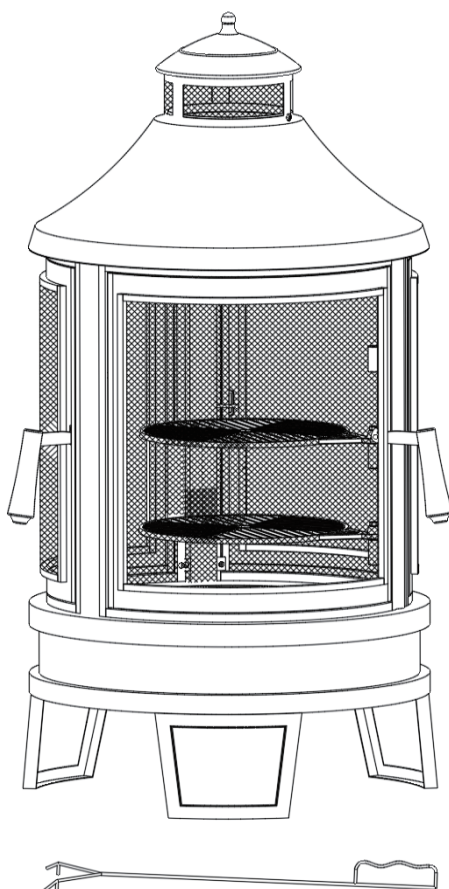


Round Wood-Fired Grill

If you have any questions about the Round Wood-Fired Grill , please feel free to contact us.

Customer Service Email: Service@alaulm.com



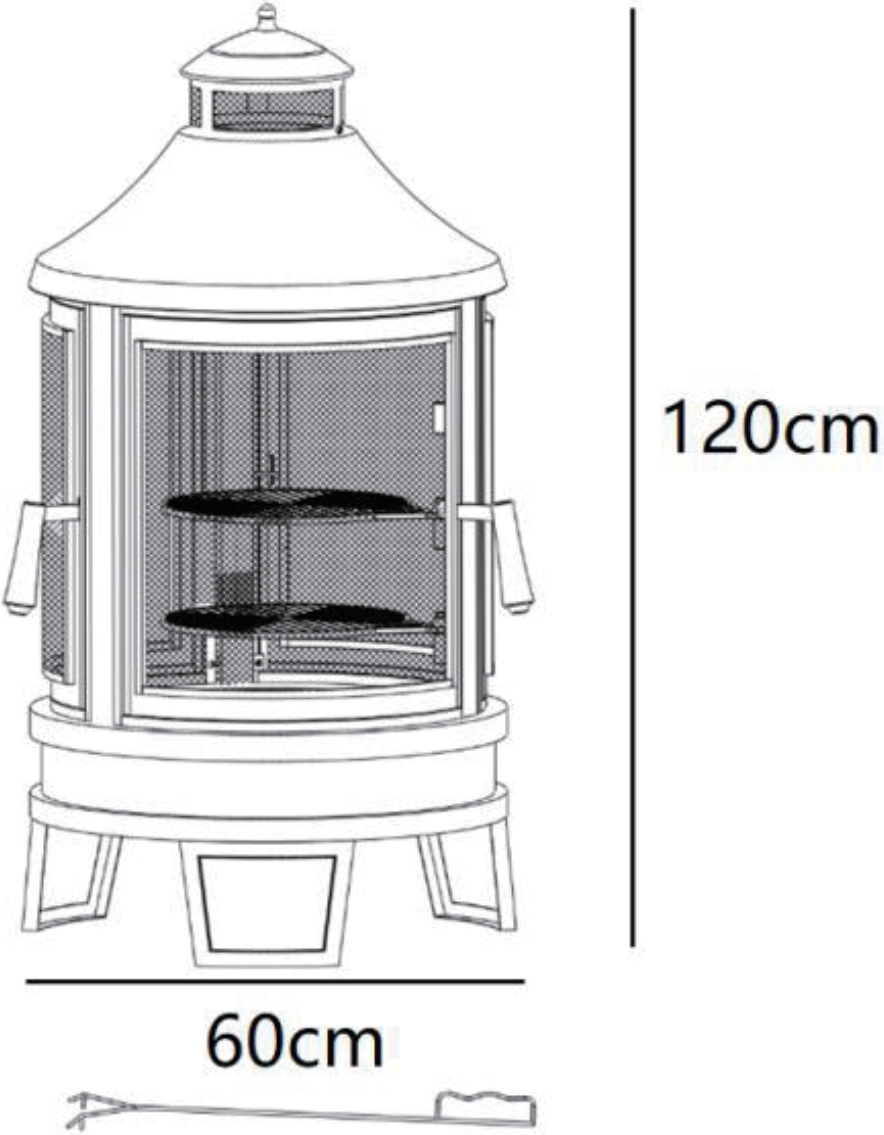
P25080-D1

IMPORTANT

PLEASE READ BEFORE YOU COMMENCE ASSEMBLY

Follow the guidelines in this user guide to ensure correct assembly and care for this product.

SPECIFICATIONS



Catalog

Specifications..... 01

Catalog..... 02

Care & Instructions 03

Part List And Screw Set List..... 04

Extra07

How to Use The **Round Wood-Fired Grill** 08



Before You Begin

Assembly Instructions:

Instructions are supplied in this manual and contain all appropriate information for your building model.

Review all instructions before you begin and during assembly, follow the step sequence carefully for correct results.

Parts and Parts List:

Check to be sure that you have all the necessary parts for building.

Separate contents of the carton by the part number while reviewing parts list.

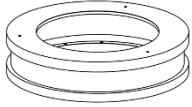

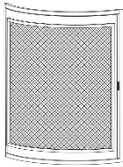




Familiarize yourself with the hardware and fasteners for easier use during construction.

The first few steps show how to join related parts which is to obtain larger sub-assemblies be used later.


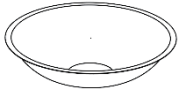




All parts are packaged within the carton.

Note that extra fasteners have been supplied for your convenience.

PART LIST






PARTS LIST			
Part	Description	Parts List	Qty
L001		Base	1
L002		Foot	3
L003		Door	3
L004		Post A	1
L005		Post B	2
L006		Chimney	1
L007		Chimney Cover	1

PART LIST





PARTS LIST			
Part	Description	Parts List	Qty
L008		Cooking Grate	2
L009		Fire Bowl	1
L010		Log Rack	1
L011		Poker	3
L012		Door Handle	3
L013		Dust Cover	1

PART LIST

Screw Set List

Part	Description	Parts List	Qty
A		Bolt M6*12	18
B		Bolt M5*10	1
C		Bolt M5*20	3
D		Wing Nut M6	6
E		Screwdriver	1

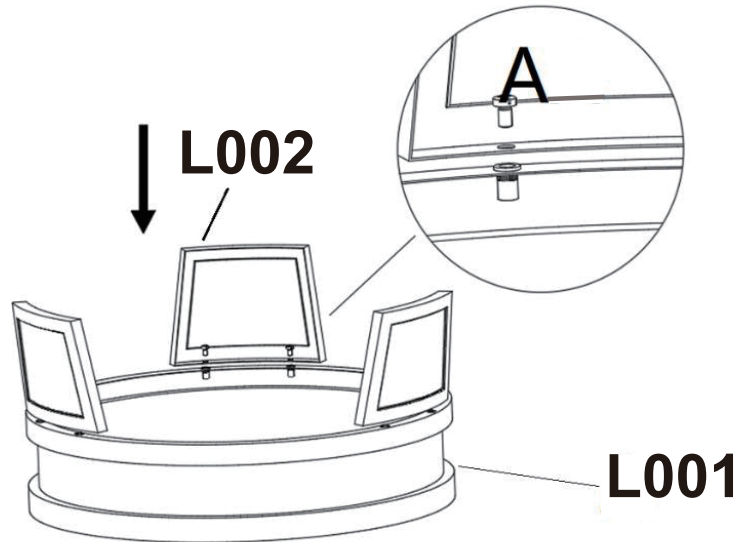
PART LIST

Extra(Screw Set List)			
Part	Description	Parts List	Qty
A		Bolt M6*12	2
B		Bolt M5*10	1
C		Bolt M5*20	1
D		Wing Nut M6	1

How To Assemble The Round Wood-Fired Grill

Step 1:

Attach the Feet(L002)to the Base(L001)using 6pcs Bolt M6*12(A)



L001X1



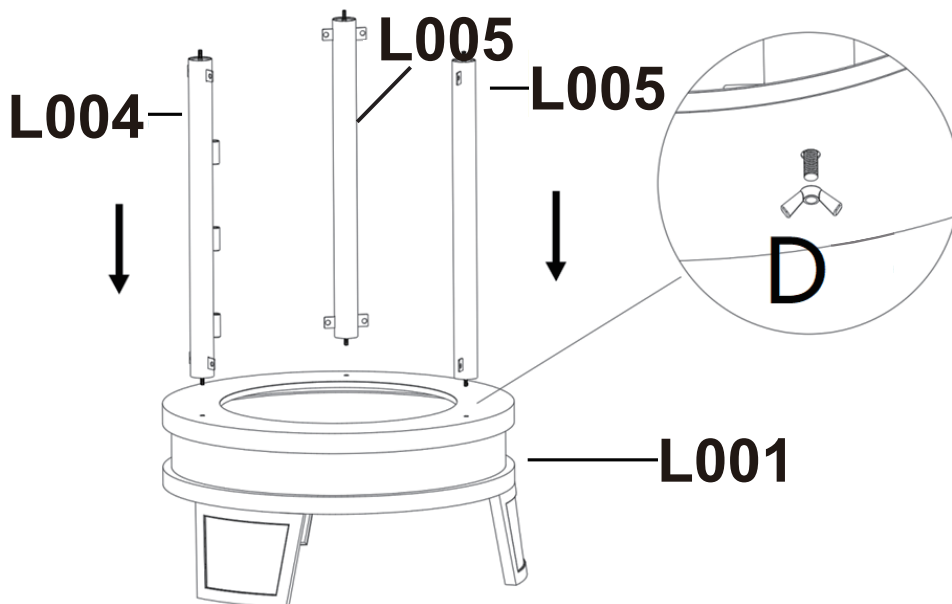
L002X3



AX6

Step 2:

Assemble Post A(L004),Post B(L005)to the Base(L001) using 3pcs Wing Nut M6(D),DO NOT TIGHTENED FIRST.



**L004
X1**

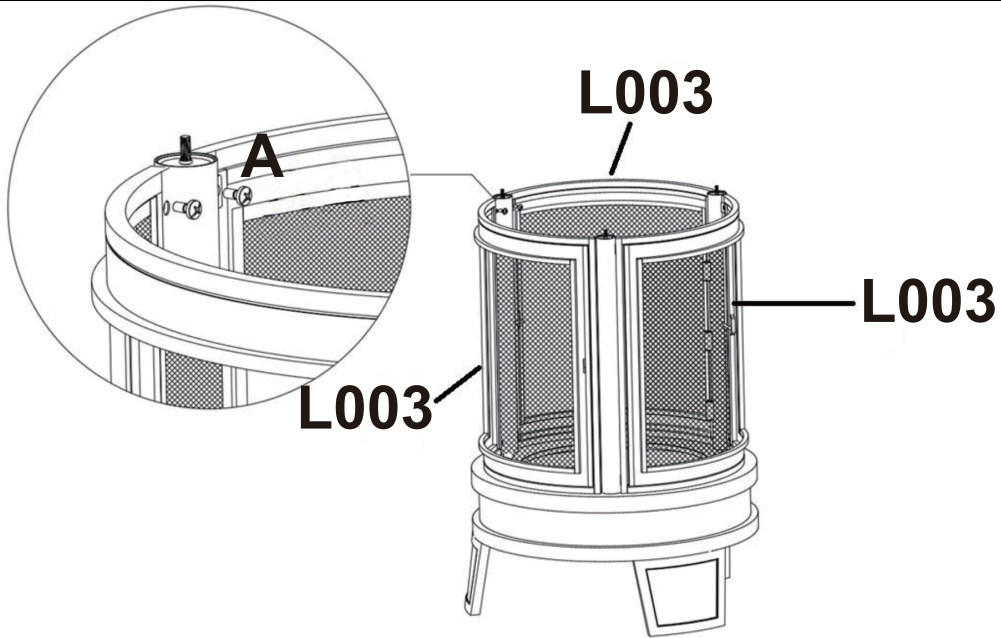
**L005
X2**

DX3

How To Assemble The Round Wood-Fired Grill

Step 3:

Assemble Door(L003) with Posts(L004,L005) together using 12pcs Bolt M6*12(A),DO NOT TIGHTENED FIRST.



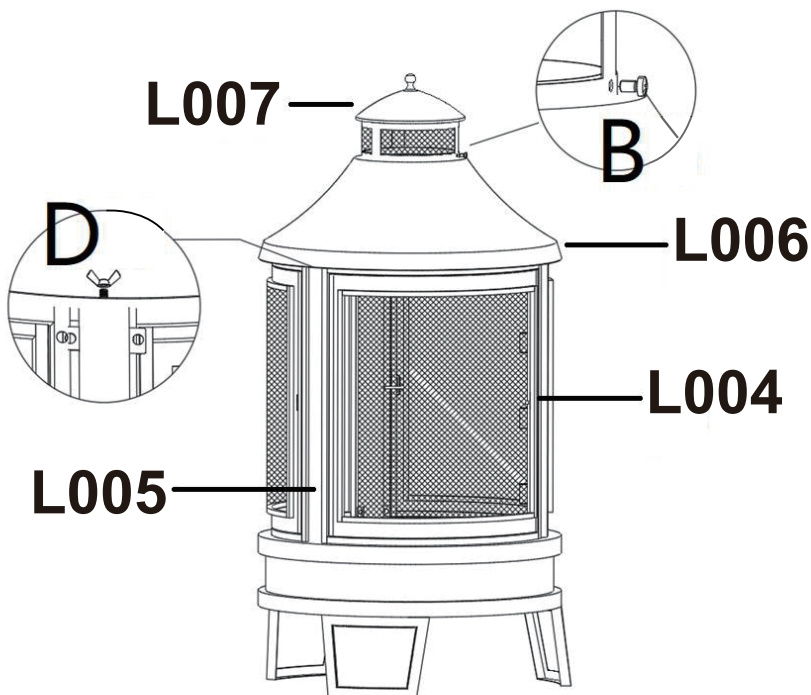
L003X3



AX12

Step 4:

Assemble Chimney(L006) with Posts(L004,L005) together using 3pcs Wing Nut M6(D) Attach Chimney Cover(L007) to Chimney(L006) using Bolt M5*10(B).



L006X1



DX3



L007X1

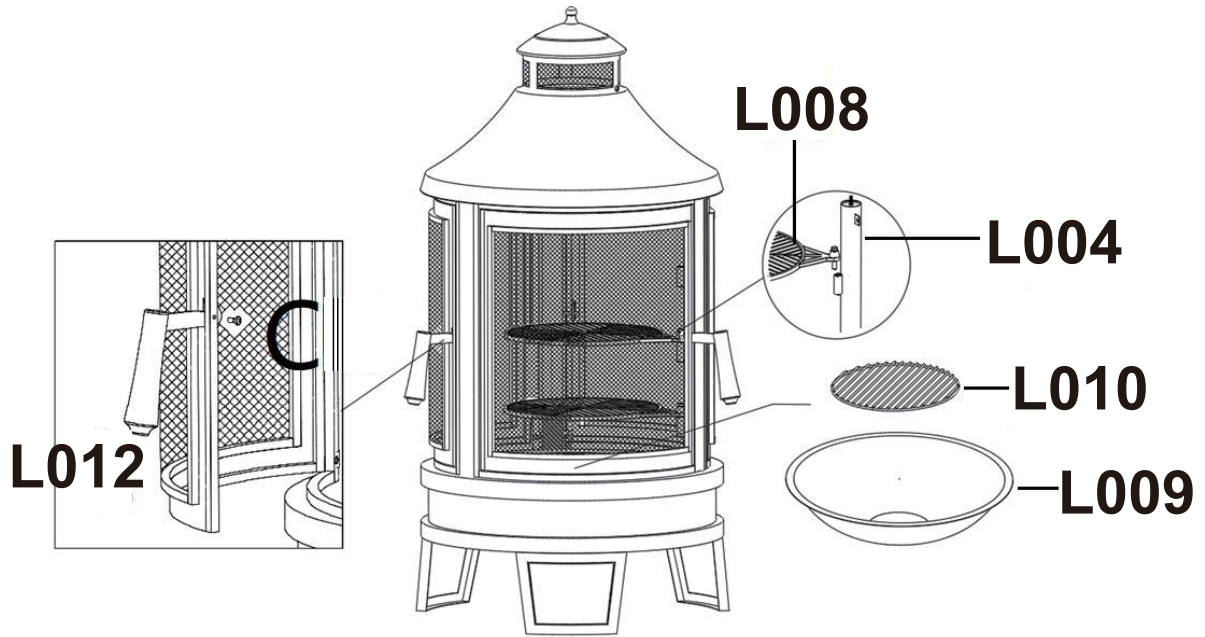


BX1

How To Assemble The Round Wood-Fired Grill


Step 5:

Attach the Door Handle(L012) to the doors with bolt M5*20 (C),Insert the Cooking Grates(L008) into the Post A(L004), put the Fire Bowl(L009) in the base and Log Rack(L010)in the Fire Bowl .




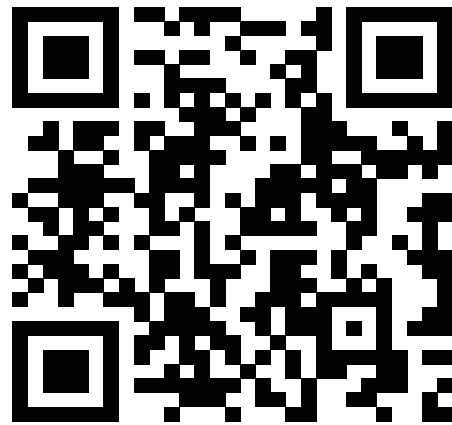
 **L012**
X3

 **CX3**


L008X2


L009X1


L010X1



www.alaulm.com

Make your life much better.