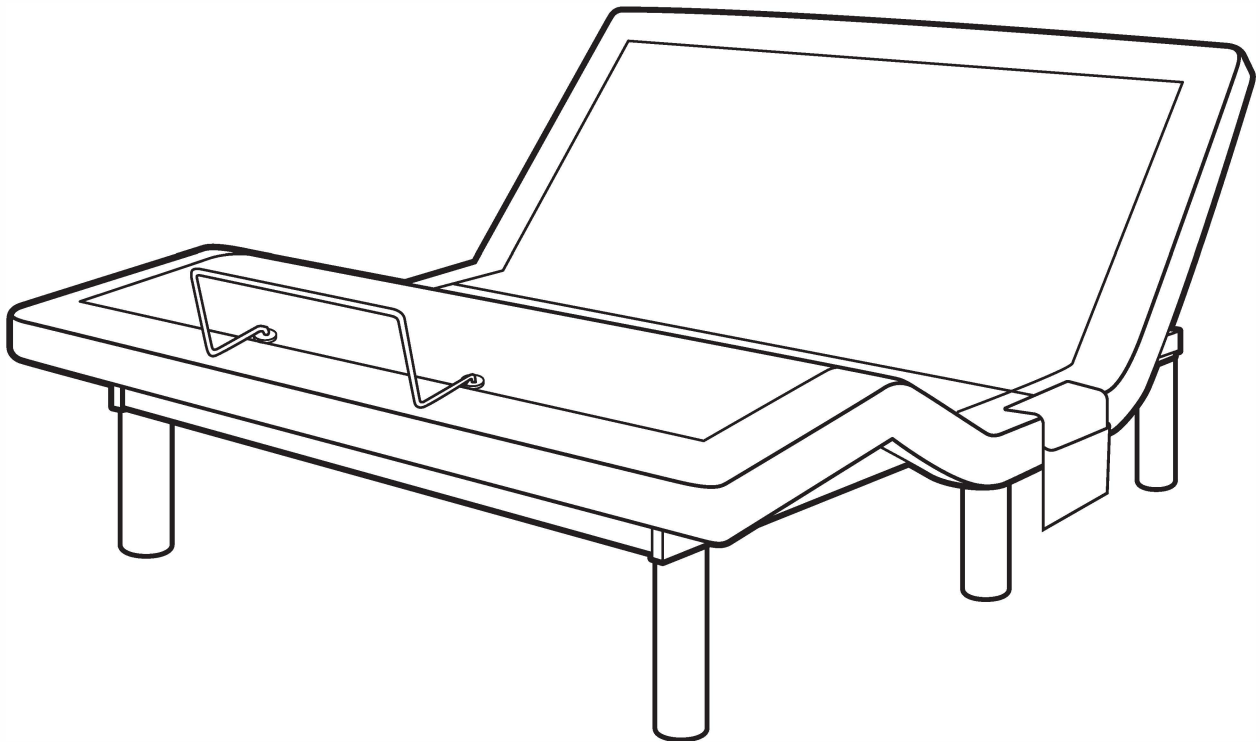


INSTRUCTION MANUAL

Adjustable Bed Base



IMPORTANT SAFETY INFORMATION

For your safety, please read all instructions carefully before using this adjustable bed base. Save these instructions for future reference.

WARNING

TO REDUCE THE RISK OF BURNS, FIRE, ELECTRIC SHOCK, OR OTHER PERSONAL INJURY:



The product is intended for indoor use only. The product must be assembled and used in accordance with the provisions of the manual. Personal injury and/or damage to the product may occur if products are used outside of their intended purposes and/or if products have been changed/modified from their original design. The seller does not assume any responsibility or liability with respect to any injury/damage caused by incorrect assembly or improper use.



Do not operate this bed if it has a damaged cord or plug, if it is not working properly, if it has been dropped or damaged, or if it has been submerged in water. Please contact customer service for further assistance.



- Unplug from outlet before installing, removing parts, cleaning or servicing.
- Remember to turn all controls to the OFF position before unplugging.



- Close supervision is necessary when the bed is used by or near children or disabled persons.
- DO NOT allow any person or pet under the bed at any time.



Keep the product away from fire sources and high temperatures. DO NOT expose the product to direct sunlight.

DO NOT place any hot objects on the surface of the product.



DO NOT operate where aerosol (spray) products are being used or where oxygen is being administered.



Exercise extra caution when handling liquids in or around the bed. In case of spillage, immediately stand in a dry, clean area of the floor and unplug the bed. Clean up spill and allow the area around bed to dry thoroughly before using the electric controls again. DO NOT eat or drink hot liquids while operating the bed.



Never operate the bed with the air openings blocked. Keep the air openings free of lint, hair, and other obstructions.

SAVE THESE INSTRUCTIONS

WEIGHT LIMITS

- The recommended weight limit for this bed base is 750 lbs / 340kg. The bed will structurally support this weight, provided it is evenly distributed across the foundation. The power foundation is not designed to support or lift this amount in the head or foot sections alone. Exceeding this weight restriction could damage the bed and/or cause injury and will void the warranty.

WARRANTY WARNING

- Any opening or tampering with the control box, motors, or hand controls (with the exception of the battery compartment if equipped) will void the warranty.

PRODUCT RATING

- The motors are not designed to operate continuously for more than [2] minutes in a [20] minute time period or approximately 10% duty cycle. Attempting to circumvent or exceed this rating will shorten the life expectancy of the foundation and may void the warranty.

OPERATING INFORMATION

- After foundation assembly is complete, operate remote control to ensure the bed is functioning properly.
- Keep moving parts free of obstruction during bed operation. This includes sheets, clothing, tubing, wiring, and electrical power cords.
- Distribute body weight evenly over the bed surface. Do not place entire weight on head or foot sections of the bed, even while repositioning, entering, or exiting the bed.

HOSPITAL USE DISCLAIMER

- This bed base is NOT designed for hospital use and does NOT meet hospital standards.

RADIO FREQUENCY: 2.4 GHz

FCC COMPLIANCE:

This device complies with Part 15 of the FCC Rules. Operation is subject to the following two conditions: (1) This device may not cause harmful interference, and (2) this device must accept any interference received, including interference that may cause undesired operation.

To comply with the FCC RF exposure requirements, no change to the antenna or the device is permitted. Any change to the antenna or the device could result in the device exceeding the RF exposure requirement and void user's right to operate the device.

Specifications



Power Input
DC 29V=1.8A



Head
Motor Thrust
6000N



Foot
Motor Thrust
3000N



Operating Noise
<43dB



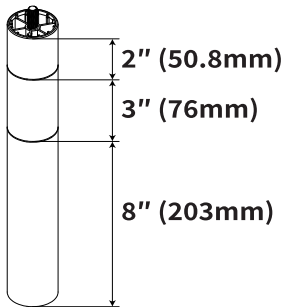
2 Person
Assembly



Max. Load
750 lbs / 340kg

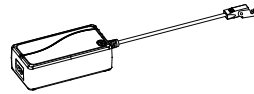
Standard Parts List

Before disposing of the packaging materials, make sure all components are installed. Components are typically located in boxes under the bed base or attached to the frame.



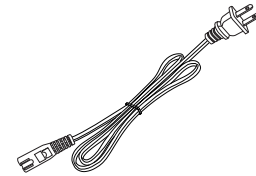
Bed Leg

A x 6



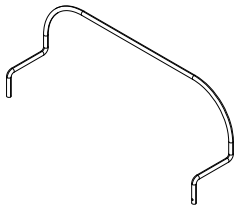
Power Supply
(29V 1.8A)

B x 1



AC Power Cord

C x 1



Mattress Retainer Bar

D x 1



Remote Control

E x 1

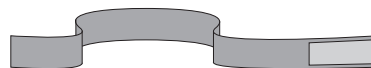


AAA
Batteries

Optional Accessories

NOTE!

You will need this strap if you have two Twin XL bases.

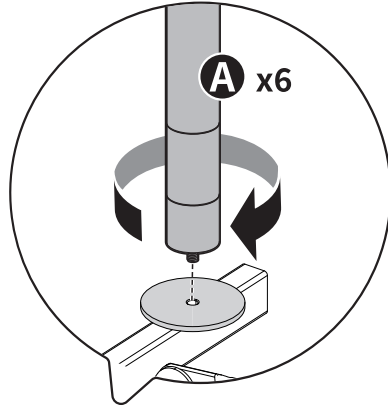


Bed Leg Strap

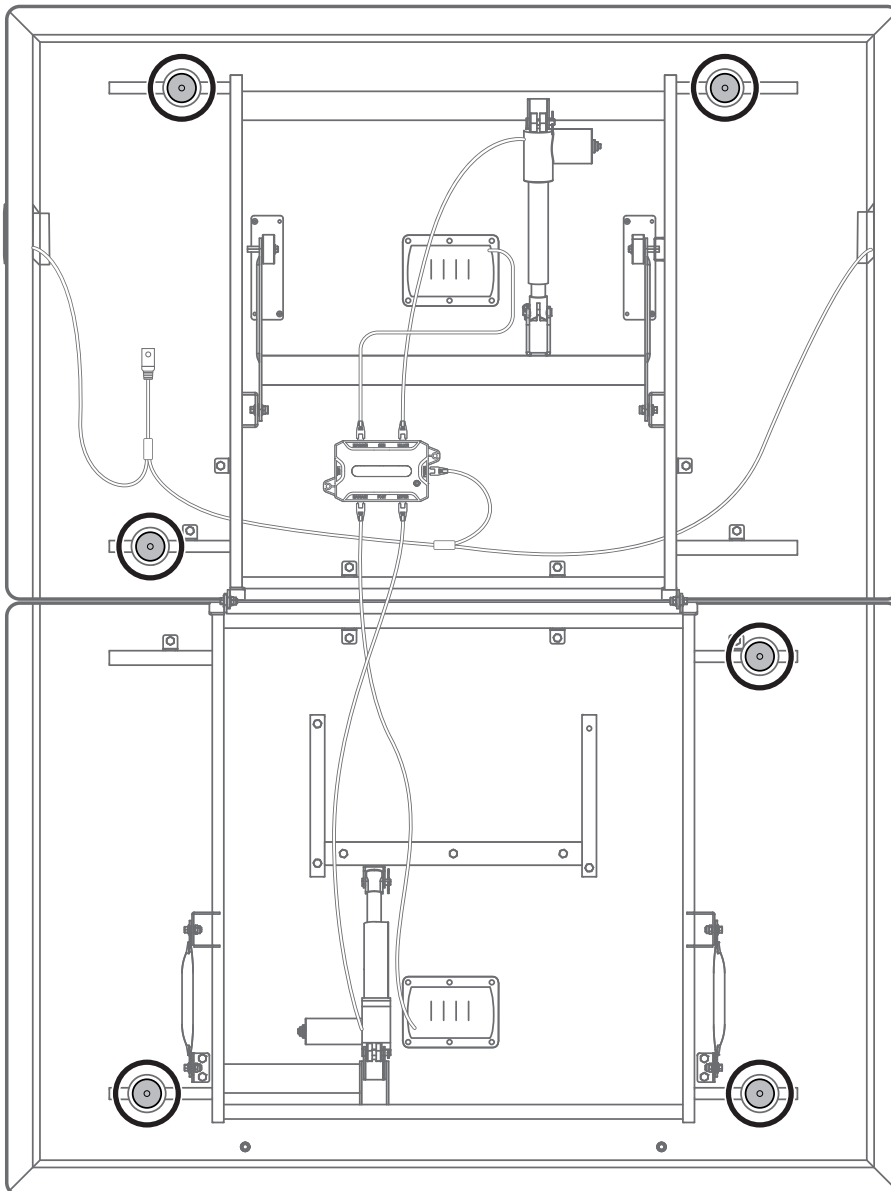
F x 1

1 Attaching the Bed Legs

Hand tighten the six legs [A] by threading them clockwise into the pre-threaded holes on the bed base.

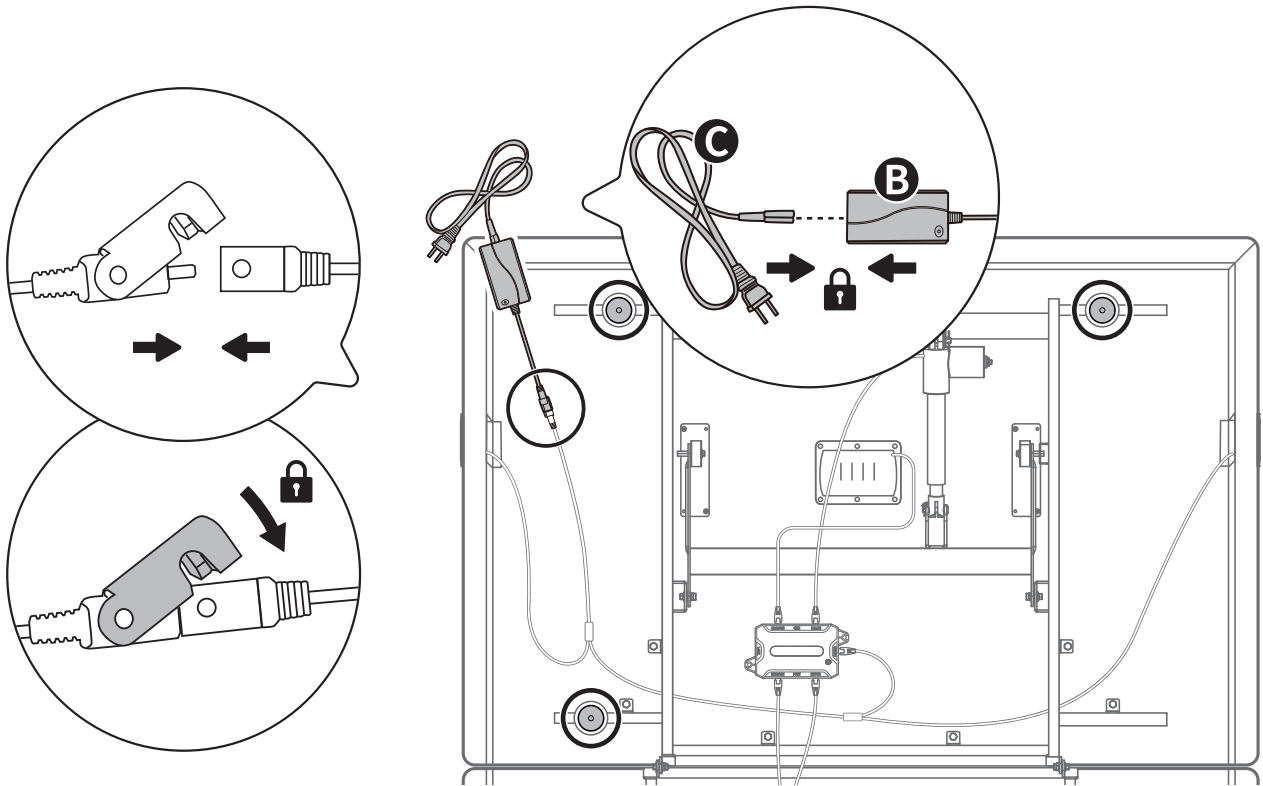


NOTE: Each leg is comprised of 3 sections to provide multiple height configurations. Attach the legs according to your desired height before attaching to the base.



2 Setting up the Electronics

Plug the AC power cord [C] into the power supply [B], then connect it to the wire harness located underneath the bed.

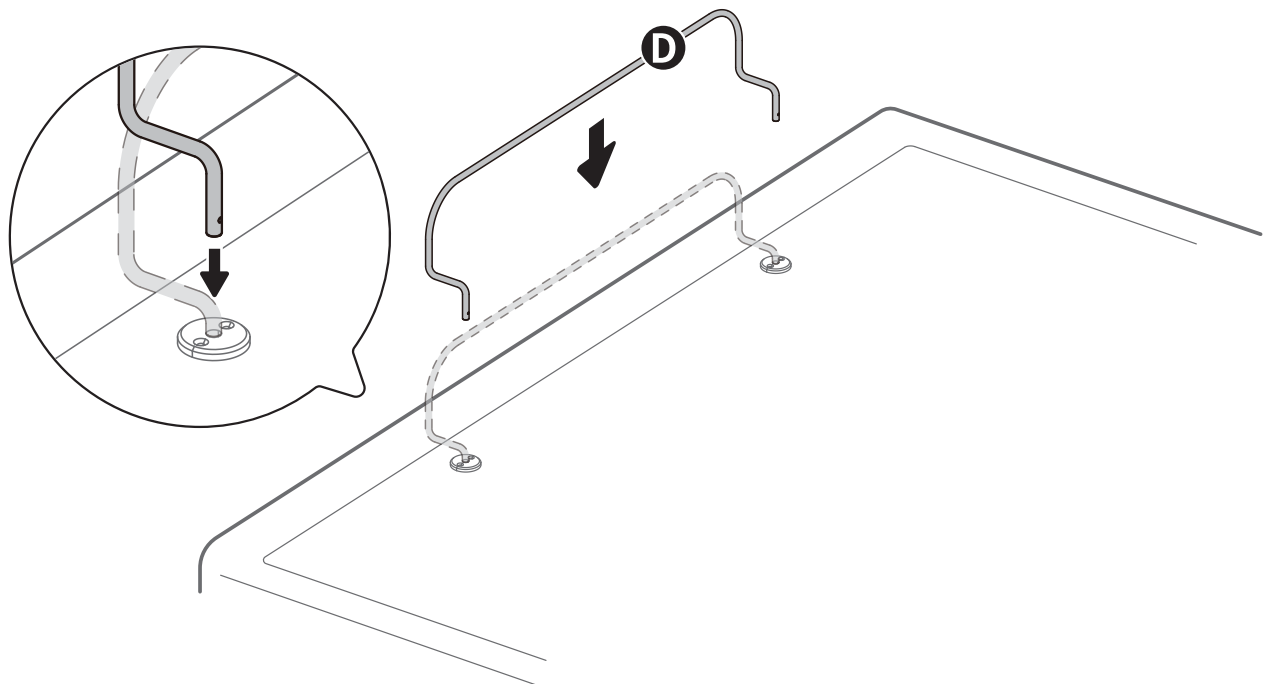


3 Inserting the Mattress Retainer Bar

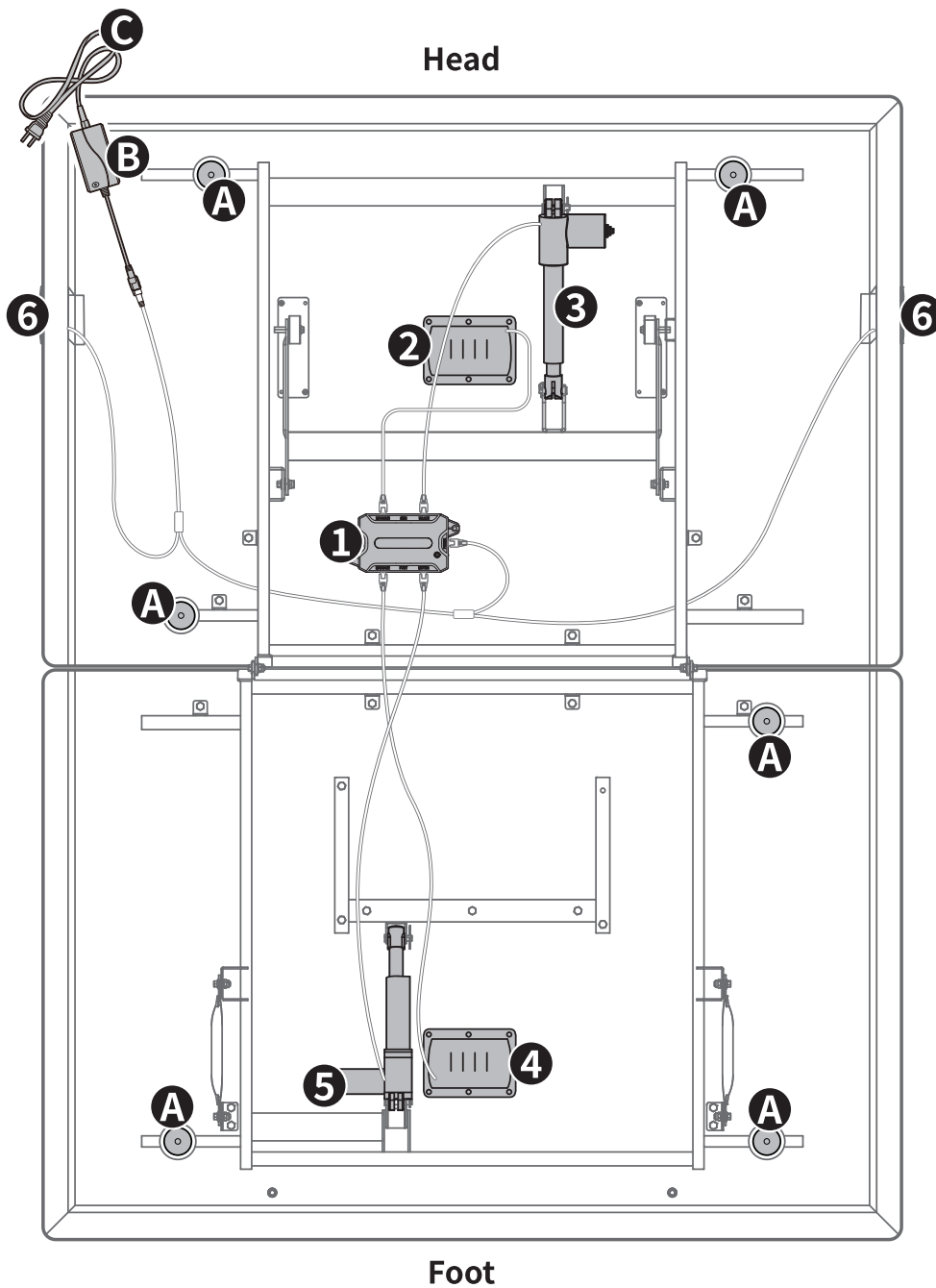
Flip the bed base over. Insert the mattress retainer bar [D] into the holes at the footboard, then plug in the power cord.



HEAVY! You may need assistance with this step.



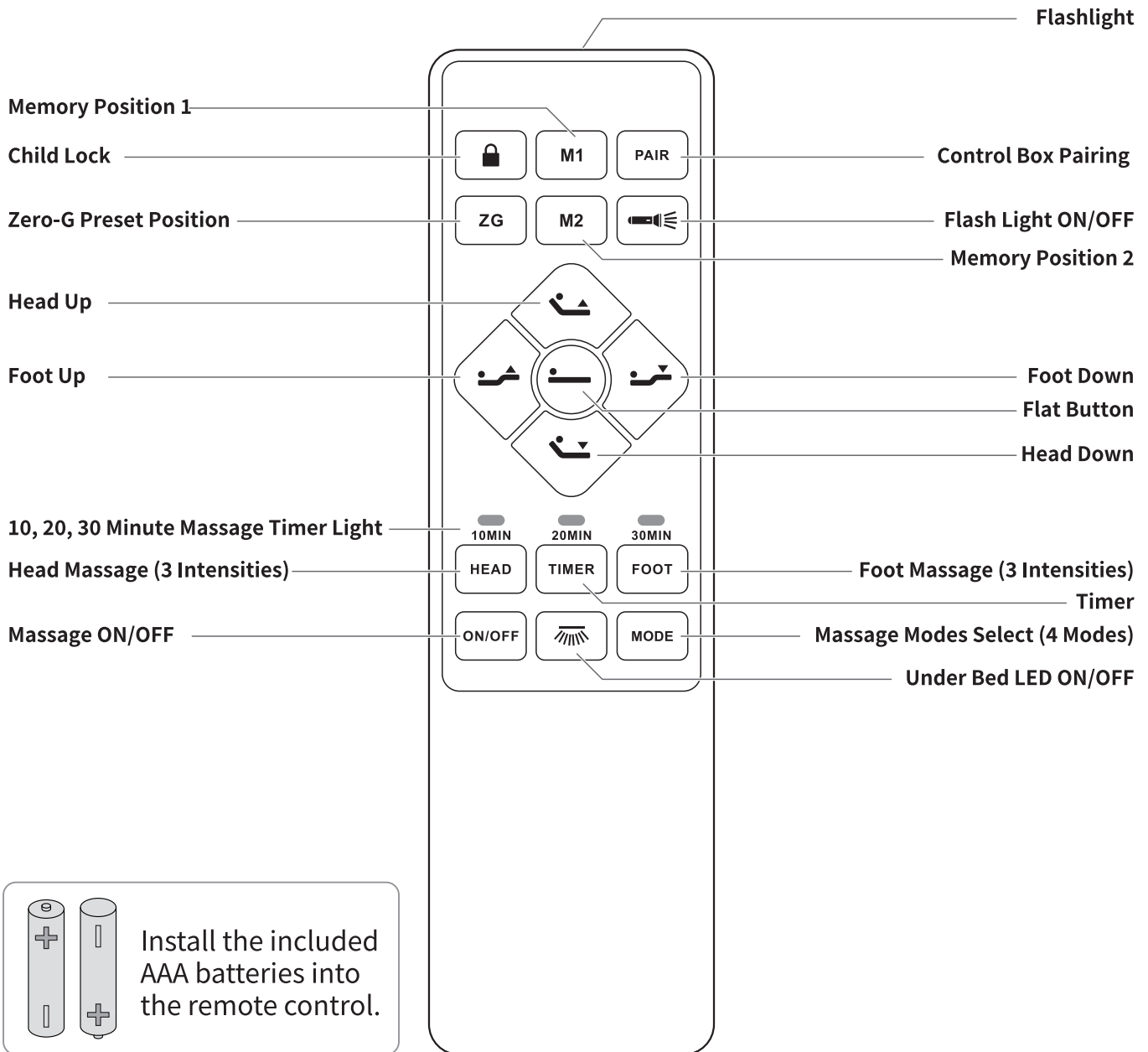
DIAGRAM



- 1 Control Box + LED Lights
- 2 Head Massage Motor
- 3 Head Motor
- 4 Foot Massage Motor
- 5 Foot Motor
- 6 USB Ports

- A Leg
- B Power Supply
- C AC Power Cord

REMOTE CONTROL




Remote Control and Control Box Pairing

1. Plug the bed into a power outlet. The control box will detect power and position the head and the foot sections. The box beeps once and the indicator flashes, indicating the control box has entered pairing mode.
2. Press and hold the **PAIR** button for 3 seconds. A notification will sound and the remote control backlight will flash until stays illuminated, indicating the remote control has been successfully paired with the control box.

Button Operation and Function

Pair Button

When the control box enters pairing mode, press and hold the  button to pair with the remote control. Pairing is successful when the backlight illuminates. Otherwise, the backlight will turn off.

Head Adjustment

Press and hold to raise or lower the HEAD section.


Leg Adjustment

Press and hold to raise or lower the FOOT section.


Flat Button

Press to lower the HEAD and the FOOT sections.


Zero-G Preset Position

Press once to adjust the bed to the Zero-G preset position. To change this preset position, press and hold the  button for 3 seconds. The backlight will flash and the current position will be stored to the Zero-G preset memory.

Memory Position 1

Press once to adjust the bed to the M1 position. To change this preset position, press and hold the  button for 3 seconds. The backlight will flash and the current position will be stored to the M1 memory.

Memory Position 2

Press once to adjust the bed to the M2 position. To change this preset position, press and hold the  button for 3 seconds. The backlight will flash and the current position will be stored to the M2 memory.

Flash Light ON/OFF

Press and hold this button to turn the flashlight on. Release to turn the flashlight off.

Child Lock

1. Press this button for 3 seconds. The blue backlight flashes, confirming that the remote control is locked. In this case, pressing any button will cause the backlight to flash but no functions will be activated.
 2. To deactivate the child lock, press this button again for 3 seconds until the backlight flashes.
-

Message ON/OFF

Press this button to turn the head and foot massage functions on or off.

Message Modes Select

Press this button to switch between 4 massage modes.

Head Massage

Press this button to switch between 3 massage intensities for head massage.

Foot Massage

Press this button to switch between 3 massage intensities for foot massage.

Massage Timer

Press this button to switch between 3 massage duration times.

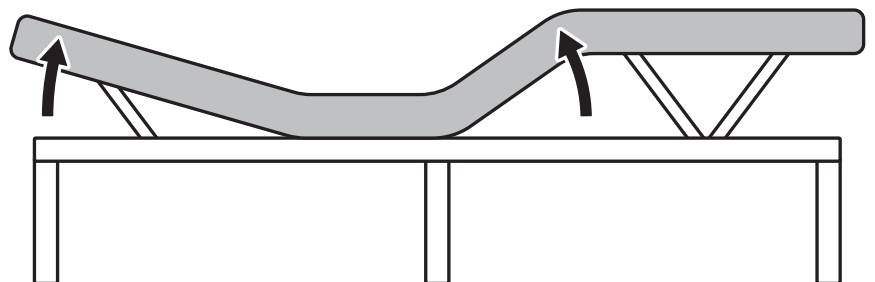
Under Bed Lighting

Press this button to turn the under bed LED light on or off.

PRESET POSITIONS

ZERO GRAVITY (ZG) Preset Position:

Head Angle	18°
Foot Angle	40°







SETTINGS



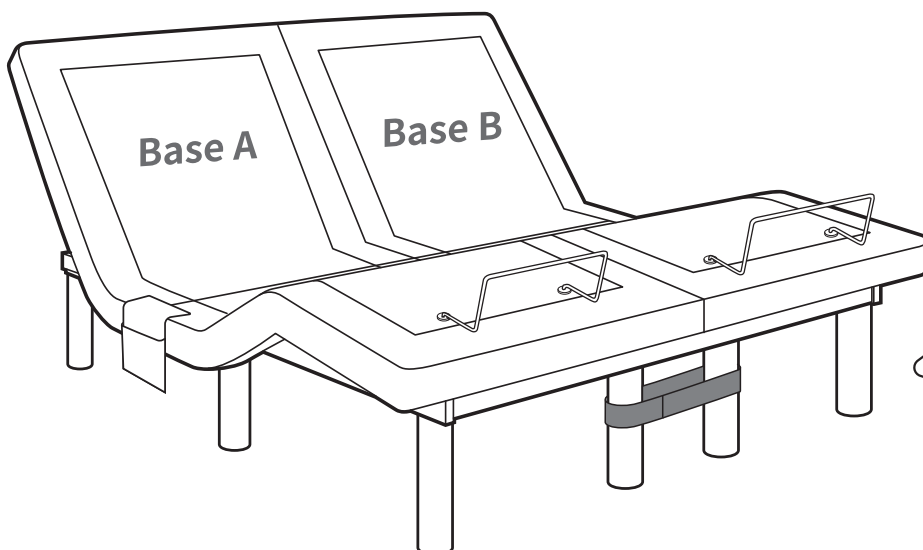
Tip:

When pressing any button, the remote control backlight will illuminate for 5 seconds, then turn off.

<p>How to control two beds at the same time with the same remote control</p>	<ol style="list-style-type: none"> 1. Follow Remote Control and Control Box Pairing on Page 07 to pair the remote control and the control box of the first bed. 2. Follow Step 1 for Remote Control and Control Box Pairing on Page 07 to enter the second control box into pairing mode. Press and hold  and  buttons together for 3 seconds. A notification will sound, indicating the remote control has been successfully paired with the control box of the second bed.
<p>Unpair Remote Control from One Bed</p>	<ol style="list-style-type: none"> 1. Follow Step 1 for Remote Control and Control Box Pairing on Page 07 to enter the control box into pairing mode. 2. Press and hold  and  buttons together for 3 seconds. A notification will sound, indicating the remote control has been successfully unpaired from one bed.
<p>Unpair Remote Control from Two Beds</p>	<p>After unpairing the remote control from the first bed, follow the same steps to unpair the remote control from the second bed.</p>




NOTE: Use the strap [F] to secure the bed legs (front & back) tightly. Fasten the strap to prevent movement and maintain stability.



TROUBLESHOOTING

In the event that the bed base fails to operate, assess these symptoms and possible solutions:

SYMPTOMS	SOLUTIONS
<p>Remote control illuminates but base does not move.</p>	<p>Verify that the power cord is plugged into a working, grounded electrical outlet. Test the outlet by plugging in another working appliance.</p> <p>RESET the REMOTE back to factory default settings.</p> <ol style="list-style-type: none"> 1. Press and hold the  + ZG buttons for 3 seconds until the backlight flashes. The ZG / M1 / M2 3 memory positions will be restored to the factory default settings. 2. All customized settings on the remote control and the control box are now cleared or returned to the factory default settings.
<p>A clicking noise is heard under the bed when raising or lowering.</p>	<p>This is normal. The lift motor relays “click” when they are engaged. No action is required.</p>
<p>No features of the bed base can activate.</p>	<ol style="list-style-type: none"> 1. Program the remote control. Please see the Remote Control and Control Box Pairing section on Page 07 of this manual. 2. To reset electronic components, unplug the power cord, wait 30 seconds, then plug it back in. 3. The surge protection device or the electrical outlet may be defective. 4. Test the outlet by plugging in another working appliance. 5. Verify that the power supply cable is securely connected to the wire harness underneath the bed base.
<p>Remote control does not illuminate.</p>	<p>Replace the batteries in the remote control.</p>

<p>Remote control is unresponsive.</p>	<ol style="list-style-type: none"> 1. Remote control pairing: Press and hold the PAIR key for about 3 seconds. The buzzer sounds once, and the remote control backlight flashes, indicating that the remote control is successfully paired with the control box. 2. Restore factory default settings: Press and hold the ⏪ + ZG keys for 3 seconds at the same time until the backlight flashes, and the control box memory positions are restored to the factory setting position.
<p>Head or foot section can elevate, but can't return to the flat position.</p>	<ol style="list-style-type: none"> 1. Bed mechanism may be obstructed. Elevate bed and check for obstruction. Remove obstruction. 2. Head section may be too close to the wall. 3. Headboard may be too close to the edge of the mattress. Verify that there is enough distance between the headboard brackets and mattress. Adjust if required.
<p>Head & Foot lift function suffers interference during operation.</p>	<ol style="list-style-type: none"> 1. Check batteries in remote control. Replace with two new AAA batteries if necessary. 2. Press the lift buttons squarely and accurately. 3. Remote control may be experiencing common Radio Frequency Interference from other radio transmitting devices. Wait several seconds, then try pressing the button again. See FCC Compliance Statement on Page 02 of this manual.
<p>Remote Control Mutual Learning</p>	<p>To use multiple remotes to control the same bed or two beds, simply set one remote as the master remote controller and other remotes can learn from this master remote controller.</p> <ol style="list-style-type: none"> 1. Remove the battery covers of the two remotes and get access to the square button (referred to as the back button). 2. Press twice the back button of the remote that you want to set as the sub-remote. The button light remains illuminated. 3. Press and hold the back button of the master remote controller for 3 seconds. The button light will flash until it remains illuminated. Then the sub-remote button light will go out, indicating that mutual learning is complete. If the master remote button light goes out, try again to set mutual learning.

**Cancel Remote
Control Mutual
Learning**

1. Refer to SETTINGS on page 10 to unpair the master remote from the control box. Two remotes should be unpaired from the control box.
2. Refer to Remote Control and Control Box Pairing on page 07 to pair one remote with the control box, indicating only one remote can control the bed.