

### PRODUCT SPECIFICATIONS

Elkay Crosstown® 16 Gauge Stainless Steel, 23-1/2" x 18-1/4" x 10" Single Bowl Undermount Sink Kit. Sink is manufactured from 16 gauge 304 Stainless Steel with a Polished Satin finish, Rear Center drain placement, and Sound Guard.

<b>Installation Type:</b>	Undermount
<b>Material:</b>	304 Stainless Steel
<b>Finish:</b>	Polished Satin
<b>Gauge:</b>	16
<b>Sound Deadening:</b>	Sound Guard
<b>Number of Bowls:</b>	1
<b>Sink Dimensions:</b>	23-1/2" x 18-1/4" x 10"
<b>Bowl 1 Dimensions:</b>	21" x 15-3/4" x 10"
<b>Drain Size:</b>	3-1/2" (89mm)
<b>Drain Location:</b>	Rear Center
<b>Minimum Cabinet Size:</b>	27"
<b>Mounting Hardware:</b>	Part # 54300008 included
<b>Template Included:</b>	Yes
<b>Cutout Template #:</b>	<a href="#">1000001403</a>

Template is available for download at [elkay.com](#)

**Special Note:** Zero radius sinks feature straight sidewalls and tight corners.



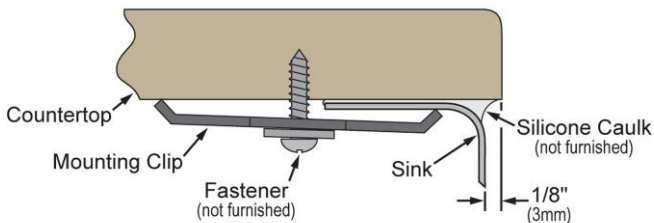
**Included with Product:** EFU211510 sink, LKFOBG2115SS bottom grid, LK99 drain

AMERICAN PRIDE. A LIFETIME TRADITION. Like your family, the Elkay family has values and traditions that endure. For almost a century, Elkay has been a family-owned and operated company, providing thousands of jobs that support our families and communities.

**Product Compliance:** ASME A112.19.3/CSA B45.4  
**Accessory:** ASME A112.18.2/CSA B125.2

### Installation Profile:

1/8" OVERHANG

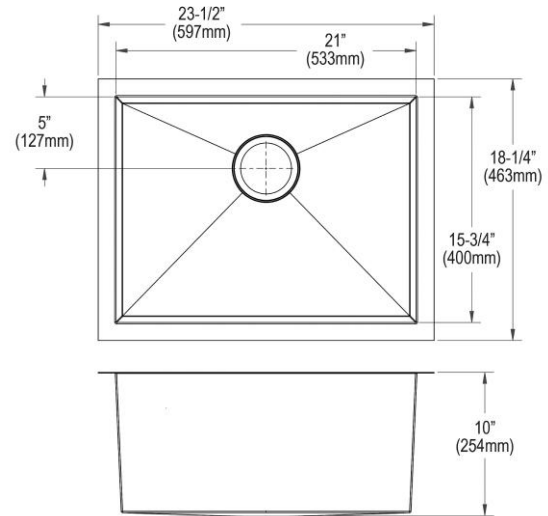


Designed to affix to the underside of any solid surface countertop.

### OPTIONAL ACCESSORIES

<b>Cutting Board:</b>	LKCBF2115HW
<b>Faucet:</b>	LKAV1031, LKAV2031
<b>Rinsing Basket:</b>	LKWERBSS
<b>Soap Dispenser:</b>	LKAV3054

[Clean and Care Manual \(PDF\)](#)  
[Installation Instructions \(PDF\) - 74180164](#)  
[Installation Instructions \(PDF\) - 74210010 Drain](#)  
[Limited Lifetime Warranty \(PDF\)](#)



PART: \_\_\_\_\_ QTY: \_\_\_\_\_

PROJECT: \_\_\_\_\_

CONTACT: \_\_\_\_\_

DATE: \_\_\_\_\_

NOTES: \_\_\_\_\_

APPROVAL: \_\_\_\_\_

In keeping with our policy of continuing product improvement, Elkay reserves the right to change product specifications without notice. Please visit [elkay.com](#) for the most current version of Elkay product specification sheets. This specification describes an Elkay product with design, quality, and functional benefits to the user. When making a comparison of other producers' offerings, be certain these features are not overlooked.