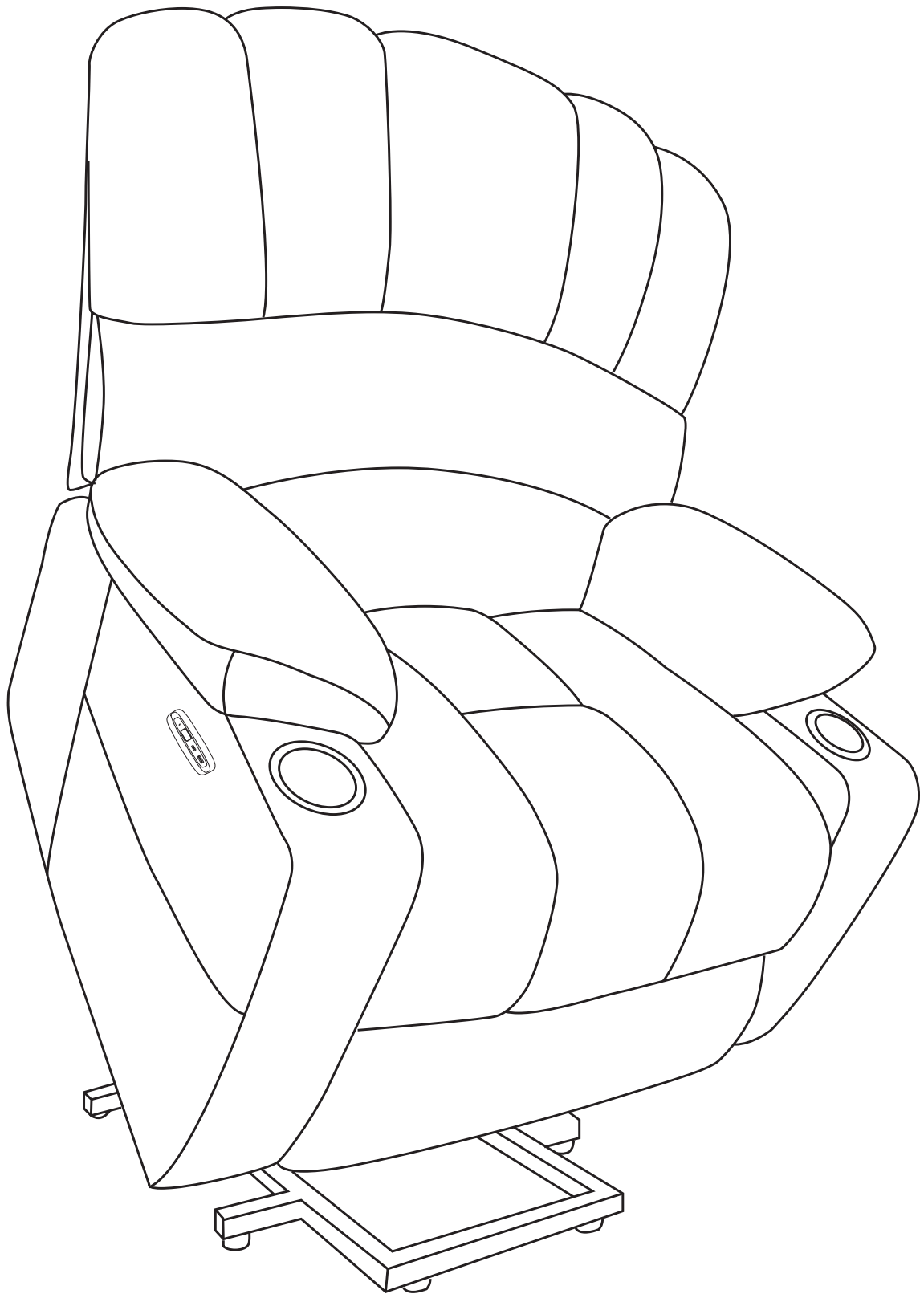


# POWER LIFT CHAIR



# PRE-ASSEMBLY INFORMATION



**TWO PERSON ASSEMBLY**



**UP TO 30 MINUTES FOR ASSEMBL**



**WEIGHT LIMITATION:330LBS**



**VACUUM COMPRESSION**

Thank you for choosing our products. When ensuring the safe and satisfactory use of this product, please carefully read the following instructions before operation.

## HOW MANY PACKAGES INCLUDED?

1 BOX

## ASSEMBLY REQUIREMENT

2 PERSON ASSEMBLY

30 MINUTES ASSEMBLY(APPROXIMATE)

## ASSEMBLY PREPARATION

1. Remove all packaging materials, hardware and parts from the carton.
2. Refer to Parts List and ensure they are complete before you start assembling.
3. Place all components on a clean, flat and soft surface (eg. carpet or rug) to prevent parts from getting scratched.

## CATALOG

1.FAQ.....	1
2.Parts List.....	2
3.Fluffy Instructions.....	3
4.Assembly Steps .....	4
5.Wires Connection.....	8
6.Instructions for Use.....	9
7.How to Operate the Control Panel.....	10
8.How to Use Remote Control.....	11
9.How to Use Charging Port.....	11
10.How to Replace Control Board?.....	12

# FAQ

## Q1: Missing parts when received.

A: If you find some parts are missing from the box, please kindly send us messages to let us know the name of missing part regarding to the page of parts list. We will send replacement to you asap.

## Q2: Some parts damaged when arrived.

A: Please send clear photos about damaged part to us as attachment, we will check and offer you best solution soon.

## Q3: The chair is stuck on lifting or reclining position, and no response when you press the lifting or reclining button.

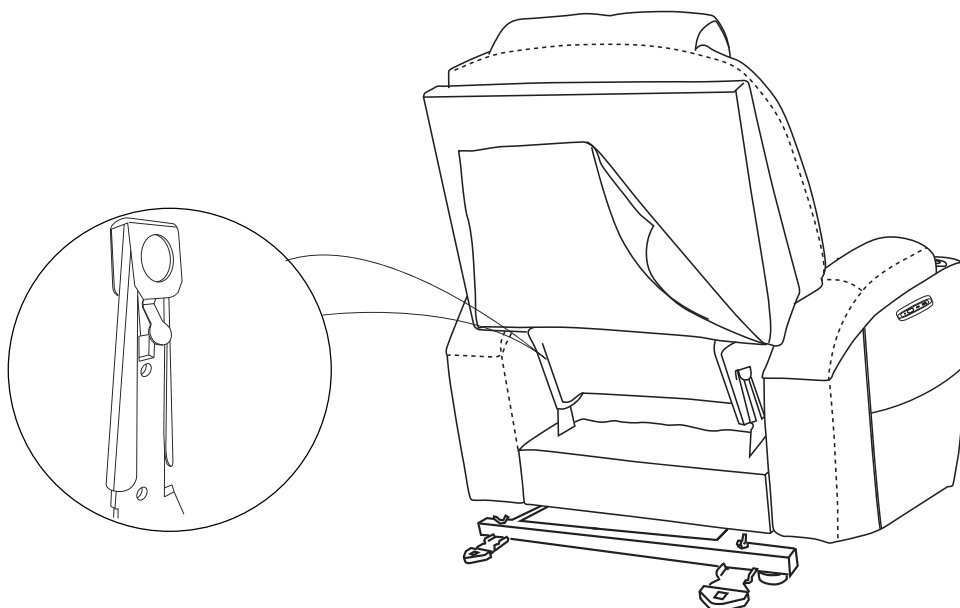
A: Please kindly check if the power cord (H) and power source (G) are connected well with lift motor. Sometimes they may fall off from the motor. Please also make sure that the signal light on the power source (G) is green.

If the connection is good and the signal light shows green at the same time, then check the lift motor if it has some anomaly, like some noise comes out when you press the lift button if you can make sure the motor is defective, please contact us for replacement.

## Q4: How to remove the chair ?

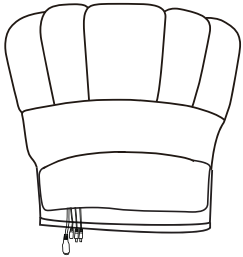
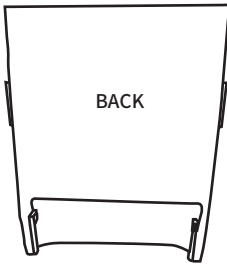
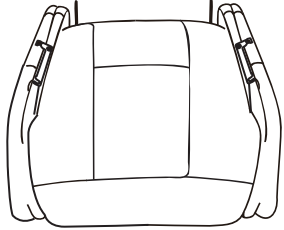
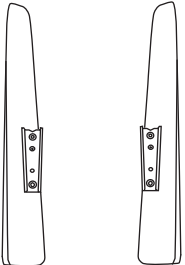
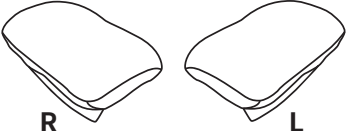
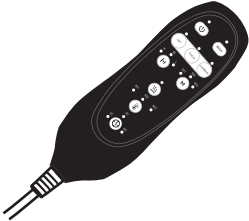
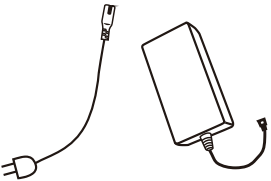
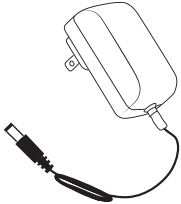
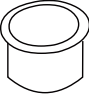
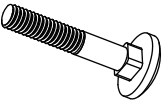
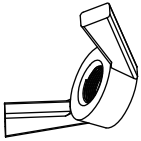
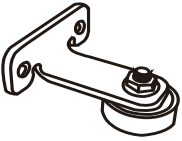
A: Please note that you need to take apart the backrest before.

There are two buckles on the left and right sides of the back of the sofa, and it is recommended that two people come to operate the disassembly. Separate the two sides of the buckle at the same time with force, while taking the backrest out of the arm.

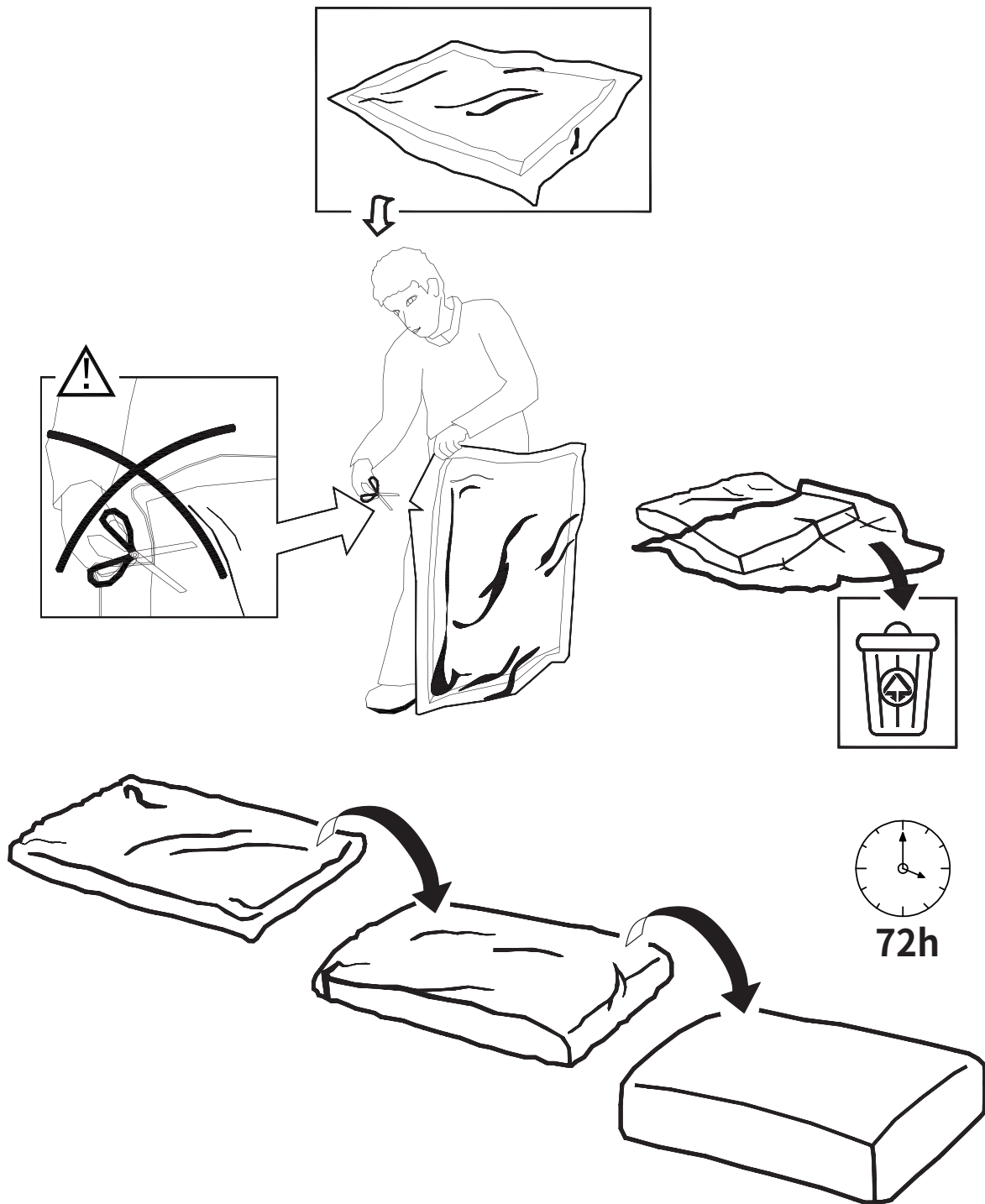


# Assembly Instruction

## Parts List

<p><b>A</b></p>  <p>Back Cushion 1pc</p>	<p><b>B</b></p>  <p>BACK</p> <p>Back Frame 1pc</p>	<p><b>C</b></p>  <p>Seat 1pc</p>
<p><b>D</b></p>  <p>L R</p> <p>Backrest Ear Part 2pcs (Placed inside the Base C)</p>	<p><b>E</b></p>  <p>R L</p> <p>Armrest pillow R&amp;L 2pcs</p>	<p><b>F</b></p>  <p>Remote Control 1pc</p>
<p><b>G</b></p>  <p>Power Source 1pc</p>	<p><b>H</b></p>  <p>Power Cord 1pc</p>	<p><b>I</b></p>  <p>Cup Holder 2pcs</p>
<p><b>J</b></p>  <p>Screw 4pcs</p>	<p><b>K</b></p>  <p>Nut 4pcs</p>	<p><b>L</b></p>  <p>Supporting foot 2pcs</p>

# Fluffy Instructions

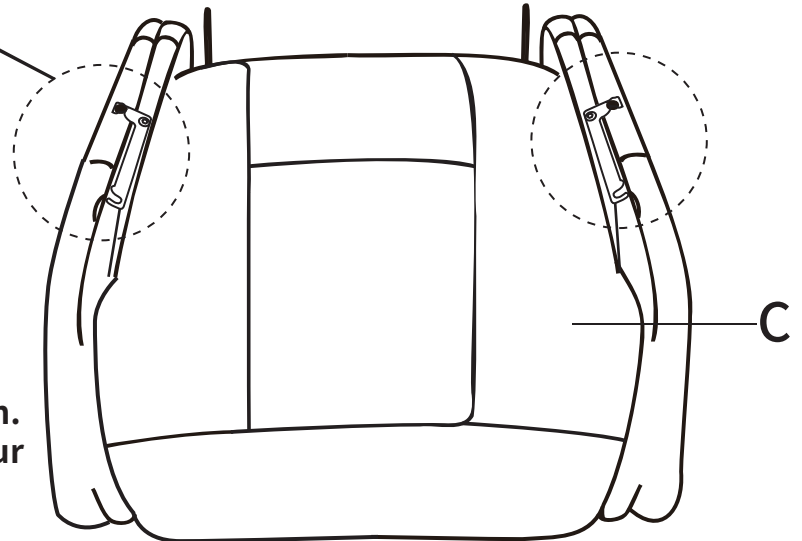
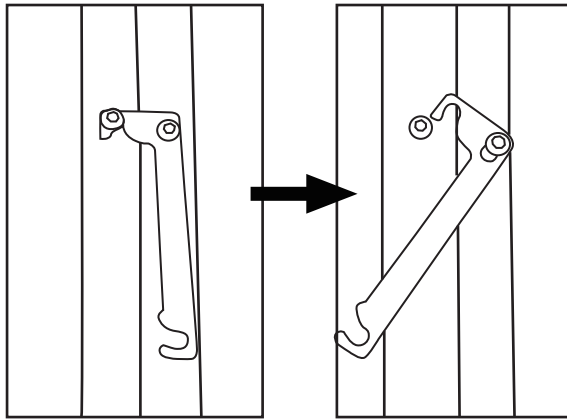
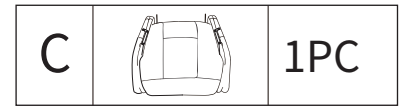


## Tips:

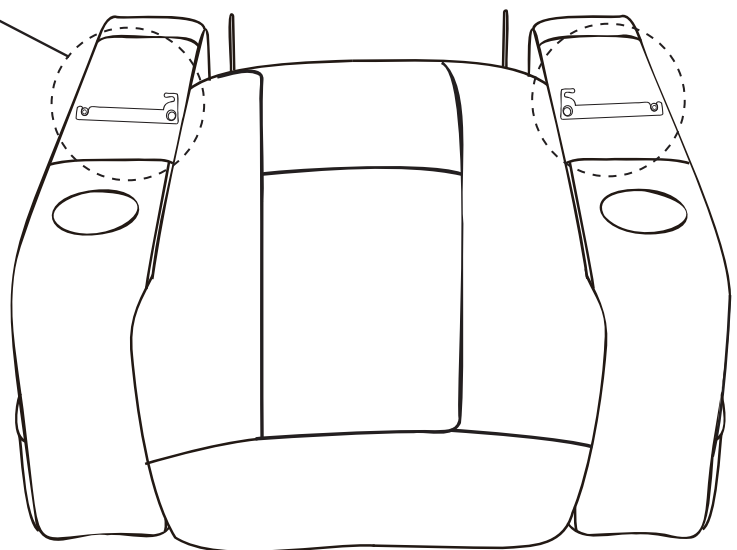
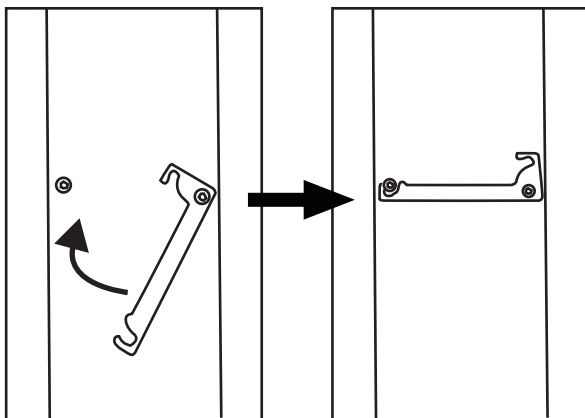
1. Please note that the backrest of the recliner is vacuum-packed to reduce the overall size of the package. Please open the plastic bag with caution to avoid damaging the upholstery of chair.
2. It's normal phenomenon that the backrest looks a little deflated when taken out of the bag. The condition will improve in 24-72 hours. You may also expedite the recovery speed by tapping and squeezing the backrest.

# Assembly Steps

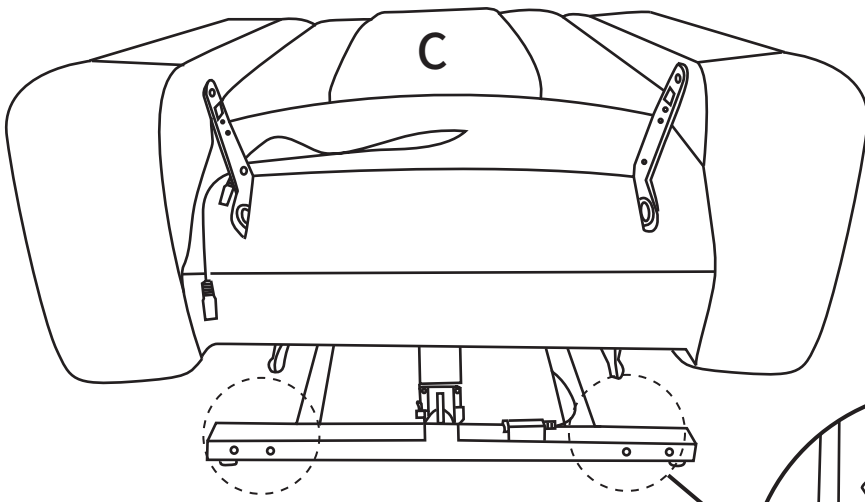
**STEP 1:** Open the locked iron frame, rotate it 90° outward, pull the folded armrests outward, and fix it with the iron frame.



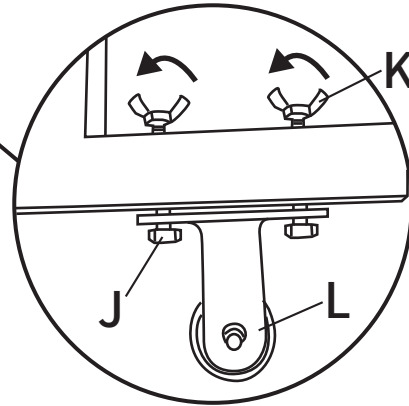
**Note:** After opening the iron frame, the armrest will automatically pop open. Please pay attention to the safety of your hands.



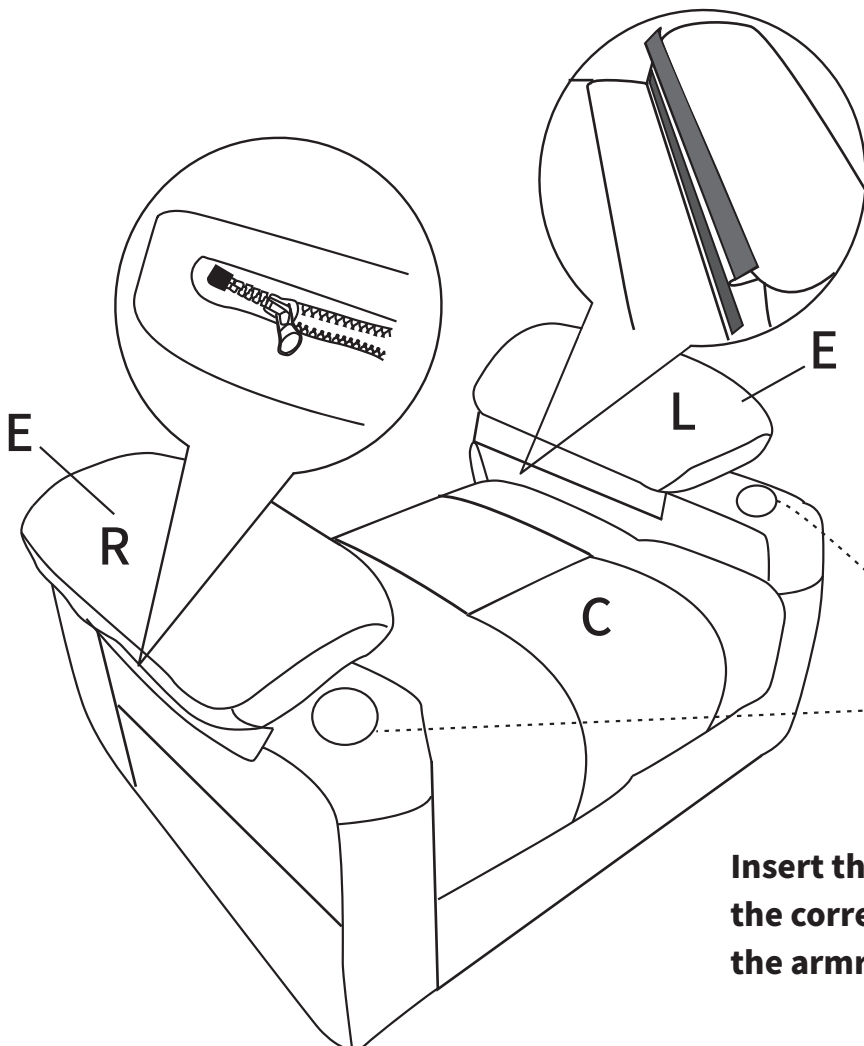
**STEP 2: Fix the supporting feet (L) to the base with screws (J) and nuts (K).**



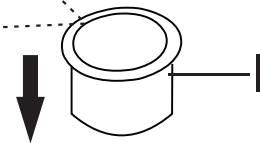
C		1PC
J		4PCS
K		4PCS
L		2PCS



**STEP 3: Fix the armrest pillows (E) to the armrests through the outer zipper and the inner Velcro.**





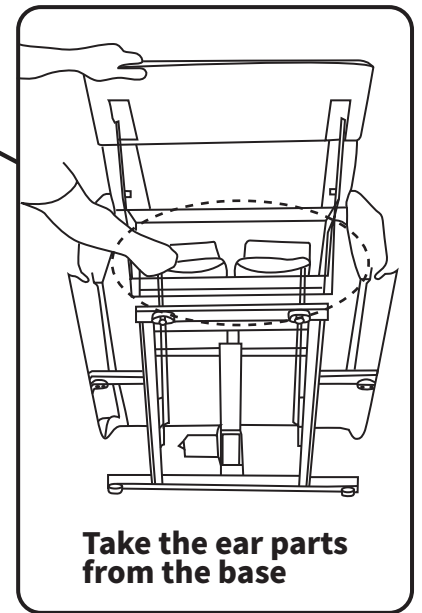
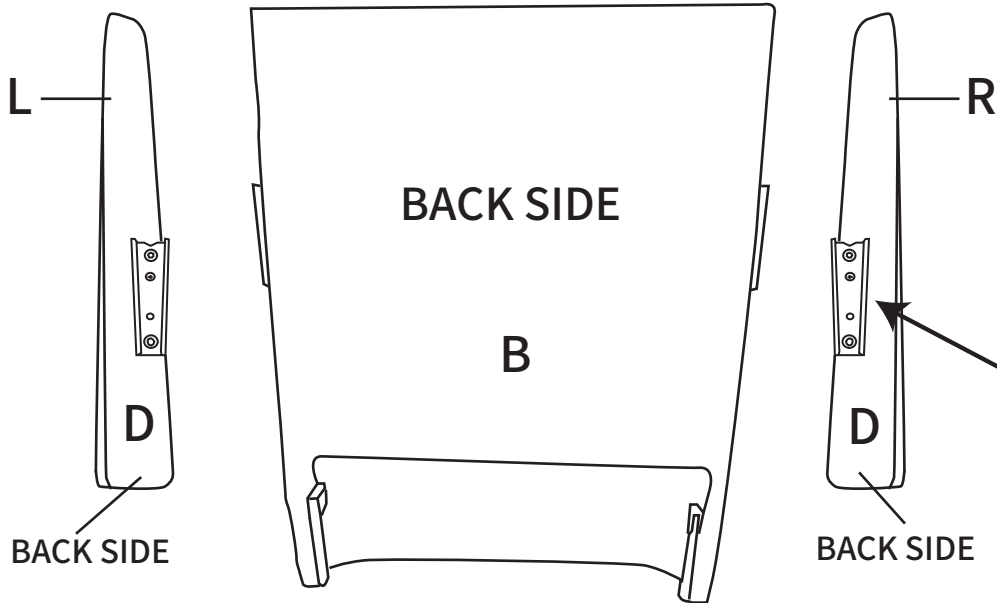
C		1PC
E		2PCS
I		2PCS



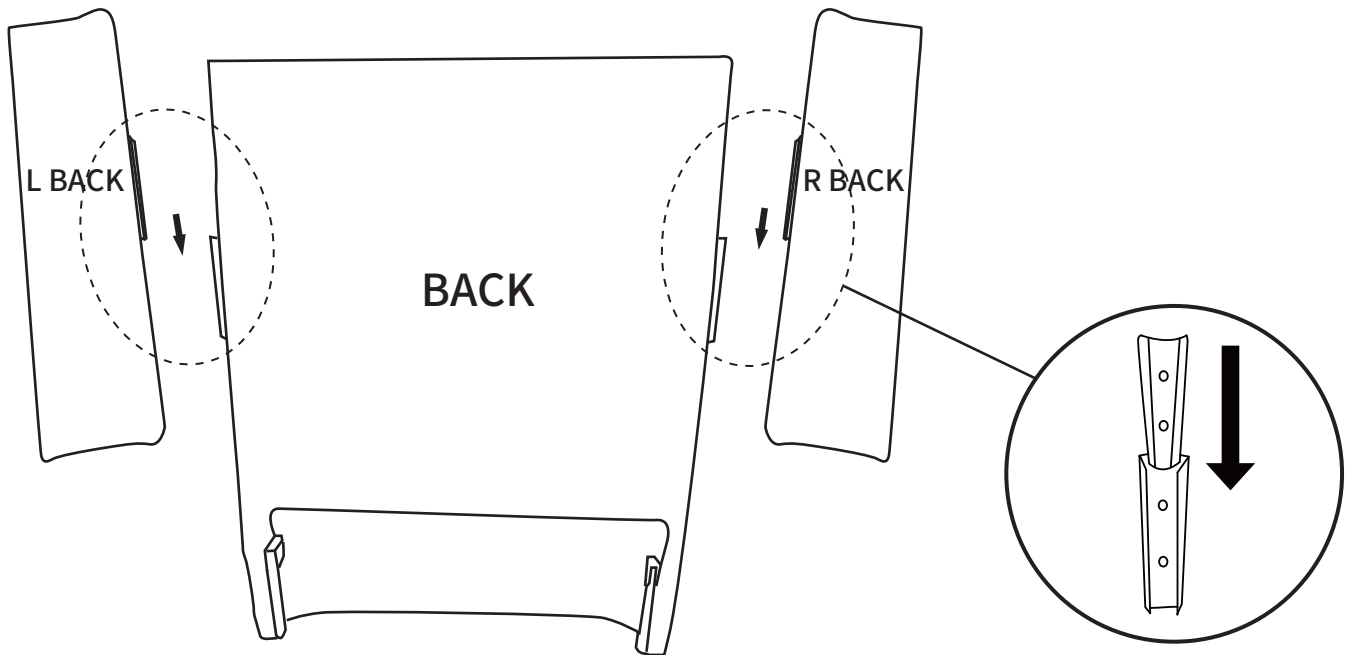
**Insert the 2 cup holders (I) into the corresponding positions on the armrest.**

**STEP 4: Insert the left and right backrest ear parts (D) into both sides of the back frame (B).**

B		1PC
D		2PCS

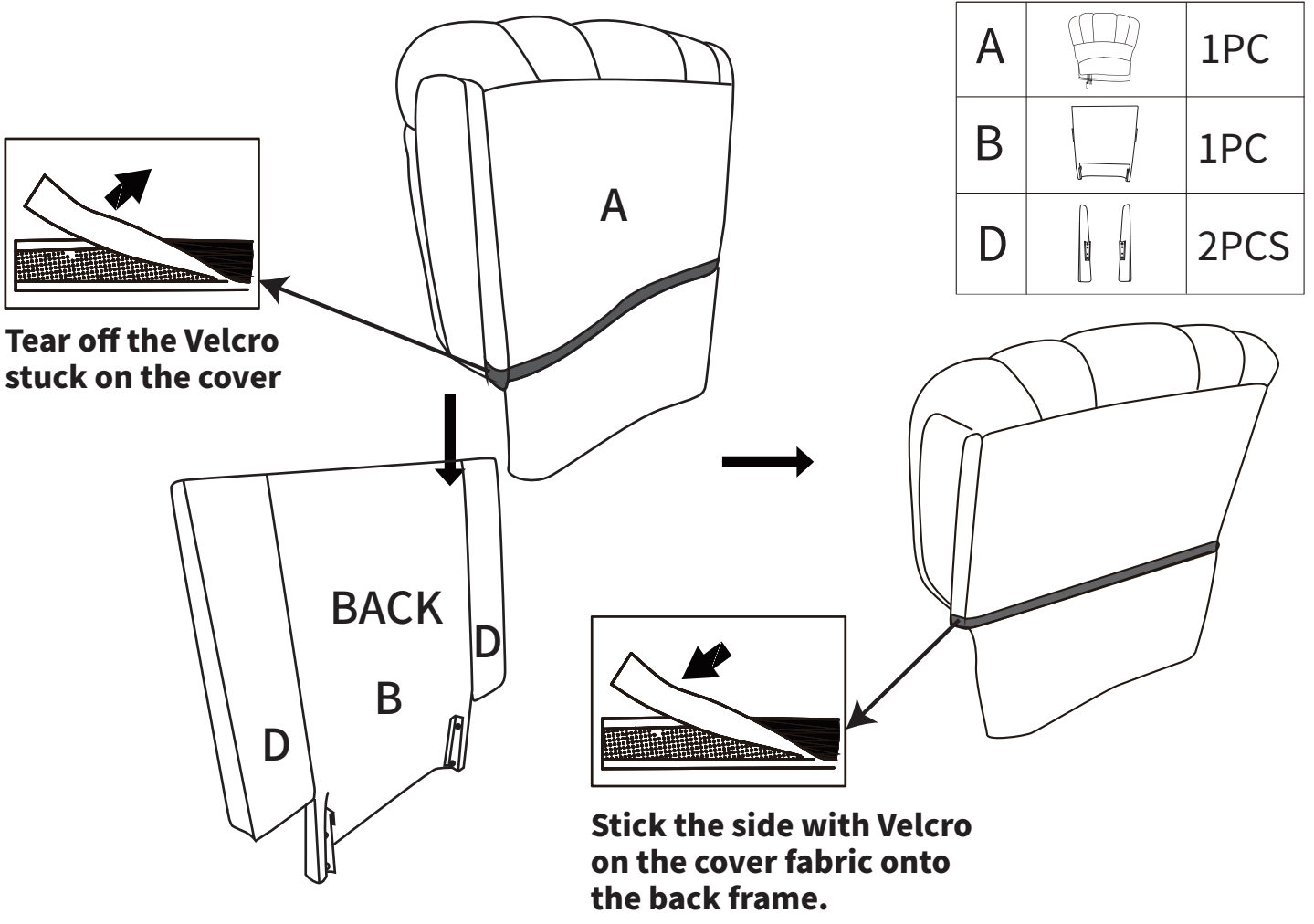


**Note:** The BACK SIDE is the side where the latch is far away

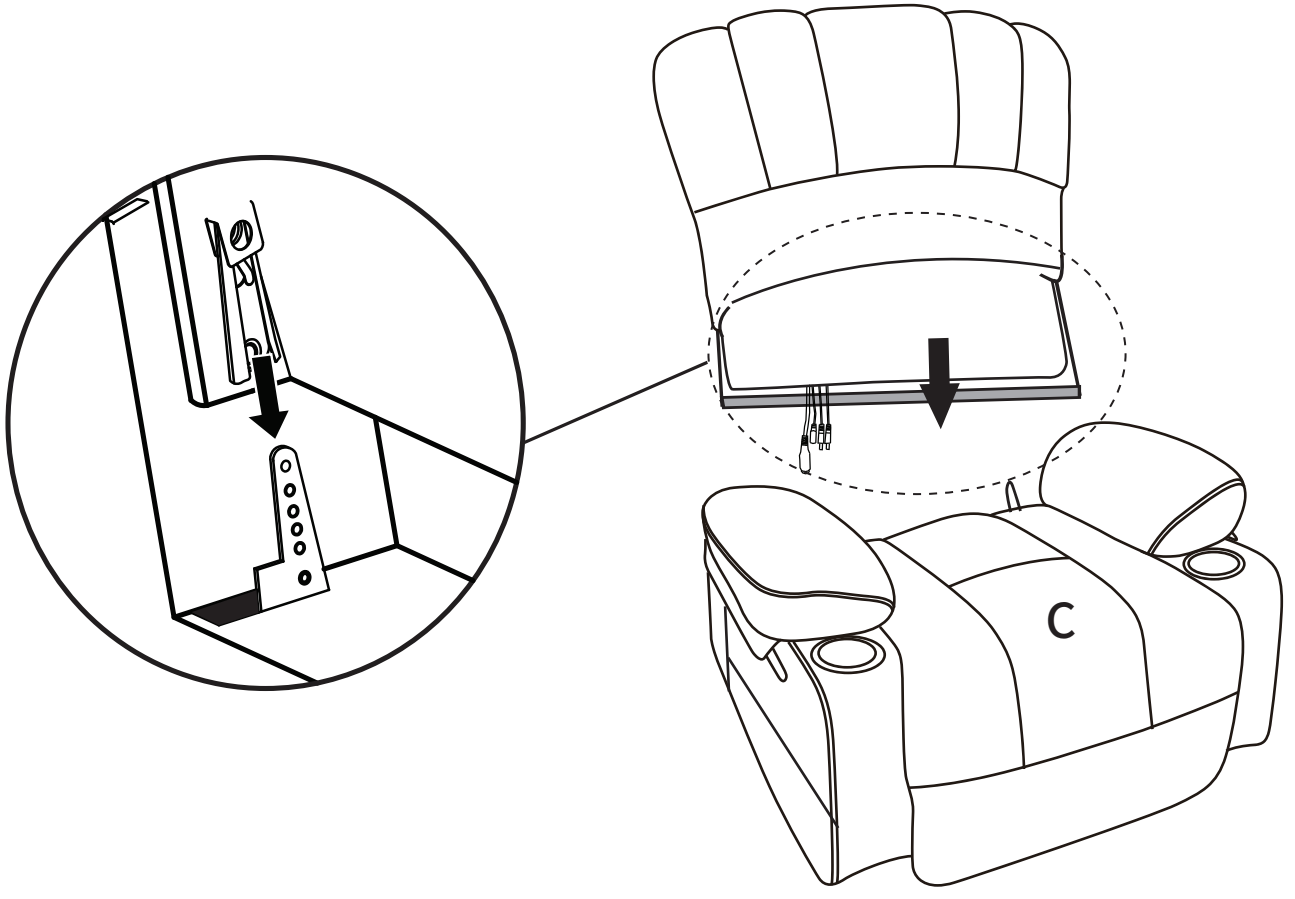


**Note:** The sides with the "BACK" logo are on the same plane

**STEP 5: Attach back cushion (A) to the assembled back frame.**



**STEP 6: Insert the entire backrest into the seat (C).**



# Wires Connection

No.1 and No.2 wire connect with the backrest and chair base.

No.3 wire connects with backrest and power cord(H).

No.4 wire connects with backrest and remote control(F).

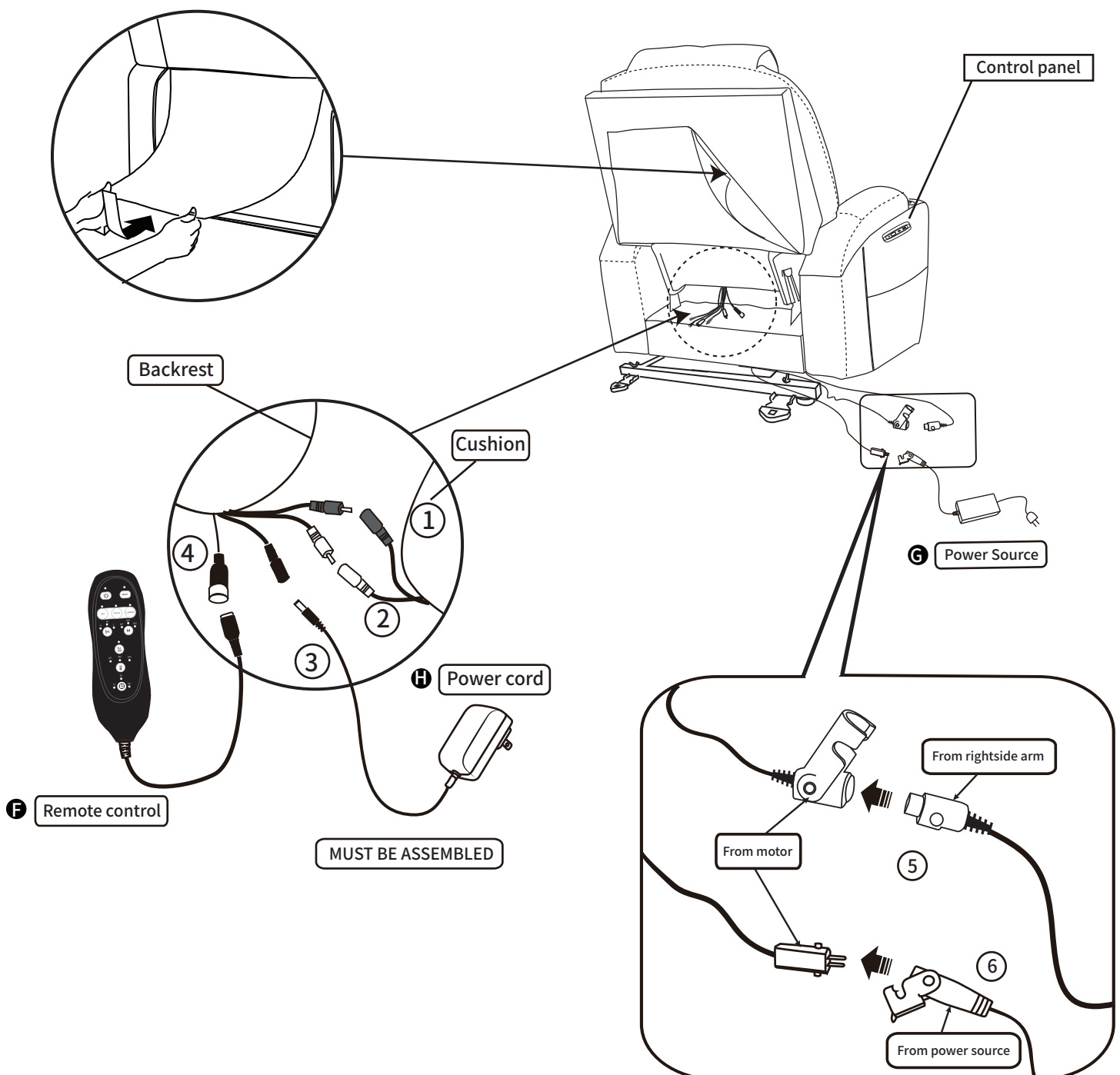
No.5 wire connect the motor and the wire from rightside armrest, which use to connect the control panel.

No.6 wire connect the motor and power source (G).

## NOTE

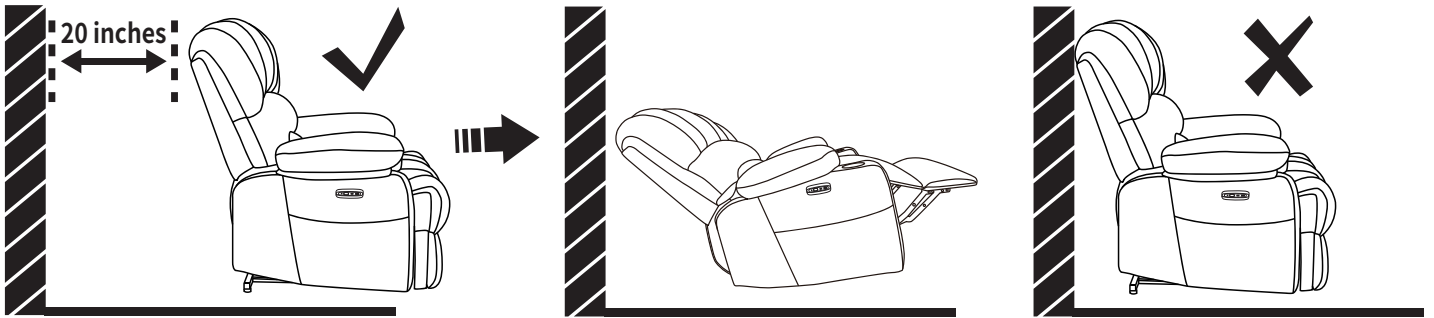
1: Two same color wires connect.

2: Plug power cord and power source into outlet, then you can use all function.



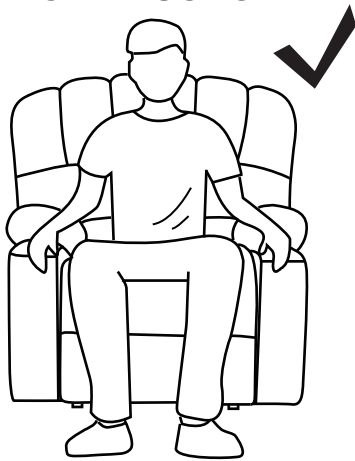
# Instructions for Use

## KEEP THE DISTANCE



The recliner should be placed 20 inches away from the wall.

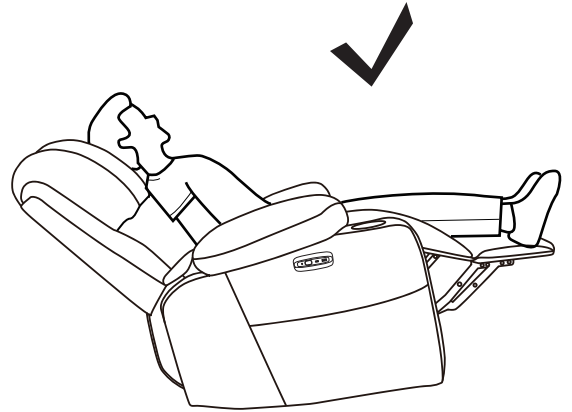
## PROPER USAGE



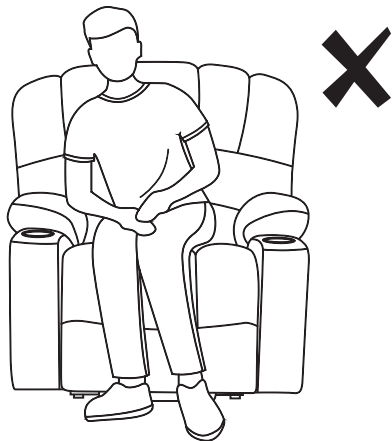
**DO** sit upright and centrally aligned in the chair.



**DO** lie centrally and flat on the users back.



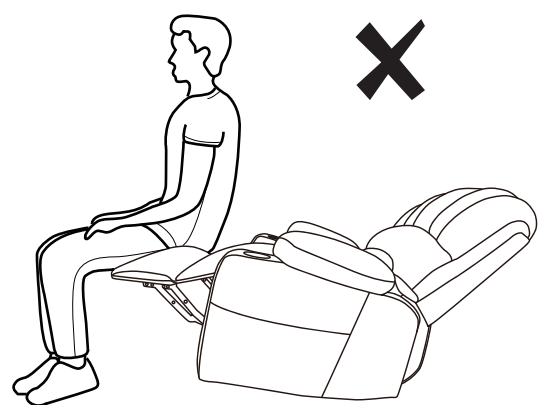
## INAPPROPRIATE USAGE



**DO NOT** sit skewed to one side of the chair.



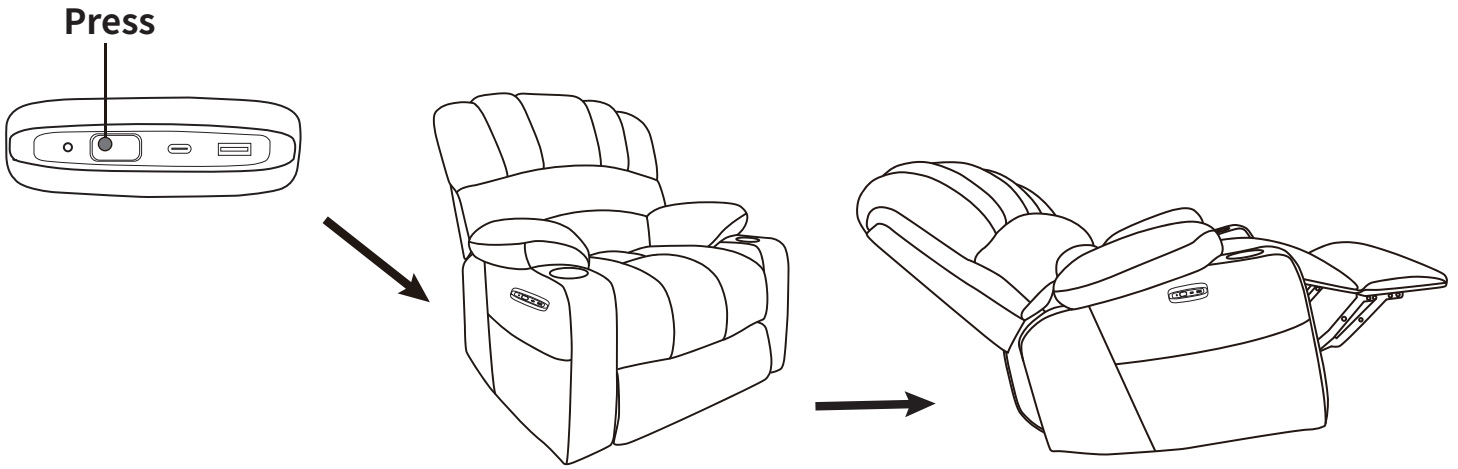
**DO NOT** distribute excess weight on the backrest.



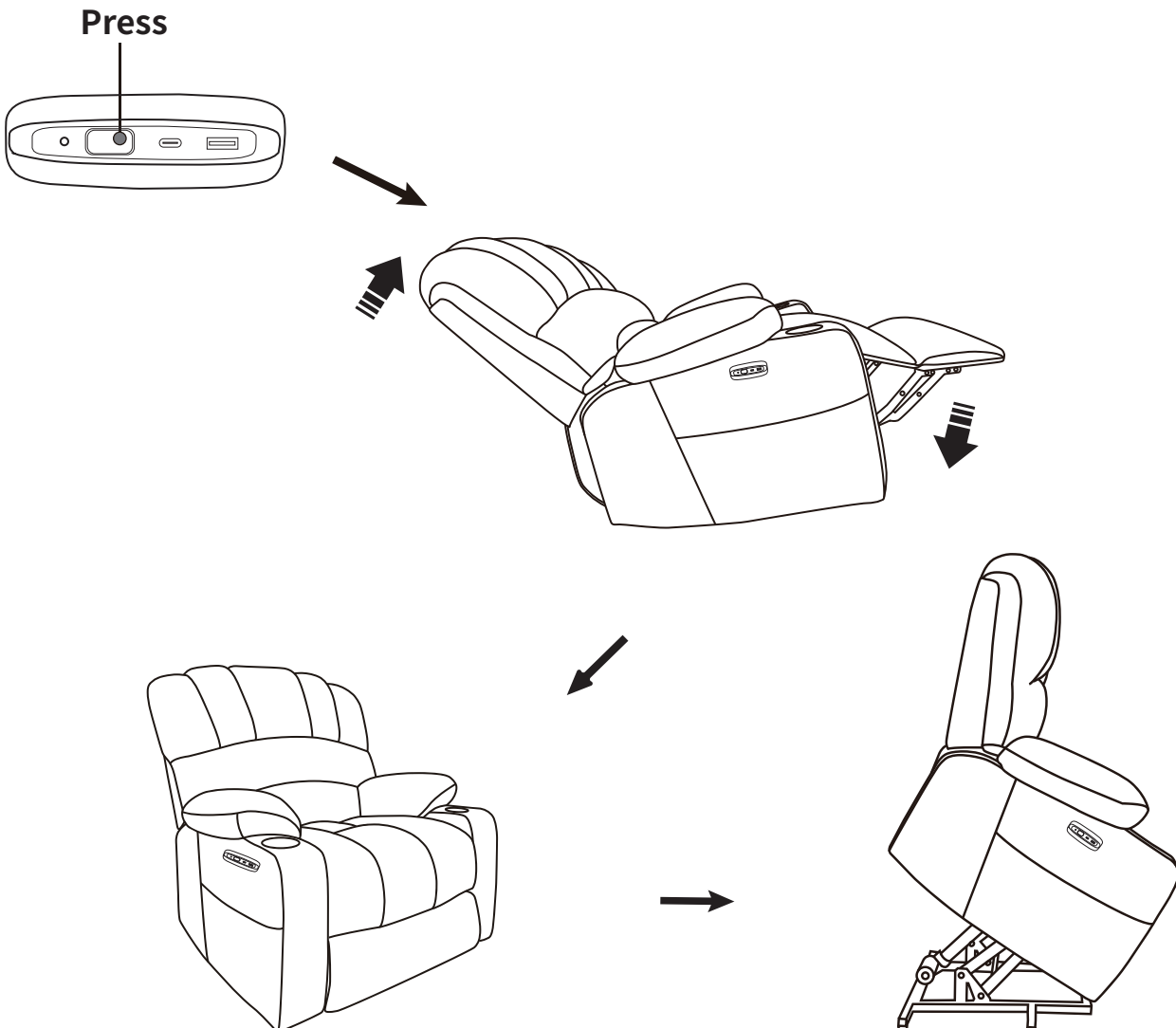
**DO NOT** sit on the footrest when extended.

# How to Operate the Control Panel?

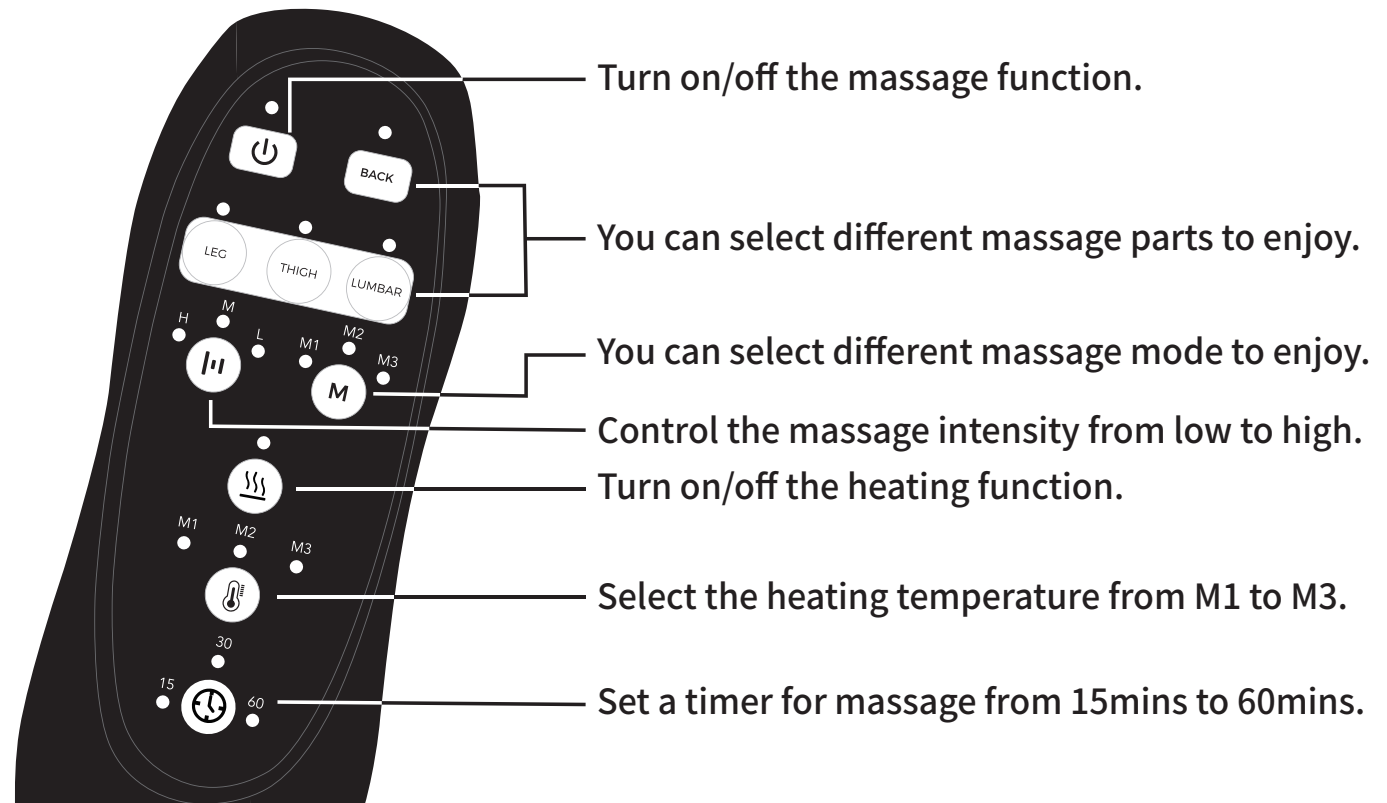
How to recline?



How to get footrest latch down and stand?

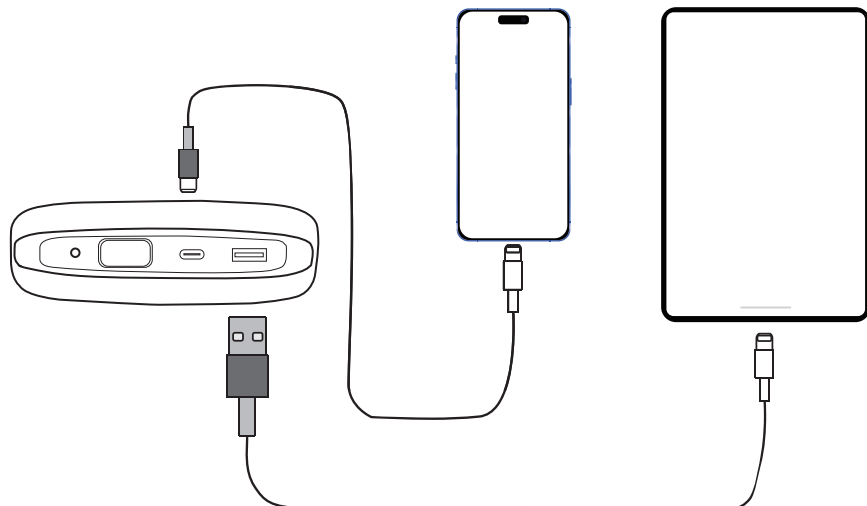


# How to Use Remote Control?



## How to Use Charging Port?

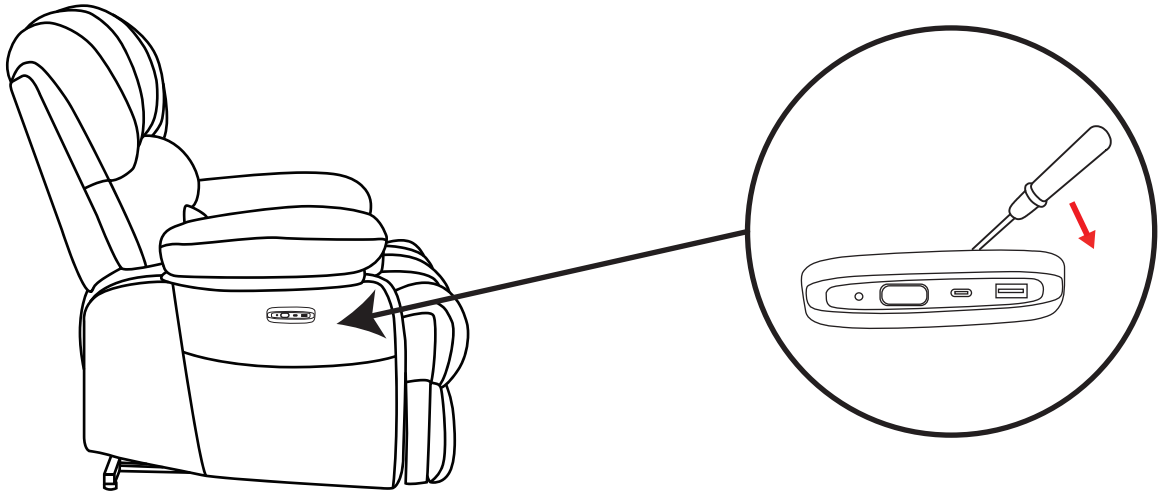
Control Panel is for chair lift and reclining function, also has 1 USB-A outlets and 1 USB-C outlet, which can keep your devices charging, such as nearly all smartphone (like iPhone, Samsung...), iPad, headphones, Kindle etc.



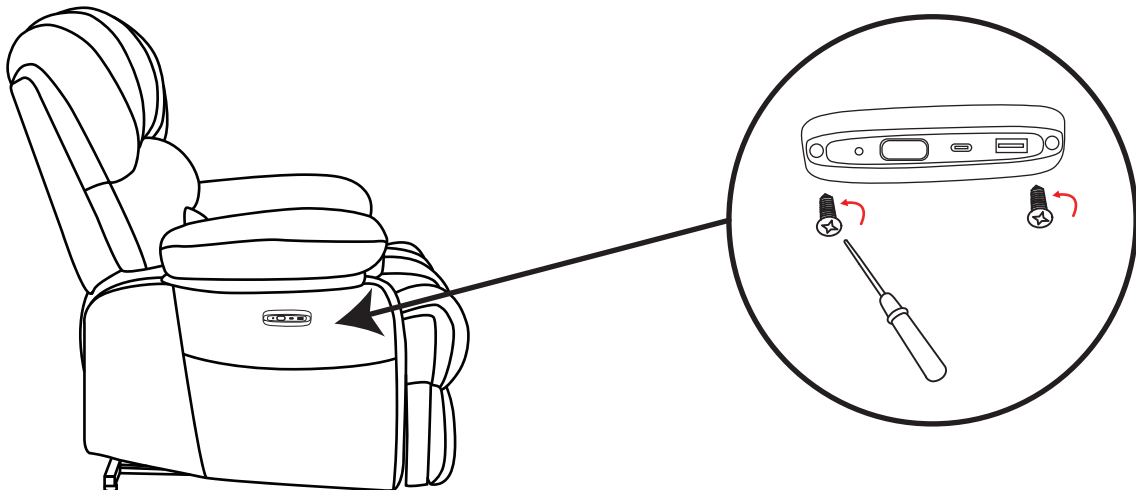
# How to Replace Control Board?

**Step 1:** Use a flat-head screwdriver to gently pry open the cover plate.

**Note:** The screwdriver is not included in the accessory package.

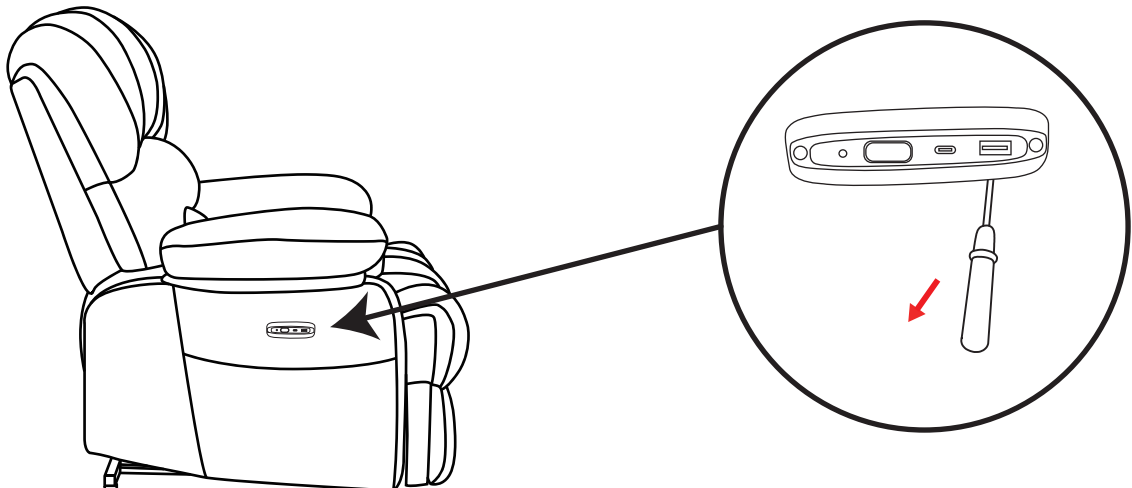


**Step 2:** Remove the screws that fix the control panel.

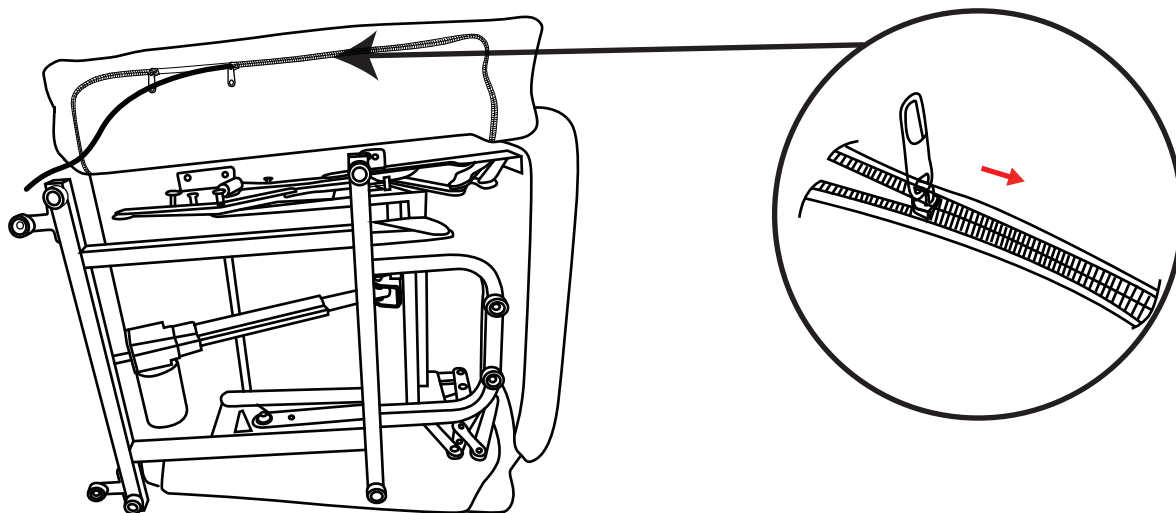


**Step 3:** Pry off the control board with a flat-head screwdriver.

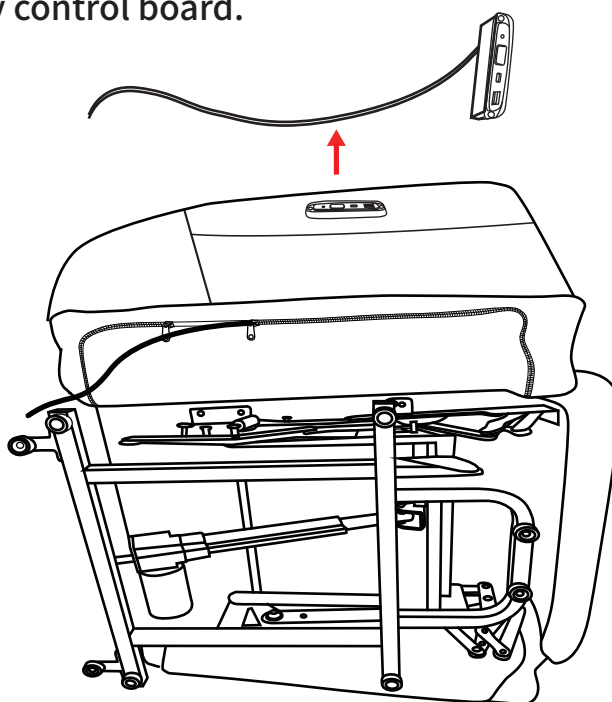
It is recommended to start prying from the four corners of the USB, so it will be easier to pry open.



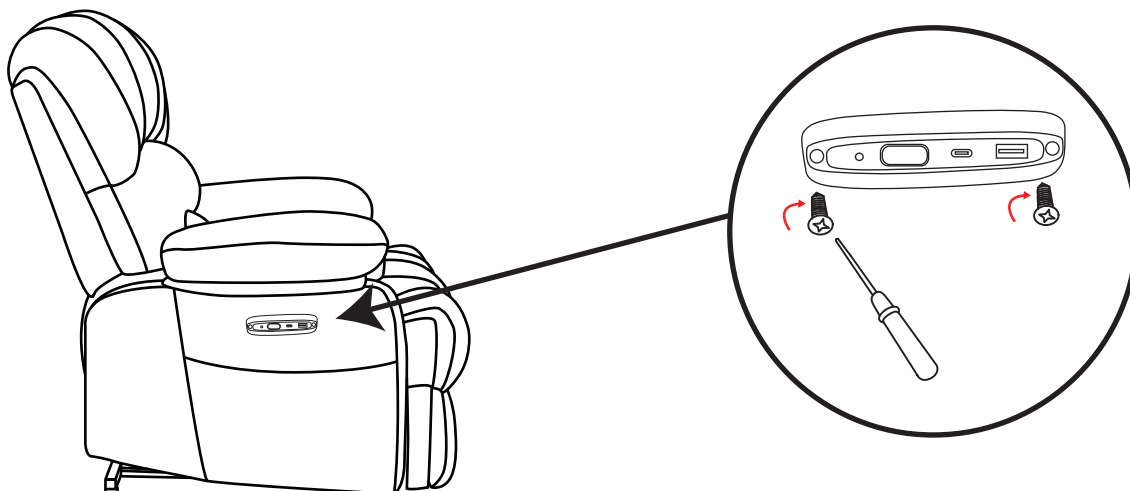
**Step 4:** Unzip the zipper at the bottom of the armrest.



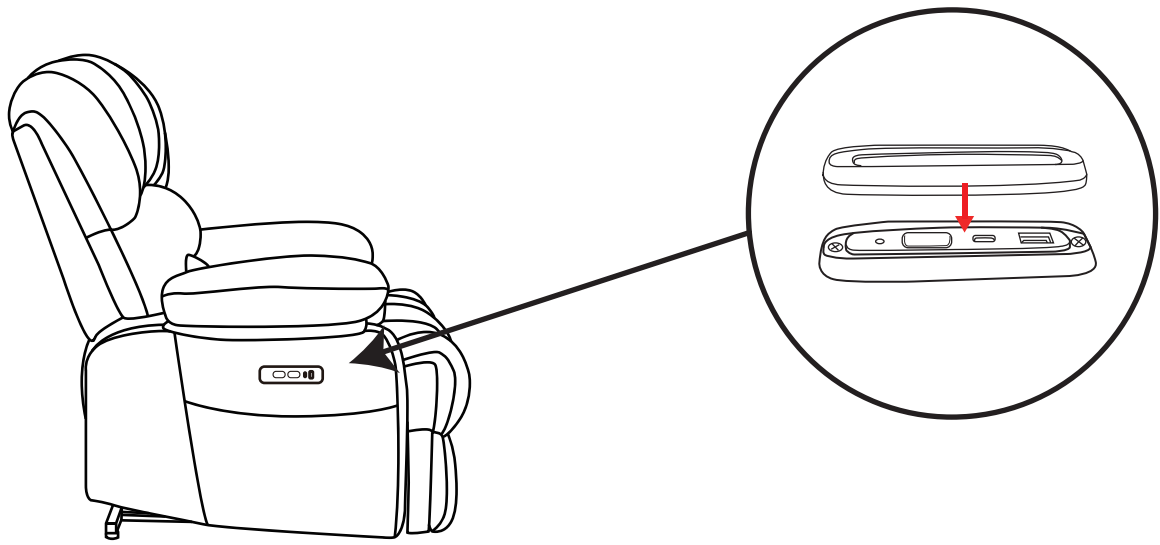
**Step 5:** Pull out the faulty control board.



**Step 6:** Install the control board and fix it with screws.



**Step 7:** Fixed cover plate.



**Step 8:** Pull up the zipper.

