

# KM-12

## Assemble Instructions

### Hardware Identification



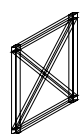
Ⓐ M6\*25x8PCS



Ⓑ M6x1PC

### Part Identification

①x2PCS



②x2PCS



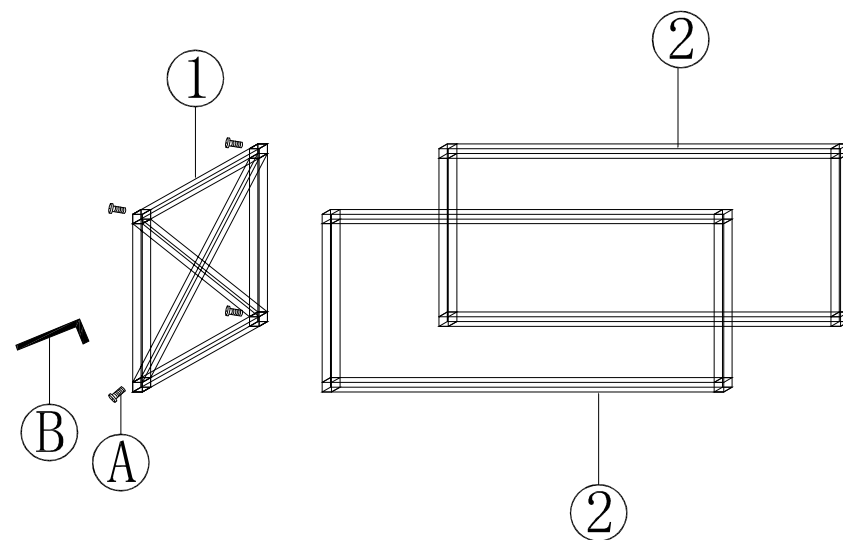
③x1PC



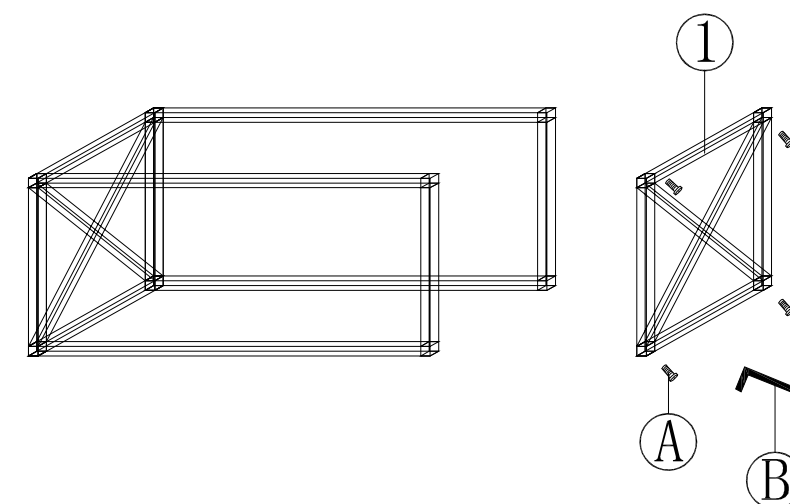
④x1PC



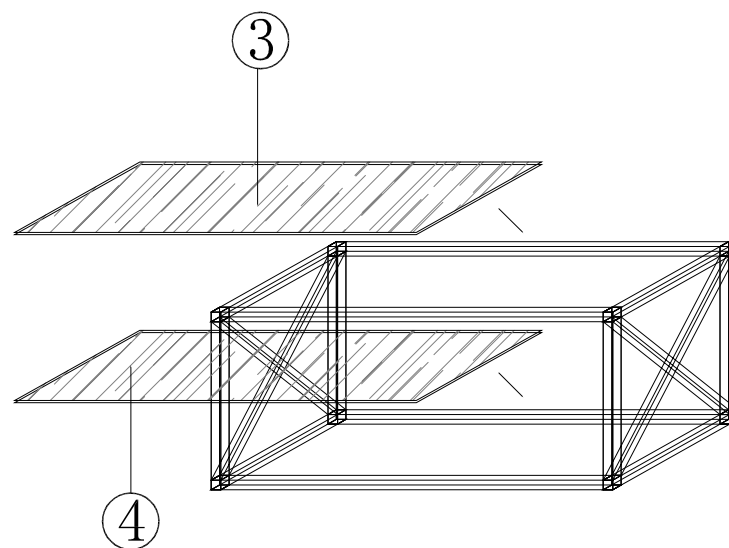
1



2



3



4

