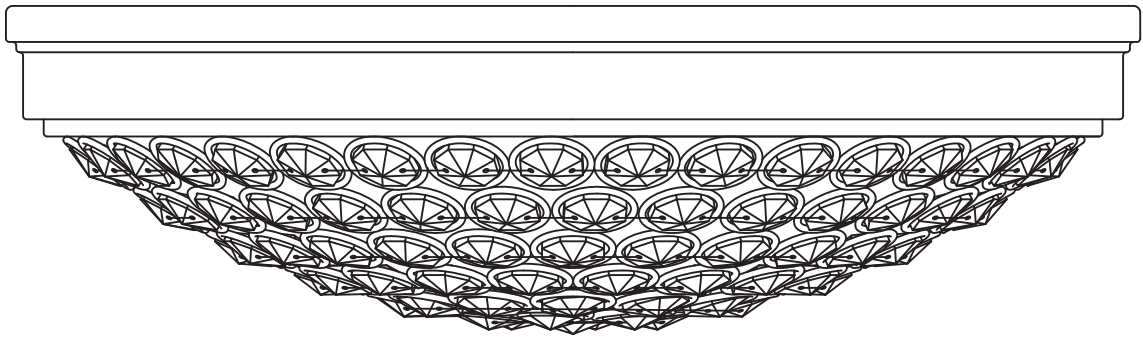


# Assembly Instructions



---

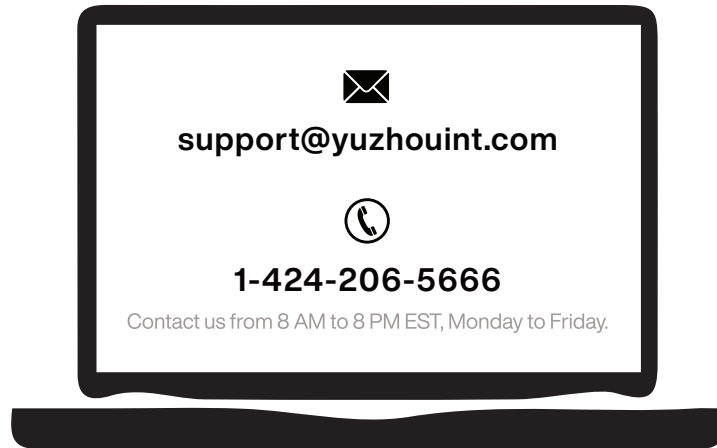
**LED FLUSHMOUNT**

Model No.  
**THCL-TD0042**

---

# Contact Us

## We're here to help you.



Your satisfaction is our top priority. If you encounter any issues with this product, such as missing or damaged parts, we're here to help. Please retain the original packaging and take photos of the packaging and the product, then contact us as soon as possible.

### Warm Tips

1. Carefully read these instructions and keep them for future reference.
2. Check the parts list and confirm everything's there before starting assembly.
3. When assembling, put all parts on a soft, smooth surface like a carpet to avoid scratches.
4. Don't fully tighten screws until all parts are confirmed in place to avoid misalignment.

# Pre-Installation

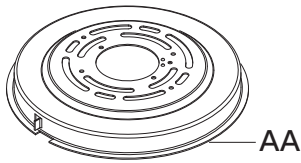
## PLANNING INSTALLATION

Read all instructions before assembly. Before starting installation of this fixture or removal of a previous fixture, disconnect the power by turning off the circuit breaker or by removing the fuse at the fuse box. To avoid damaging this product, assemble it on a soft, non-abrasive surface, such as carpet or cardboard.

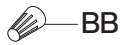


**NOTE:** Keep your receipt and these instructions for proof of purchase.

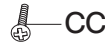
## HARDWARE INCLUDED



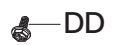
Mounting Plate x1



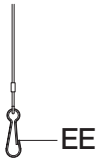
Wire Connector x3



Outlet Box Screw (5mm) x2

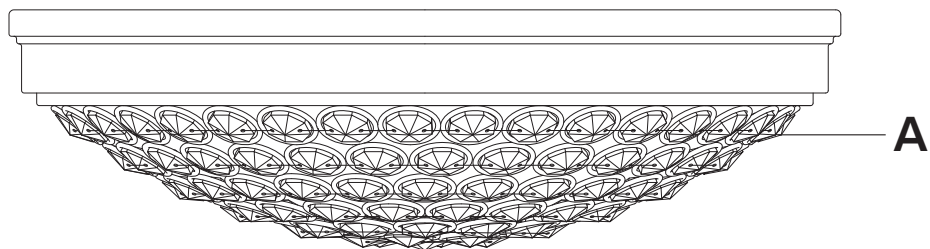


Ground Screw x1



Protective Rope x1

## PACKAGE CONTENTS



A- Fixture Body x1

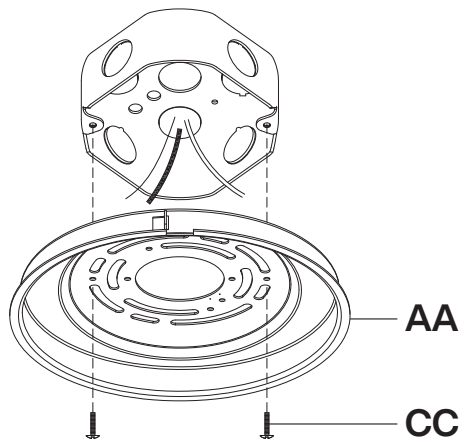


**CAUTION:** The fixture body (A) is one piece. Do not disassemble it.

# Installation

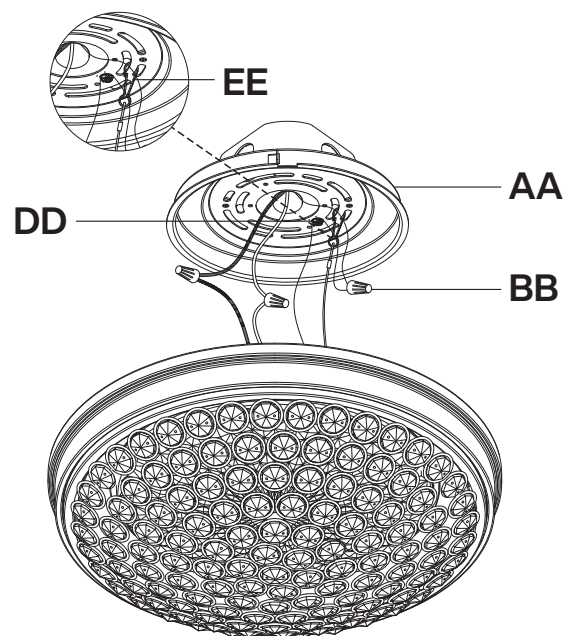
## 1 Attaching the mounting plate to the outlet box

- Screw the outlet box screws (CC) through the holes on the mounting plate (AA) into the screw holes on the outlet box (not included).



## 2 Connecting the electrical wires

- Fasten the protective rope (EE) into the mounting plate (AA) to prevent the lamp from falling.
- Wrap the ground wire from the fixture around the ground screw (DD) on the mounting plate (AA). Use a wire connector (BB) to connect the ground wire from the fixture to the ground wire from the outlet box.
- Use a wire connector (BB) to connect the white wire from the fixture to the white wire (neutral wire) from the outlet box.
- Use a wire connector (BB) to connect the black wire from the fixture to the black wire (live wire) from the outlet box.
- Wrap the three wire connections with electrical tape for a more secure connection.
- Position the wires back inside the outlet box.



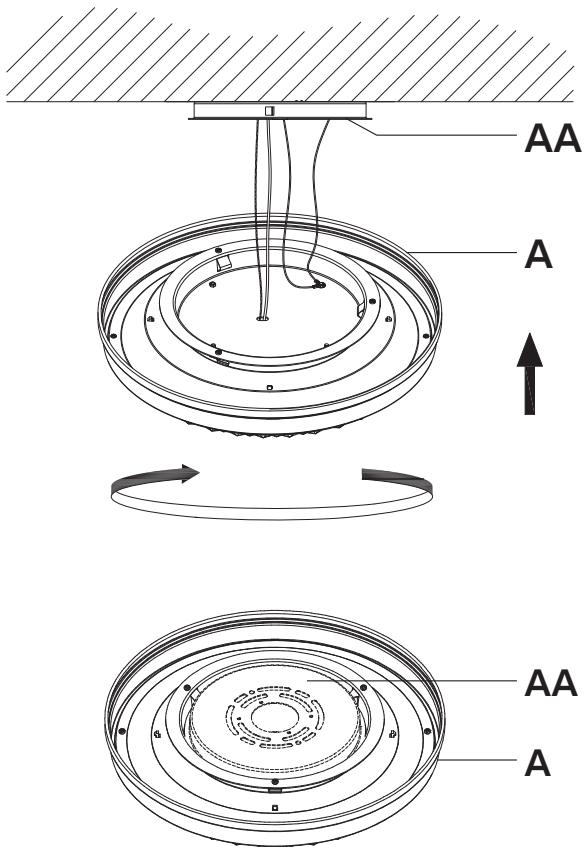
# Installation

## 3 Securing the fixture body to the mounting plate



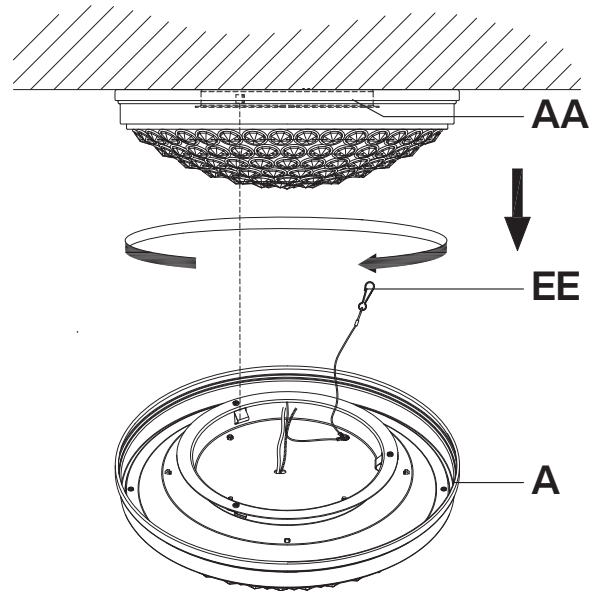
**WARNING:** If not locked in place, the fixture body (A) may fall and cause serious injury.

- Raise the fixture body (A) until it is flush with the mounting plate (AA).
- Twist the fixture body (A) clockwise about ¼ turn until it emits a "Da" sound. That indicates the fixture body (A) is secured.



## 4 Removing the fixture body from the mounting plate

- If you need to remove the fixture body (A), then twist the fixture body (A) counterclockwise about ¼ turn until it emits a "Da" sound, and then pull the fixture body (A) down.
- Remove the protective rope (EE) from the mounting plate (AA) to release the lamp.



**Thank you for your support!**

