

ASSEMBLY INSTRUCTIONS

FURNITURE



ITEM

ASSEMBLY INSTRUCTIONS

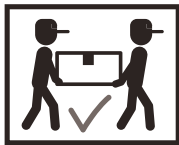
ASSEMBLY TIPS:

1. Remove hardware from box and sort by size.
2. Please check to see that all hardware and parts are present prior to start of assembly.
3. Please follow attached instructions in the same sequence as numbered to assure fast & easy assembly.



WARNING!

1. Don't attempt to repair or modify parts that are broken or defective. Please contact the store immediately.
2. This product is for home use only and not intended for commercial establishments.



ASSEMBLY TIME

30 MINUTES

PARTS IDENTIFICATION

A SOFA BED



1PC

C BACK LEG



2PCS

B FRONT LEG



2PCS

D MIDDLE LEG



1PC

Z HARDWARE IDENTIFICATION

Z01

BOLT
(8 x 30mm - BLK)



4PCS

Z03

ALLEN WRENCH
(D 5mm - BLK)



1PC

Z02

WASHER
(10 x 25mm - BLK)



4PCS

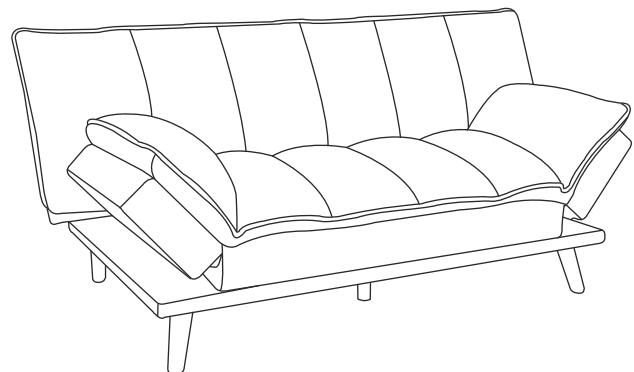
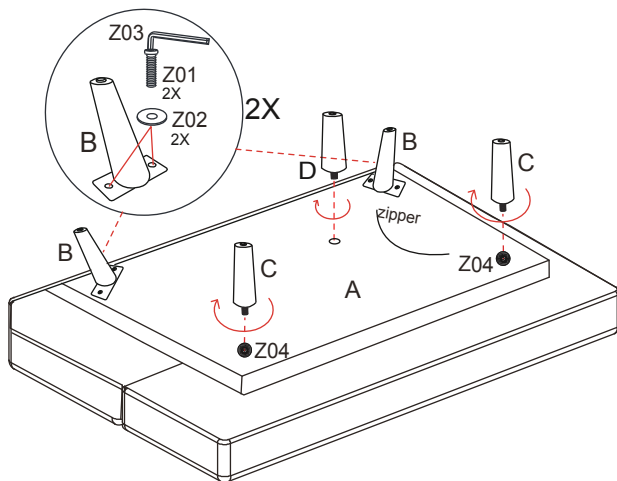
Z04

PLASTIC WASHER
(D 50mm - BLK)



2PCS

STEP 1



ITEM

ASSEMBLY INSTRUCTIONS

PRODUCT DIMENSION (Note: Dimension tolerance $\pm 5\%$)

