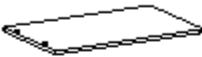

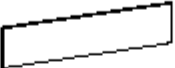
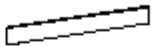


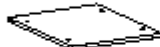
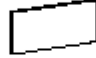

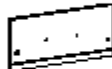
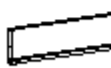













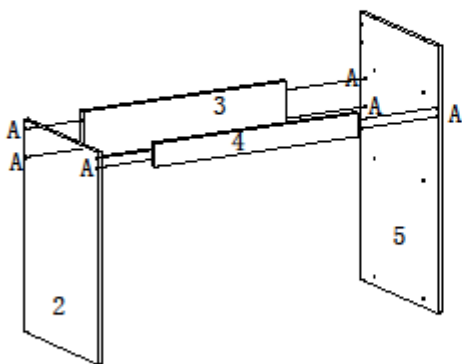
WARNING

1. **WARNING: READ ALL THE INSTRUCTIONS BEFORE ASSEMBLY.**
2. **WARNING: PERIODICALLY CHECK TO ENSURE THAT ALL THE COMPONENTS ARE IN THEIR PROPER POSITION, FREE FROM DAMAGE, AND THAT ALL CONNECTIONS ARE TIGHT.**
3. **WARNING: DO NOT SUBSTITUTE PARTS, CONTACT THE MANUFACTURER OR DEALER FOR REPLACEMENT PARTS.**
4. **WARNING: DO NOT PLACE HEATED/SHARP OBJECTS ON TOP OF ANY SURFACE. ALWAYS USE A COASTER OR A MAT. NEVER LEAVE LIQUIDS ON THE SURFACE: CLEAN IMMEDIATELY WITH A MILD CLEANER AND A DAMP CLOTH.**
5. **WARNING: BE CAREFUL OF FINGERS DURING ASSEMBLY.**
6. **WARNING: KEEP THESE INSTRUCTIONS FOR FURTHER REFERENCE.**
7. **WARNING: HEAVY COMPONENTS SHALL BE LIFTED WHEN ASSEMBLY. 2 PEOPLE ARE REQUIRED FOR THE ASSEMBLY.**
8. **WARNING: CHECK COMPONENT LIST AND PRODUCT BEFORE ASSEMBLY. MAKE SURE ALL THE COMPONENTS ARE INCLUDED. CALL OUR CUSTOMER SERVICE IF MISSING.**
9. **WARNING: CHECK ALL COMPONENTS ARE INSTALLED AS INSTRUCTION.**
10. **WARNING: PLEASE MAKE SURE LIFT - UP ACCESSORY WAS FIXED TIGHTLY. SERIOUS INJURY MAY OCCUR IF INSTRUCTIONS ARE NOT FOLLOWED.**

Assembly Instruction

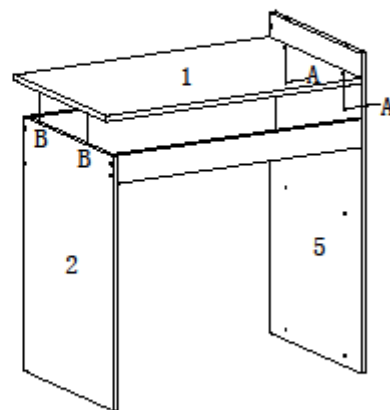
1  1PCS	2  1PCS	3  1PCS	4  1PCS	5  1PCS
6  1PCS	7  1PCS	8  1PCS	9  2PCS	10  1PCS
11  1PCS	12  1PCS	13  1PCS	14  1PCS	A  4x50 24PCS
B  8PCS	C  3.5x12 8PCS	D  2PCS	E  M4x18 2PCS	F  1PCS

STEP 1



(1) Use screw A to connect board 2, plate 3, plate 4 and board 5 together;

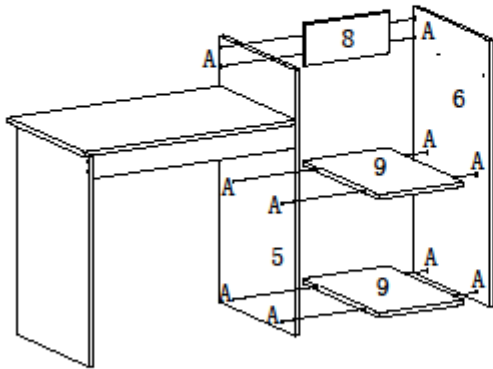
STEP 2



(1) Use screw B to connect board 1 with board 2, and use screw A to connect board 1 with board 5;

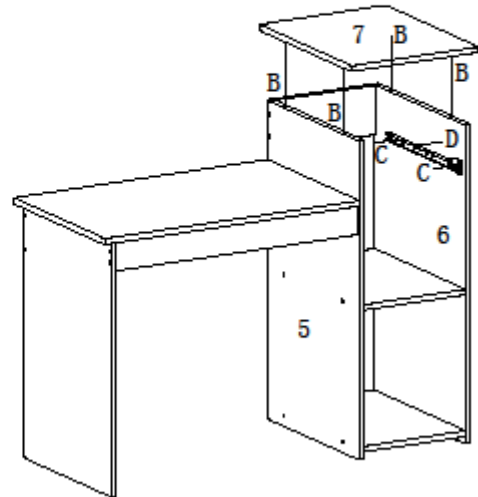
Assembly Instruction

STEP 3



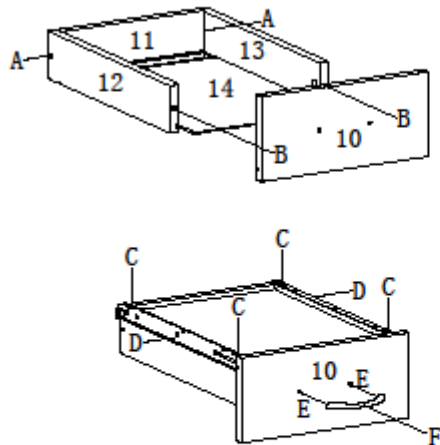
- (1) Use screw A to connect board 9 with board 5 and board 6;
- (2) Use screw A to connect board 8 with board 5 and board 6;

STEP 4



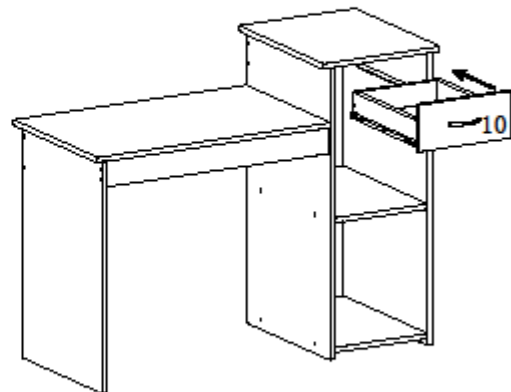
- (1) Use screw C to fix drawer rail D on board 6;
- (2) Use screw B to connect board 7 with board 5 and board 6; (as picture shows)

STEP 5



- (1) Use screw A to connect board 11 with board 12 and board 13;
- (2) Insert board 14 into the slot between board 12 and board 13;
- (3) Use screw B to connect board 10 with board 12 and board 13;
- (4) Use screw C to fix the drawer rail D;
- (5) Use screw E to fix handle F on board 10;

STEP 6



- (1) Insert the finished drawer by Step5 into the rail and the whole installation is done.

HOW TO ASSEMBLE PART B

