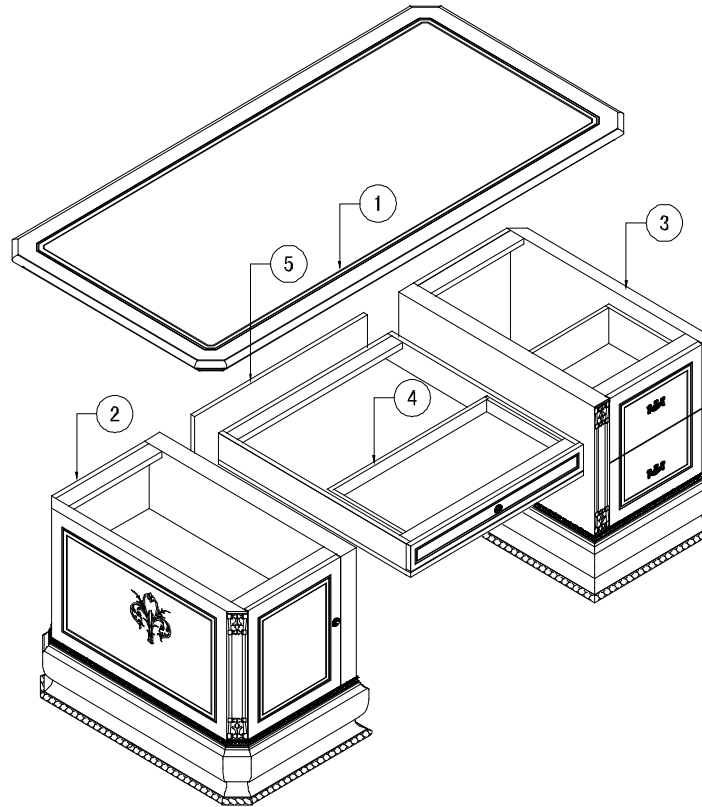
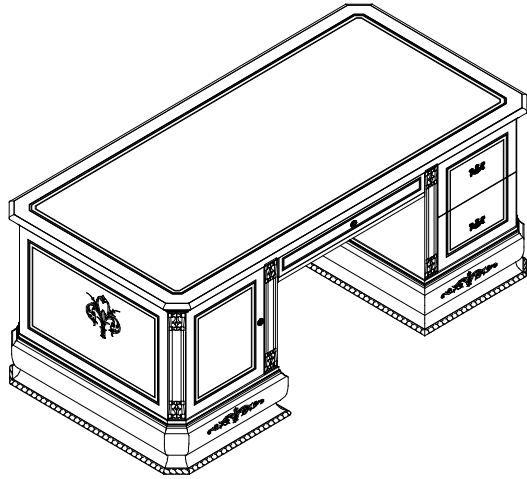



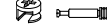



E38 WRITING DESK

Installation Steps:

- 1、 Take out the unit parts from the carton, put them on carpet.
- 2、 Connect⑤ by a, b with②③, Connect④ by c, d, e, f with②③.
- 3、 Connect① with②③⑤ by a, b.



<u>Unit parts list</u>		
Item	Size (mm)	Qty
①	2000*1000*53	1
②	990*630*727	1
③	990*630*727	1
④	895*807*123	1
⑤	647*807*19	1

<u>Accessories</u>		
Item	Size (mm)	Image
a	Ø8*30	
b		
c	M6*25	
d		
e		
f	4mm	