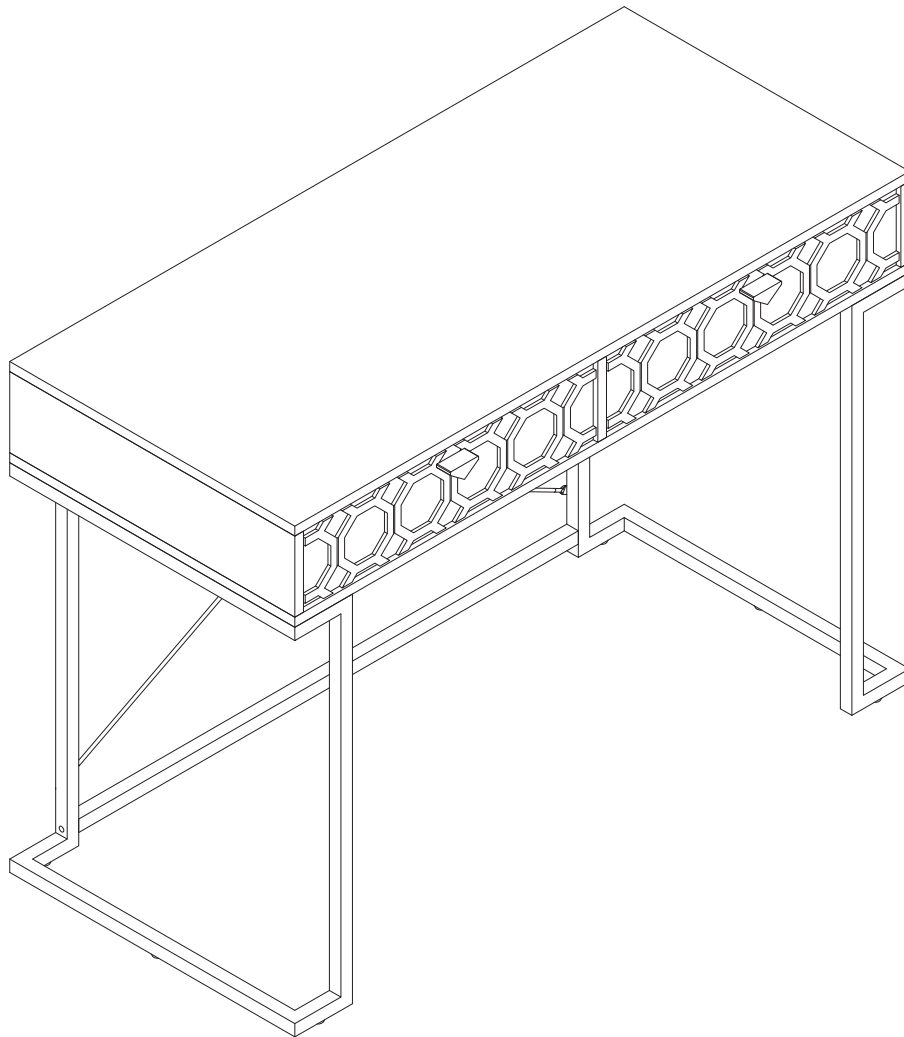


ASSEMBLY INSTRUCTIONS

Please read all instructions before assembly.
Keep instructions for future reference.

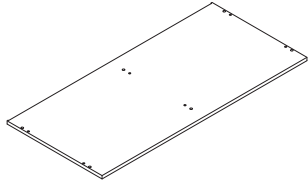
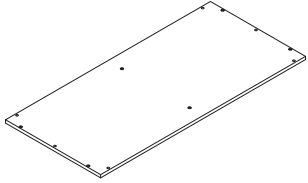
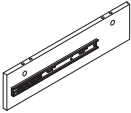
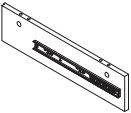
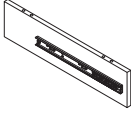
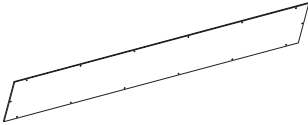
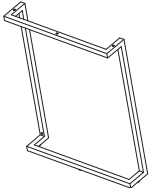
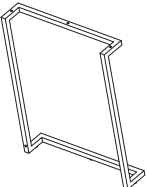


WARNING:

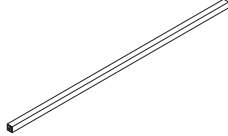

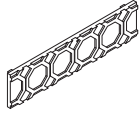
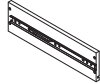
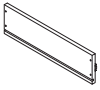
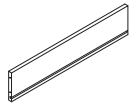
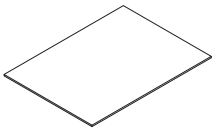
SERIOUS INJURY HAZARD. This product can tip over if not secured. Always attach to the wall using the safety wall strap (Part L) provided. Never allow children to climb or stand on drawers or doors.

ASSEMBLY INSTRUCTIONS

Part list:

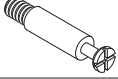





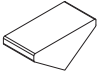

ITEM	DESCRIPTION	PART	QTY
1	Top panel		1
2	Bottom panel		1
3	Left side panel		1
4	Right side panel		1
5	Divider		1
6	Back panel		1
7	Left leg		1
8	Right leg		1

Part list:









ITEM	DESCRIPTION	PART	QTY
9	Crossbar		1
10	Connection strap		2
11	Drawer front		2
12	Drawer left side		2
13	Drawer right side		2
14	Drawer back		2
15	Drawer bottom		2

ASSEMBLY INSTRUCTIONS

Hardware List:

ITEM	DESCRIPTION	PART	QTY
A	Camlock bolt		6
B	Camlock		6
C	Wooden dowel	 $\Phi 0.31 * 1.18''$	12
D	Bolt	 $\Phi 0.23 * 1.18''$	6
E	Allen wrench		1
F	Flat head screw	 $\Phi 0.15 * 1.37''$	22
G	Handle		2
H	Machine screw	 $\Phi 0.15 * 0.86''$	4

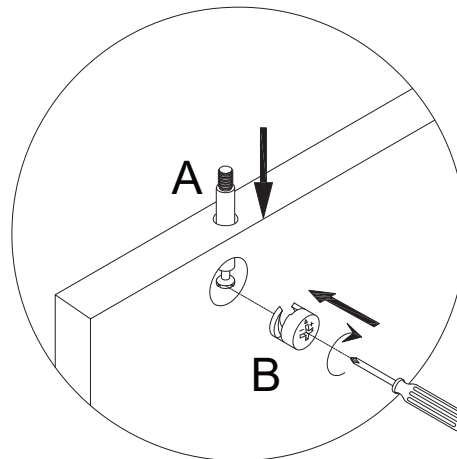
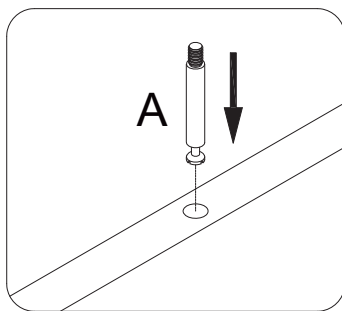
Hardware List:

ITEM	DESCRIPTION	PART	QTY
I	Bolt	 $\Phi 0.23 * 0.47''$	5
J	Nut		1
K	Back screw	 $\Phi 0.11 * 0.55''$	14
L	Safety wall strap		2
M	Plastic anchor		2
N	Mounting screw	 $\Phi 0.15 * 1.57''$	2
O	Washer		2
P	Bolt	 $\Phi 0.23 * 1.57''$	2

ASSEMBLY INSTRUCTIONS

- * Required screwdriver & mallet, not included.
- * Before discarding packing material, please check to make sure that all parts and hardware is present.
- * Two people needed for assembly.
- * Please follow the instructions closely; Do not over-tighten screws or bolts unless specified.
- * After a few days from initial assembly, the product may adjust to the environment. Please retighten the hardware.

Guideline For Assembling of Cam Lock (A & B)




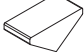

Screw camlock bolt (A) to wood part.

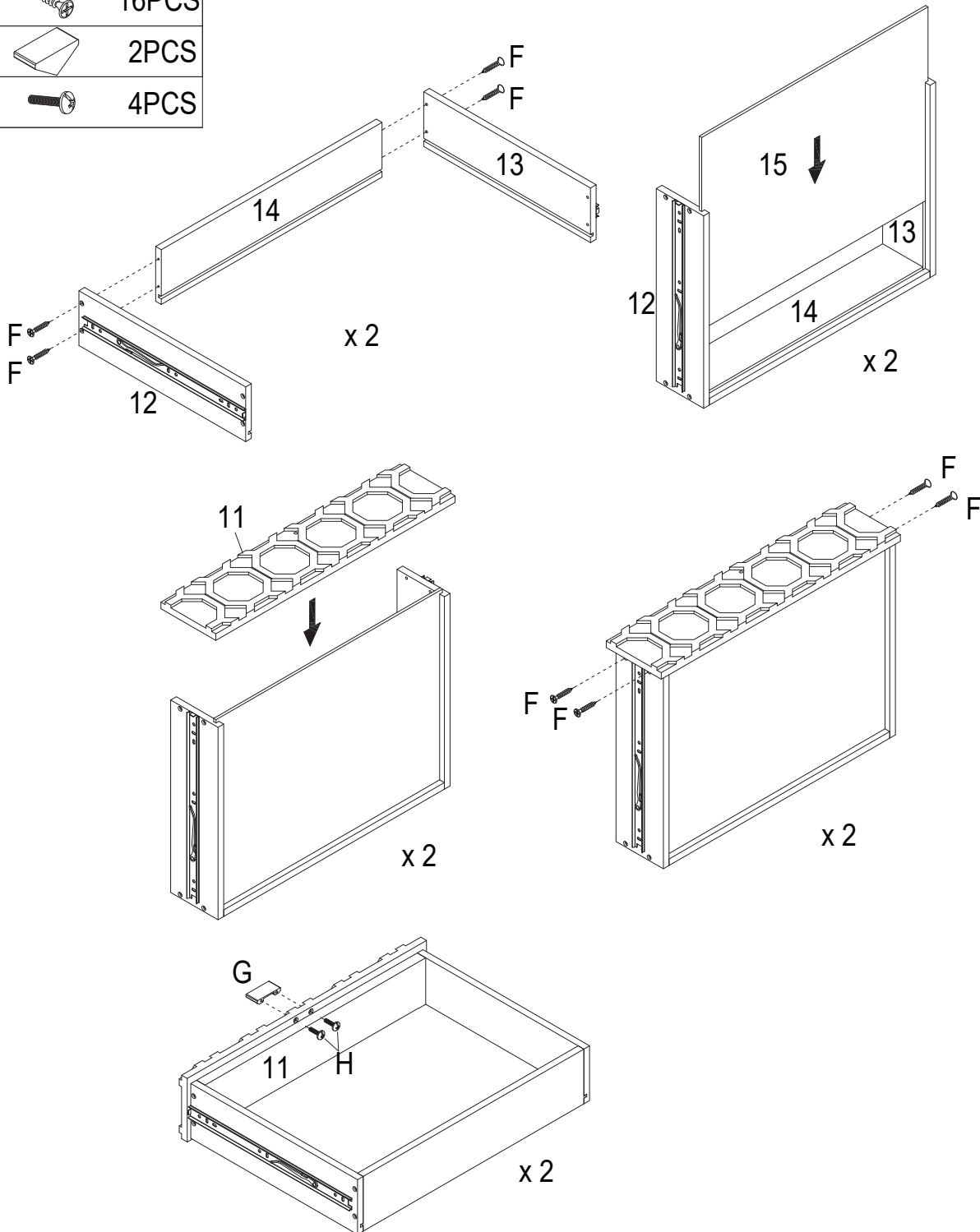
Do not assemble camlock (B) unless instructed.

To assemble camlock (B), ensure long side of the + is facing the bolt (A) before inserting into hole.

ASSEMBLY INSTRUCTIONS


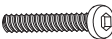
STEP 1

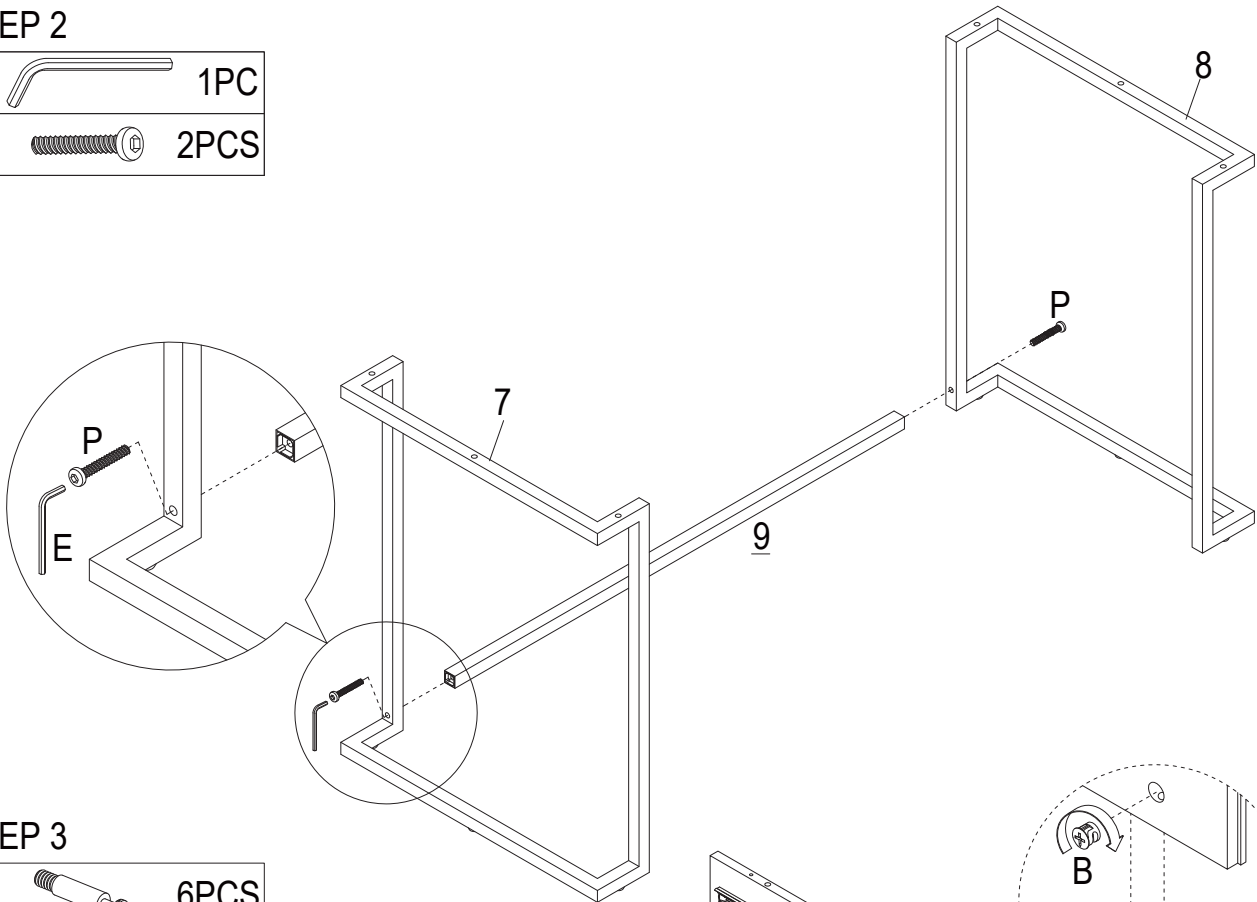
F:		16PCS
G:		2PCS
H:		4PCS



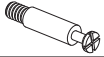

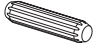
ASSEMBLY INSTRUCTIONS

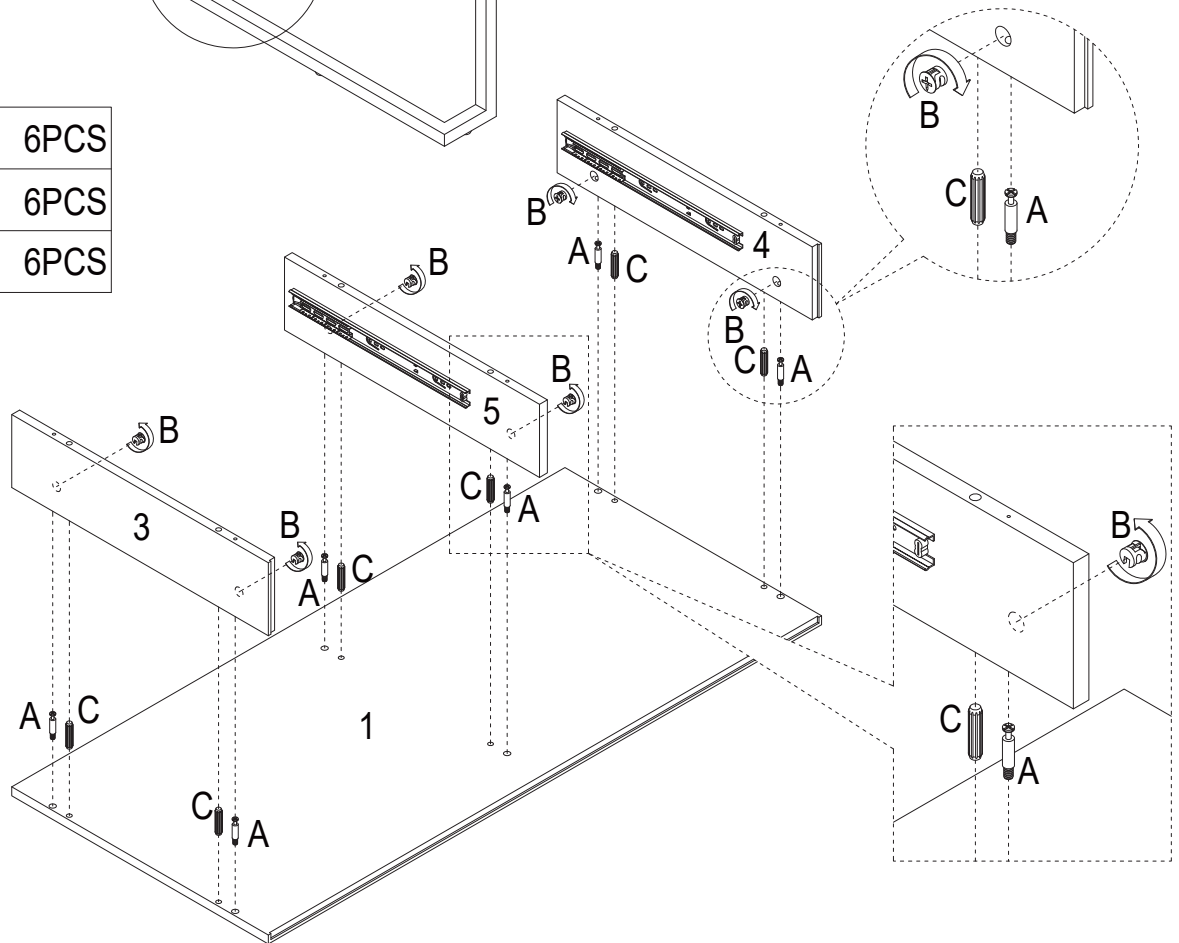
STEP 2

E:		1PC
P:		2PCS



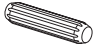

STEP 3

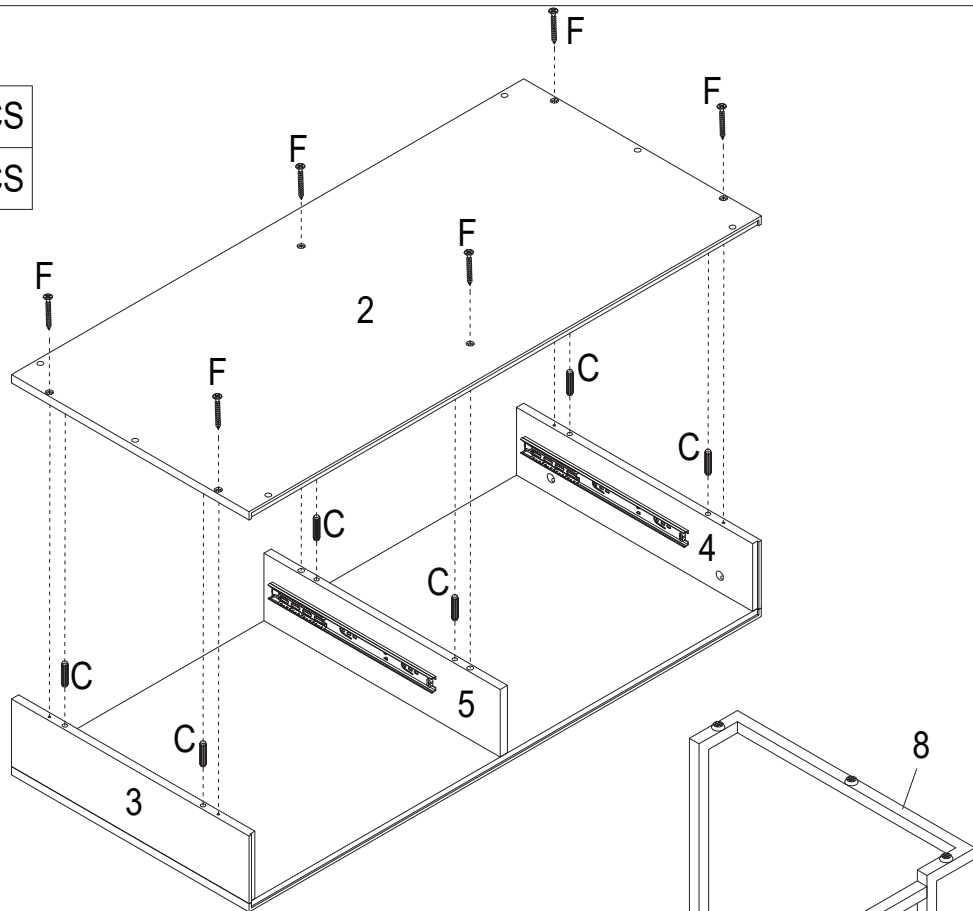
A:		6PCS
B:		6PCS
C:		6PCS



ASSEMBLY INSTRUCTIONS

STEP 4

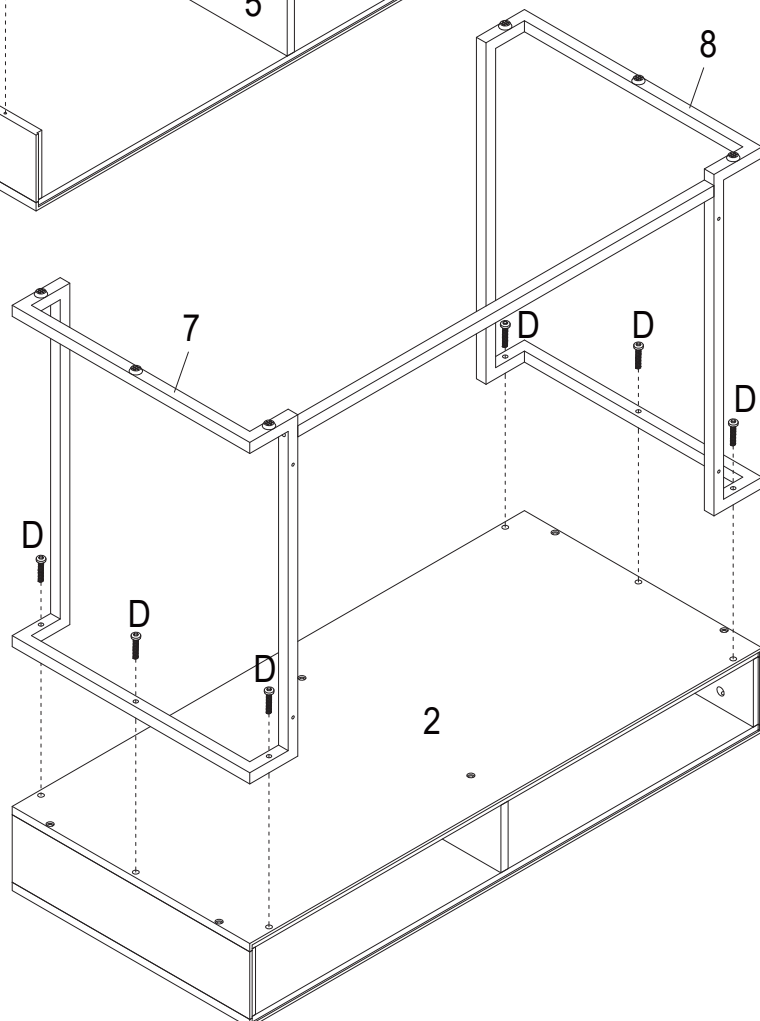
C:		6PCS
F:		6PCS



STEP 5



D:		6PCS
----	---	------

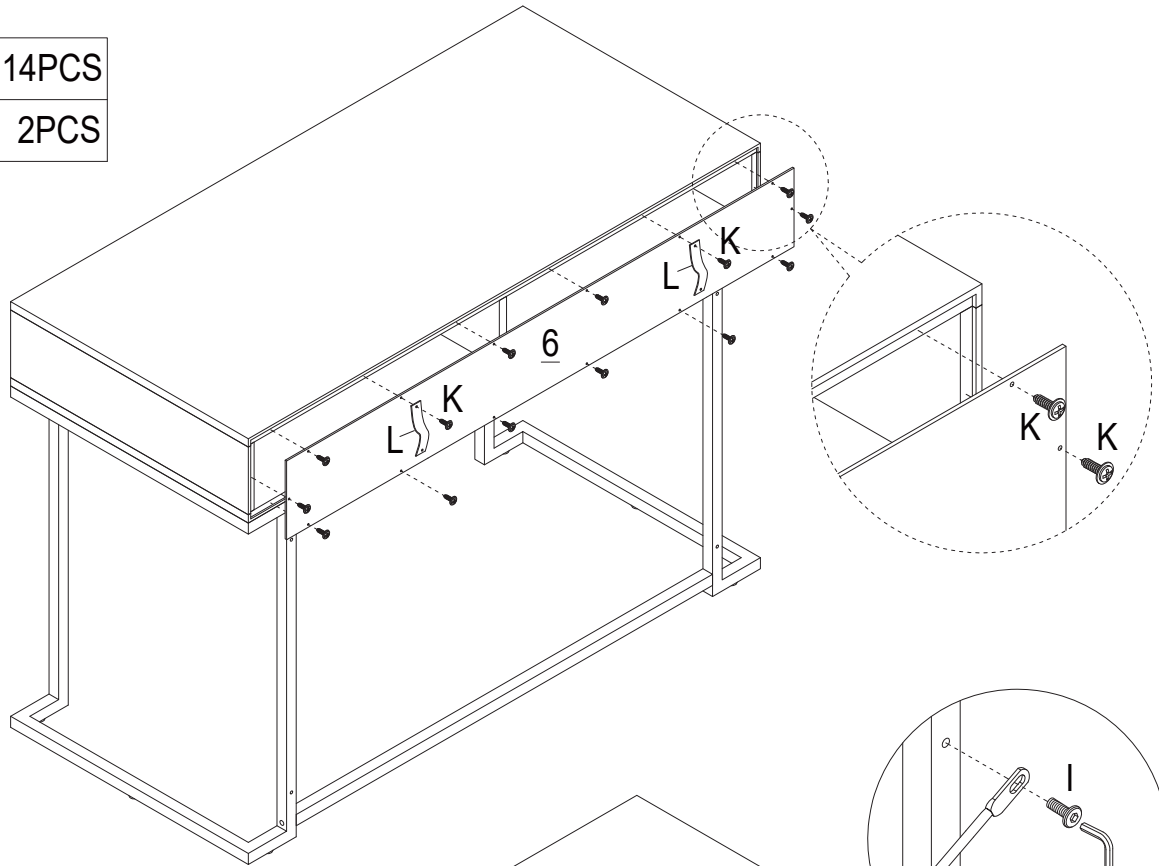
Attach Part 3 (Left side panel) and Part 4 (Right side panel) to Part 2 (Bottom panel) using 6 pieces of Part C (Wooden dowel) and 6 pieces of Part D (Bolt)”





ASSEMBLY INSTRUCTIONS

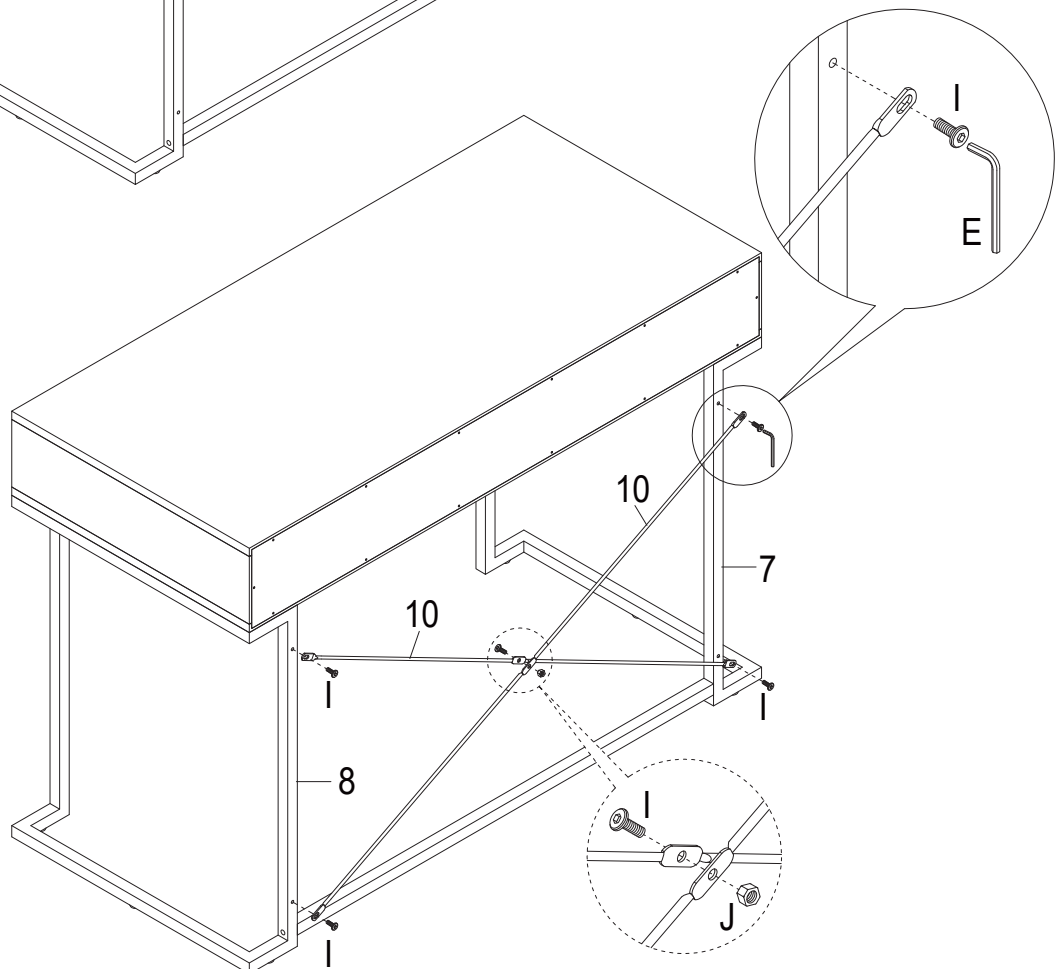
STEP 6

- | | | |
|----|---|-------|
| K: |  | 14PCS |
| L: |  | 2PCS |



STEP 7

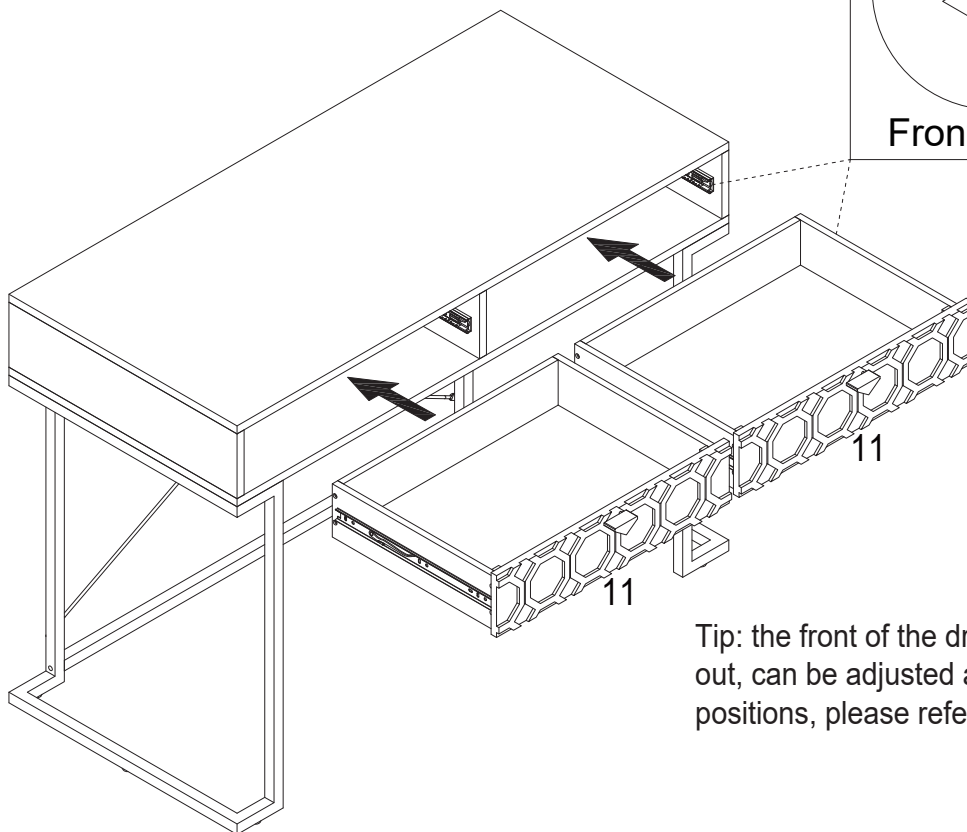
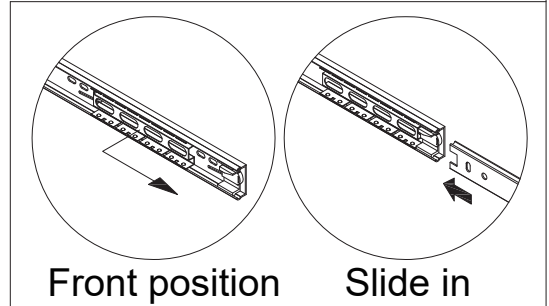
- | | | |
|----|---|------|
| I: |  | 5PCS |
| J: |  | 1PC |



ASSEMBLY INSTRUCTIONS

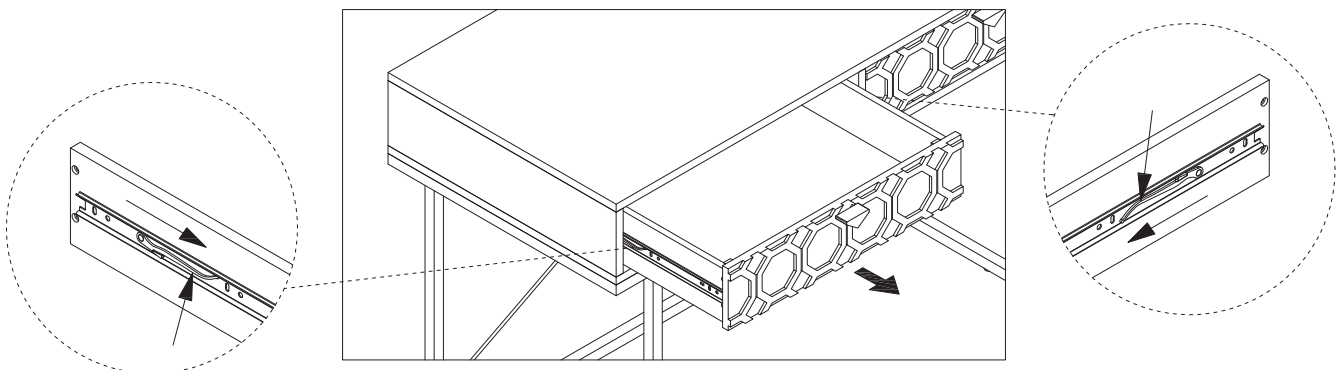
STEP 8

Note: Extend the drawer slide rail to its front position before inserting the drawer.




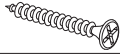

Tip: the front of the drawer, if there is tilt, do not force out, can be adjusted according to these two positions, please refer to the following steps.

To remove the drawer: Lift the front of the drawer slightly while pulling outward to disengage the slides. Do not force.



ASSEMBLY INSTRUCTIONS

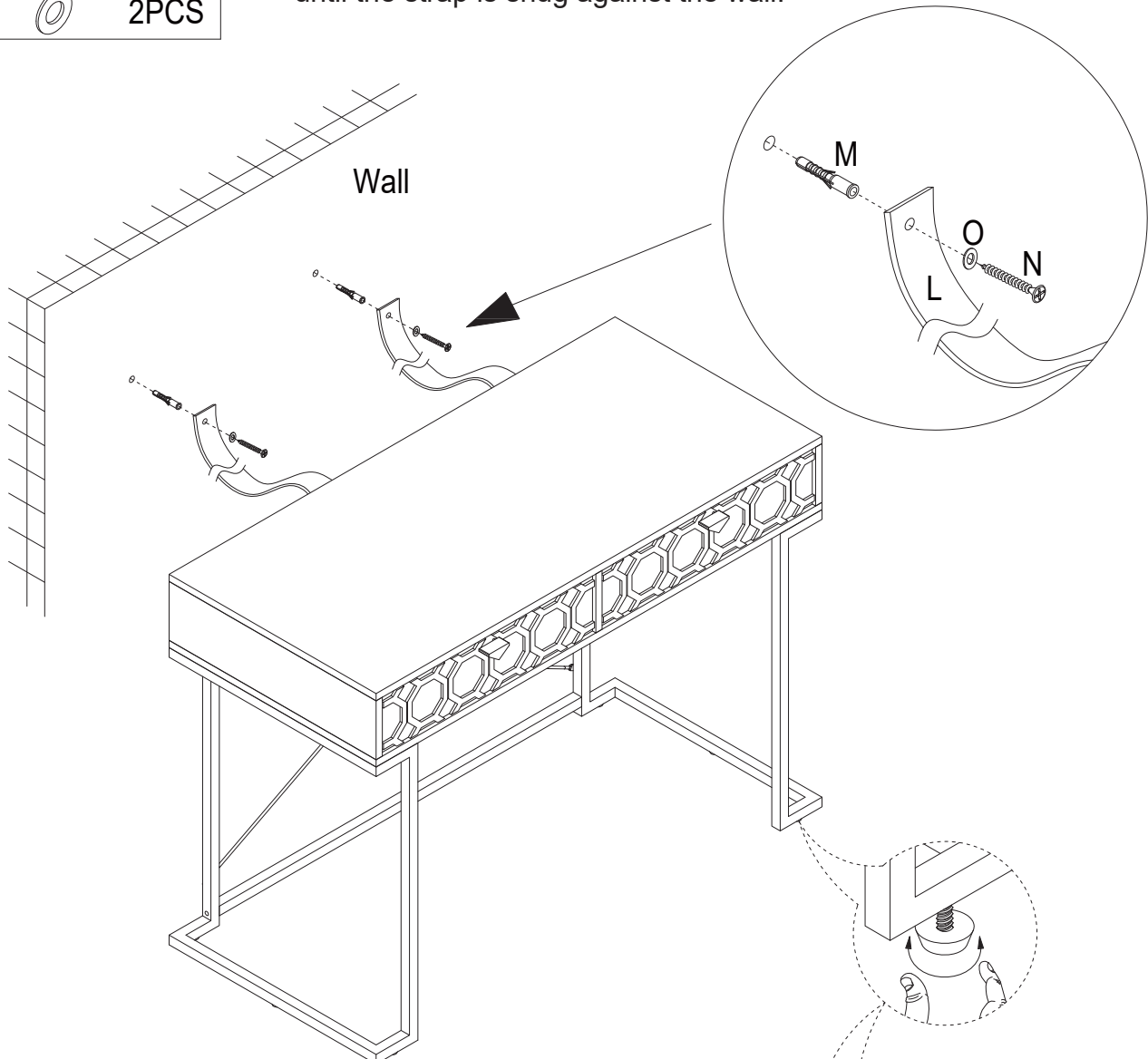
STEP 9

M:		2PCS
N:		2PCS
O:		2PCS

Drill a 1/8" hole into the wall at the marked position.

Insert Plastic anchor (Part M) into the hole.

Drive Mounting screw (Part N) through Safety wall strap (Part L) and into the anchor, using Washer (Part O) to secure. Tighten until the strap is snug against the wall.



After installation, adjust the adjustable foot to keep the table balanced.