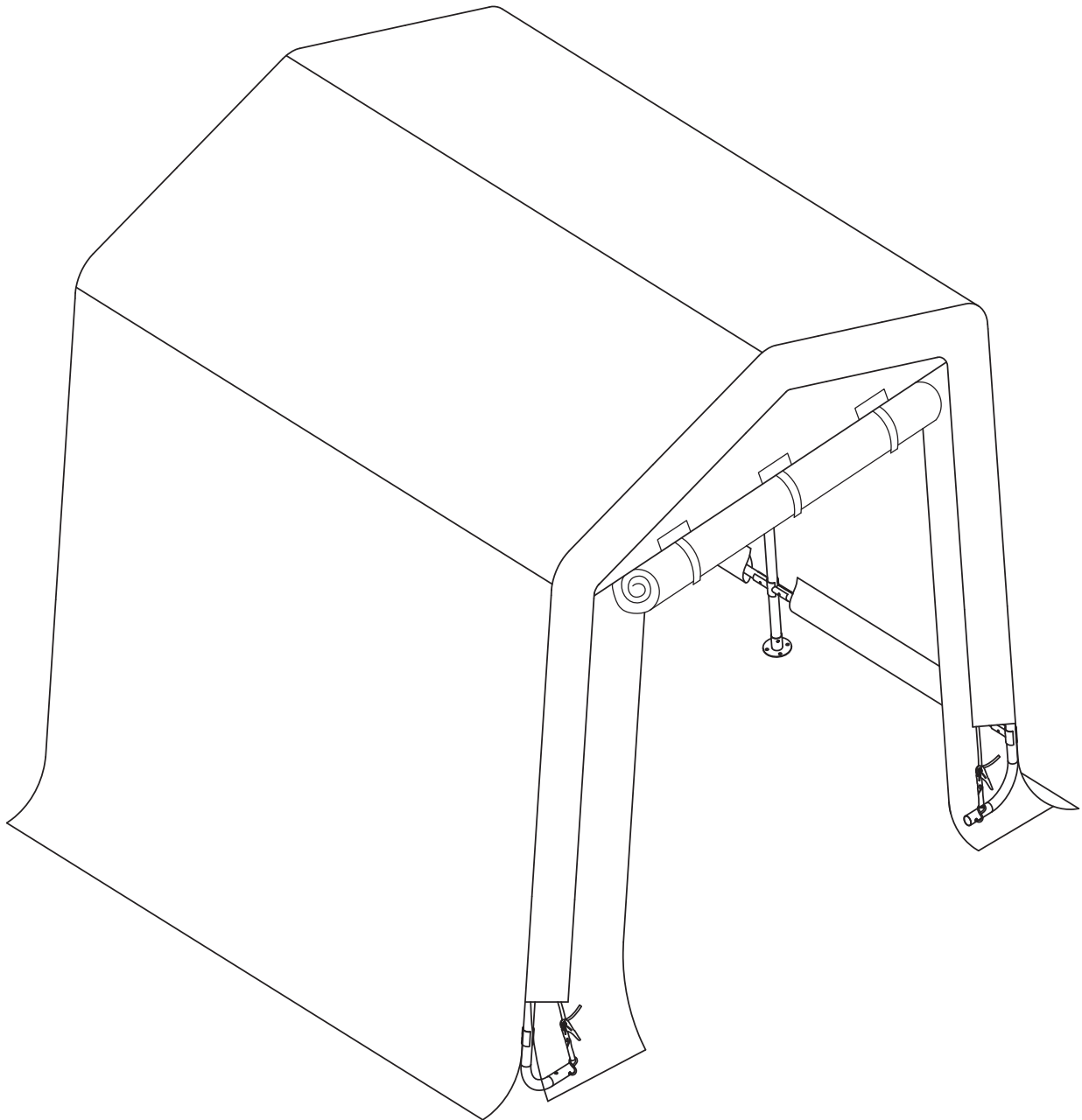


ASSEMBLY INSTRUCTIONS

8FT X 8FT CARPORT

ITEM NO.: CPX0808



Before You Start

Please read all instruction carefully.

Retain instructions for future reference.

Separate and count all parts and Hardware.

Read through each step carefully and follow the proper order.

Keep all small parts and packaging materials for this product

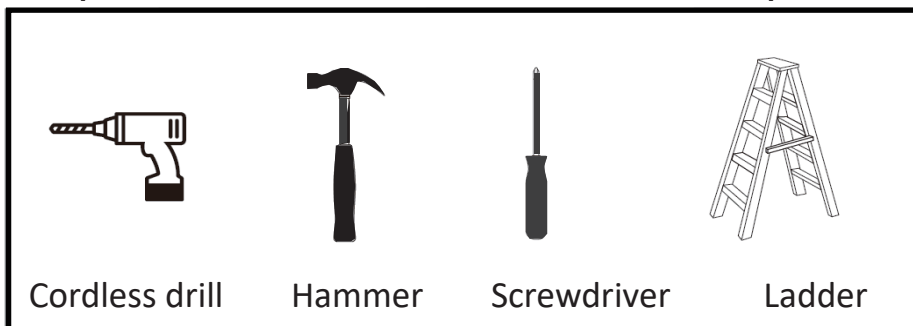
Customer Service E-mail: aftersales.group.sam@gmail.com

Important Safety Instructions



- *Keep all flame and heat sources away from this canopy fabric.
- *Please check with your local governing authority / local municipal before purchasing this item, some municipalities have restrictions and requirements.
- *This canopy should not be used during heavy wind, ice, storm, or snow conditions.
- *The accumulation of snow and ice on canopy roof may pose a safety concern. Under severe weather conditions, disassemble your canopy and store indoors. It is strongly recommended that the canopy remain secure to the ground at all times via the base plates and nylon straps supplied. Avoid placing the unit on soft ground and ground that is prone to flooding.
- *Keep all children and pets away from assembly area.
- *The Canopy should not be used by children under the age of 8 or people with mental disorders. Please do so under the supervision of the guardian if necessary, Please do not allow children to play with these parts.


















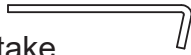
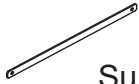

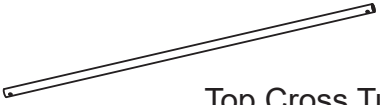
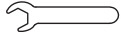

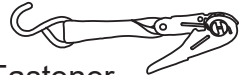

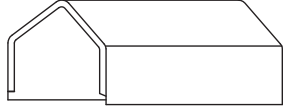
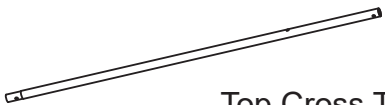
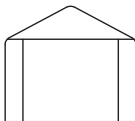
All optional tools listed below are not included in this product.



CARE AND MAINTENANCE

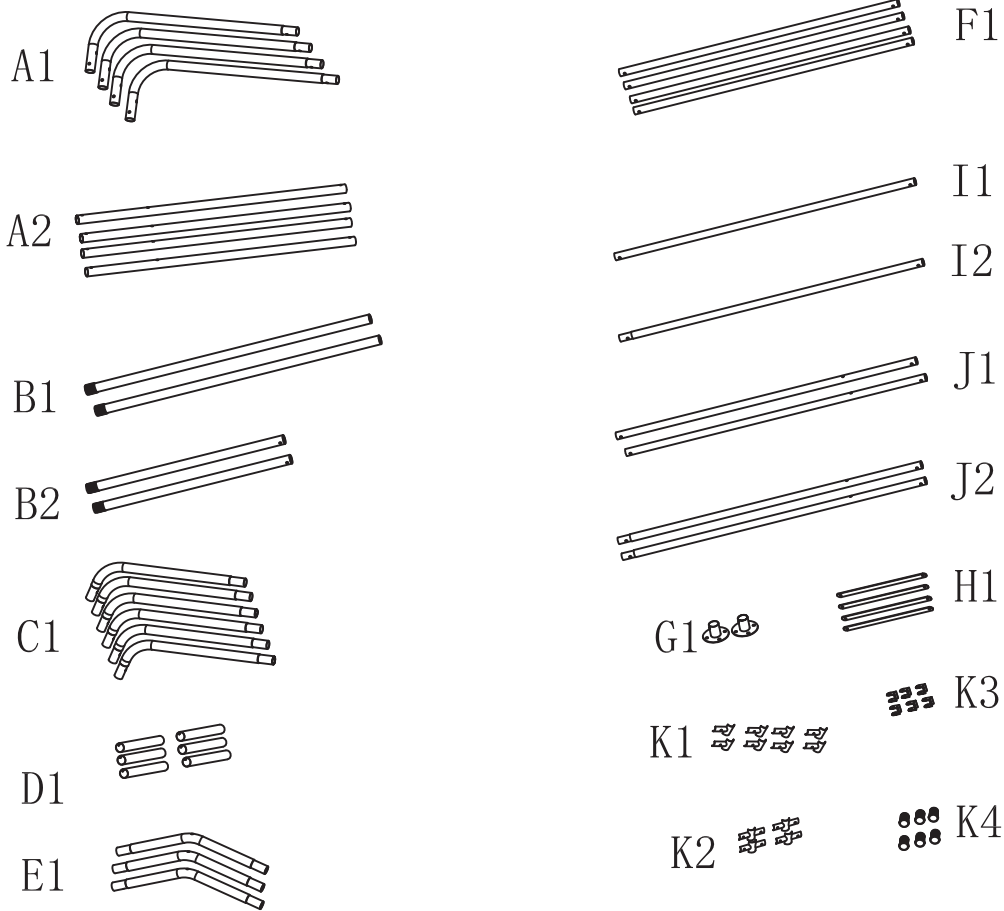
- *Our steel components for garden accessories and furniture are treated with rust inhibiting paint that protects it from rusting. However, due to the nature of steel, surface oxidation (rusting) will occur once these protective coatings are scratched. This is not a defect and thus not covered by the warranty.
- *To minimize this condition, we recommend care when assembling & handling the product to prevent scratching the paint. Should any scratching or damage occur, we recommend immediate touch-up with rust inhibiting paint.
- *Surface rust can also be easily removed with a very light application of common cooking oil. If surface oxidation (rusting) occurs and if no measure is taken to prevent this, the oxidation may start dripping on to deck or patio and caused damaging stains which may be difficult to remove.
- *This can be prevented if the above-mentioned measures are taken to keep the product from oxidizing.
- *Use damp cloth to wipe off the stains as quickly as possible.

PARTS LIST

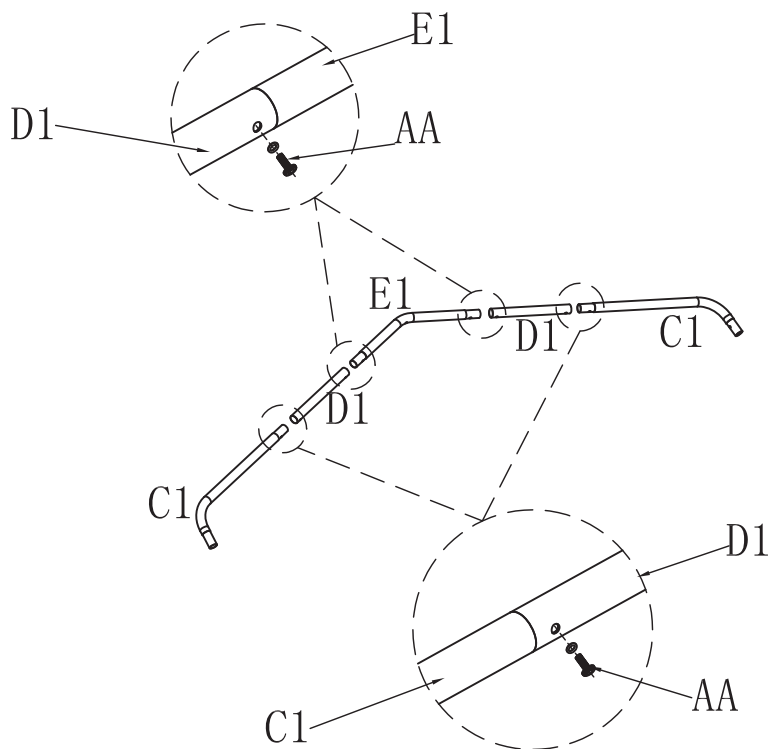
LABEL	IMAGE	QTY	LABEL	IMAGE	QTY
A1	 Lower Leg	4	K1	 Connector	8
A2	 Upper Leg	4	K2	 Connector	4
B1	 Upper Leg	2	K3	 Joint Plate	6
B2	 Lower Leg	2	K4	 Plugs	6
C1	 Top Tube	6	AA	 Bolt M6×15mm	22+2
D1	 Top Tube	6	BB	 Bolt & Nut M6×45mm	24+2
E1	 Top Tube	3	CC	 Bolt & Nut M6×70mm	3
F1	 Rod	4	DD	 Elastic Band	28
G1	 Base Plate	2	EE	 Stake	8
H1	 Support Tube	4	FF	 Allen Key	1
I1	 Top Cross Tube	1	GG	 Wrench	1
I2	 Top Cross Tube	1	HH	 Fastener	4
J1	 Top Cross Tube	2	II	 Tarp	1
J2	 Top Cross Tube	2	JJ	 Front Tarp	2

ASSEMBLY STEPS:

1 Organize all the parts and place them flat on the ground.

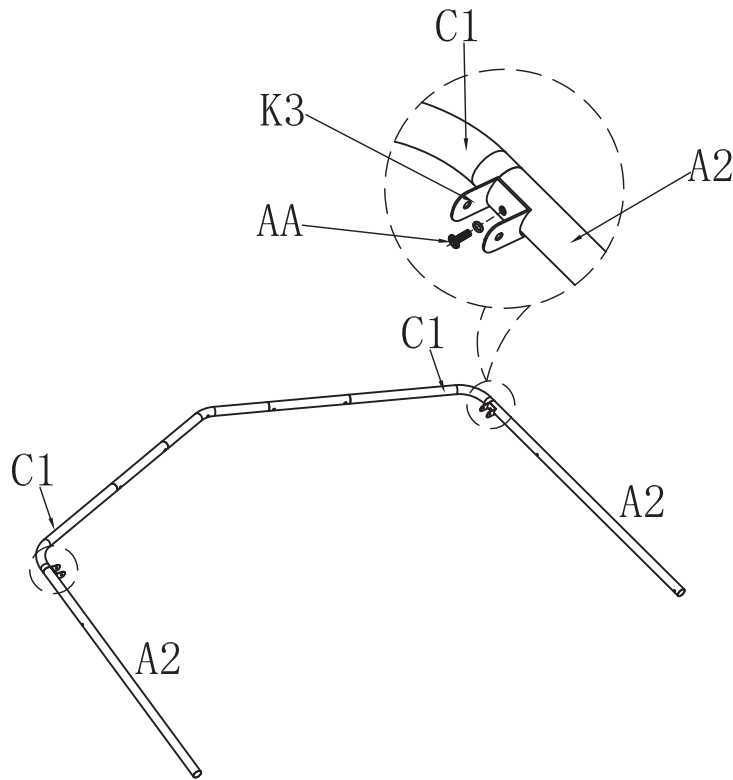


2 Connect Top Tube (C1/D1/E1), Fix by Using Bolt (AA).

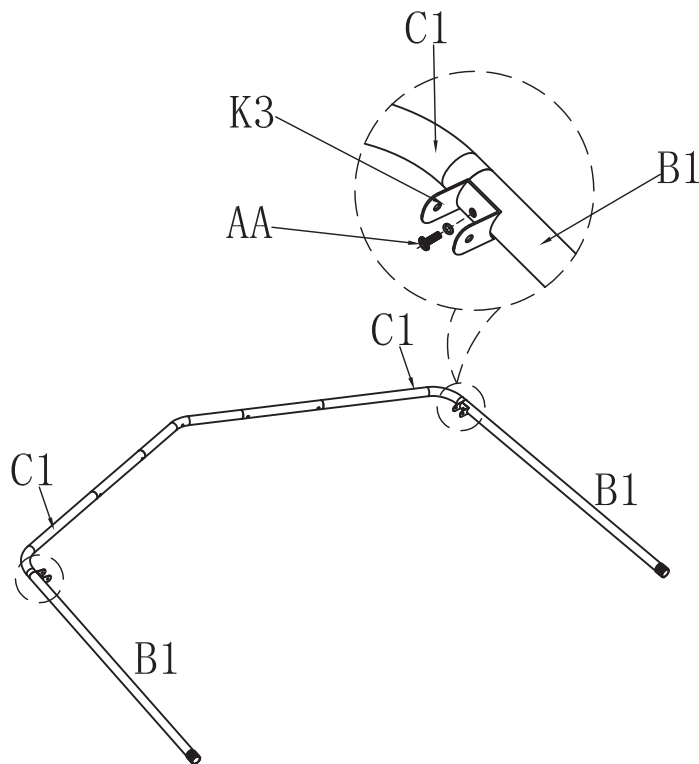


*3

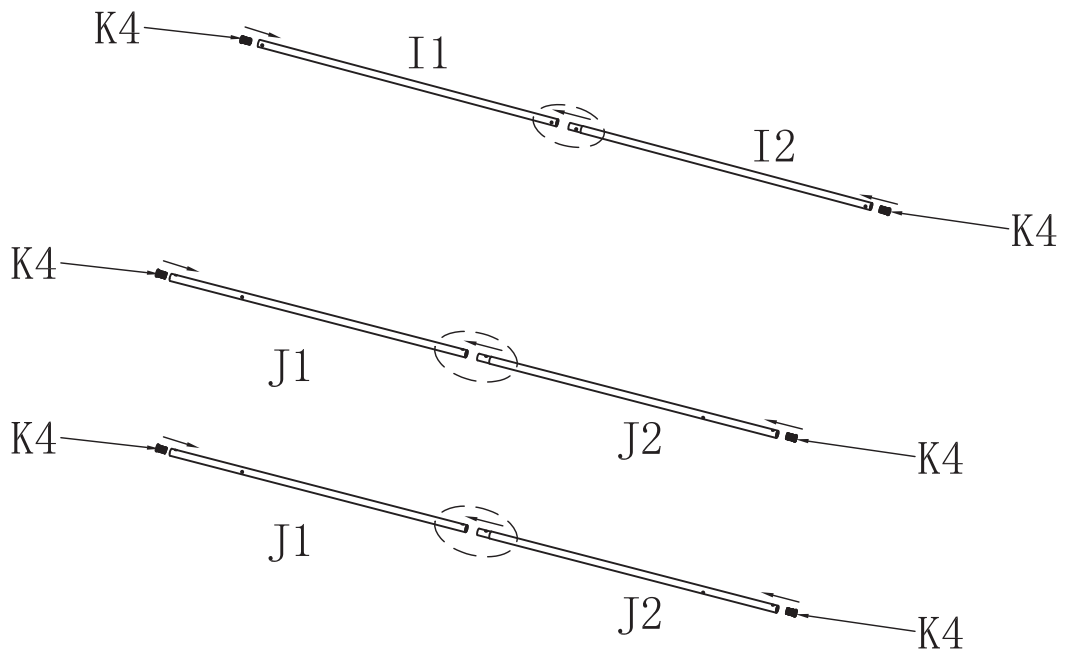
3 Assembly **Leg (A2)** / **Joint plate (K3)** with assembled Top Tube,
fix by using **Bolt (AA)**.



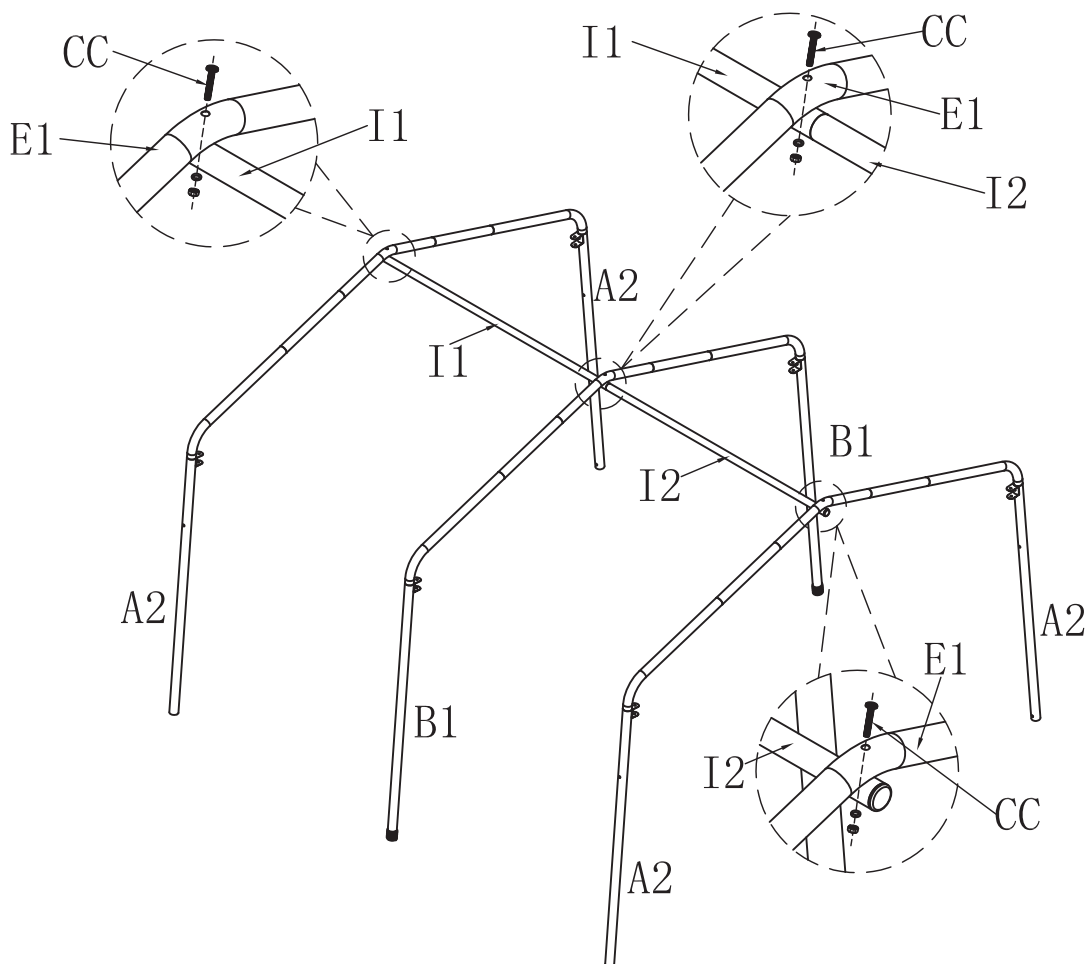
4 Assembly **Leg (B1)** / **Joint plate (K3)** with assembled Top Tube,
fix by using **Bolt (AA)**.



5 Insert **Top Cross Tube (I2)** into **Top Cross Tube(I1)**, then insert **Plugs (K4)** end of tube;
Insert **Top Cross Tube (J2)** into **Top Cross Tube(J1)**, then insert **Plugs (K4)** end of tube.

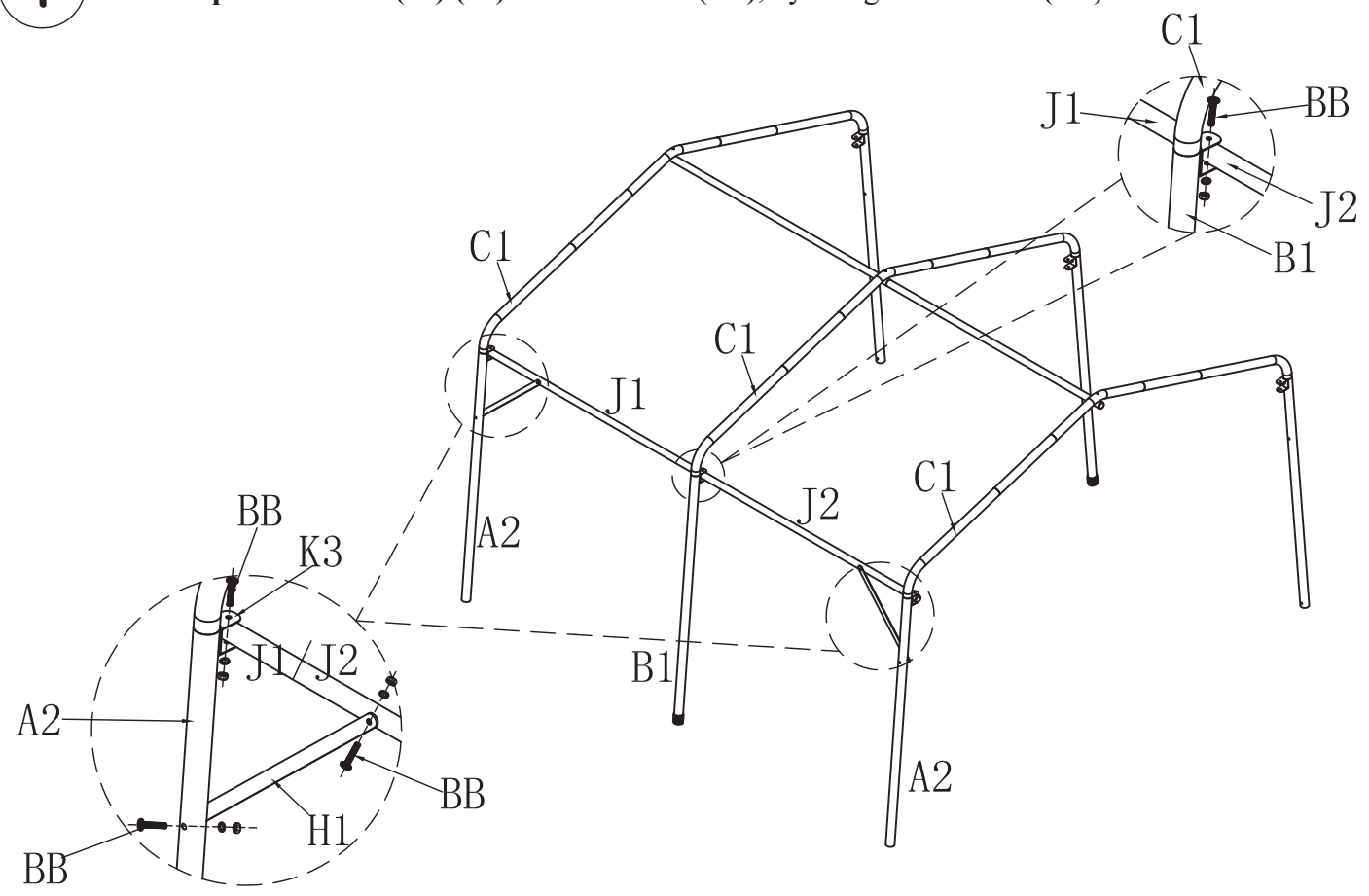


6 Connect pre-assembled Top across Tube to assembled **Top Tube (E1)**, Fix by **Bolt (CC)**.



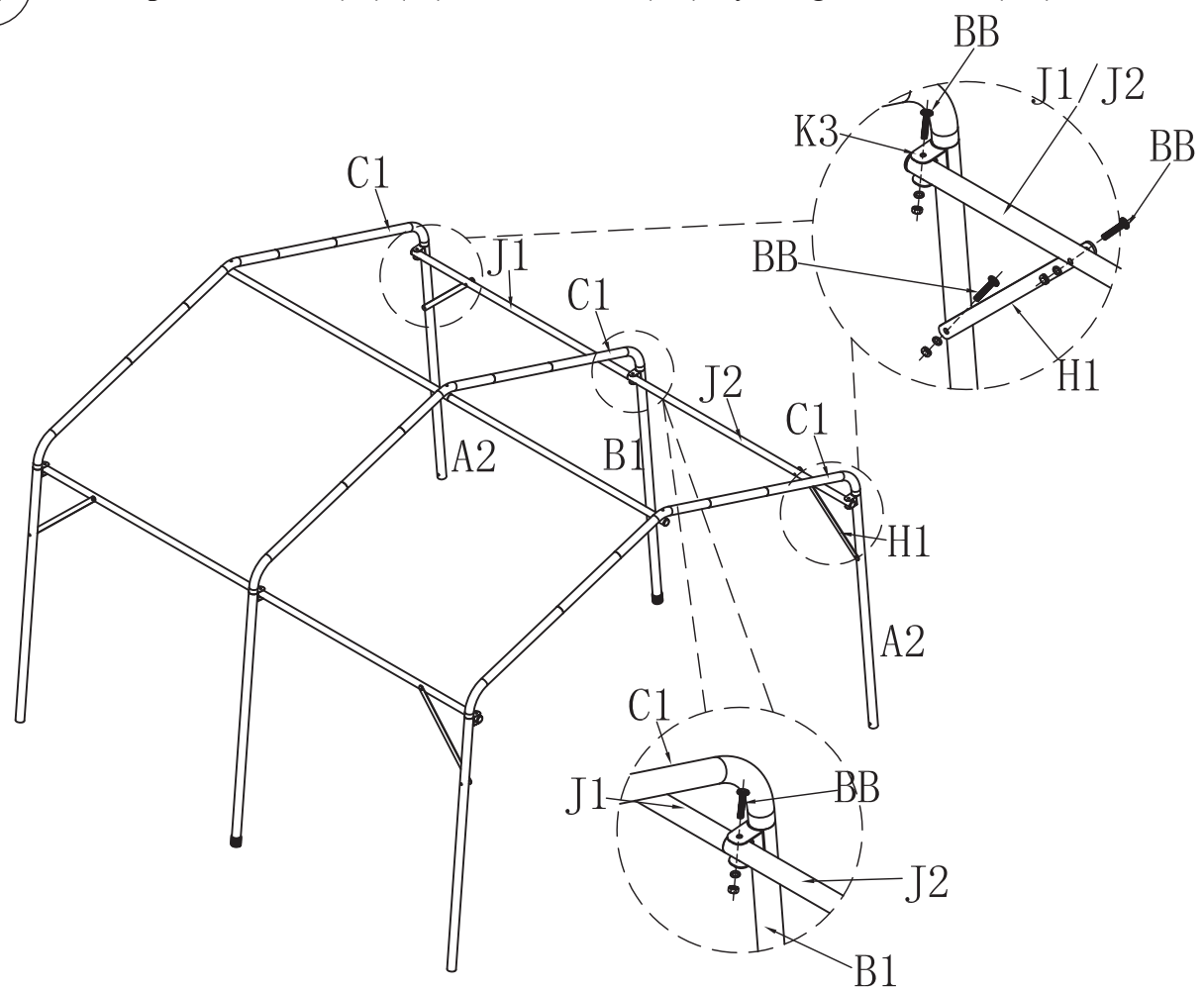
7

Attach support tube (H1) to Leg (A2) and Top Cross Tube (J1)/(J2), fix by using Bolt & Nut (BB);
Fix Top Cross Tube (J1)/(J2) to Joint Plate (K3), by using Bolt & Nut (BB).



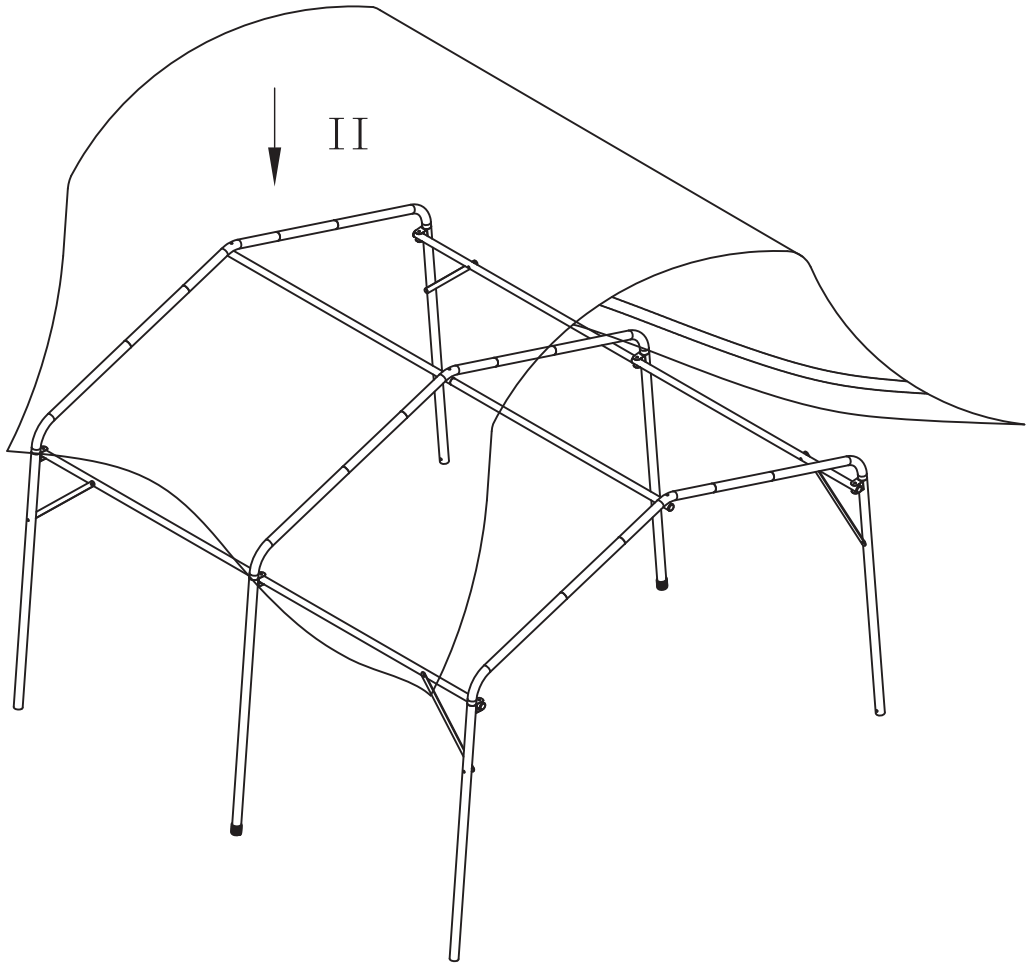
8

Attach support tube (H1) to Leg (A2) and Top Cross Tube (J1)/(J2), fix by using Bolt & Nut (BB);
Fix Top Cross Tube (J1)/(J2) to Joint Plate (K3), by using Bolt & Nut (BB).



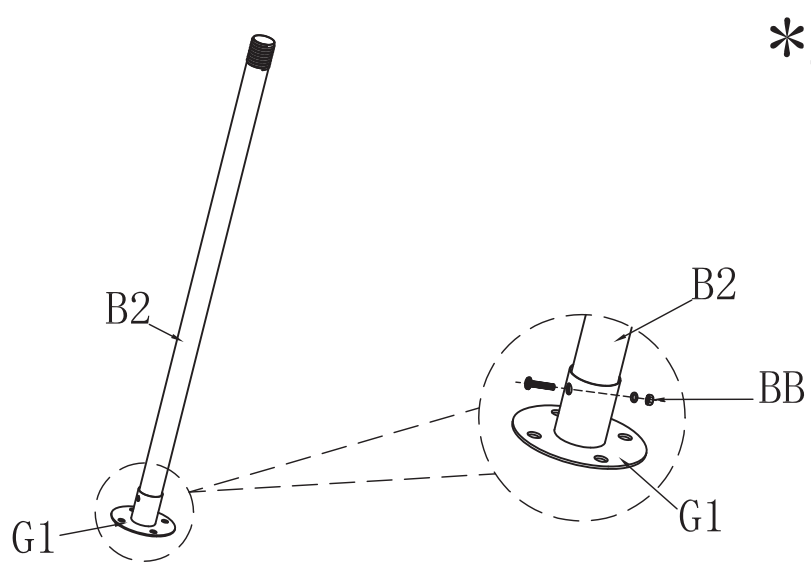
9

Attach the **Tarp (II)** to assembled frame.



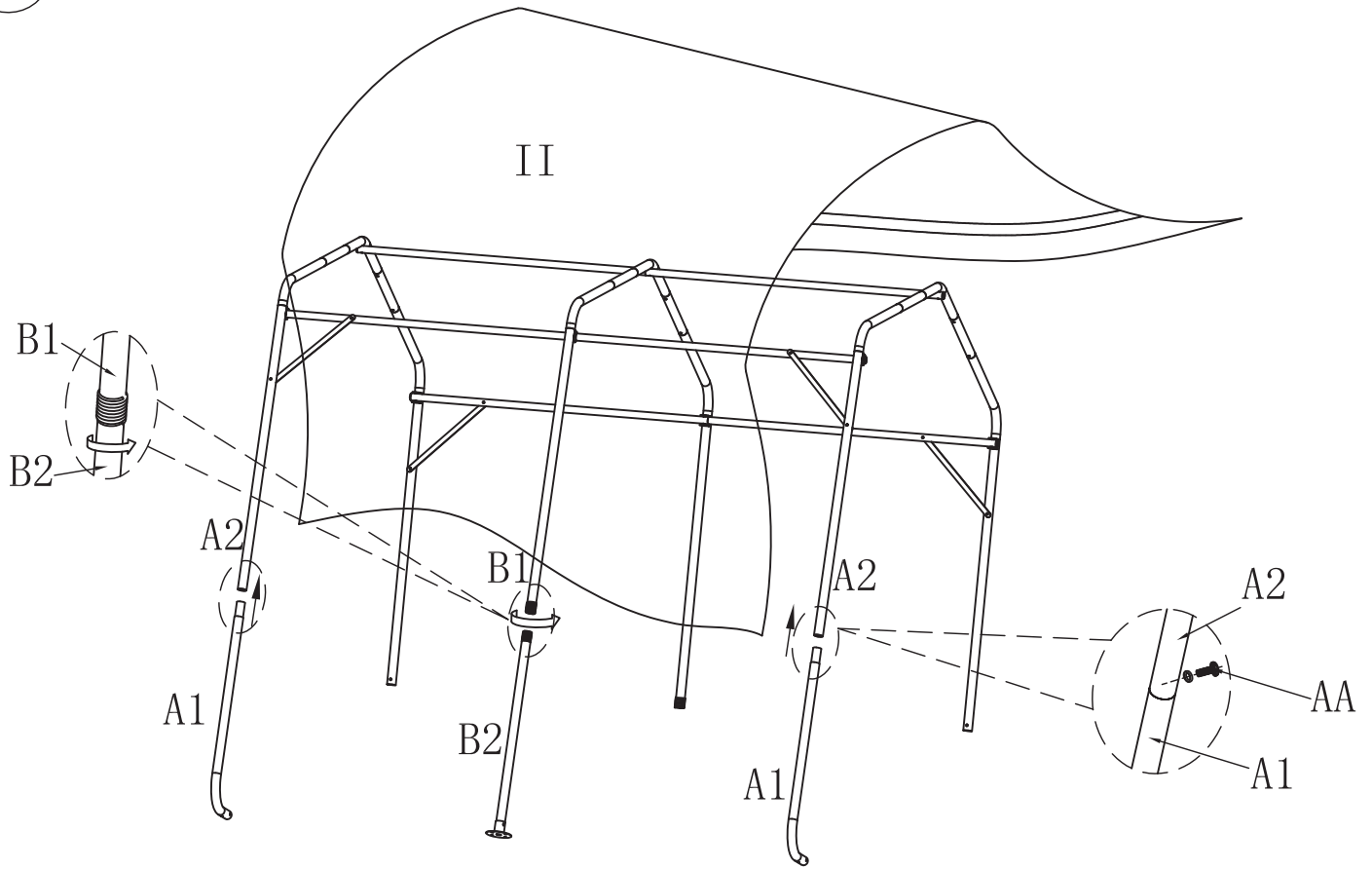
10

Pre-assembled **Lower Leg (B2)** with **Base Plate (G1)**, fix by using **Bolt & Nut (BB)**



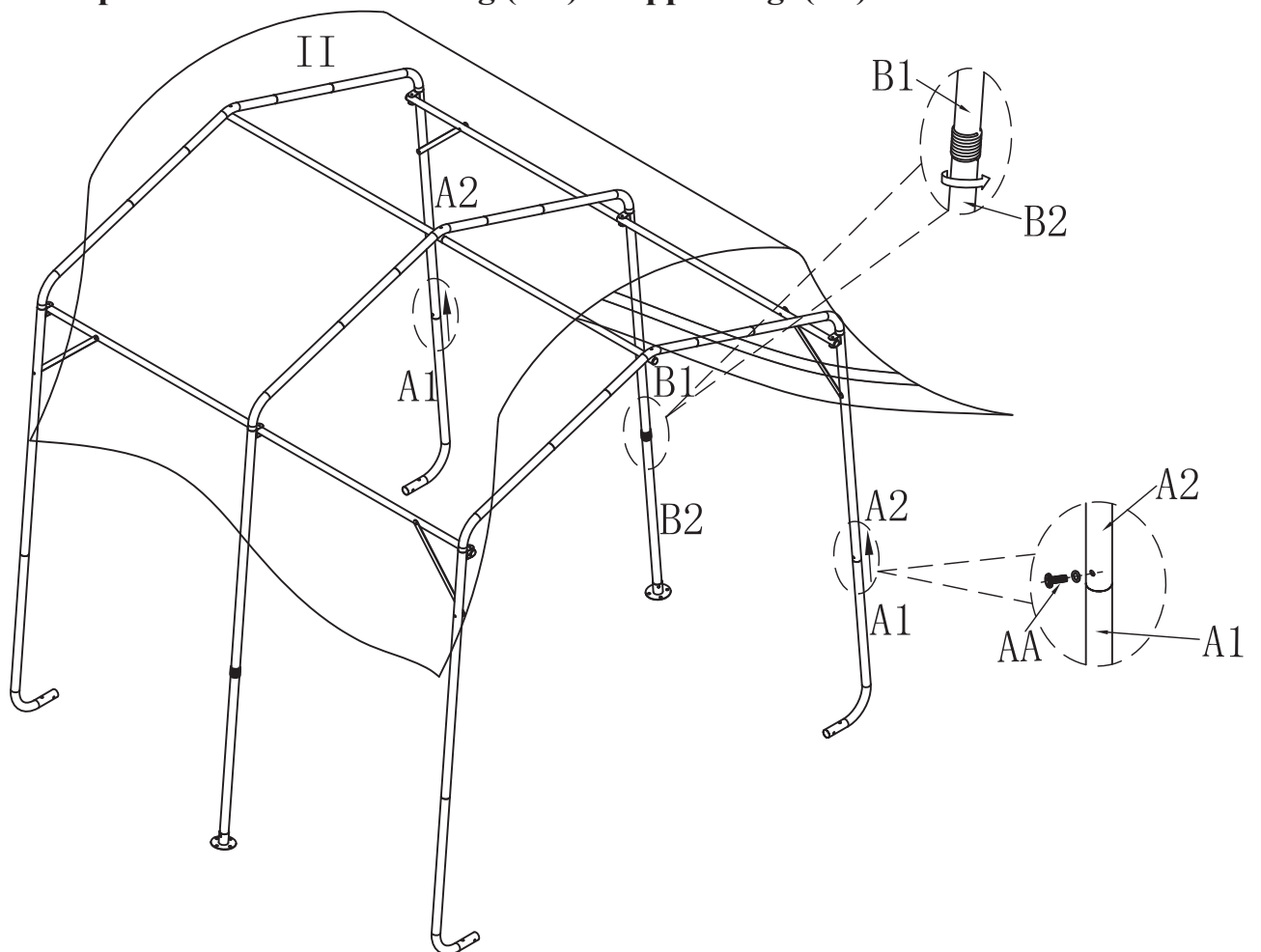
11

Insert **Lower Leg (A1)** into **Upper Leg (A2)**, fix by using **bolt (AA)**;
attach **pre-assembled Lower Leg (B2)** to **upper Leg (B1)**.

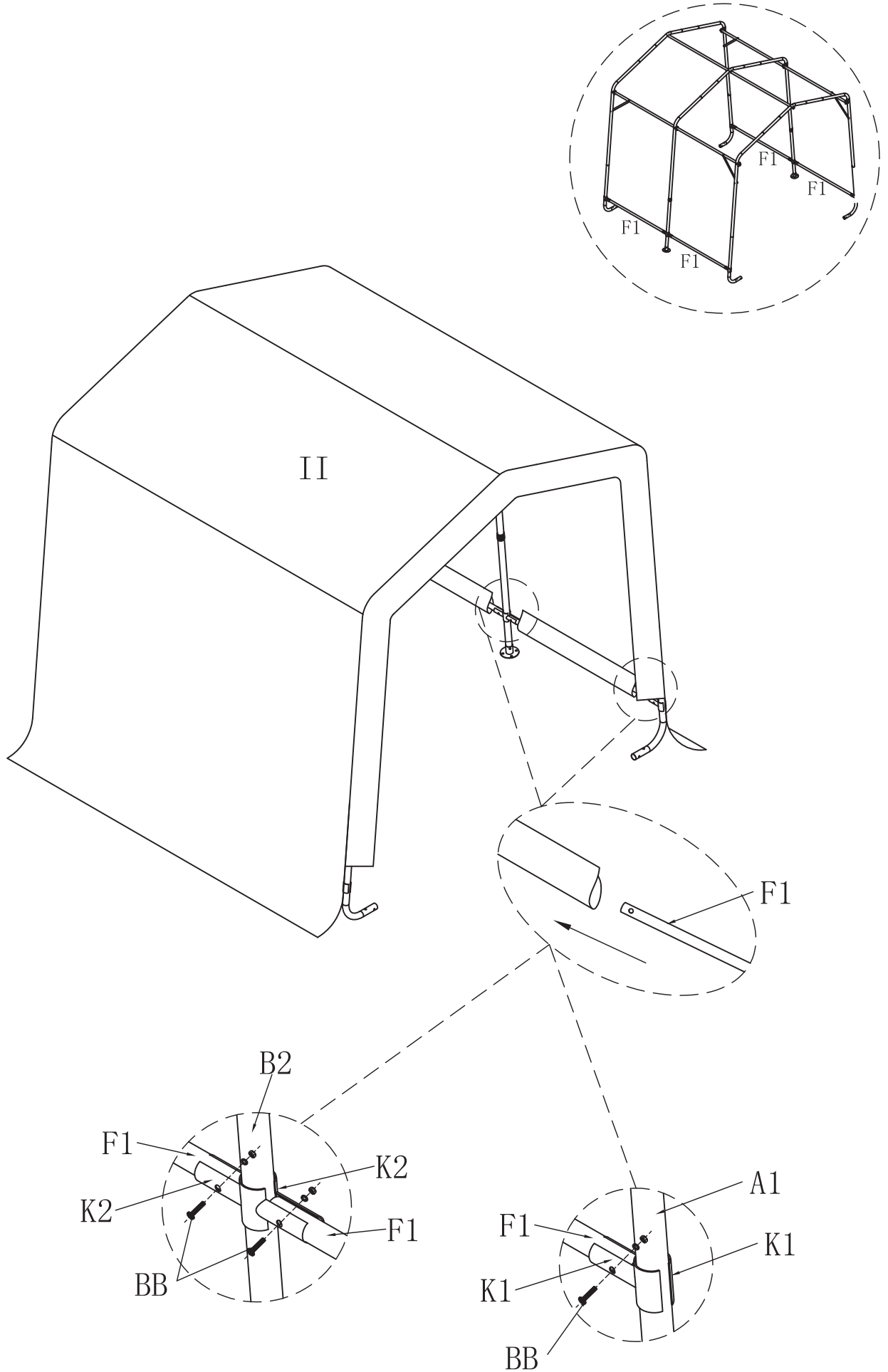


12

Insert **Lower Leg (A1)** into **Upper Leg (A2)**, fix by using **bolt (AA)**;
attach **pre-assembled Lower Leg (B2)** to **upper Leg (B1)**.

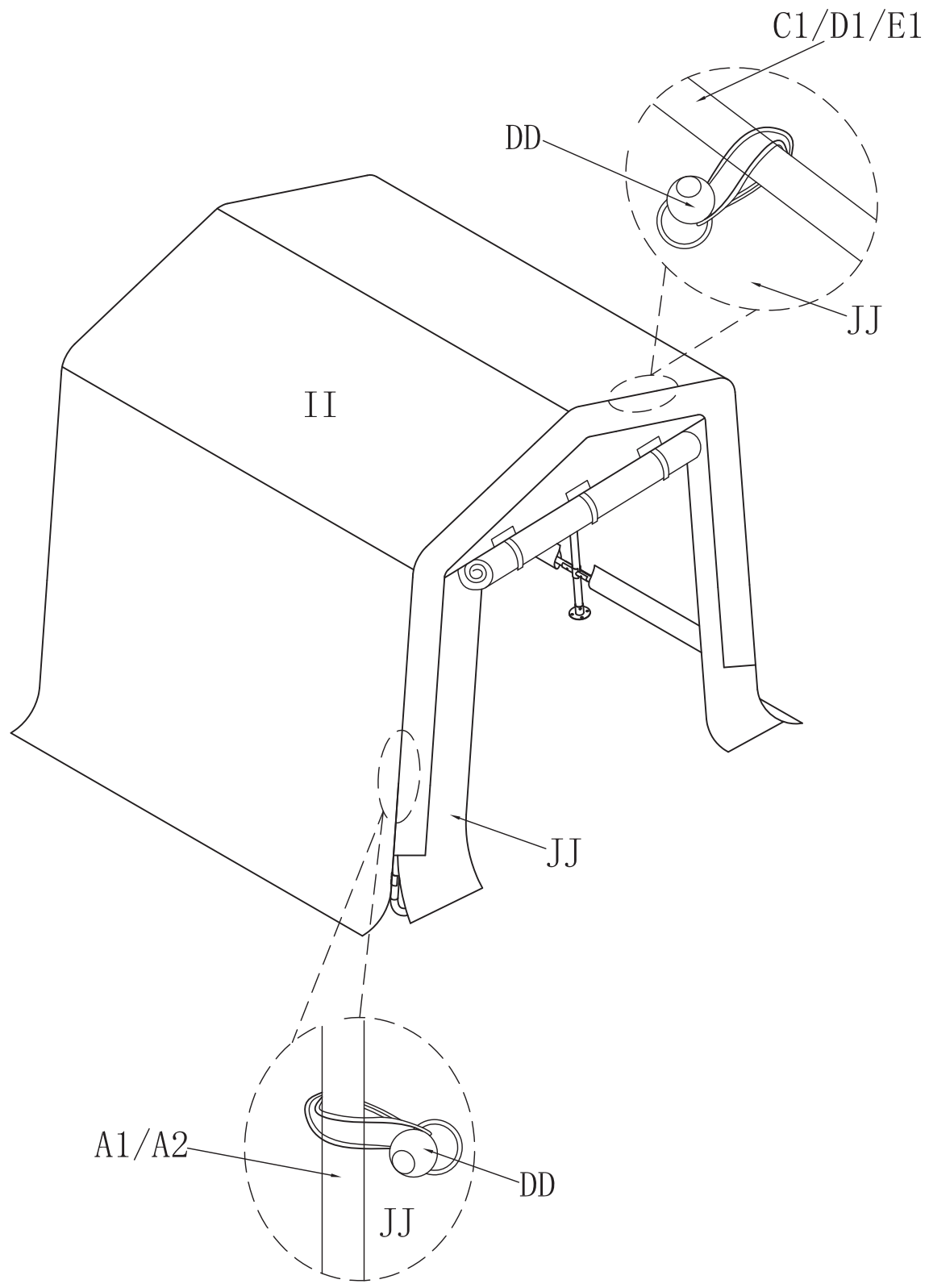


13 Insert **Rod (F1)** into bottom of **Tarp (II)**, fix Rod to **lower Leg (A1)/(B2)** by using **connector (K1) / (K2)** and **Bolt & Nut (BB)**.



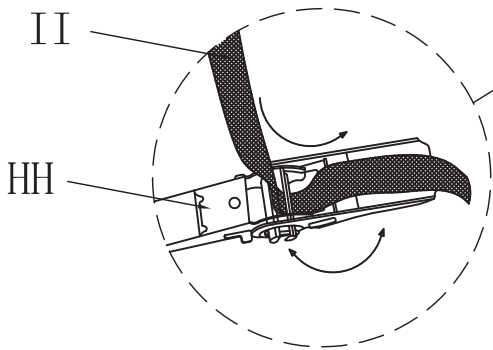
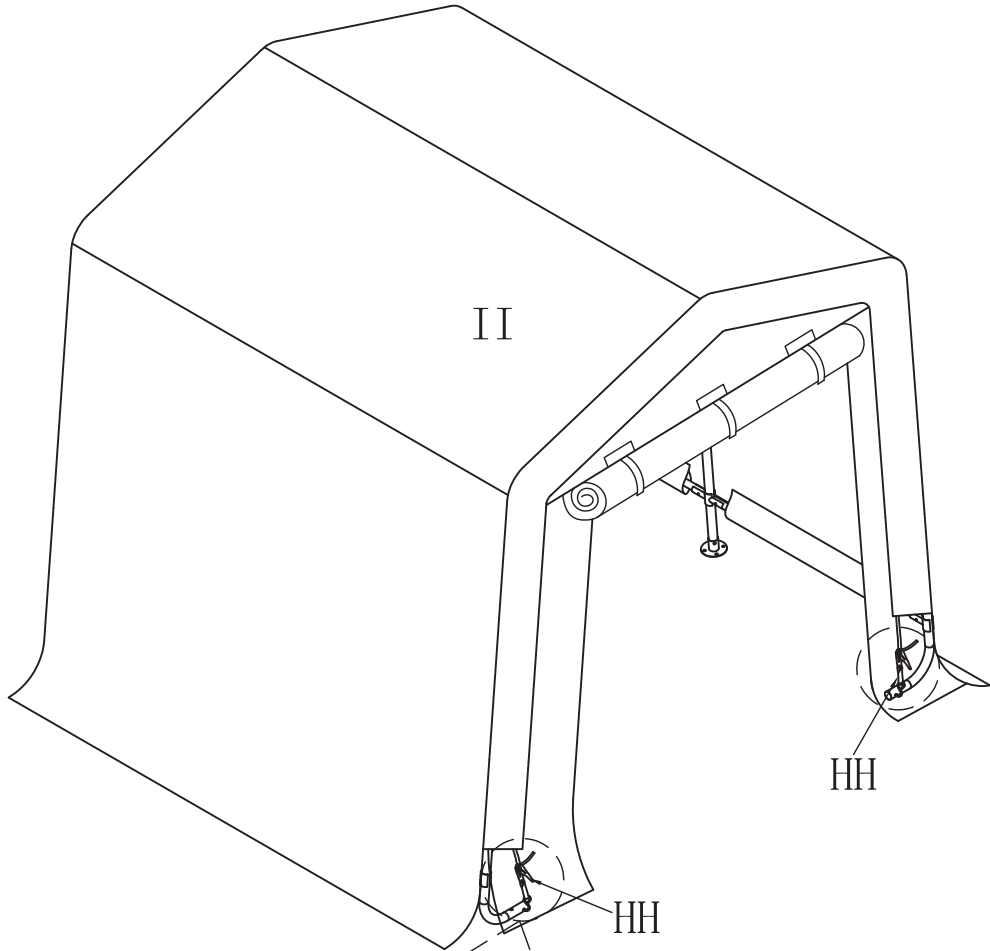
14

Attach **Front Tarp (JJ)** to frame, fix by **Elastic Band (DD)**.

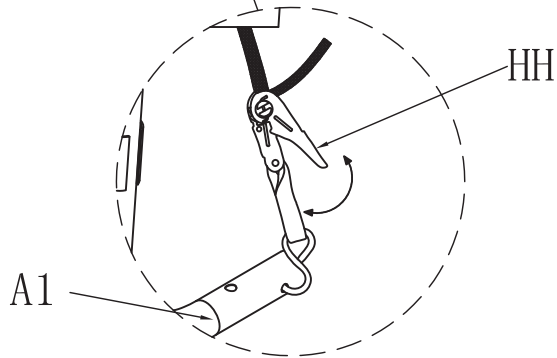


15

Fix the Tarp(II) to Bottom of Leg.



Step 1: Put Webbing through Fastener (HH) repeatedly shake to secure it tightly.



Step 2: Fix Fastener (HH) to Leg (A1).

16

Fix Assembled Carport on Ground by using Stake (EE)

