



**FST36**

---

## **Instruction Manual**

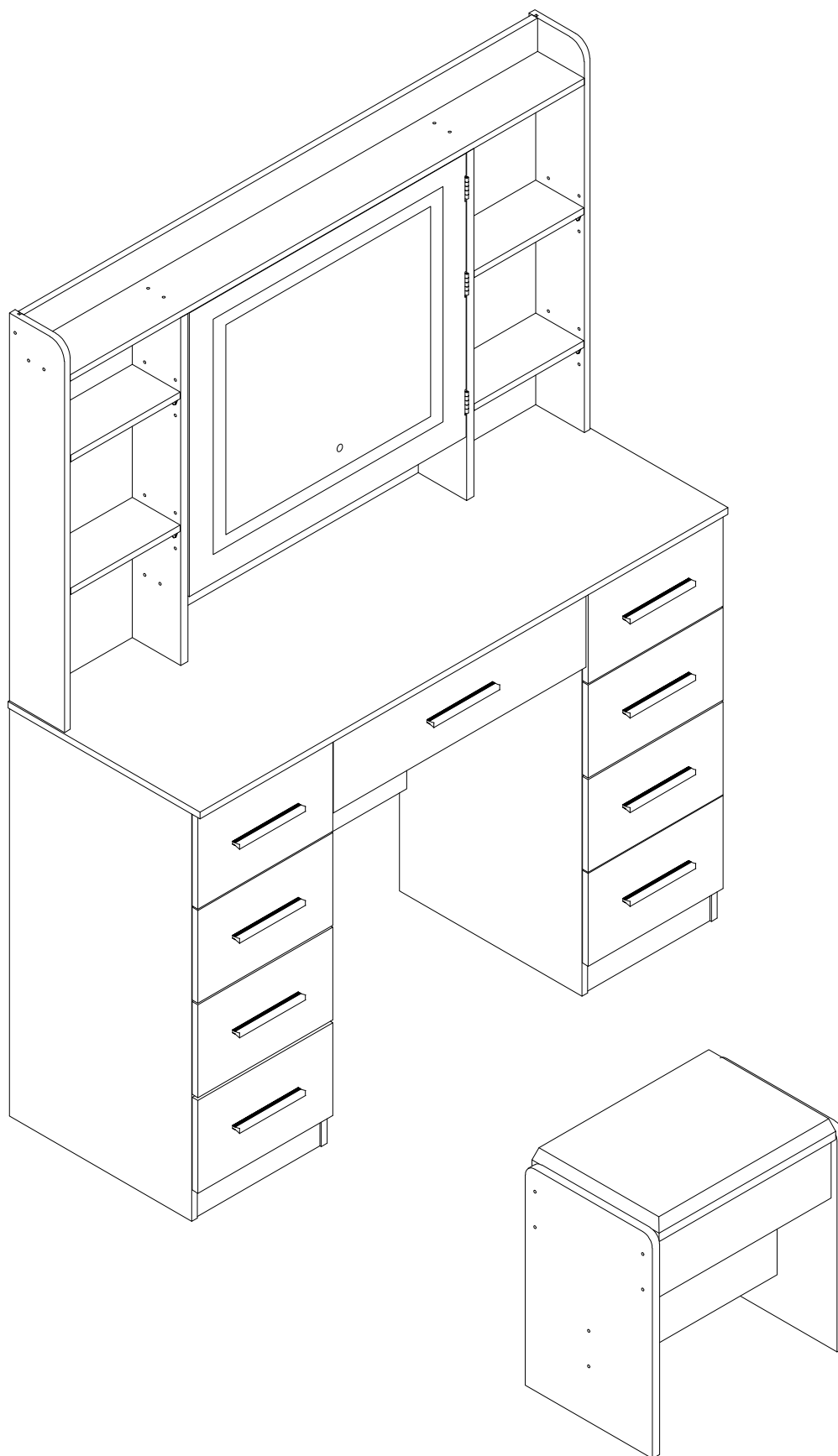
---

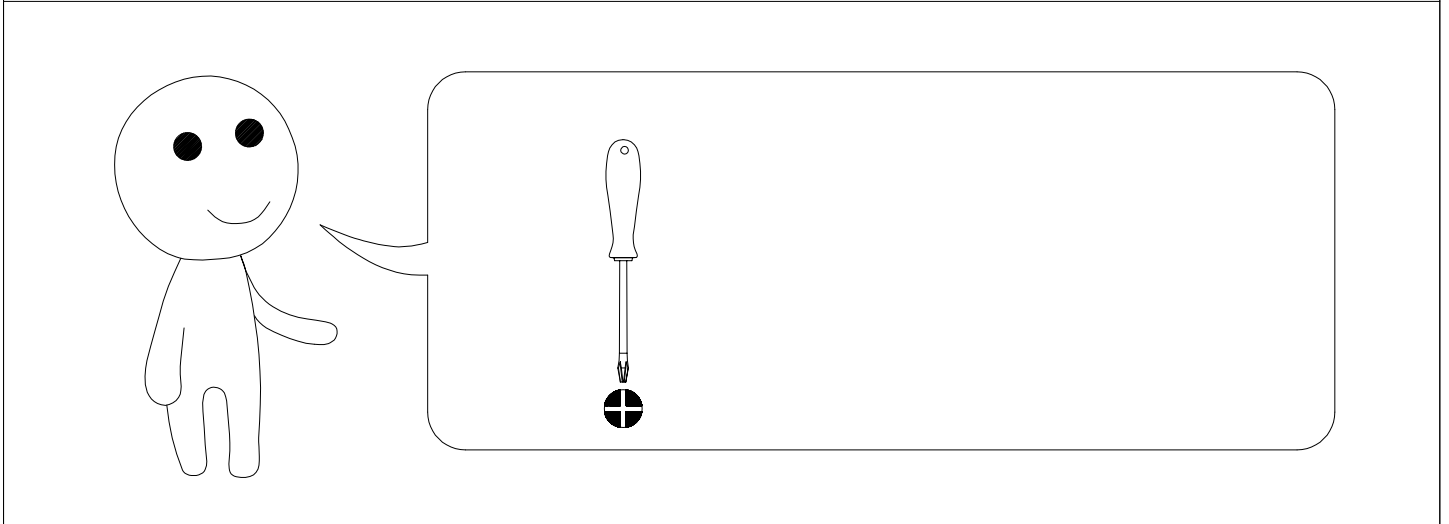
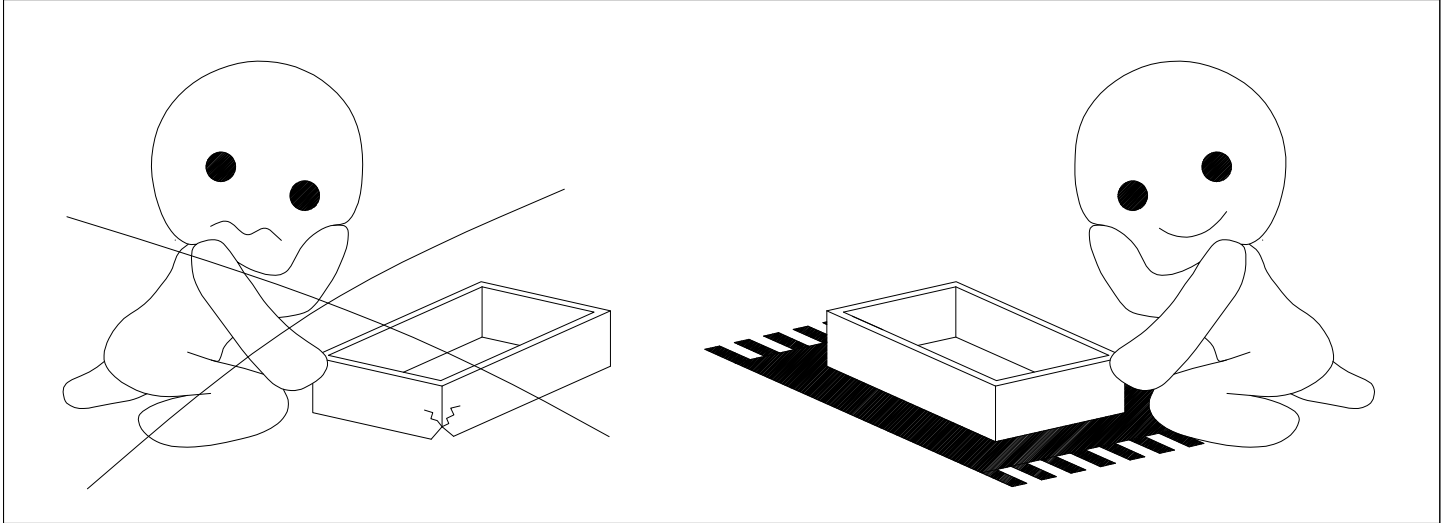
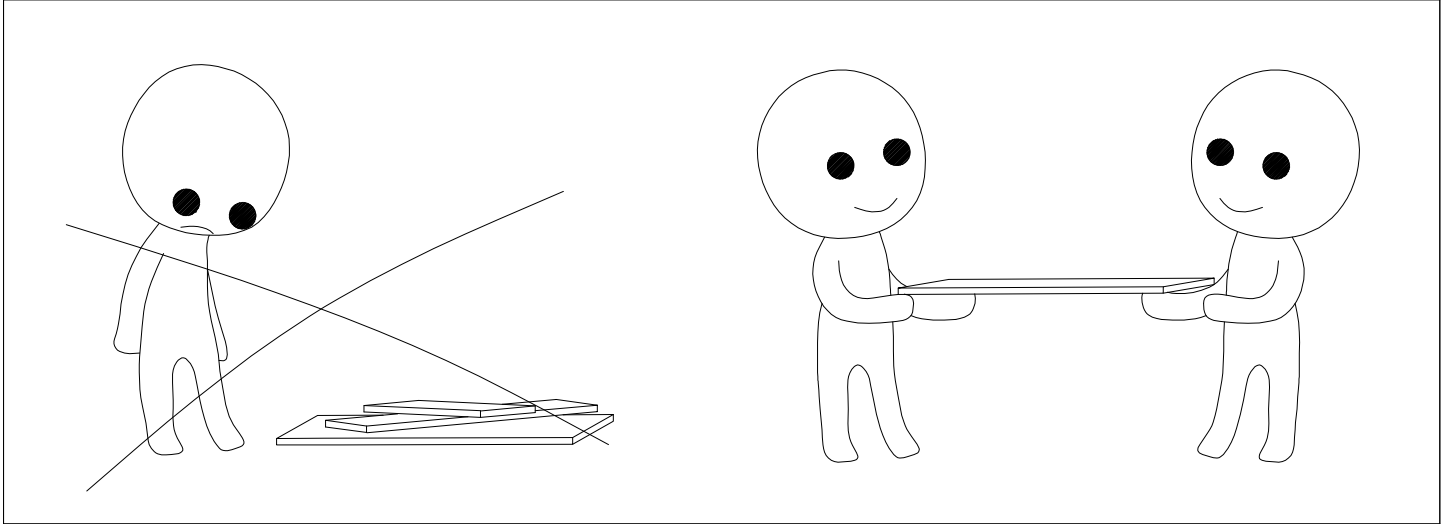
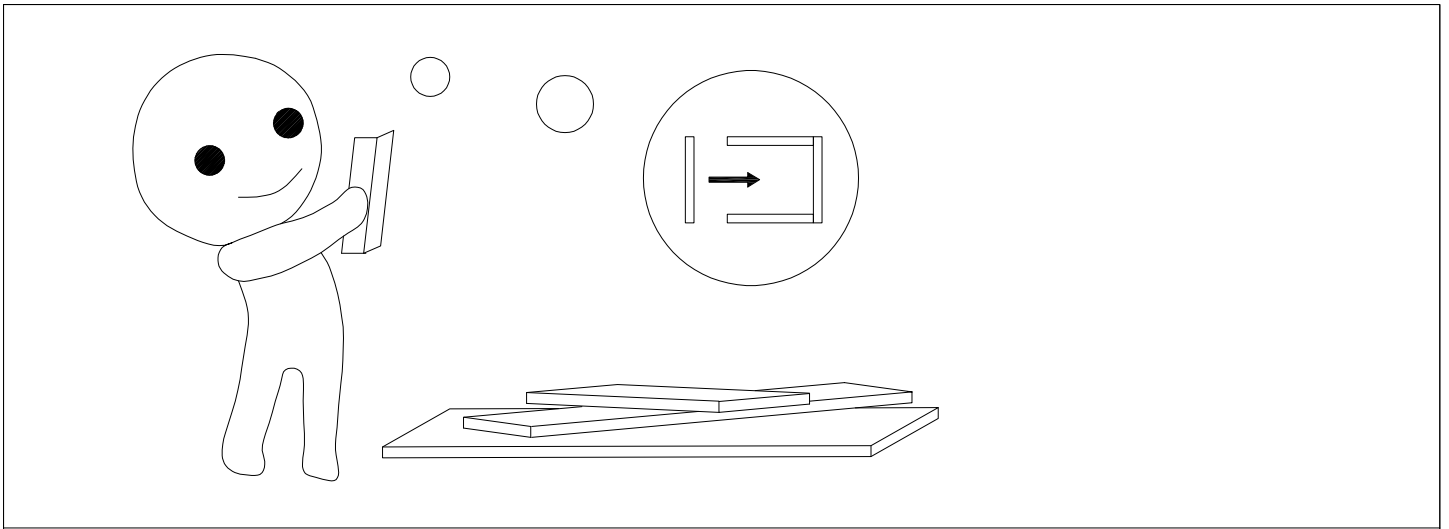
Thanks a lot your support and purchasing.

Please feel free to contact us if you have any questions with assembly or need replacement parts.

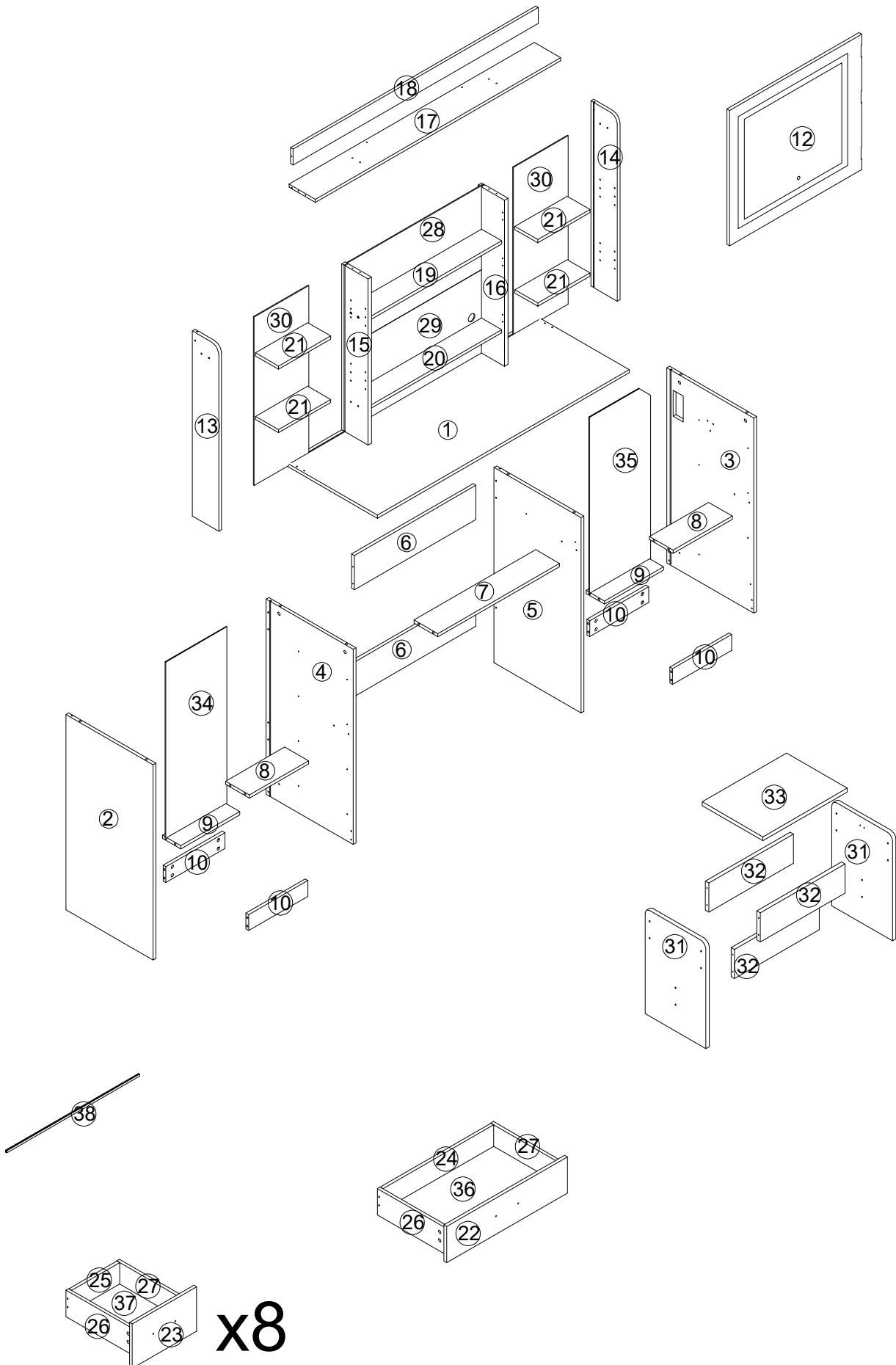
# Assembly Instruction

Decorate your home, Brighten wonderful life



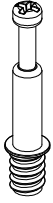


# PLATE NUMBER



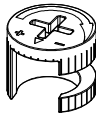
# ACCESSORIES LIST

A ×78



M6×35

B ×78



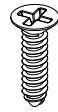
12×10

C ×82



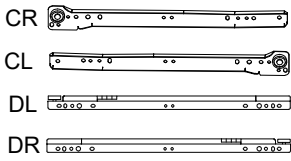
M5×40

D ×73



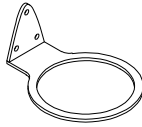
M3×12

E ×9

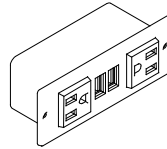


M300

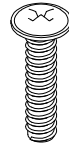
F ×1



G ×1

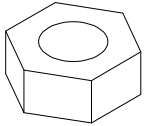


H ×3



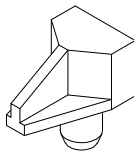
M4×18

J ×3

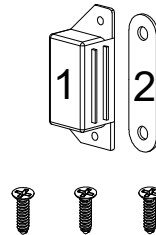


M4

K ×16



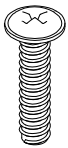
M ×1



N ×8

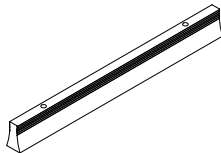


P ×18

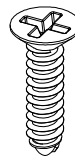


M4×14

Q ×9

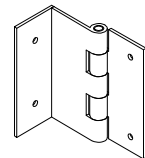


R ×14

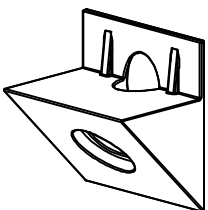


M3.5×12

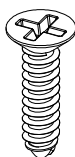
S ×3



T ×30

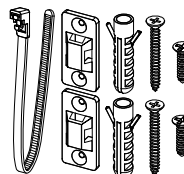


U ×38

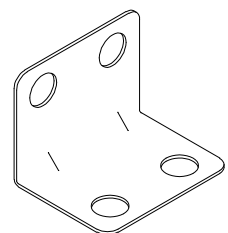


M3.5×14

V ×1

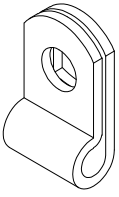


W ×2

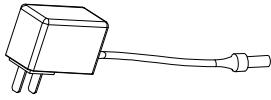


Y

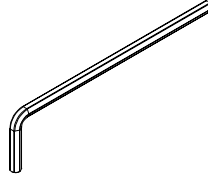
x1



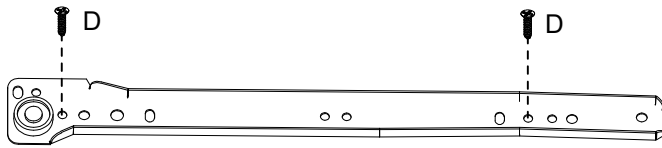
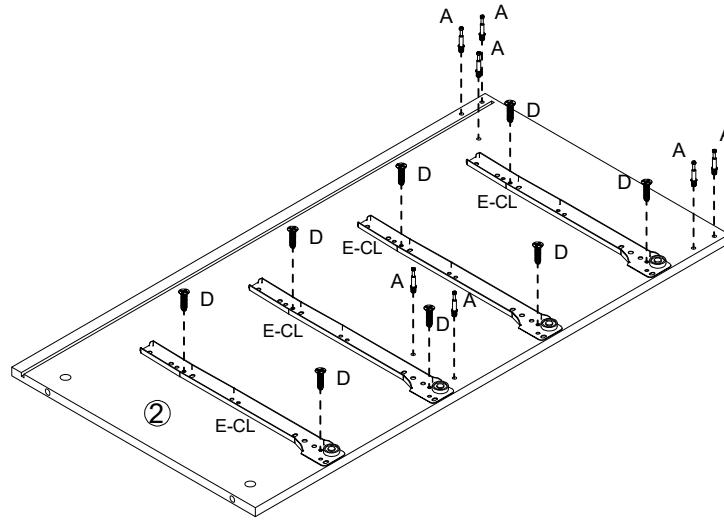
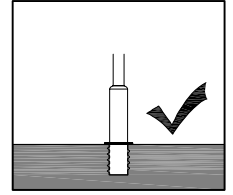
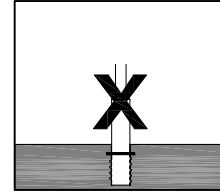
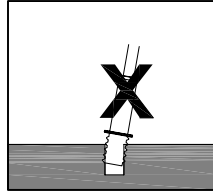
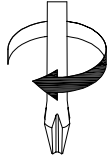
x1



x1



# STEP1



E-CLx4

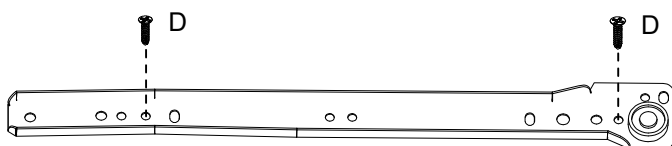
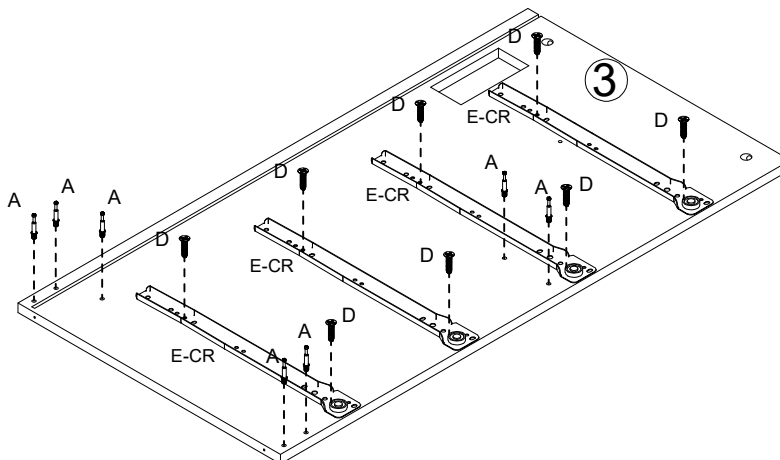
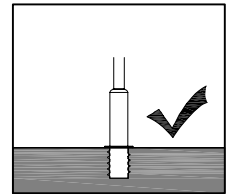
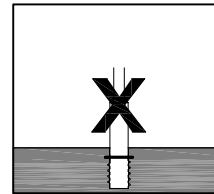
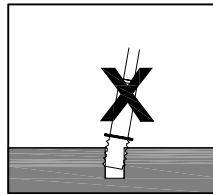
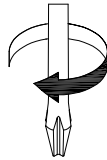


Ax7



Dx8

# STEP2



E-CRx4

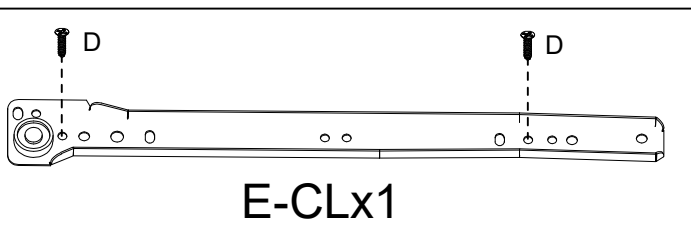
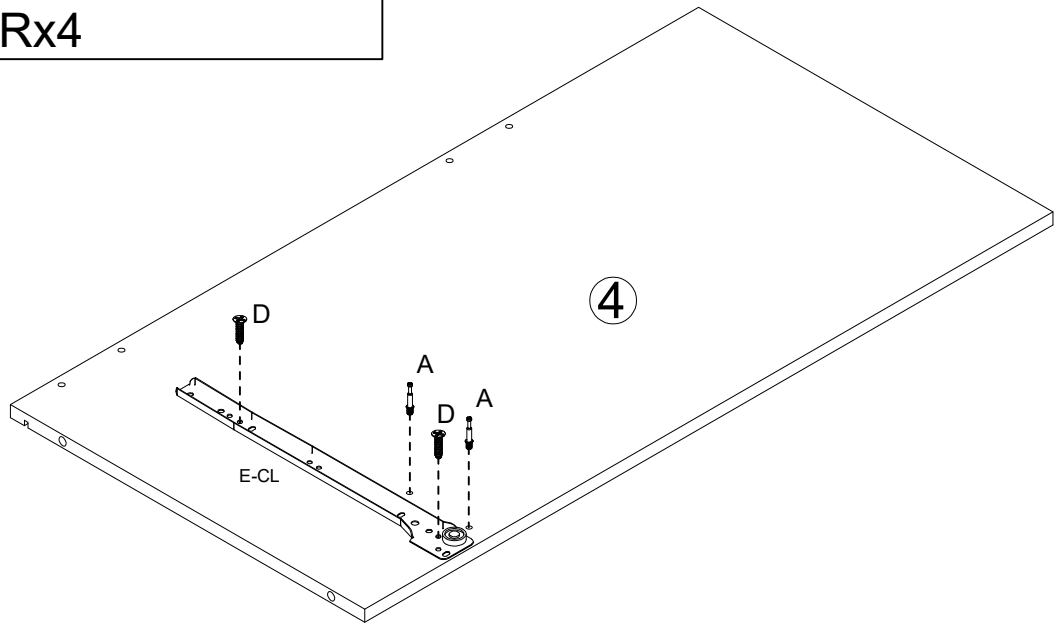
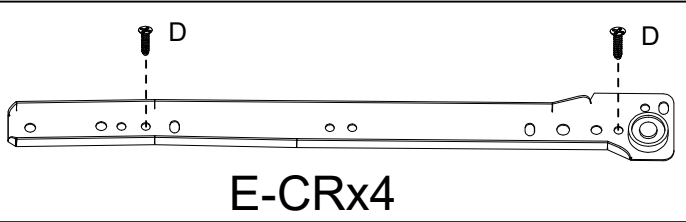
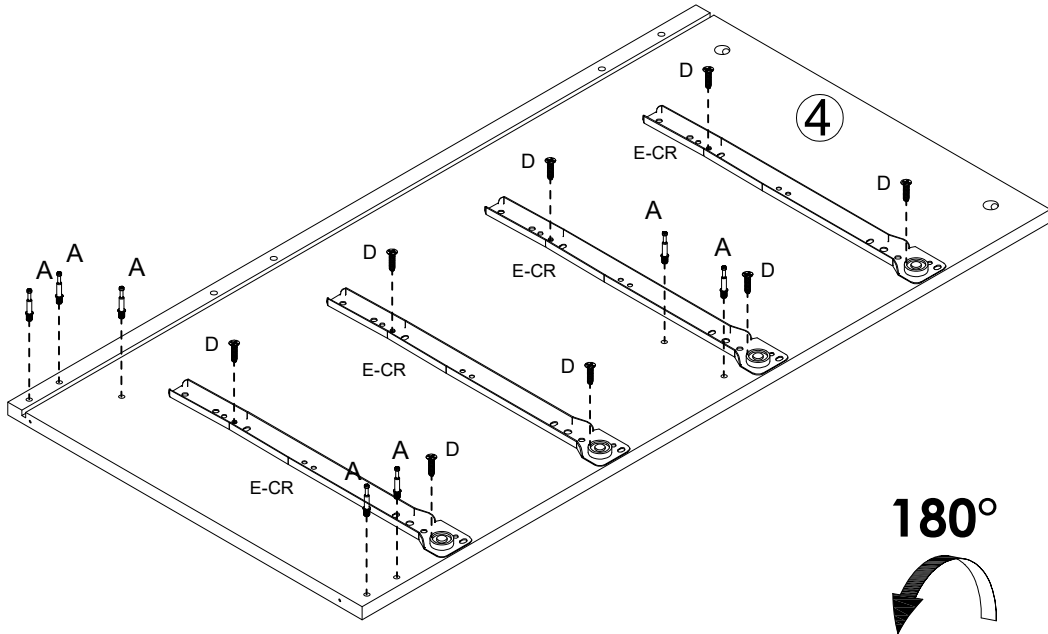
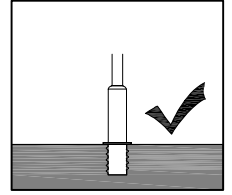
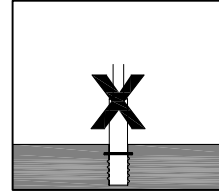
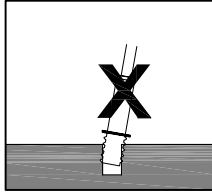
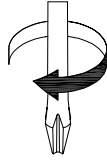


Ax7



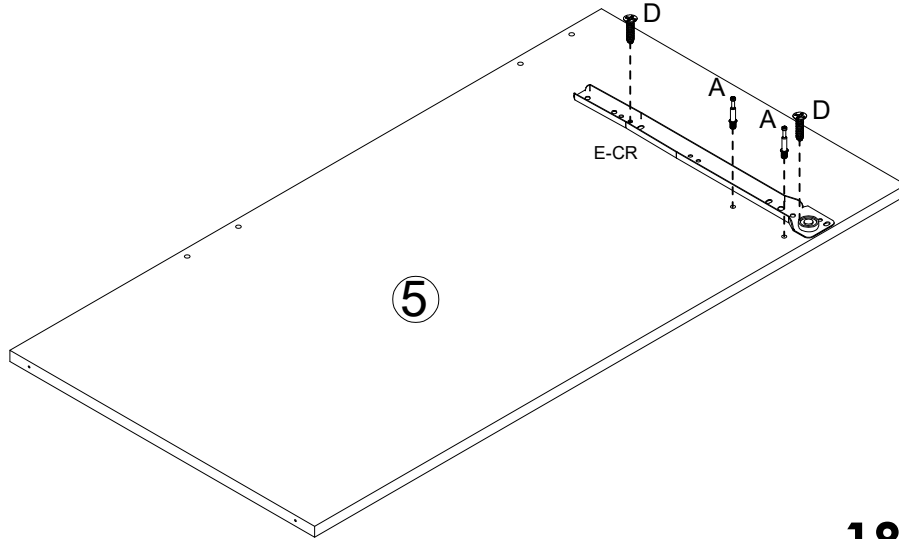
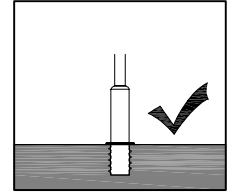
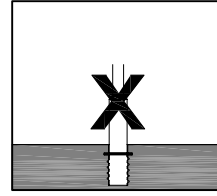
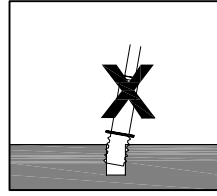
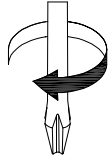
Dx8

# STEP3

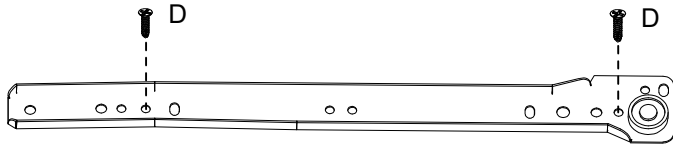


<b>Ax9</b>	<b>Dx10</b>

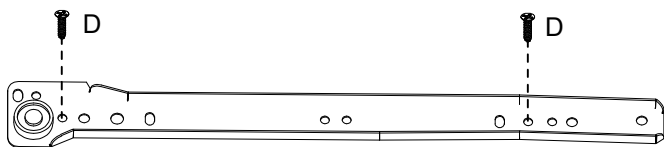
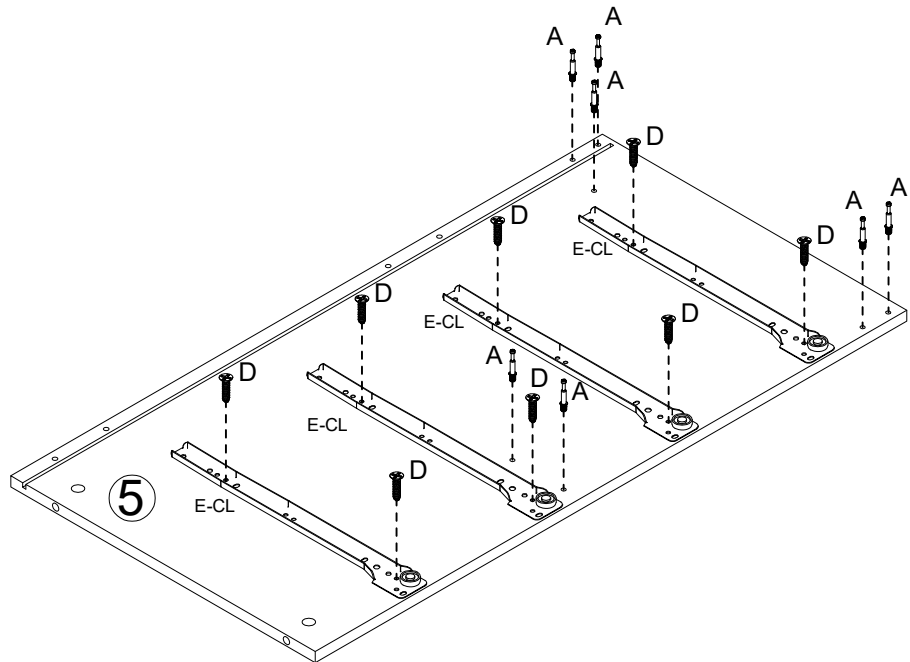
# STEP4



180°



E-CRx1



E-CLx4

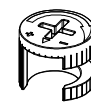
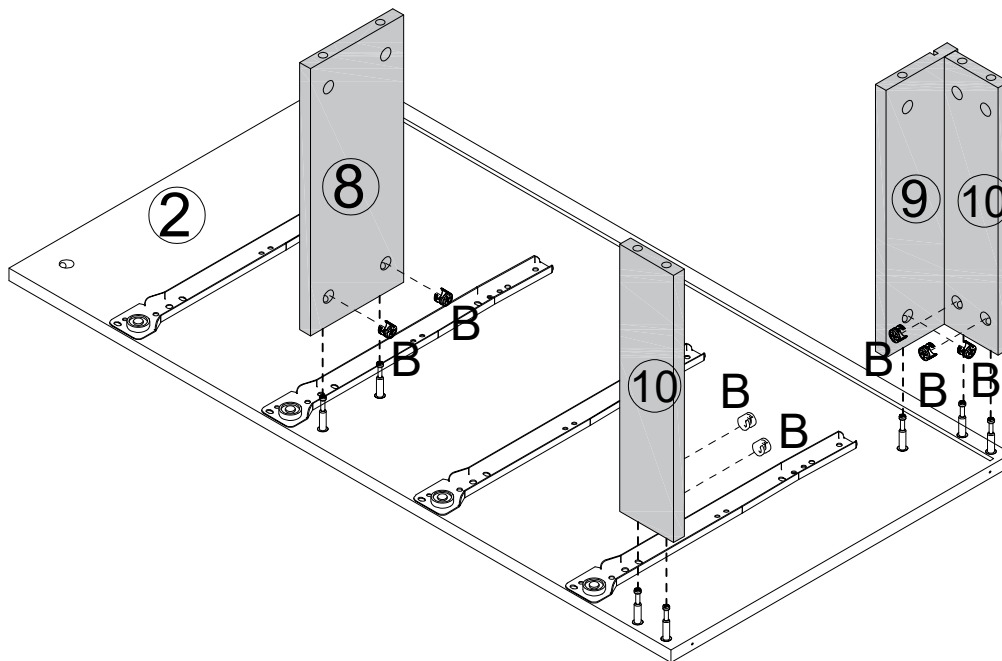
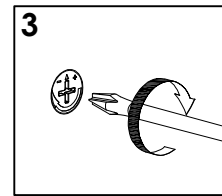
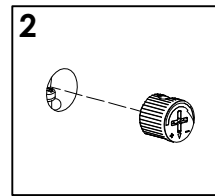
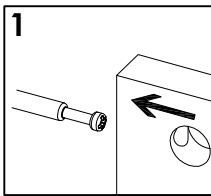
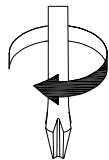


Ax9



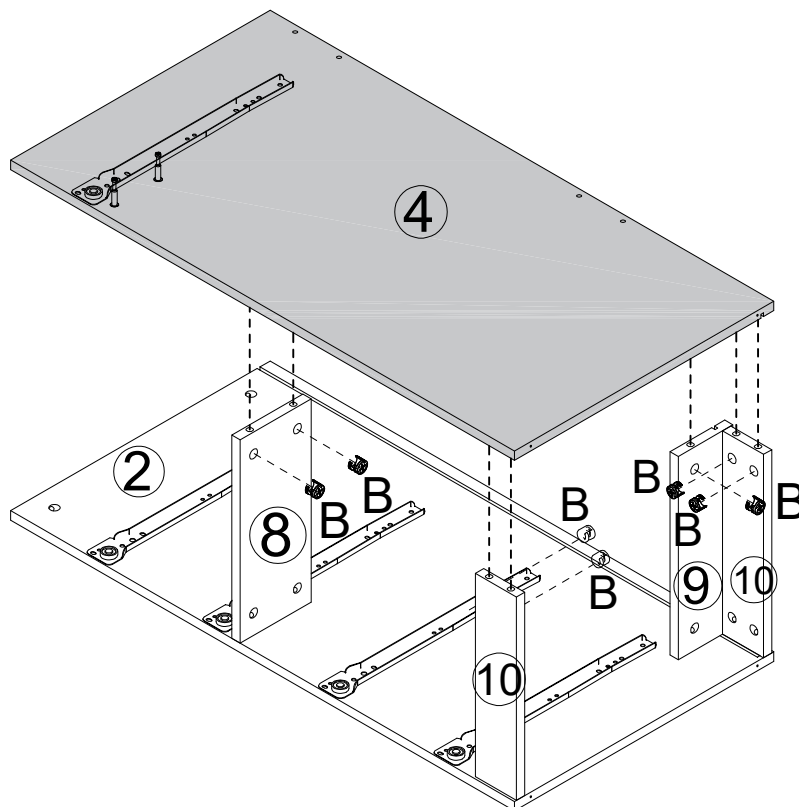
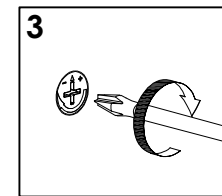
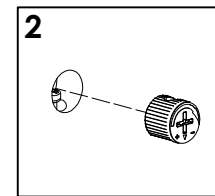
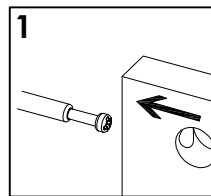
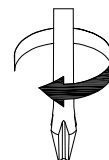
Dx10

# STEP5



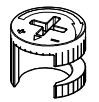
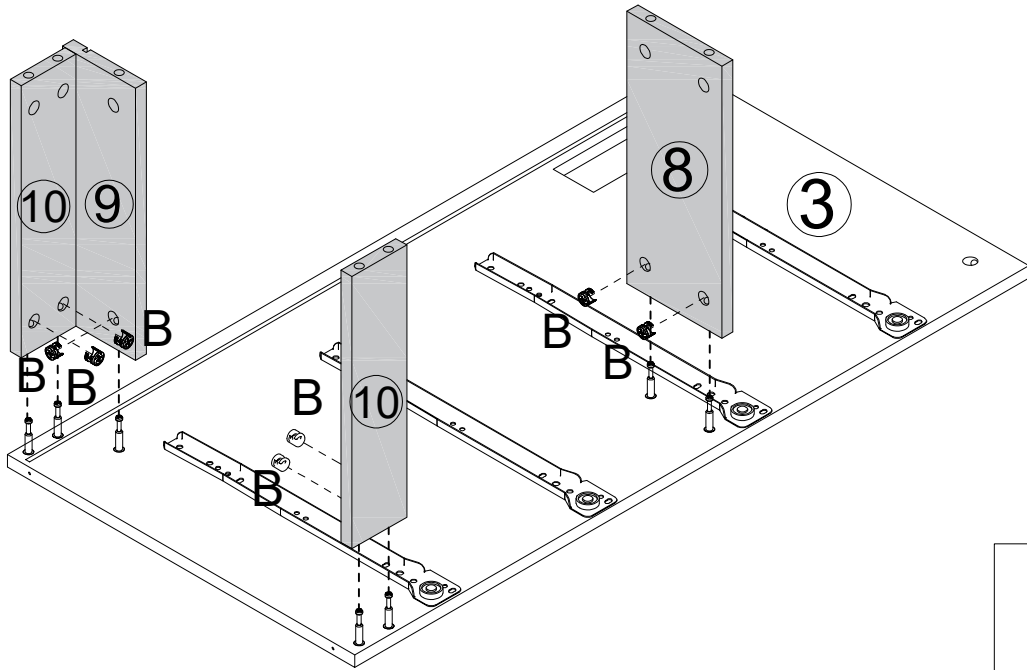
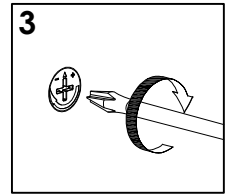
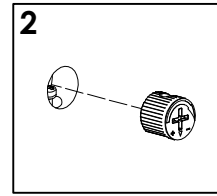
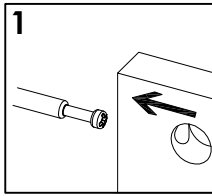
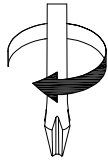
Bx7

# STEP6



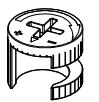
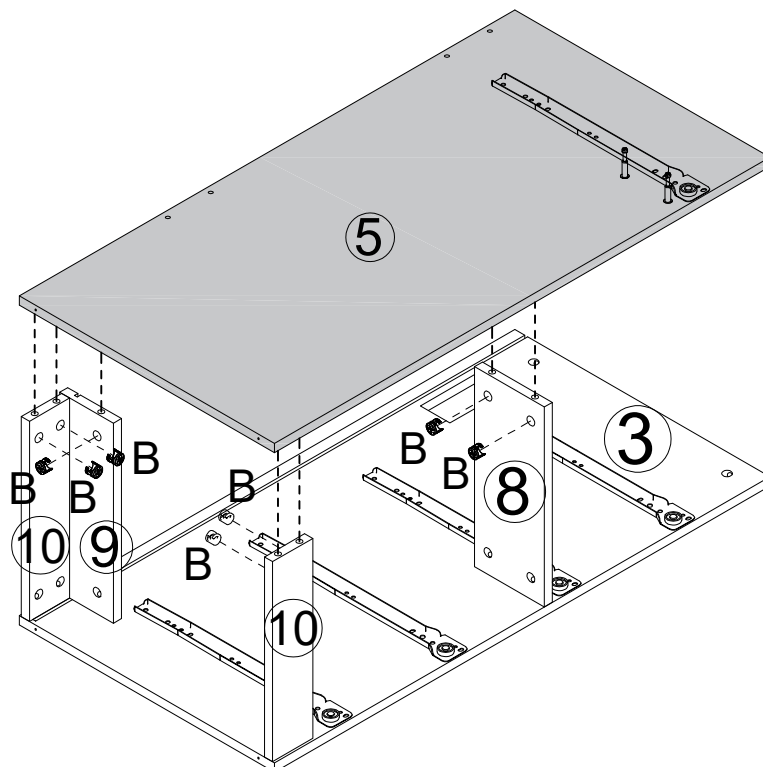
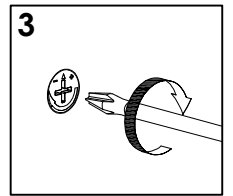
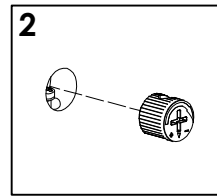
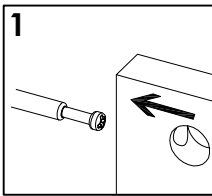
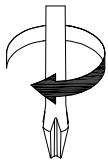
Bx7

# STEP7



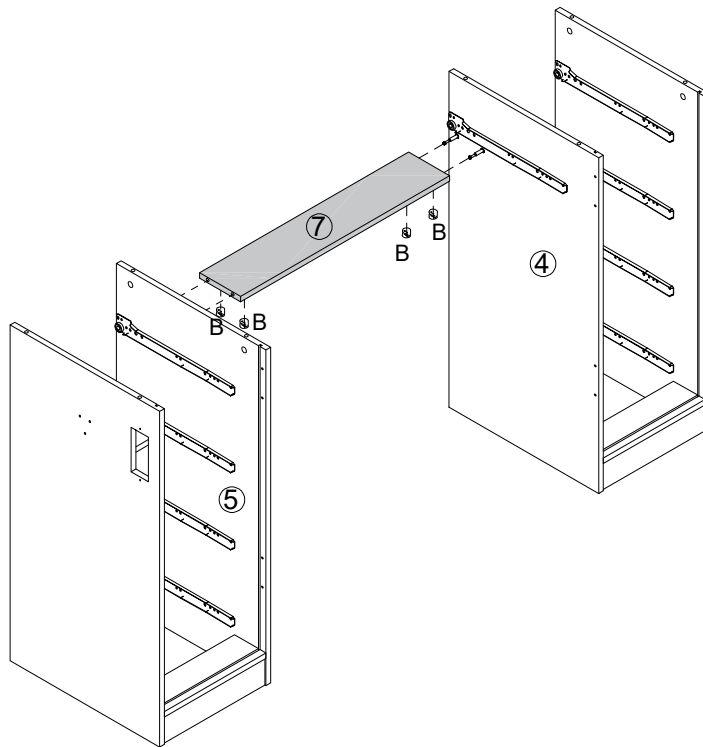
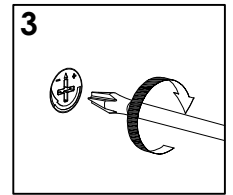
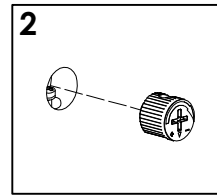
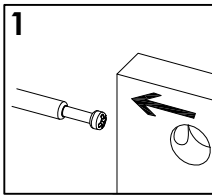
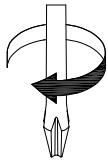
Bx7

# STEP8



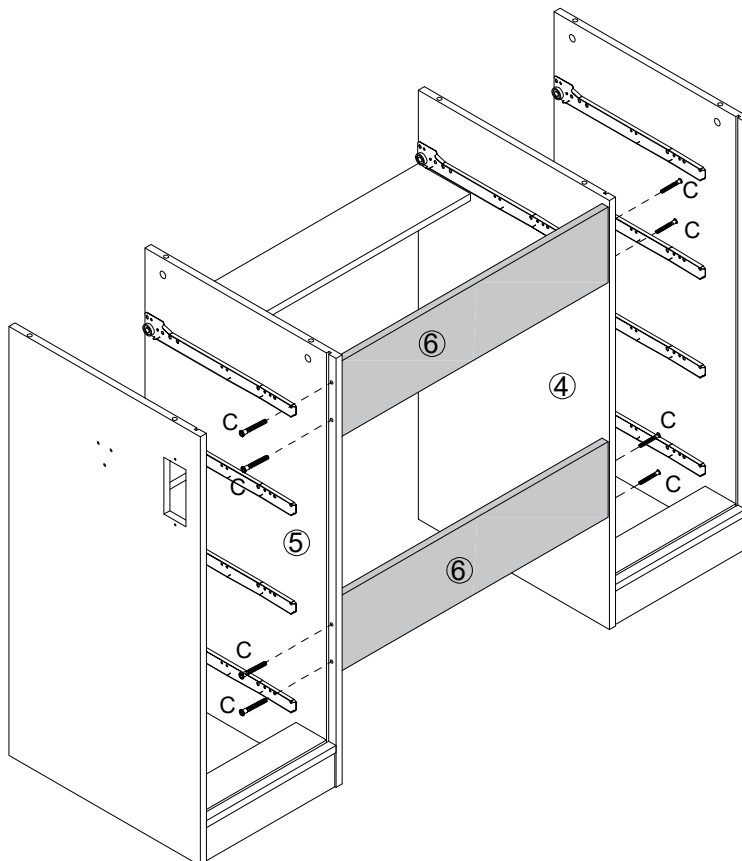
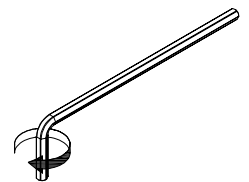
Bx7

# STEP9



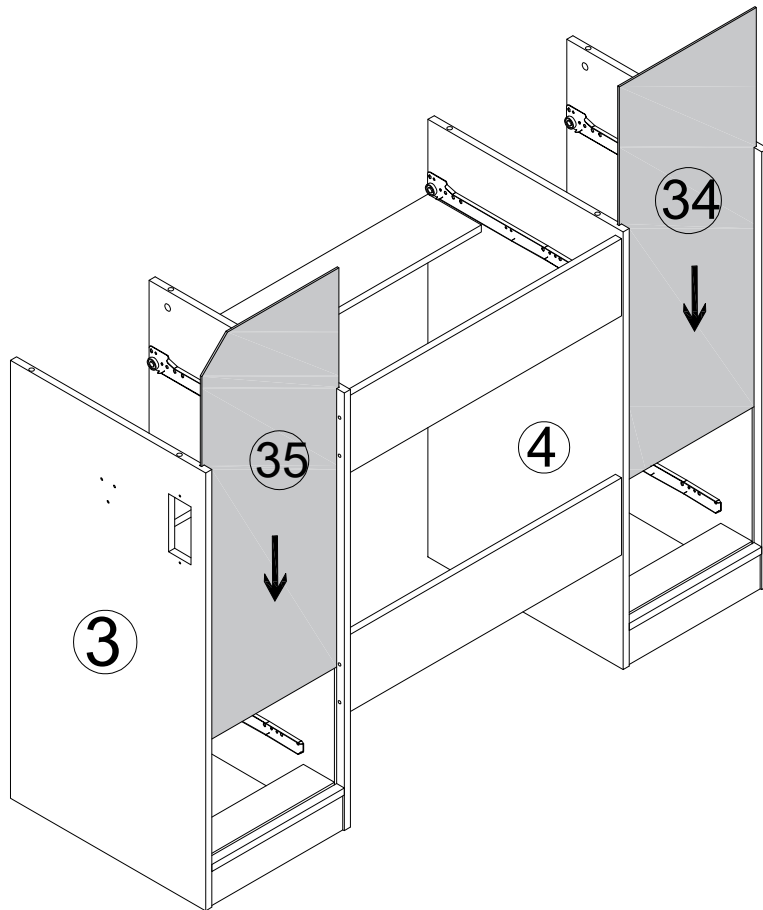
Bx4

# STEP10

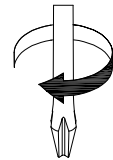
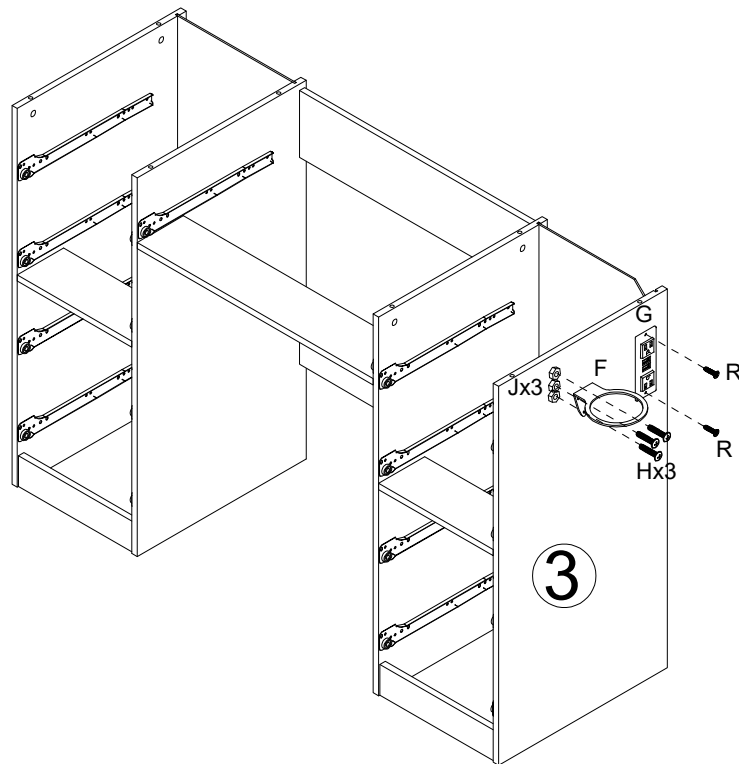




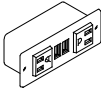
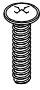
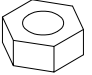
Cx8

# STEP11

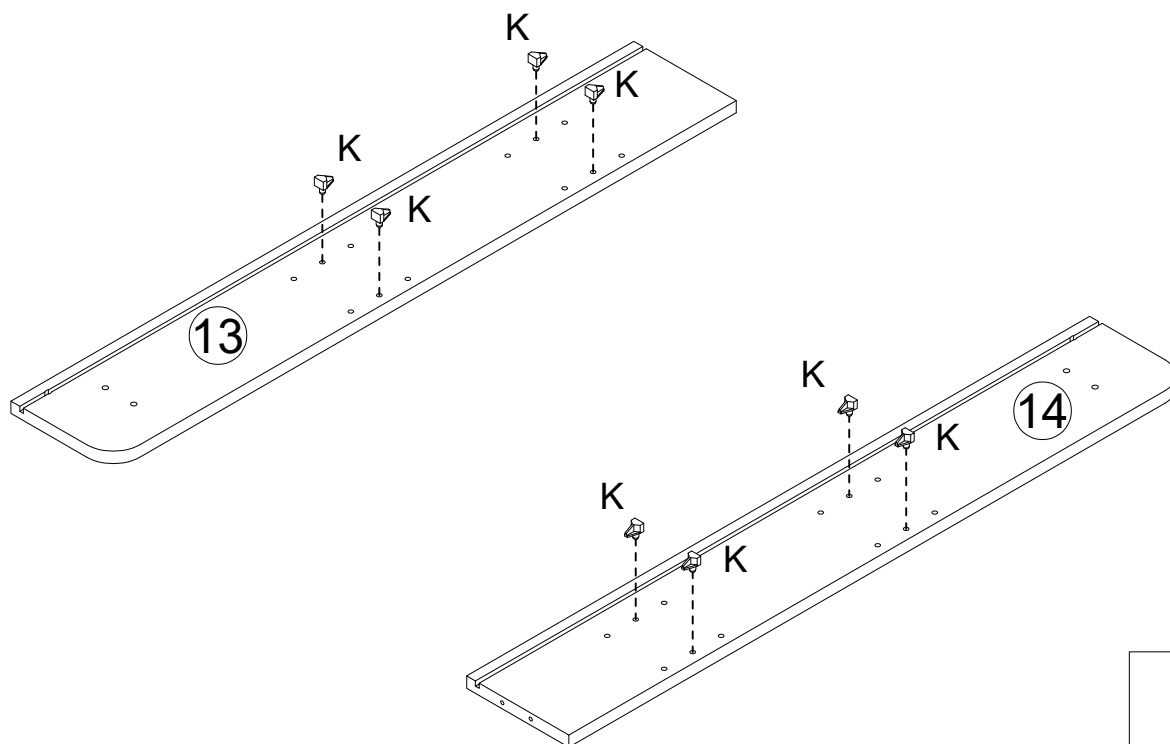


# STEP12



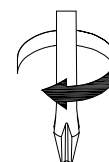
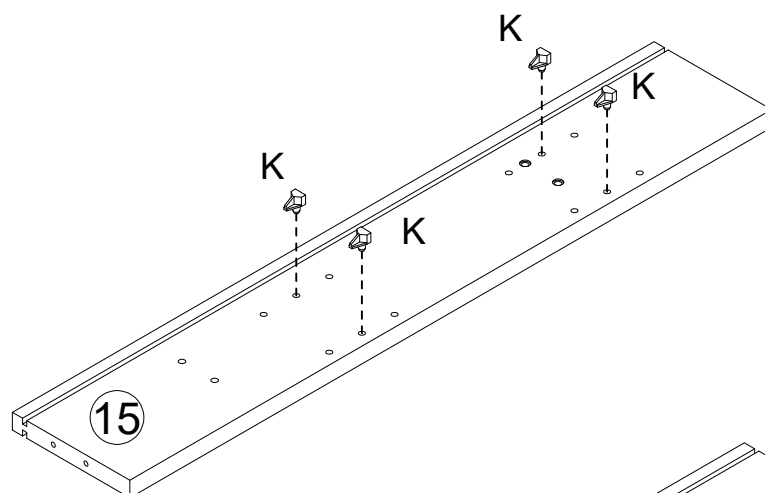
				
Rx2	Fx1	Gx1	Hx3	Jx3

# STEP13

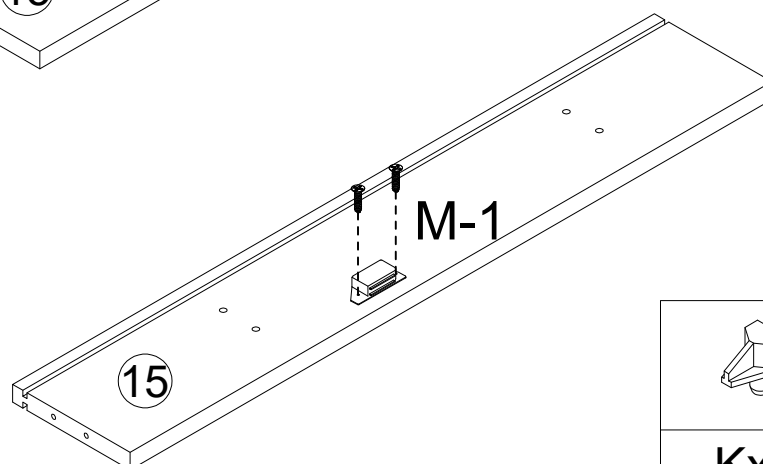


Kx8

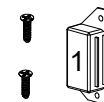
# STEP14



180°

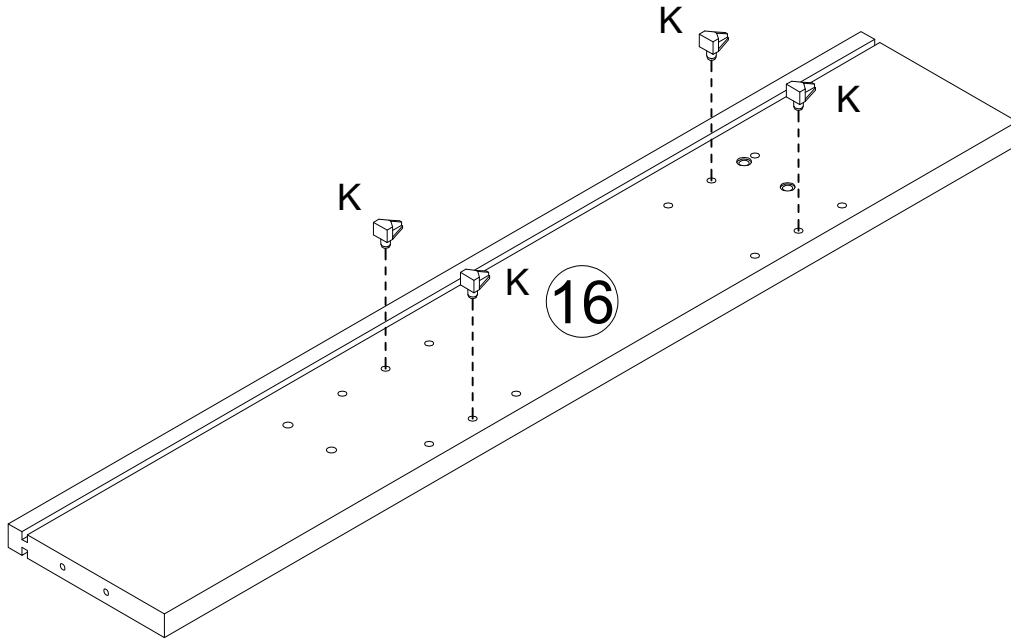


Kx4



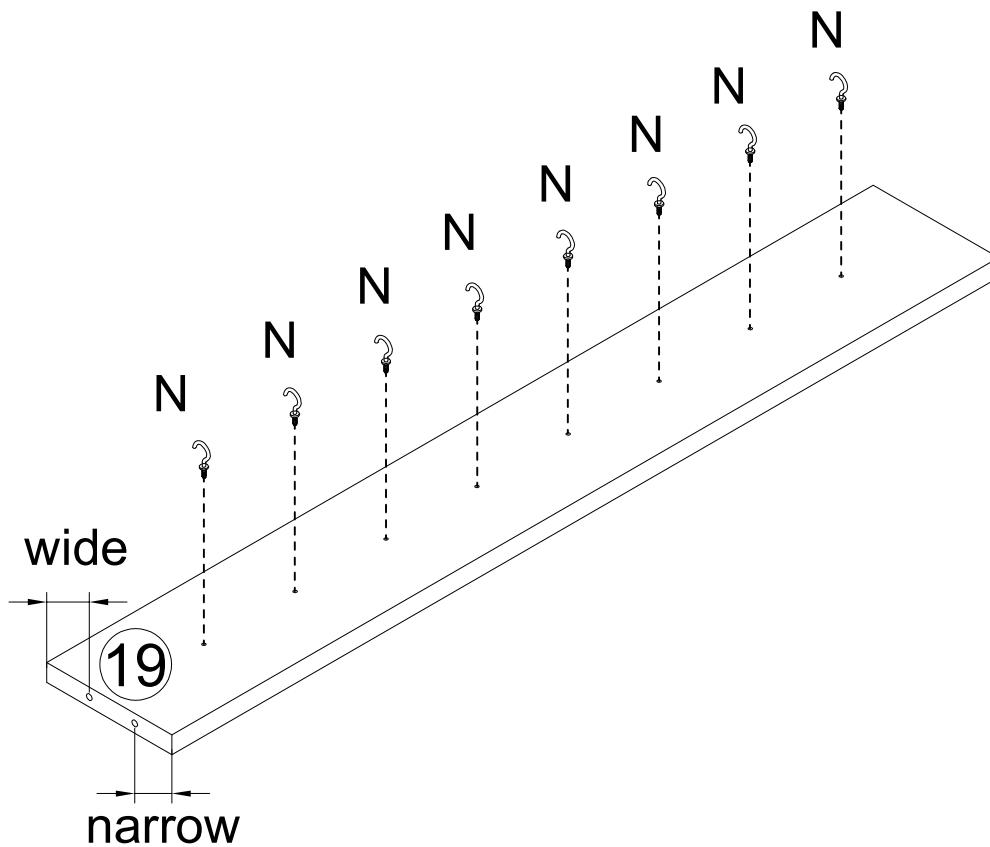
M-1x1

# STEP 15



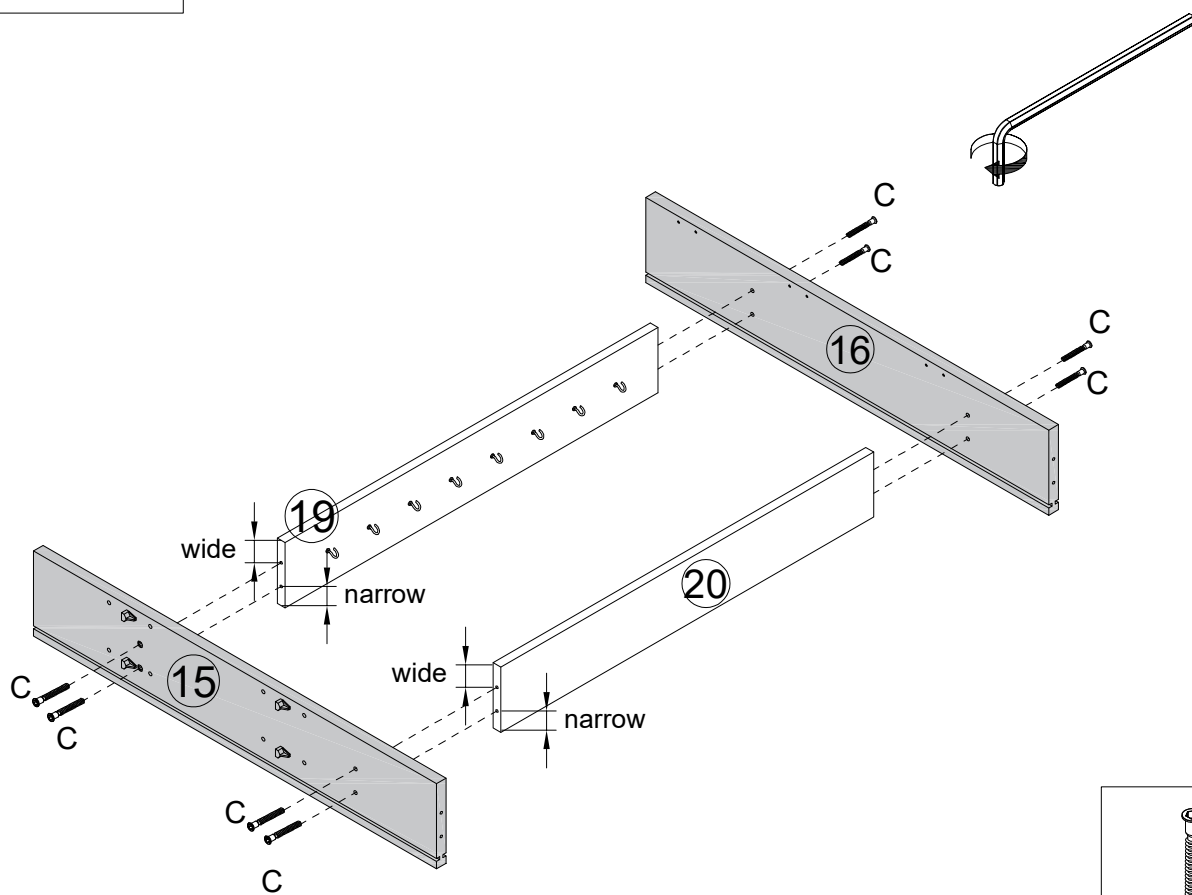
Kx4

# STEP 16



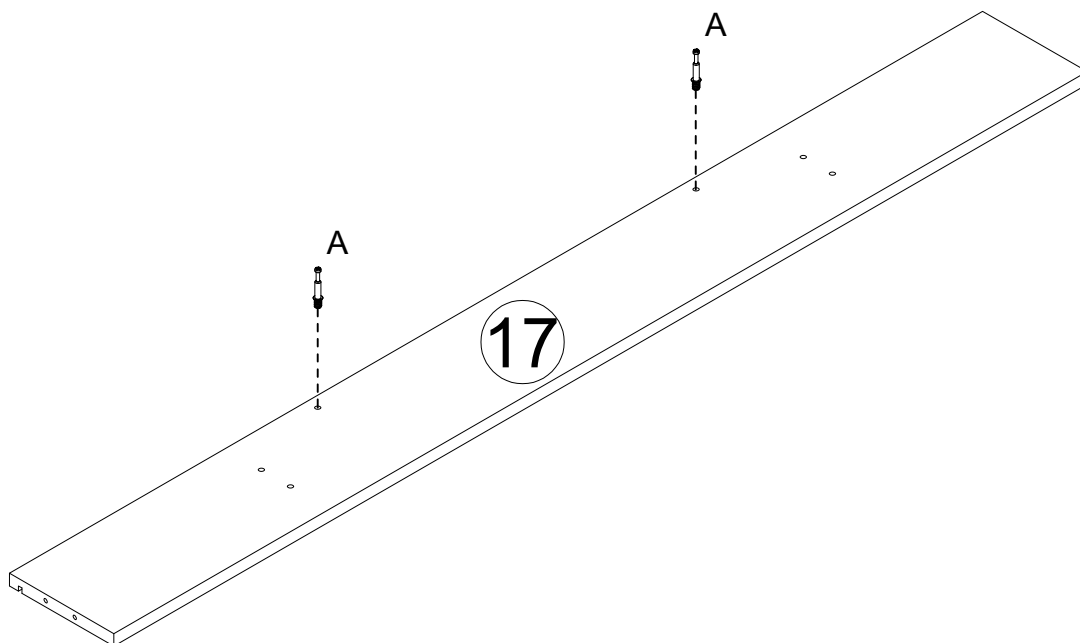
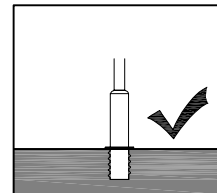
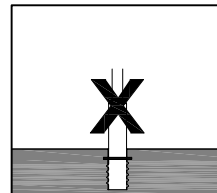
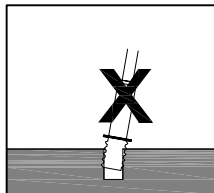
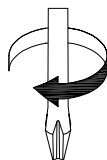
Nx8

# STEP17



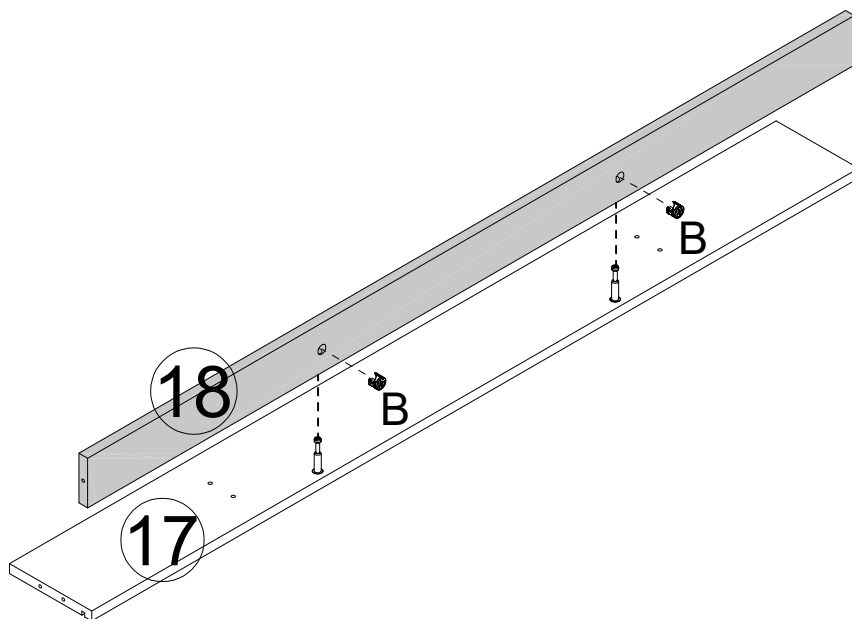
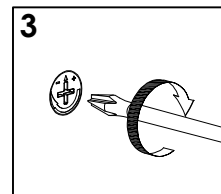
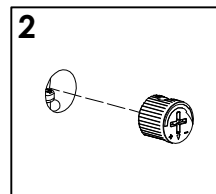
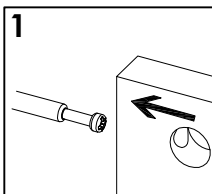
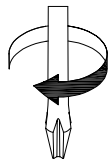
Cx8

# STEP18



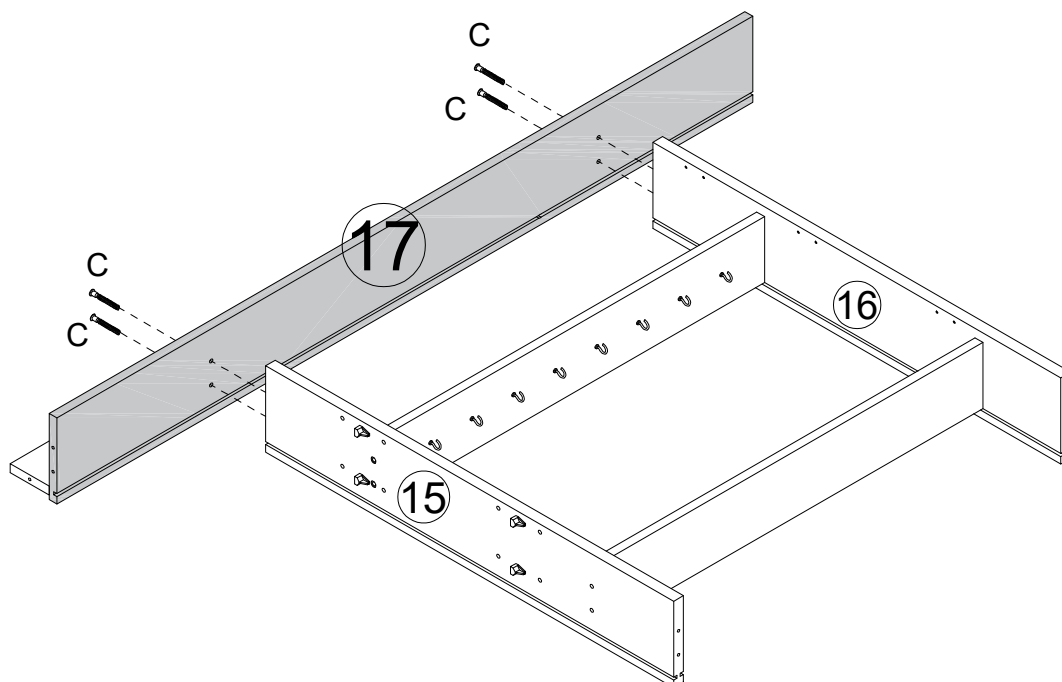
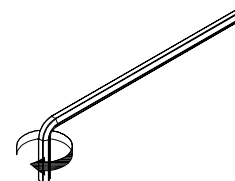
Ax2

# STEP19



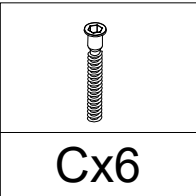
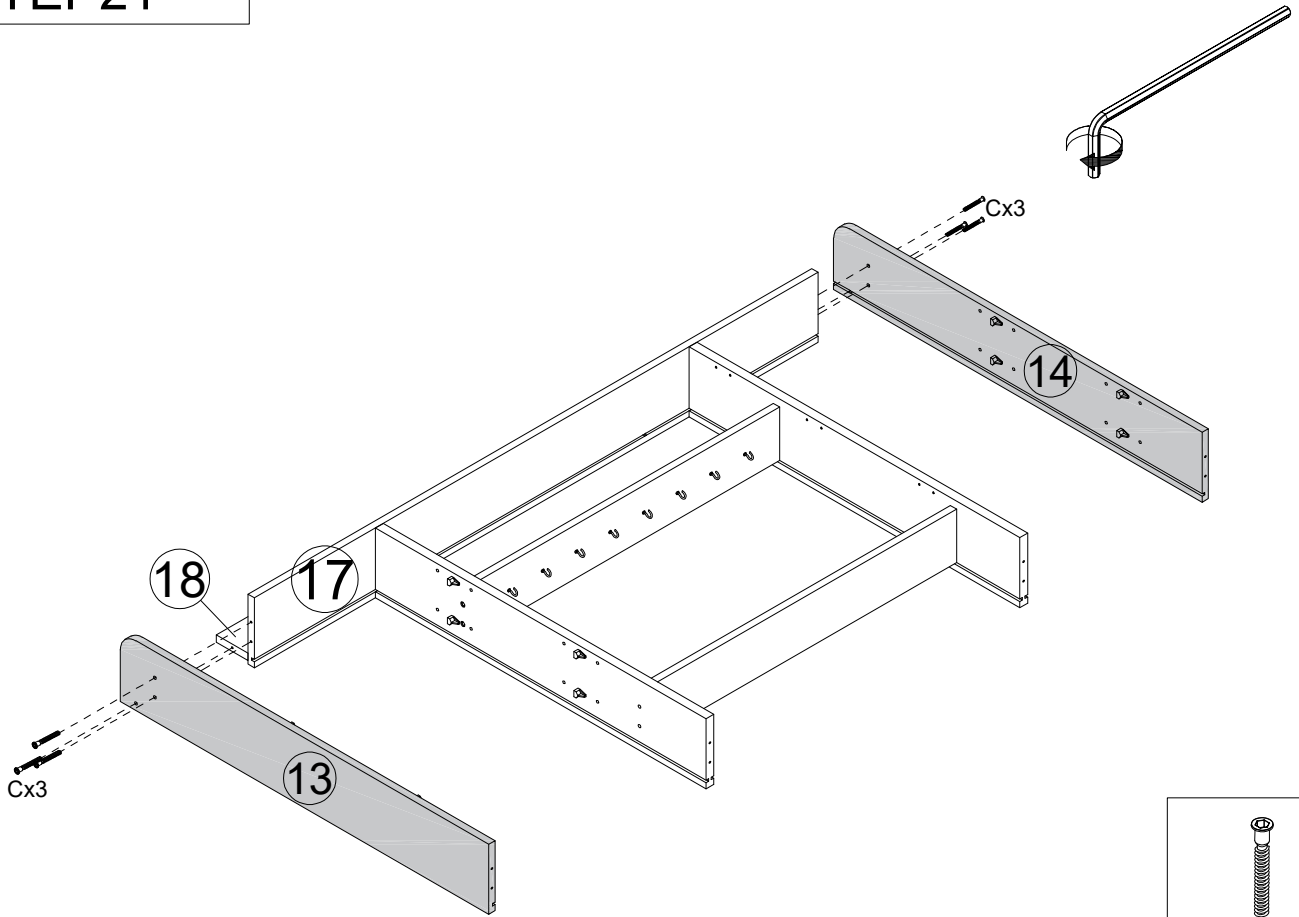
Bx2

# STEP20

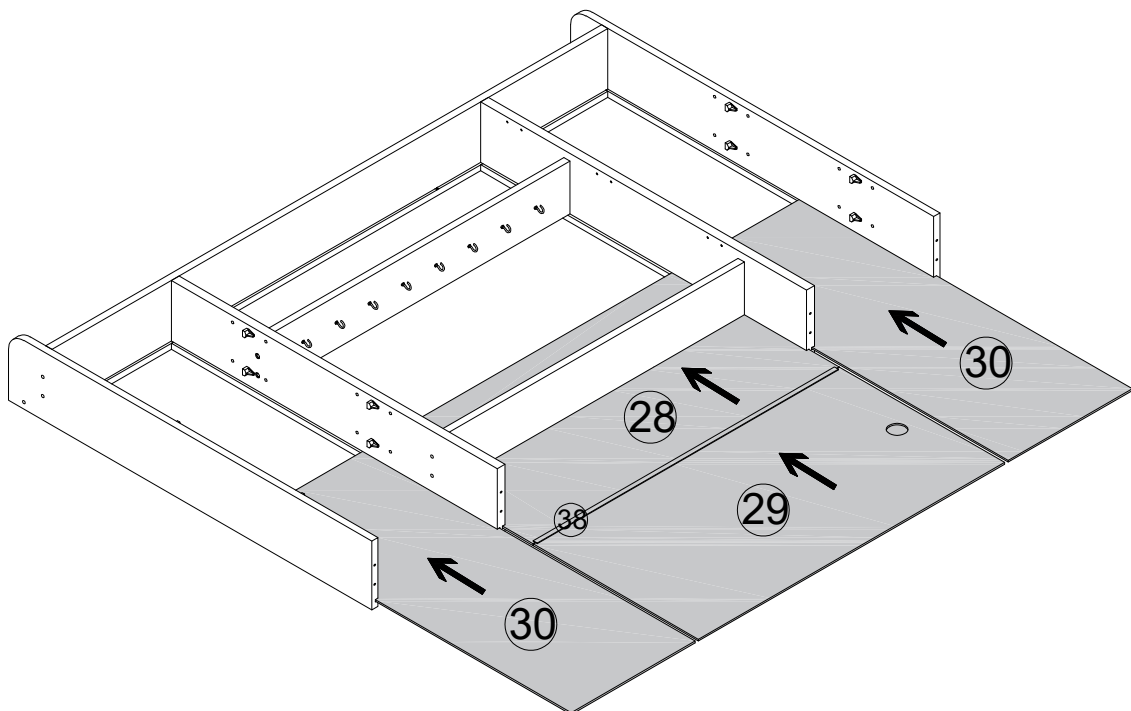


Cx4

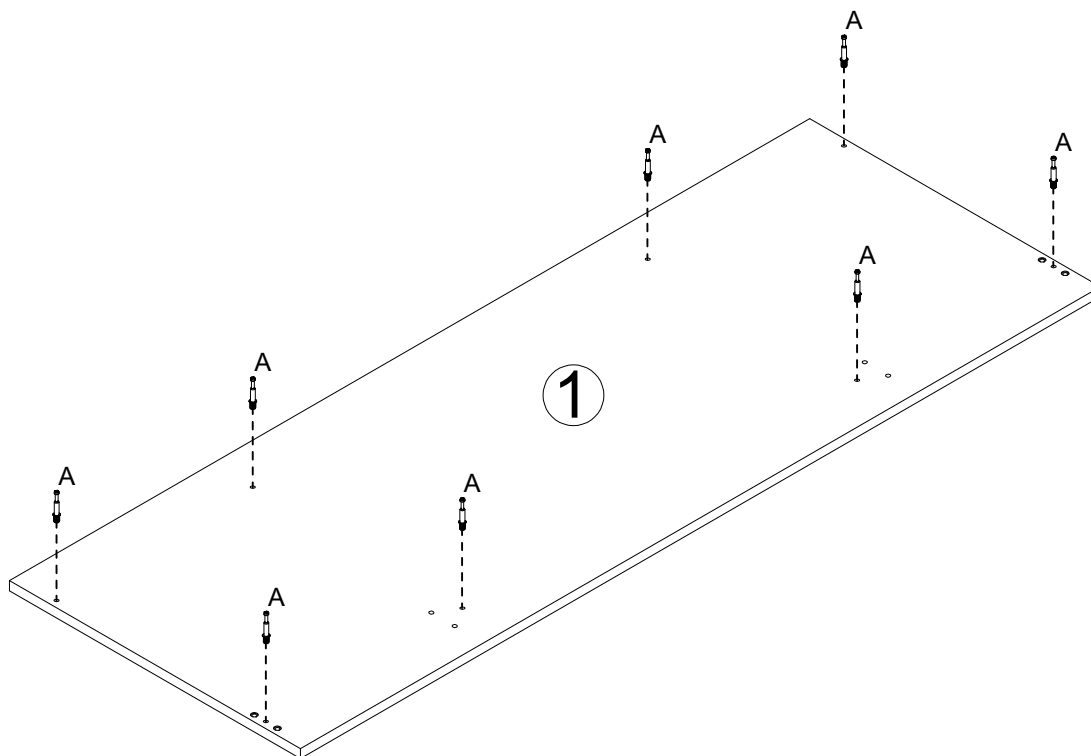
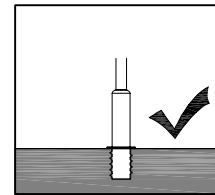
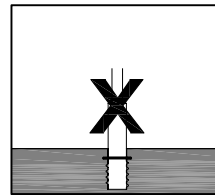
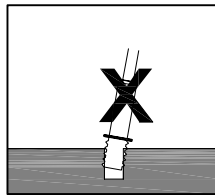
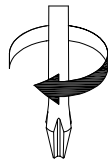
# STEP21



# STEP22

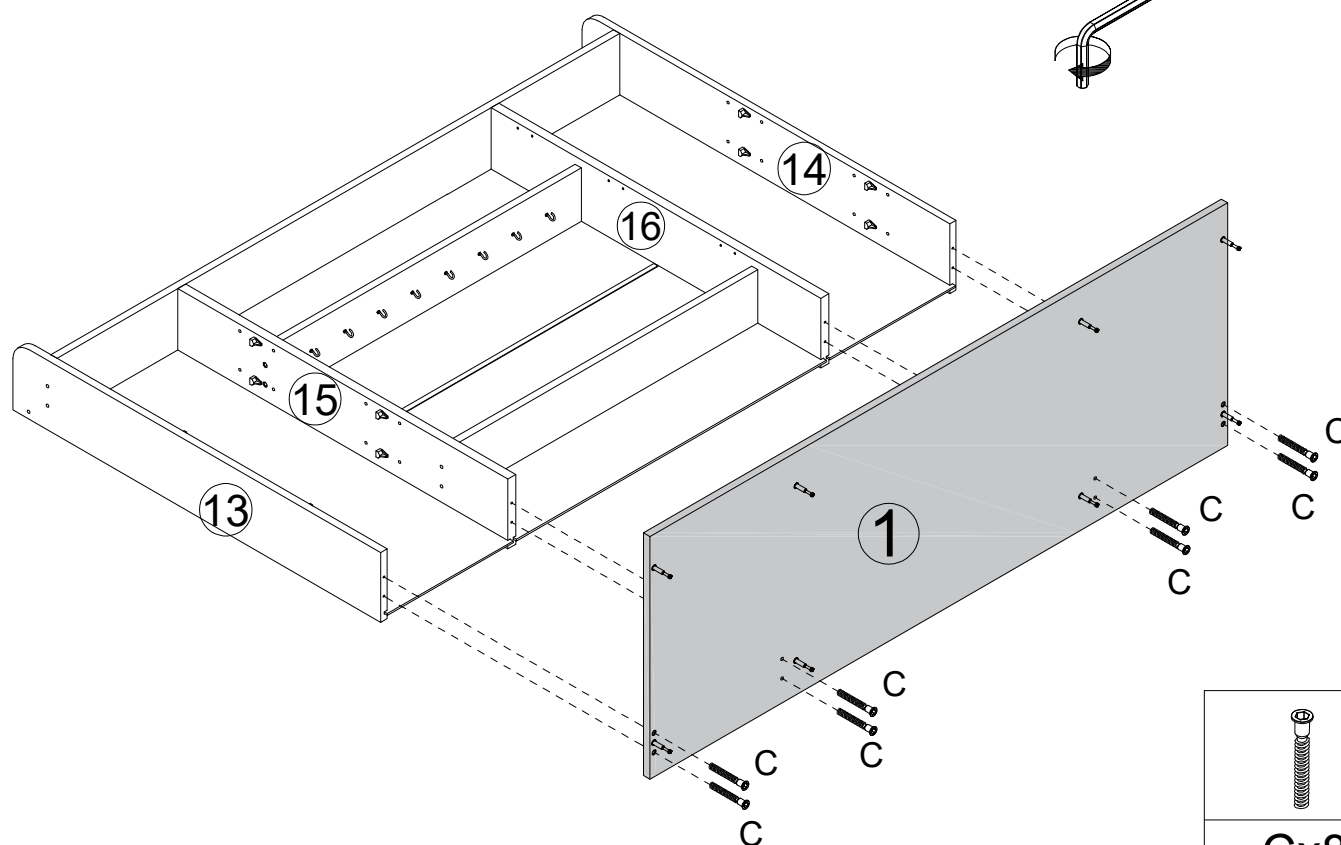
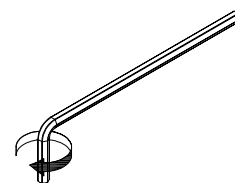


# STEP23



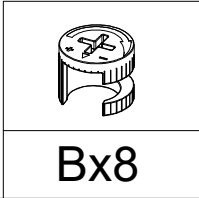
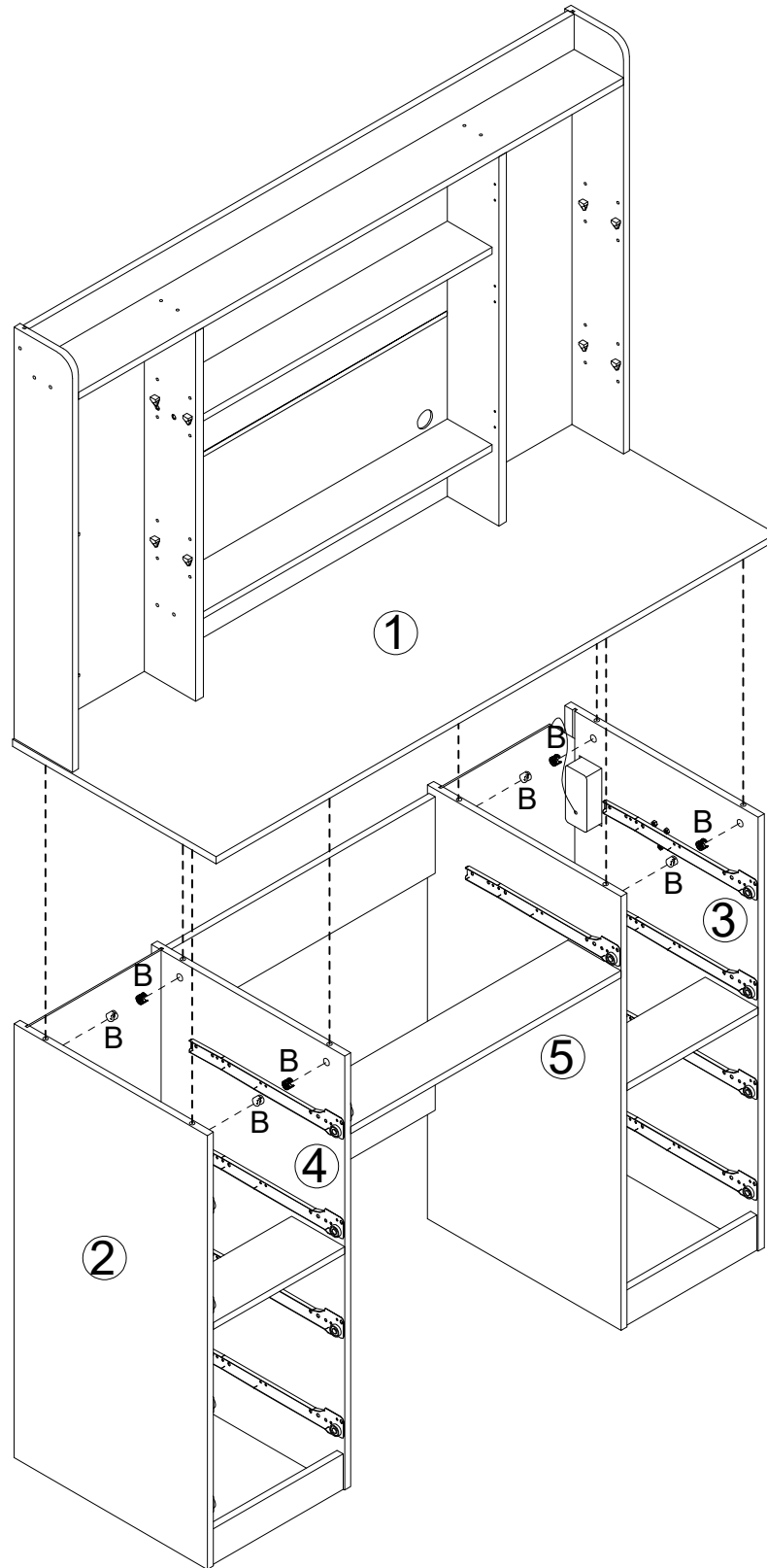
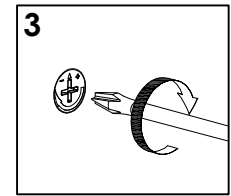
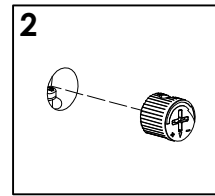
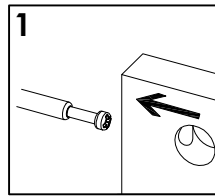
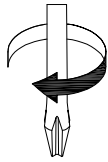
Ax8

# STEP24

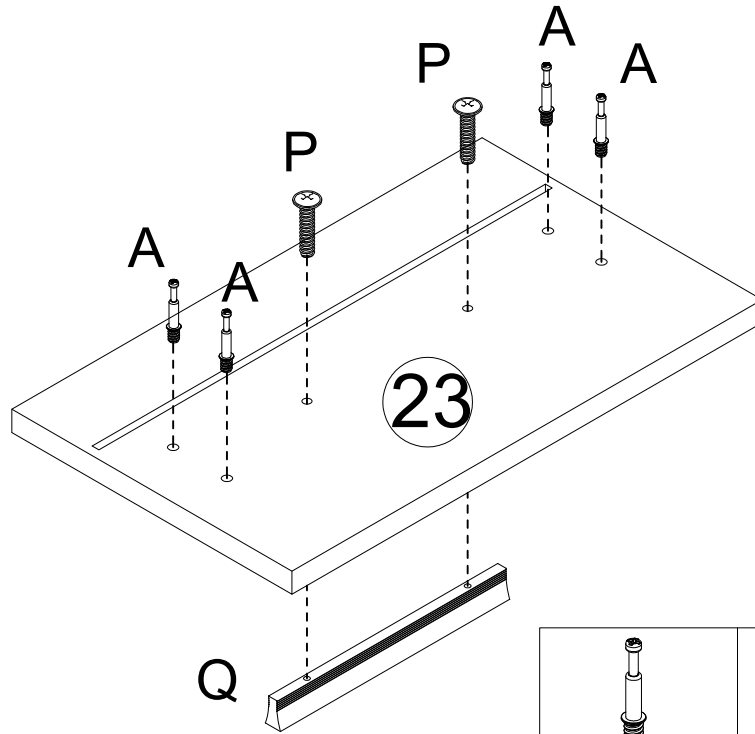
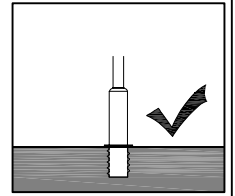
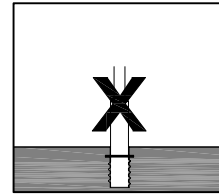
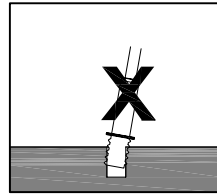
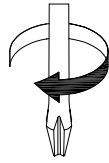


Cx8

# STEP25

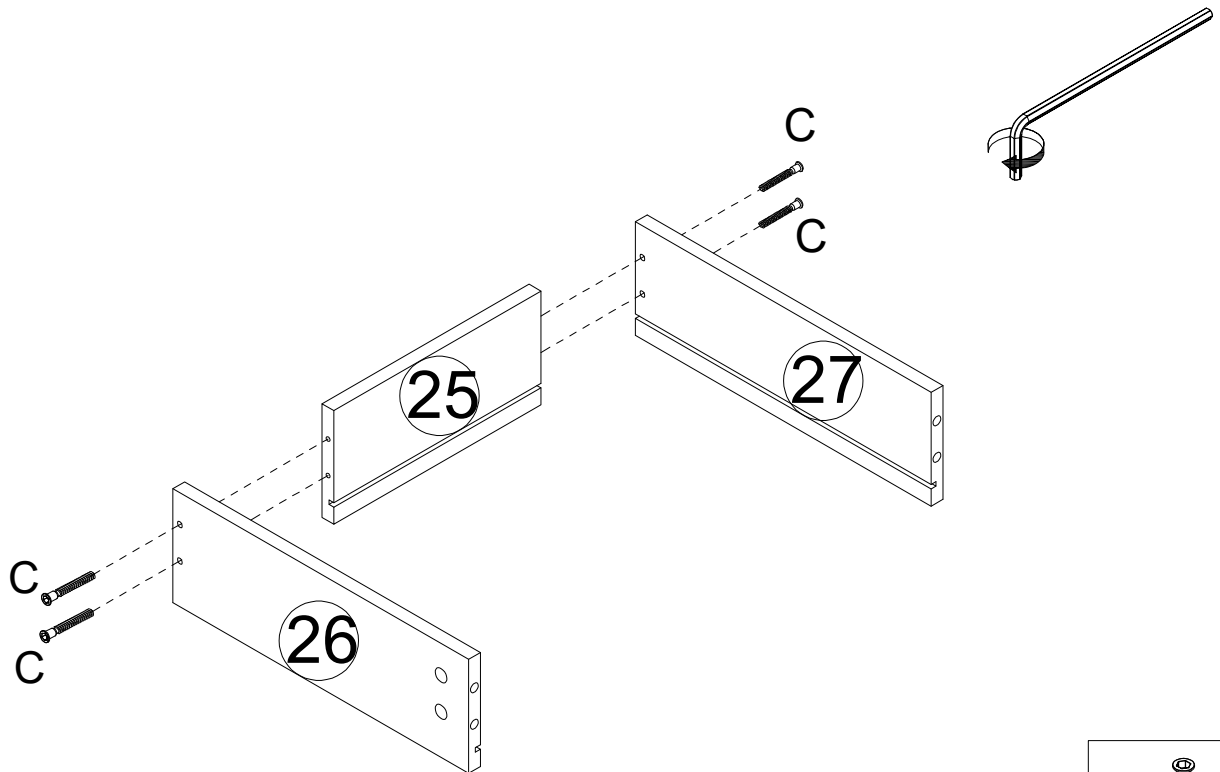


# STEP 26x8



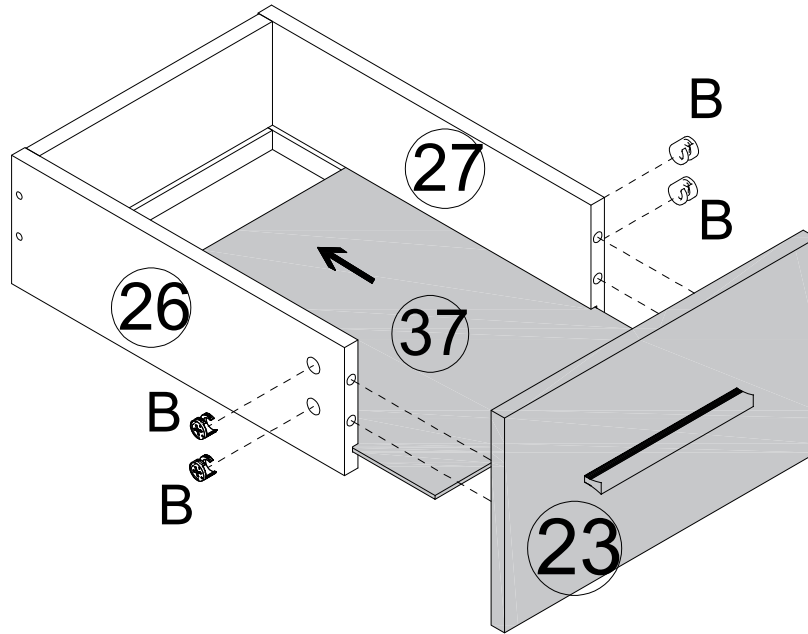
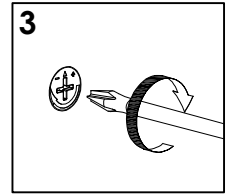
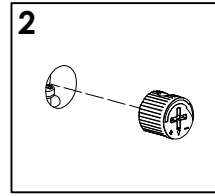
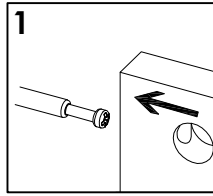
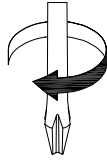
Ax32	Px16	Qx8

# STEP 27x8



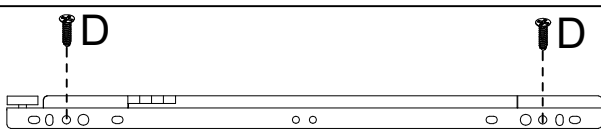
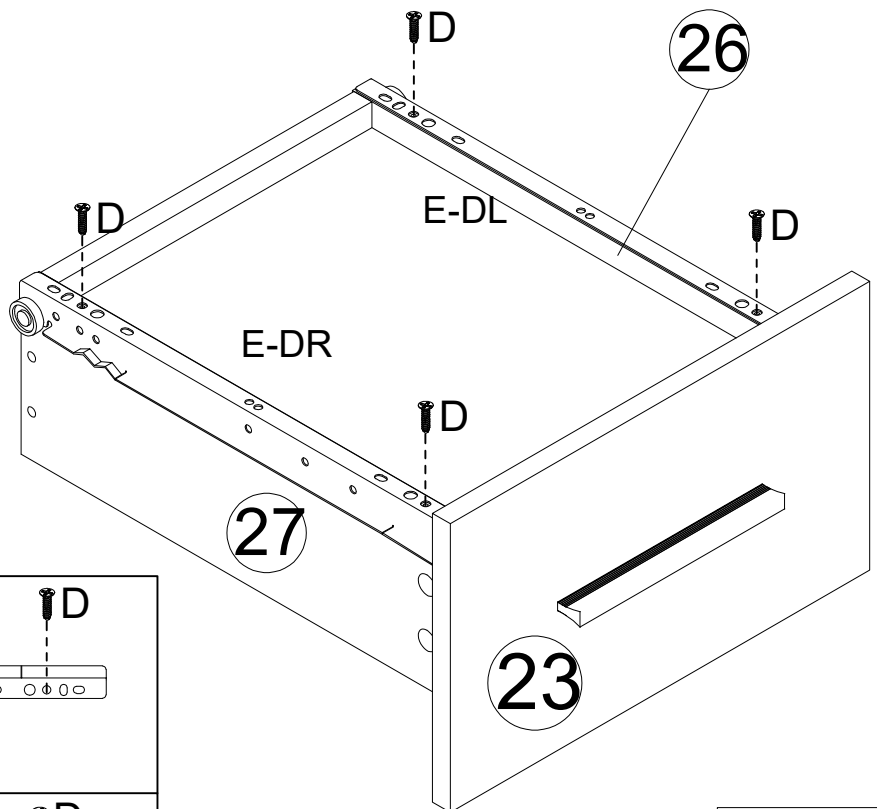
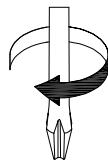
Cx32

# STEP28x8

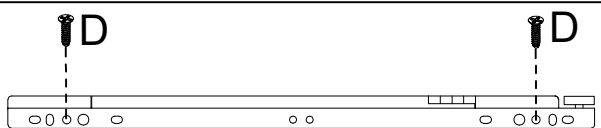


Bx32

# STEP29x8



E-DLx8

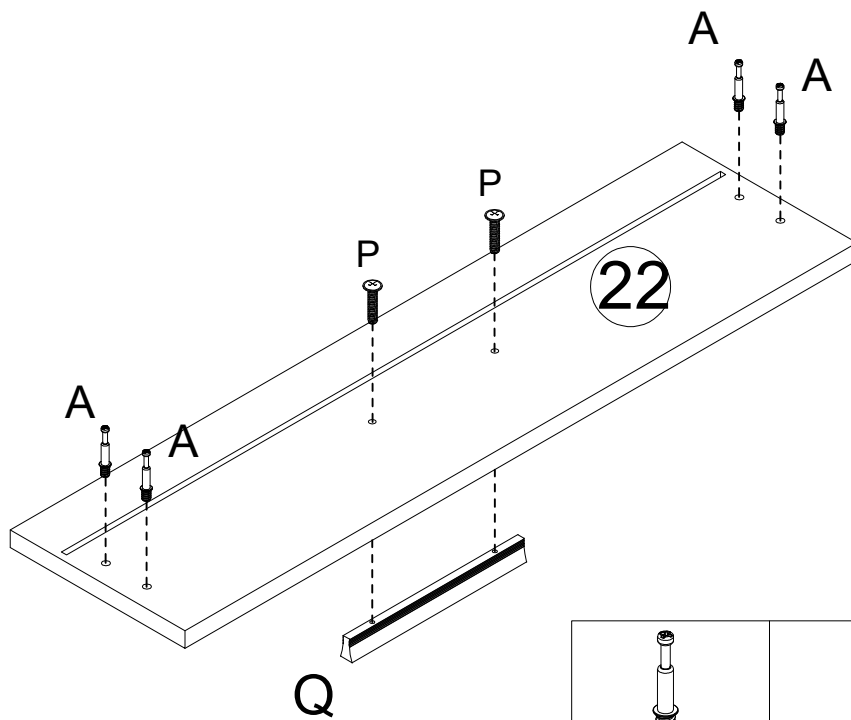
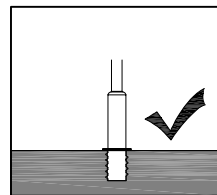
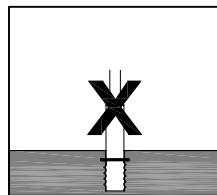
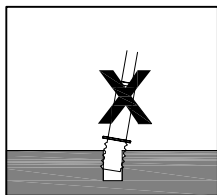
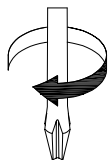


E-DRx8



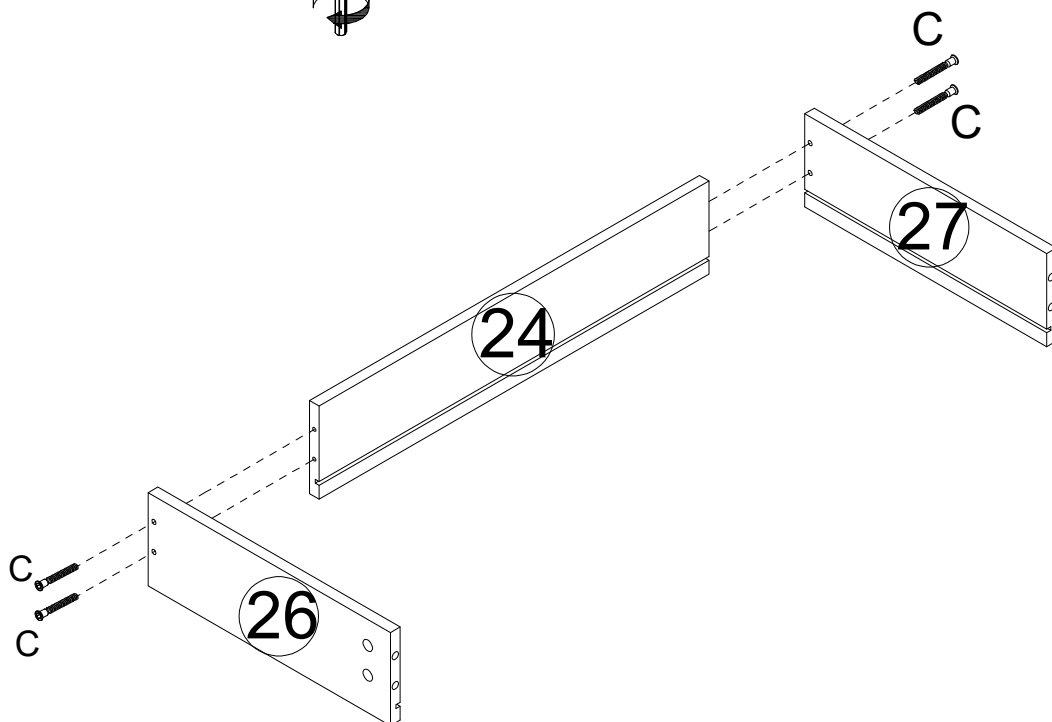
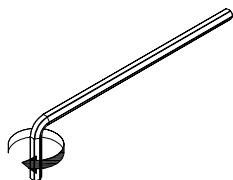
Dx32

# STEP30



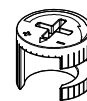
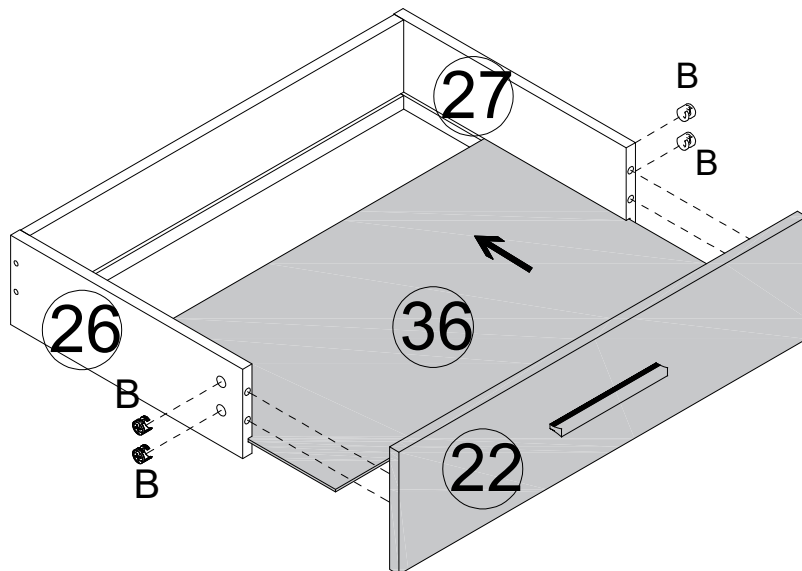
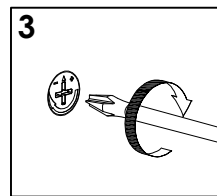
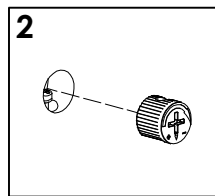
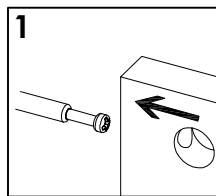
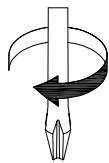
Ax4	Px2	Qx1

# STEP31



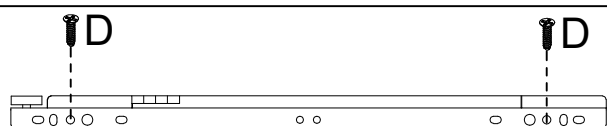
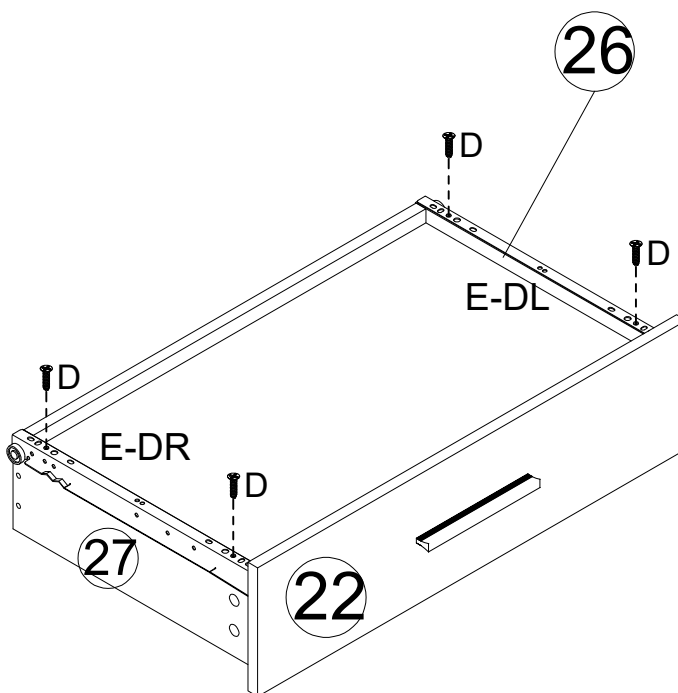
Cx4

# STEP32

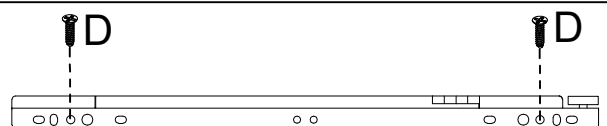


Bx4

# STEP33



E-DLx1

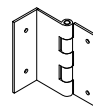
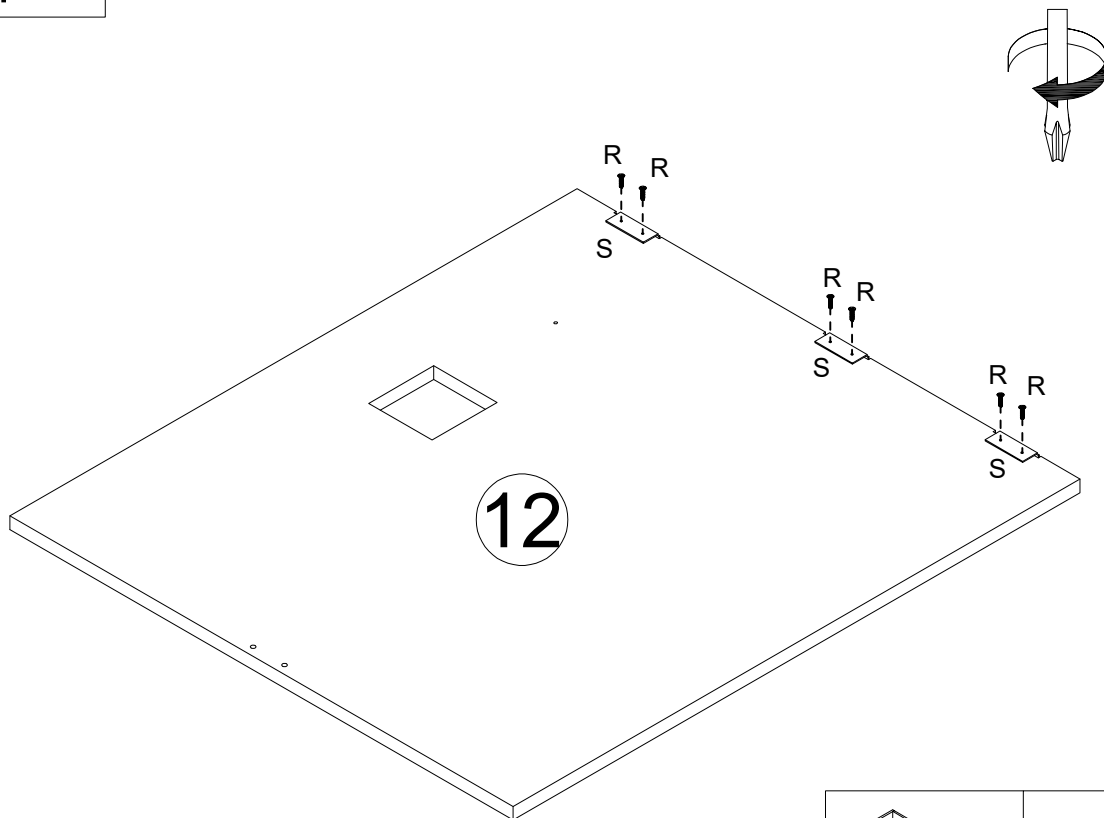


E-DRx1



Dx4

# STEP34

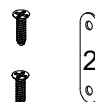
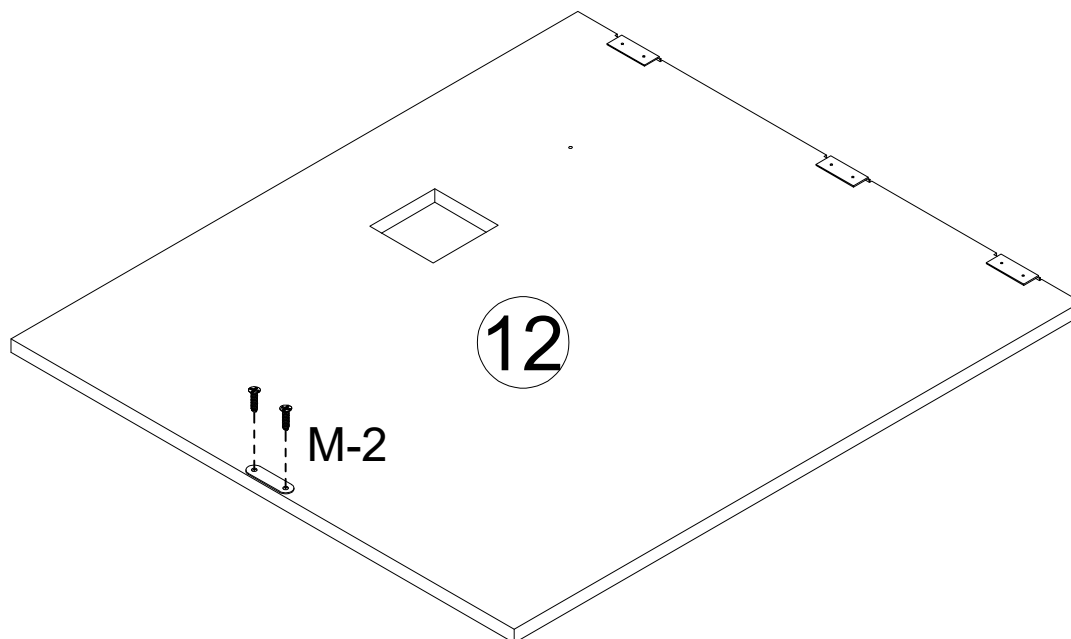


Sx3



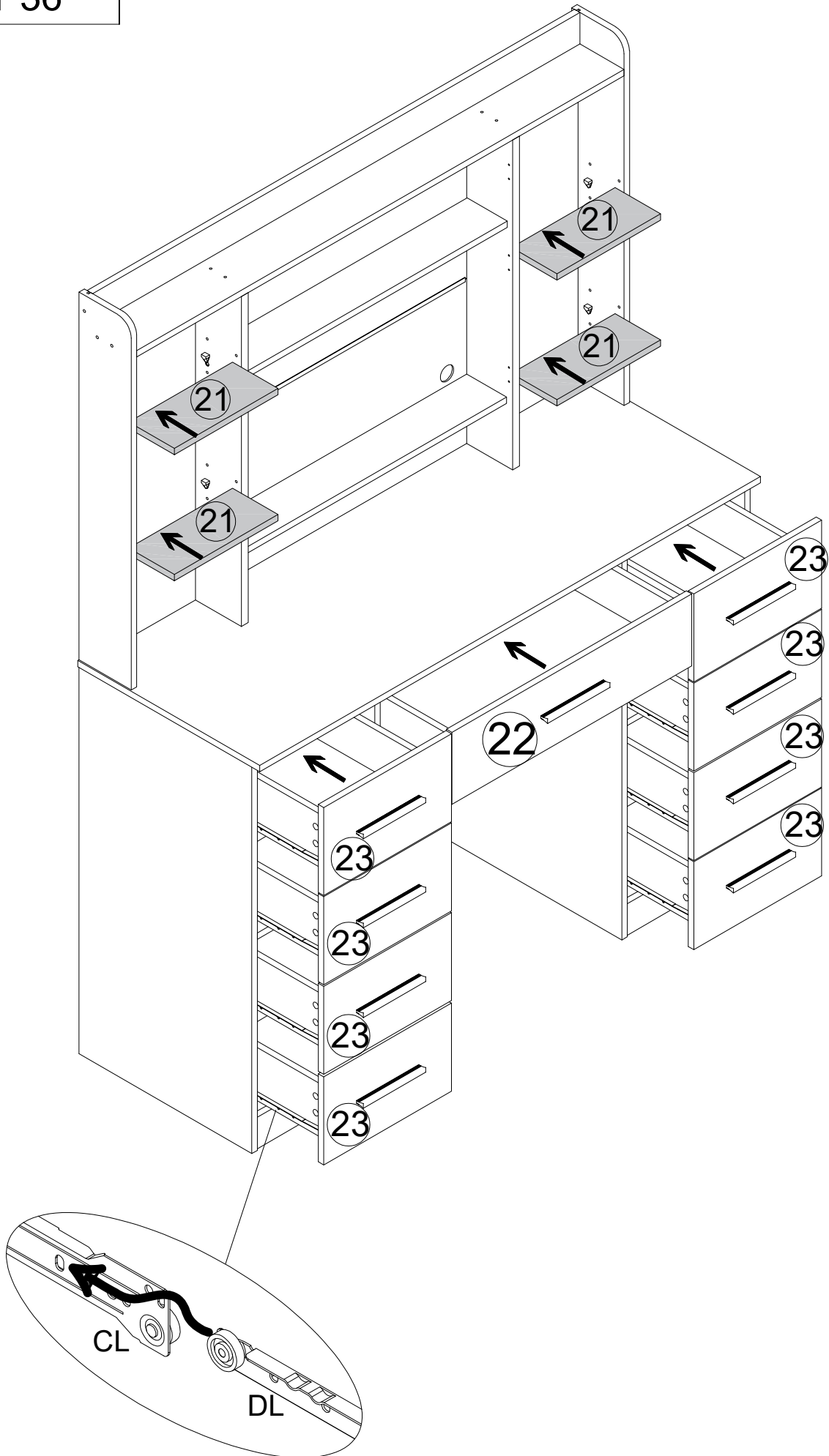
Rx6

# STEP35

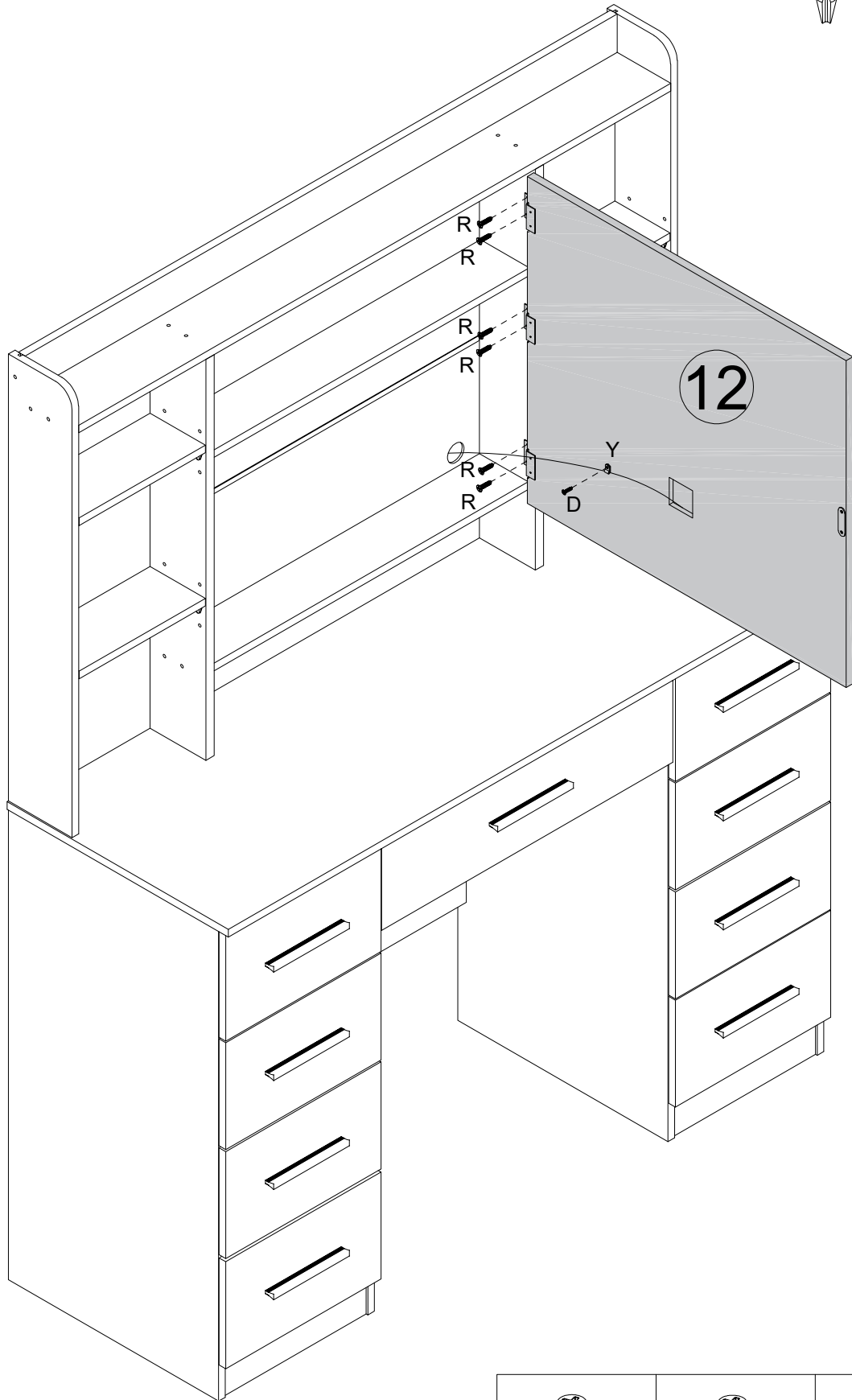
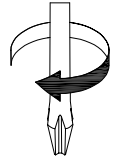




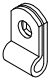
M-2x1

# STEP 36



# STEP37

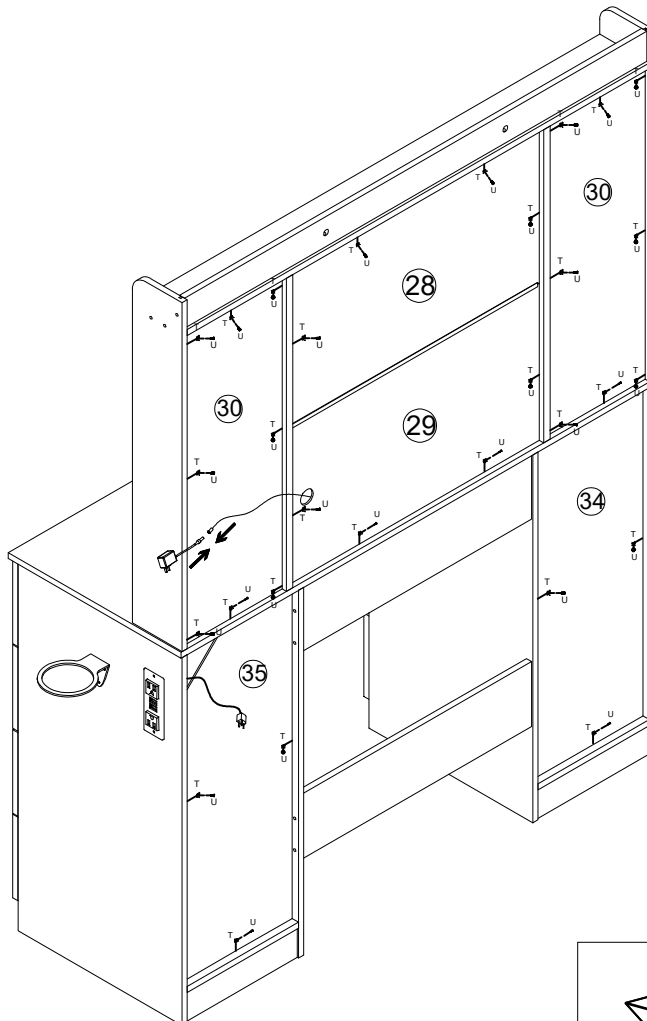
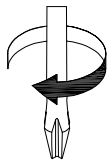
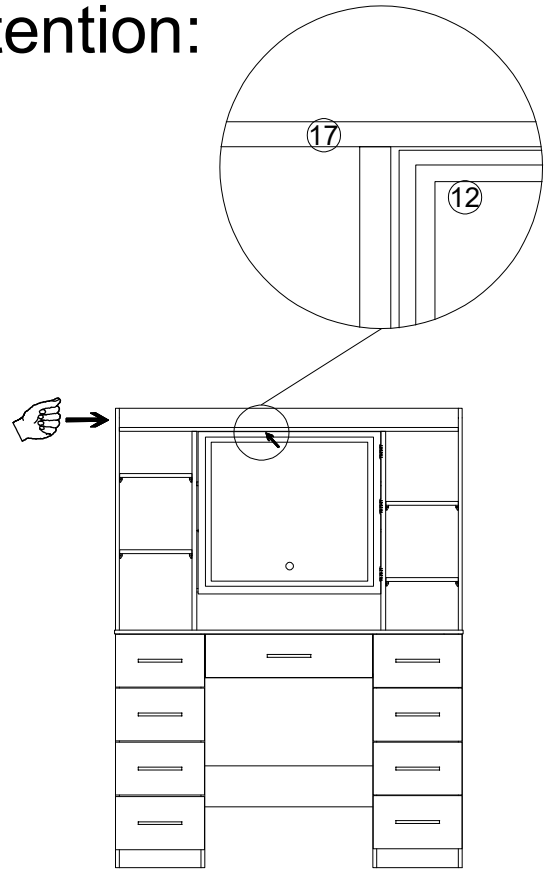





		
Dx1	Rx6	Yx1

# STEP38

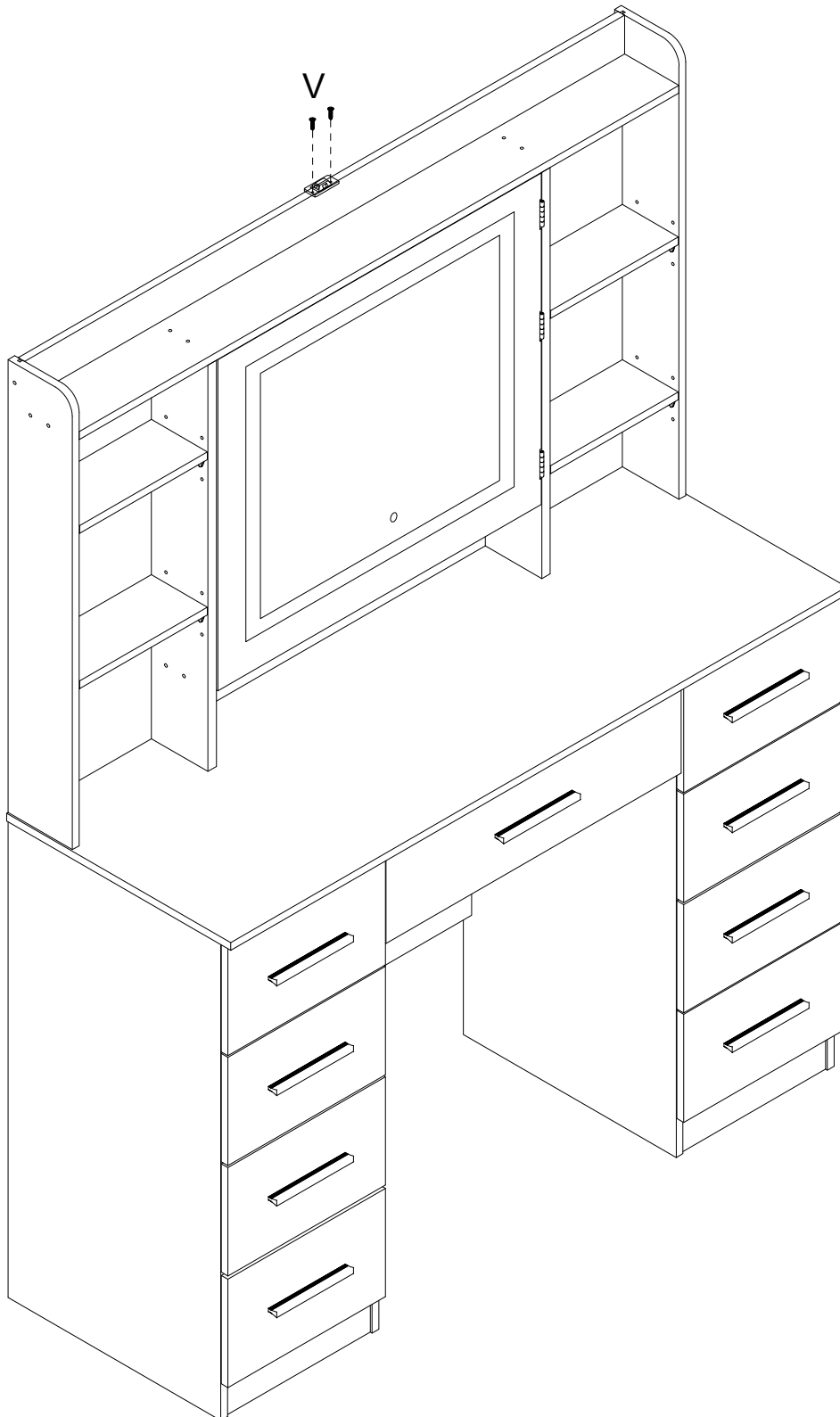
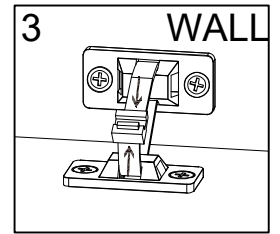
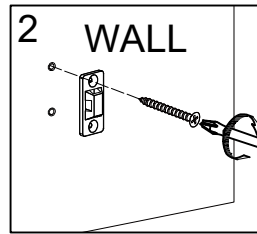
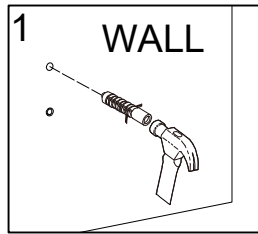
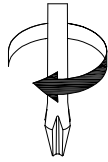
After installing the mirror plate, Use your hand to push the mark on board 13 to make the gap between the mirror plate and board 17 parallel (at the arrow mark), while another person secures the back panel with back panel clips T and screws U from behind.

## Attention:



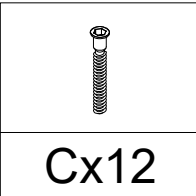
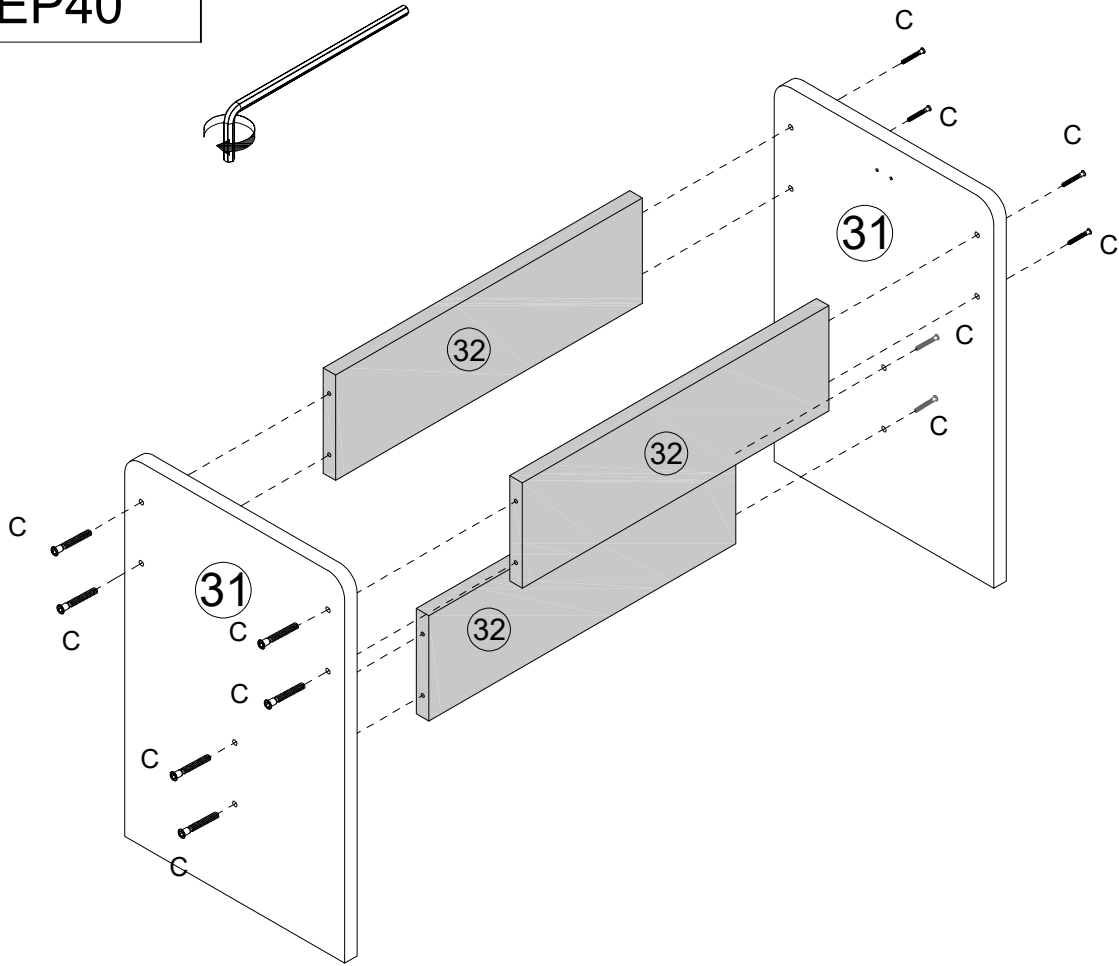
		
Tx30	Ux30	x1

# STEP39



Vx1

# STEP40



# STEP41

