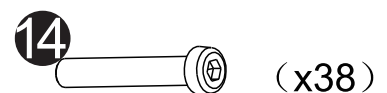
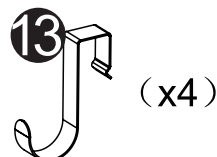
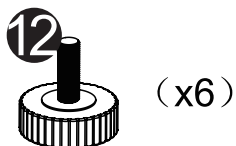
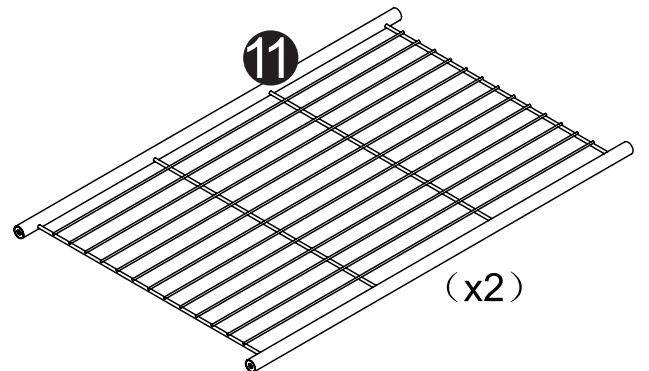
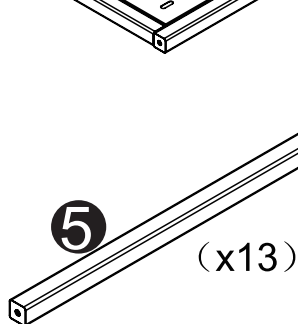
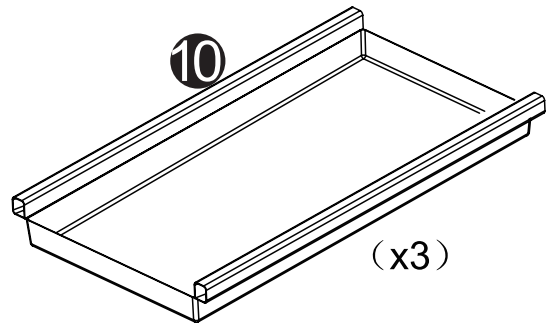
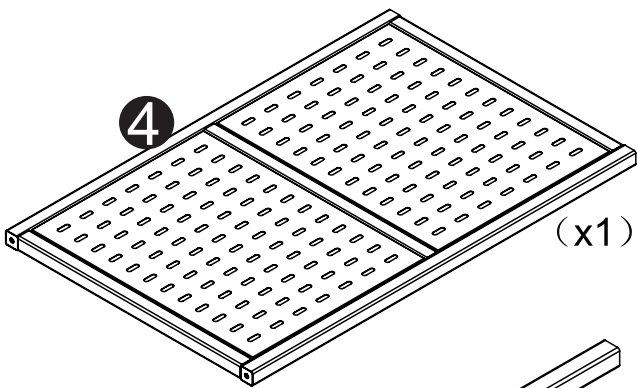
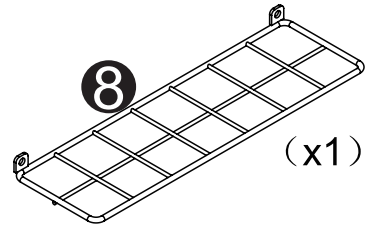
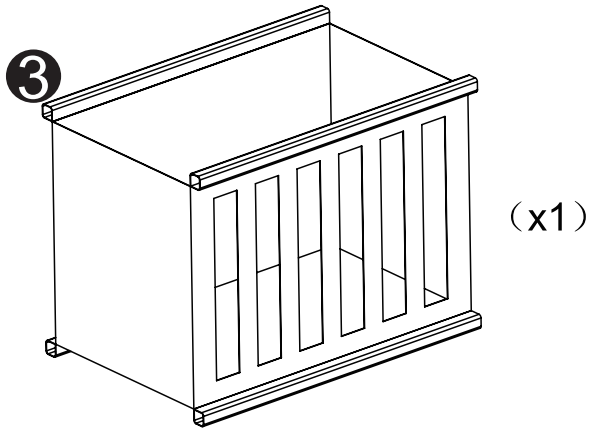
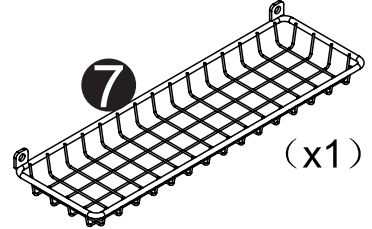
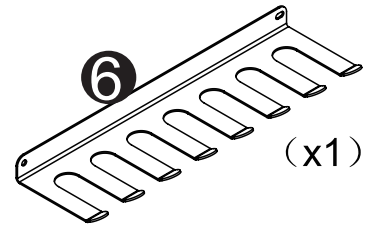
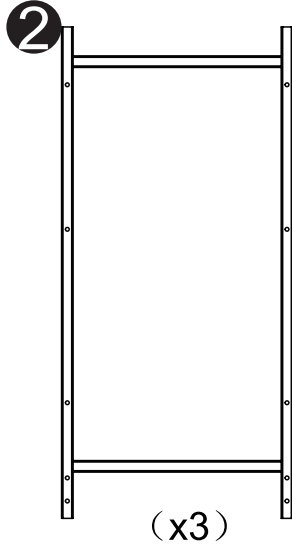
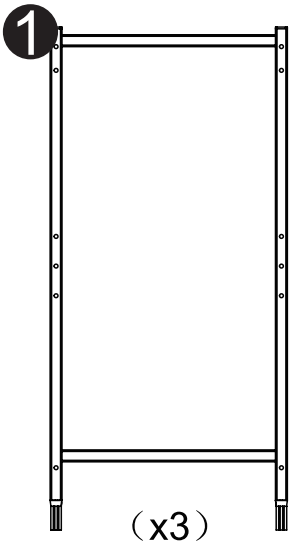


Installation & Assembly

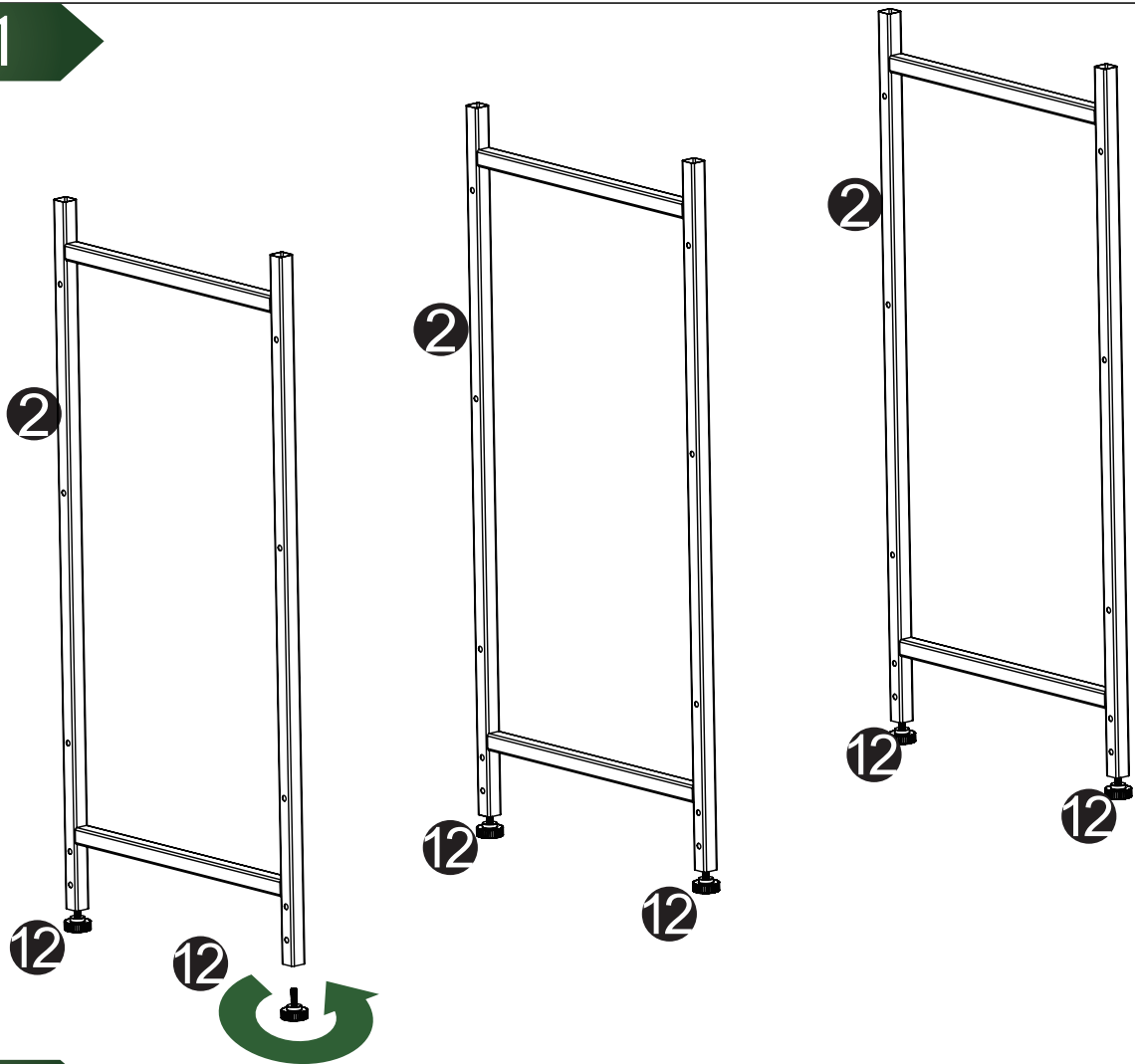




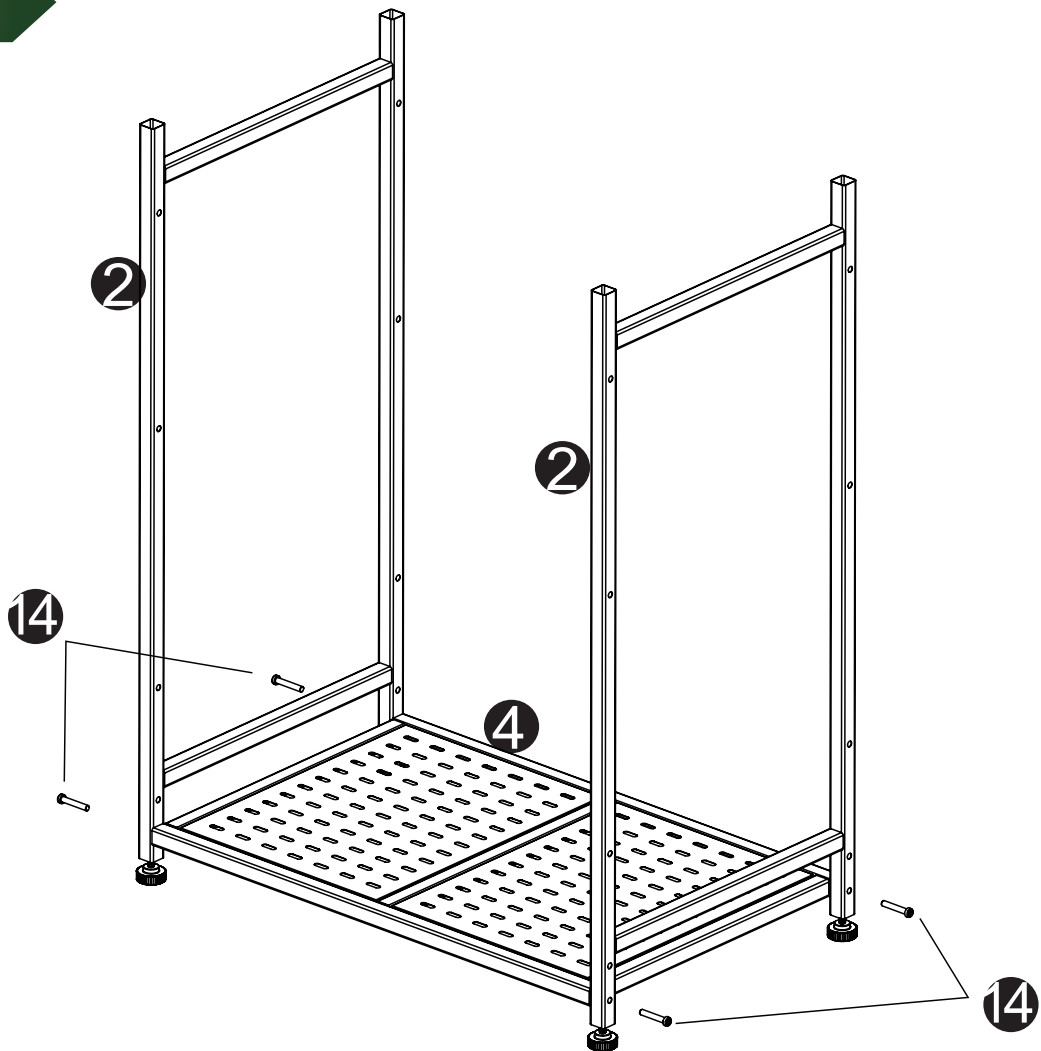
GOLF BAG & SPORTS EQUIPMENT RACK



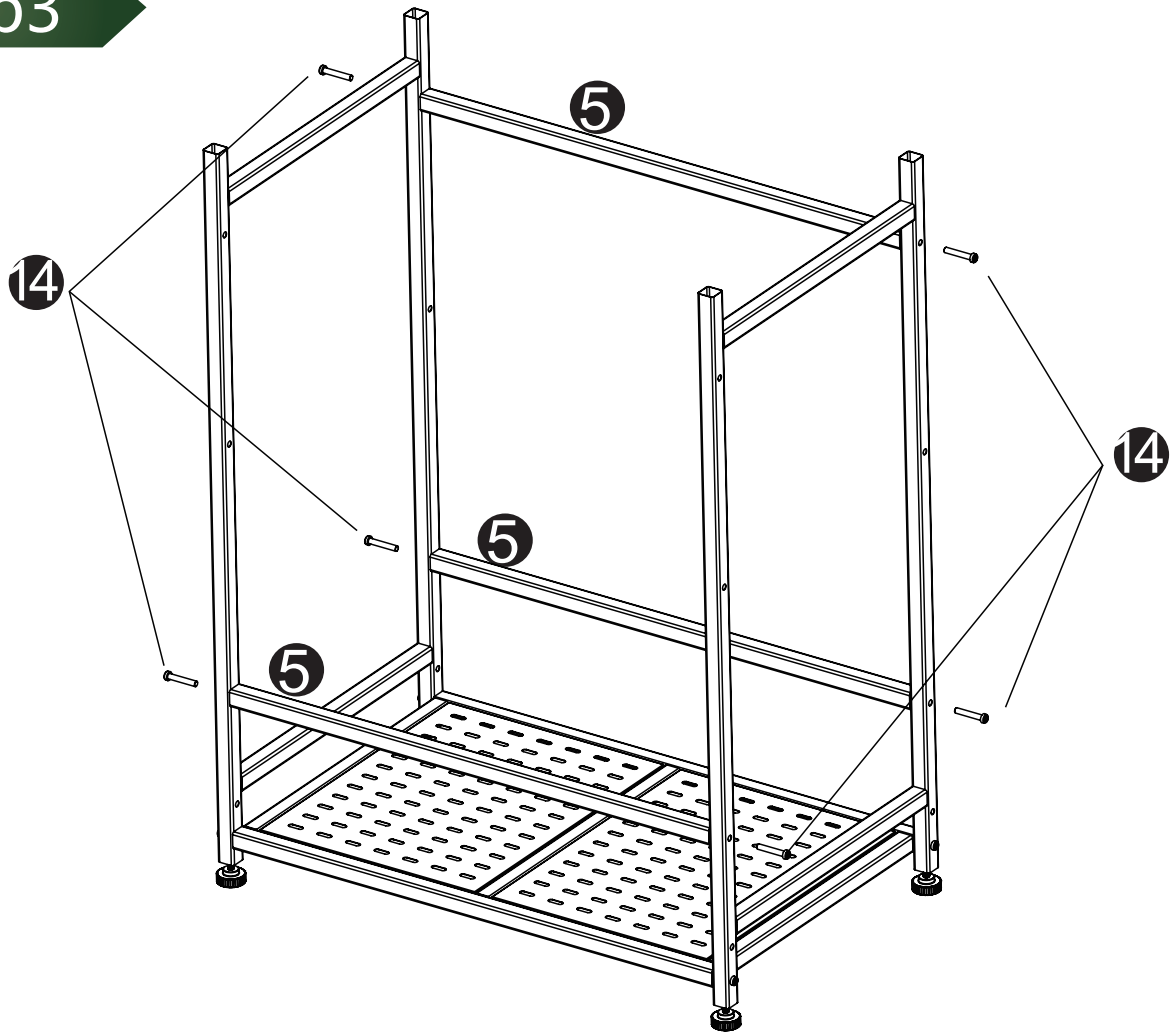
Step 1



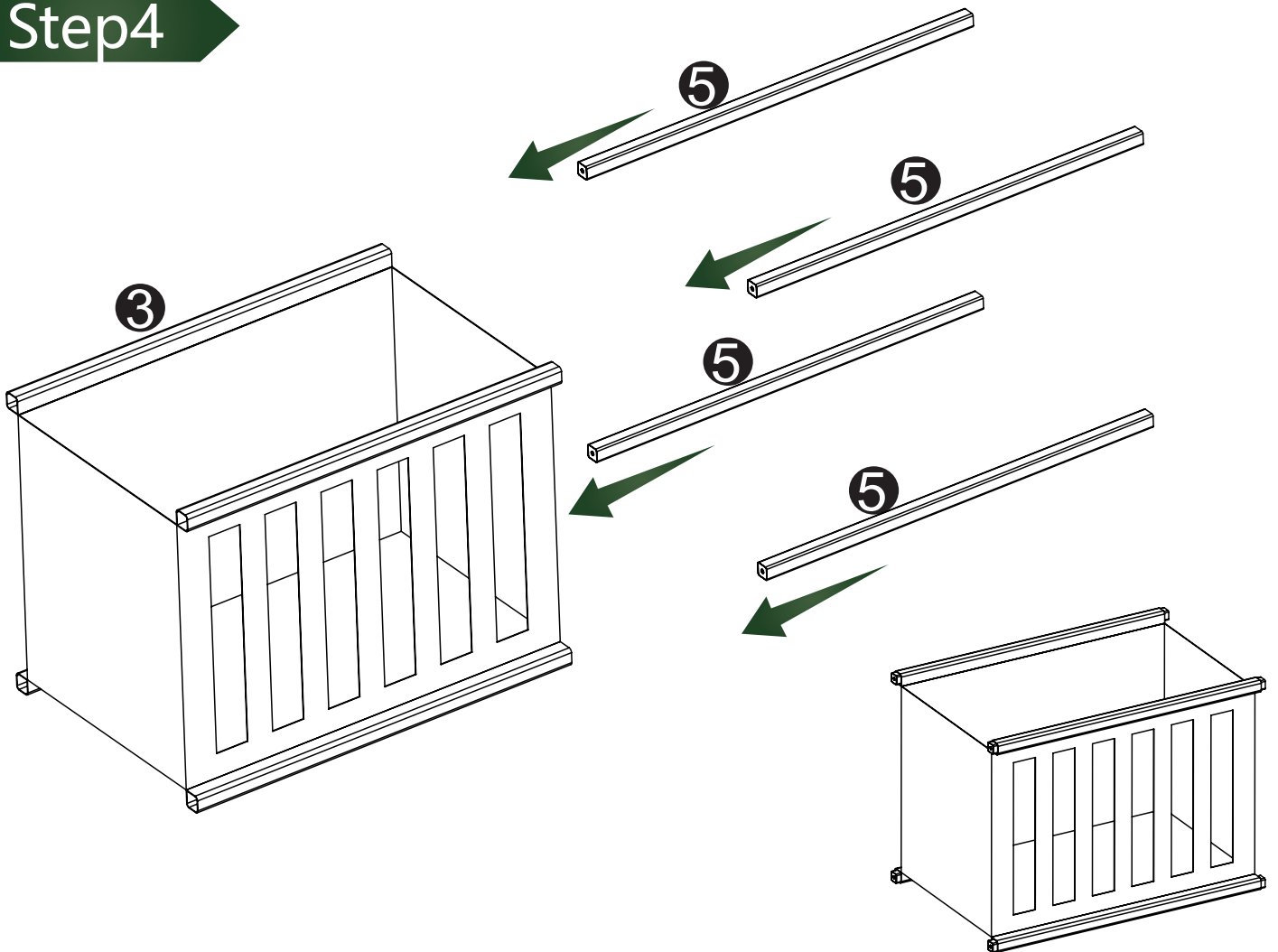
Step 2



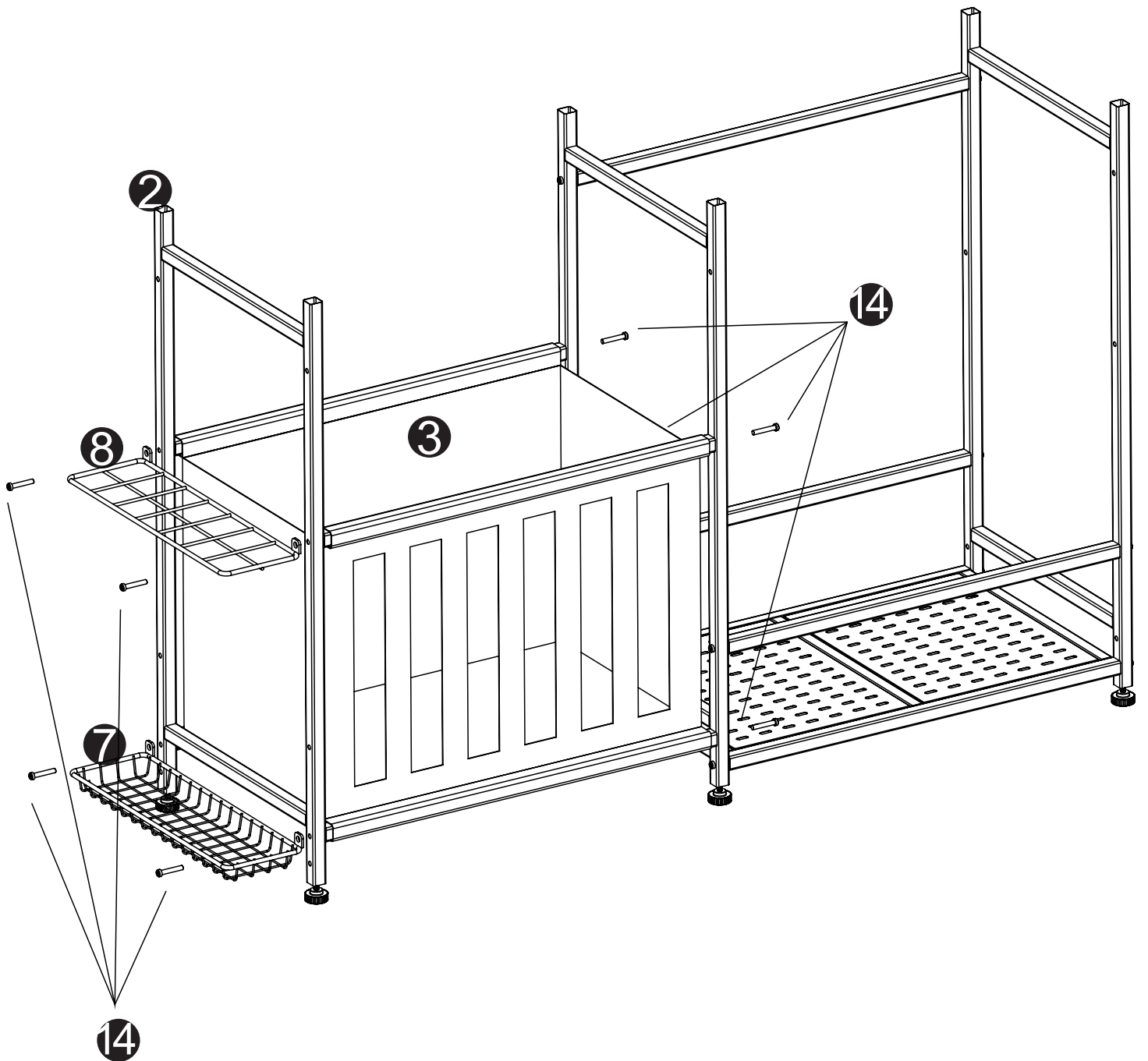
Step 3



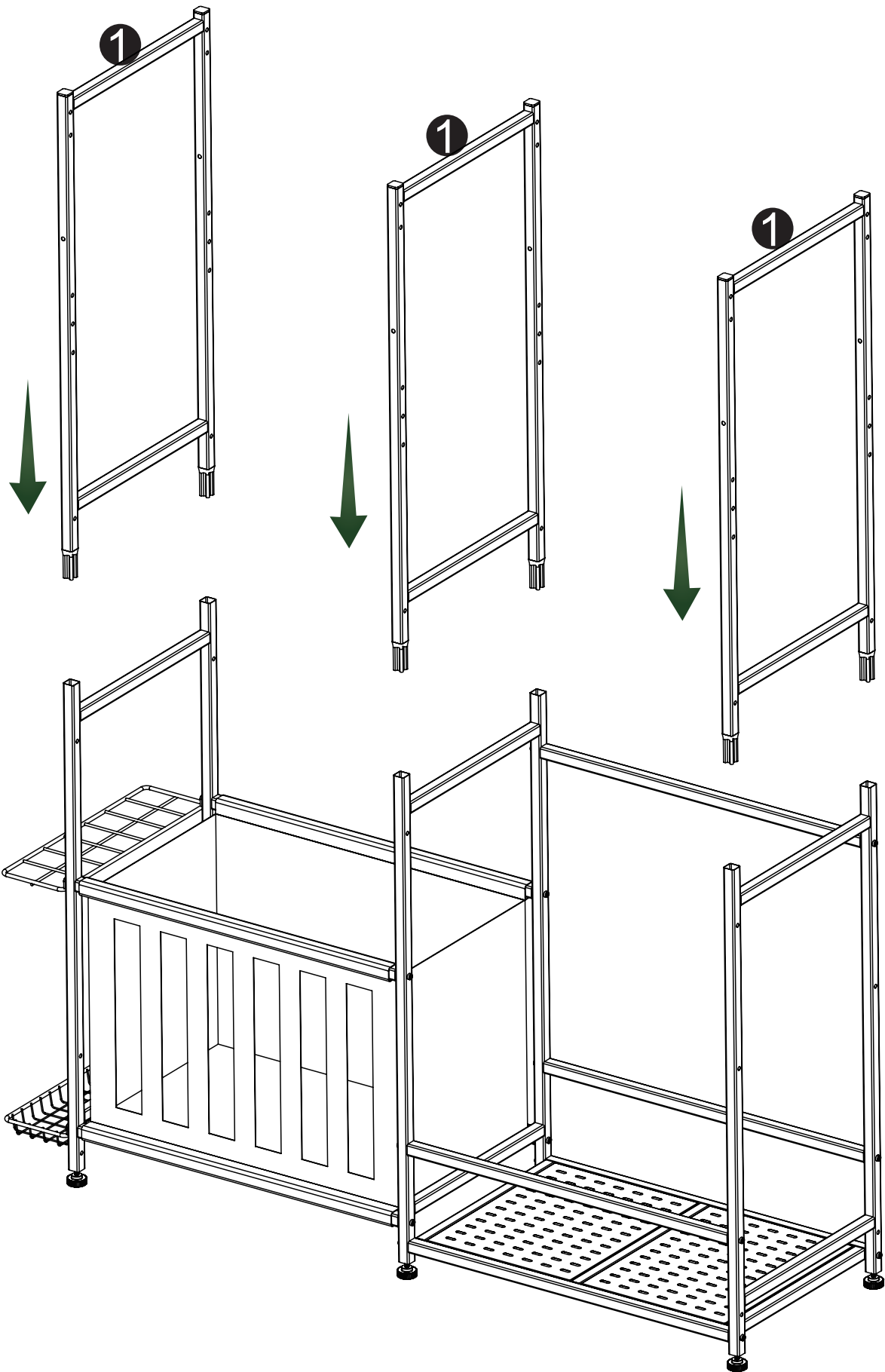
Step 4



Step 5

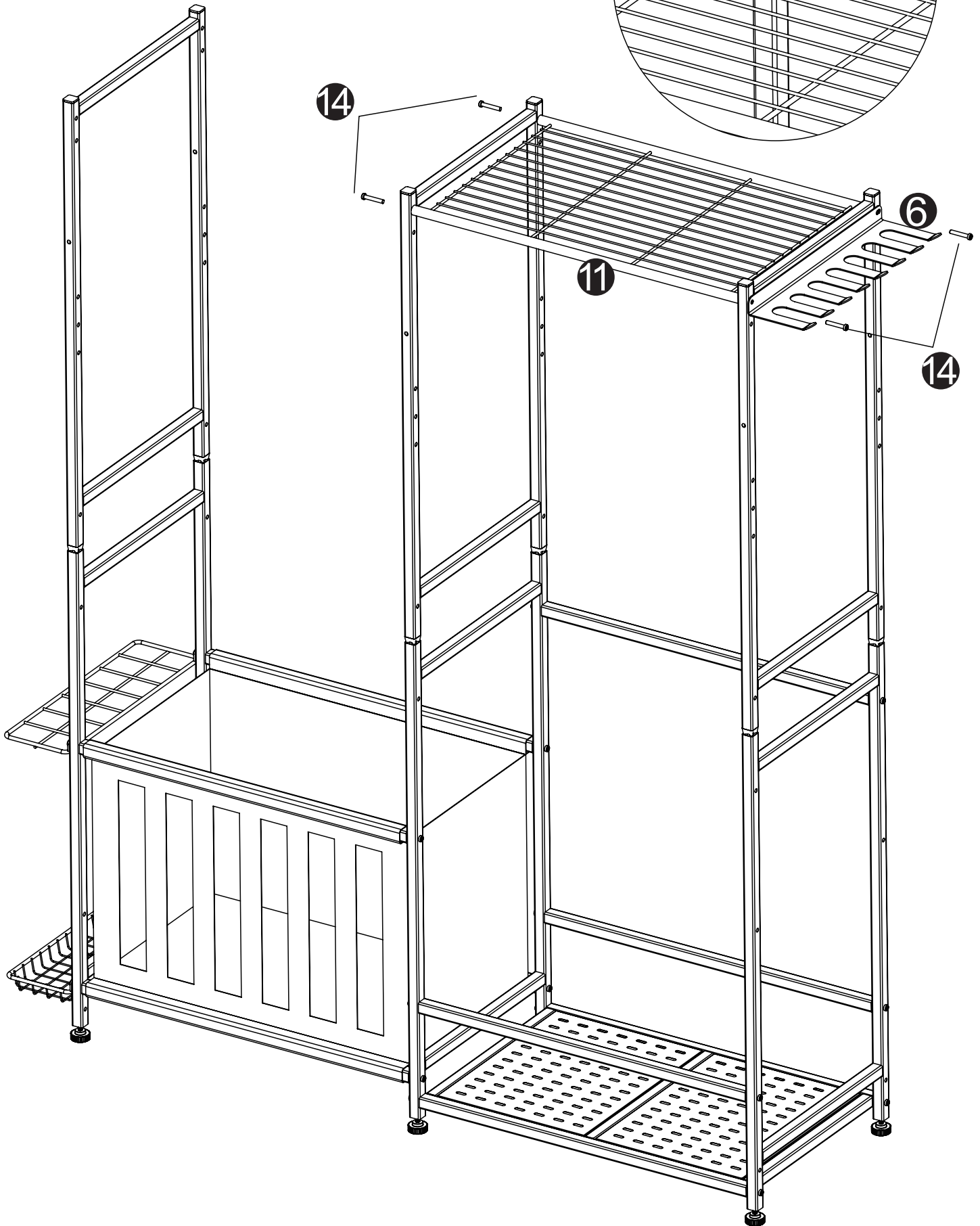
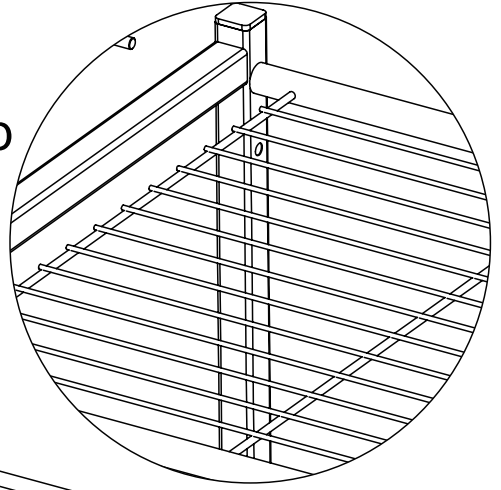


Step 6

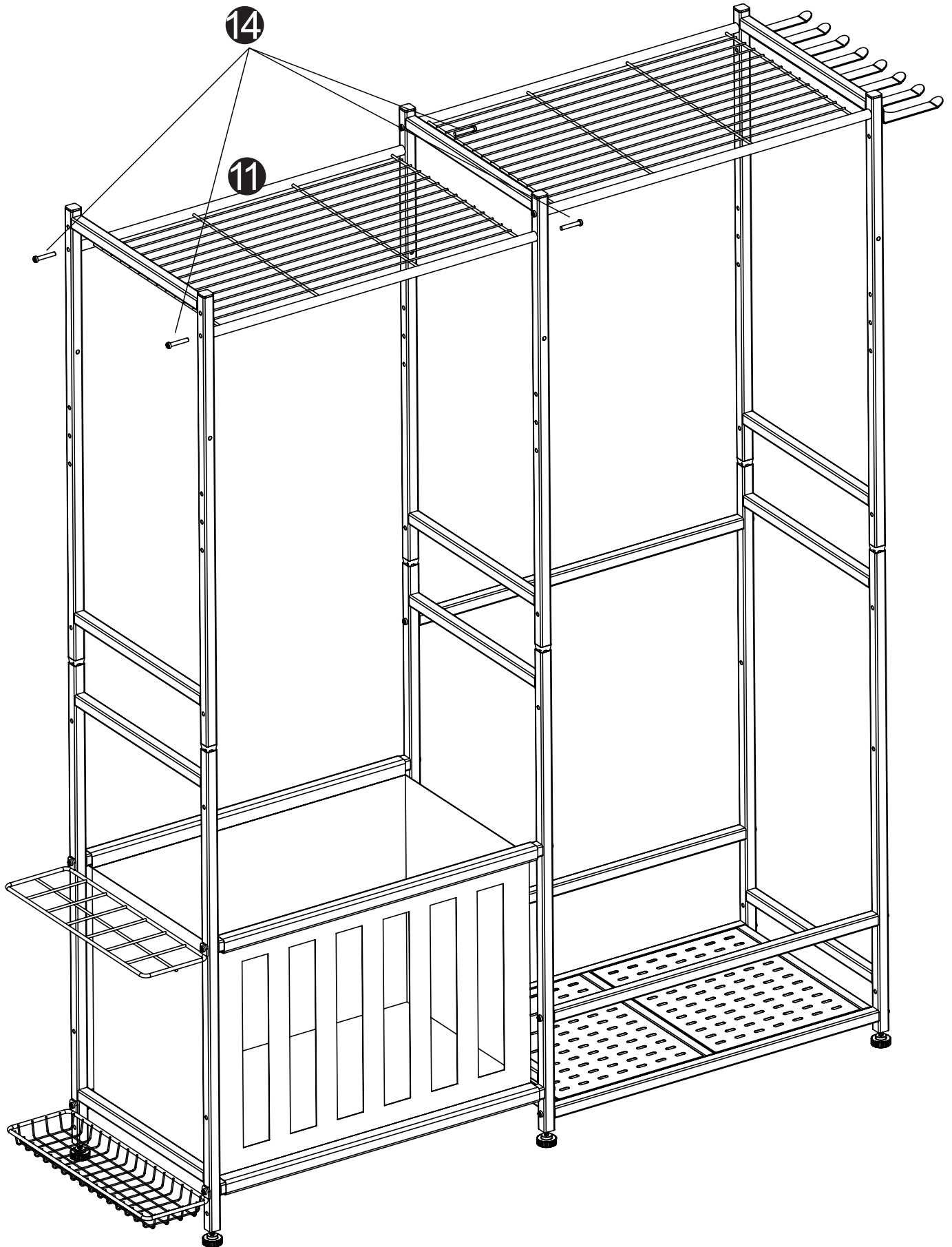


Step 7

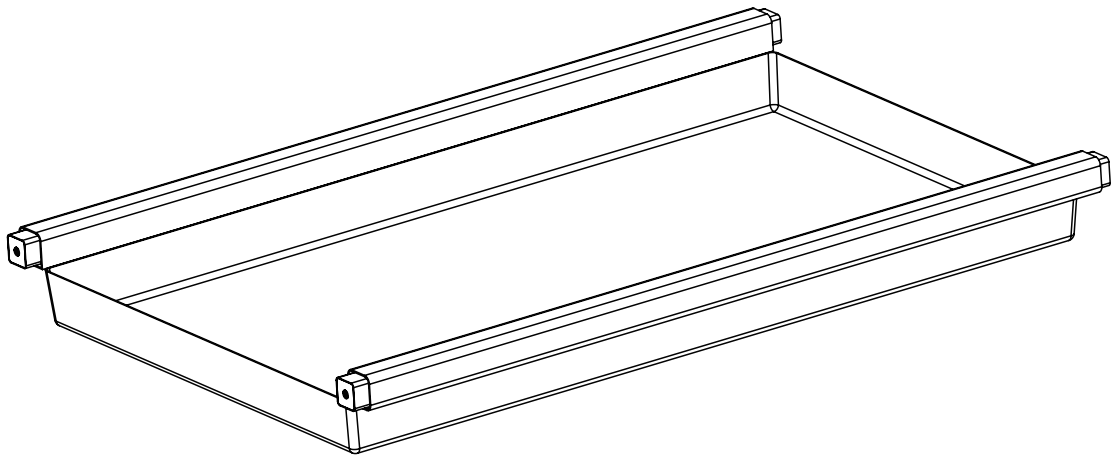
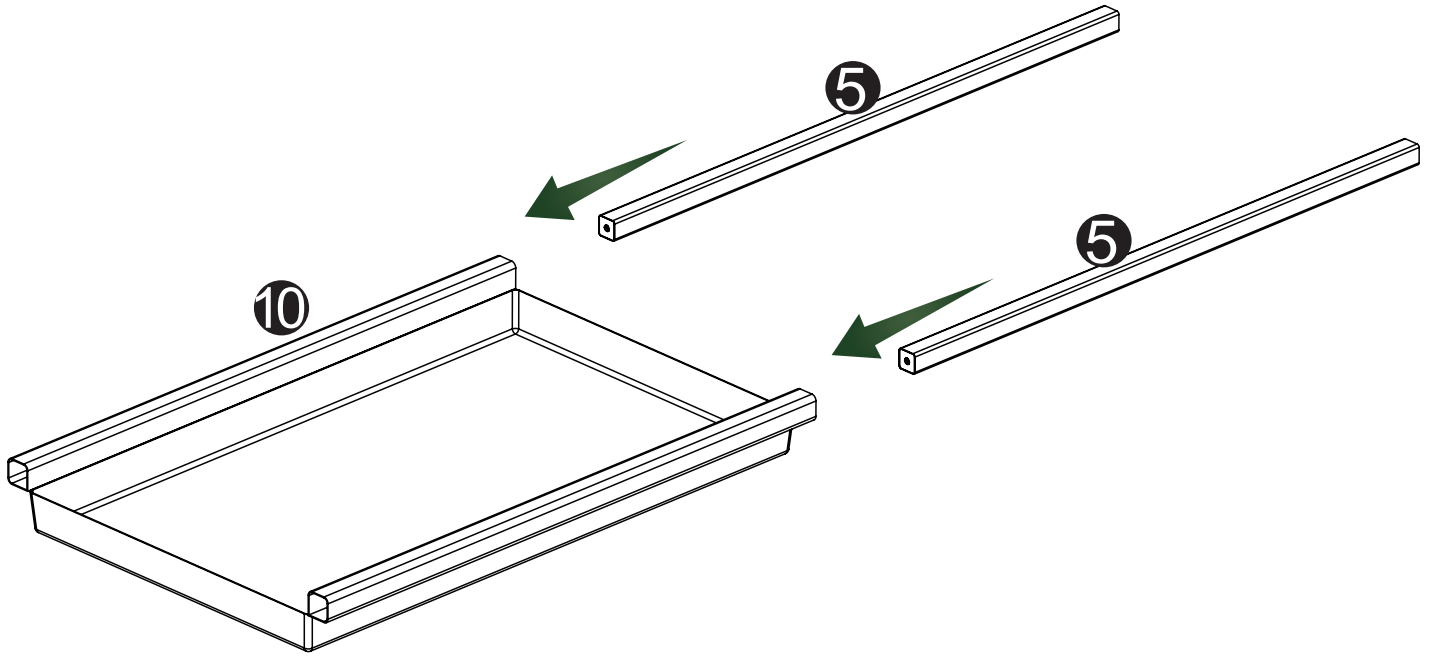
⚠ The flat side facing up



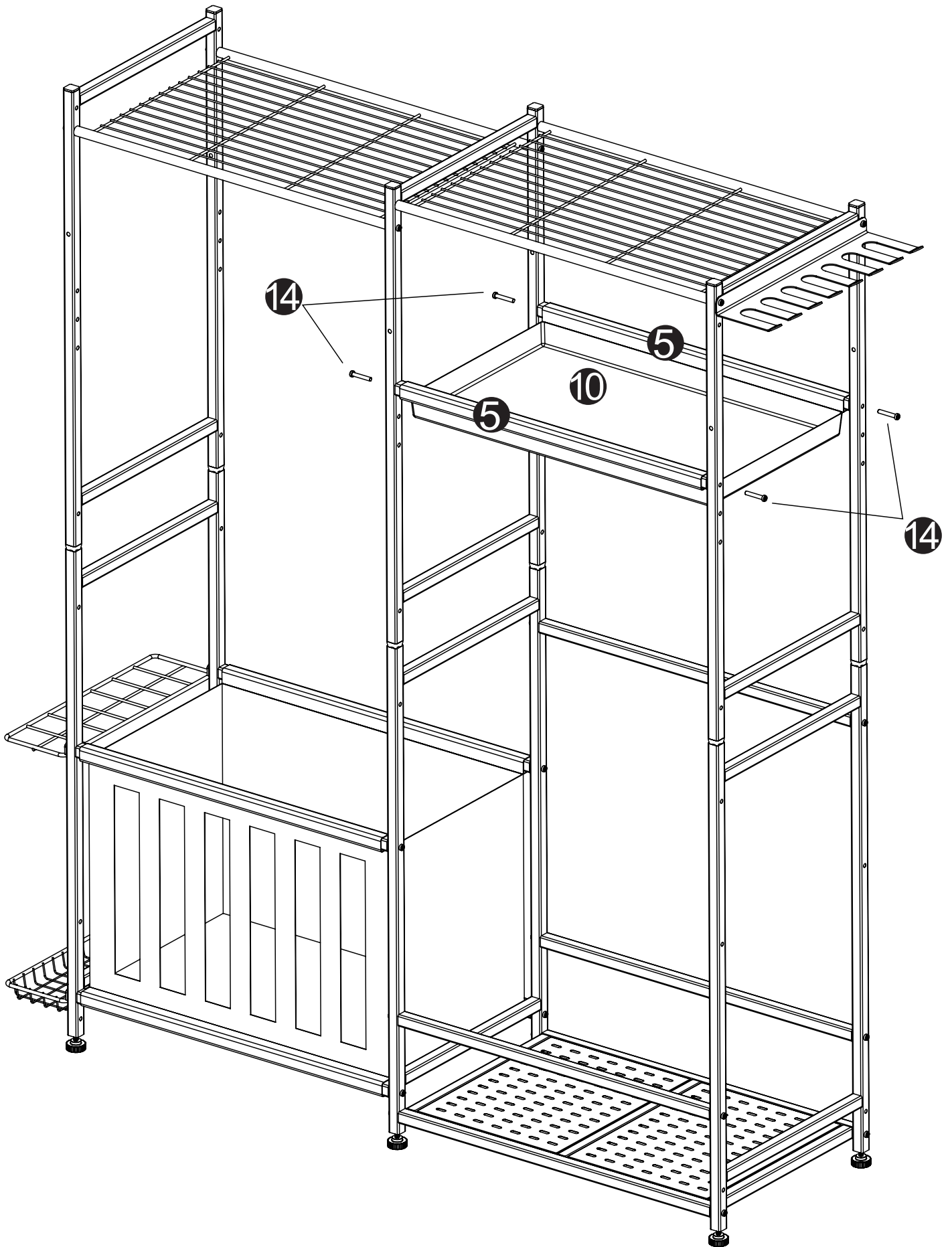
Step 8



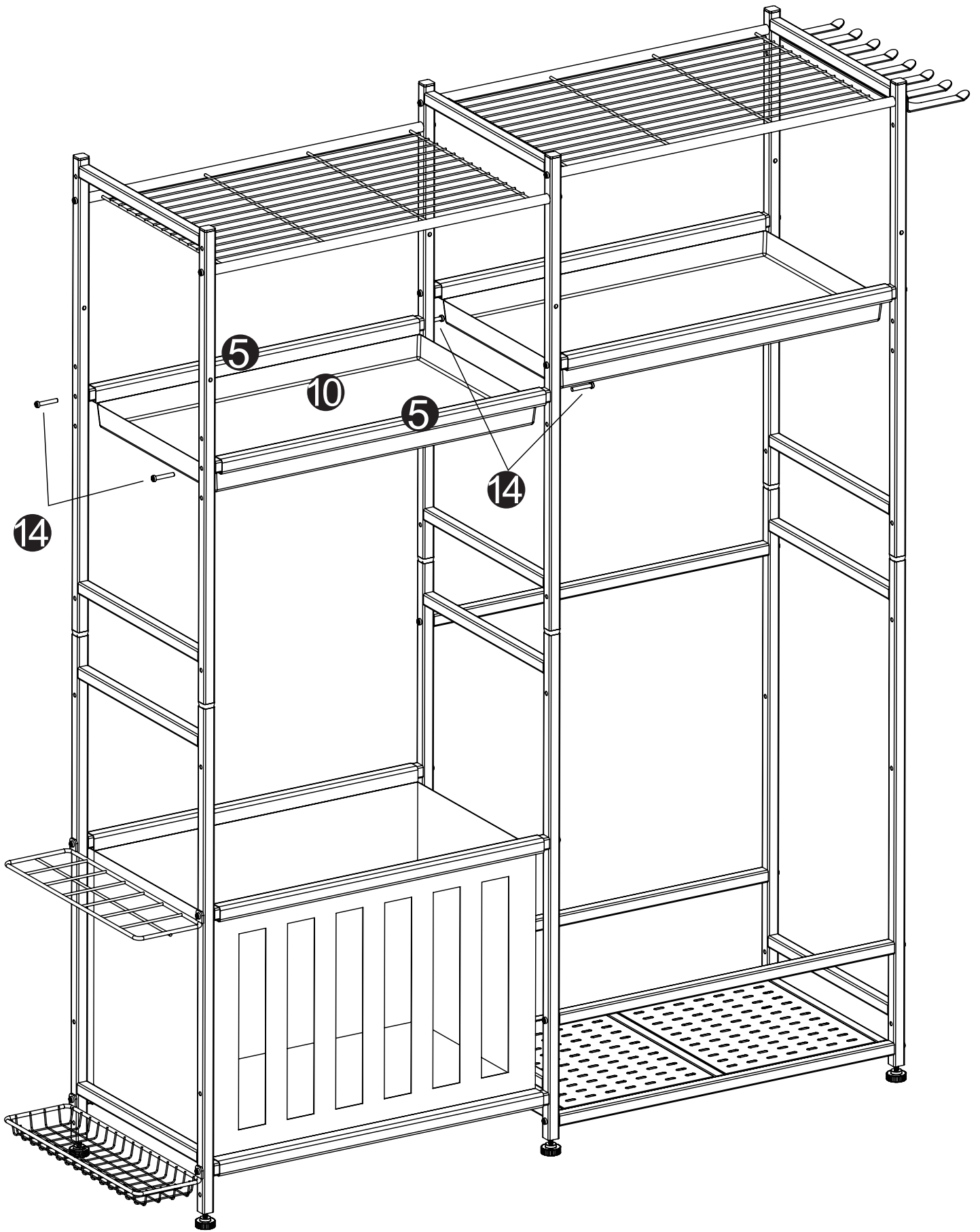
Step 9



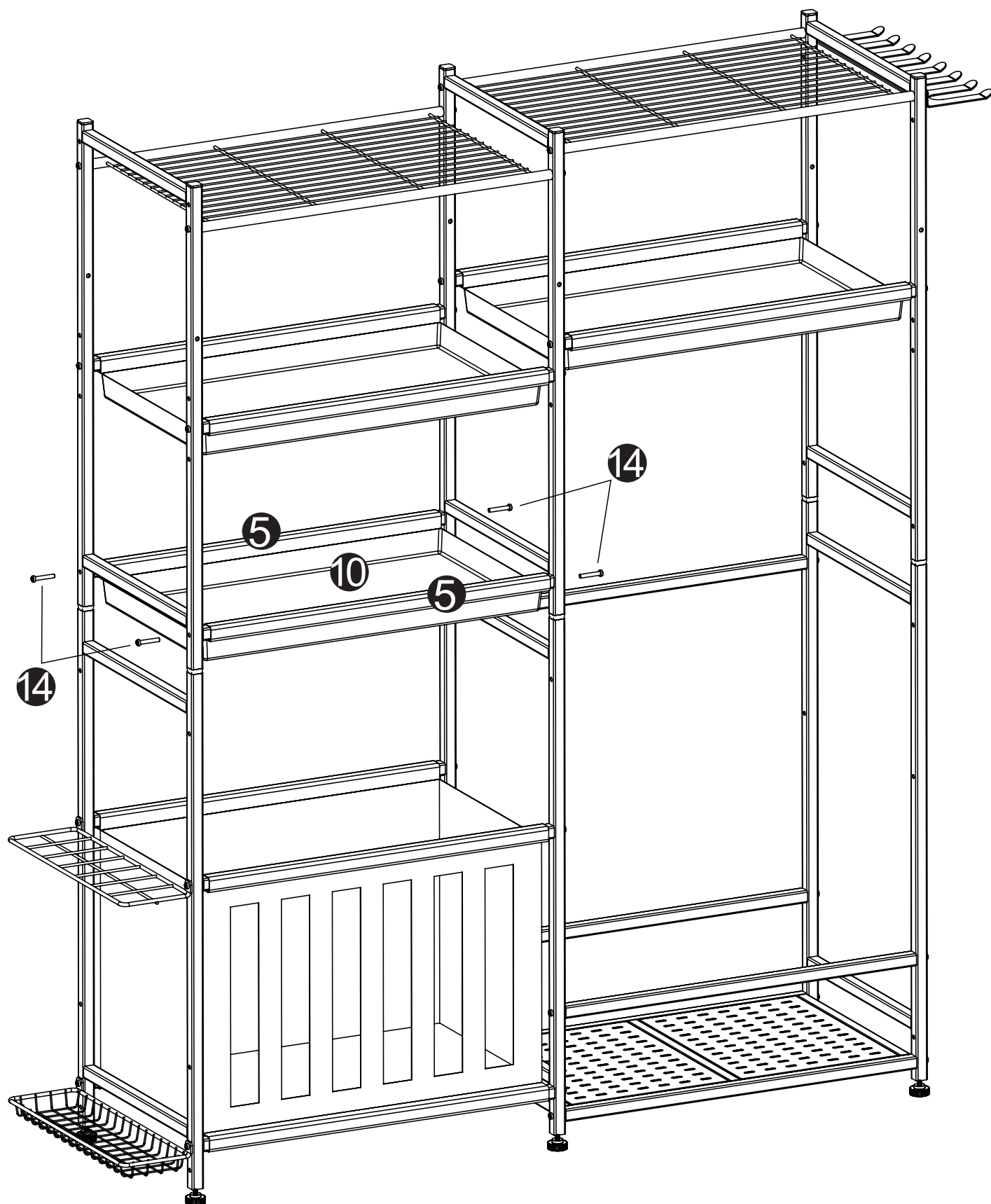
Step 10



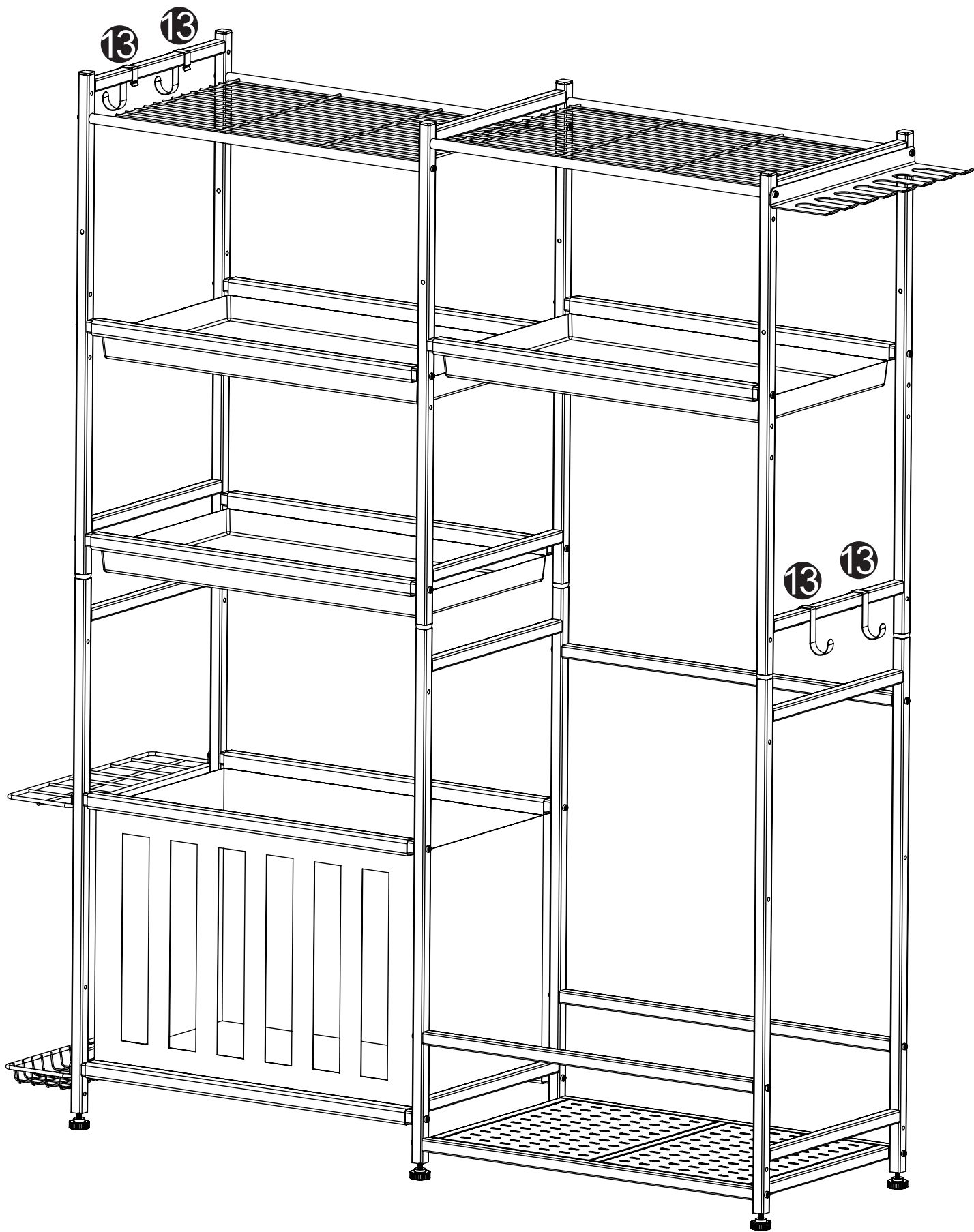
Step 11



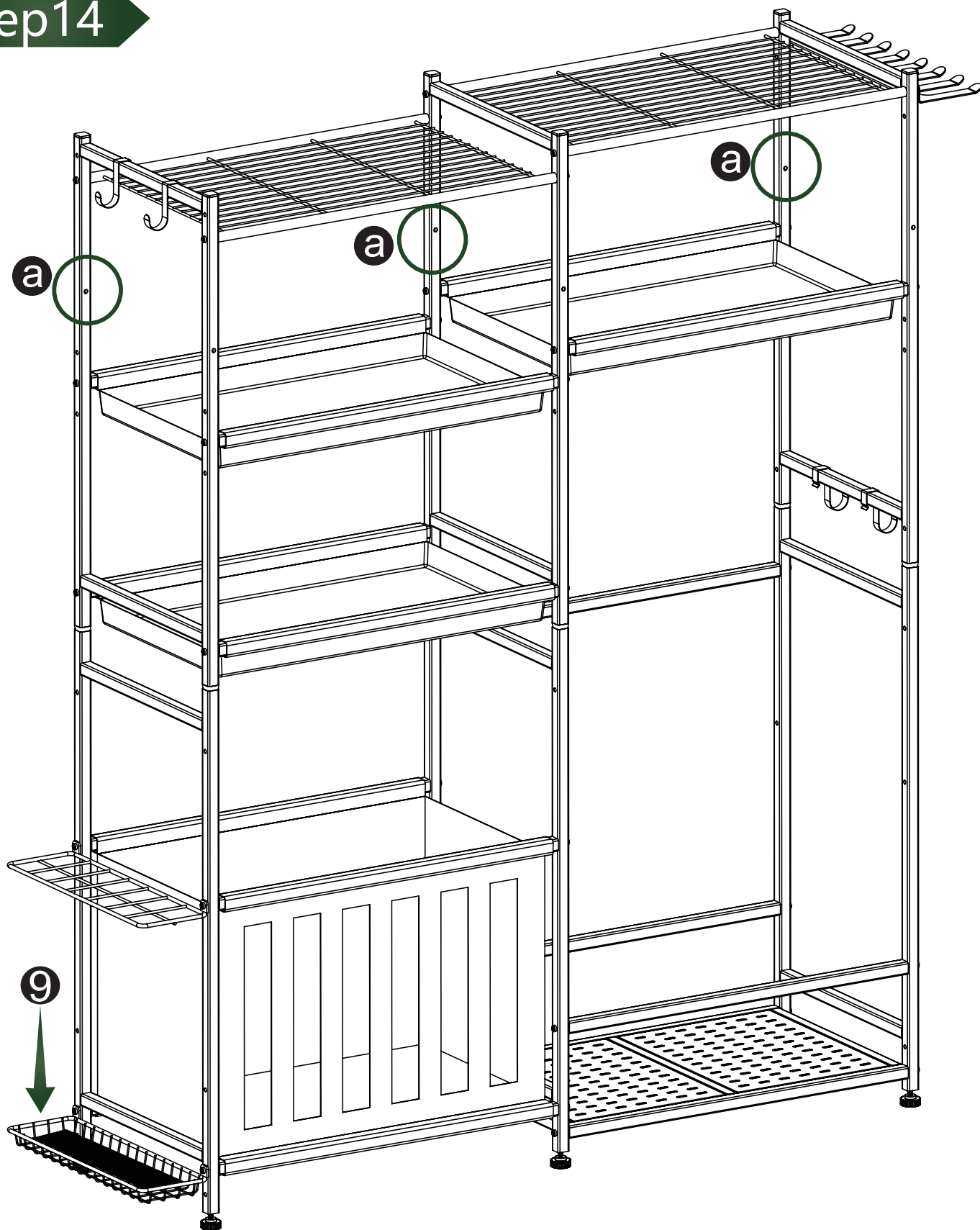
Step 12



Step 13



Step 14



1. The rack must be placed on a level surface to prevent it from tilting
2. After the installation is completed, adjust the Leveling Foot Pads to keep the rack stable.
3. If necessary, the rack can be secured to the wall through hole **a** (installation screws are not provided).
4. Climbing on the rack is prohibited as it could easily cause injury.

