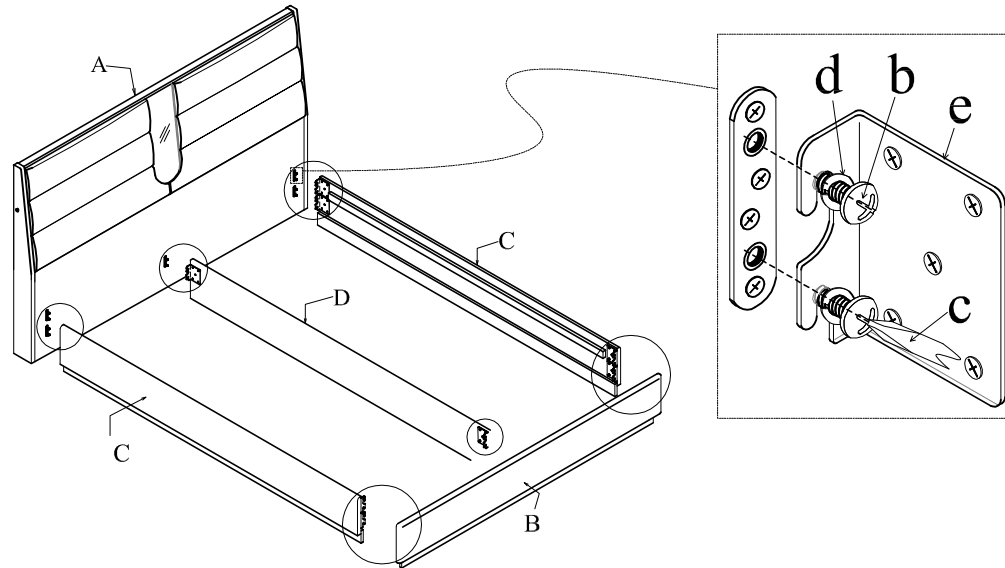


ASSEMBLY INSTRUCTION

BED

Thank you for purchasing this quality product. Be sure to check all packing material carefully for small parts that may have come loose inside the carton during shipment.

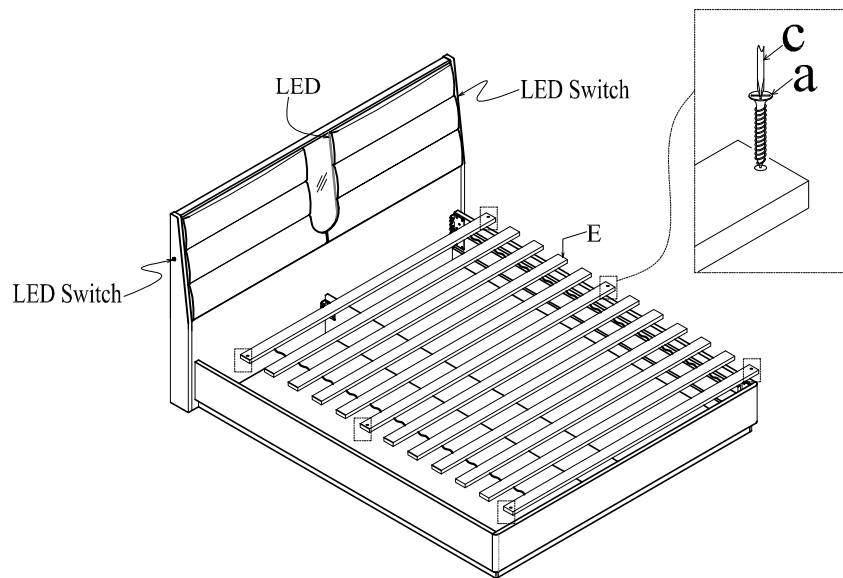
STEP 1



PART LIST

No	DESCRIPTION	SKETCH	QTY
A	Headboard		1pc
B	Footboard		1pc
C	Side Rail		2pcs
D	Center Rail		1pc
E	Slat		1set

STEP 2



HARDWARE LIST

No	DESCRIPTION	SKETCH	QTY
a	CSK Screw M4 x 32mm		6pcs
b	JCBC Screw M6 x 15mm		20pcs
C	Phillips head screwdriver		1pc
d	Spring Washer M8		20pcs
e	Plate		10pcs