
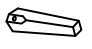
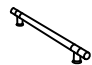


Assembly Instruction








Thank you for your purchase. Before discarding packaging material be sure you have located all the parts including the necessary hardware and tools listed on the instruction sheet below.

Caution: Read before unpacking Assembly Parts. Sharp exposed staple tips can cause injury. For your protection, please remove any exposed staples used in packaging.

PARTS LIST

NO	DESCRIPTION	FIGURE	QTY
1	CHEST		1pc
2	FEET		4pcs
3	ACRYLIC PULL		2pcs

HARDWARE LIST

NO	DESCRIPTION	FIGURE	QTY
A	BOLT		4 pcs
B	FLAT WASHER		4 pcs
C	SPRING WASHER		4 pcs
D	ALLEN KEY		1 pc
E	FLAT SCREW		4 pcs
F	RUBBER GASKET		4 pcs
G	COPPER SLEEVE		4 pcs

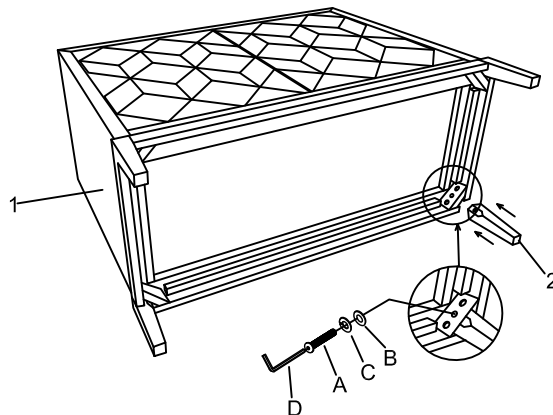
INSTRUCTIONS:

STEP 1. Place pre-assembled chest (1) upside down on a soft, flat surface. Insert the feet (2) to pre-assembled chest(1), fully tighten all the feet.

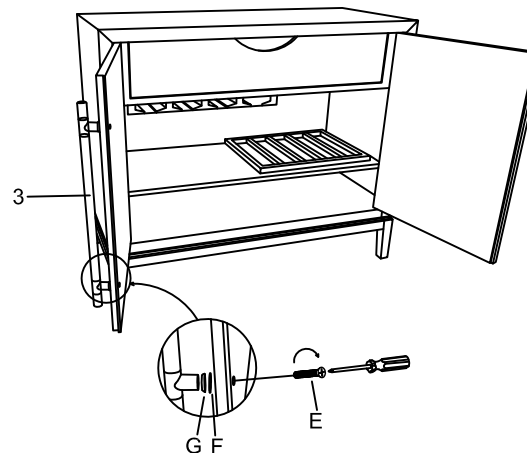
STEP 2. Place the chest upright, install the acrylic pull into the door.

SEE THE ILLUSTRATION

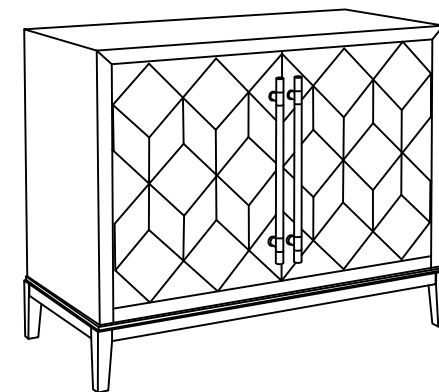
STEP 1



STEP 2



STEP 3



Assembly is completed