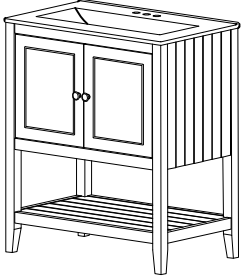


ASSEMBLY INSTRUCTIONS

Thank you for purchasing this quality Product. Be sure to check all packing material carefully for small parts, which may have come loose inside carton during shipment. Identify and count all parts and compare with the parts list below.


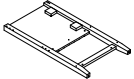
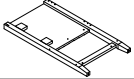

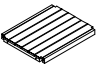

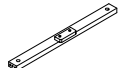
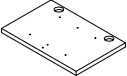
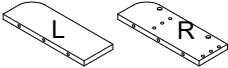
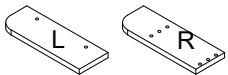
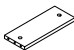
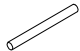



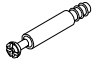




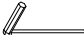



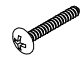
ASSEMBLY INSTRUCTION:

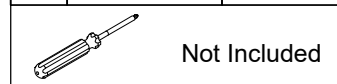
1. Remove hardware from box and sort by size.
2. Please check to see that all hardware and parts are present prior start of assembly.
3. Please follow attached instruction in the same sequence as numbered assure fast and easy assembly.

WARNING!

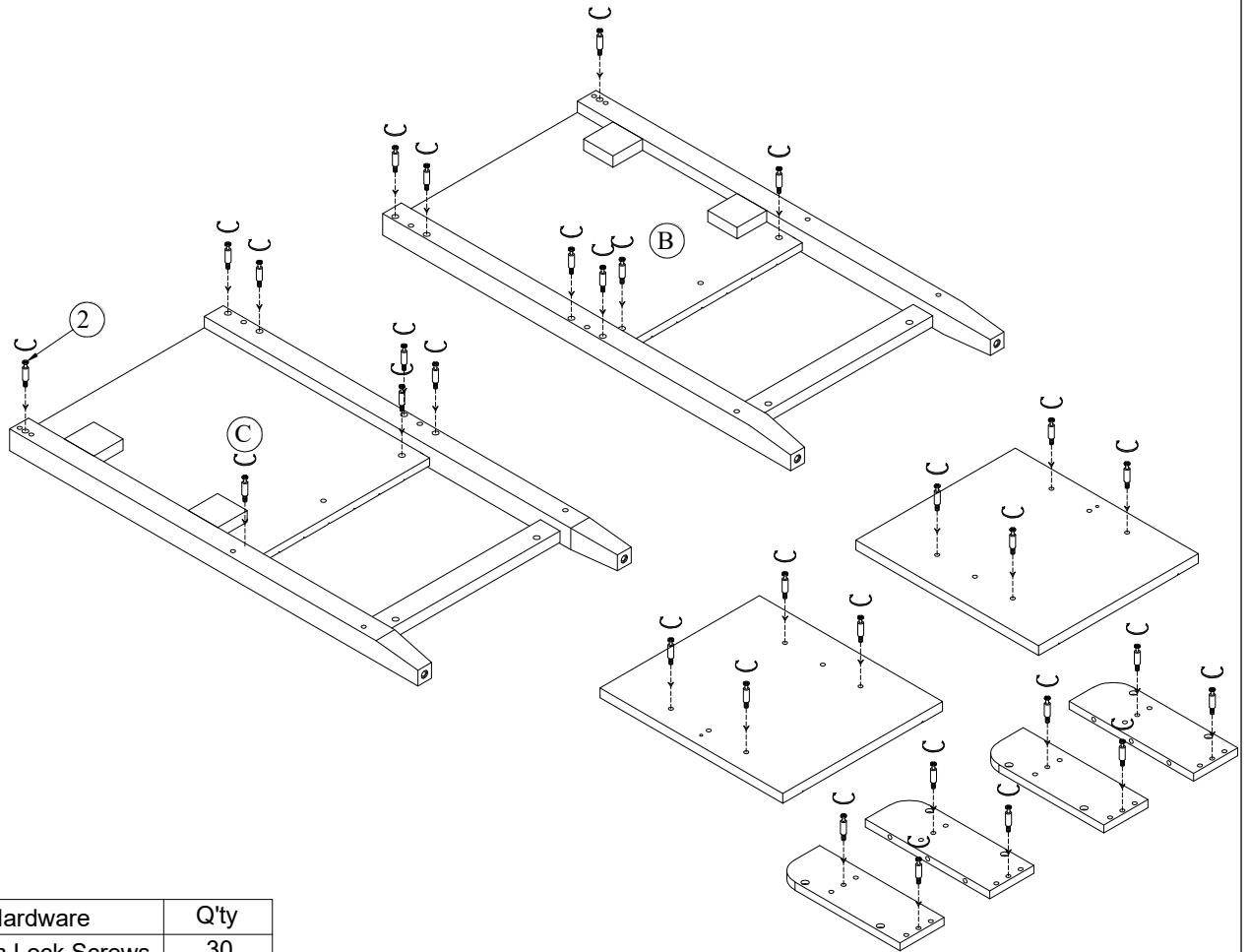
1. Don't attempt to repair or modify parts that are broken or defective. Please contact the store immediately.
2. This product is for home use only and not intended for commercial establishments.
3. Two persons are required for assembly.
4. Approximate assembly time 1/2 hours.
5. Component parts and fittings contained in the box. Please sort out all parts before you begin to assemble the item. This is to make sure you always use the correct part.
6. It is **STRONGLY RECOMMENDED** that you **ANCHOR** this product. Tying furniture can cause serious injuries and death. To prevent your furniture from tipping forward it is strongly recommended that you securely attach this product to a wall or other solid surface, using the anchor straps provided appropriate fixings.

| No. | Component | Q'ty |
|-----|--|------|
| A |  Sink | 1 |
| B |  Left Side Panel | 1 |
| C |  Right Side Panel | 1 |
| D |  Bottom | 1 |
| E |  Shelf | 1 |
| F |  Back Panel | 2 |
| G |  Front Bar | 1 |
| H |  Doors | 2 |
| I |  Left Racket Panel | 2 |
| K |  Right Racket Panel | 2 |
| L |  Mid Racket Panel | 4 |
| M |  Round horizontal Bar | 4 |

| No. | Hardware | Q'ty |
|-----|--|------|
| 1 |  Cam Lock | 30 |
| 2 |  Cam Lock Screws | 30 |
| 3 |  Wooden | 36 |
| 4 |  Allen Bolts 1/4" x 40" | 4 |
| 5 |  Flat Washers 1/4" x 16 x 2" | 4 |
| 6 |  Lock washers 1/4" x 11 x 2" | 4 |
| 7 |  Allen key | 1 |
| 8 |  Hinges | 4 |
| 9 |  Screws M3.5x15 | 24 |
| 10 |  Knob | 2 |
| 11 |  Screws M4x25 | 2 |

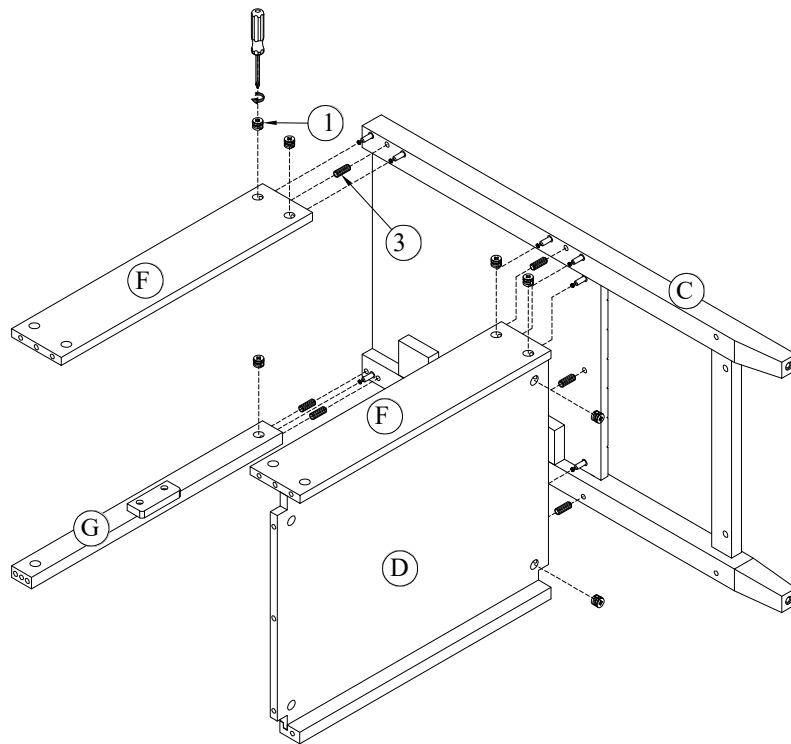


Step 1



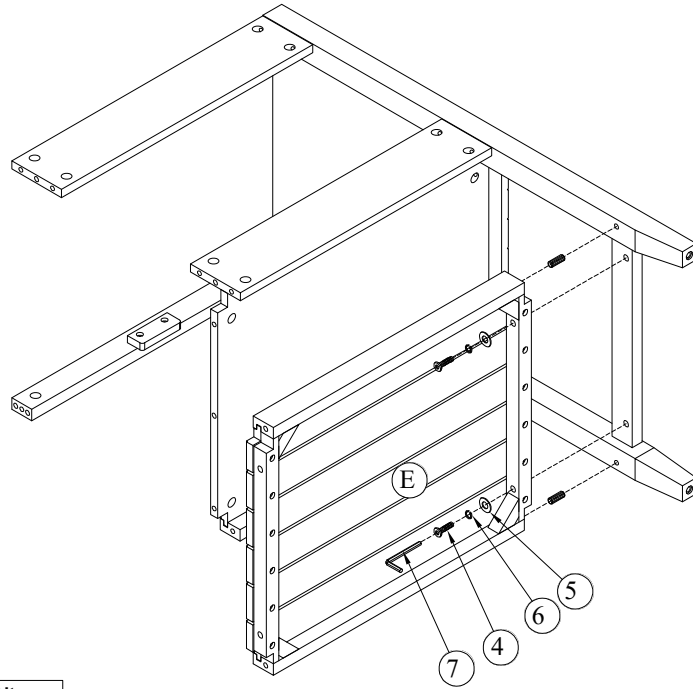
| No | Hardware | Q'ty |
|----|-----------------|------|
| 2 | Cam Lock Screws | 30 |

Step 2



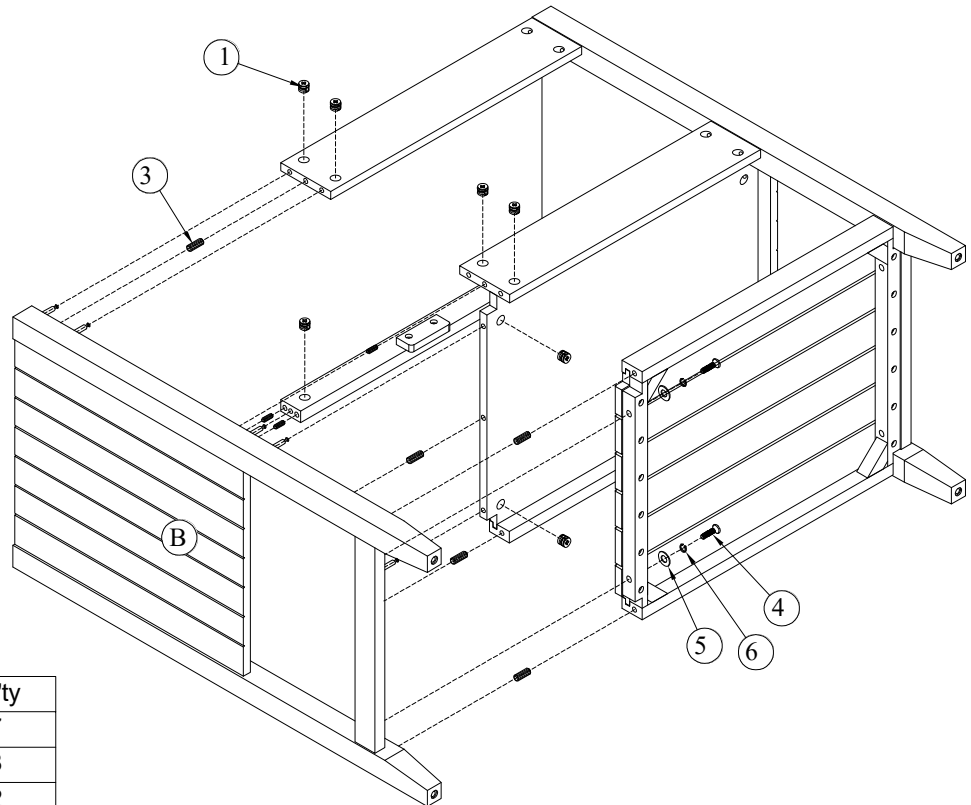
| No | Hardware | Q'ty |
|----|----------|------|
| 1 | Cam Lock | 7 |
| 3 | Wooden | 6 |

Step 3



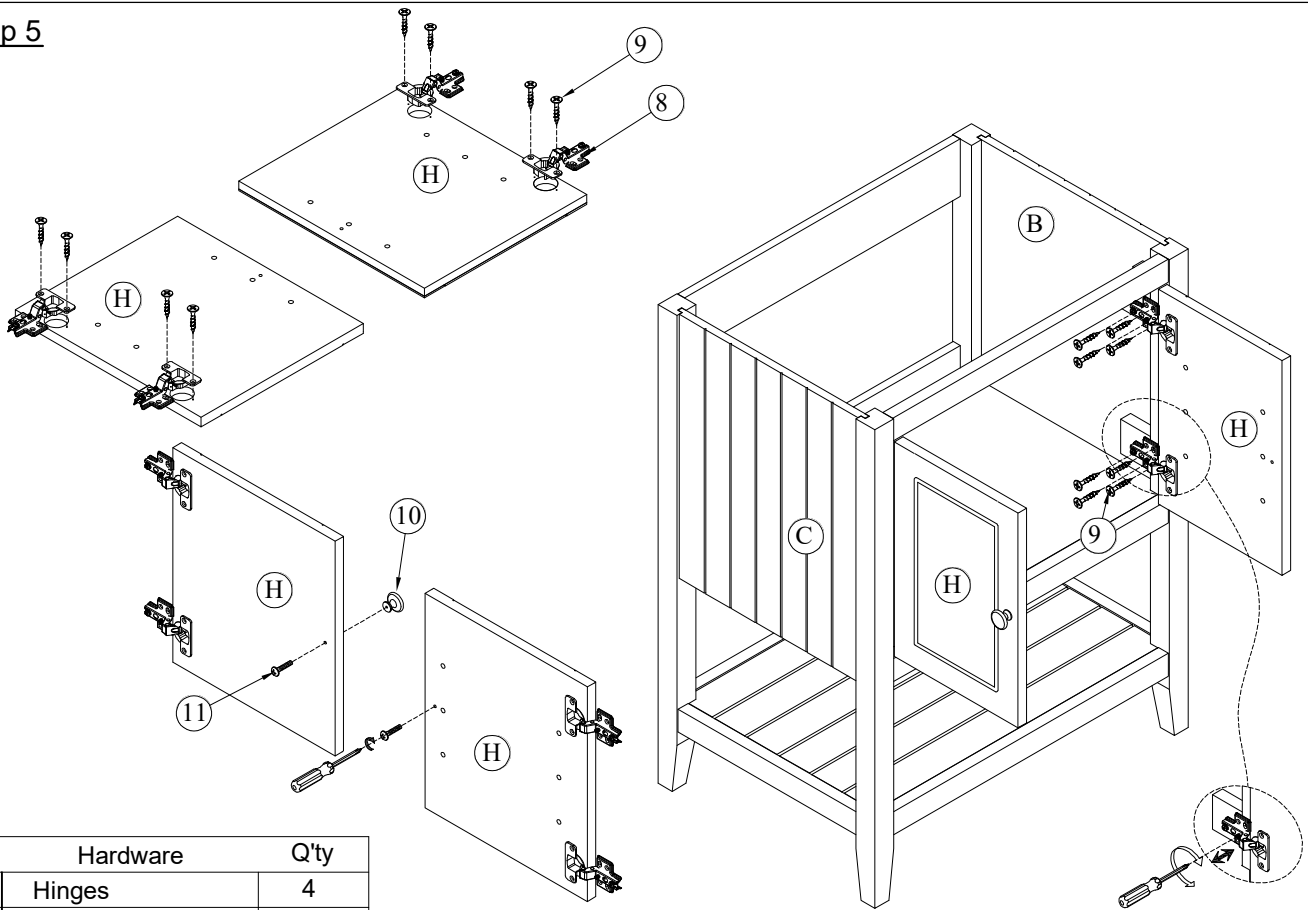
| No | Hardware | Q'ty |
|----|--------------|------|
| 3 | Wooden | 2 |
| 4 | Allen Bolts | 2 |
| 5 | Flat Washers | 2 |
| 6 | Lock washers | 2 |
| 7 | Allen key | 1 |

Step 4



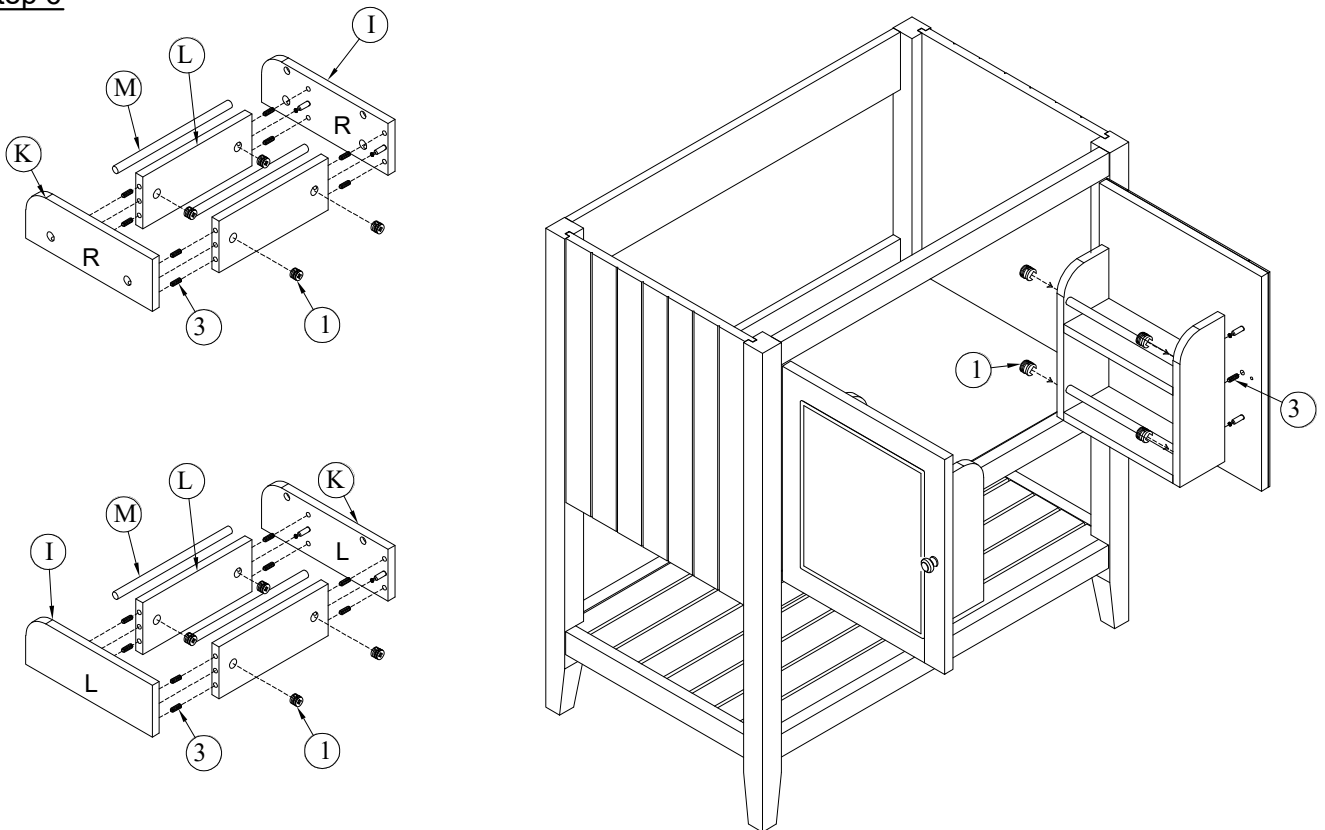
| No | Hardware | Q'ty |
|----|--------------|------|
| 1 | Cam Lock | 7 |
| 3 | Wooden | 8 |
| 4 | Allen Bolts | 2 |
| 5 | Flat Washers | 2 |
| 6 | Lock washers | 2 |
| 7 | Allen key | 1 |

Step 5



| No | Hardware | Q'ty |
|----|------------------|------|
| 8 | Hinges | 4 |
| 9 | Screws M3.5 x 15 | 24 |
| 10 | Knob | 2 |
| 11 | Screws M4 x 25 | 2 |

Step 6



| No | Hardware | Q'ty |
|----|----------|------|
| 1 | Cam Lock | 16 |
| 3 | Wooden | 20 |

Step 7

