

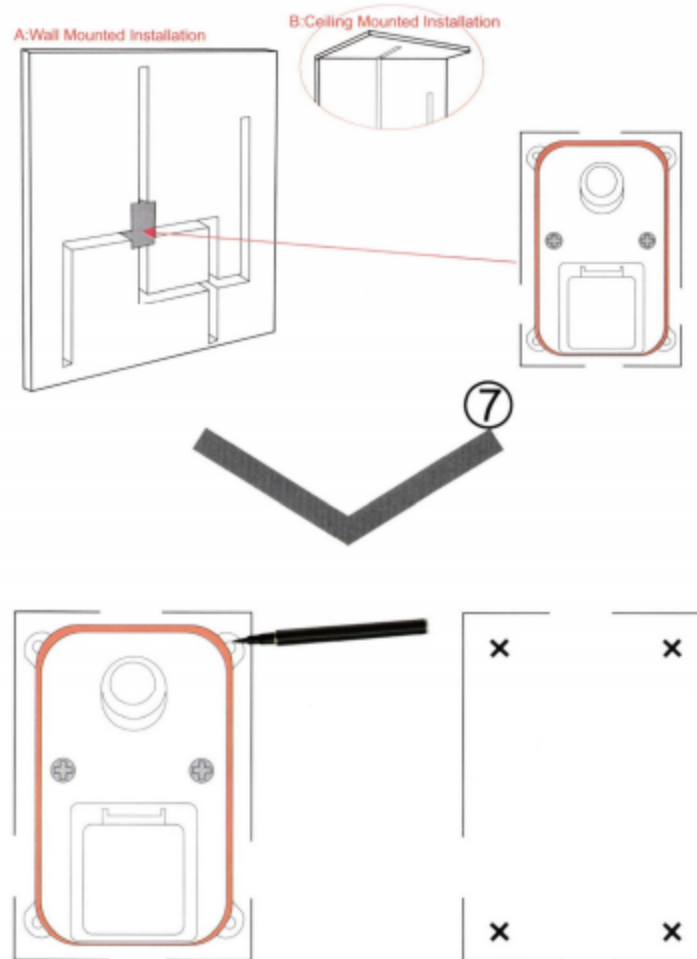
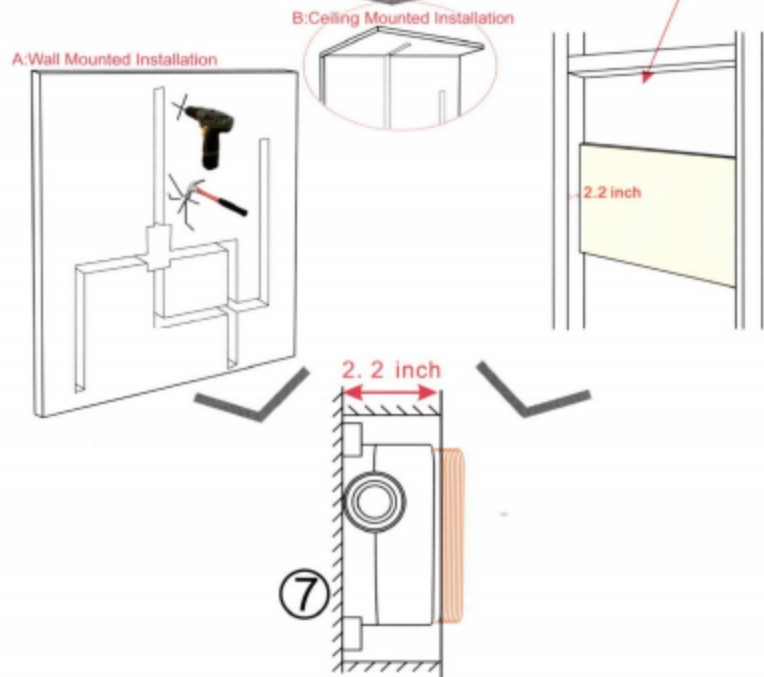
1. Before you start, prepare the wall for installation.

(The depth is for reference only, please according to the actual thickness of tiles to decide the installation depth)

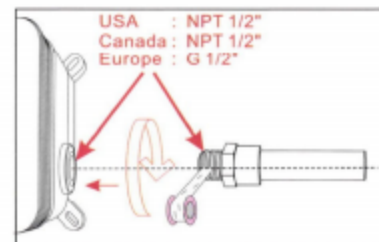
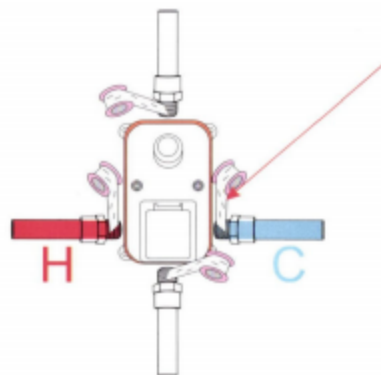
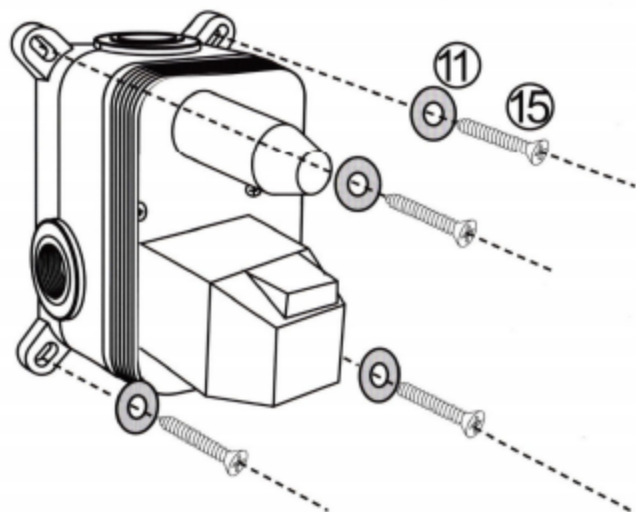
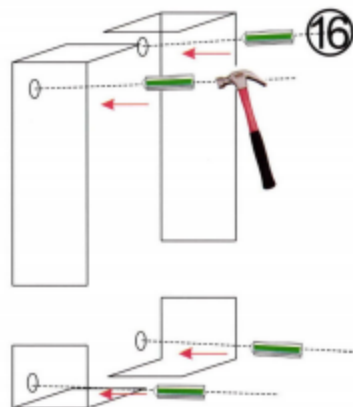
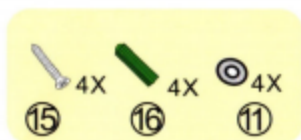


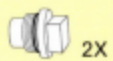
(Concrete wall)

(Wood wall)



2. Clean the insides of all water pipes and fittings of dirt and other impurities.

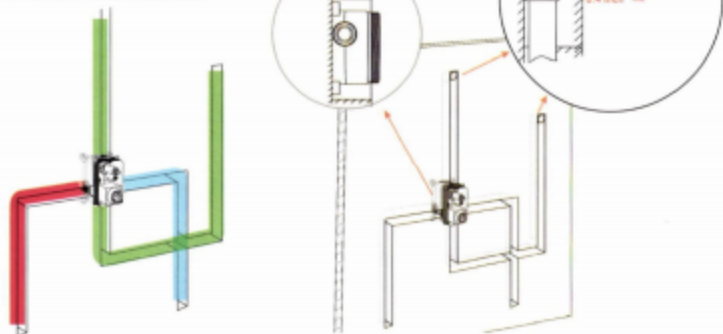




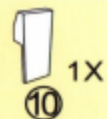
2X

17

A: Wall Mounted Installation



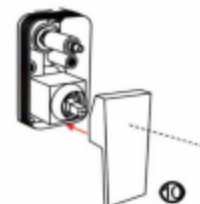
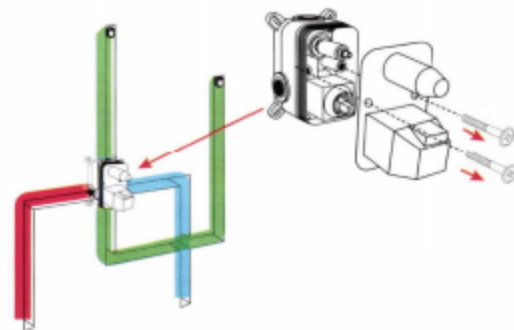
3. Check for leakage and/or blockage on both hot and cold water supplies.



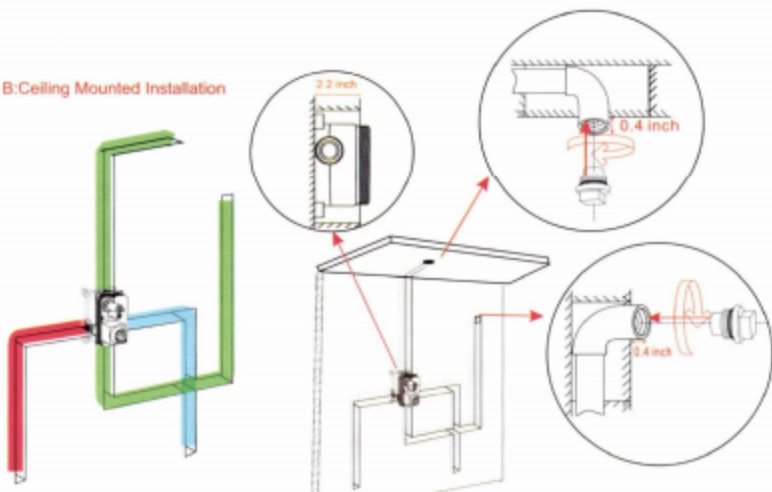
1X

10

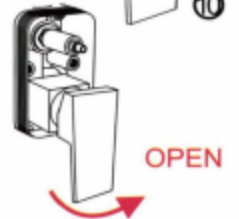
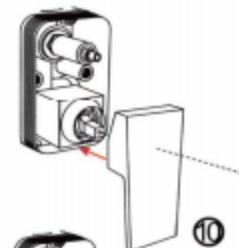
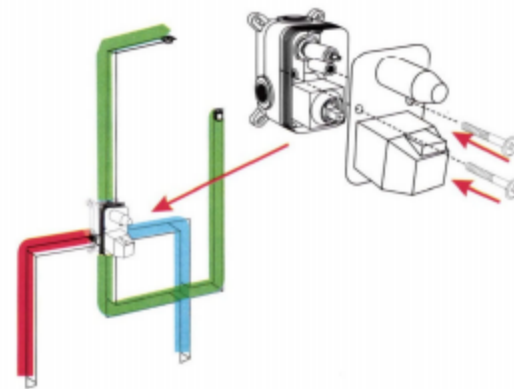
A: Wall Mounted Installation



B: Ceiling Mounted Installation

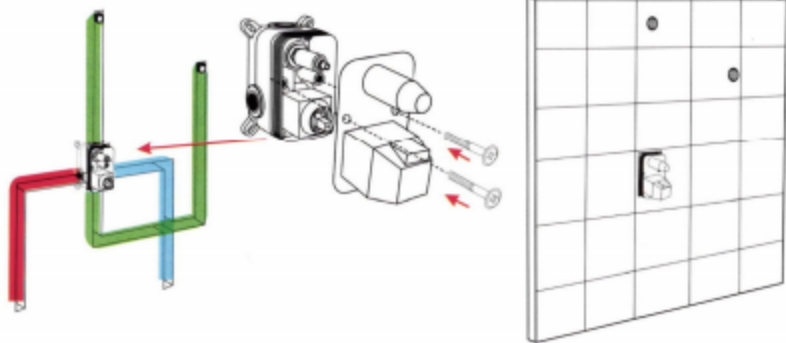


B: Ceiling Mounted Installation

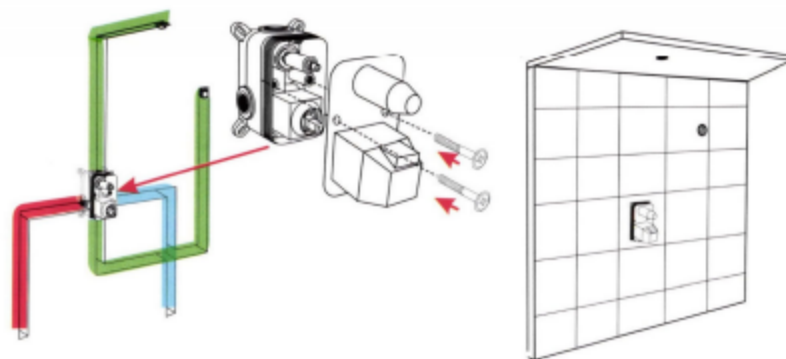


4. Tiles

A: Wall Mounted Installation



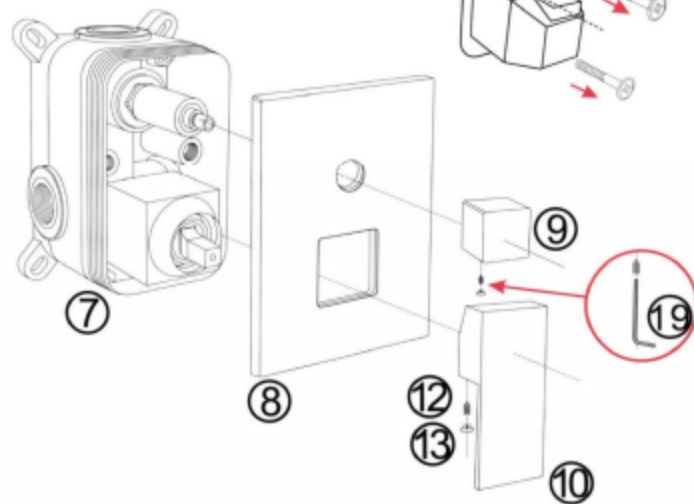
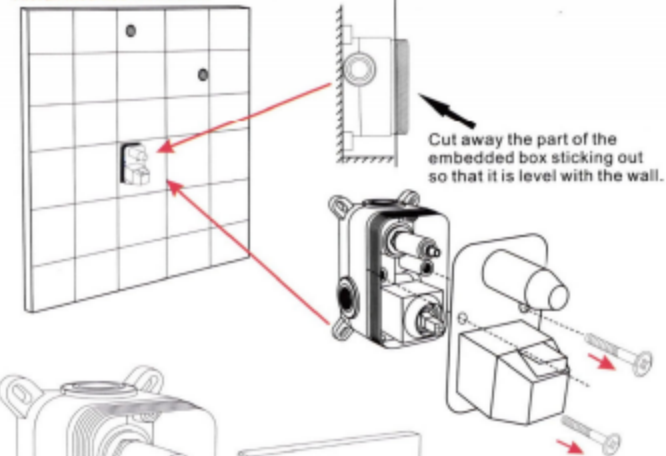
B: Ceiling Mounted Installation



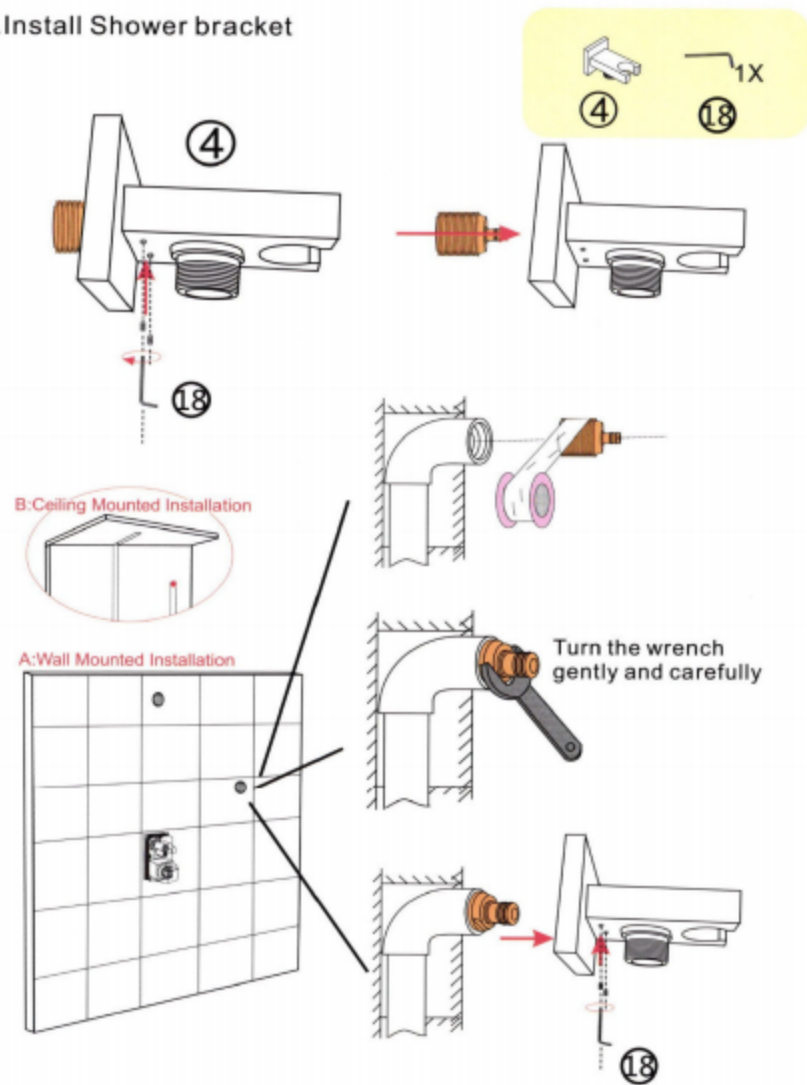
B: Ceiling Mounted Installation



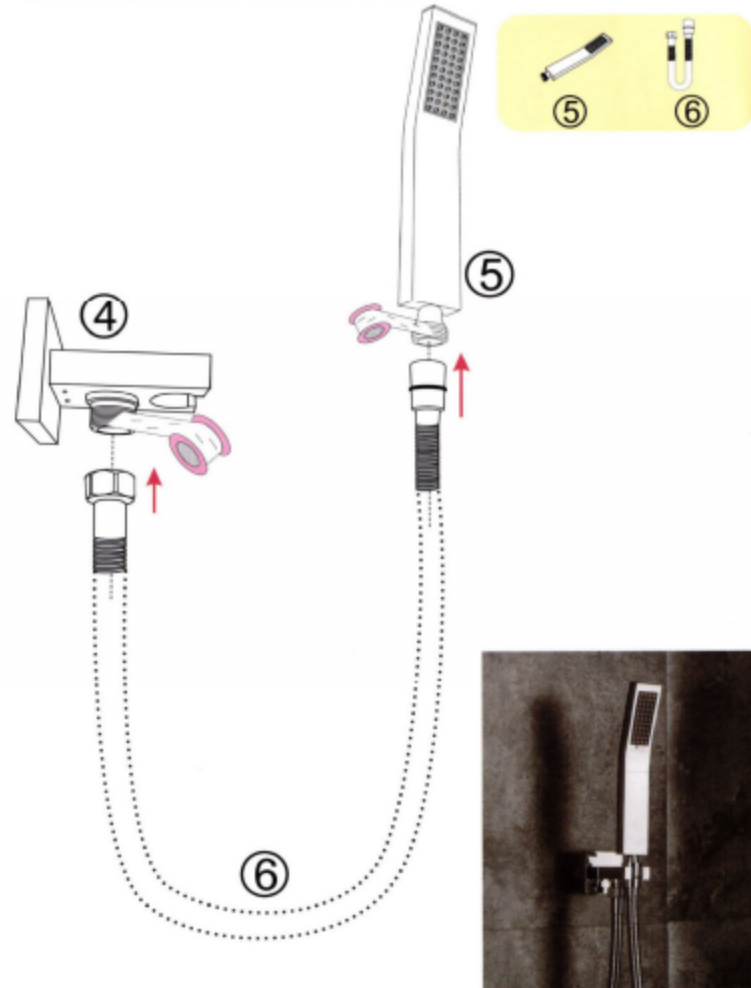
A: Wall Mounted Installation



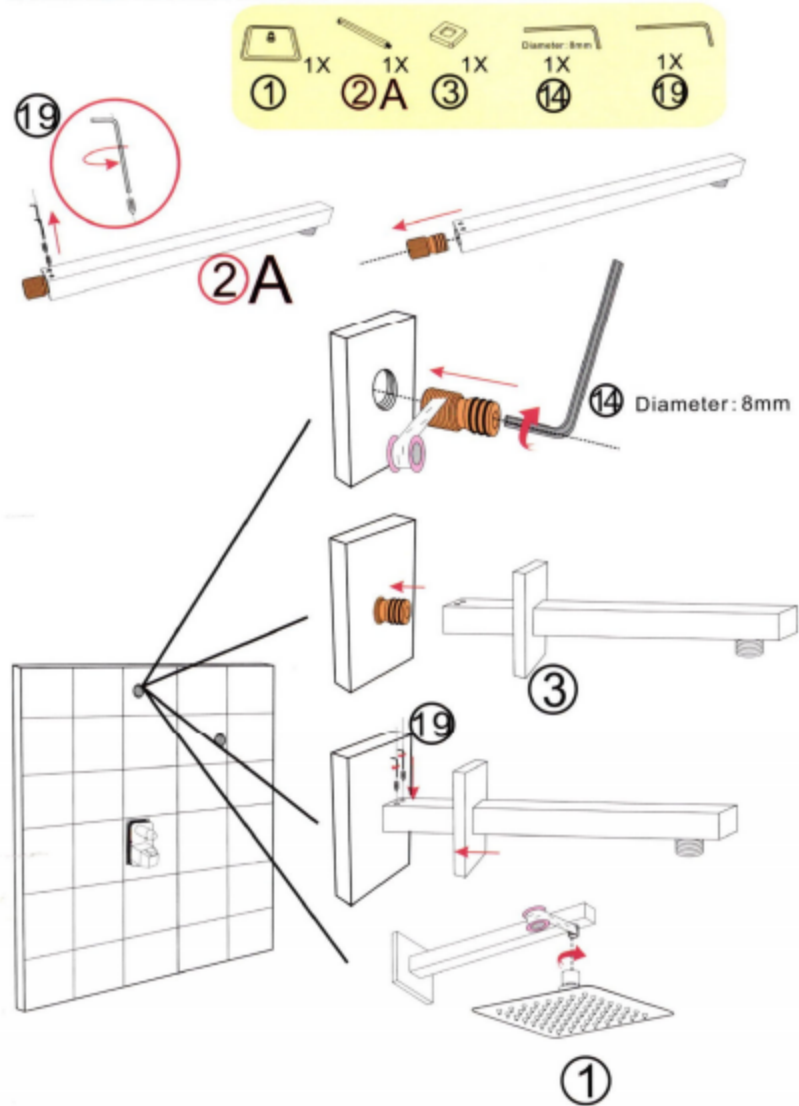
5. Install Shower bracket



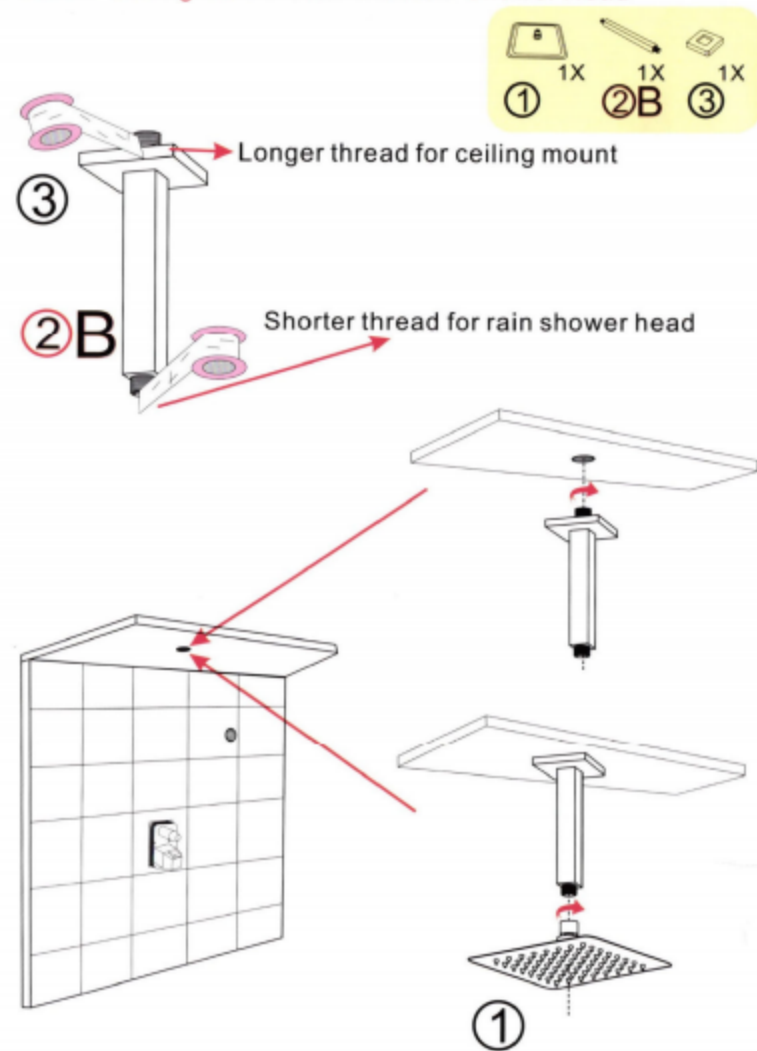
6. Install hand-held shower and hose



7A. Install Shower Arm and Rain Shower Head



7B. Install Ceiling Shower Arm and Rain Shower Head



Clean and maintain product

How to clean shower head nozzles

1. Just rub the nozzles with your finger or toothbrush to loosen any deposits, and then run hot water for a few minutes.
2. Put the showerhead into a pot. Consider using a smaller container that just about fits the showerhead; this way, you will use less vinegar. You can also use a small bucket or plastic bin.

Fill the pot with enough white vinegar to cover the showerhead. The acids in the vinegar will help dissolve the white mineral deposits on the showerhead.

Let the showerhead soak in the vinegar for 30 minutes. The more soiled the showerhead is, the longer you will have to leave it the vinegar.

Maintain Chrome and Brushed nickel finished product

1. To clean the products all you need is a high quality microfiber cloth.
2. Apply a high quality chrome cleaner to a clean cotton cloth, and wipe over the chrome. Leave as per product instructions, and then rinse with warm water. Gently remove any product residue using a dry chamois or paper towel.
3. How to Clean Chrome; Homemade Solutions. In addition to professional products, homespun solutions also have their place when breathing new life into dull chrome. Try this shortcut to achieving chrome cleaning nirvana:

Detergent and warm water! Submerge chrome-plated objects including pots and pans in a sink full of warm water. Add a half-cup of a high quality washing up detergent (Persil washing up liquid is good) and rub gently with a soft cotton cloth to avoid scratching the chrome. Use a scented detergent to leave kitchenware smelling fresh, as well as spotless.