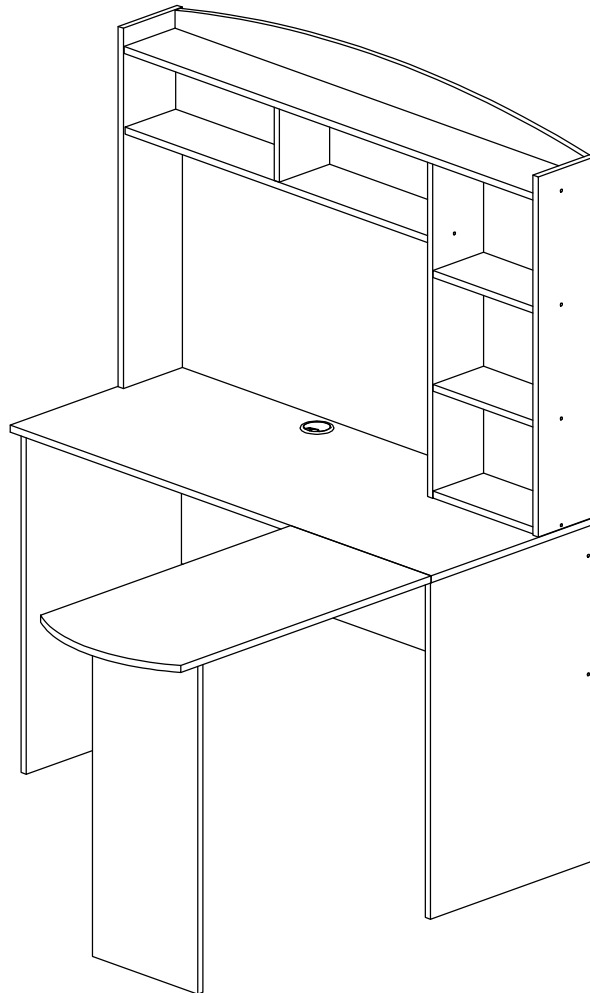
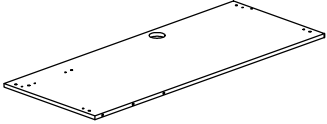
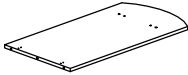
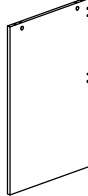
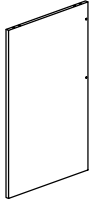
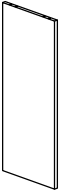
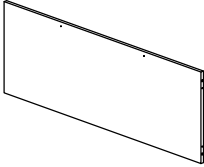
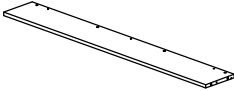
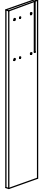


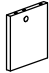

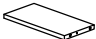


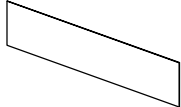



ASSEMBLY INSTRUCTIONS

**Thanks for purchasing one of our products.
Please read carefully the assembly instructions before the installation.
Do not discard this manual or any of the packaging material until the
unit has been completely assembled.**

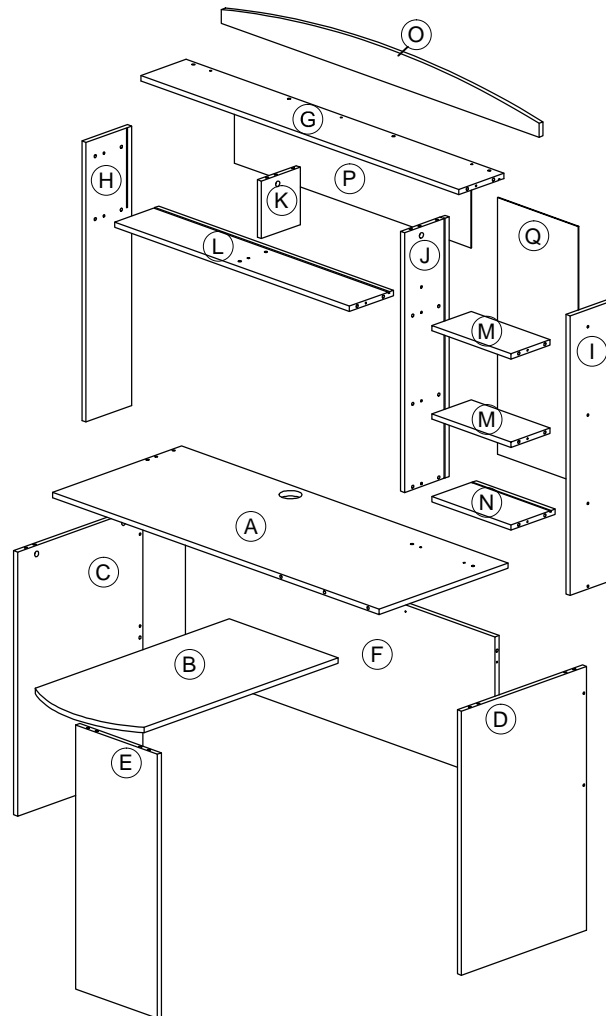


•PARTS LIST

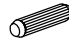






<p>A</p>  <p>▪ Main Tabletop</p>	<p>B</p>  <p>▪ Right Tabletop</p>	<p>C</p>  <p>▪ Bottom Left panel</p>	<p>D</p>  <p>▪ Bottom Right panel</p>
<p>E</p>  <p>- Front panel</p>	<p>F</p>  <p>▪ Bottom Back panel</p>	<p>G</p>  <p>- Top Horizontal panel</p>	<p>H</p>  <p>- Top left panel</p>
<p>I</p>  <p>▪ Top Right panel</p>	<p>J</p>  <p>▪ Top Middle panel</p>	<p>K</p>  <p>▪ Top Partition panel</p>	<p>L</p>  <p>▪ Top Left Shelf panel</p>
<p>M</p>  <p>▪ Top Right Shelf panel x2</p>	<p>N</p>  <p>▪ Right Base Shelf panel</p>	<p>O</p>  <p>▪ Top back panel</p>	<p>P</p>  <p>▪ Top Left Back panel</p>
<p>Q</p>  <p>▪ Top Right Back panel</p>			

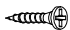




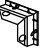
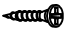
MAIN PARTS LAYOUT

(For reference):



HARDWARE

PART	QTY.	ITEM	
1	44Pcs	Wooden Pin	
2	11Sets	Cam Lock & Bolt Sets	
3	3Pcs	Screw - 4 x 25mm	
4	15Pcs	Screw - 5 x 38mm	
5	14Pcs	Screw Cap	
6	11Pcs	Cam Lock Cap	
7	2Pcs	Metal Plate EP5002	

8	18Pcs	Screw - 3.5 x 16mm	
9	4Pcs	L Bracket	
10	6Pcs	Nail-in studs	
11	3Pcs	Wooden Pin	
12	1Pc	Ø60mm Cable Management (Grommet)	
13	2Pcs	Z Bracket	
14	4Pcs	Screw - 3 x 16mm	

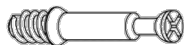
BEFORE YOU START THE ASSEMBLY, PLEASE READ THE FOLLOWING TIPS AND WARNINGS.

- Do a quick inventory to make sure the product contains all the parts and hardware.
- Missing, damaged and defective parts can be replaced at no cost to you. Please refer to the CONTACT card included with the product.
- The replacement parts service is limited to the continental United States. If you reside in Hawaii, Puerto Rico, U.S. Dependencies or other countries, please contact the supplier from where the unit was purchased.
- If during assembly you find an issue or need clarification, please contact our Customer Service for assistance. Please refer to the CONTACT card included with the product.
- On each step read the instructions and analyze the illustrations thoroughly before proceeding to do the assembly.
- Make sure you understand which hardware will be used on each step. Using the wrong size of screw, bolt or pin might strip the threads or cause damage to the part in which it is being used.
- To avoid misalignments, always leave the screws loose and tighten them until all pieces are positioned correctly.
- Do not overtighten or force the screws as they might break, strip, damage the threads of the holes or get stuck inside the part.
- Sometimes the laminate might cover partially or entirely the hole on a panel, but the hole should still be located under the laminate.
- If there is no visible hole for the screw, pass and press the tip of your finger over the area where the hole should be located to feel the indentation, and once found, carefully pierce the laminate to reveal the hole underneath.
- If the hole seems too small for the screw, first make sure you are using the correct size of screw and that it's been installed in the correct hole. If the hole still appears to be too small, carefully pierce the laminate to reveal the hole's actual size.

☛ This unit uses cam bolts and locks. The following explains how to use them.

This is not an assembly step; it is a guide for when you are actually doing the assembly using this kind of hardware.

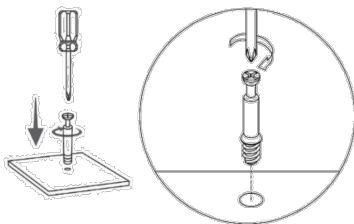
Cam Bolt



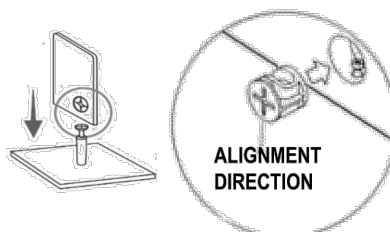
Cam Lock



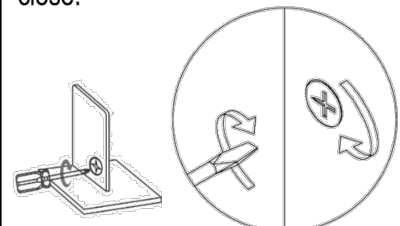
1. Screw the bolt into the corresponding panel.

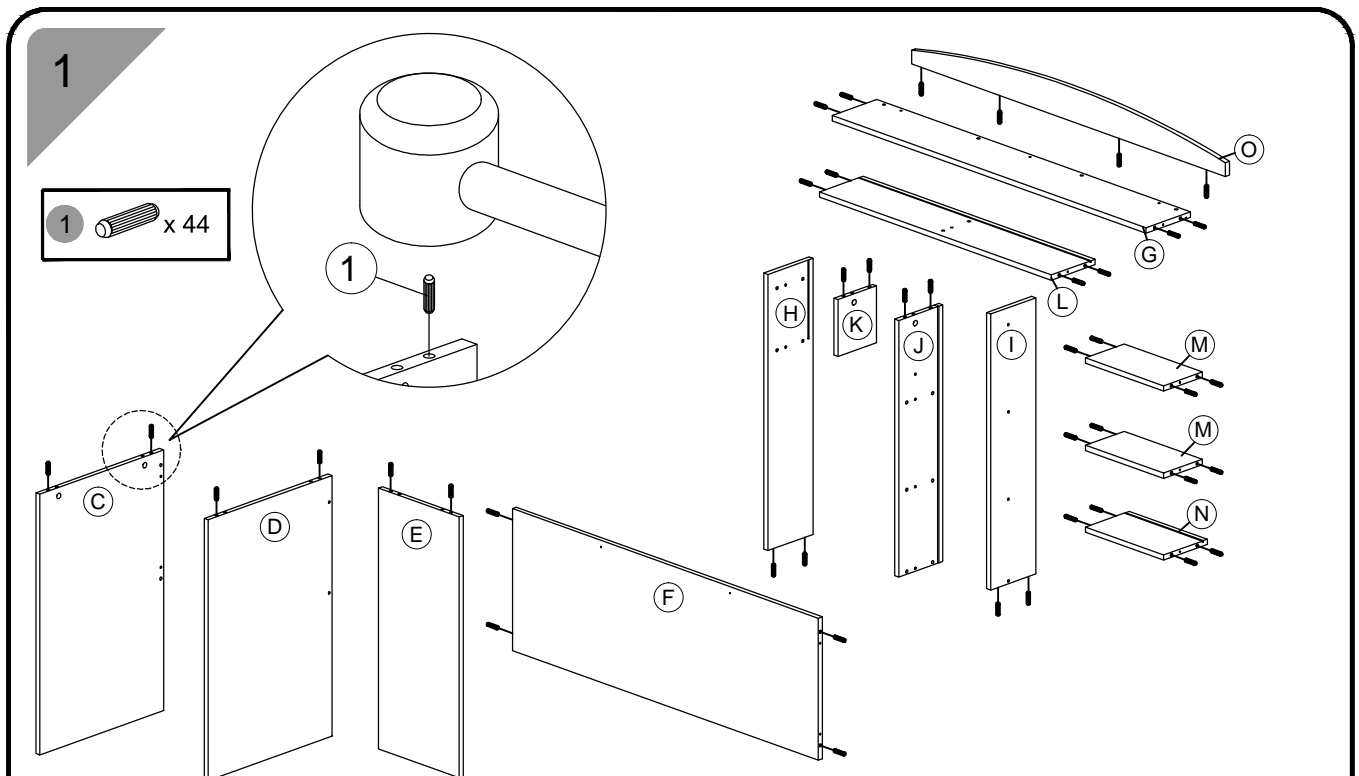


2. In the other panel, insert the cam lock and align it so it can properly receive the bolt, then join both panels.

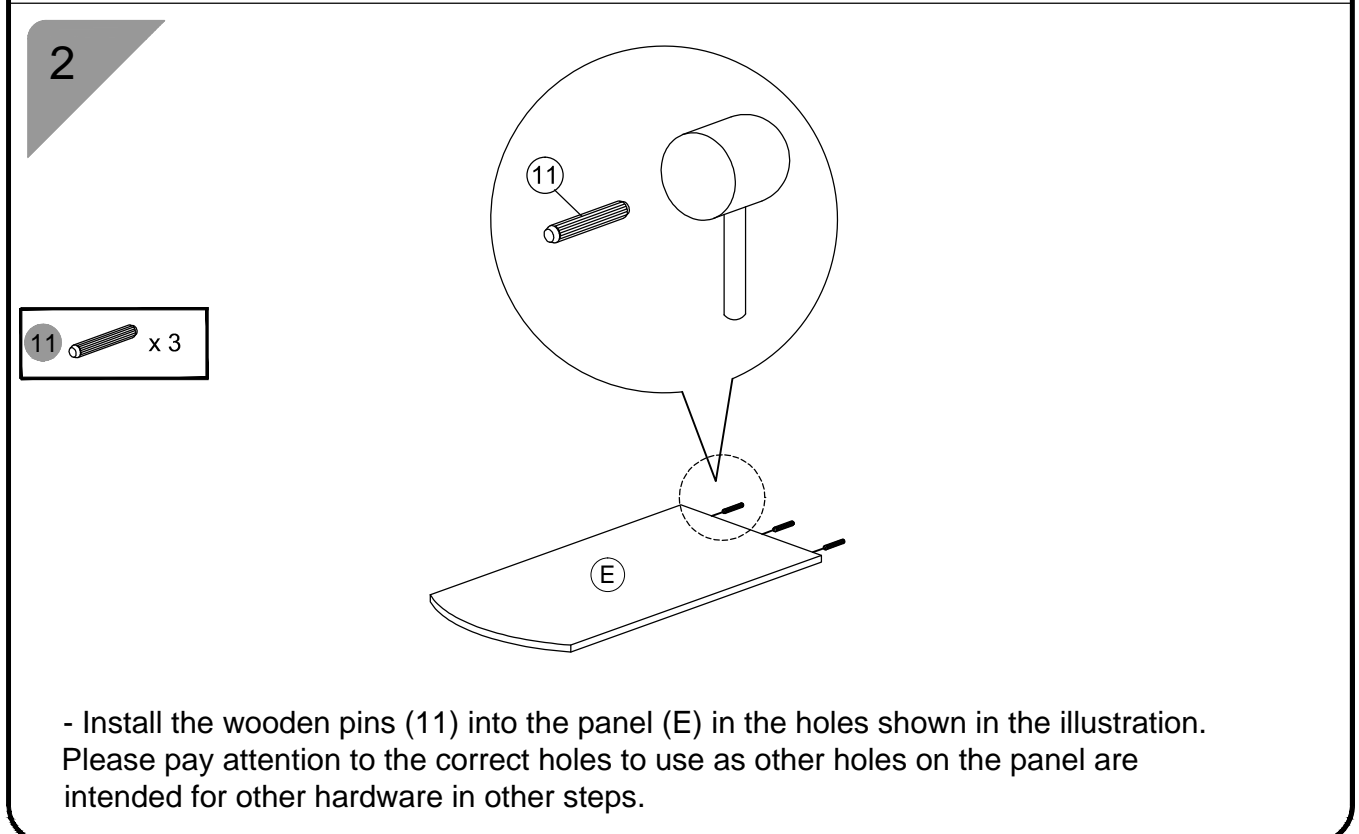


3. The panels might have a very small gap which is normal; turn the cam lock clockwise to lock the parts together and the gap will also close.



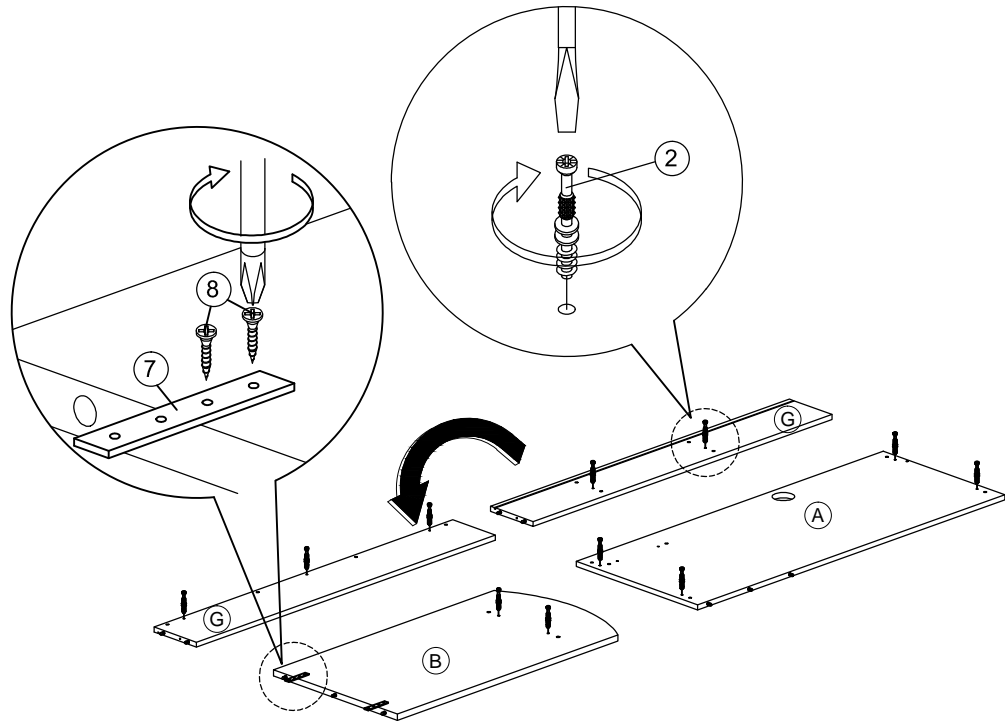
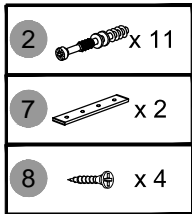


- Install the wooden pins (1) into the panels (C), (D), (E), (F), (G), (H), (I), (J), (K), (L), (M), (N) and (O) in the holes shown in the illustrations. Please pay attention to the correct holes to use as other holes on the panels are intended for other hardware in other steps. **DO NOT JOIN ANY PANELS, JUST INSTALL THE PINS.**



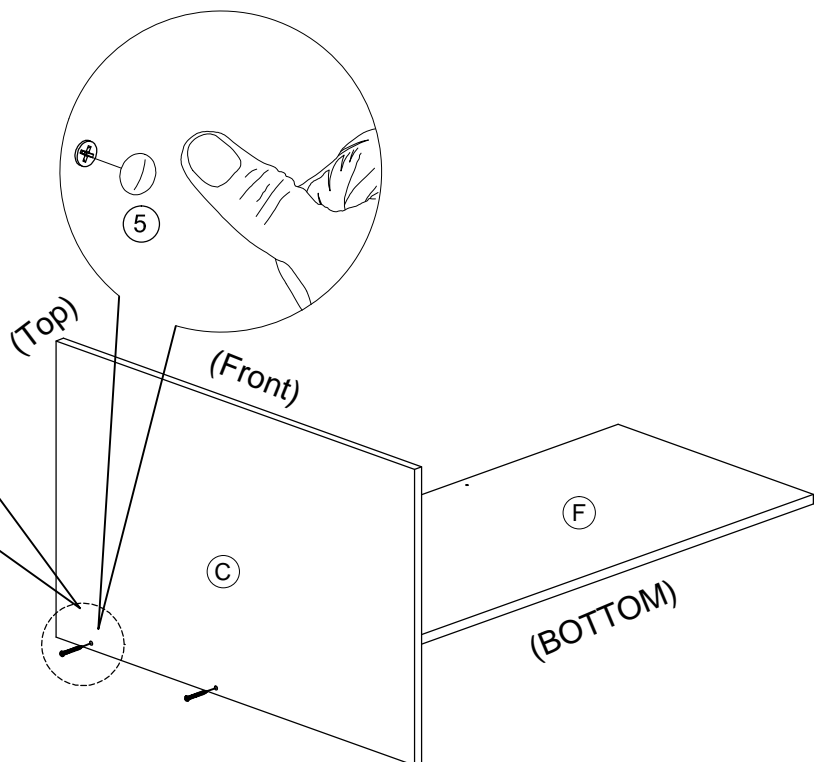
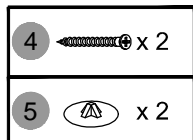
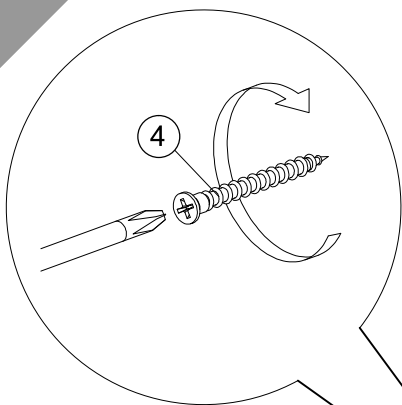
- Install the wooden pins (11) into the panel (E) in the holes shown in the illustration. Please pay attention to the correct holes to use as other holes on the panel are intended for other hardware in other steps.

3






First install bolts (2) into the panels (A), (B) and (G) in the holes indicated in the illustration, please note that on (G) the bolts are installed on both sides of the panel. Then install the metal plate (7) on the panel (B) using screws (8) as shown.

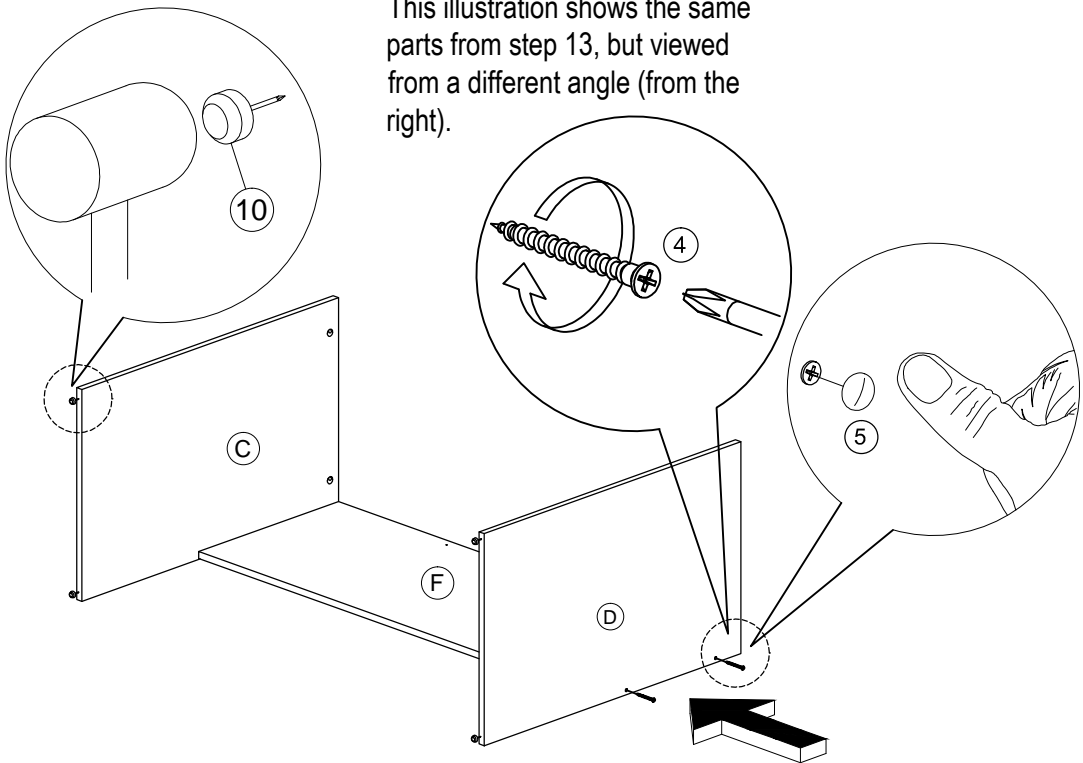
4



- Assemble the panel (C) to panel (F) using screws (4) and cover the screw heads with (5) as shown.

5





- 4  x 2
- 5  x 2
- 10  x 4

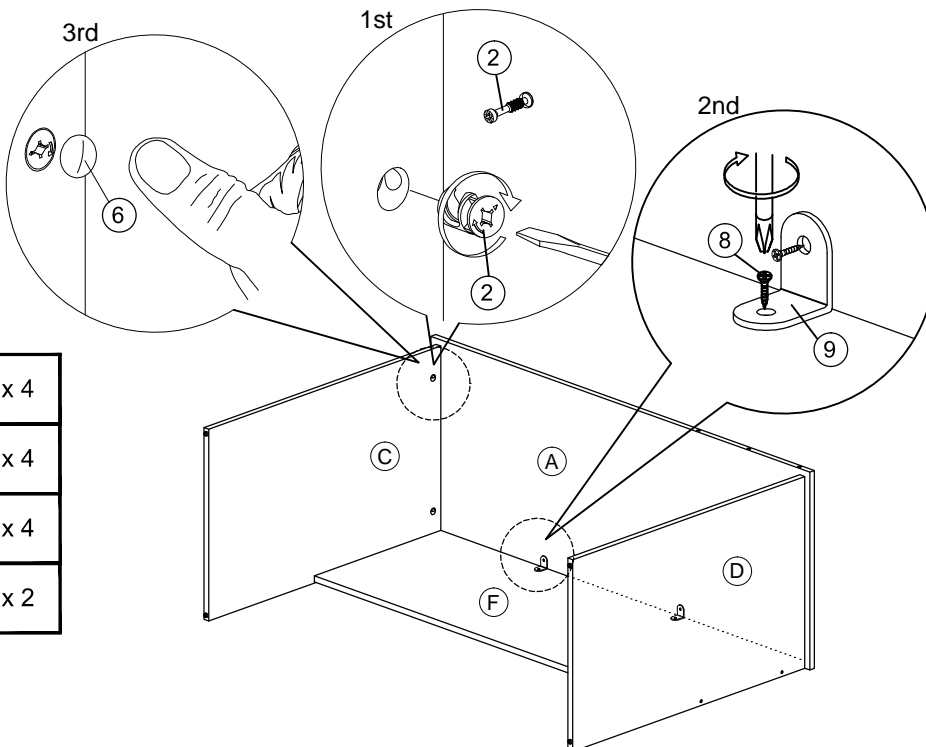


This illustration shows the same parts from step 13, but viewed from a different angle (from the right).

- Assemble the panel (D) to panel (F) using screws (4) and then cover the screw heads with (5) as shown, then install the nail-in studs (10) to the bottom of the panels (C) and (D) as shown.

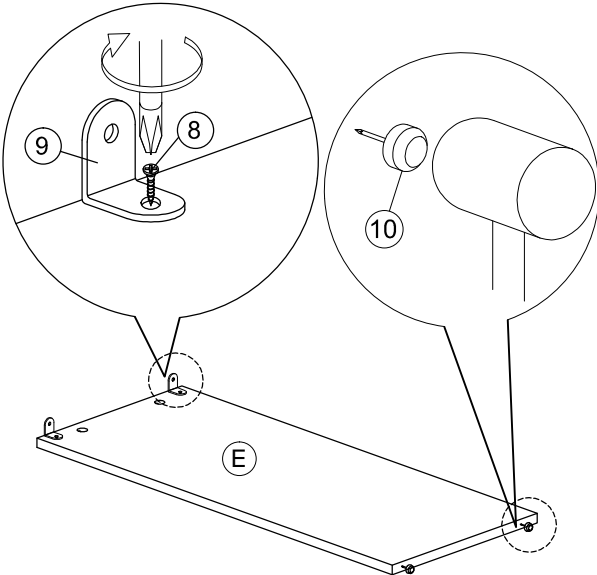
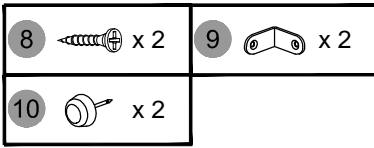
6

- 2  x 4
- 6  x 4
- 8  x 4
- 9  x 2



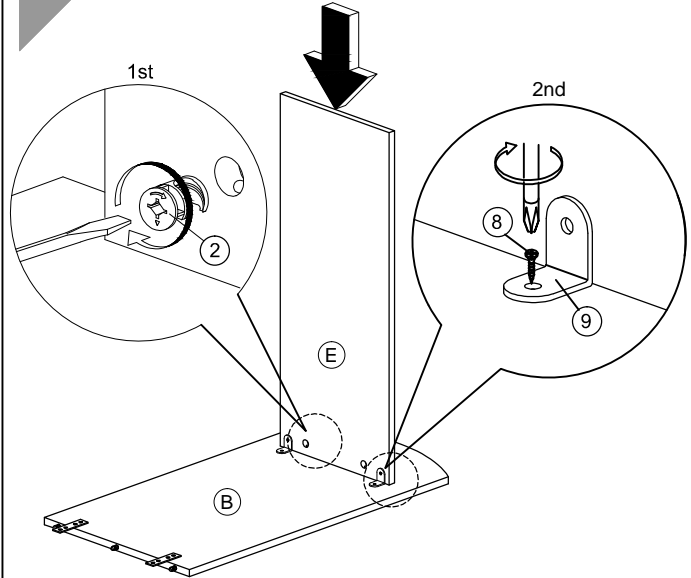
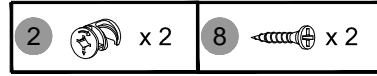
- First install the cam locks (2) into panels (C) and (D), and assemble the panel (A) as shown and explained in page 4. Then using screws (8) install the L Brackets (9) to secure the panels (A) and (F). Finally, cover the cam locks with (6).

7



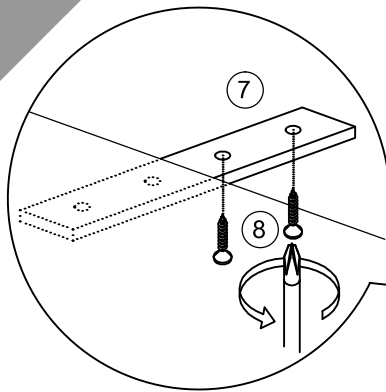
- Attach 2pcs L Bracket (9) to Panel (E) with screw (8) as shown above, then install the nail-in studs (10) as shown above.

8

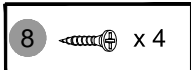
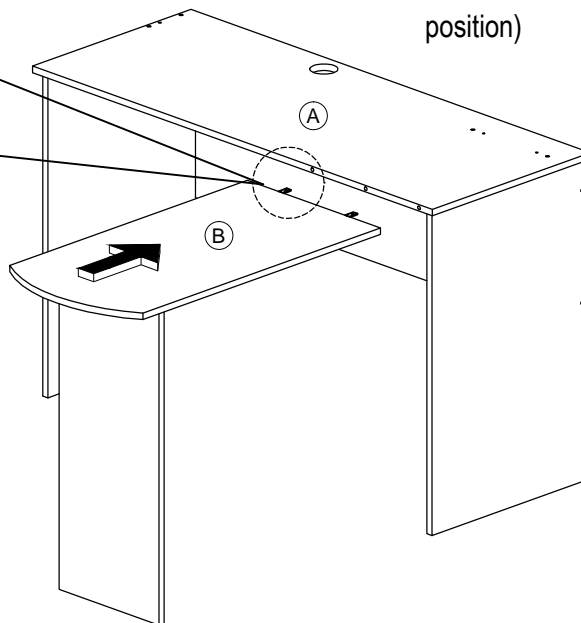


- First insert and align the cam locks (2) into panel (E), and assemble to panel (B) as shown and as explained in page 4. Then secure the L Brackets (9) to panel (B) using screws (8) as shown.

9

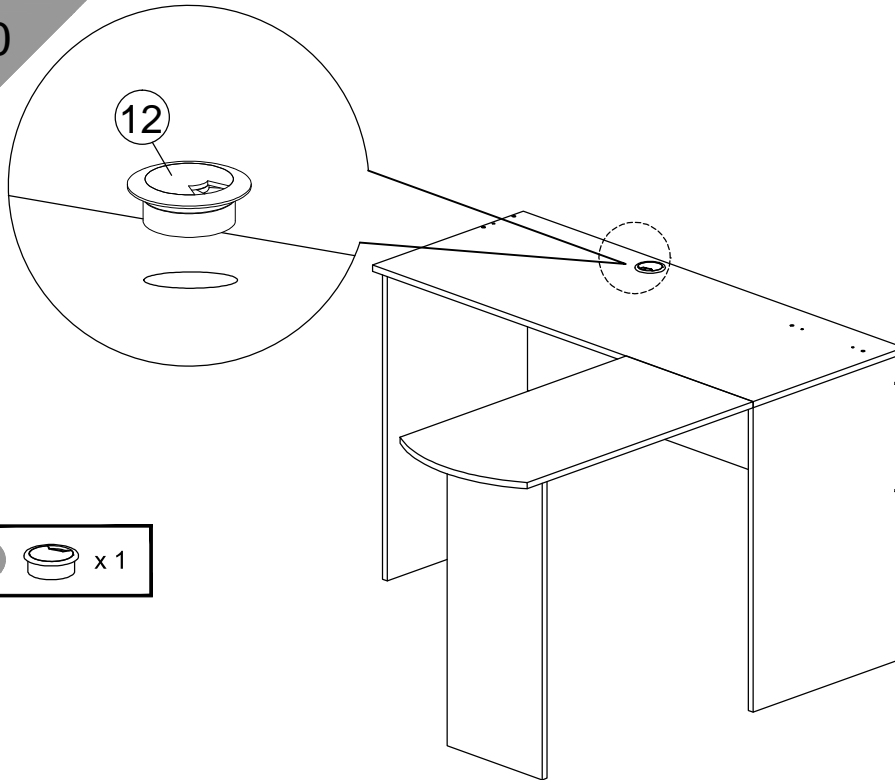


(This illustration shows the same parts from steps 6 and 8, but viewed in normal upright position)



- Using screws (8), and from underneath the unit, attach the metal plate (7) from panel (B) to the panel (A) as shown. Note that the right edge of panel (B) will align with the edge of panel (A).



10

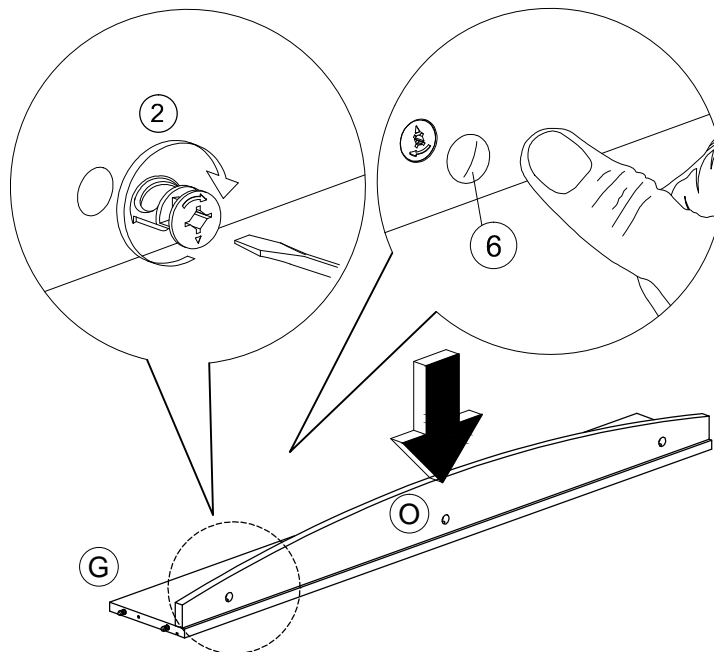


12 x 1

- Install the Grommet (12) as shown.

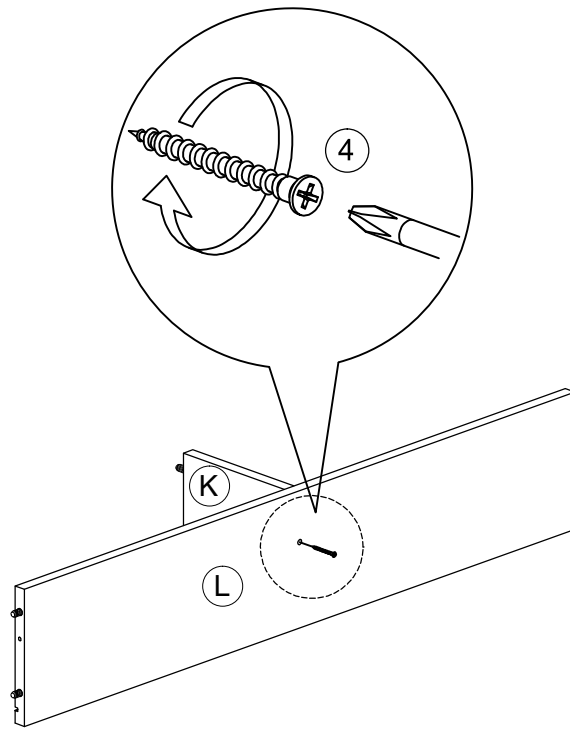
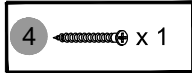
11

2	 x 3
6	 x 3



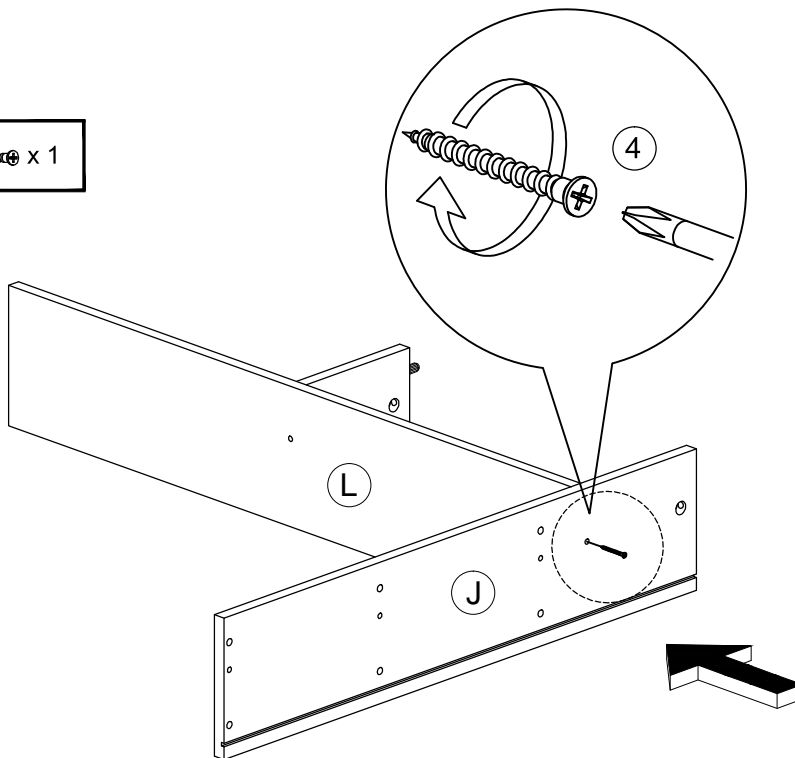
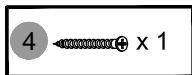
- First install the cam locks (2) in to panel (O) and assemble it to panel (G) as shown and as explained in page 4. Please note that the cam locks go facing towards the outside of the panel. Then cover the cam locks with (6).

12



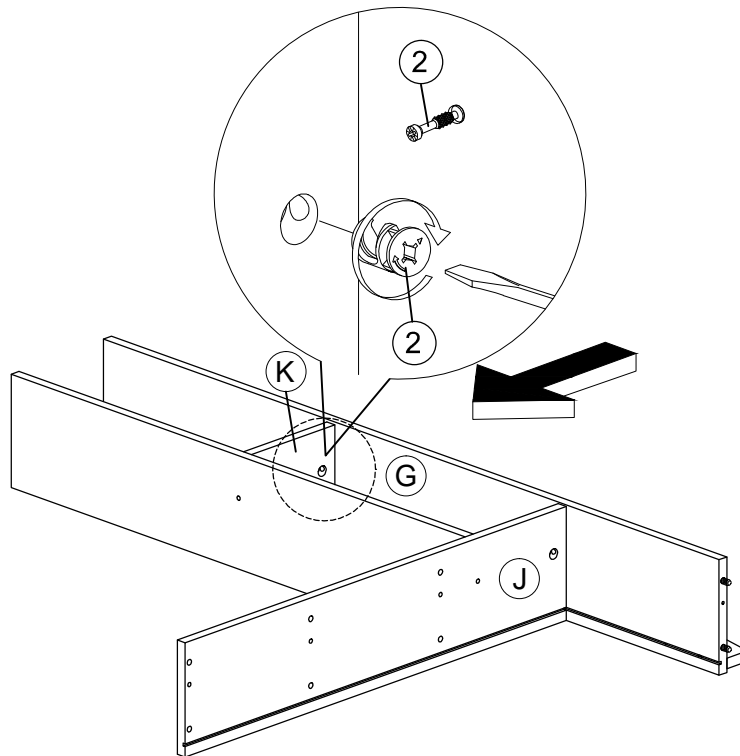
- Assemble the panels (K) and (L) using screw (4) as shown.

13



- Assemble the panel (J) to panel (L) using screw (4) as shown.

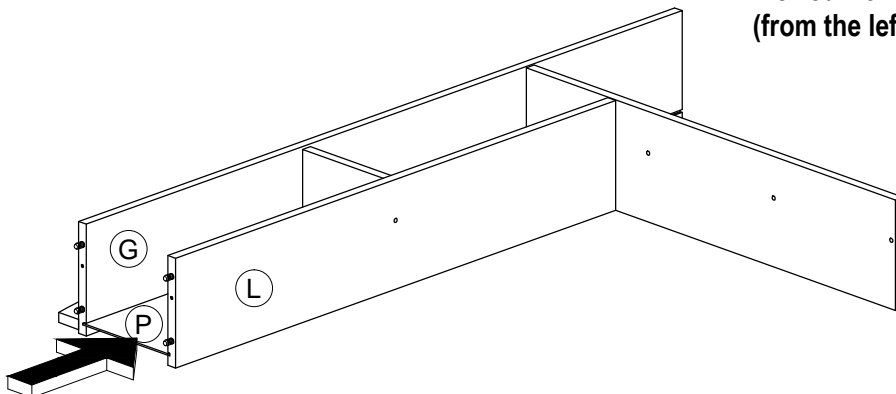
14



- First install and align the cam locks (2) into panels (K) and (J) and then assemble the panel (G) as shown and as explained in page 4.

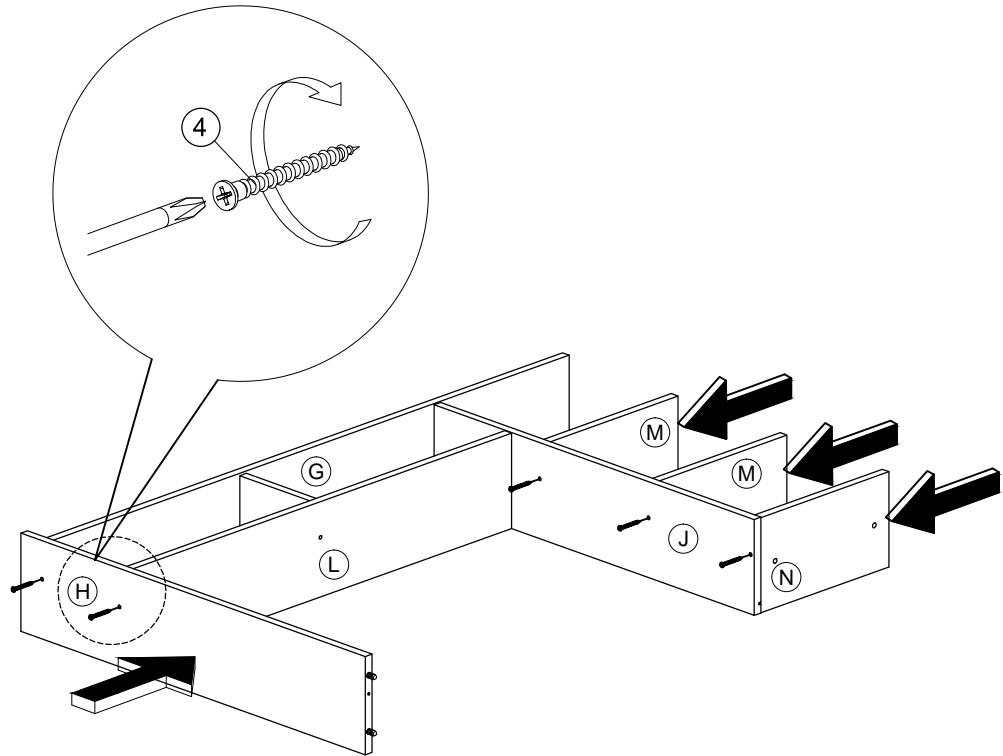
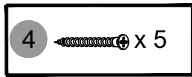
15

This illustration shows the same parts from step 14, but viewed from a different angle (from the left).



- Slide the panel (P) into the grooves of panels (G) and (L) as shown.

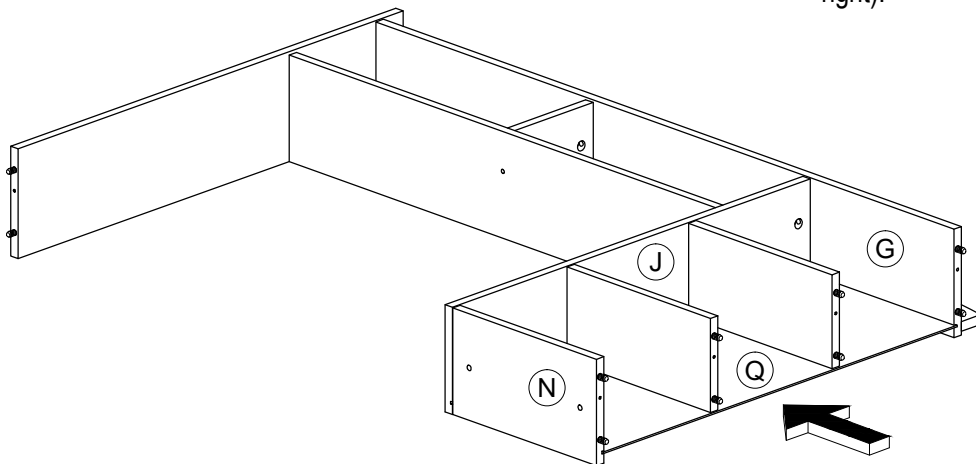
16



- Using screws (4), assemble the panel (H) to panels (G) and (L), the panels (M) to the panel (J) in the middle, and the panel (N) to (J) on the right as shown.

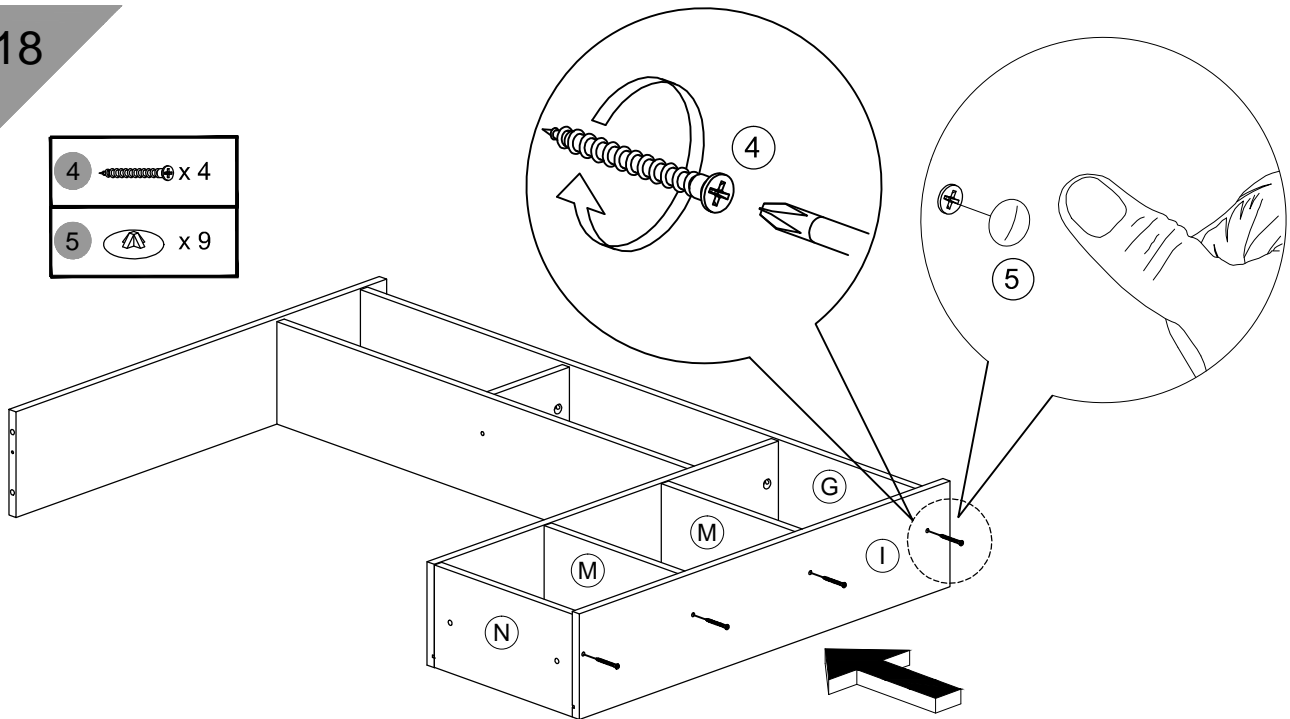
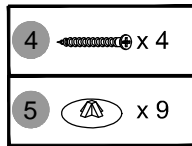
17

This illustration shows the same parts from step 16, but viewed from a different angle (from the right).



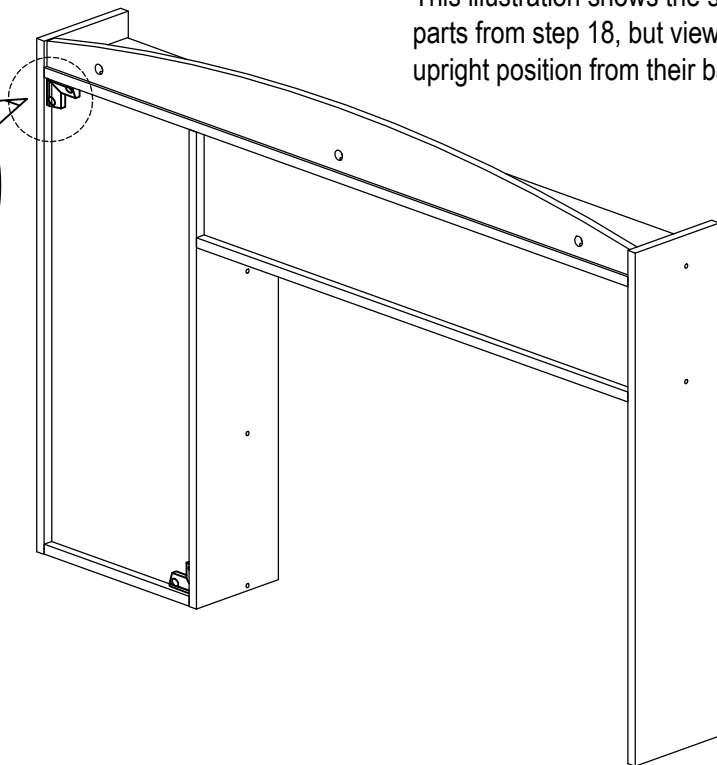
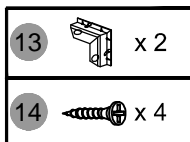
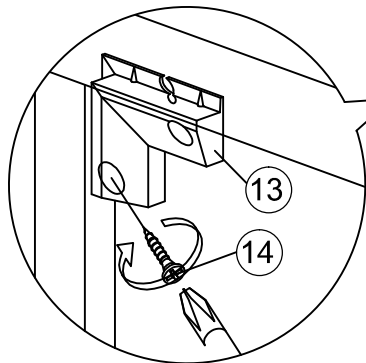
- Slide the panel (Q) into the grooves of panels (G), (J) and (N) as shown.

18



- Assemble the panel (I) to the panels (N), (M) and (G) using screws (4), and then cover the screw heads with (5).

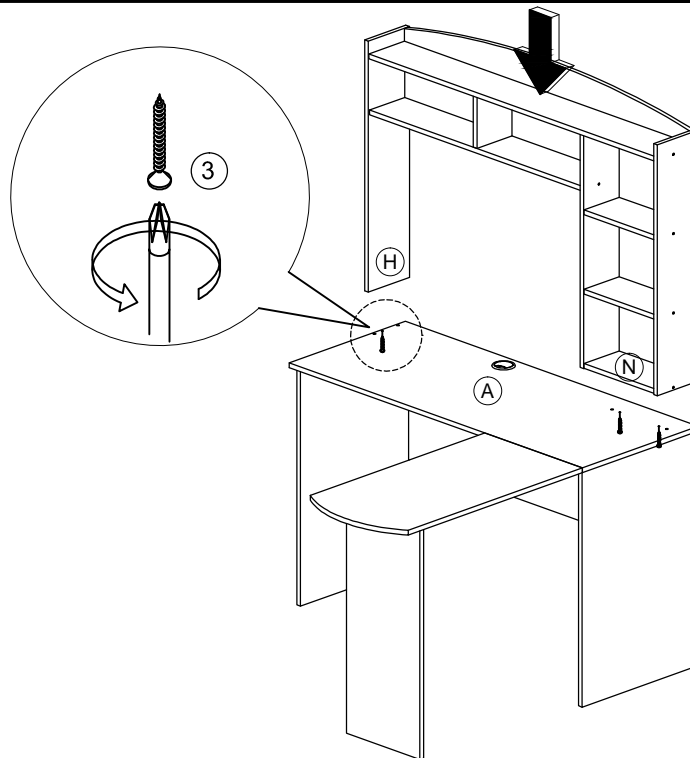
19



This illustration shows the same parts from step 18, but viewed in upright position from their back.

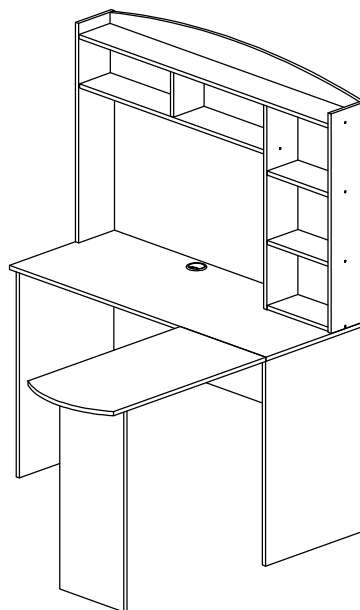
- Attach the Z bracket (13) to the upper left and lower right corner of the back panel (N) using screws (14) as shown.

20

3  x 3

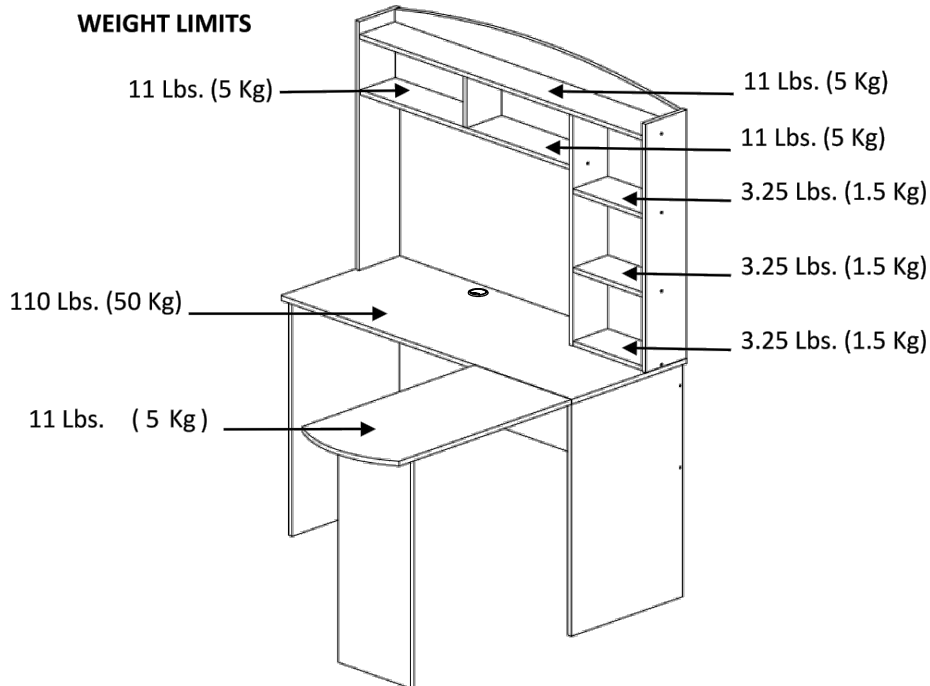
- First, and preferable with the help of another person, place the parts assembled in step 12 over the panel (A), then using screws (3), and from underneath the panel (A), secure the panels (H) and (N) to panel (A) as shown.

DONE! Before you start using the unit, make sure that all the screws, bolts, cam locks, etc. are properly tightened, and read all the warnings in the next page.



Enjoy your new unit!

**AFTER THE ASSEMBLY IS DONE, PLEASE READ CAREFULLY THE FOLLOWING
CARE AND MAINTENANCE WARNINGS:**



- Do not exceed the indicated weight limits.
- Do not expose the surfaces to direct sunlight or to extreme environmental conditions.
- Clean the surfaces preferable with a clean cloth damped in a solution of mild soap and water, then dry with a clean towel.
- Do not use solvents or abrasive materials to clean the unit.
- If you decide to use a cleaning agent, test first on an area hidden from view such as underneath the tabletop.
- Do not seat on the unit or lean against it.
- Do not allow small children to play under the unit, or climb over the tops.
- Do not allow small children to reach into the shelves of the hutch without your supervision, as objects at that height might fall and injure the children.
- The unit must be handled by at least 2 persons when moving in the same or adjacent rooms.
- Before moving the unit, make sure to remove any object that is heavy or might fall off, and be careful handling the extended top (panels B and E) to avoid part damage/separation.
- When lifting the unit, use both hands and bend your knees, not your backs.
- When transporting the unit to places far away, protect and secure the unit to avoid damage in transit. It is recommended to remove the extended top (panels B and E) to avoid damage in transit.
- Shall any part of the unit become defective during the warranty period, replacement parts might be available to you at no charge. Please refer to the WARRANTY card included with the product.
- The warranty does not extend to regular wear and tear, nor the manufacturer assumes liability for damages or consequences due to accidents, incorrect assembly, negligence, improper use, modifications, or not heeding the above warnings.