

BRIZO®

MULTI-FUNCTION OVERHEAD RAINCAN SHOWER HEAD

- Kintsu® Bath Collection
- 3-Function Raincan Shower Head

FEATURES:

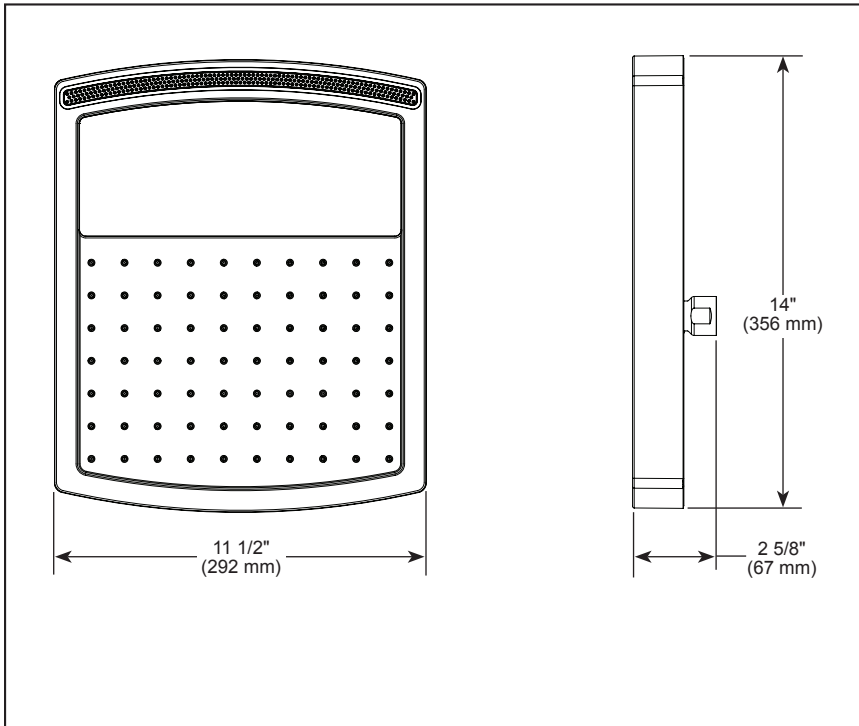
- Touch-Clean® Spray Holes

STANDARD SPECIFICATIONS:

- Max. flow rate 2.5 gpm @ 80 psi, 9.5 L/min @ 550 kPa (81406-▲-2.5)
- Max. flow rate 1.75 gpm @ 80 psi, 6.6 L/min @ 550 kPa (81406-▲)
- Shower head requires specific shower arm 83992-06MF or 83992-10MF for mounting
- Wrench flats for tightening
- Shower head ball nut pivots and rotates for leveling
- Requires R83992 to be plumbed to a separate diverter or volume controls for spray selection
- Finished spray face matches shell finish
- Spray patterns: Full Spray, Canopy Spray, and Full Spray w/Canopy.

WARRANTY

- Parts and Finish – Lifetime limited warranty; or for commercial purchasers, 10 years for multi-family residential (apartments and condominiums) and 5 years for all other commercial uses, in each case from the date the product is received by the original purchaser or their authorized representative (installation contractor, etc.).
- Please go to www.brizo.com for the complete details of our limited warranty.



▲ Designate proper finish suffix



COMPLIES WITH:

- ASME A112.18.1 / CSA B125.1
- EPA WaterSense® - Applies to 81406-▲ only