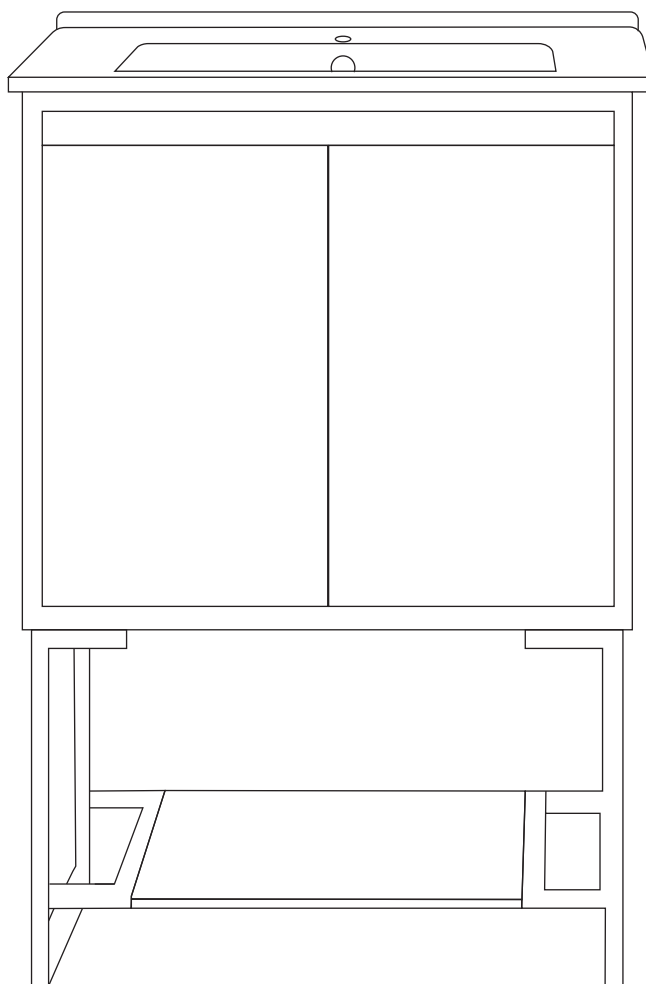


INSTALLATION INSTRUCTIONS

Swiss Madison[®]
well made forever

Marseille Bathroom Vanity



Share your pictures for a feature
using **#SwissMadison**





Prior to Installation:

- Inspect vanity to ensure no damages have occurred during shipping.
- Observe all plumbing and building codes in accordance with your state and local requirements.
- Additional floor and wall preparations may be necessary to avoid damage to the product.
- Height of console frame is NOT adjustable.
- All dimensions are nominal! Be sure to measure your vanity prior to installation.

General Recommendations: Read installation and maintenance instructions thoroughly before installing.
Be sure to use proper tools and always wear proper personal safety accessories for your protection.

If you have any questions or concerns please contact us:

1-434-623-4766
info@swissmadison.com

Thank you for your purchase!

Thank you for purchasing a Swiss Madison Vanity.

We appreciate your business and know you will enjoy your product for many years to come.

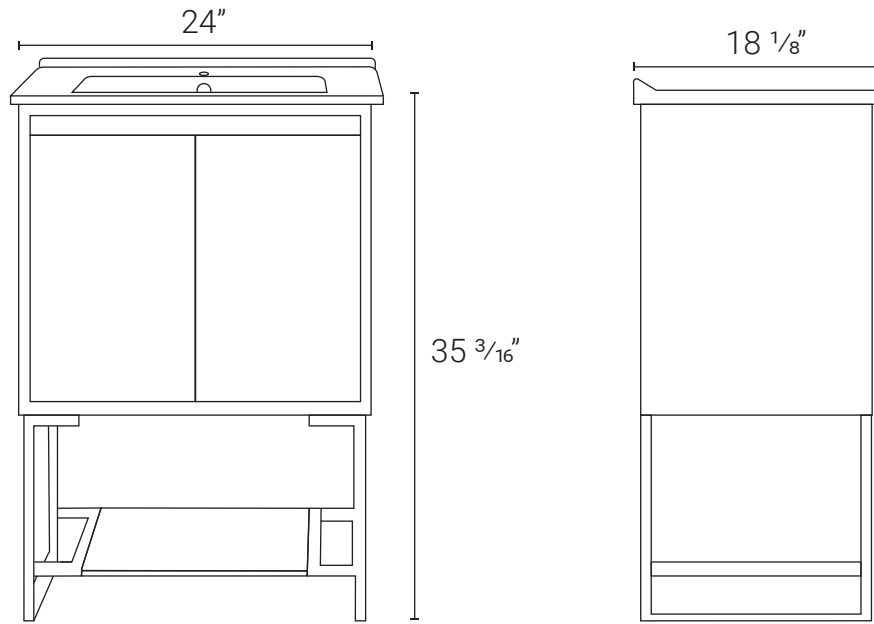
If you have any questions or require assistance we would be happy to help,
please contact us at 1-434-6234766 or info@swissmadison.com.

To learn more about our products, please visit:

www.swissmadison.com

Sincerely,

The Swiss Madison Team

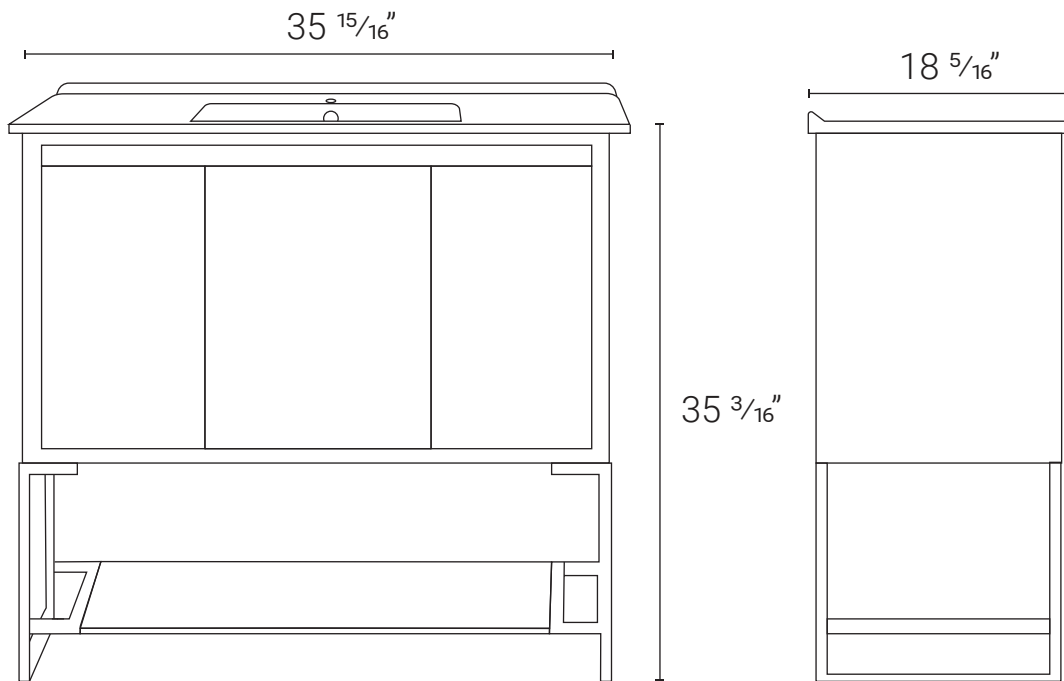


Marseille 24"

24" x 18 1/8" x 35 3/16"

*Matching Drain: SM-PD23

SM-BV142 - Oak

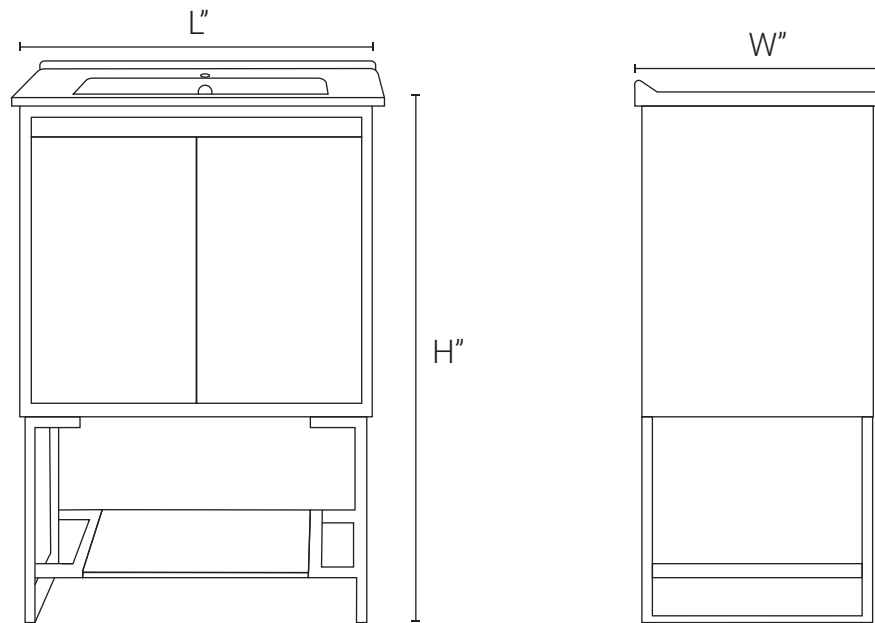


Marseille 36"

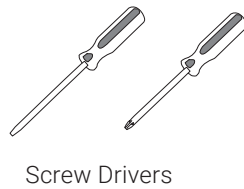
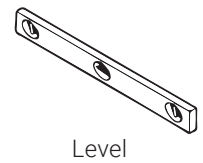
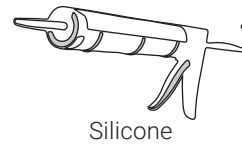
35 15/16" x 18 5/16" x 35 3/16"

*Matching Drain: SM-PD23

SM-BV143 - Oak



SUGGESTED TOOLS AND MATERIALS



PARTS LIST

- Swiss Madison Sink
- Console Components
- Faucet (not included)
- Drain (not included)

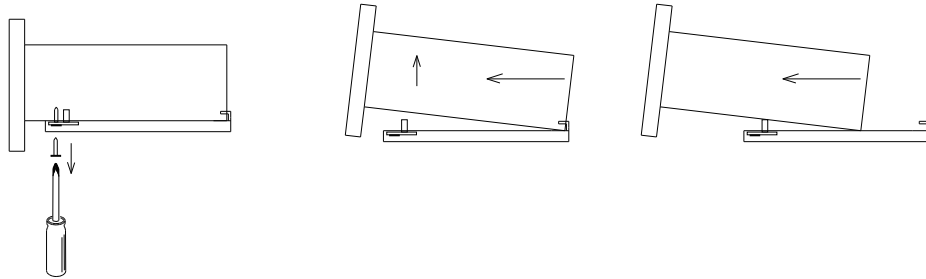
NOTE: Specialized tools may be necessary to install Swiss Madison Vanity.

The step-by-step guidelines in the installation instructions are a general reference for installing a Swiss Madison Vanity.
Should there be any discrepancies, Swiss Madison cannot be held liable.
It is recommended to install all Swiss Madison products by hiring a licensed professional

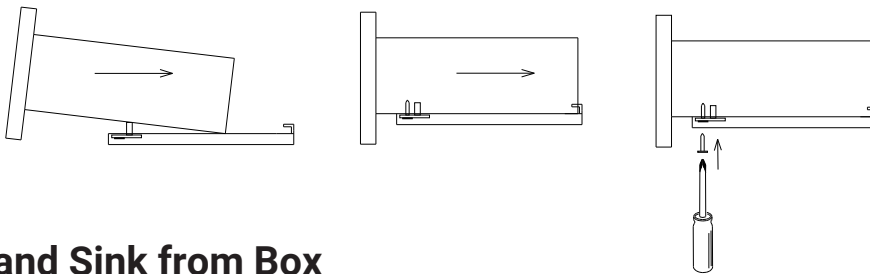
- ① 1. Read the complete instruction manual before beginning installation.
- 2. Confirm that your model will fit in intended location and plumbing fixtures are located where legally required before beginning installation.
- 3. Not all drawings on this manual are drawn to scale. Please refer to the model chart.
- 4. Two people are recommended to install and move this product.
- 5. Floor must be level PRIOR to installation.

Drawer Removal (if applicable)

1. Remove

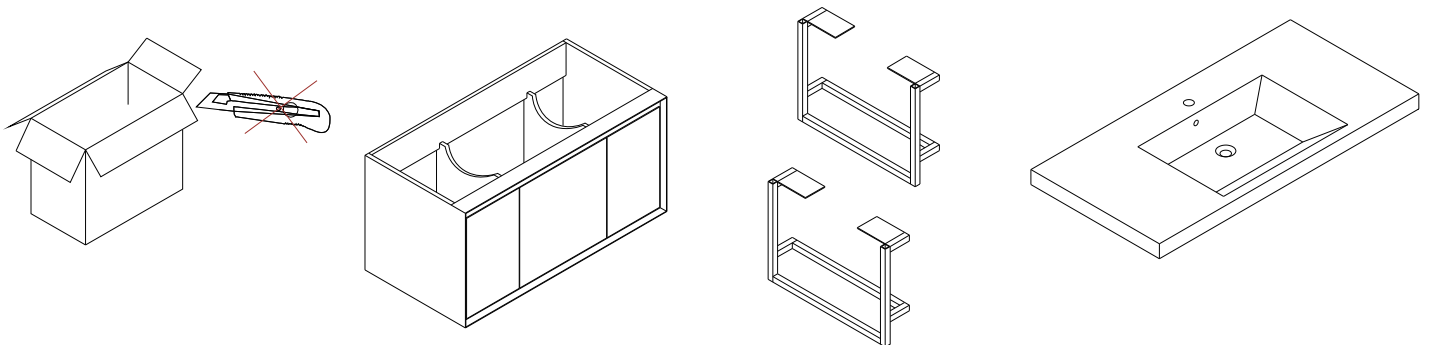


2. Install



1. Remove Vanity and Sink from Box

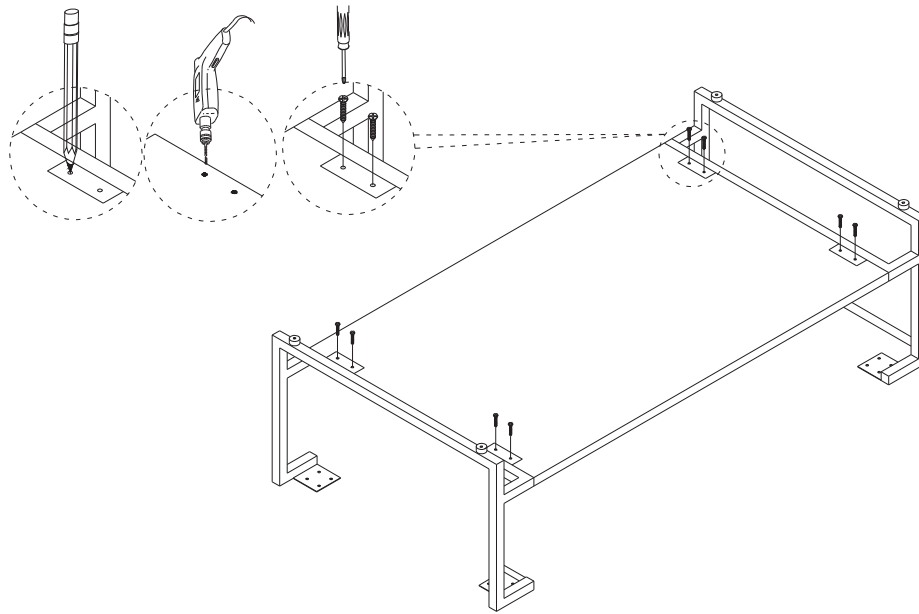
- Carefully remove vanity and sink from box.
DO NOT use a box cutter to open box to avoid damaging the finish.



NOTE: Drawings may not exactly define contour of china.

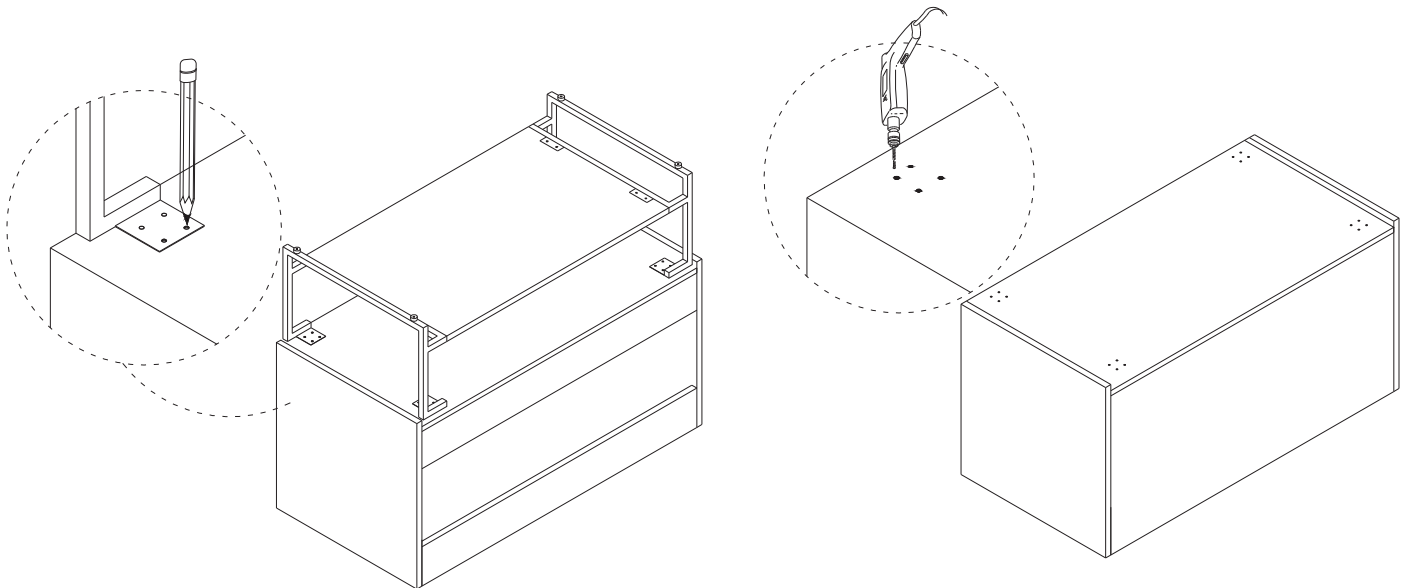
2. Connect Base

- Connect base and legs using screws and hardware shown below.



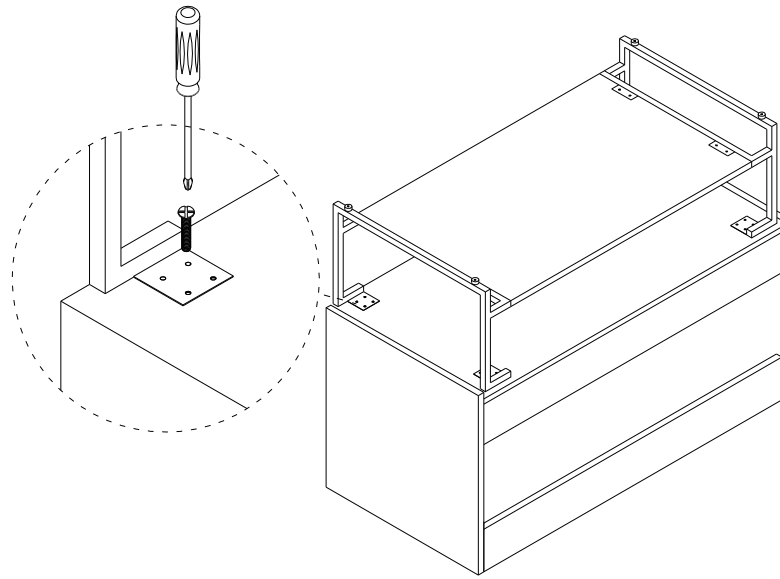
3. Mark Holes

- Place base onto vanity and mark holes with a pencil.
- Remove base and pre-drill on marked holes.



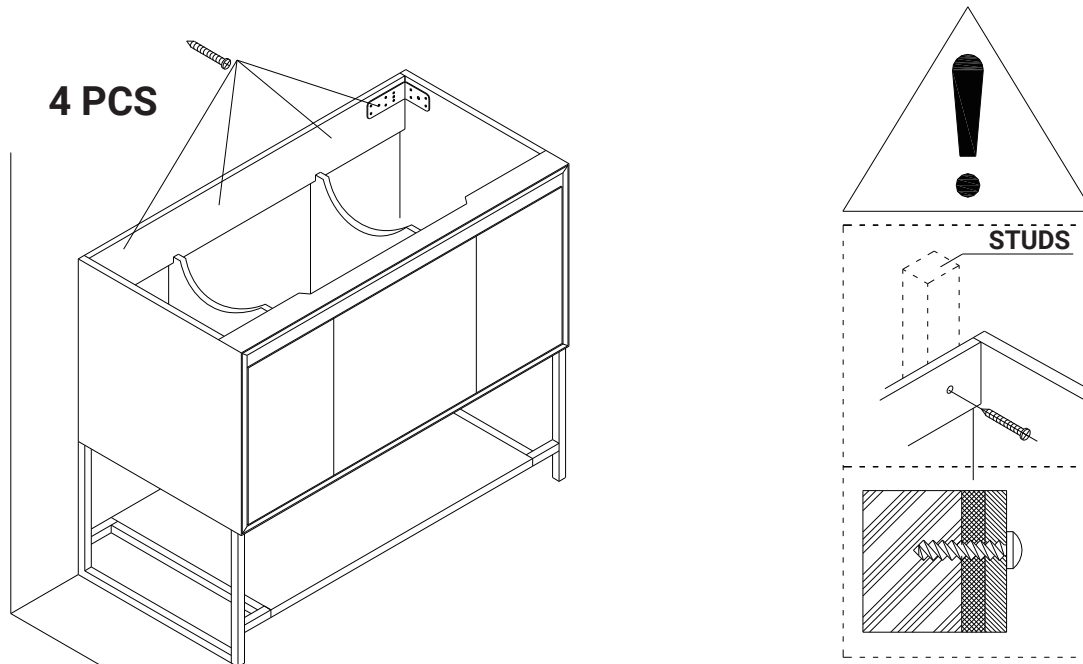
4. Attach Base

- Attach base to vanity with screws using pre-drilled holes.



5. Secure Vanity to Wall

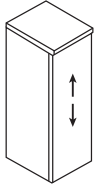
- Carefully secure your vanity to your wall for added stability.
- NOTE:** Two people are required for this step.



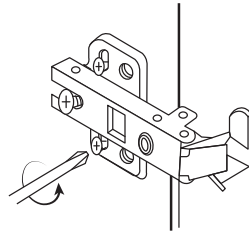
6. Hinge/Door Adjustment and Realignment

• If adjustment or realignment is needed, follow the instructions provided in the following chart.

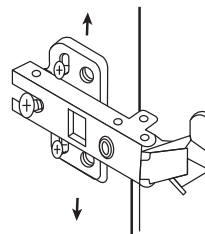
Vertical adjustment



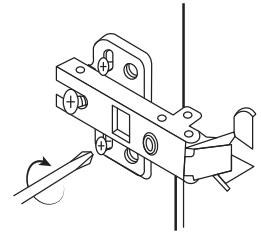
1. Loosen screws



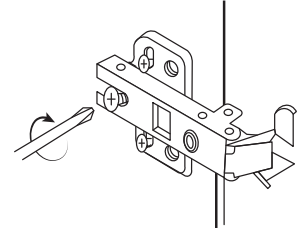
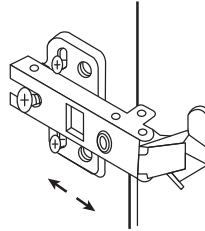
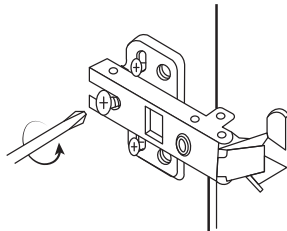
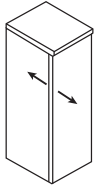
2. Adjust hinge



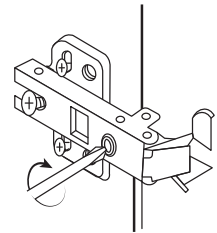
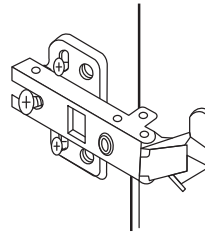
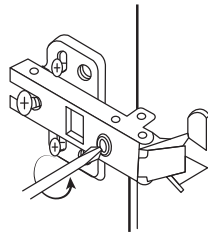
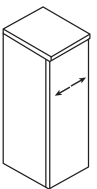
3. Tighten screws



Horizontal adjustment



Door gap adjustment



ONE YEAR LIMITED WARRANTY

Swiss Madison® products are made with quality materials and excellent craftsmanship to provide our customers with beautiful, durable, long-lasting products. Should there be any defects in materials or craftsmanship under regular use that are discovered within the first year of installation, Swiss Madison® will provide replacement parts at no charge, or at its discretion, replace any product or part of the product that is deemed defective, under normal installation, use, service or maintenance. This warranty applies only to the original purchaser. Proof of purchase will be required in the instance of a claim.

Swiss Madison® recommends all installations of Swiss Madison® products to be conducted by a licensed, professional plumber or contractor. Swiss Madison® will not be held responsible for any damage or product failure due to improper installation, misuse, or failure to utilize a licensed professional for installation. Swiss Madison® is not responsible for any installation or removal costs.

This One Year Limited Warranty Will Be Voided If:


- The installation recommendations were not followed by the installer
- The product has been moved from its initial place of installation
- The product has in any way been modified from its packaged state
- The product has been subjected to improper maintenance, abuse, misuse, excessive use of chemicals, accidents, or other damages, etc.

Swiss Madison® makes no implication that its products comply with any local building or plumbing codes. It is the consumer's responsibility and obligation to determine local code compliance prior to and during installation. This warranty extends only to the original purchaser and first consumer.

Swiss Madison® is not responsible for any special, incidental or consequential damages associated with the installation, replacement, return or use of the original purchaser's product. This includes, but is not limited to: freight costs, labor, travel time, lost profit, home damages and other contingent liabilities and costs (including, without limitation, costs associated with 'professionals' or 'experts', investigations, audits, analyses, attorneys and any other professional/hired services).

The Swiss Madison® warranty is a comprehensive and explicit limit of liability. All items not disclosed within the warranty are not addressable within the responsibility of Swiss Madison®. Certain states have variances regarding implied warranties; in those situations, we remain fully compliant.

**If you have any questions or concerns, please contact us directly at
1-434-MADISON (623-4766)**

 **WARNING:** Contents of your order may contain sharp and possibly other harmful pieces and may cause hazard to children and adults. Swiss Madison® is not responsible in any way for personal damages.