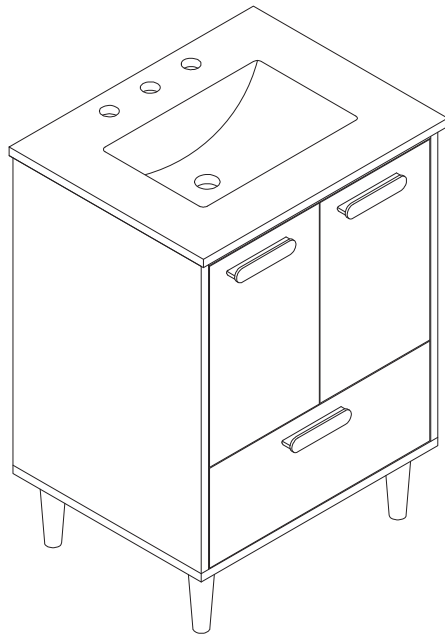
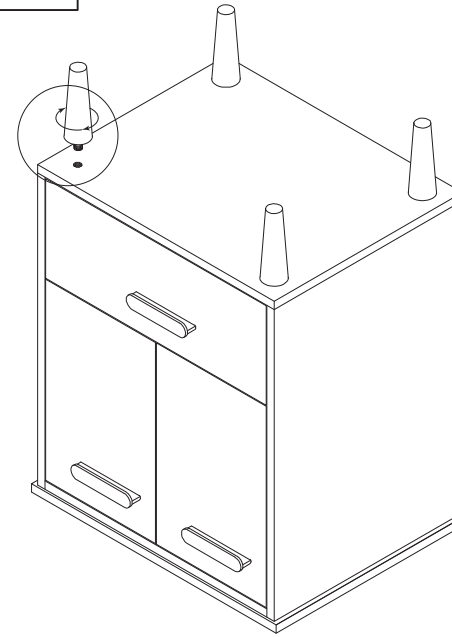


# ASSEMBLY INSTRUCTIONS



## Step 1



**warning: Use two people to lift the vanity. Upon turning over the vanity upright, do not allow pressure to apply to one single leg or one single side.**

## Step 2

