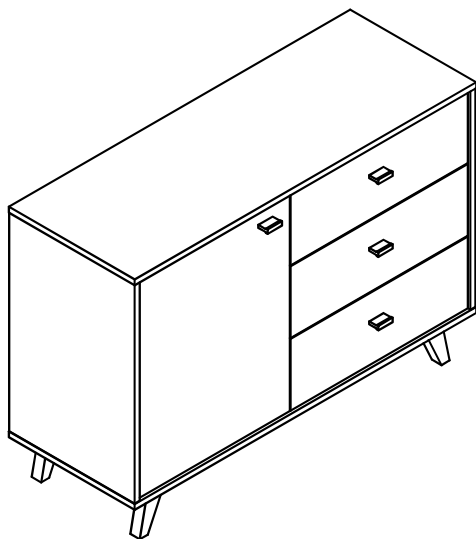


# MEDIUM SIDEBOARD

## ASSEMBLY GUIDE



**Important - Please read these instructions fully before starting assembly**



### **SAFETY AND CARE ADVICE**



### **NO POWER TOOLS**

#### **SAFETY AND CARE ADVICE**

- Check you have all the components and tools listed.
- Remove all fittings from the plastic bags and separate them into their groups.
- We do not recommend the use of power drills/drivers for inserting screws, as this could damage the unit. Only use hand screwdrivers and Allen keys.
- Keep children and animals away from the work area, small parts could cause choking if swallowed.
- Make sure you have enough space to lay out the parts before starting.
- Assemble the item as close to its final position (in the same room) as possible.
- Do not overtighten the nuts to avoid causing damage to the threads.
- Only clean using a damp cloth and mild detergent, do not use bleach or abrasive cleaners.
- From time to time check that there are no loose screws on this unit
- This product should not be discarded with household waste. Take to your local authority waste disposal centre
- **Warning:** Unfixed furniture may tip over. We strongly advise you use the anti-tipping kit provided to secure your shelves to the wall. Please use appropriate fixings for your wall and get professional advice if unsure.

## IMPORTANT INFORMATION



30 MINUTE  
BUILD

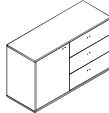


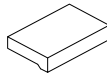



TWO  
PERSON




MAXIMUM  
CAPACITY 80Kg

PLEASE CHECK CAREFULLY AND MAKE SURE YOU HAVE ALL FITTINGS AND TOOLS LISTED BELOW BEFORE YOU START.

DESCRIPTION	PART NAME	Q'ty(PCS)
①		1
②		4
③		1
④		4

G  BOLT M6\*12MM 20 PCS

D  BOLT M4\*20MM 8 PCS

**NOTE:** The quantities above are the correct amount to complete the assembly.  
In some cases more fittings may be supplied than are required.

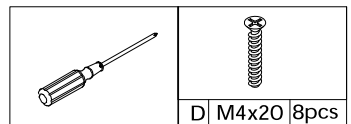
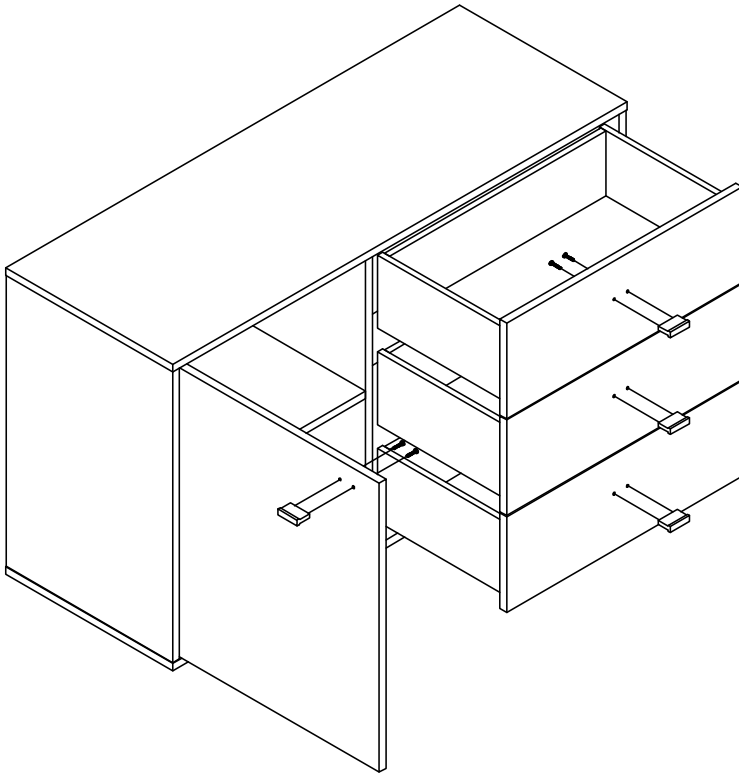
# STEP 1

Use a clean, flat, soft surface to avoid any bumps or scratches.

Unpack your sideboard carefully

Attach 1x handle [4] to each drawer front and the door with 2 x bolts [D].

Tighten using screwdriver.

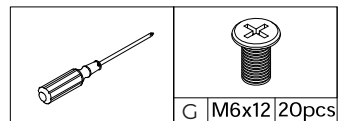
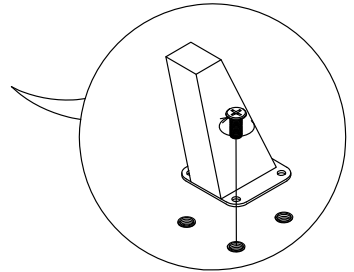
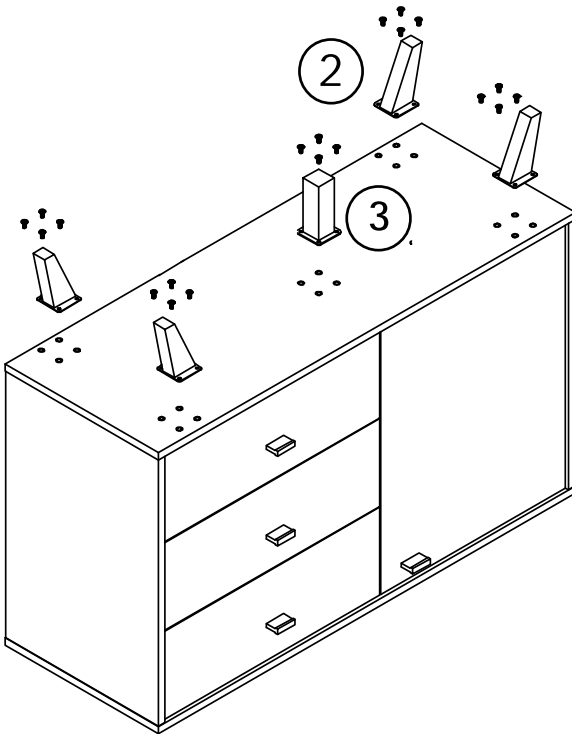


D	M4x20	8pcs
---	-------	------

## STEP 2

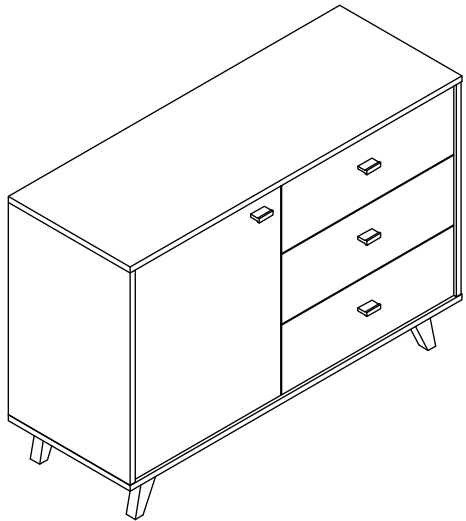
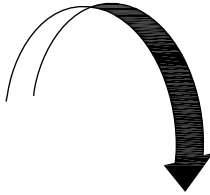
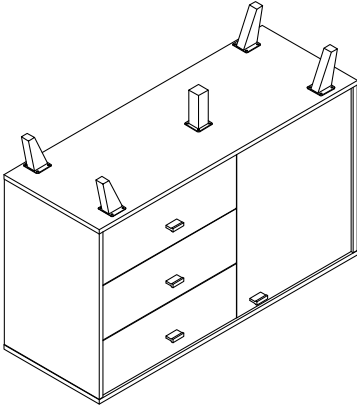
Carefully, and with help, place your sideboard upside down on a soft surface.

Ensure the legs are facing the outwards direction on the bottom panel. Attach 4 x legs [2] and 1 x middle leg [3] with 20 x bolts [G]. Tighten using screwdriver.



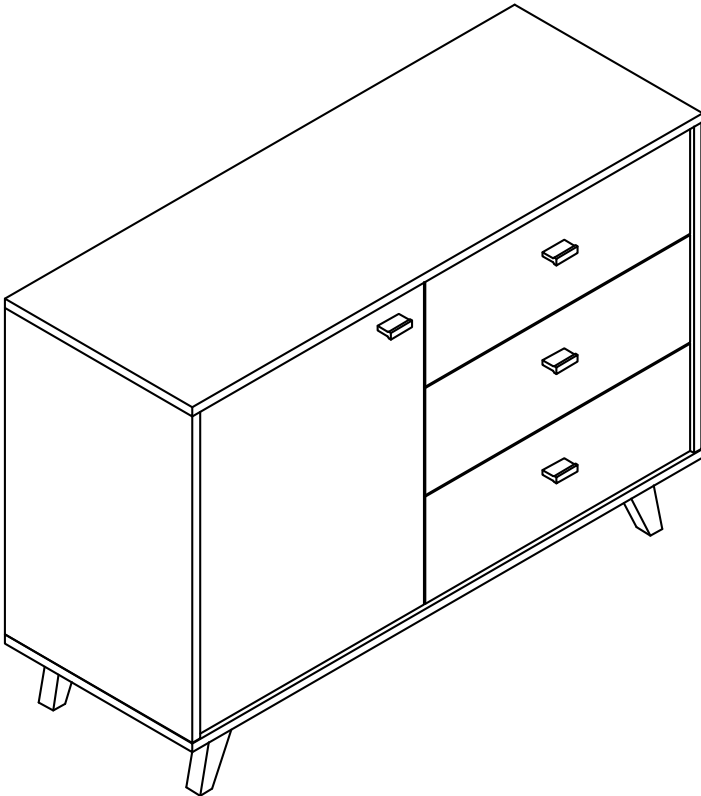
## STEP 3

Carefully, and with help, stand the sideboard on its legs.



## STEP 4

Your sideboard is now complete, and ready to be anchored to a wall.



## STEP 5

### Anti Tipping Kit Instructions

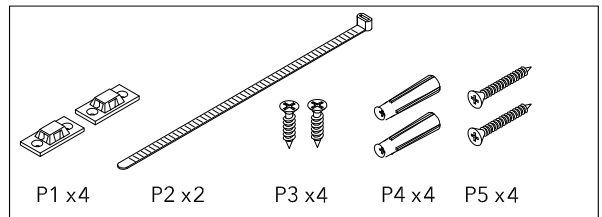
**Warning** Unfixed furniture may tip over. We strongly advise you use the anti-tipping kit provided to secure your furniture to the wall. Please use appropriate fixings for your wall and get professional advice if unsure.

The plastic anchors are designed for fixing to concrete walls only.

Please use appropriate fixings for your wall and get professional advice if unsure.

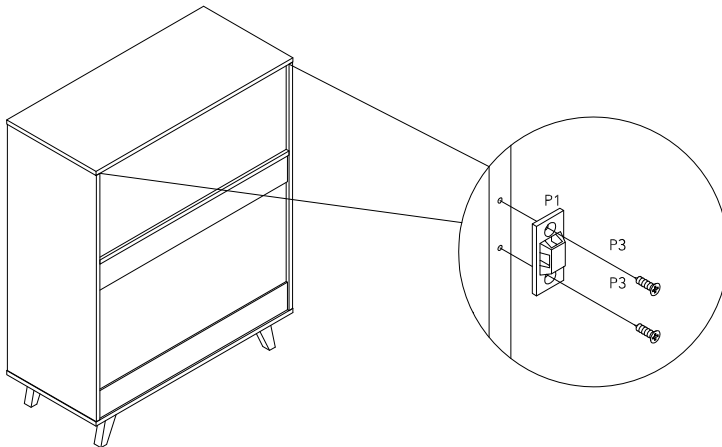
#### Hardware

- 4x Plastic brackets (P1)
- 2x Zip ties (P2)
- 4x Screws M4 \*16 (P3)
- 4x Plastic anchor  $\varnothing 6 \times 30$  (P4)
- 4x Wall screw M4 \*40 (P5)



## STEP 6

We recommend the plastic connectors be fitted just below the top of the unit to remain invisible when the unit is in place. Fasten 2x Plastic brackets [P1] to the back of the side panels with 4 x screws [P3].



## STEP 7

With help, move the sideboard into position. Mark fixing holes on wall and remove the sideboard.

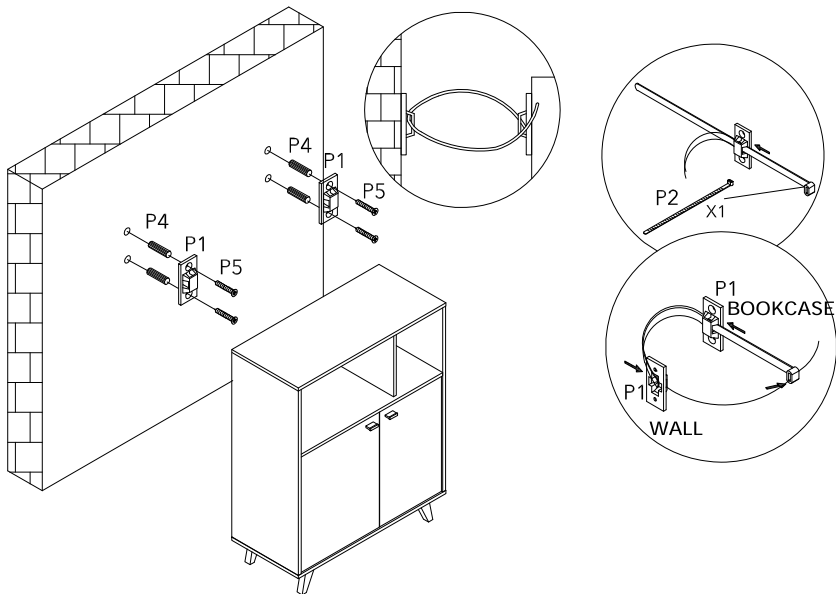
Carefully drill holes in the wall. Fix plastic brackets [P1] to the wall with 4 x plastic anchors [P4] and 4 x wall screws [P5].

Move the sideboard closer to the wall, and pass flat end of the cable tie through the plastic bracket [P1] on the wall, then loop the cable tie through the bracket [P1] on the sideboard.

Insert the flat end of the cable tie into the buckle of the cable tie, then tighten the cable tie.

Ensure everything is secure.

Your sideboard is now secured to the wall and ready to use.





## OUR 2 YEAR GUARANTEE

our products come with a 2 year guarantee  
to give you peace of mind shopping

some garden furniture items have  
a 1 year guarantee



## WHAT THE GUARANTEE COVERS

---



**PRE-INSERTED FIXINGS**  
e.g. loose metal threads



**FAULTY JOINTS**  
e.g. legs bending



**EXTERNAL FIXING FAULTS**  
e.g. metal discs removing  
from table top



**STRUCTURAL INTEGRITY**  
e.g. the frame of the  
product