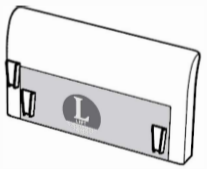


Sofa 



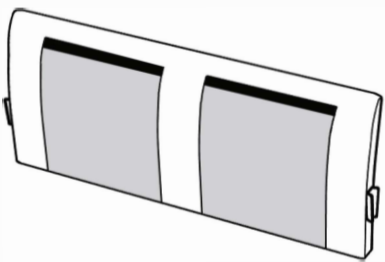
Right

A x 1pc

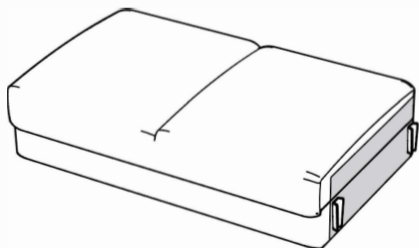


Left

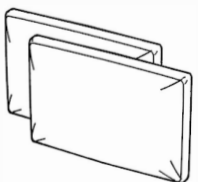
B x 1pc



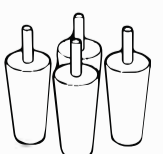
C x 1pc



D x 1pc

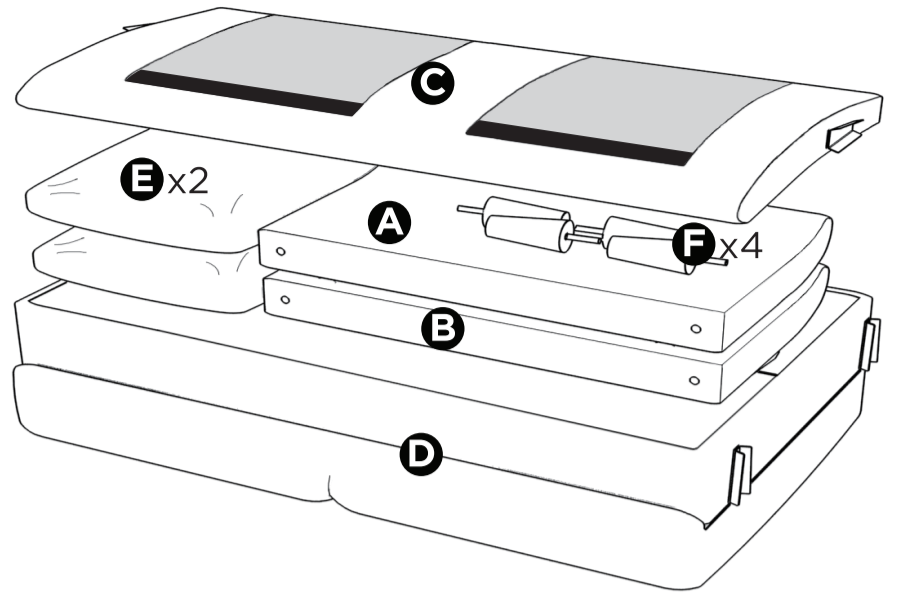
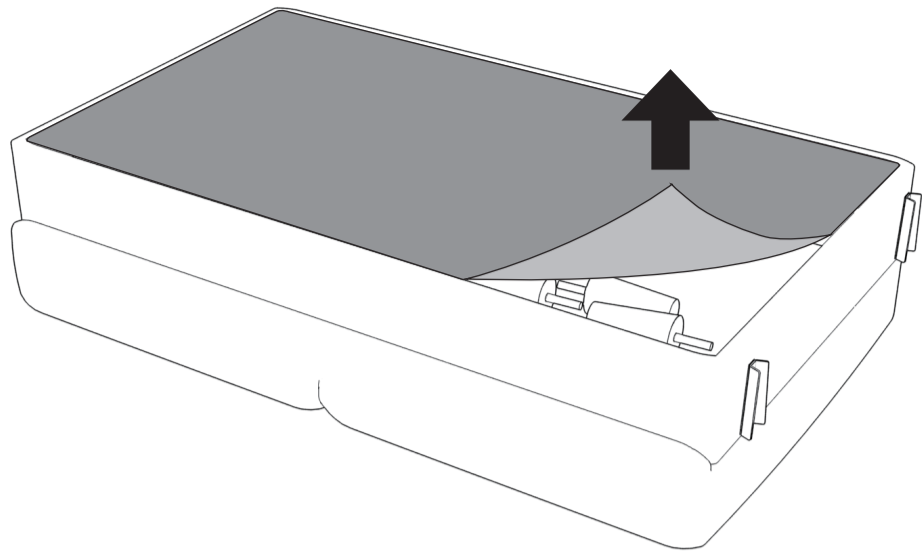


E x 2pcs

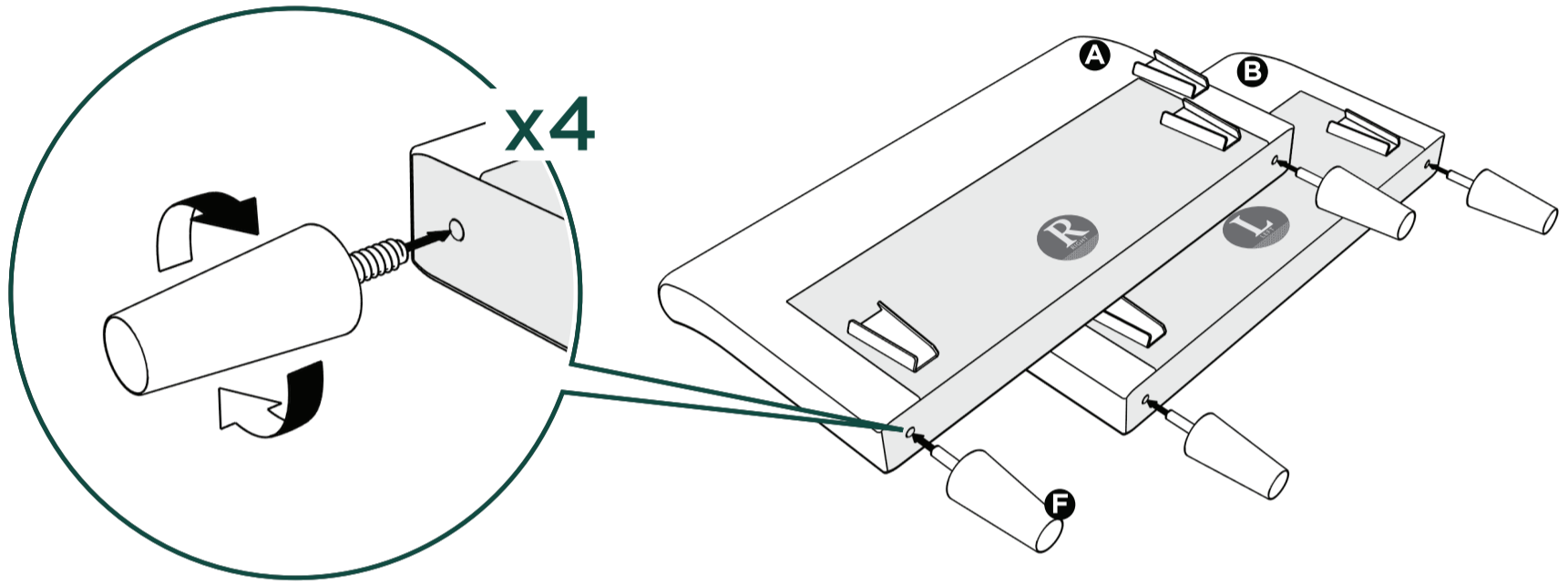


F x 4pcs

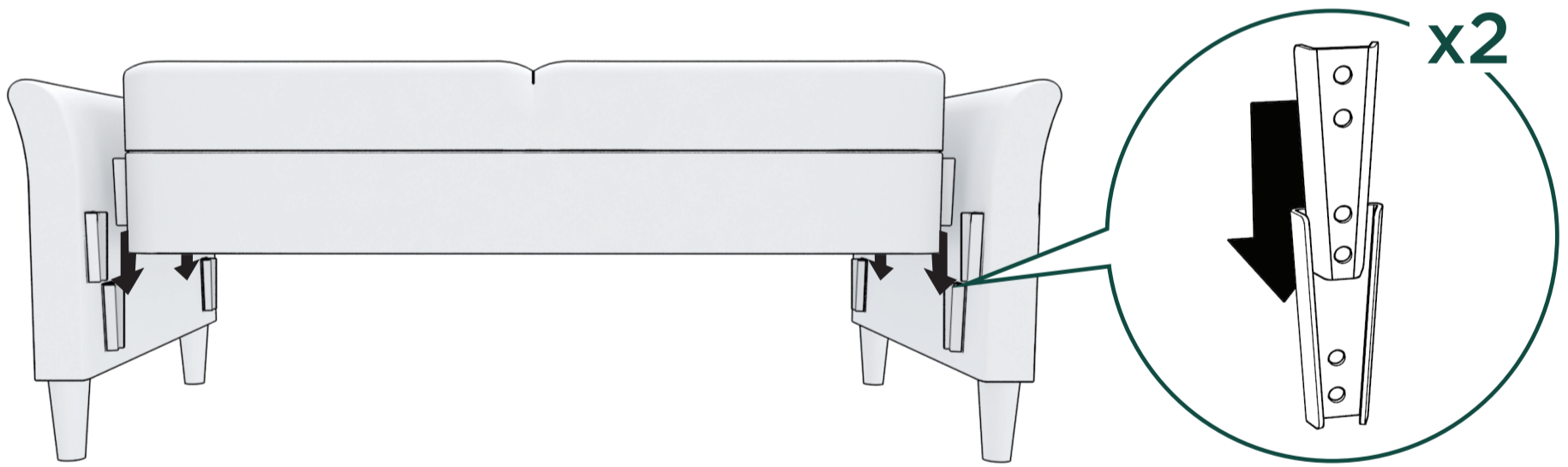
1



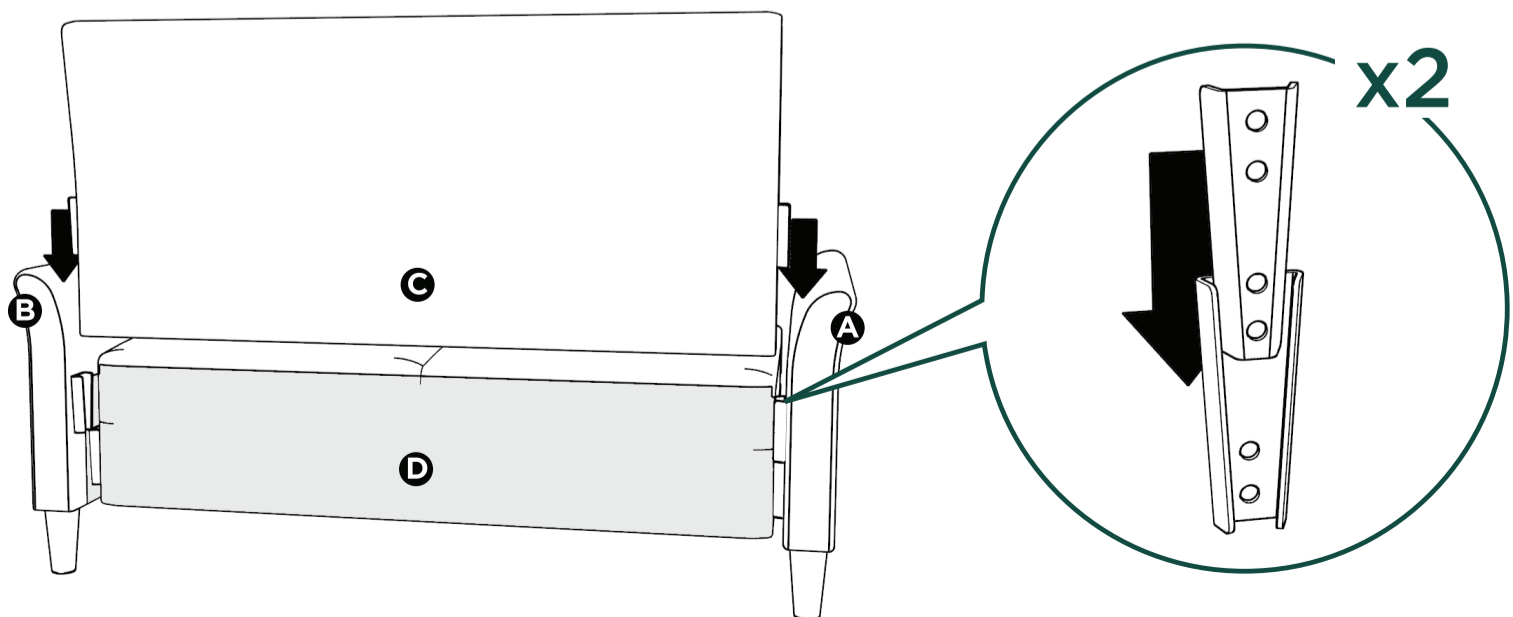
2



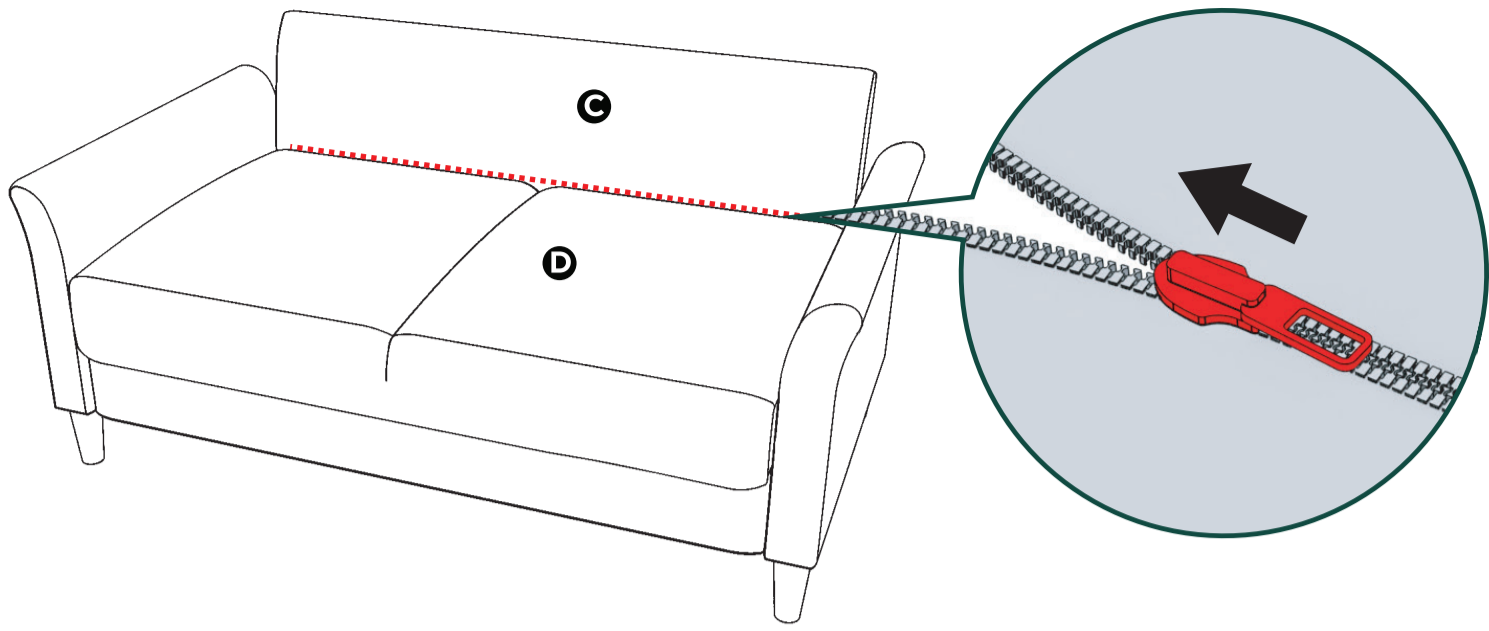
3



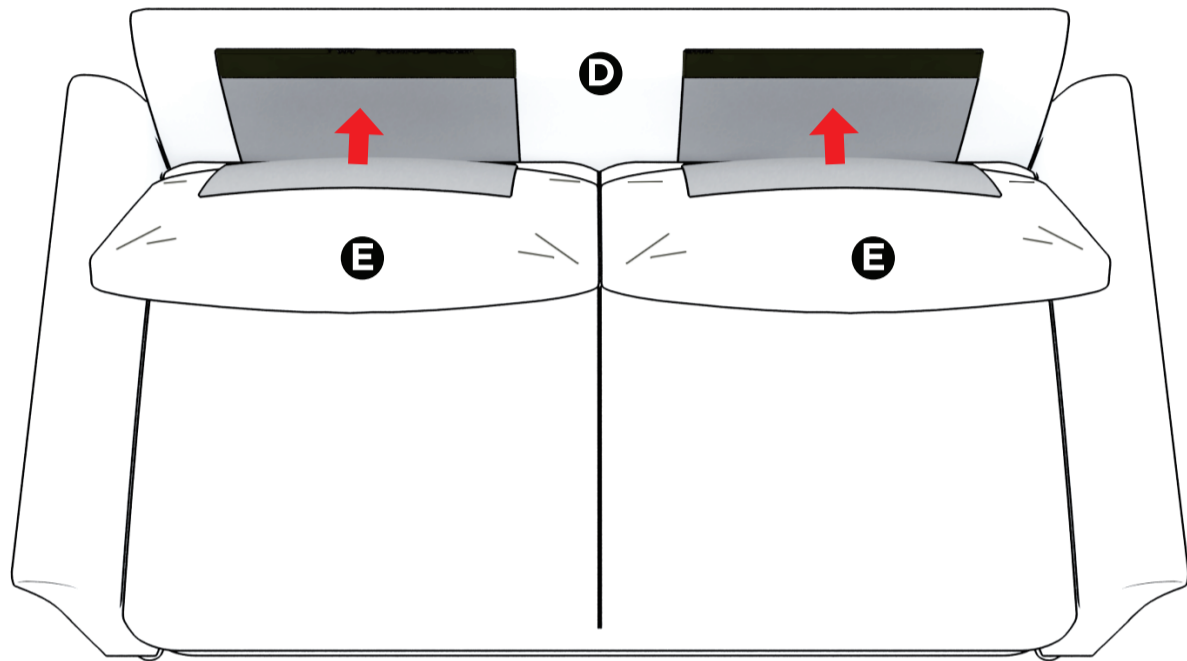
4



5



6



7

