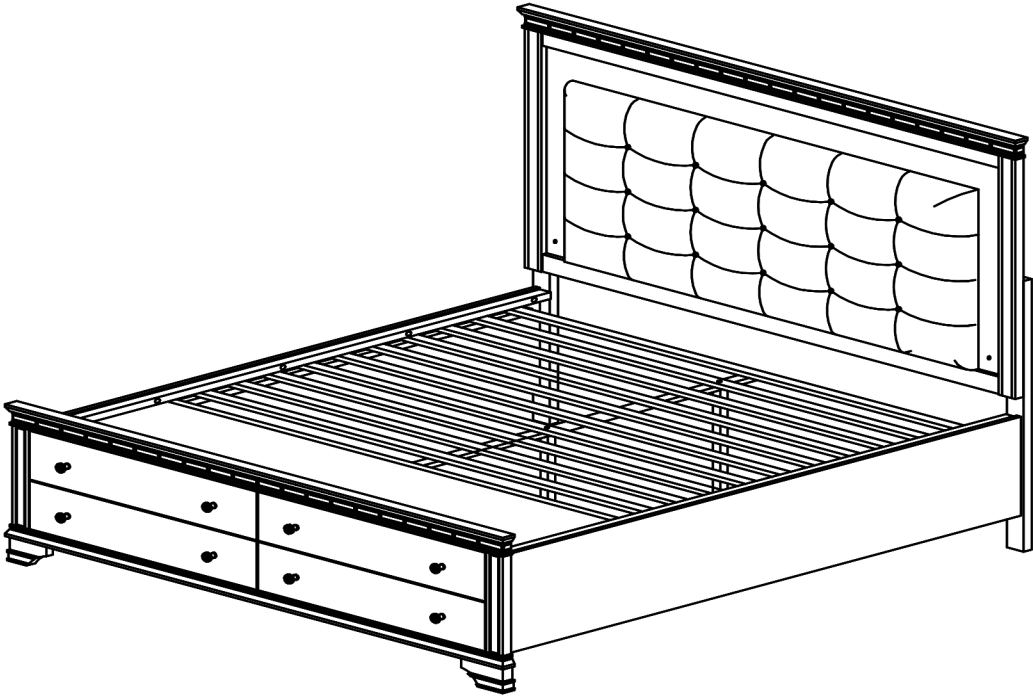


Assembly Instructions

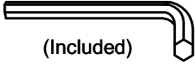


ASSEMBLY RATING

The Assembly Rating is a 5-point system that shows the degree of effort needed in assembling a specific product (with 1 being easy and 5 being difficult). For some products, two persons are recommended.

Tools Required For Assembly:

Allen Wrench



(Included)

Phillips Screwdriver



(Not Included)

EASY



DIFFICULT

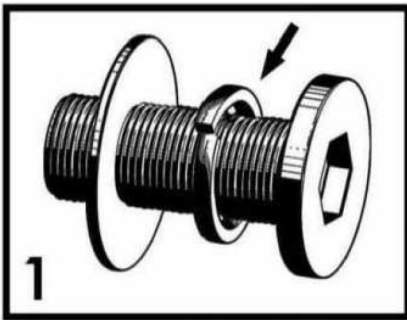


2 PERSONS RECOMMENDED

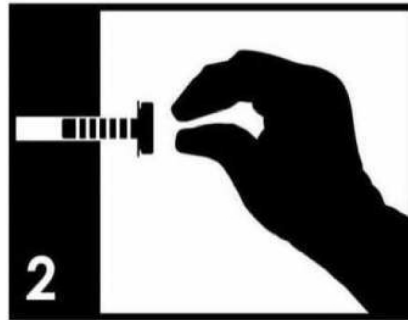
ASSEMBLY & CARE ADVICE

FOR YOUR FURNITURE TO LAST, CORRECT ASSEMBLY AND PROPER MAINTENANCE ARE NECESSARY. PLEASE FOLLOW THE INFORMATION PROVIDED BELOW TO FULLY ENJOY YOUR FURNITURE.

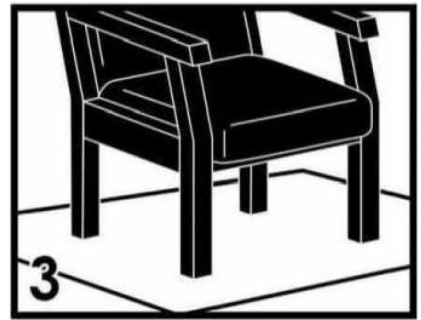
BASIC ASSEMBLY TECHNIQUES



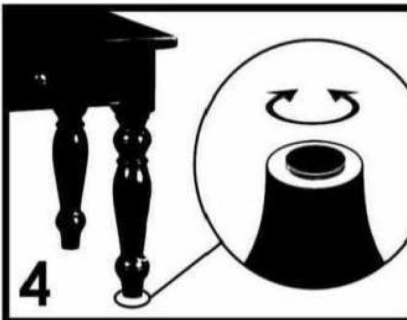
When lock or spring washer is used in an assembly, please make sure the lock or spring washer is placed between the larger flat washer and the head of the screw or bolt.



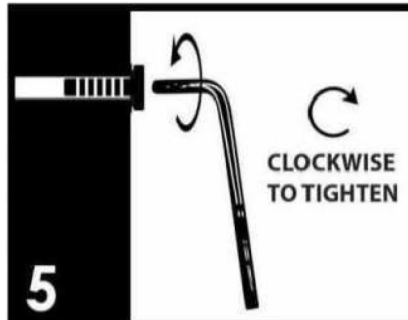
Position each part correctly and insert screws or bolts into their respective holes by hand tighten or using the proper hand tool. Only tighten when step is completed or when instructed to do so.



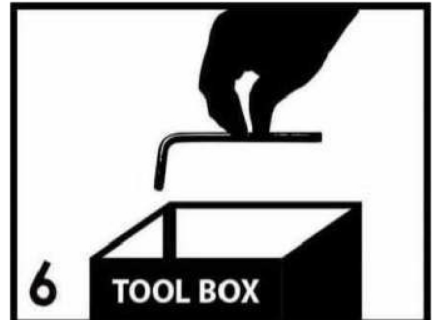
Use cardboard or carpet area when assembling furniture to prevent scratches. Make sure the furniture rests on a flat and level surface with each leg evenly touching the floor.



Some furniture comes with height adjustment knobs underneath each leg. To lower or to raise each leg, you need to turn clockwise or counterclockwise, respectively.



Make sure all parts are properly aligned, then use the appropriate hand tool to completely tighten the bolts or screws. Do not use power tools and do not overtighten.

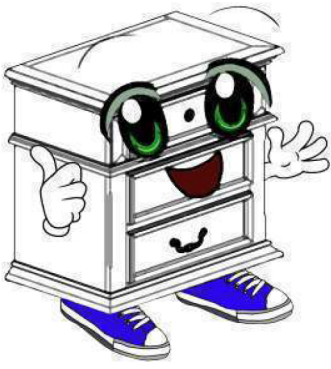


Save the instructions and store the Allen wrench or any supplied tool for later maintenance. After two weeks, check and tighten any loose hardware and repeat again every six months thereafter.

IT IS THE USER'S RESPONSIBILITY TO MAINTAIN THE FURNITURE. THE HARDWARE MAY LOOSEN OVER TIME AND MAY CAUSE THE FURNITURE TO BE WOBBLY AND UNABLE TO SUPPORT ITS INTENDED WEIGHT CAPACITY. THIS MAY LEAD TO COLLAPSE AND MAY CAUSE SERIOUS INJURY.



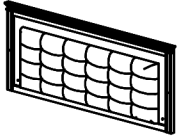
FAILURE TO FOLLOW THE GUIDELINES ABOVE MAY RESULT IN INJURY AND/OR PROPERTY DAMAGE.



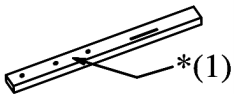
Before you begin, please read Page 2 of "Assembly and Care Advice".

And remember, do not tighten until each step is completed or instructed.

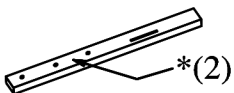
Parts List



#1 x 1pc
Headboard (LED)



#2 x 1pc
Headboard Leg (L)



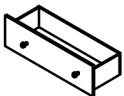
#3 x 1pc
Headboard Leg (R)



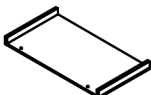
#4 x 1pc
Footboard



#5 x 2pcs
Side Rail



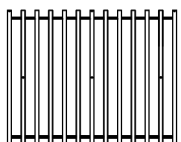
#6 x 2pcs
Drawer



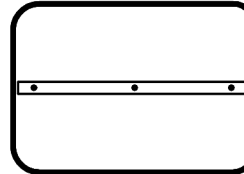
#7 x 2pcs
Drawer Base Panel



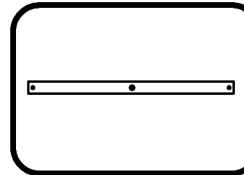
#8 x 1pc
Drawer Support Rail



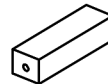
#9 x 13pcs
Roll Slat



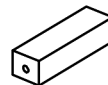
#10 x 1pc
Center Vertical Slats



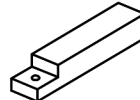
#11 x 1pc
Slat



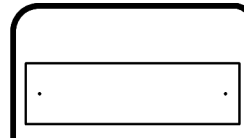
#12 x 3pcs
Slat Support Leg(short)



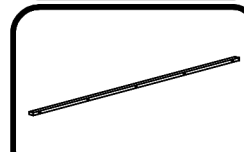
#13 x 1pc
Slat Support Leg (Long)



#14 x 1pc
Drawer Support Leg



#15 x 1pc
Slat Cover Panel



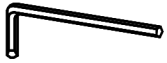
#16 x 2pcs
Top Cap



Before you begin, please read Page 2 of "Assembly and Care Advice".

And remember, do not tighten until each step is completed or instructed.

Hardware Pack in Headboard



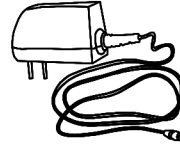
#A x 1pc
Allen Wrench



#D x 6pcs
M6 Flat Washer



#B x 6pcs
JCBC 40mm

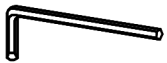


#E x 1pc
AC Adapter



#C x 6pcs
M6 Lock Washer

Hardware Pack in Footboard



#F x 1pc
Allen Wrench



#K x 6pcs
Screw 16mm



#G x 11pcs
JCBC 35mm



#L x 26pcs
Screw 32mm



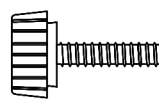
#H x 3pcs
JCBC 60mm



#M x 2pcs
L Bracket



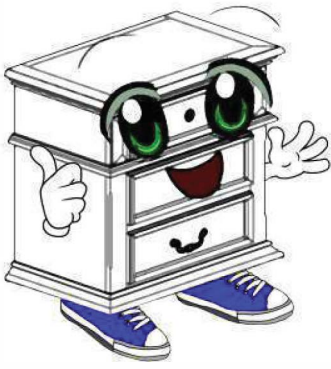
#I x 14pcs
M6 Lock Washer



#N x 4pcs
Adjustable Leveler



#J x 11pcs
M6 Flat Washer



Before you begin, please read Page 2 of "Assembly and Care Advice".

And remember, do not tighten until each step is completed or instructed.

Hardware Pack in Side Rail



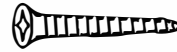
#O x 1pc
Allen Wrench



#S x 10pcs
M6 Flat Washer



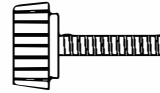
#P x 1pc
JCBC 35mm



#T x 2pcs
Screw 32mm



#Q x 10pcs
JCBC 45mm



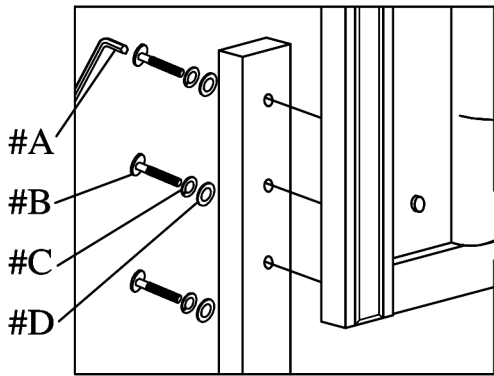
#U x 1pc
Adjustable Leveler



#R x 11pcs
M6 Lock Washer

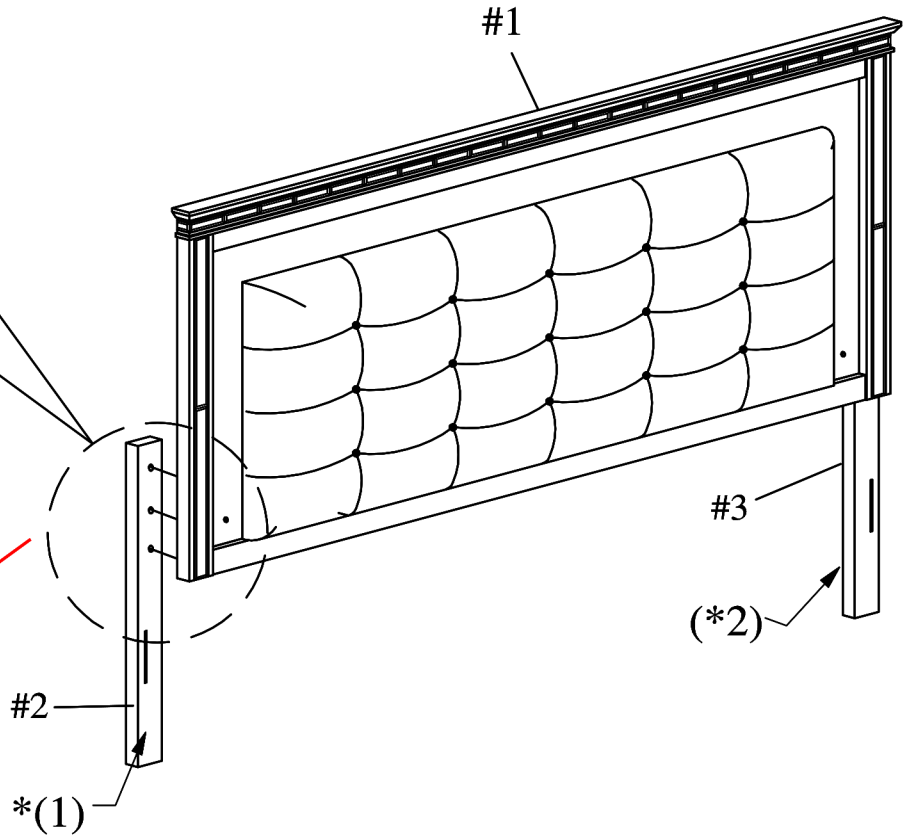


#B x 6pcs
 #C x 6pcs
 #D x 6pcs



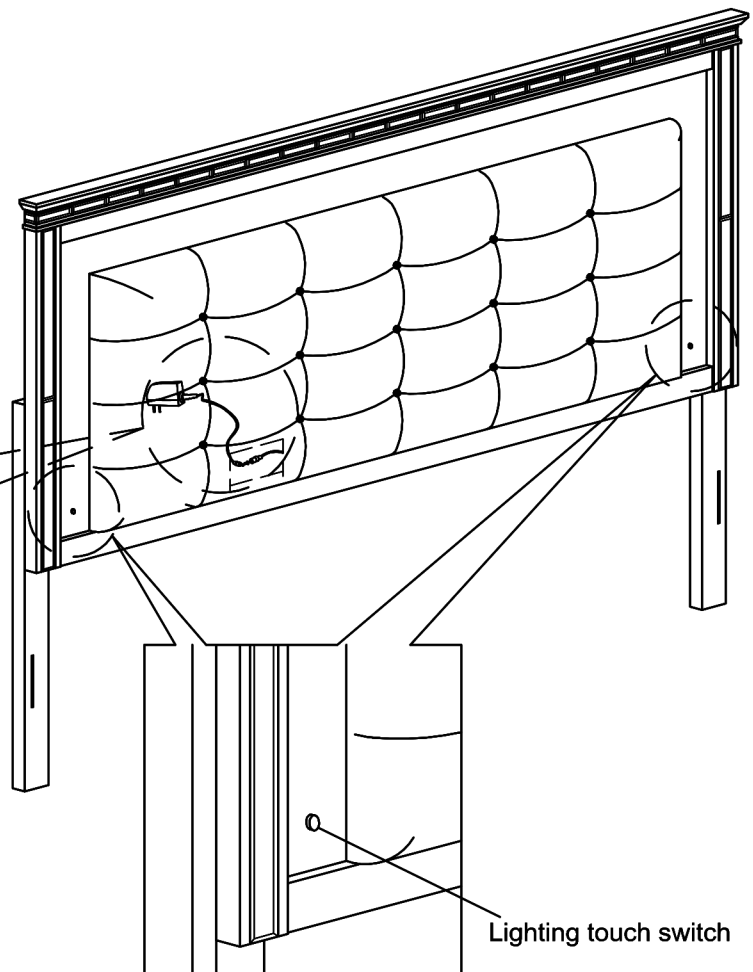
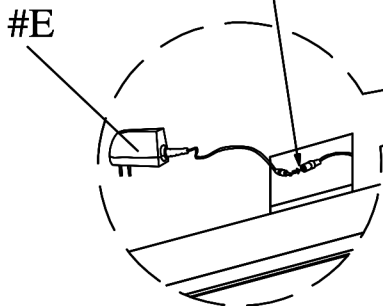
Note : Left and right is determined by facing the front of the headboard in its upright position.

Prepare 6 bolts assembly by inserting lock washer (#C), then flat washer (#D) onto bolts (#B). Align left HB leg (#2) and right HB leg (#3) to the holes of the headboard (#1) as shown in the diagram. Secure by using bolts (#B).



#E x 1pc

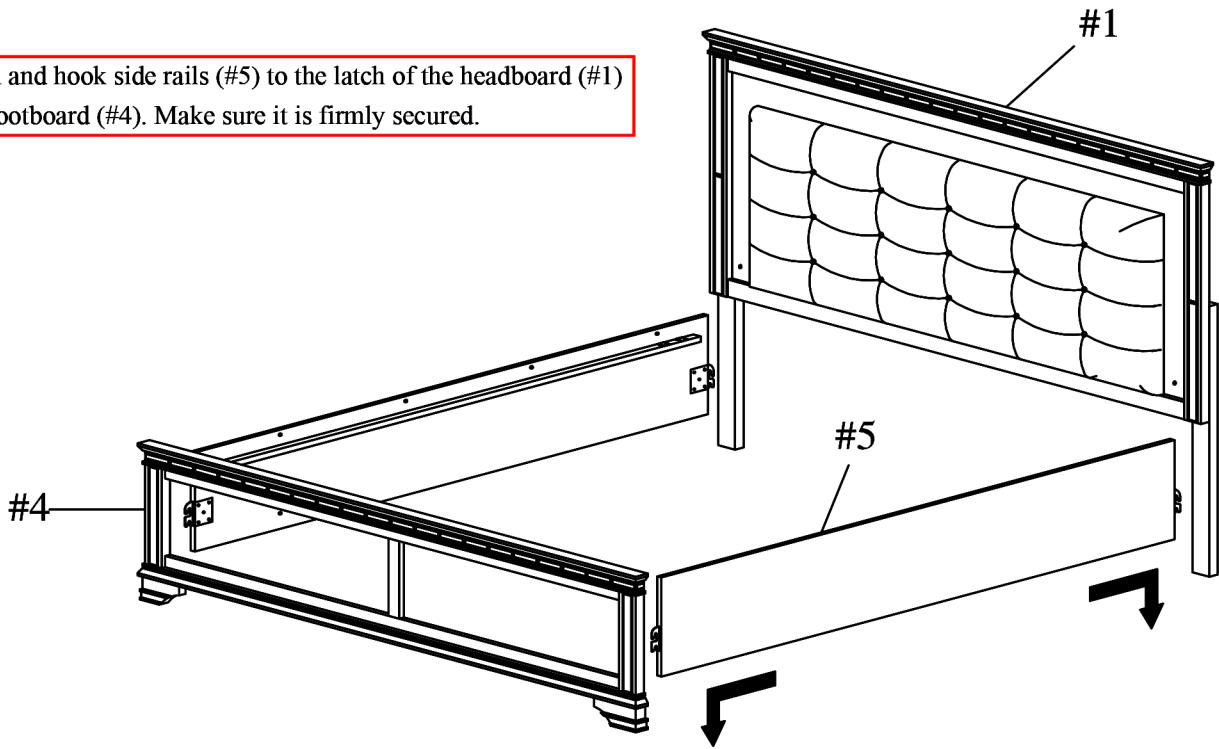
Ensure adapter socket connect to behind headboard socket





#3

Align and hook side rails (#5) to the latch of the headboard (#1) and footboard (#4). Make sure it is firmly secured.

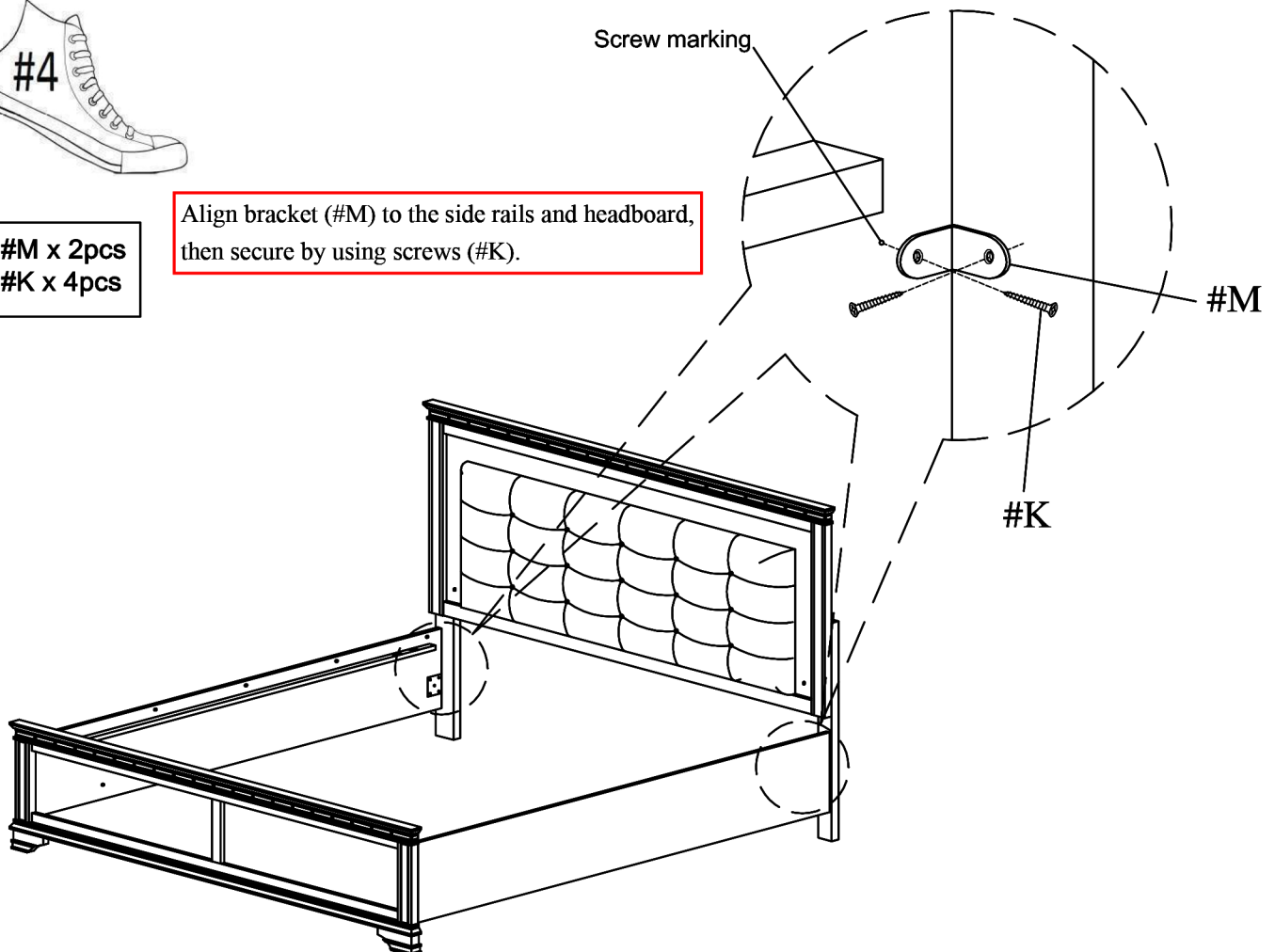


#4

#M x 2pcs
#K x 4pcs

Align bracket (#M) to the side rails and headboard, then secure by using screws (#K).

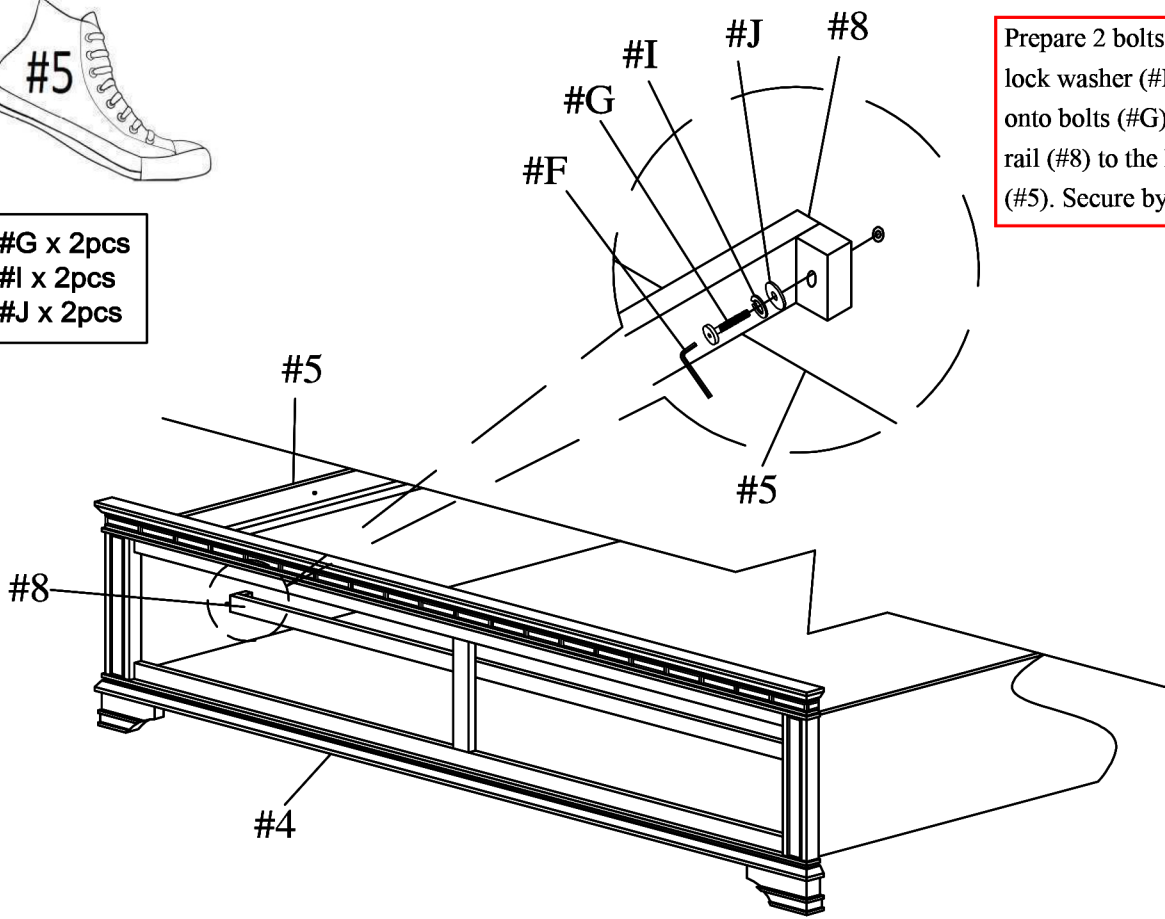
Screw marking





#G x 2pcs
 #I x 2pcs
 #J x 2pcs

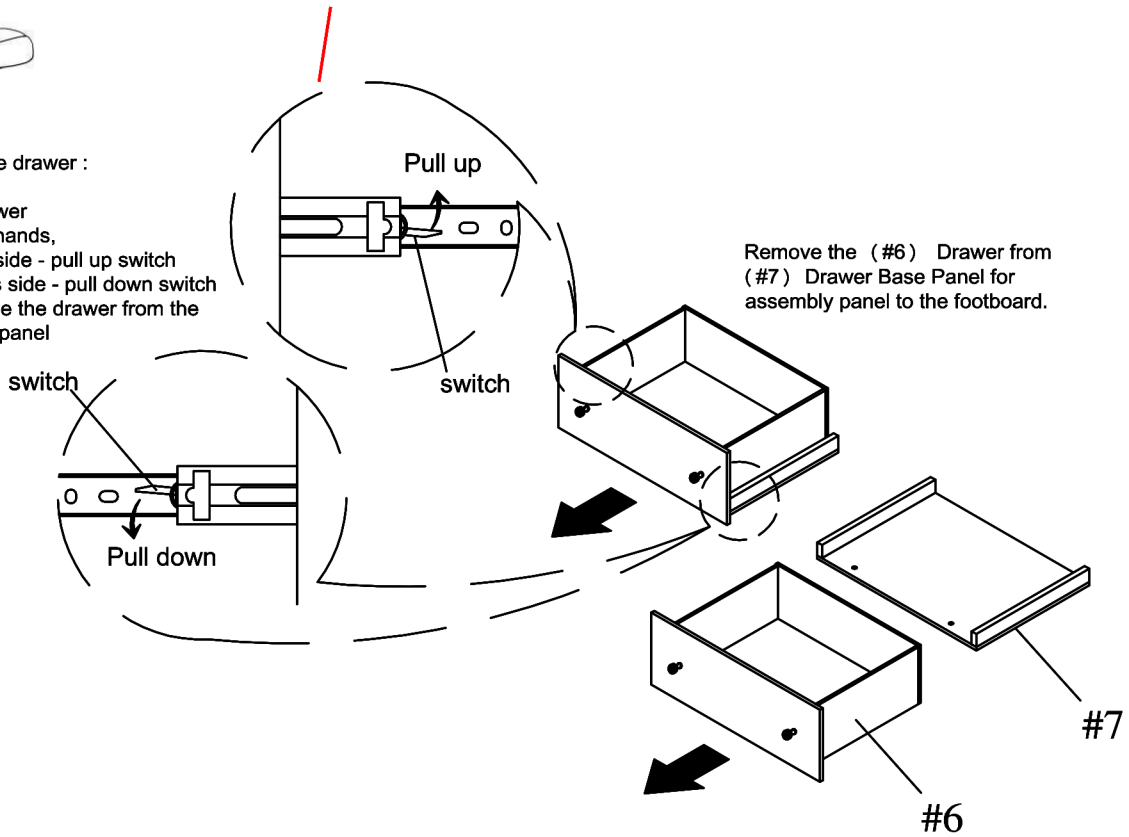
Prepare 2 bolts assembly by inserting lock washer (#I), then flat washer (#J) onto bolts (#G). Align drawer support rail (#8) to the holes of the side rails (#5). Secure by using bolts (#G).



Make sure to fully extend rails to see the black switch on the rails.

Step to remove the drawer :

1. Pull the drawer
2. Using both hands,
 - Left hands side - pull up switch
 - Right hands side - pull down switch
3. Than remove the drawer from the drawer base panel

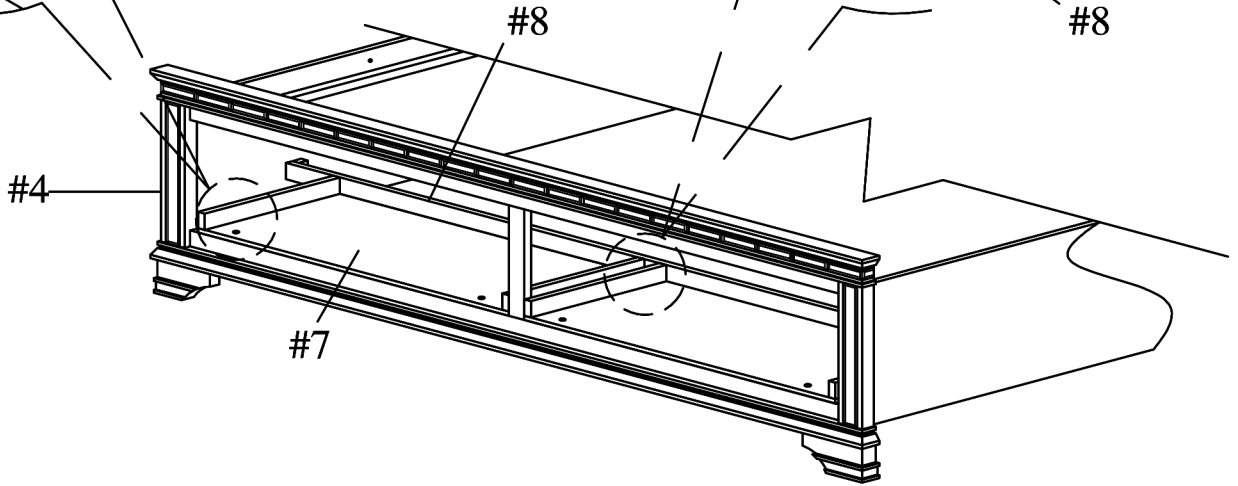
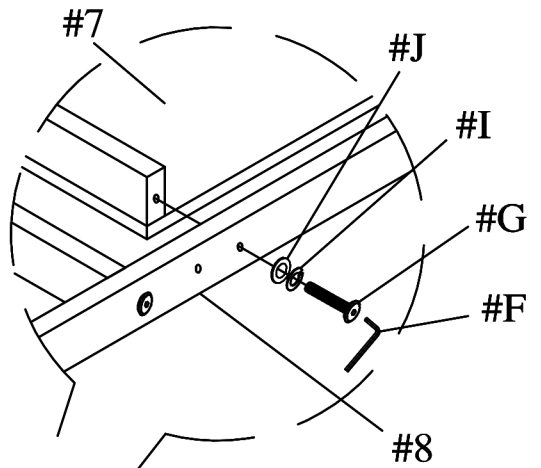
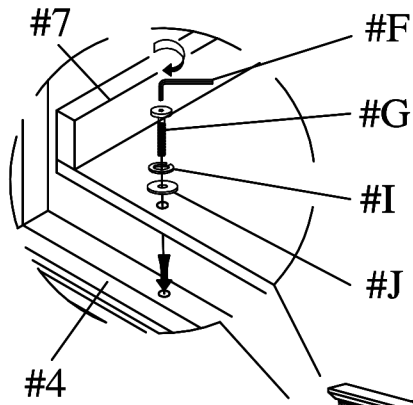




#7

#G x 8pcs
#I x 8pcs
#J x 8pcs

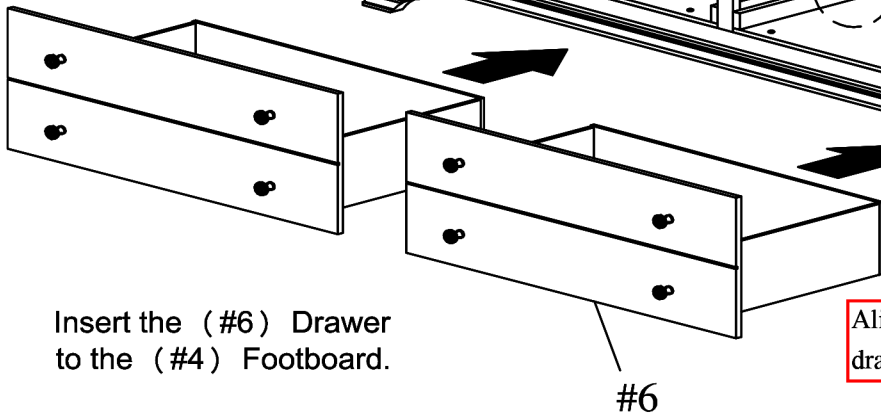
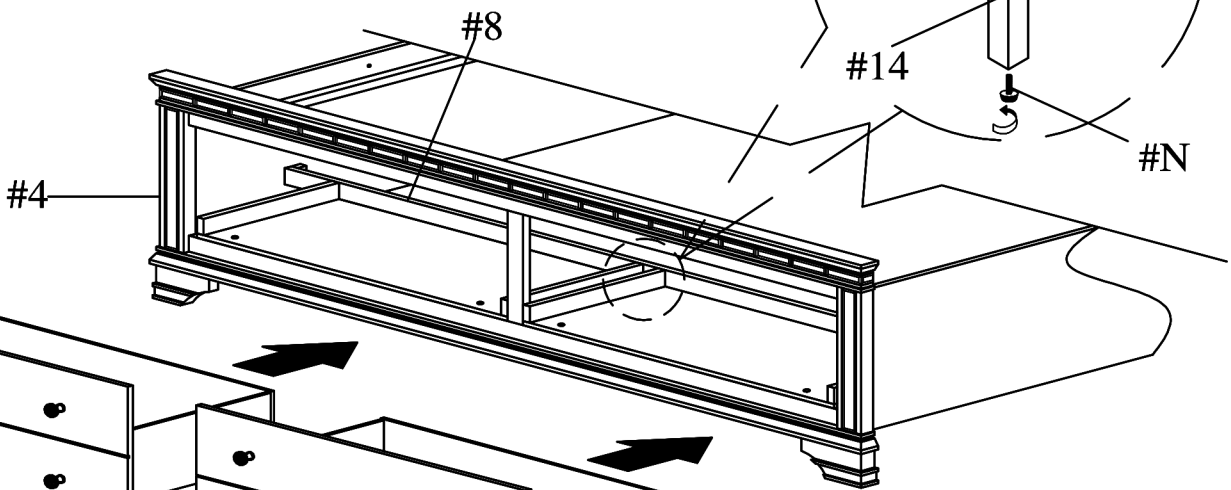
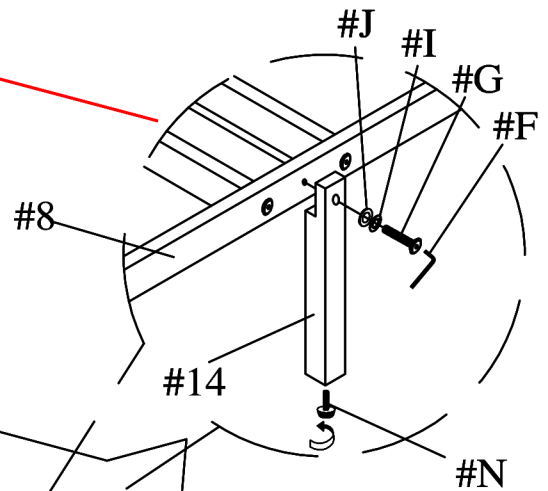
Prepare 8 bolts assembly by inserting lock washer (#I), then flat washer (#J) onto bolts (#G). Align drawer base panels (#7) to the holes of the footboard (#4) and drawer support rail (#8). Secure by using bolts (#G).



#8

#G x 1pc
#I x 1pc
#J x 1pc
#N x 1pc

Prepare 1 bolt assembly by inserting lock washer (#I), then flat washer (#J) onto bolts (#G). Align drawer support leg (#14) to the back hole of the drawer support rail (#8), then secure by using bolts (#G). Attach adjustable leveler (#N) to the bottom of the support leg (#14), then adjust leveler according to ground level.



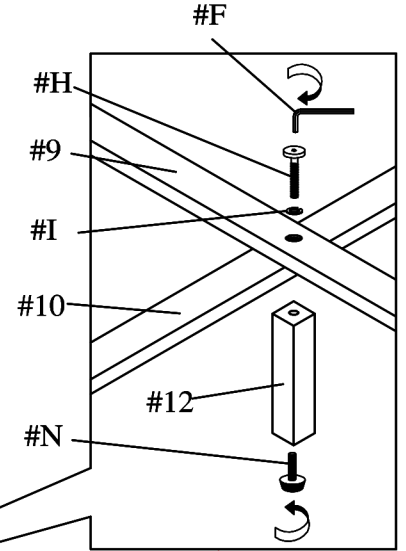
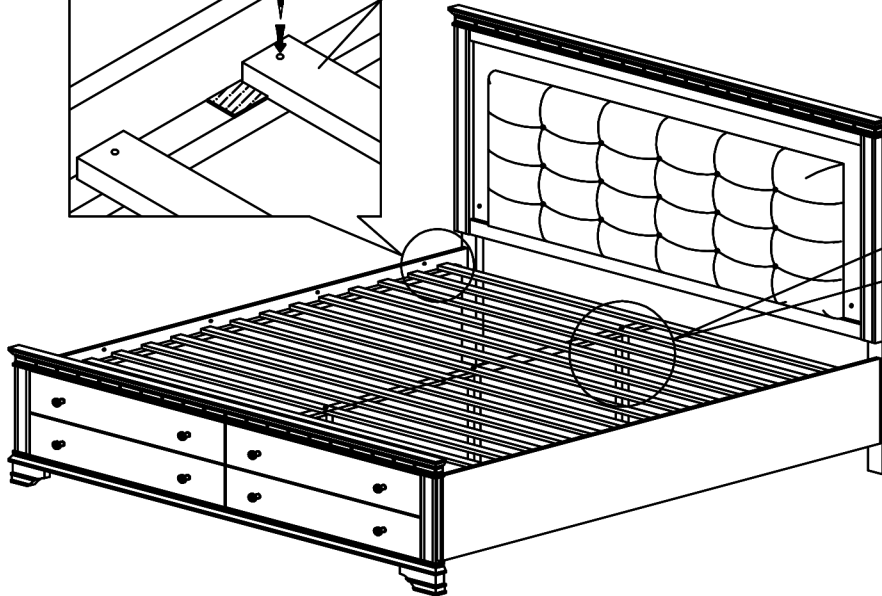
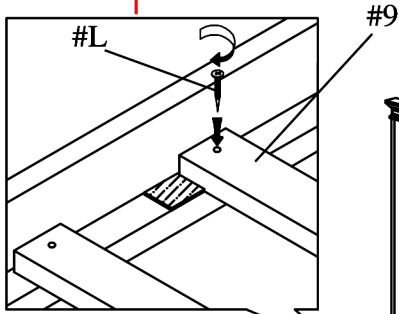
Insert the (#6) Drawer to the (#4) Footboard.

Align and connect the rails of the drawer base to the drawers.



#H x 3pcs
 #I x 3pcs
 #N x 3pcs
 #L x 26pcs

1) Align slats (#9) to the side rails, then secure by using screws (#L).



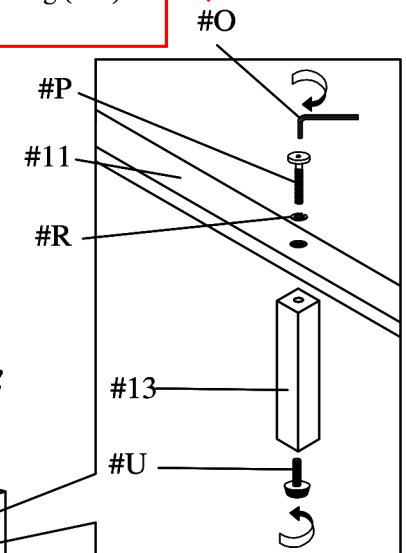
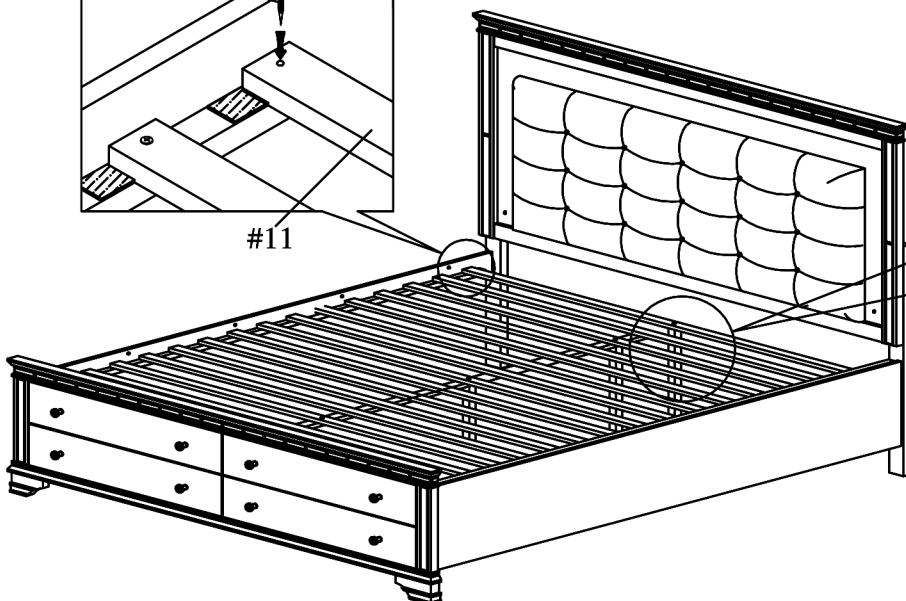
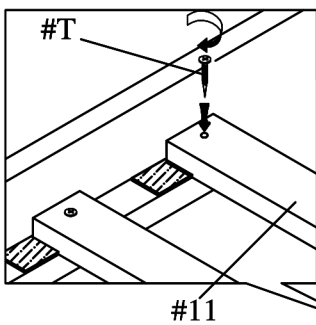
2) Prepare 3 bolts assembly by inserting washer (#I) onto bolts (#H). Attach levelers (#N) onto the support legs (#12) and adjust leveler according to ground level. Align center slat (#10) and support legs (#12) to slats (#9) holes, then secure by using bolts (#H).



#P x 1pc
 #R x 1pc
 #T x 2pcs
 #U x 1pc

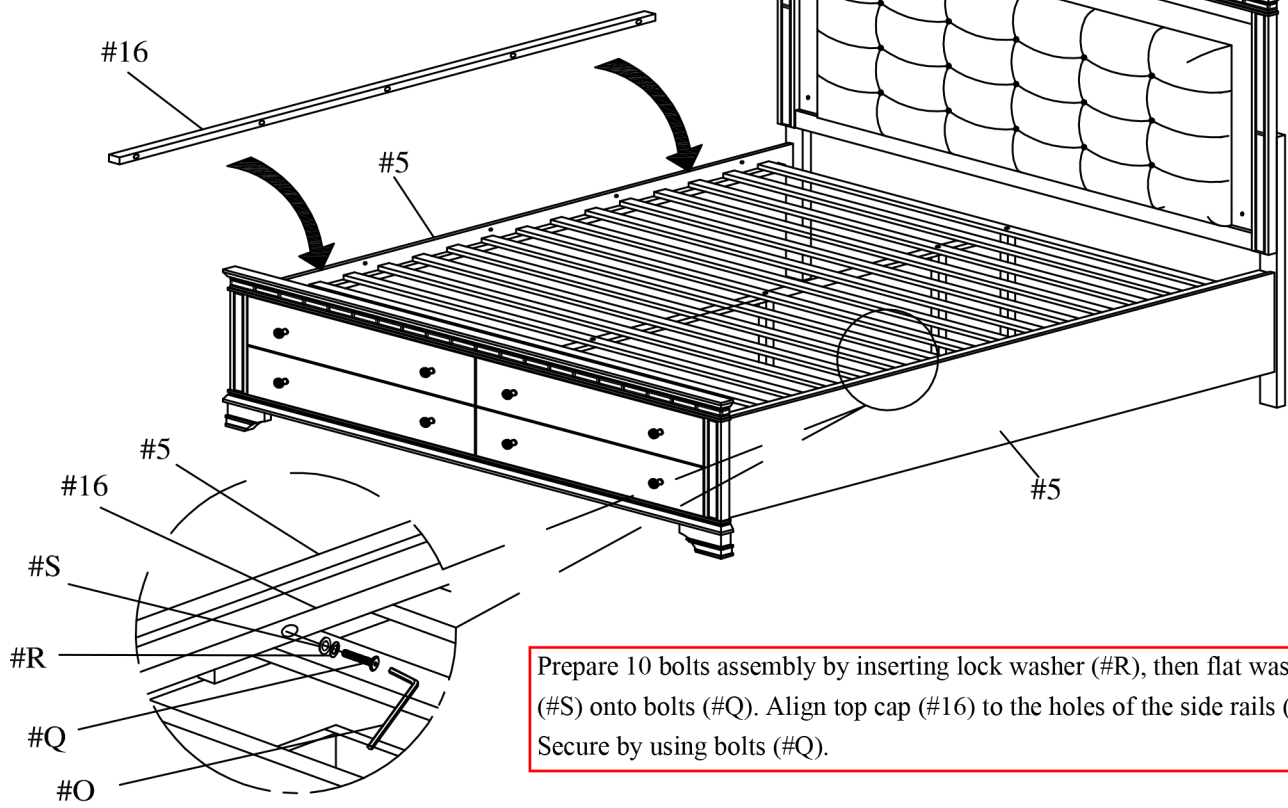
2) Prepare 1 bolt assembly by inserting washer (#R) onto bolts (#P). Attach leveler (#U) to the bottom hole of the support leg (#13), then adjust leveler according to ground level. Align support leg (#13) to the hole of the slat (#11). Secure by using bolts (#P).

1) Align slat (#11) to the front of the side rails. Secure by using screws (#T).





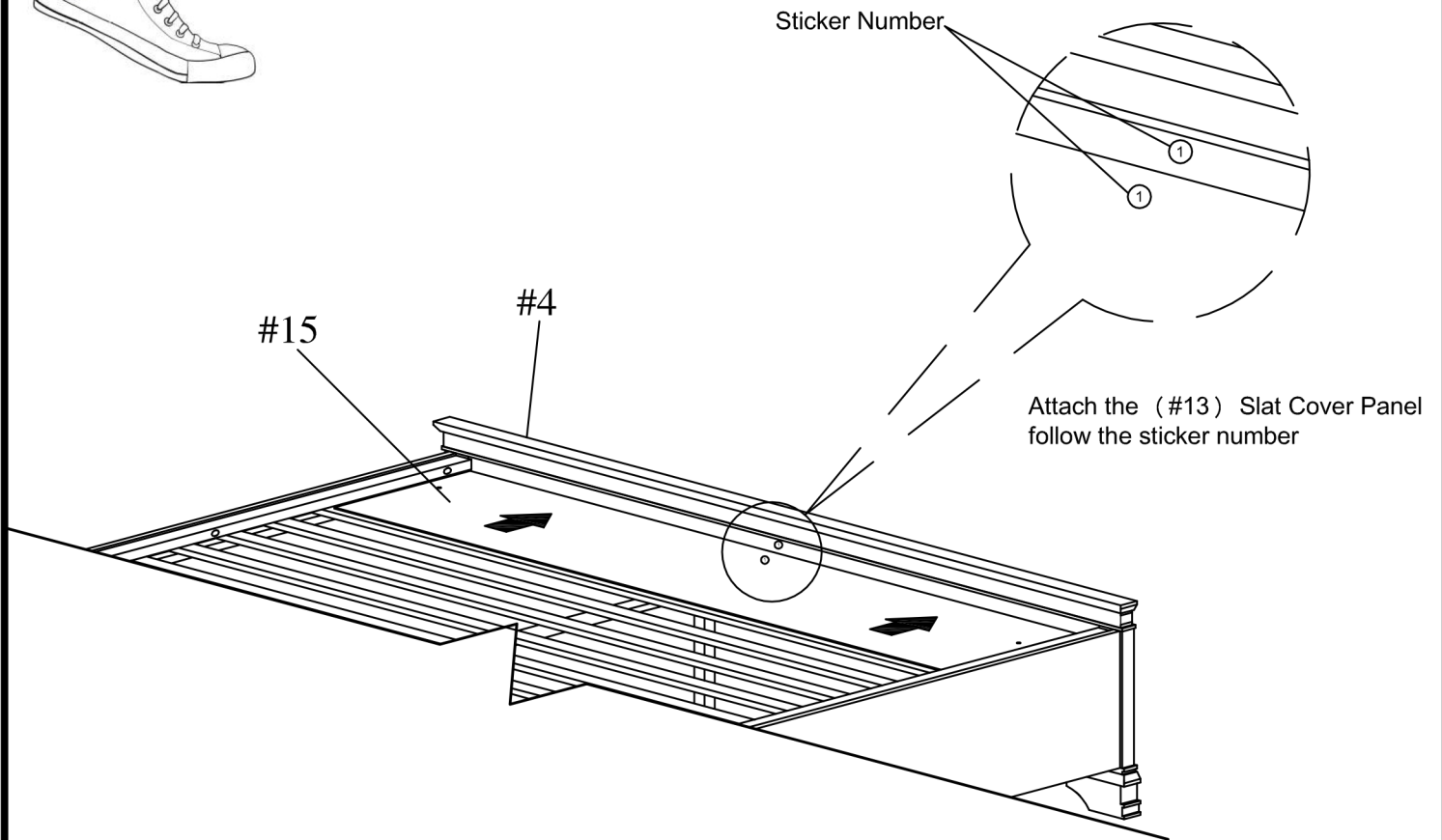
#Q x 10pcs
 #R x 10pcs
 #S x 10pcs



Prepare 10 bolts assembly by inserting lock washer (#R), then flat washer (#S) onto bolts (#Q). Align top cap (#16) to the holes of the side rails (#5). Secure by using bolts (#Q).



Sticker Number



Attach the (#13) Slat Cover Panel follow the sticker number

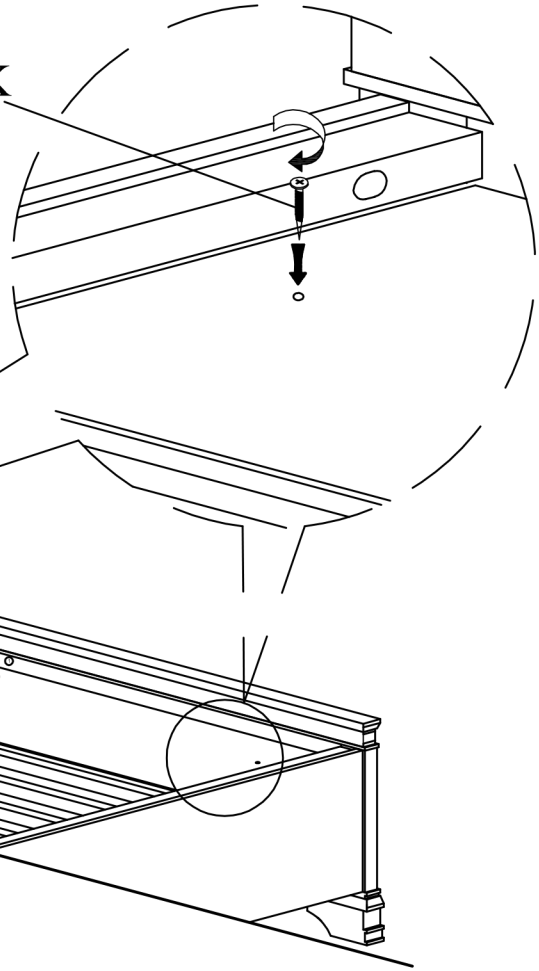


#13

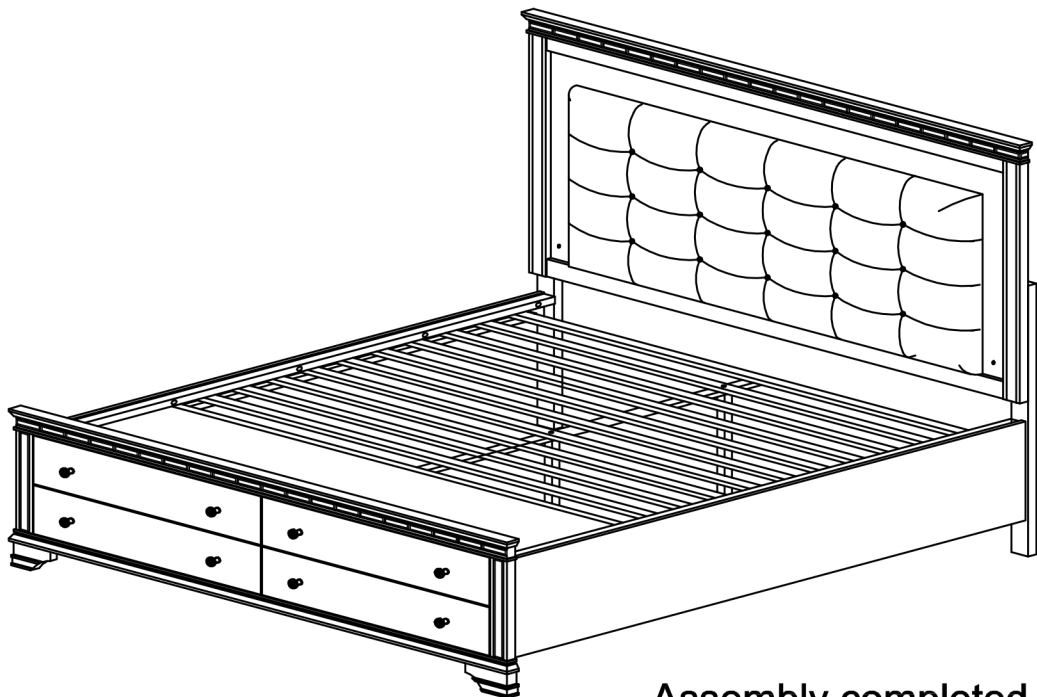
Secure by using screws (#K).

#K x 2pcs

#K



#14



Assembly completed.