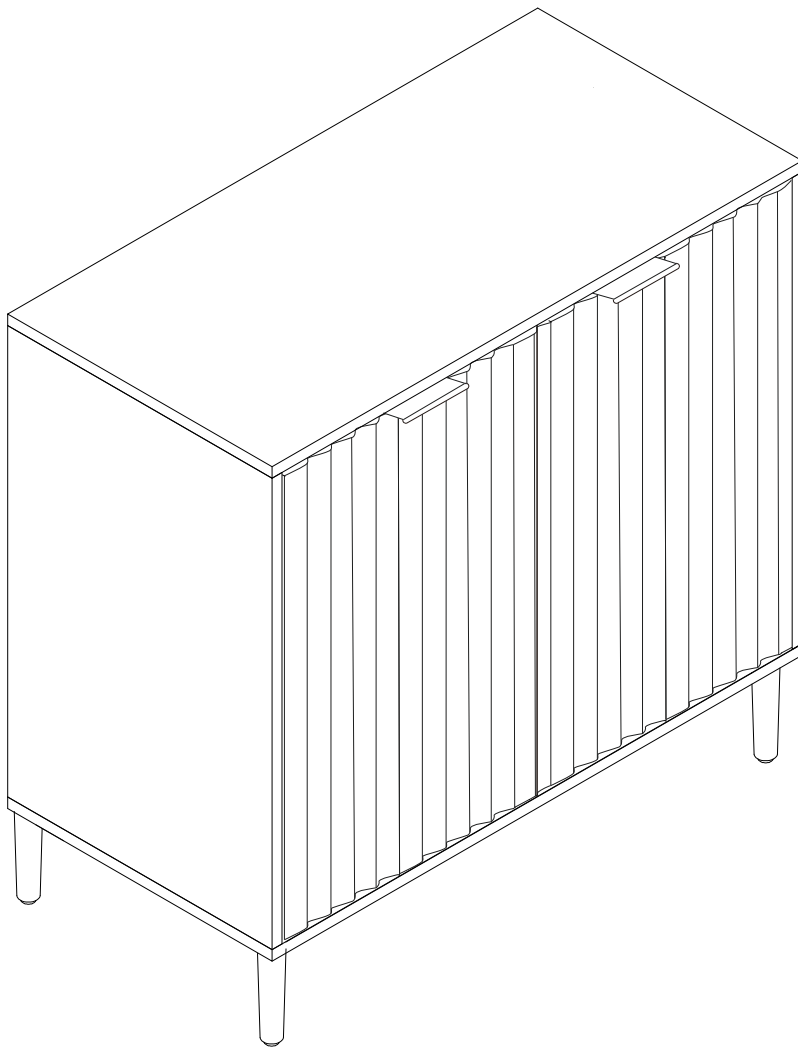


INSTRUCTION MANUAL



We stand behind we sell. If you are not satisfied with your purchase, you can return it for a replacement or refund.

For any further question don't hesitate to contact us. Email:

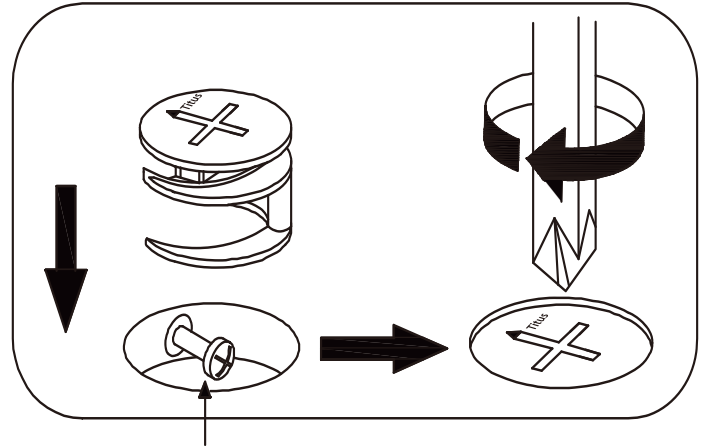
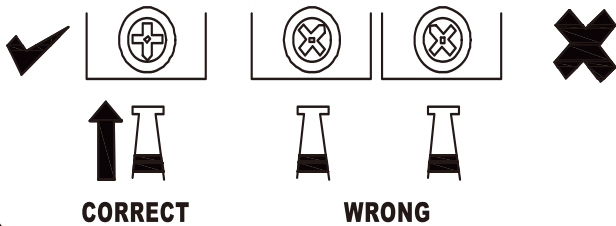
env-service@outlook.com

SPECIAL TIPS FOR FITTING CAM-LOCKS AND QUICKFIT

CAM-LOCK



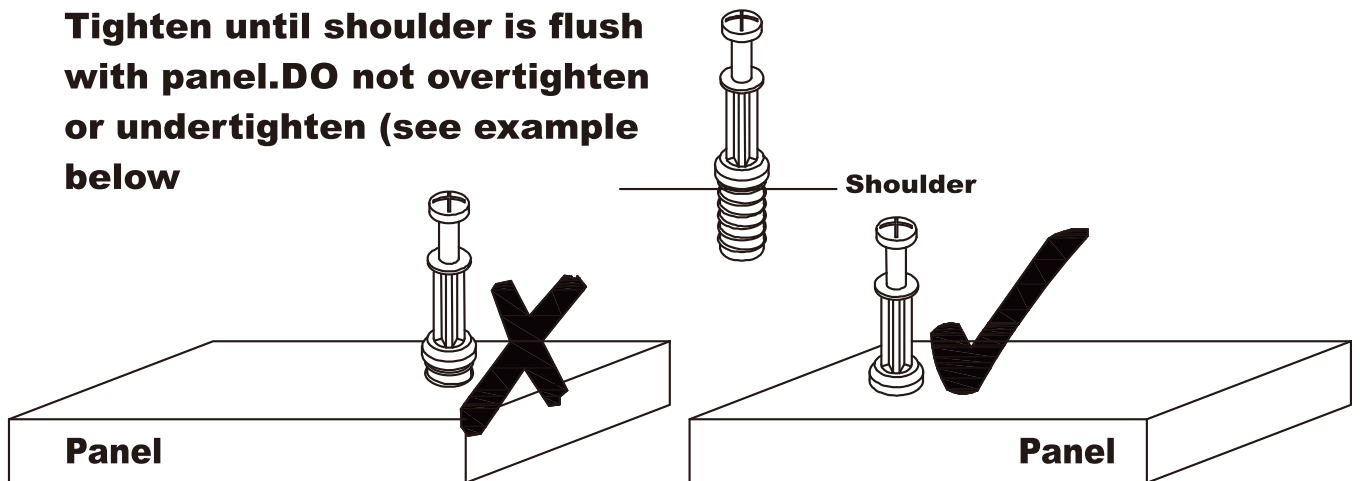
WHEN FITTING CAMLOCK
ENSURE STARTING POSITION IS CORRECT
BEFORE YOU INSERT CONNECTING QUICKFIT
TURN CLOCKWISE UNTIL SECURE



Quickfit head needs to be in centre

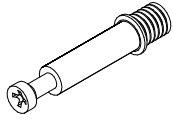
QUICKFIT

Tighten until shoulder is flush with panel. DO not overtighten or undertighten (see example below)



PART LIST

A x8+1



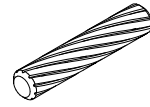
Ø6x35mm

B x8+1



Ø15*9.5MM

C x14+1



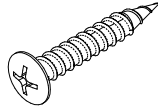
Ø6*30MM

D x16+1



Ø6x14mm

E x2



Ø4x35mm

F x24+2



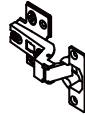
Ø3.5*12mm

G x4



Ø4x35mm

H x4



I x2



J x4

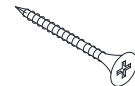
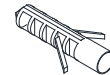


Ø3x12mm

K x1



L x1



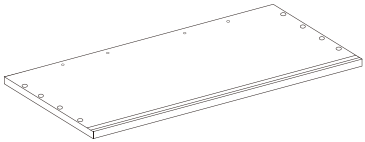
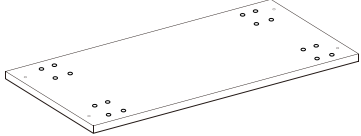
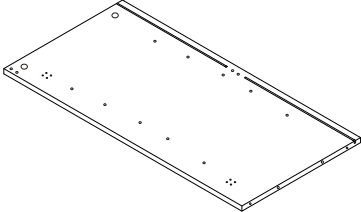
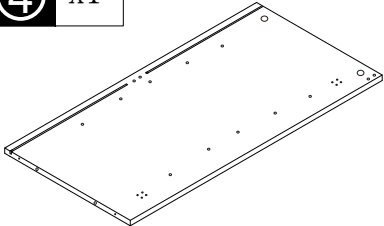
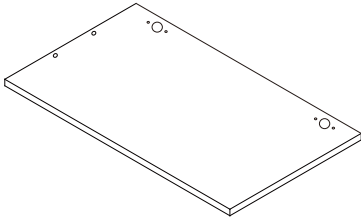
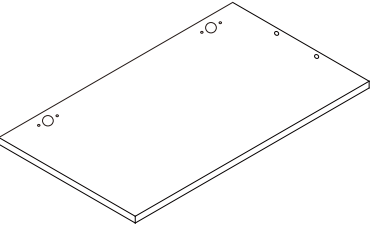
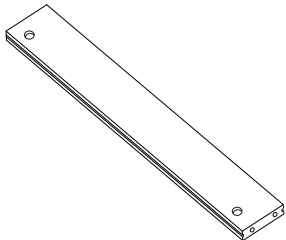
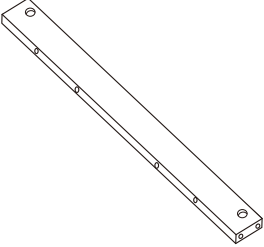
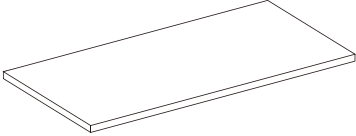
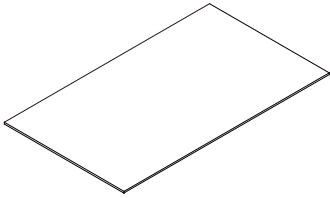
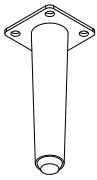
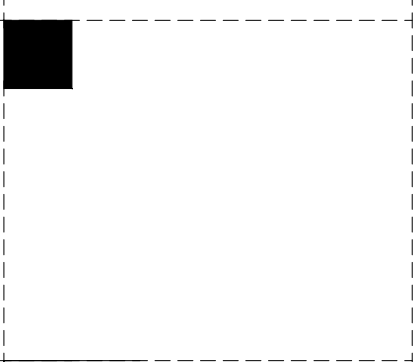
M x8



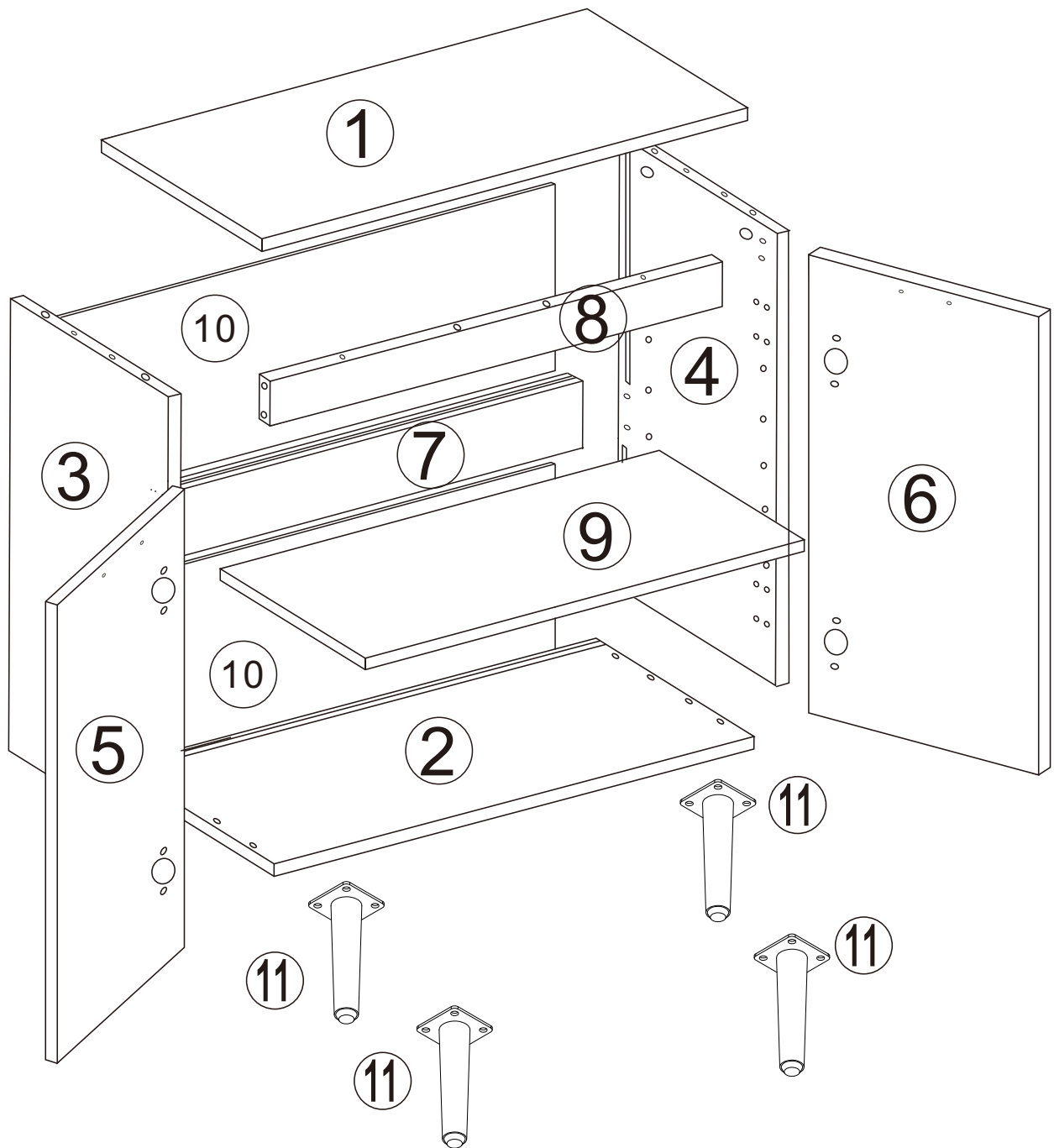
N x4




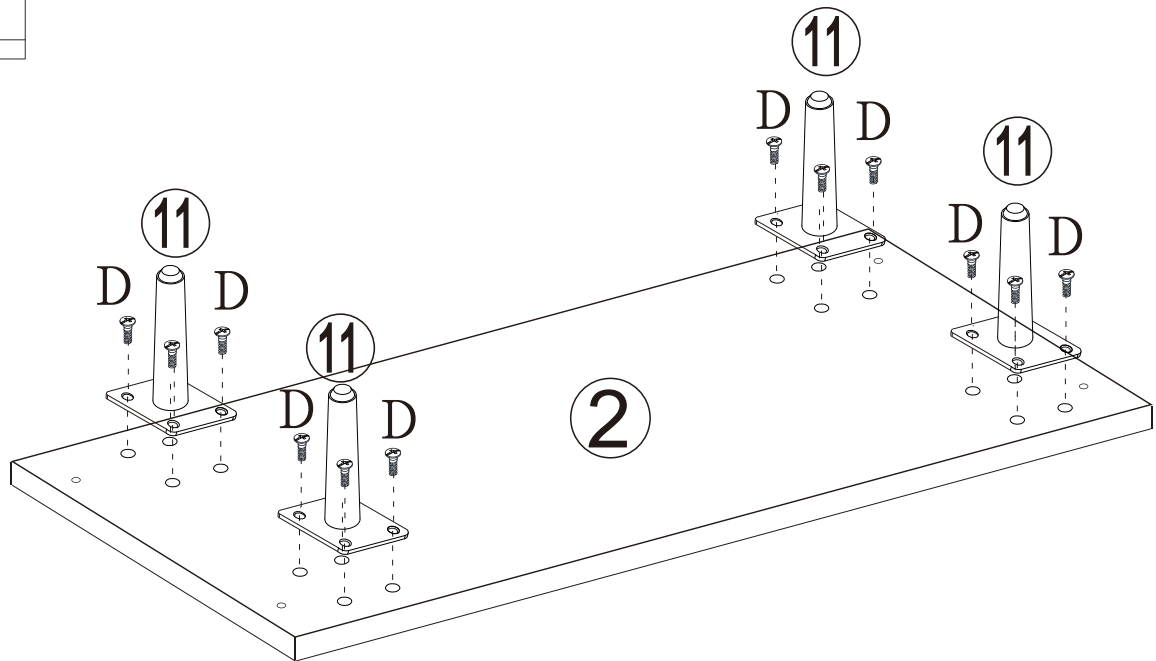
BOARD IDENTIFICATION

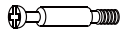
① x1 	② x1 	③ x1 
④ x1 	⑤ x1 	⑥ x1 
⑦ x1 	⑧ x1 	⑨ x1 
⑩ x2 	⑪ x4 	

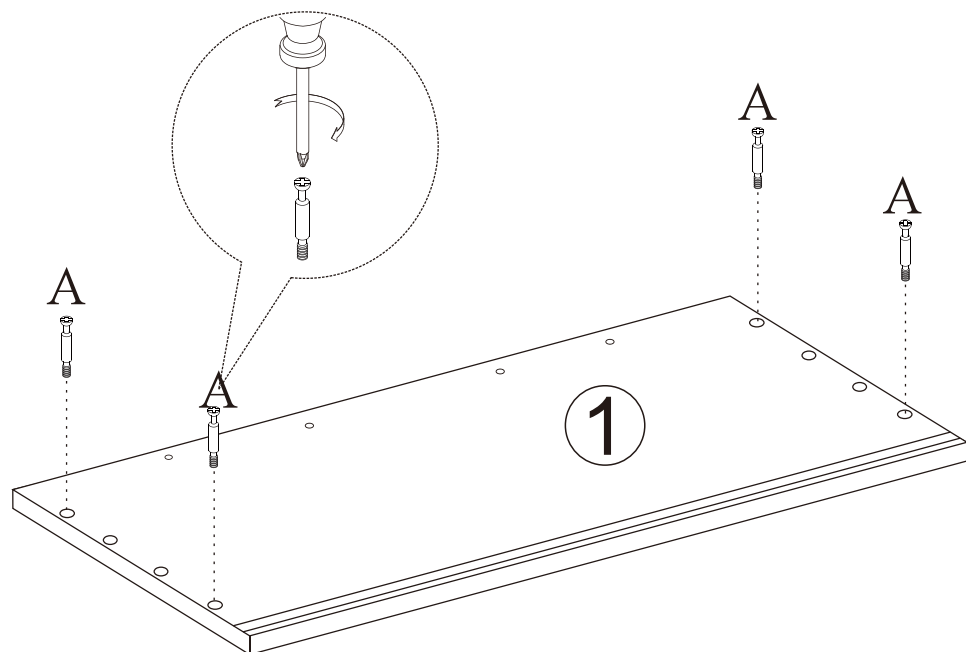
BOARD IDENTIFICATION

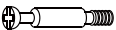


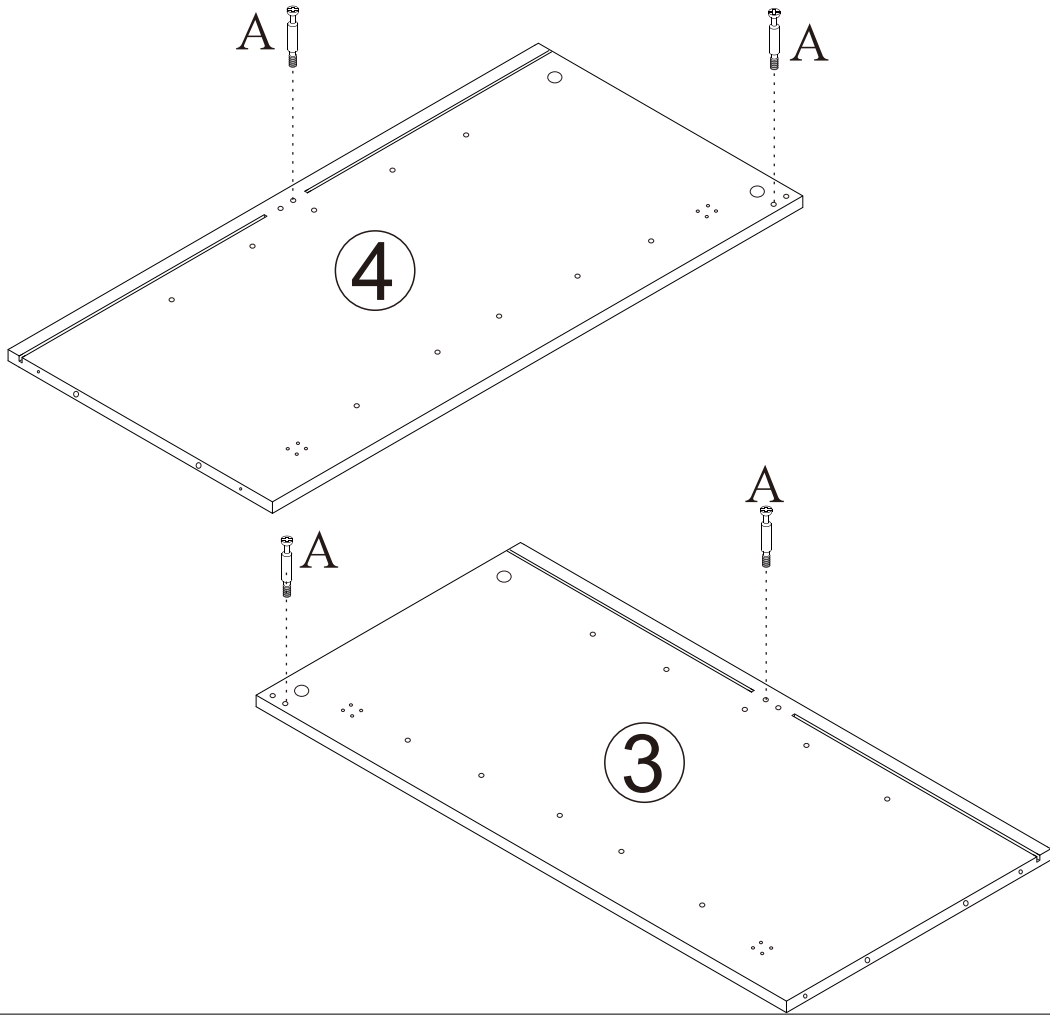
D	x16
	
Ø6x14mm	





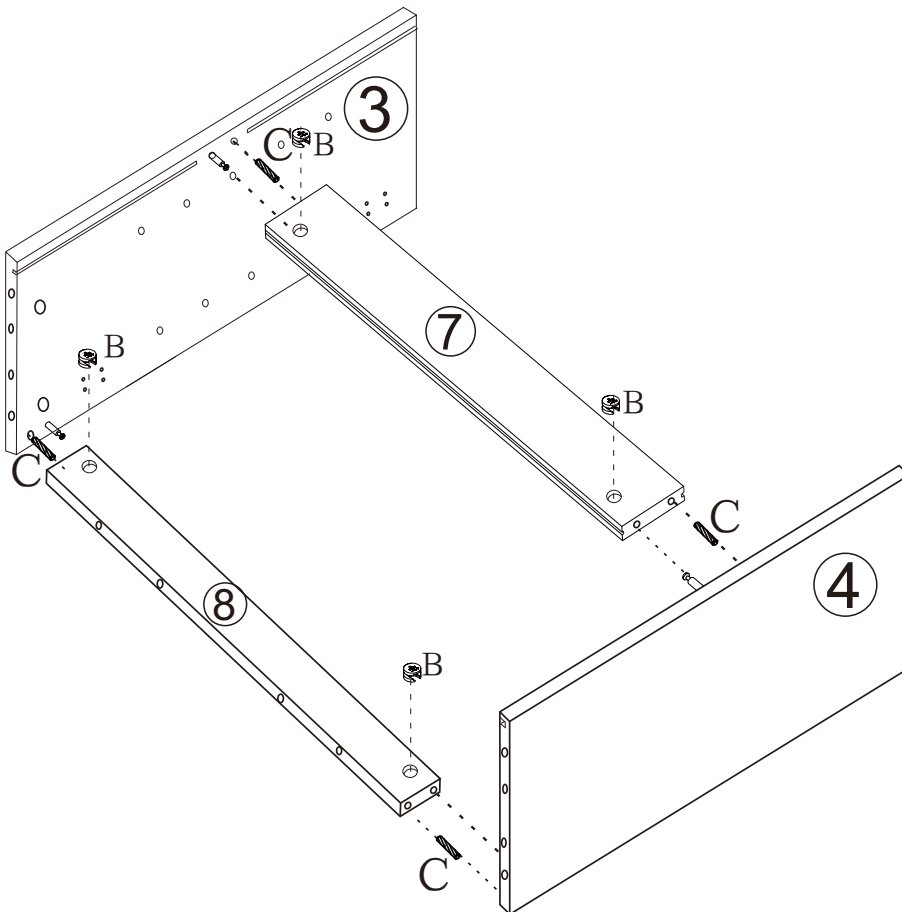
A	x4
	
Ø6x35mm	

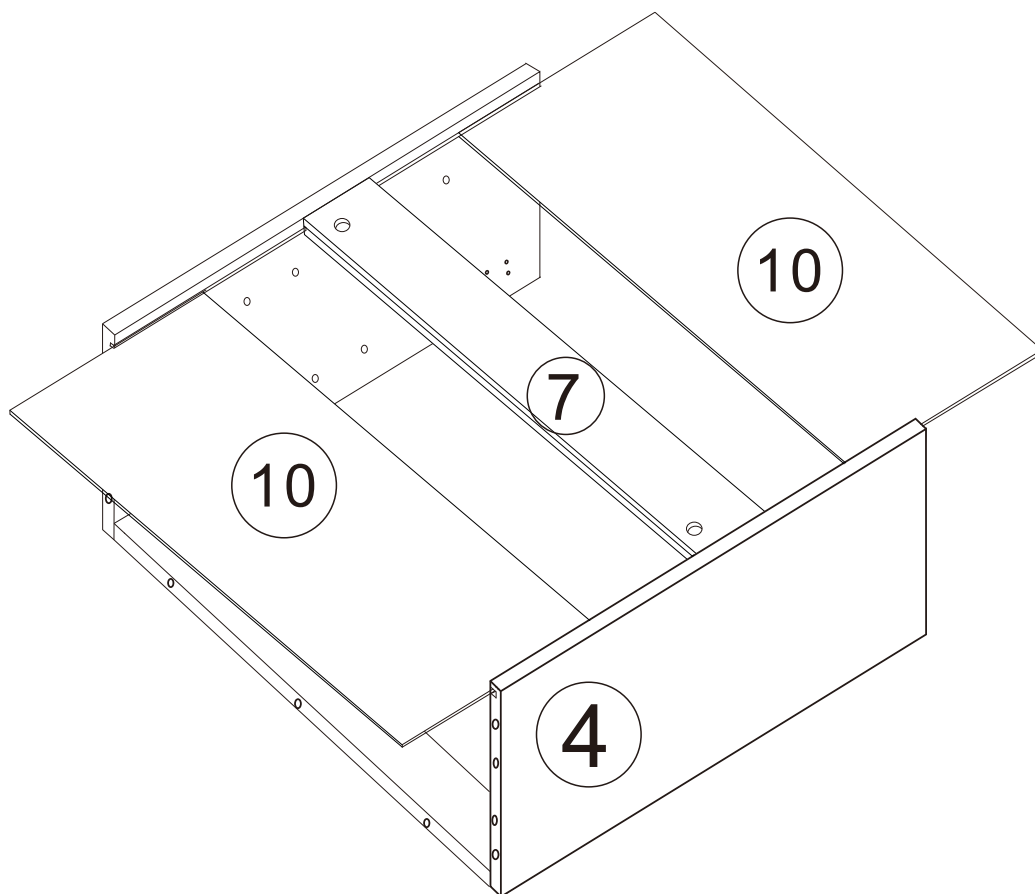




A	x4
	
Ø6x35mm	

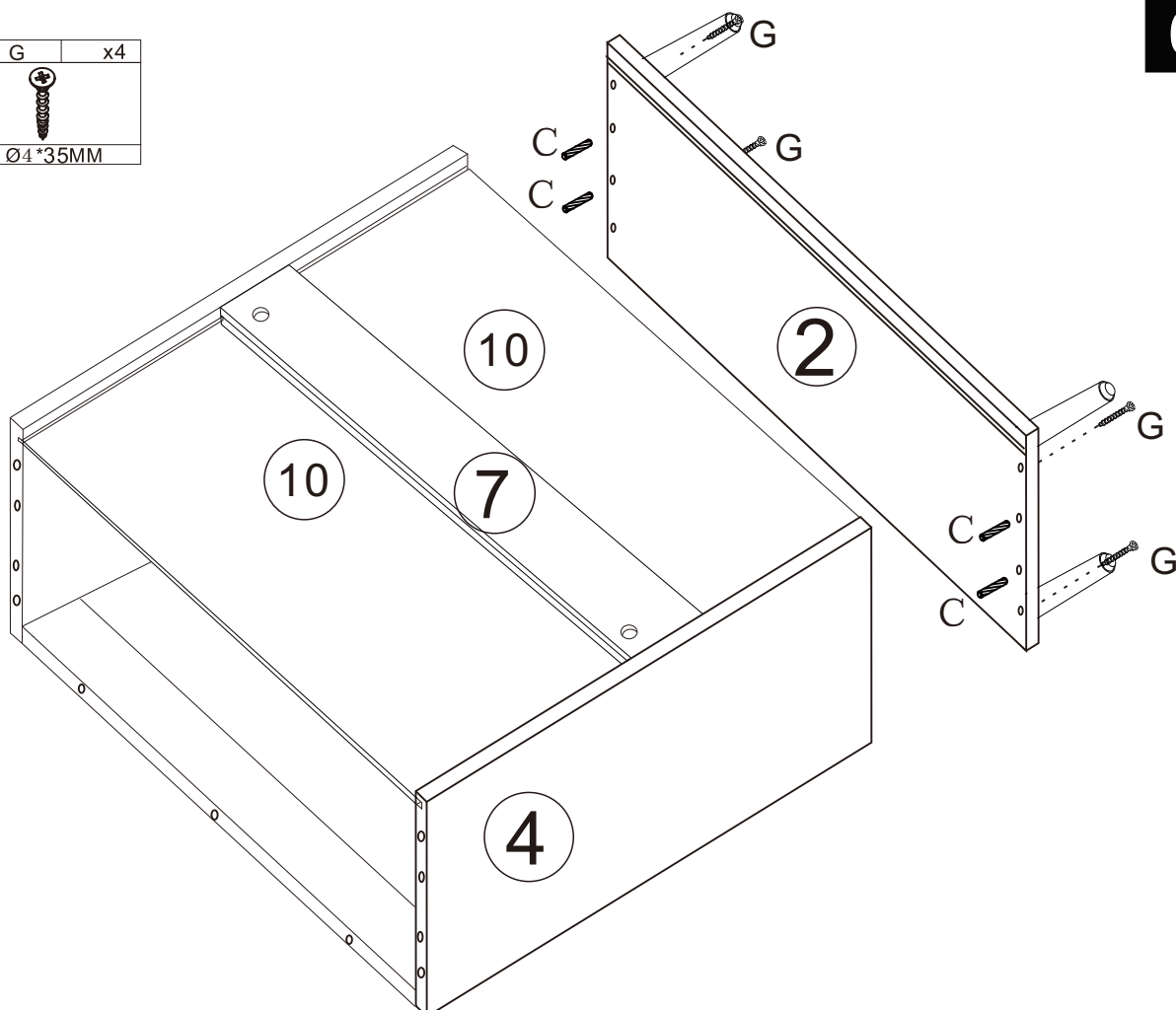





B	x4
	
Ø15*9.5MM	
C	x4
	
Ø6*30MM	

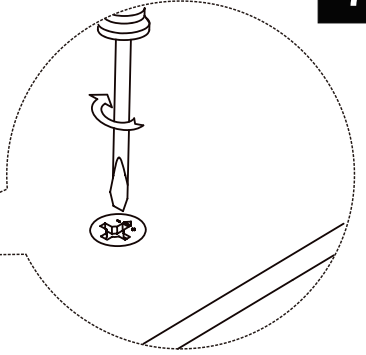
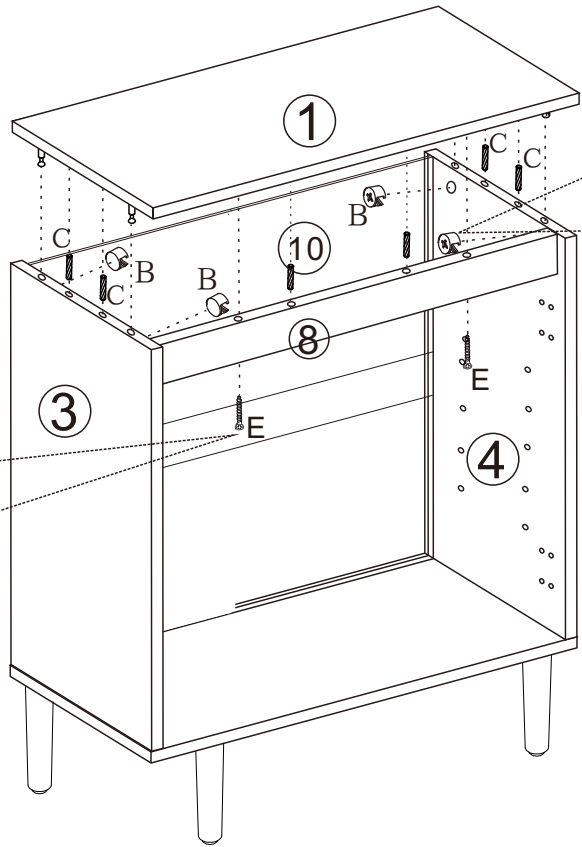
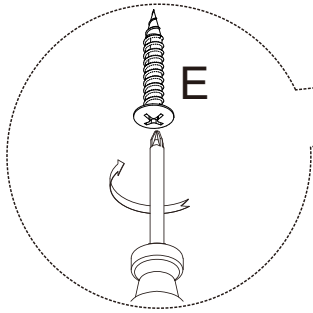






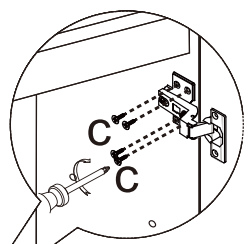
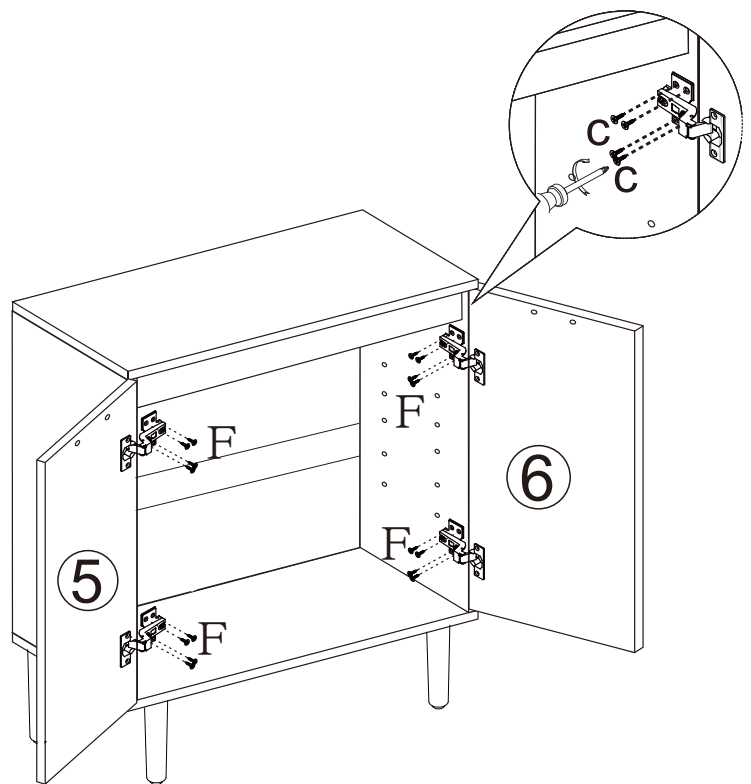
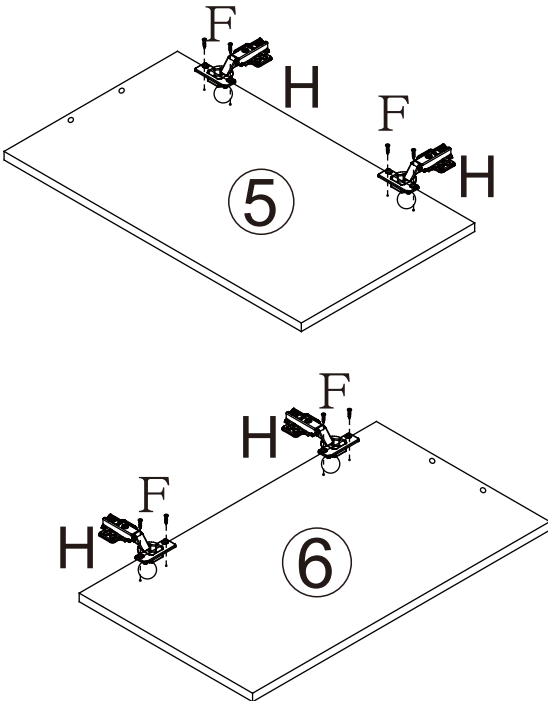
C	x4	G	x4
			
Ø6*30MM		Ø4*35MM	



B	x4	E	x2
			
Ø15*9.5MM		Ø4*35MM	
C	x6		
			
Ø6*30MM			



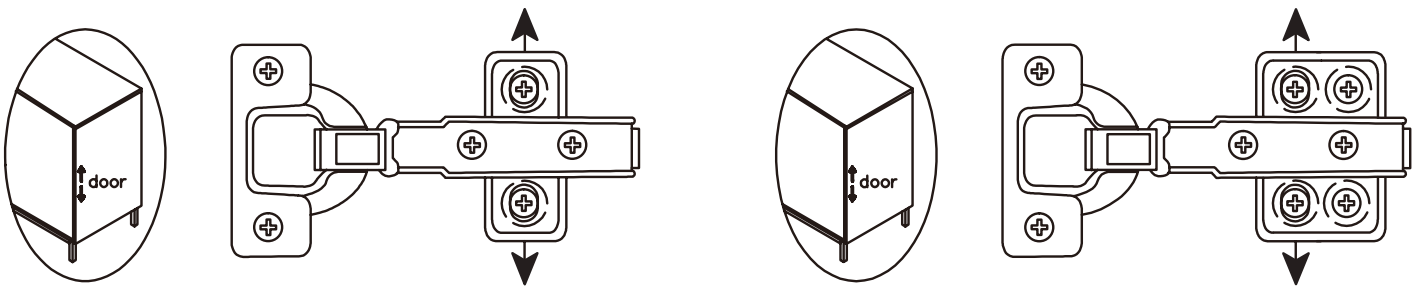
F	x24
	
Ø3.5*12mm	
H	x4
	



Is your cabinet door looking crooked or unevenly spaced?

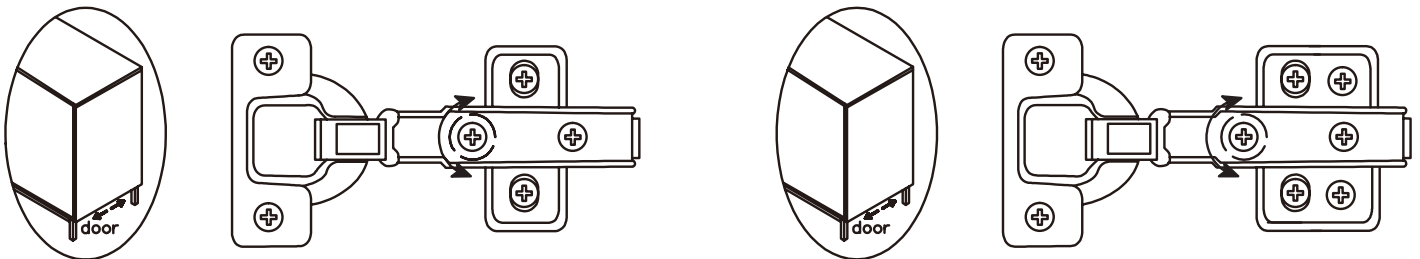
Then you've come to the right place. Follow the illustrations below to get your cabinet door aligned and ready for action.

If your door is too low or too high...



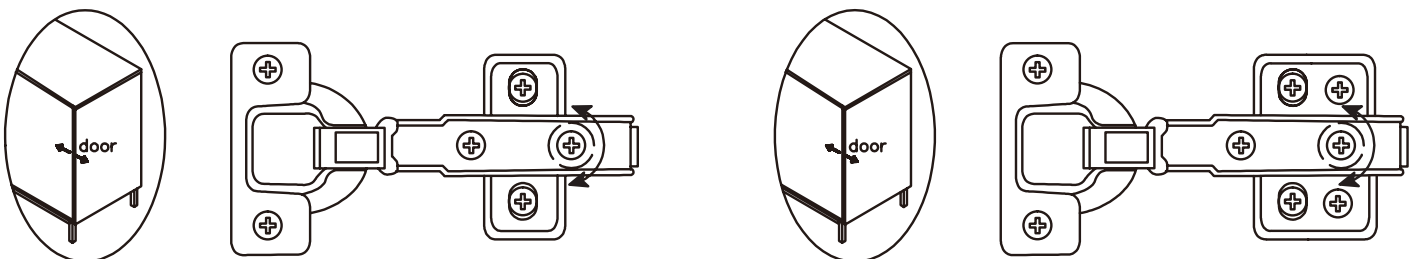
Loosen the height screws, then move the door up or down to make it level.

If the space between your doors is off...






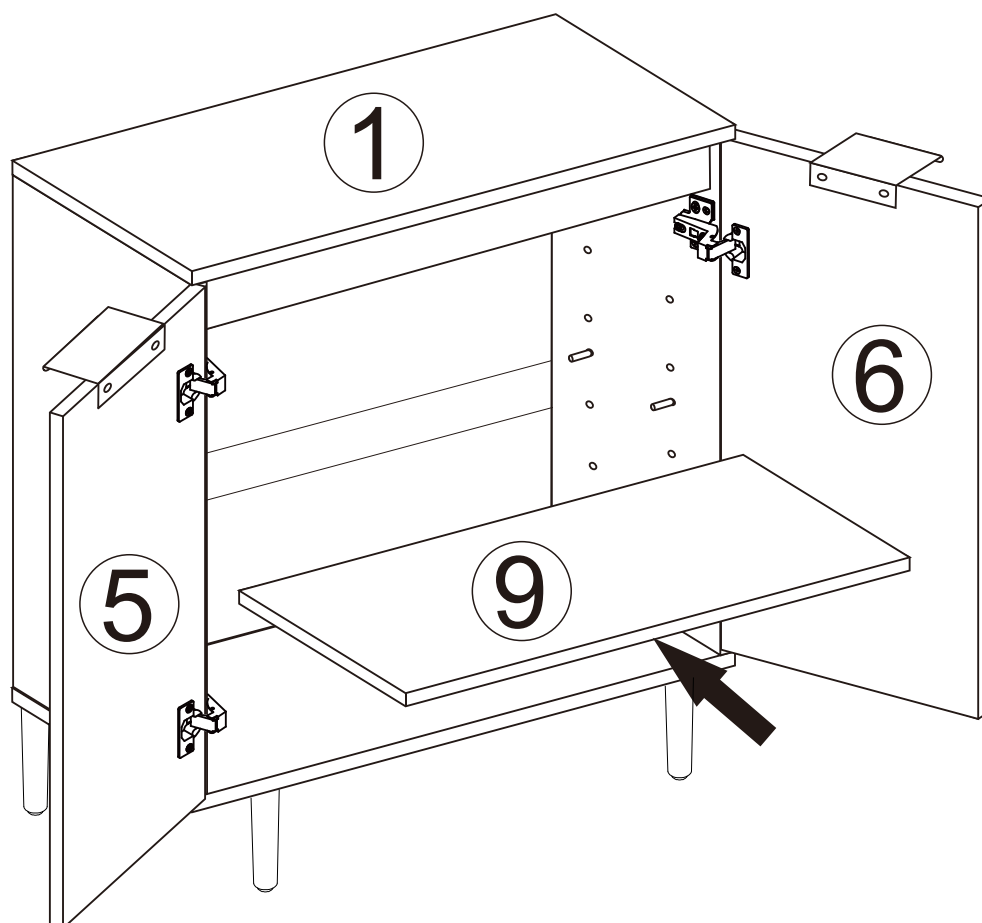
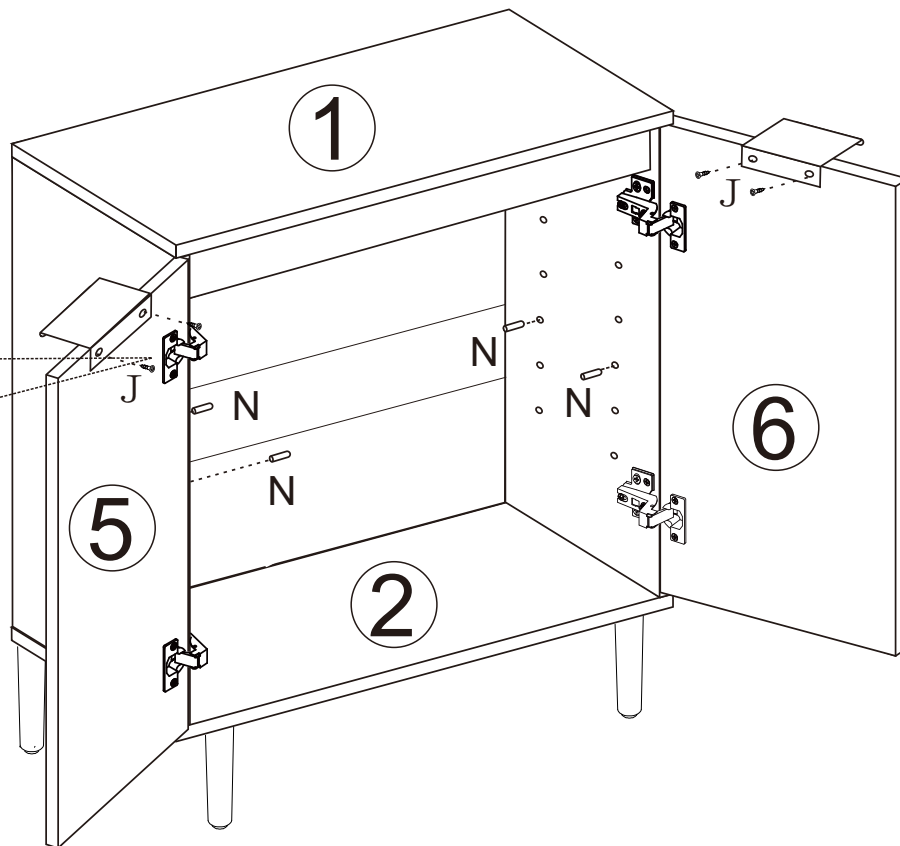
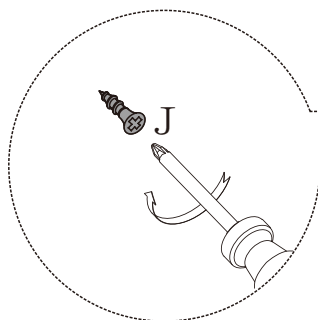
Loosen the side-to-side screws, then screw counter-clockwise to make the gap wider or clockwise to close any gaps.



If you need to adjust the depth of the doors...

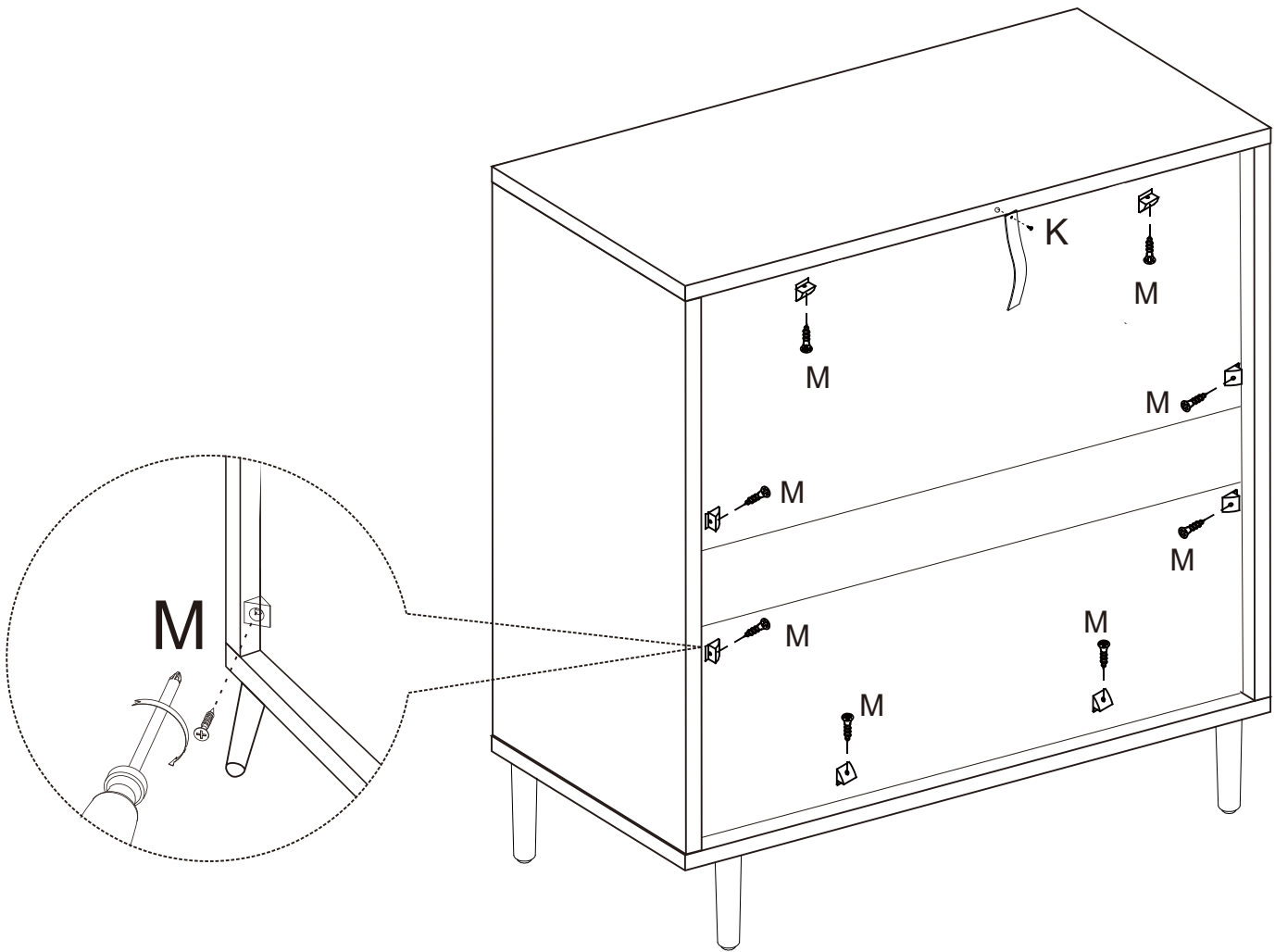




Adjust the in-and-out screws until the door is aligned with the side of the cabinet.

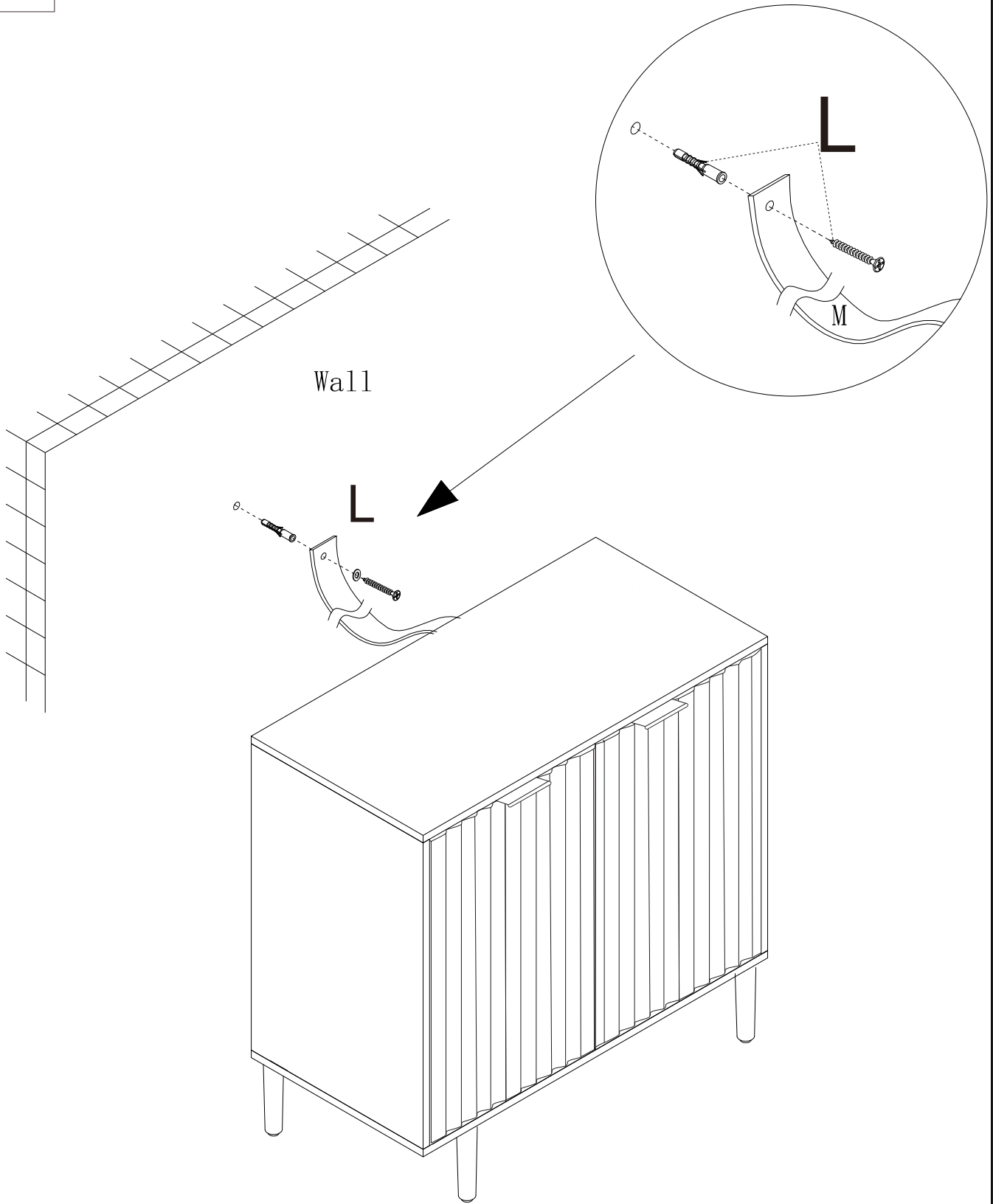
I	x2
	
J	x4
	
Ø3x12mm	
N	x4
	



K	x 1
	
Ø3x14mm	
M	x8
	



L	x 1
	



CONTACT US !

Do Not return this product

Contact our friendly customer service team first for help.

①



②



③



Call us/ Text us!
423-415-1682

env-service@outlook.com

Amazon Message

If you have any questions, please leave the order No. and related picture information, we will reply you within 24 hours, and solve the problem as soon as possible.