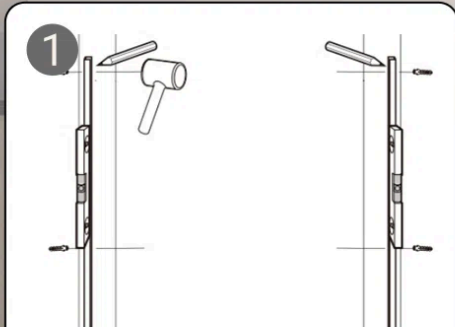


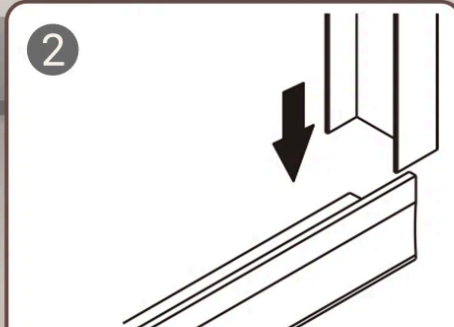
HASSLE-FREE SETUP GUIDE

1



Measure your width and height

2



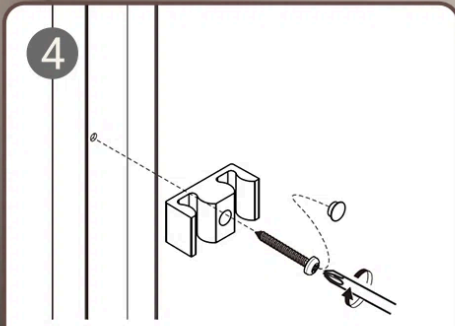
Install wall profiles

3



Mark and drill wall profile holes

4



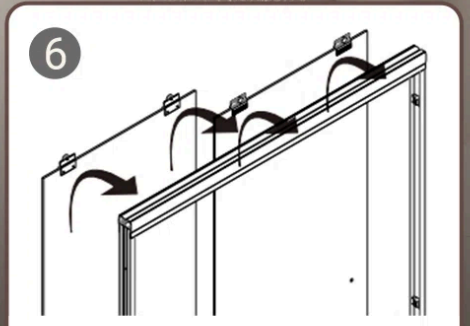
Insert and secure glass blocks

5



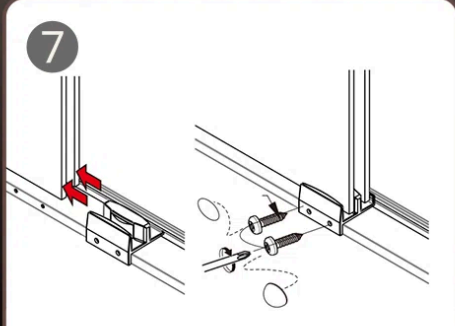
Attach top rail with screws

6



Insert rollers into inner guide

7



Place guide block and secure

8



Install handles securely

9



Seal frame using silicone