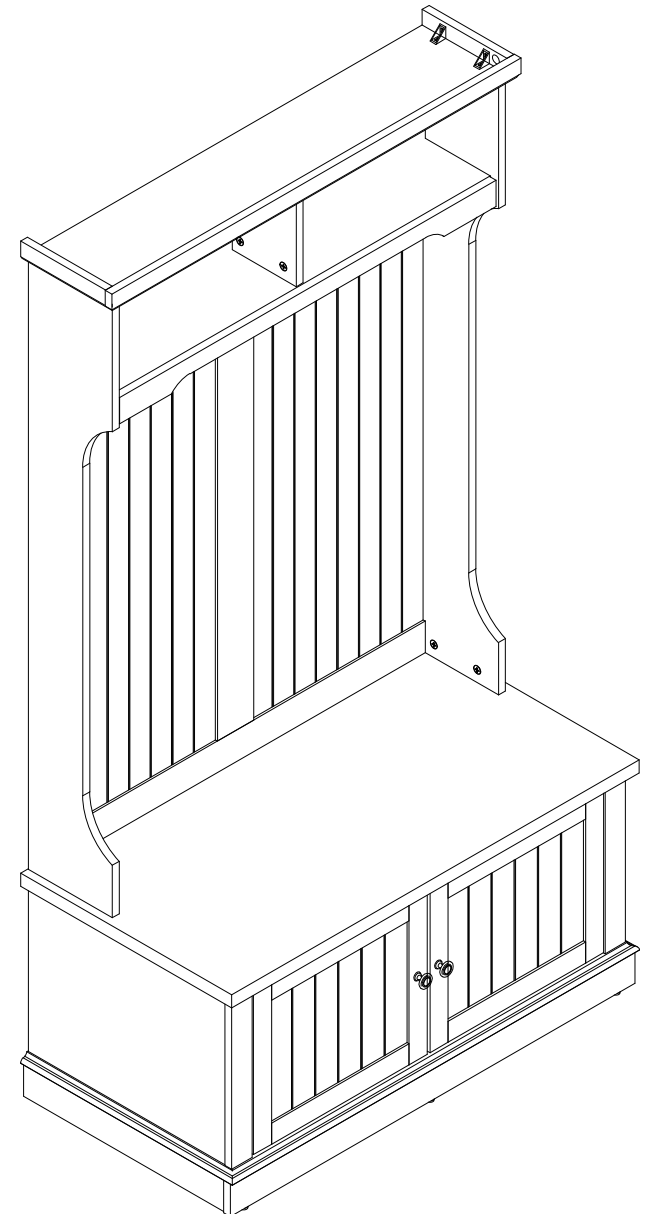
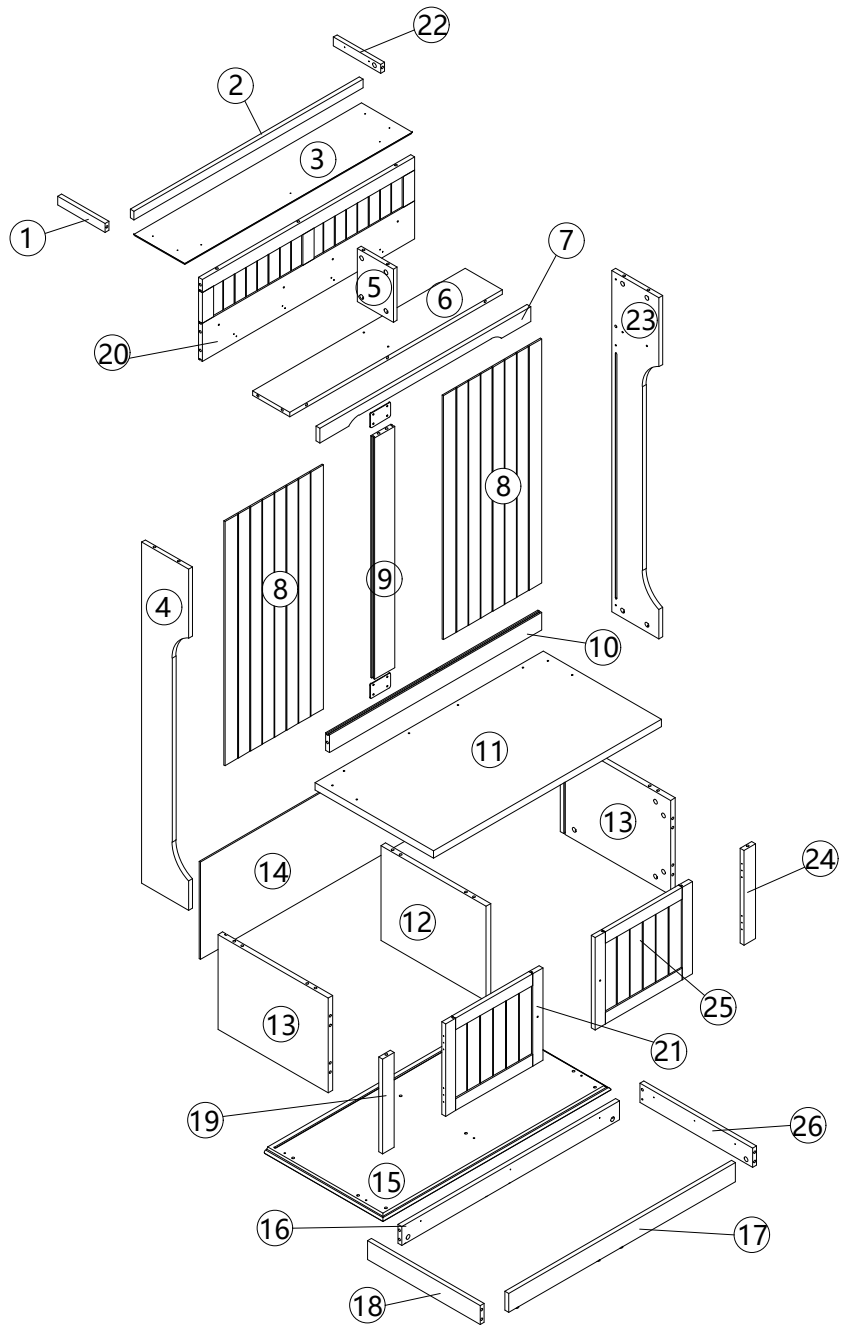
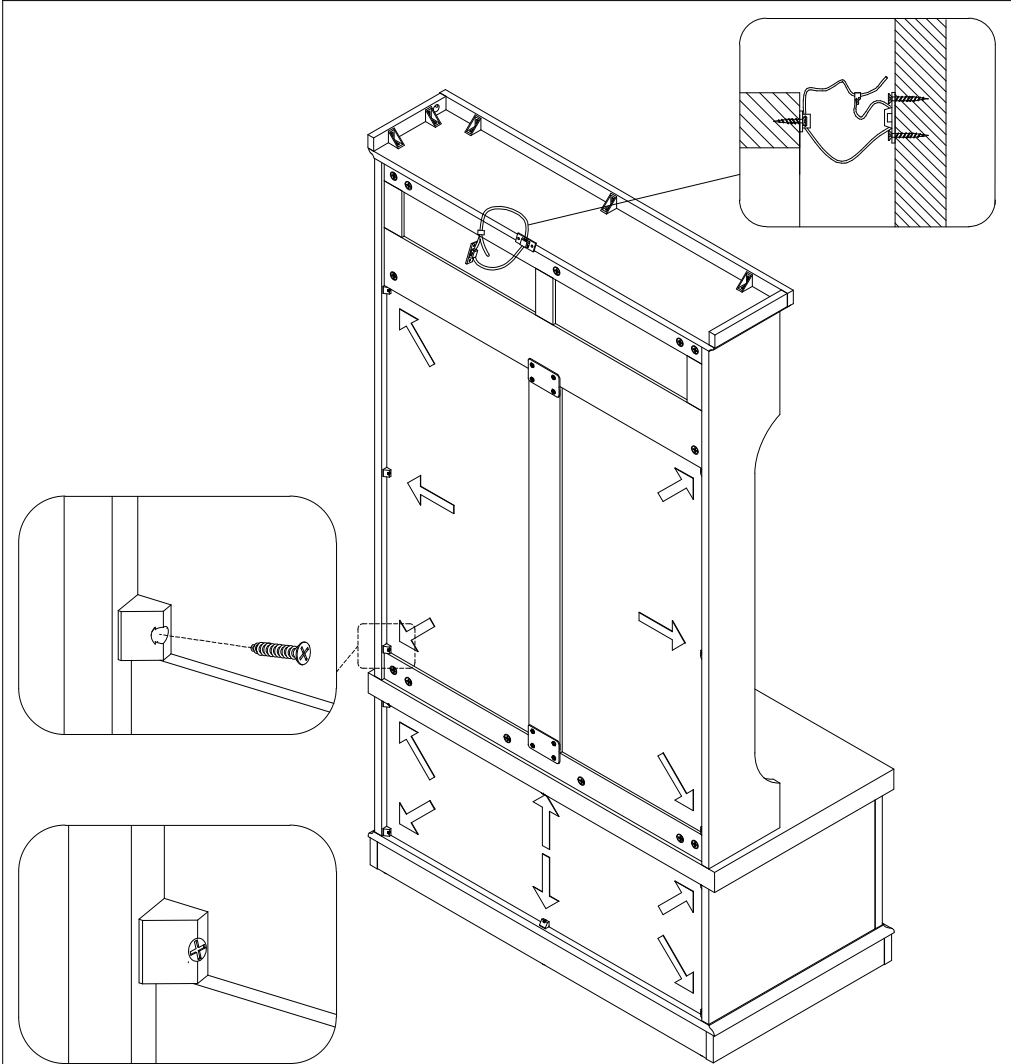


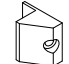


Assembly Instructions



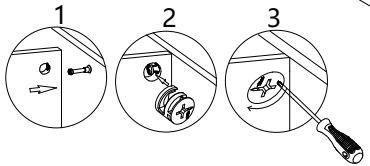
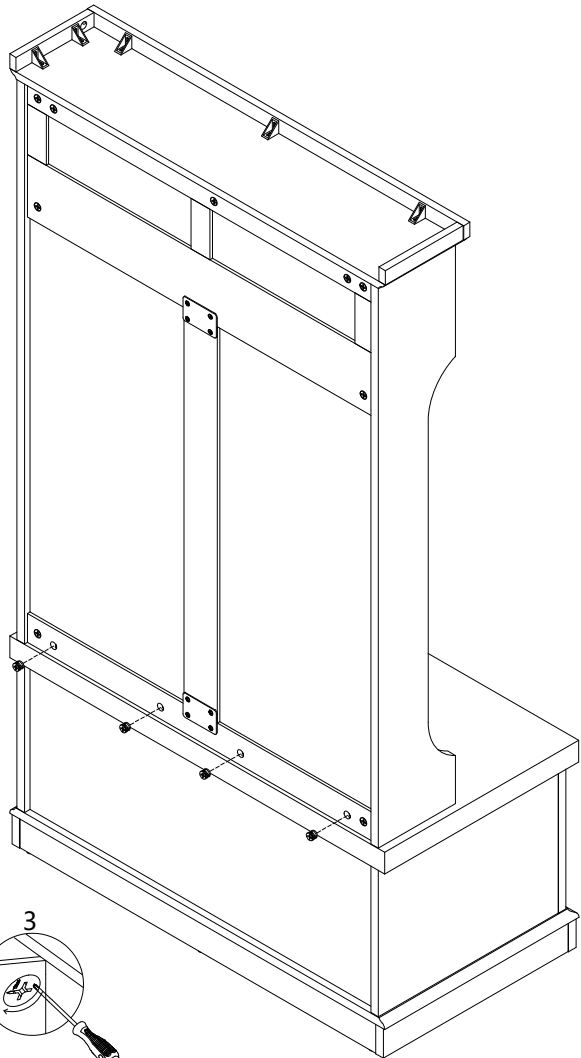


27



- | | | | | | |
|-----|---|-------|-----|---|------|
| (R) |  | [x12] | (P) |  | [x1] |
| (S) |  | [x12] | | | |

26

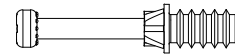


(B)



[x4]

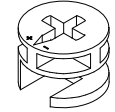
x58



(A)

34mm

x58



(B)

Ø15*12mm

x26



(C)

Ø8*30mm

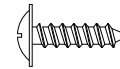
x4



(D)

Ø8*40mm

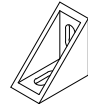
x50



(E)

Ø3.5*12mm

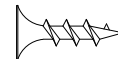
x19



(F)

26*26*16mm

x8



(G)

Ø4*15mm

x4



(H)

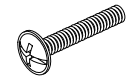
x2



(L)

Ø28*20mm

x2

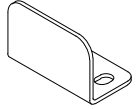


(M)

M4*25mm

25

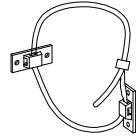
x2



30*20*18mm

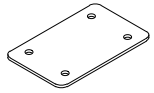
(N)

x1



(P)

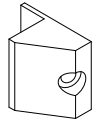
x2



80*50*2mm

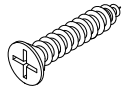
(Q)

x12



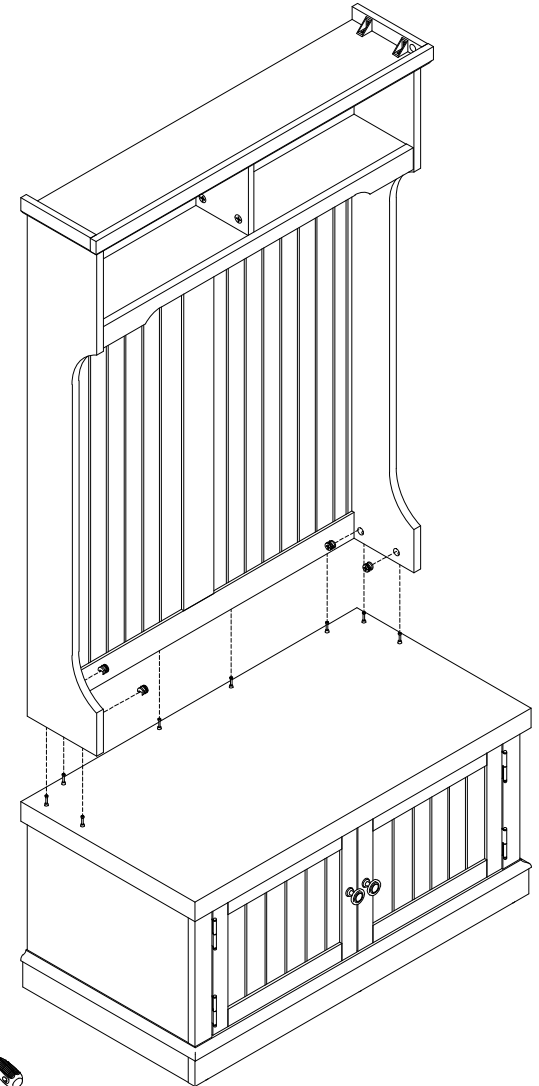
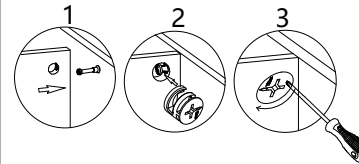
(R)

x12



Ø3*18mm

(S)

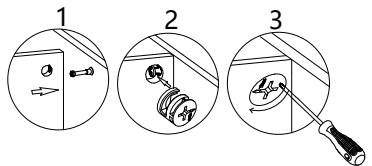
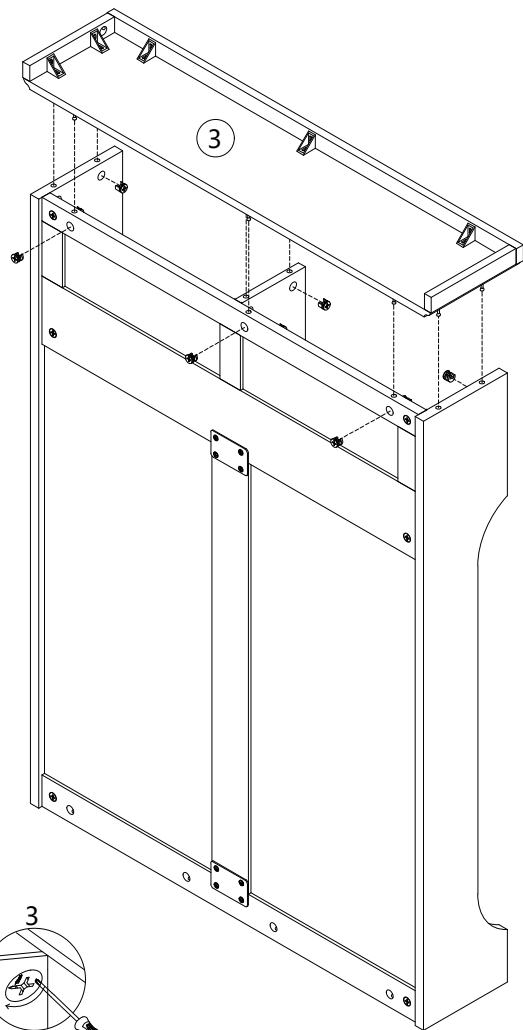


(B)



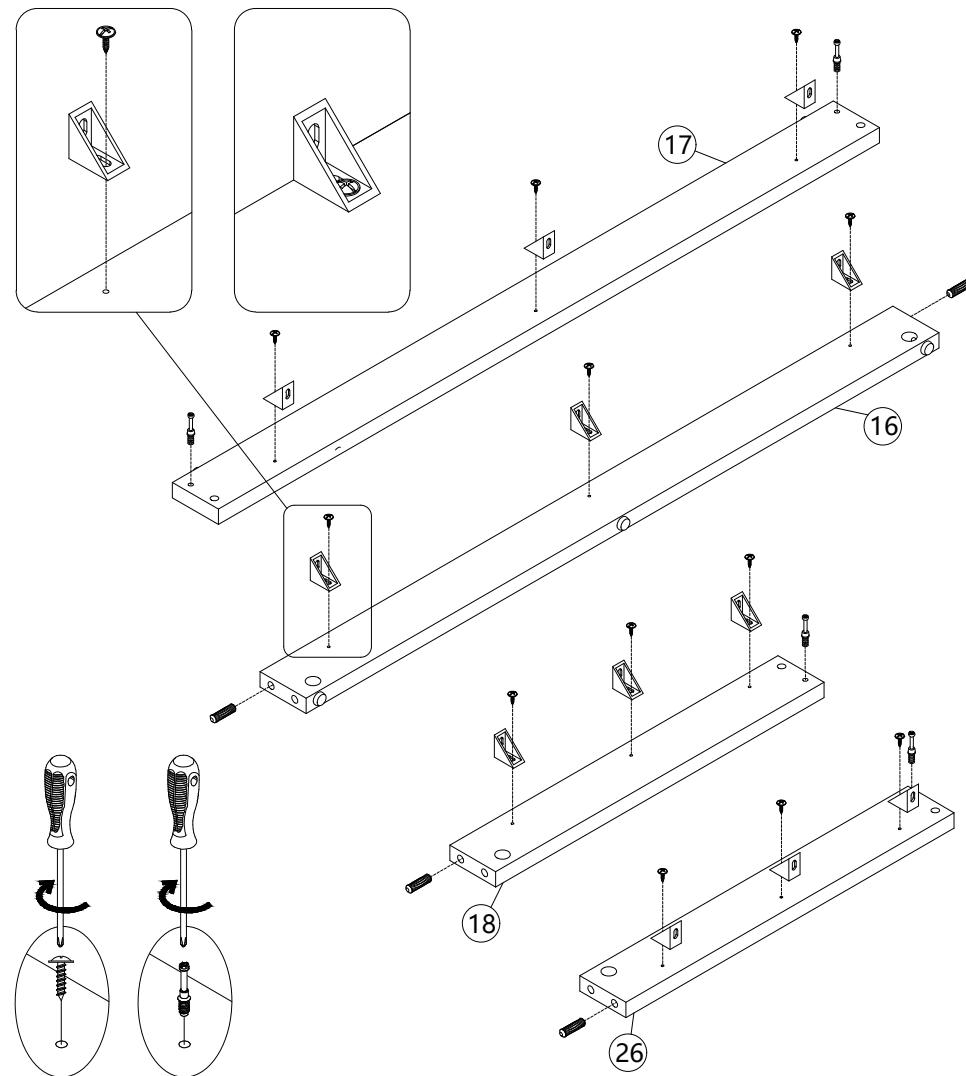
[x4]

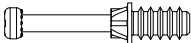


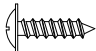
24



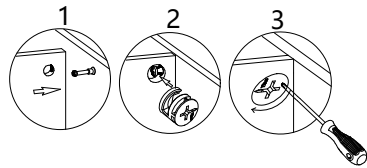
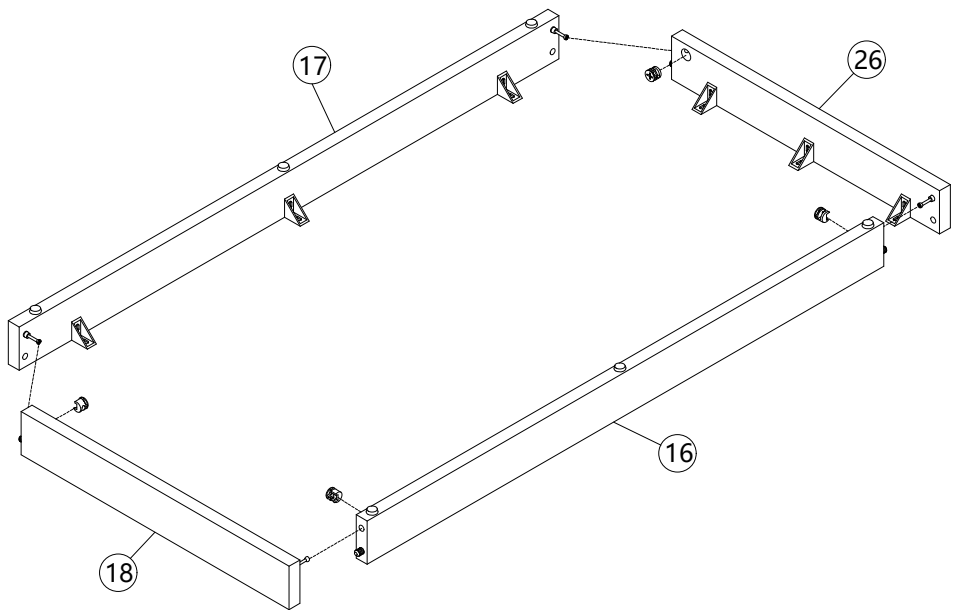
(B)  [x9]

1



(A)		[x4]	(F)		[x12]
(C)		[x4]	(E)		[x12]

2

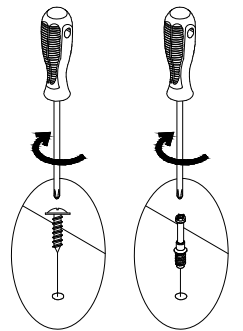
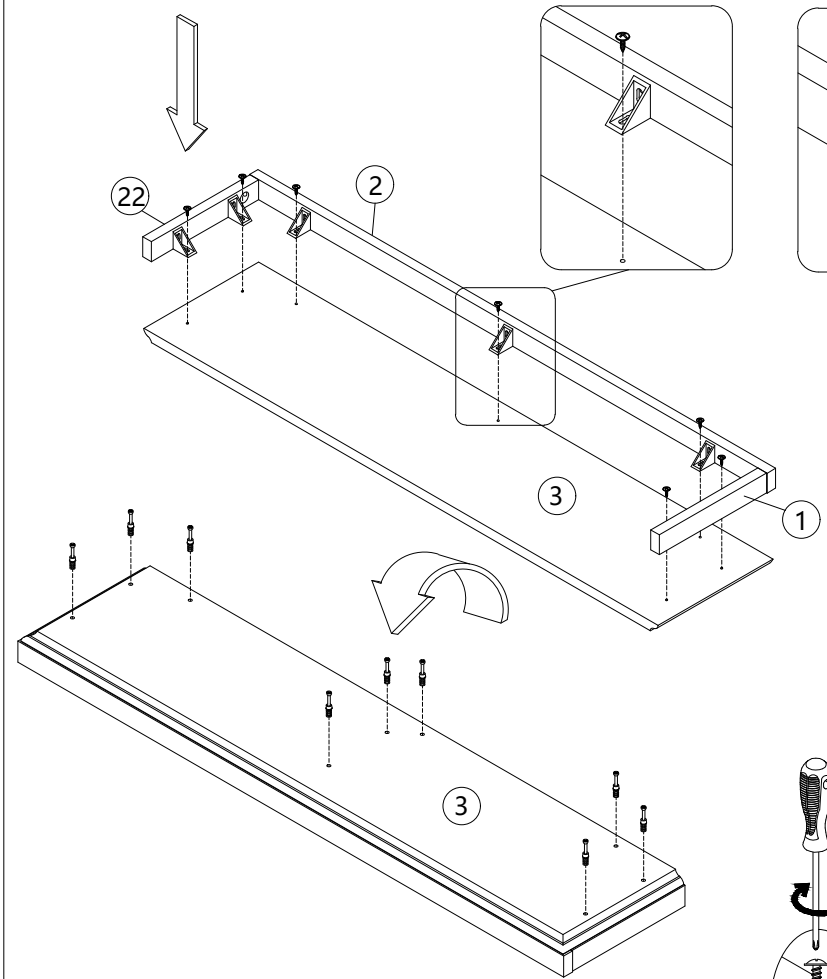


(B)



[x4]

23

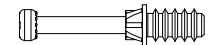


(E)



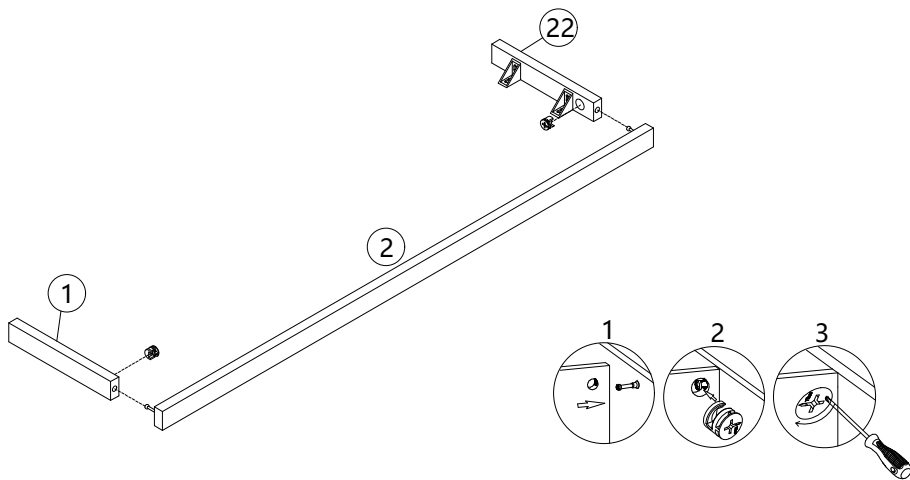
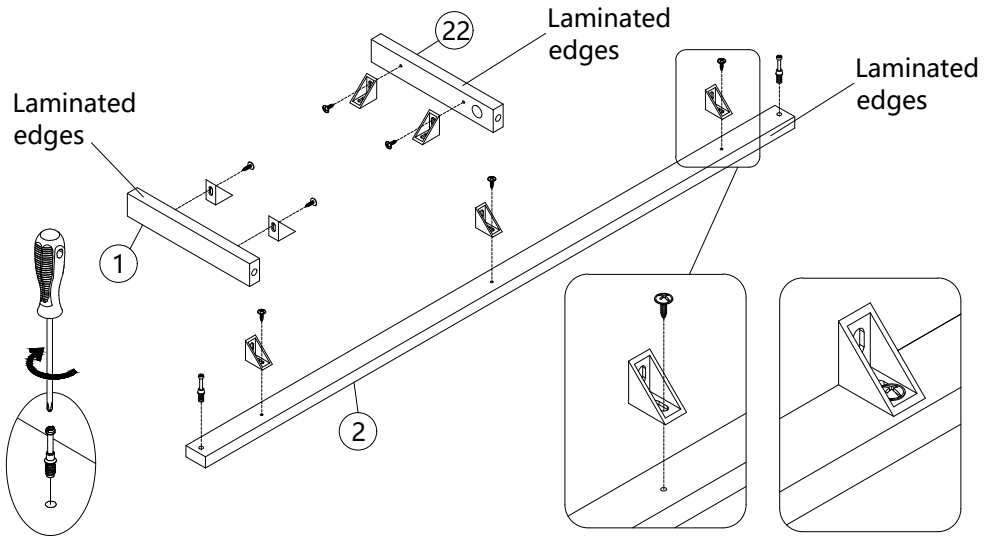
[x7]

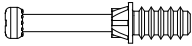
(A)



[x9]


22



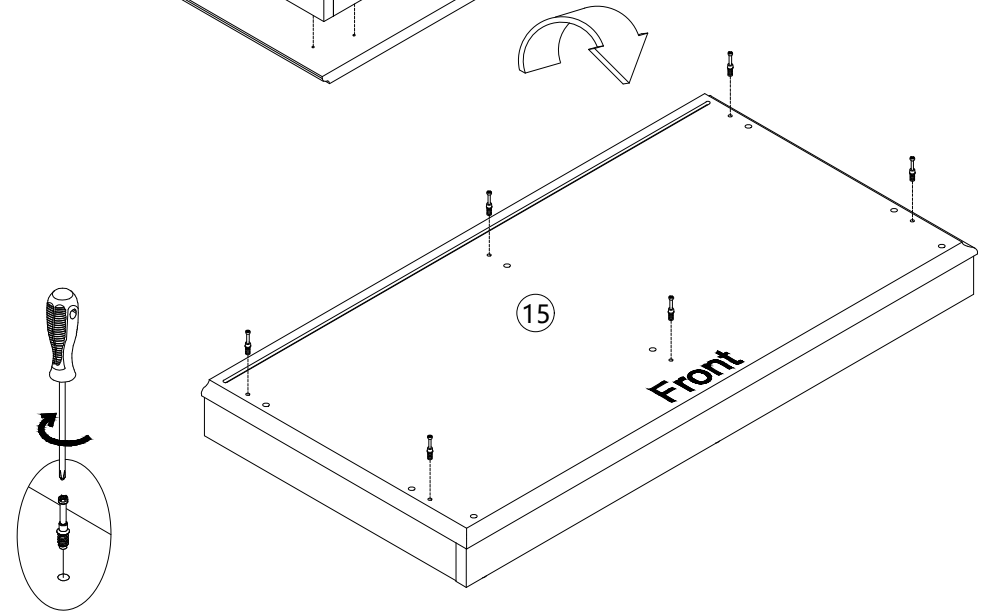
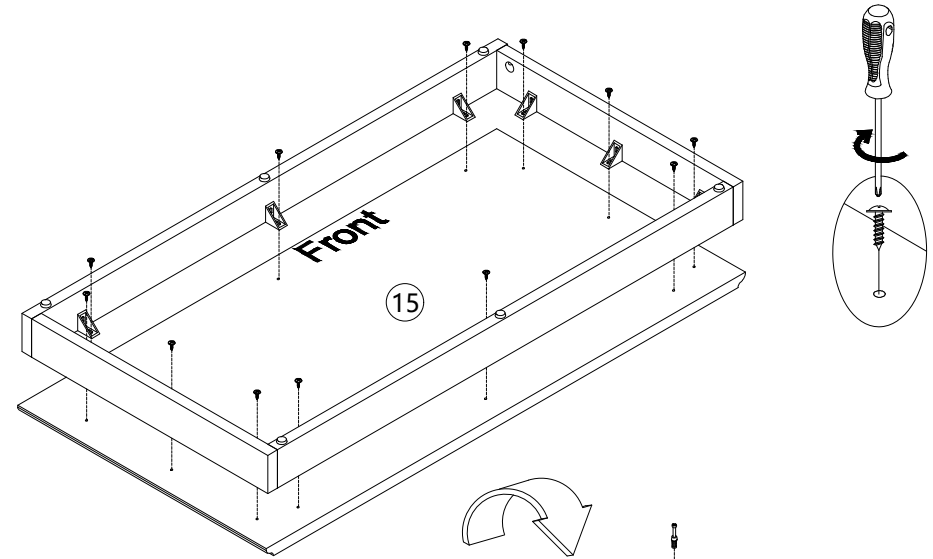
A  [x2]

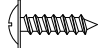
F  [x7]

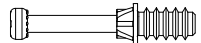
B  [x2]

E  [x7]

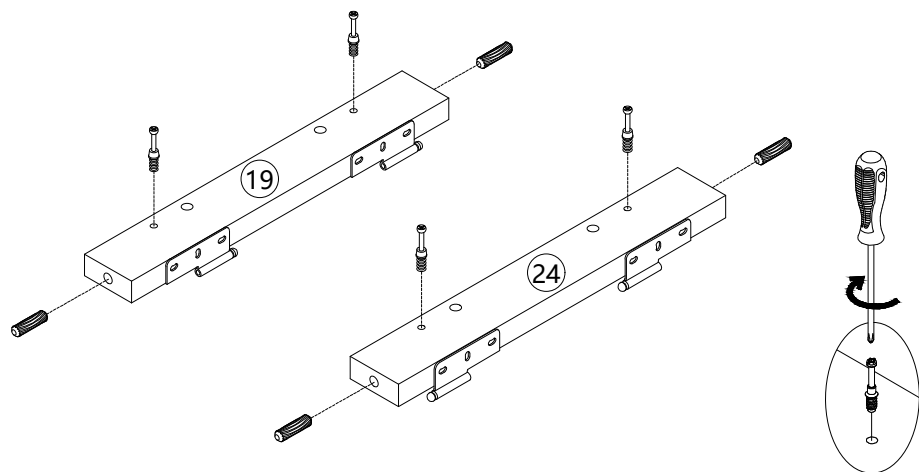
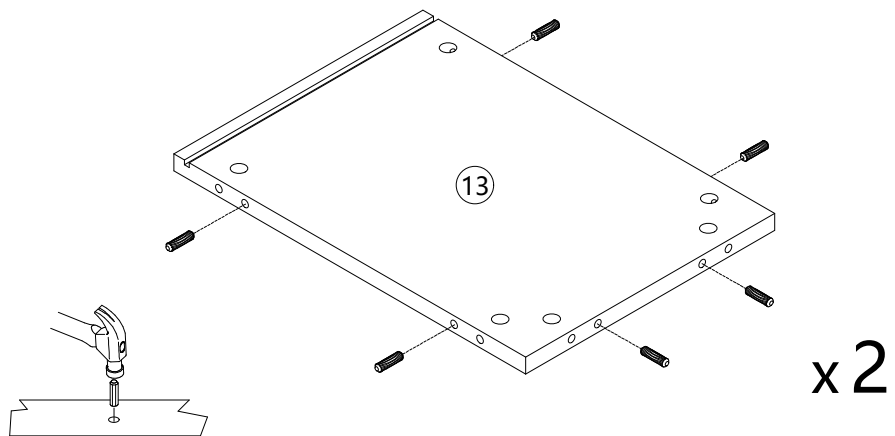
3



E  [x12]

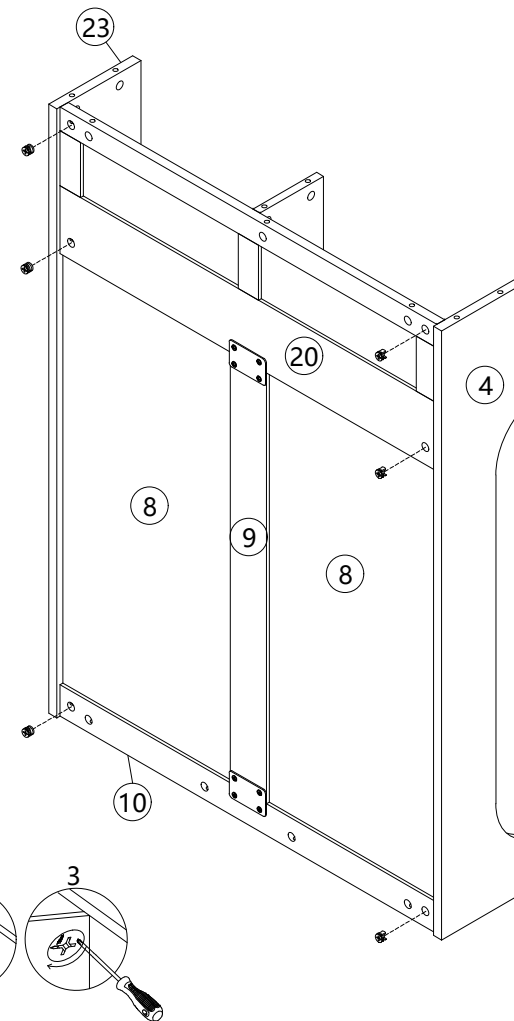
A  [x6]

4



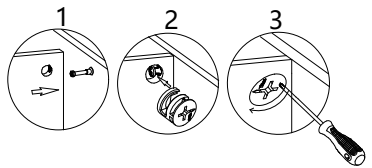
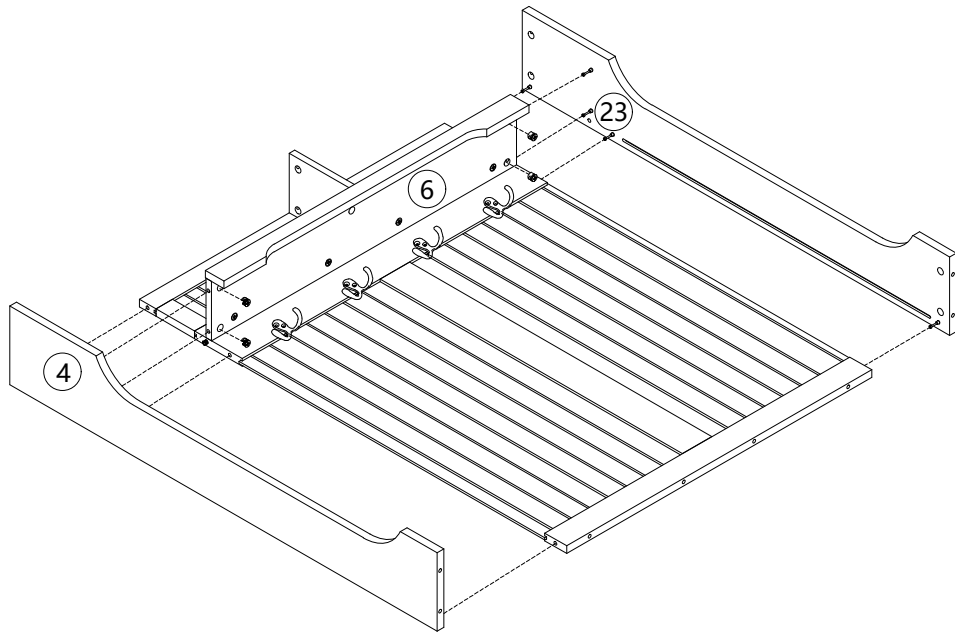
(A) [x4] (C) [x16]

21



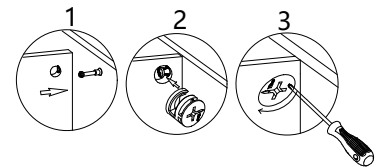
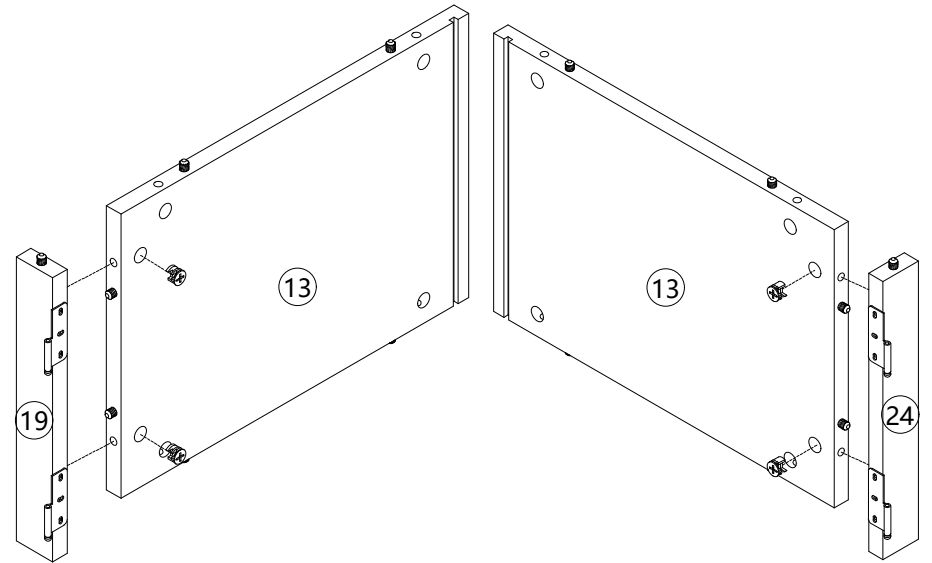
(B) [x6]

20



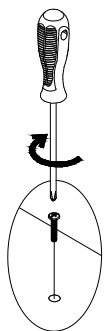
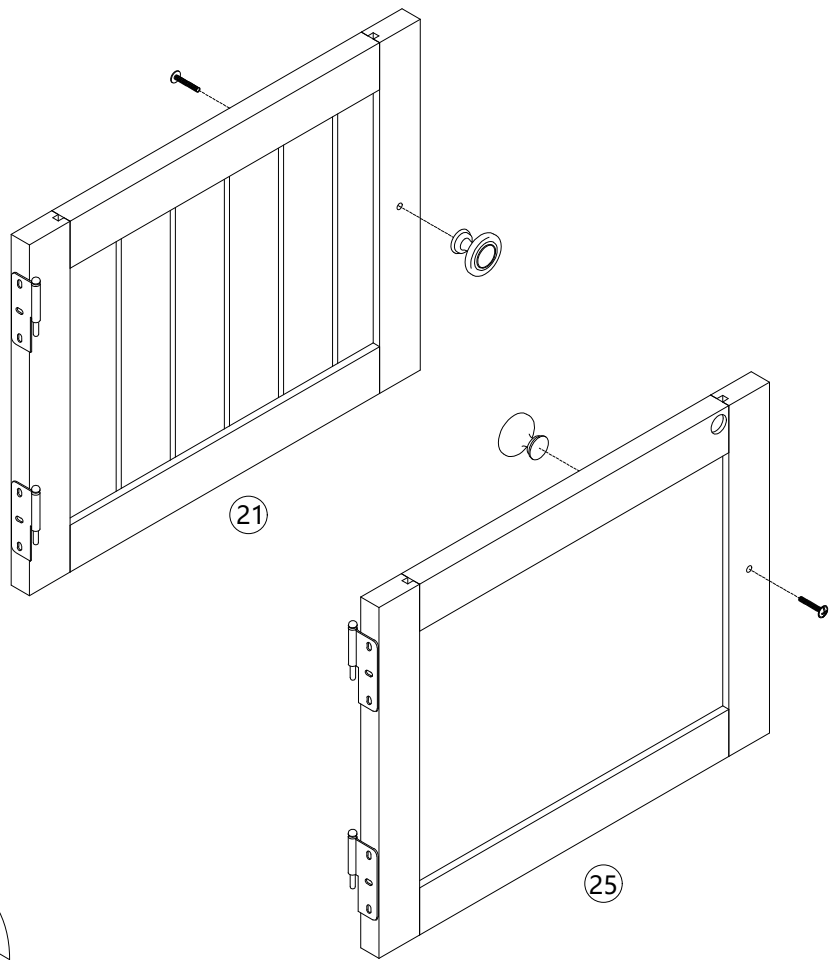
(B)  [x4]

5



(B)  [x4]

6



(M)



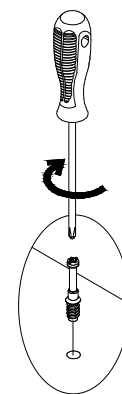
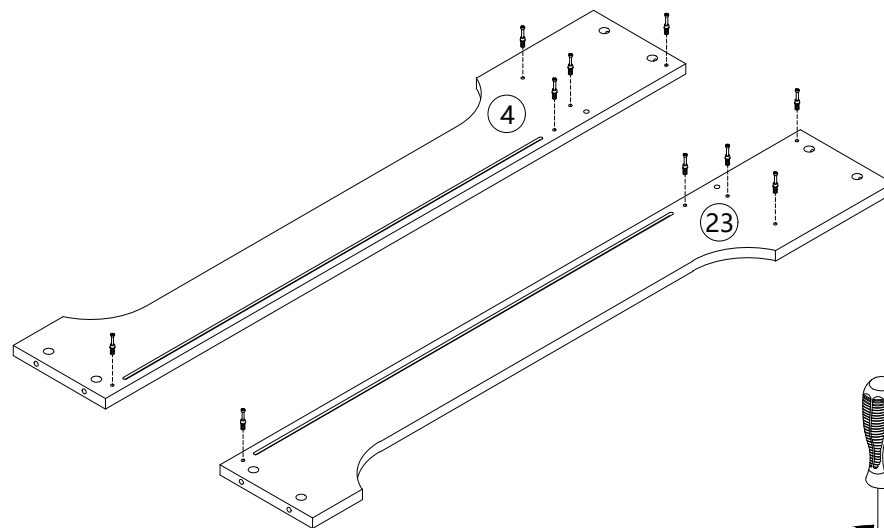
[x2]

(L)

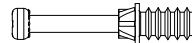


[x2]

19

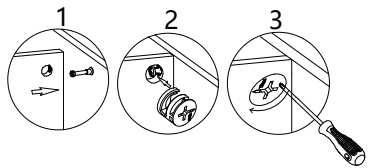
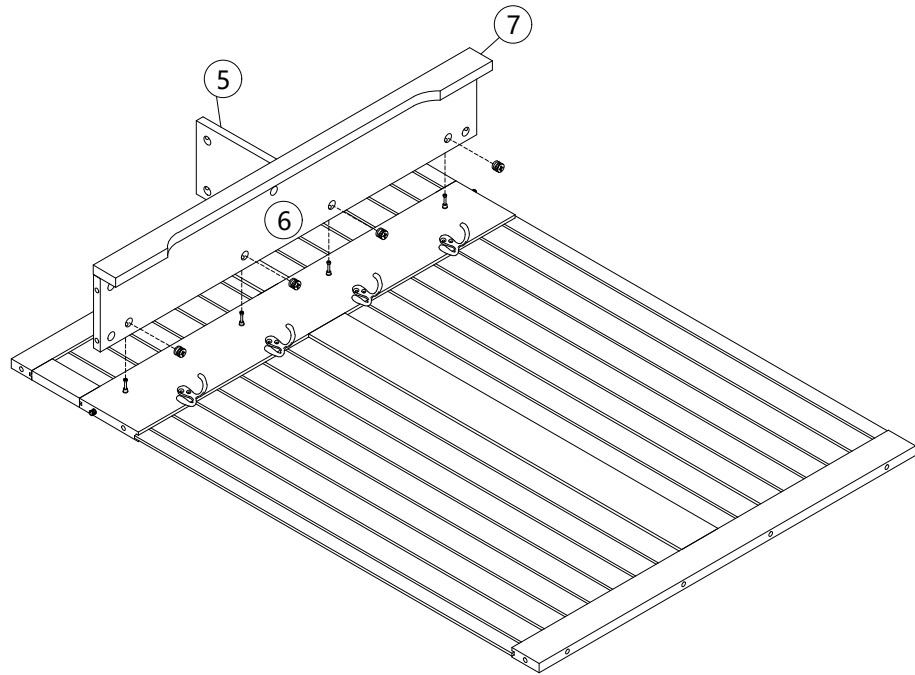


(A)

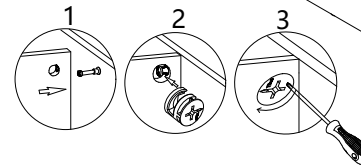
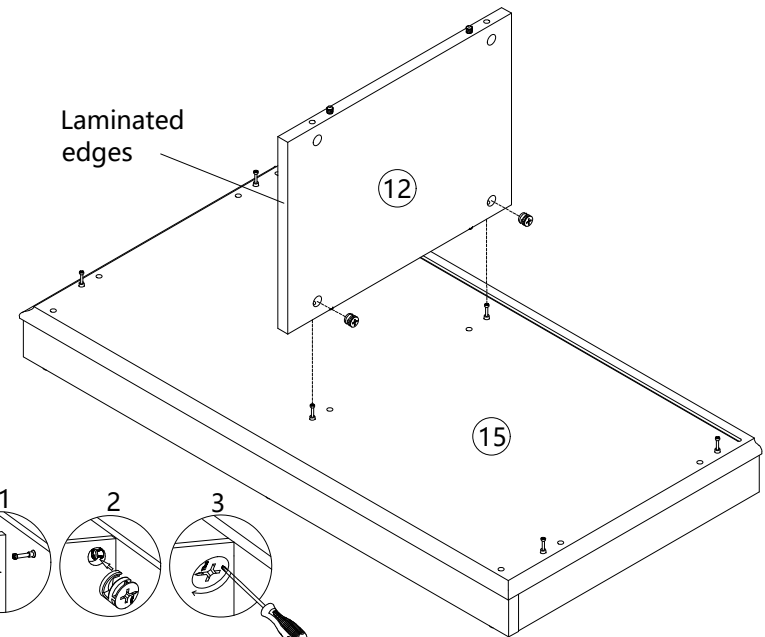
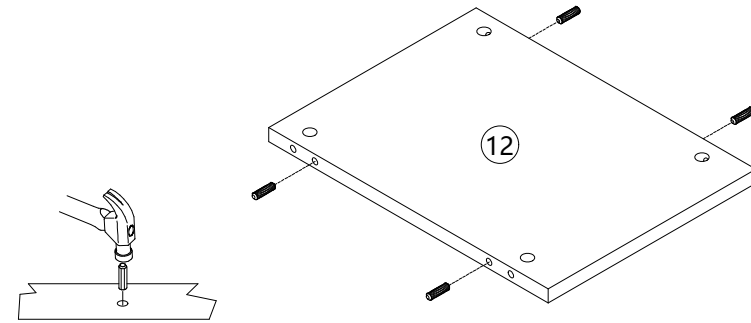


[x10]

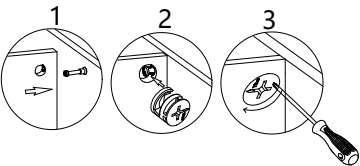
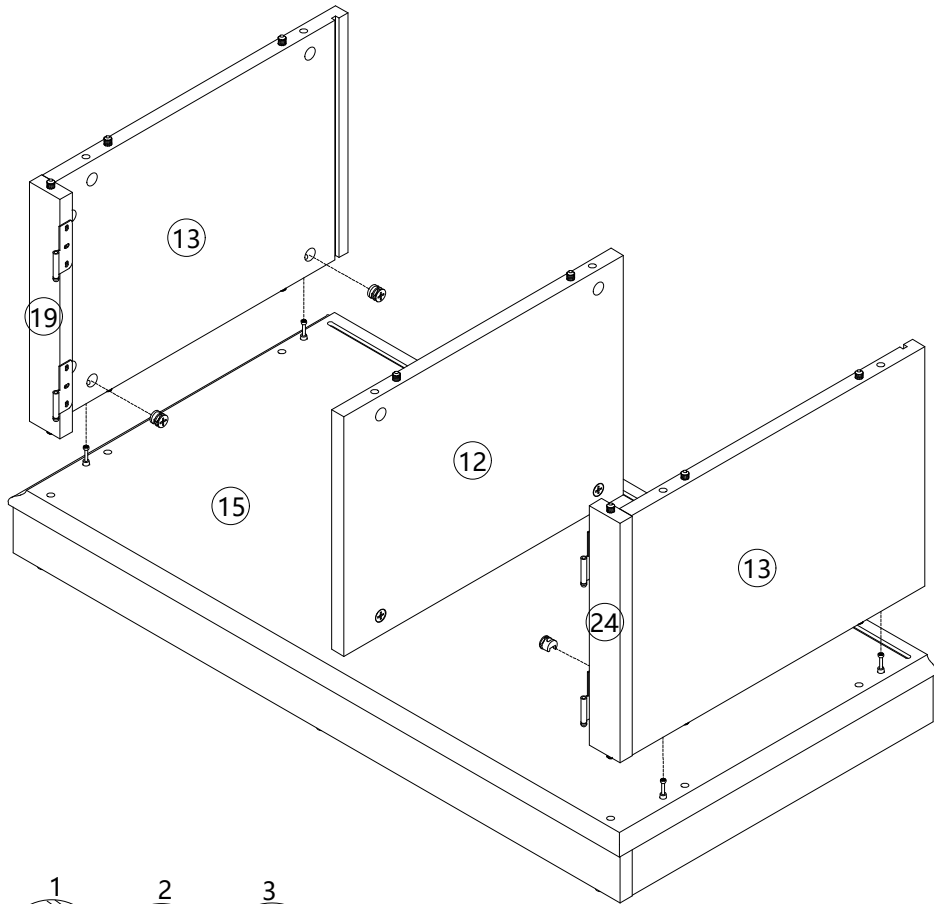
18



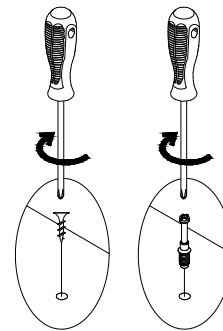
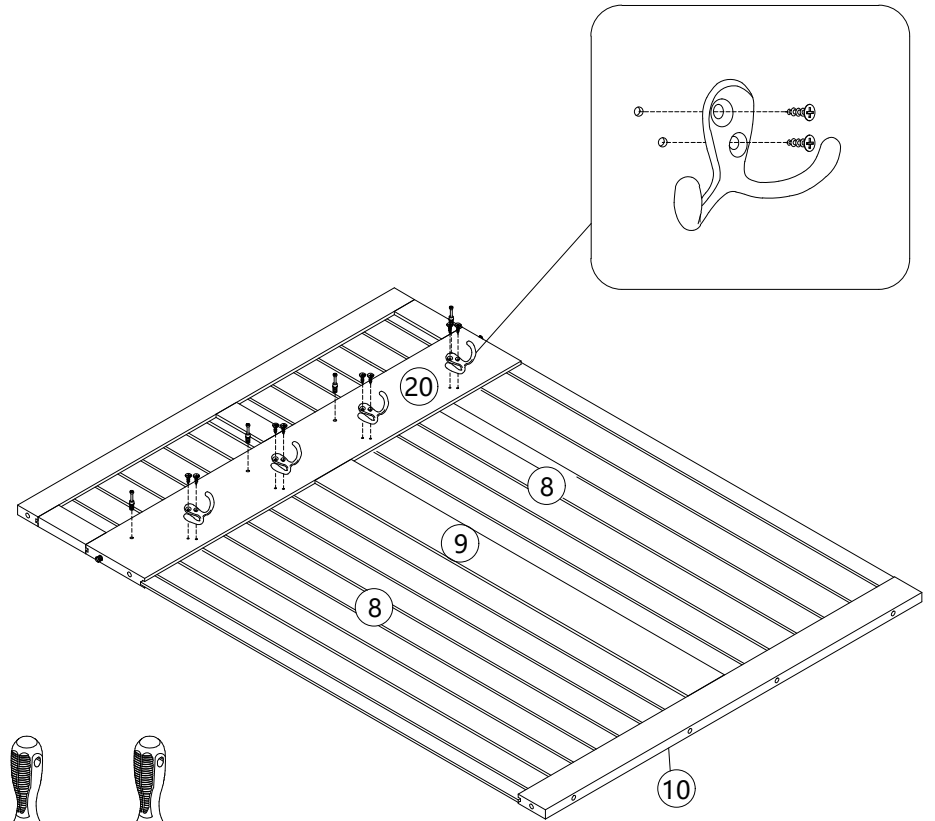
7

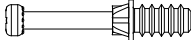

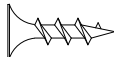


8

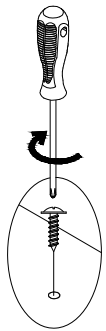
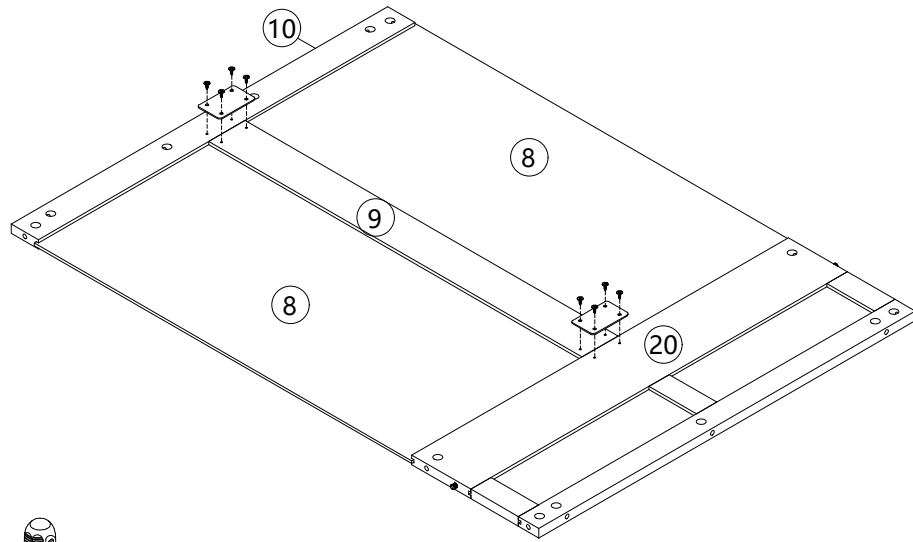


17

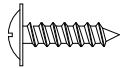


- | | | | | | |
|-----|---|------|-----|---|------|
| (A) |  | [x4] | (H) |  | [x4] |
| (G) |  | [x8] | | | |

16

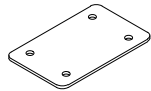


E



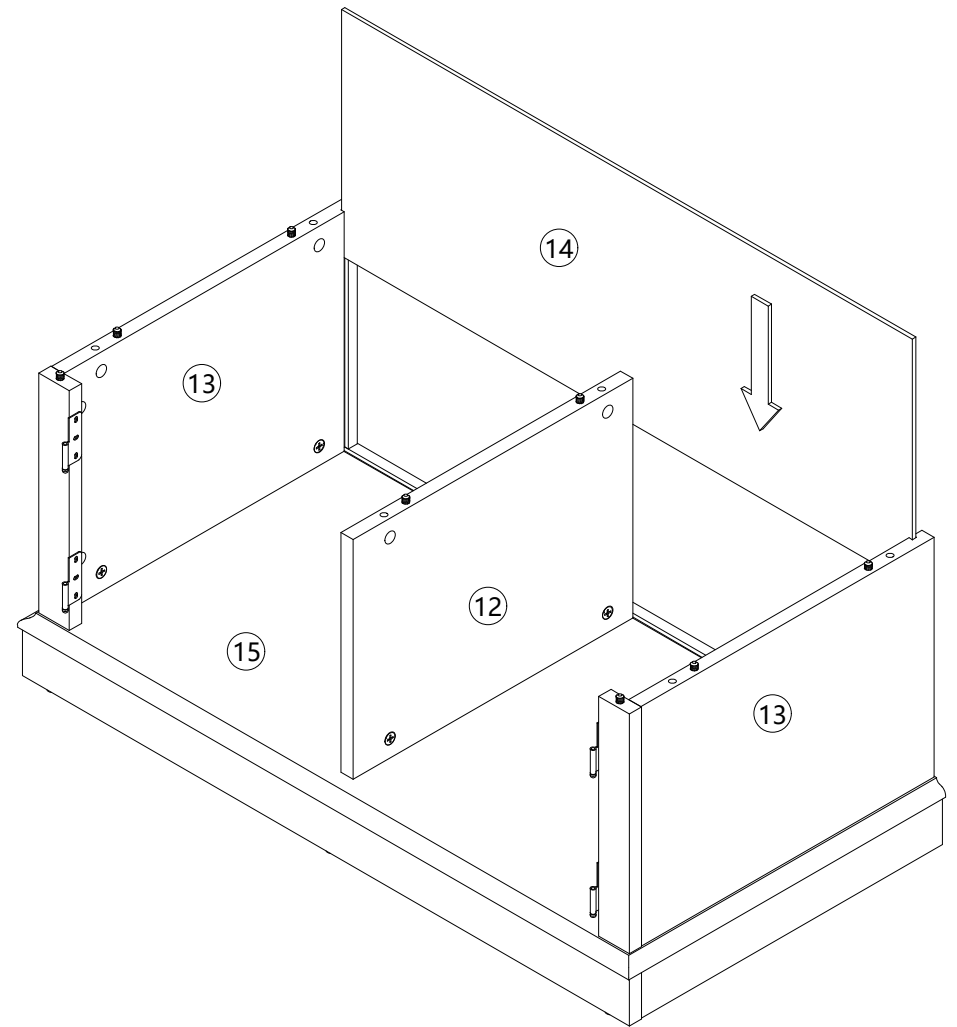
[x8]

Q

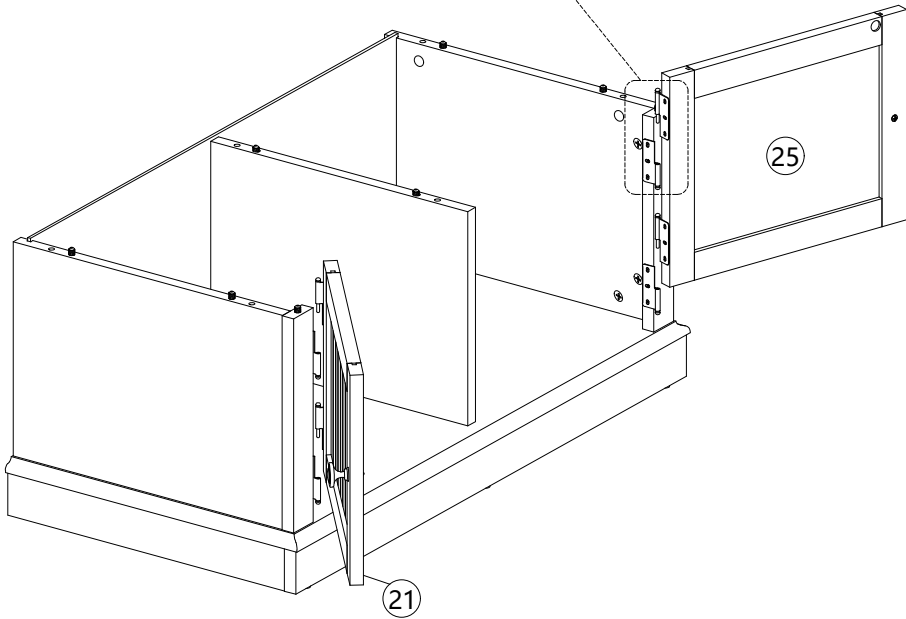
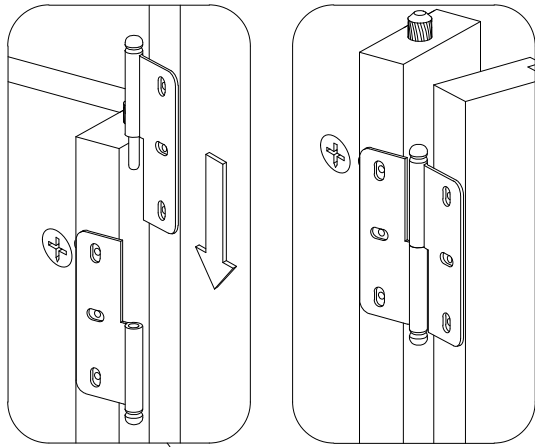


[x2]

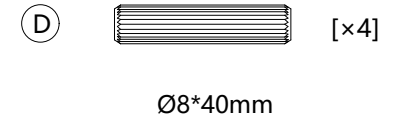
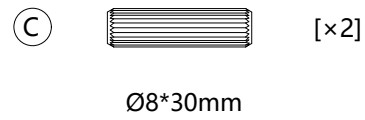
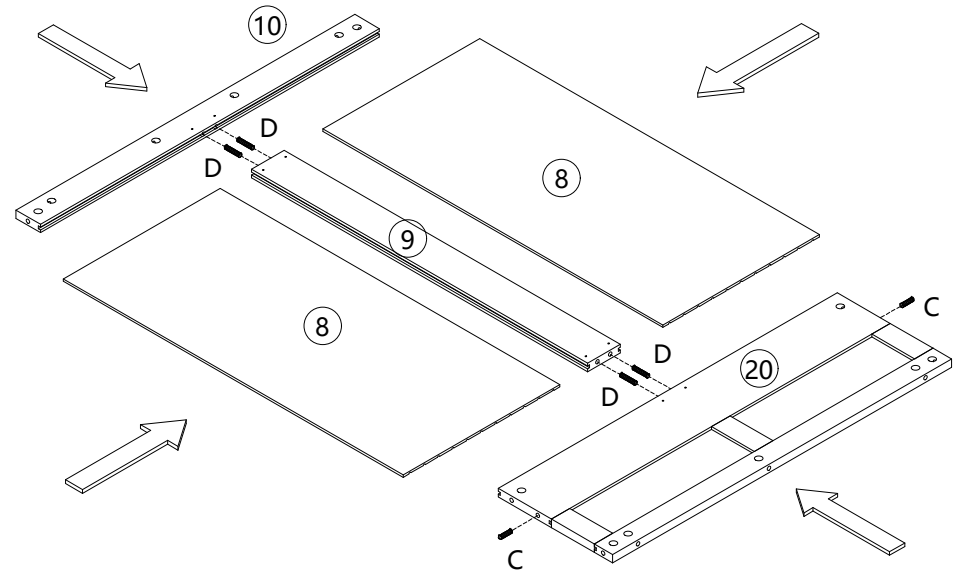
9



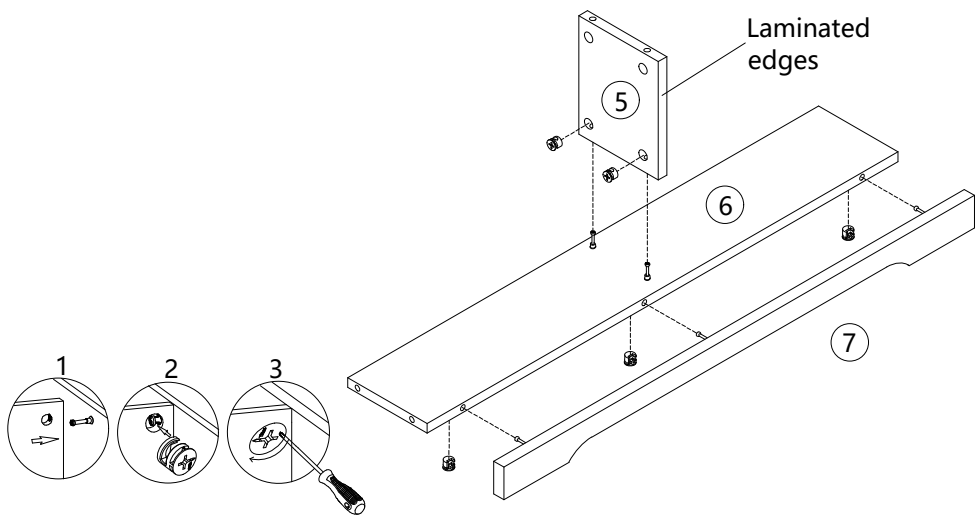
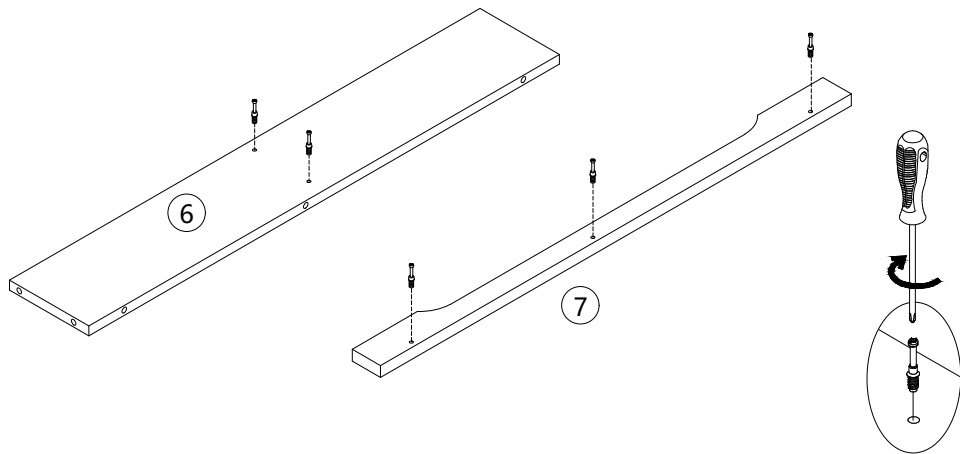
10



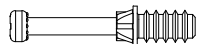
15



14



A



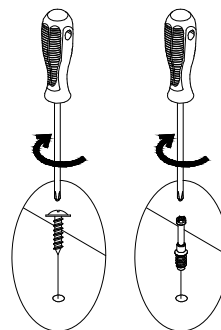
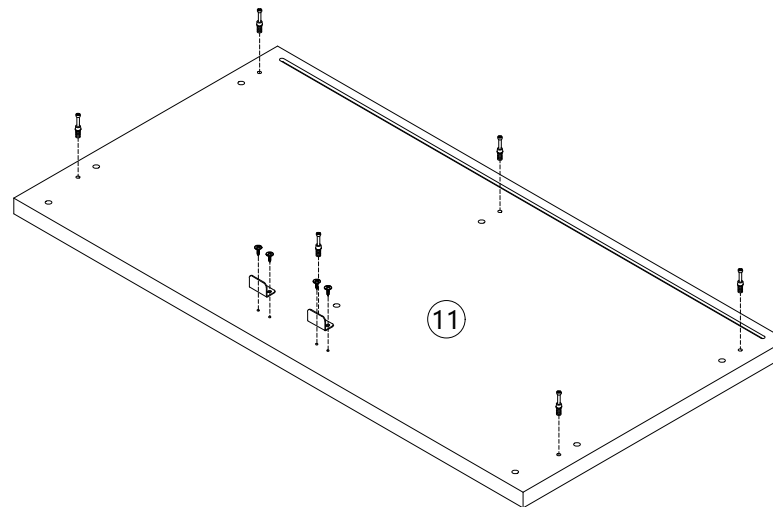
[x5]

B

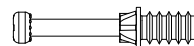


[x5]

11



A



[x6]

N



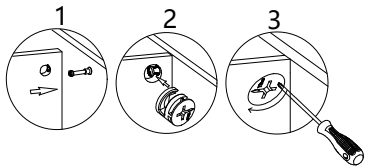
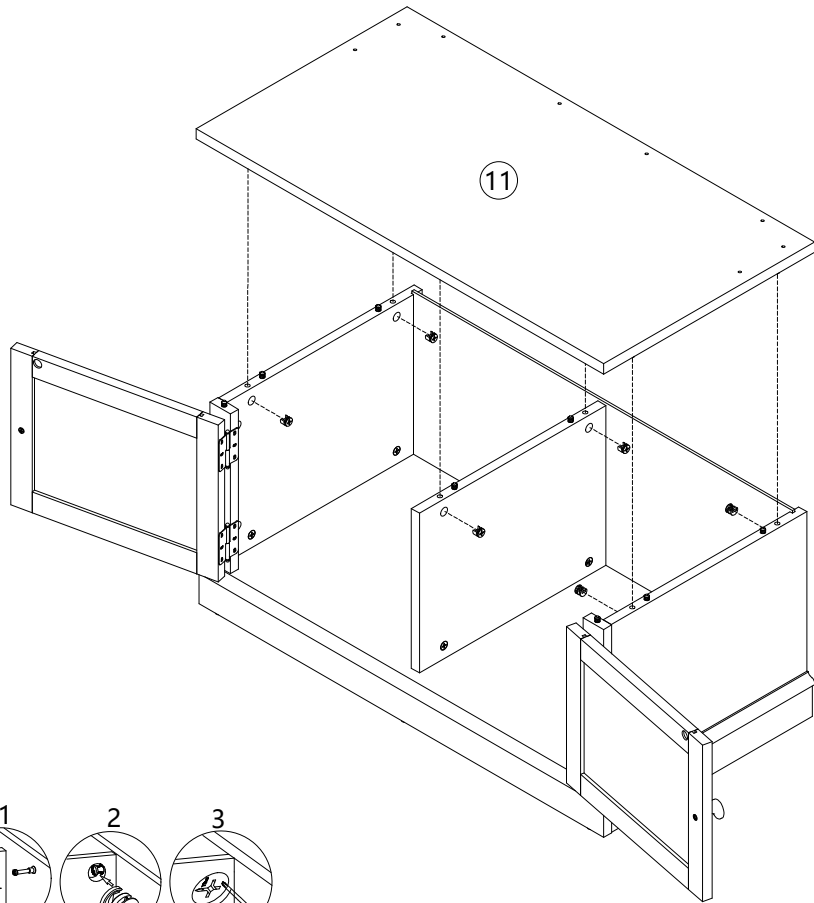
[x2]

E



[x4]

12

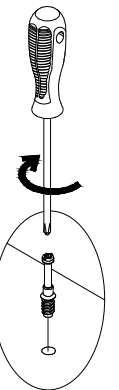
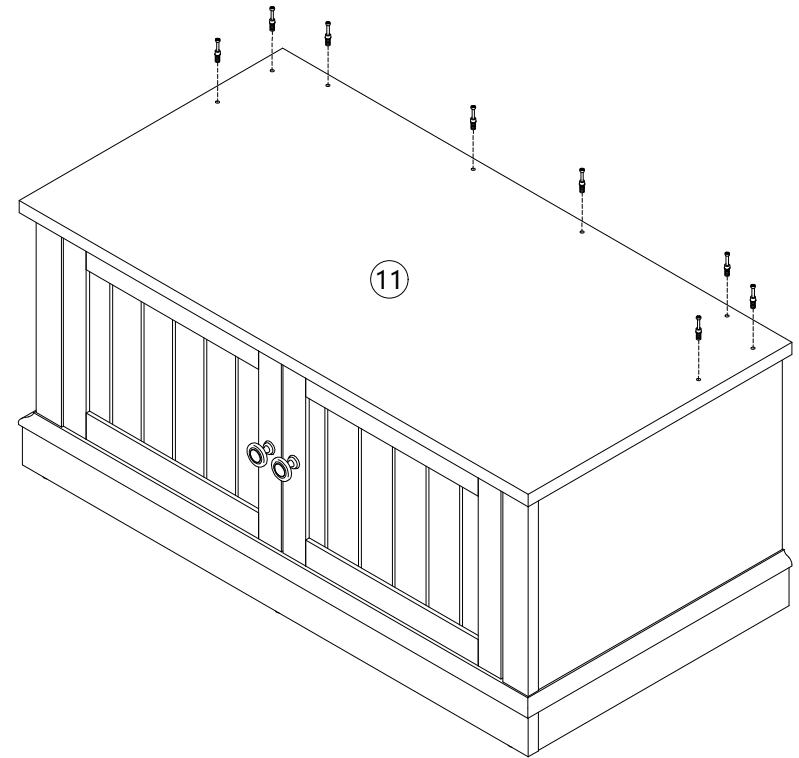


B

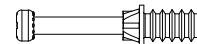


[x6]

13



A



[x8]