

# ASSEMBLY INSTRUCTIONS

Inner size:90\*190cm

WF303385/WF303386



## ! SAFETY WARNINGS !

1. This bed is designed for use Single Mattress 190cm Long and 90cm Wide.
2. The maximum thickness of the mattress shall be stated.
3. Always use the recommended size mattresses or mattress supports, or both, to help prevent the likelihood of entrapment or falls.
4. Ensure thickness of mattress and foundation combined does not exceed 13.5 cm and that mattress surface at least 16 cm below upper edge of guardrails.
5. Do not allow children under 6 years of age to use the upper bunk.
6. Periodically check and ensure that the guardrail, ladder, and other components are in their proper position, free from damage, and that all connectors are tight.
7. Do not allow horseplay on or under the bed and prohibit jumping on the bed.
8. Always use the ladder for entering and leaving the upper bunk.
9. Do not use substitute parts. Contact the manufacturer or dealer for replacement parts.
10. Use of a night light may provide added safety precaution for a child using the upper bunk.
11. Always use guardrails on both long sides of the upper bunk. If the bunk bed will be placed next to the wall, the guardrail that runs the full length of the bed should be placed against the wall to prevent entrapment between the bed and wall.
12. The use of water or sleep flotation mattresses is prohibited.
13. **STRANGULATION HAZARD** - Never attach or hang items to any part of the bunk bed that are not designed for use with the bed; for example, but not limited to, hook, belts and jump ropes.
14. Keep these instructions for future reference.

### Important information:

Check all the components and screws before assembly. Please don't hesitate to contact us if the package you received is missing parts or screws.

WF303385

<b>01</b> x1 	<b>02</b> x1 	<b>03</b> x1 	<b>04</b> x1 	<b>05</b> x2 
<b>06</b> x2 	<b>07</b> x4 	<b>09</b> x2 	<b>10</b> x2 	<b>12</b> x1 
<b>13</b> x1 	<b>14</b> x1 	<b>15</b> x1 	<b>17</b> x1 	<b>18</b> x1 
<b>19</b> x3 	<b>20</b> x1 	<b>21</b> x1 	<b>22</b> x2 	<b>23</b> x3 
<b>24</b> x1 	<b>32</b> x4 			

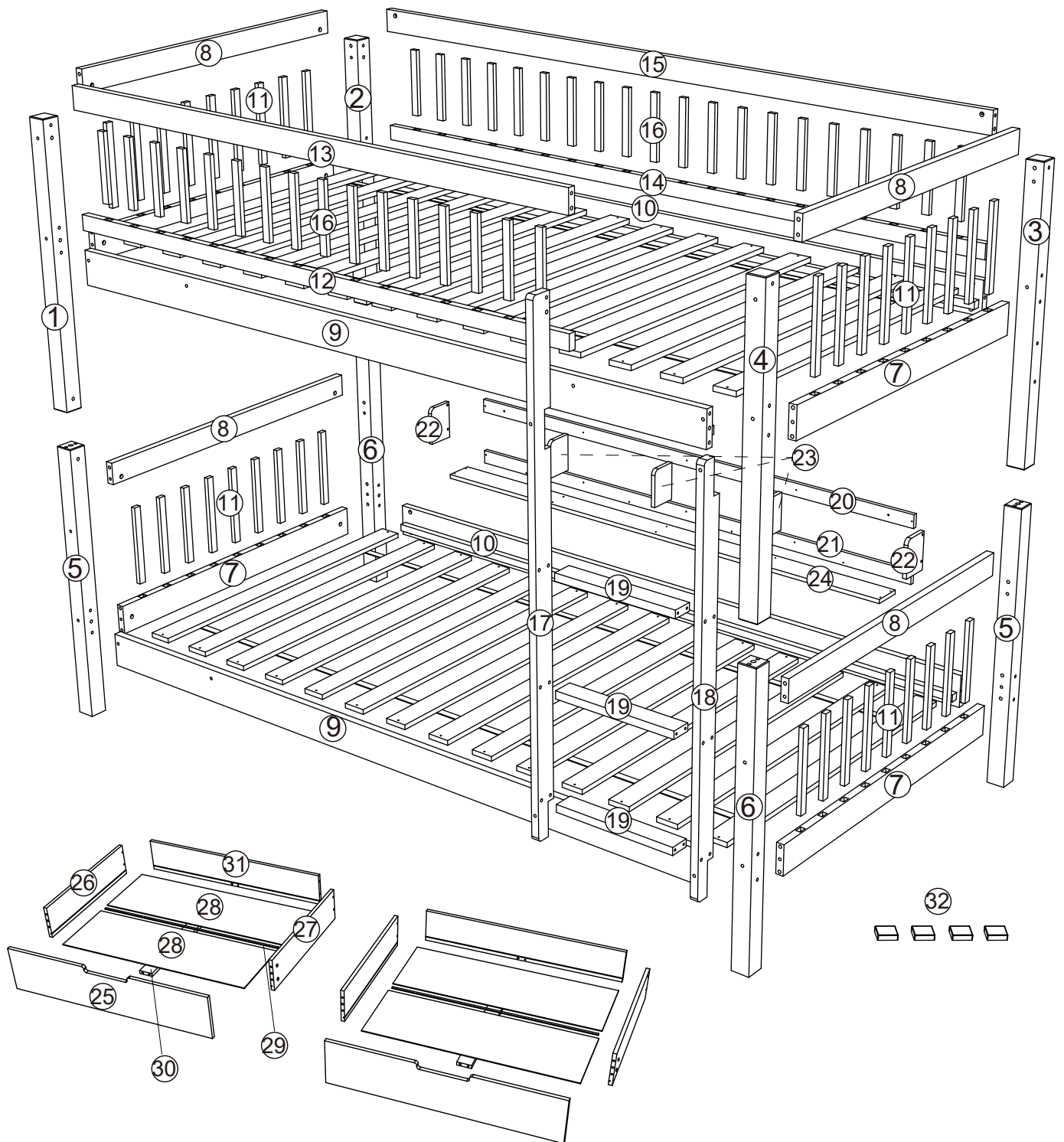
Hardware-Liste

<b>A</b>  15mm M6x90mm	35	<b>H</b>  Ø10x80mm	04	<b>N</b>  Ø15x12mm	12
<b>B</b>  15mm M6x60mm	05	<b>I</b>  15mm M6x30mm	08	<b>O</b>  Ø5x40mm	12
<b>C</b>  Ø10.5x16mm	36	<b>J</b>  8mm Ø4x30mm	91	<b>P</b>  Ø9x10mm	08
<b>D</b>  8mm Ø8x30mm	48	<b>K</b>  8mm Ø4x40mm	10	<b>Q</b>  H=35mm	08
<b>E</b>  10mm Ø7x60mm	12	<b>L</b>  4mm	02	<b>R</b>  Ø4x16mm	16
<b>F</b>  15mm M8x20mm	08	<b>M</b>  Ø8mm	08	<b>S</b>  Ø6x45mm	02
<b>G</b>  15mm M6x50mm	04				

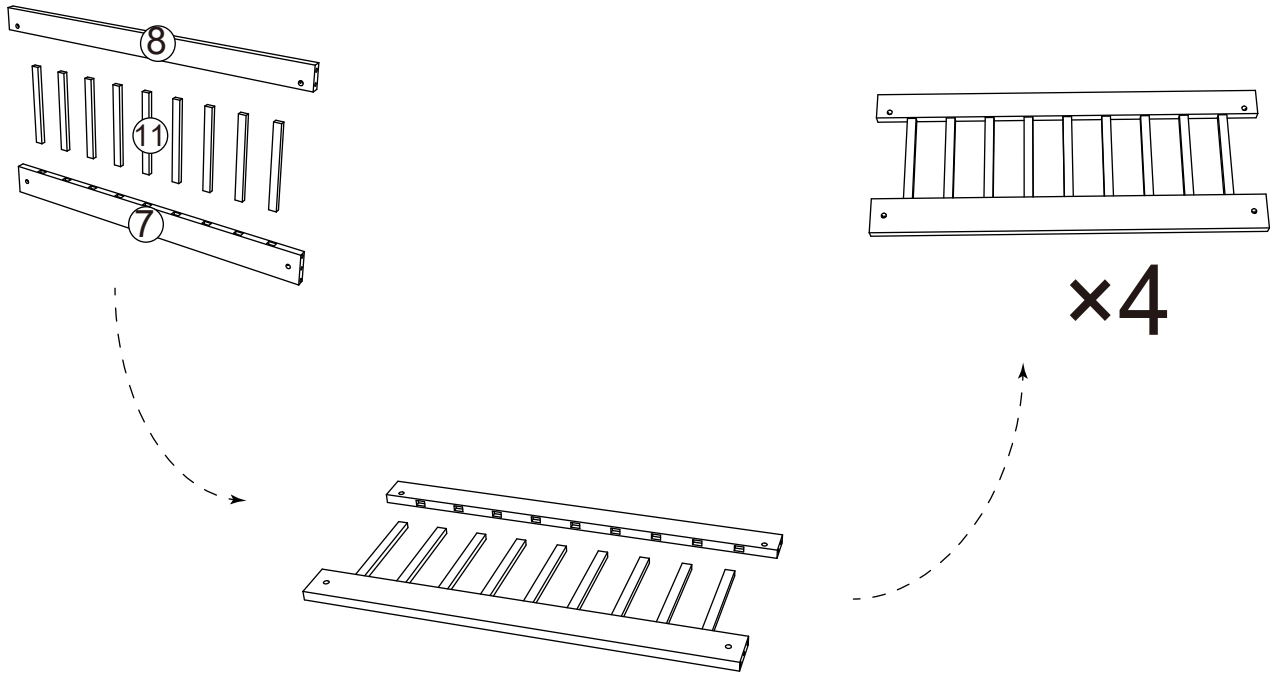
WF303386

<b>8</b> x4 	<b>11</b> x36 	<b>16</b> x36 	<b>25</b> x2 	<b>26</b> x2 
<b>27</b> x2 	<b>28</b> x4 	<b>29</b> x2 	<b>30</b> x2 	<b>31</b> x2 
Slats x30 				

# Part List

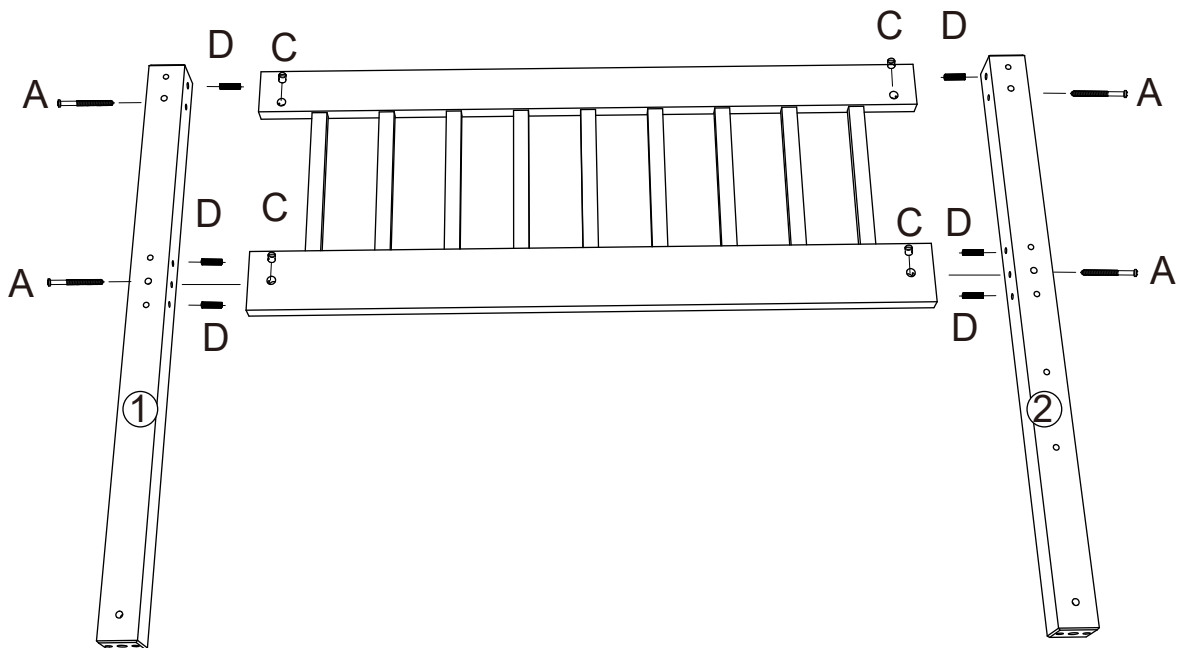





01



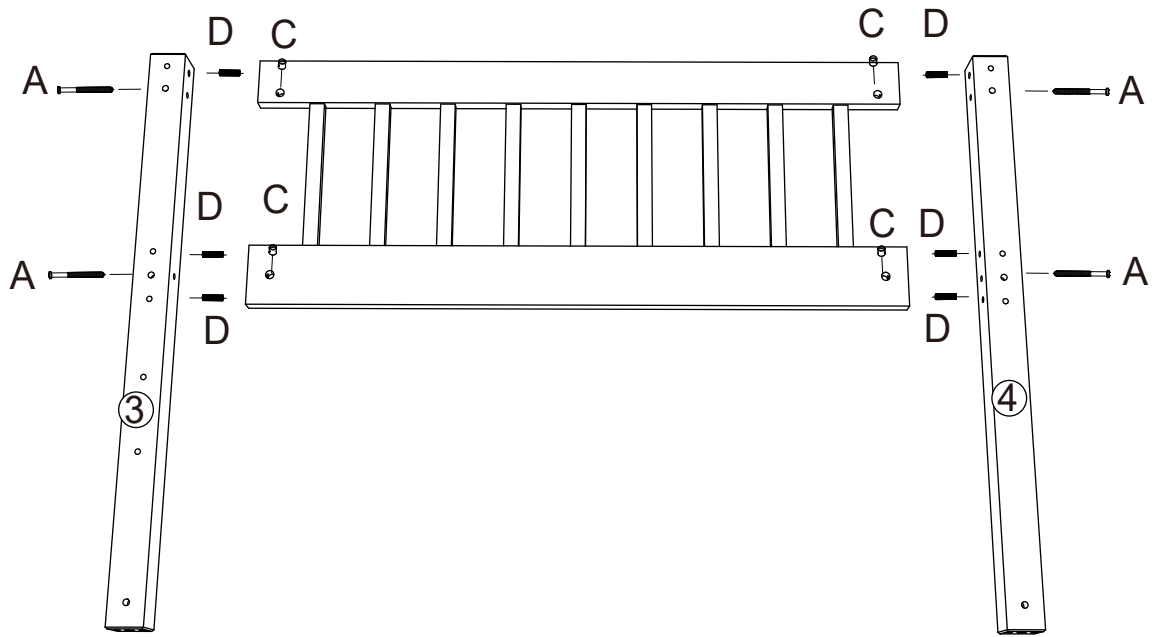
In this step, all the vertical strips are inserted first into the holes of one of the strips and then from one end into the holes of the other strips in turn.




02



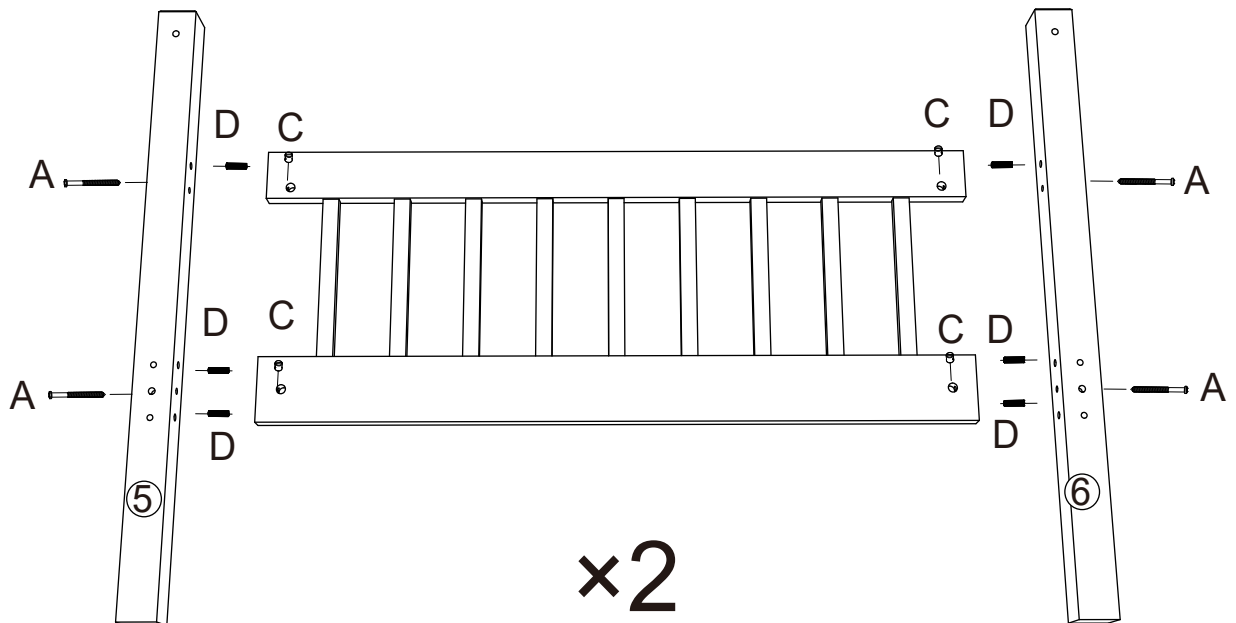
A		M6 x 90mm	4
C		φ10.5x 16mm	4
D		φ8 x 30mm	6




3



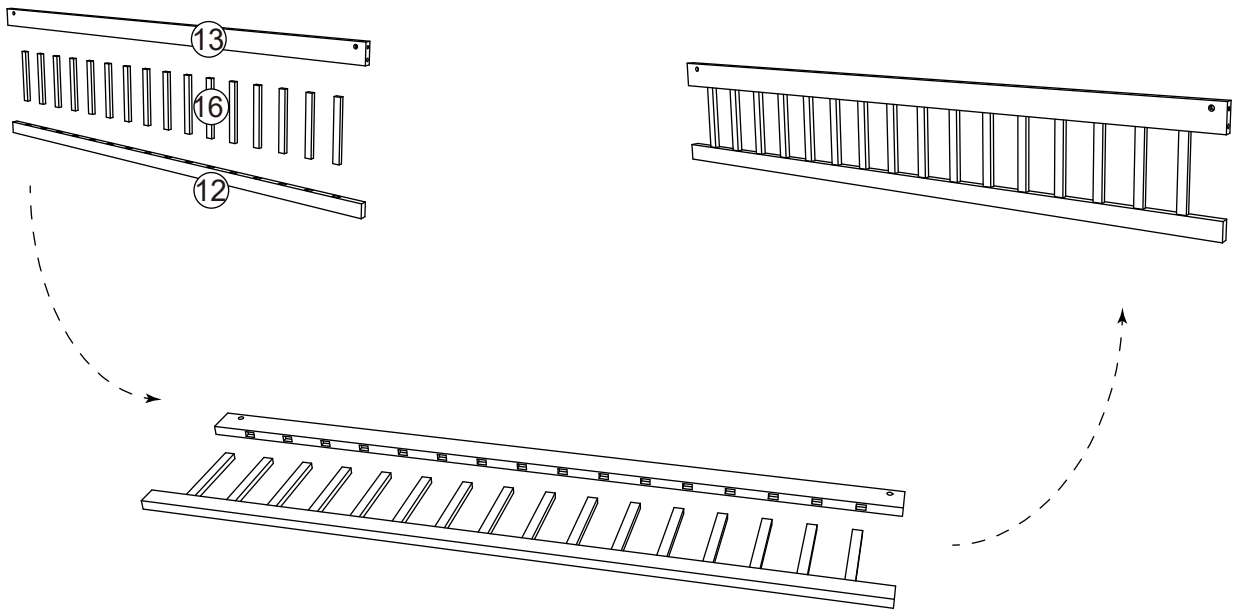
A		M6 x 90mm	4
C		φ10.5x 16mm	4
D		φ8 x 30mm	6

4



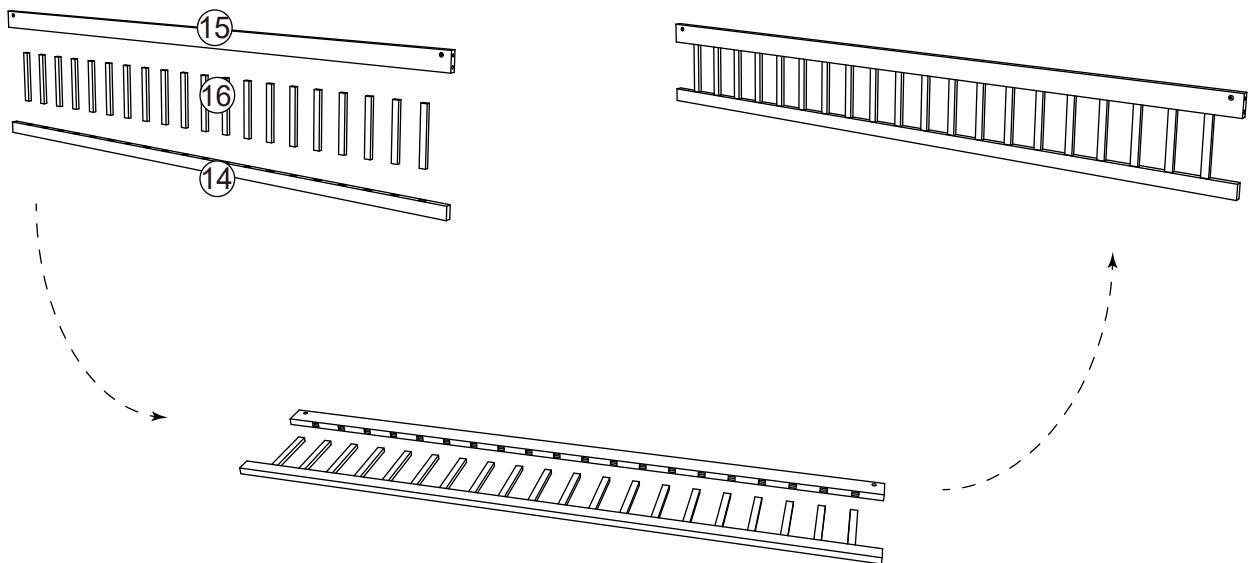
A		M6 x 90mm	8
C		φ10.5x 16mm	8
D		φ8 x 30mm	12

5



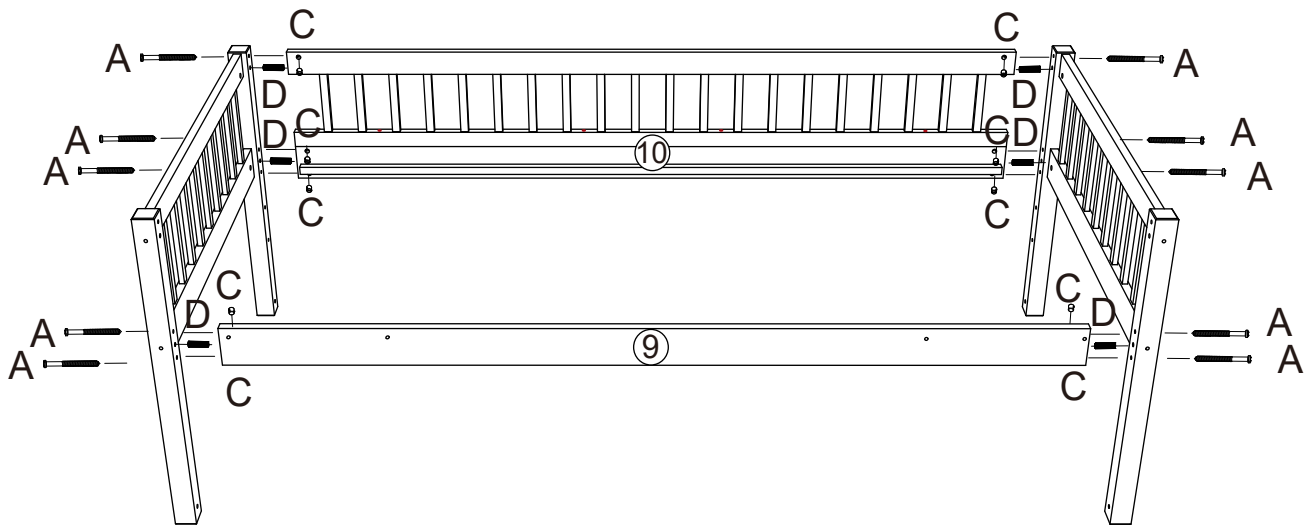
In this step, all the vertical strips are inserted first into the holes of one of the strips and then from one end into the holes of the other strips in turn.




6



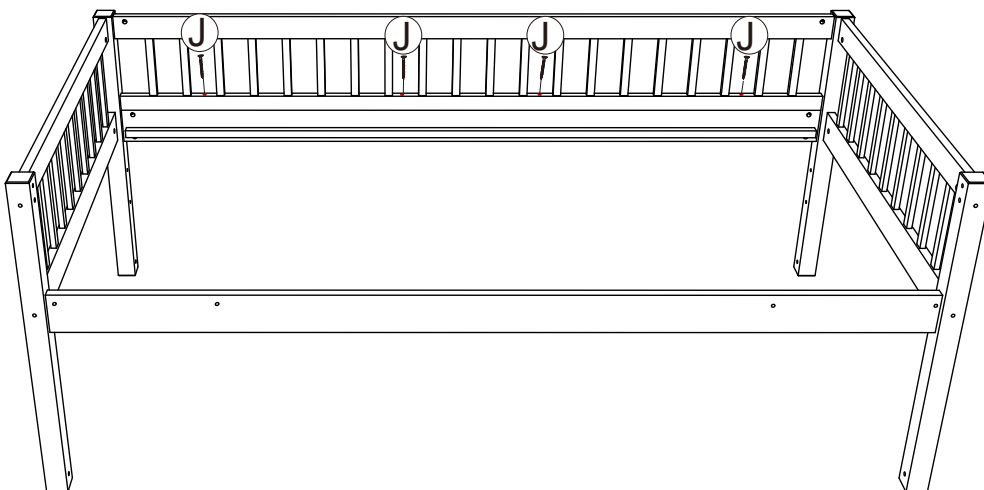
In this step, all the vertical strips are inserted first into the holes of one of the strips and then from one end into the holes of the other strips in turn.


7



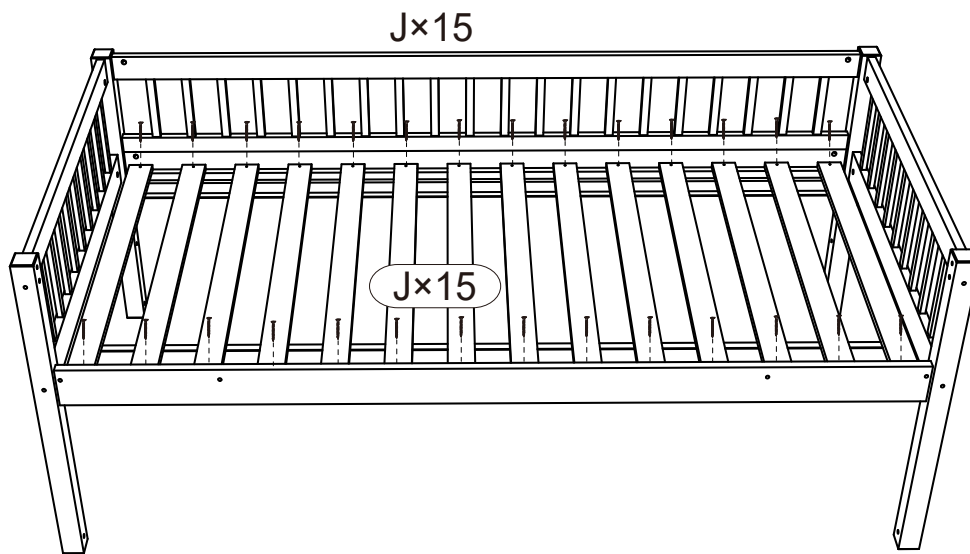
A		M6 x 90mm	10
C		φ10.5x 16mm	10
D		φ8 x 30mm	6

8



J		φ4 x 30mm	4
---	---	-----------	---

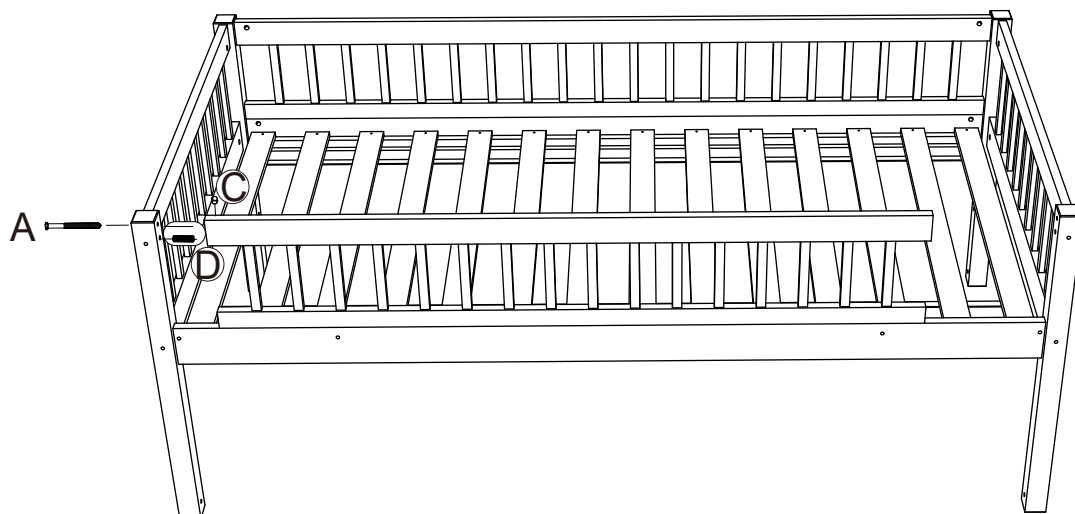
09






After this step is assembled, it can be used alone.

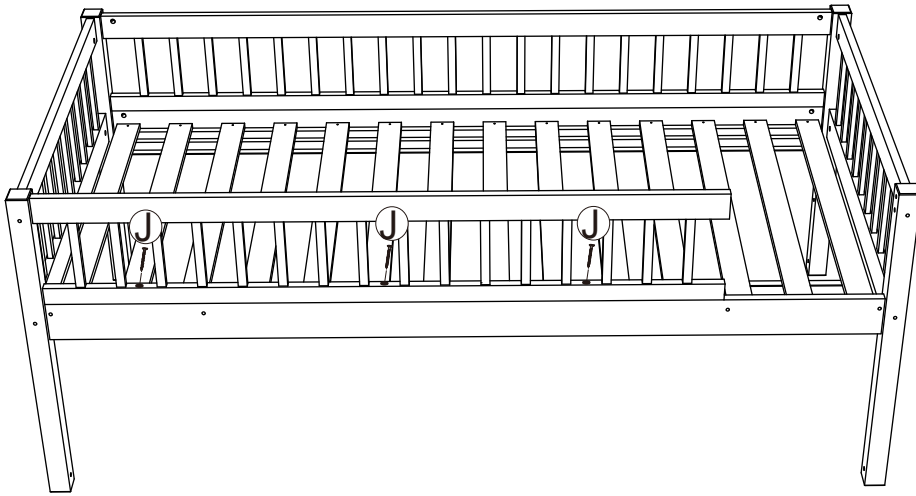
J		φ4 x 30mm	30
---	---	-----------	----

10




A		M6 x 90mm	1
C		φ10.5x 16mm	1
D		φ8 x 30mm	1

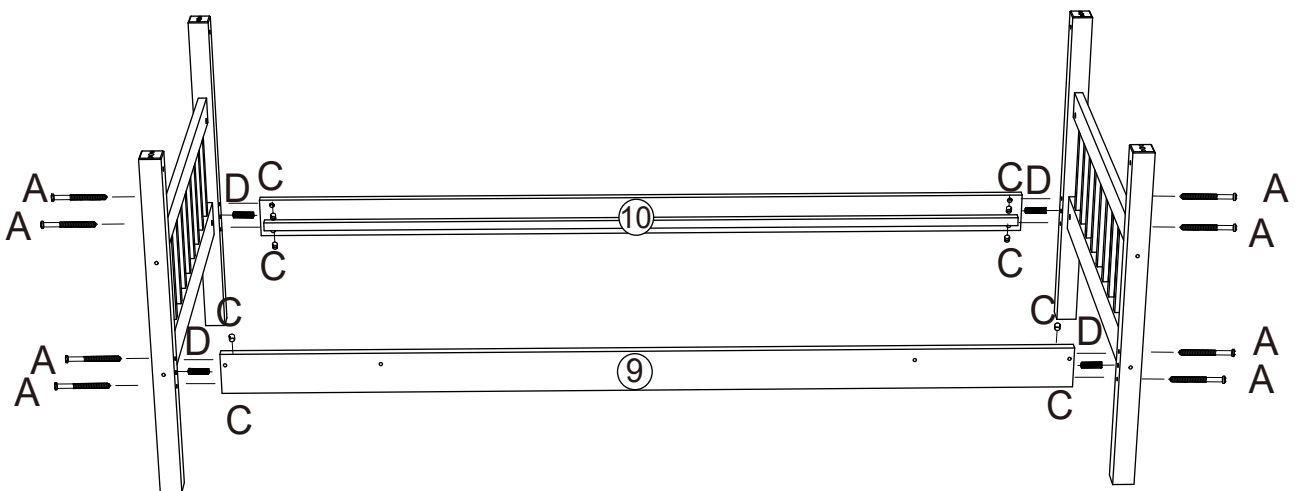
11






After this step is assembled, it can be used as an upper bed.

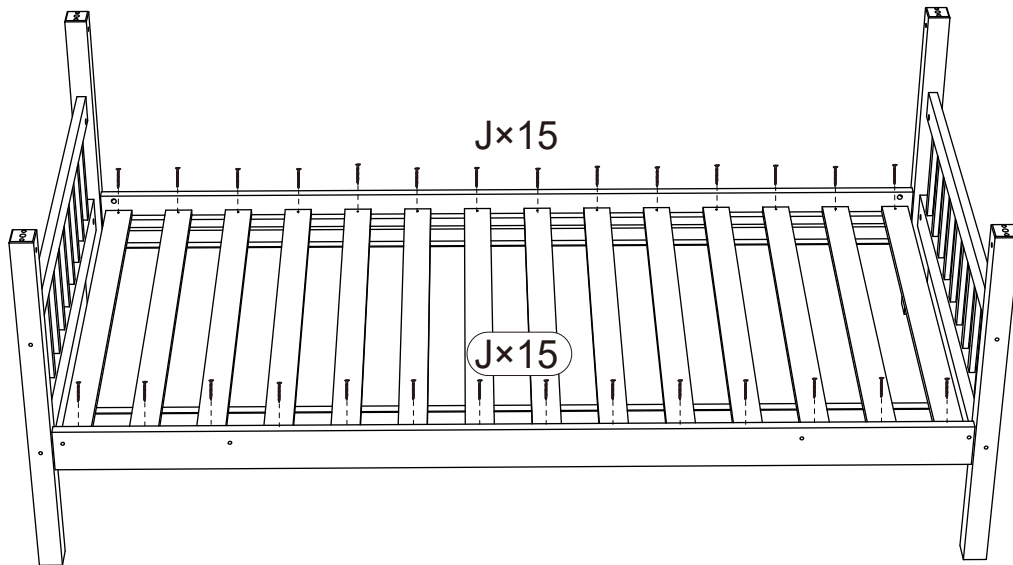
J	 $\phi 4 \times 30\text{mm}$	3
---	---	---

12



A	 M6 x 90mm	8
C	 $\phi 10.5 \times 16\text{mm}$	8
D	 $\phi 8 \times 30\text{mm}$	4

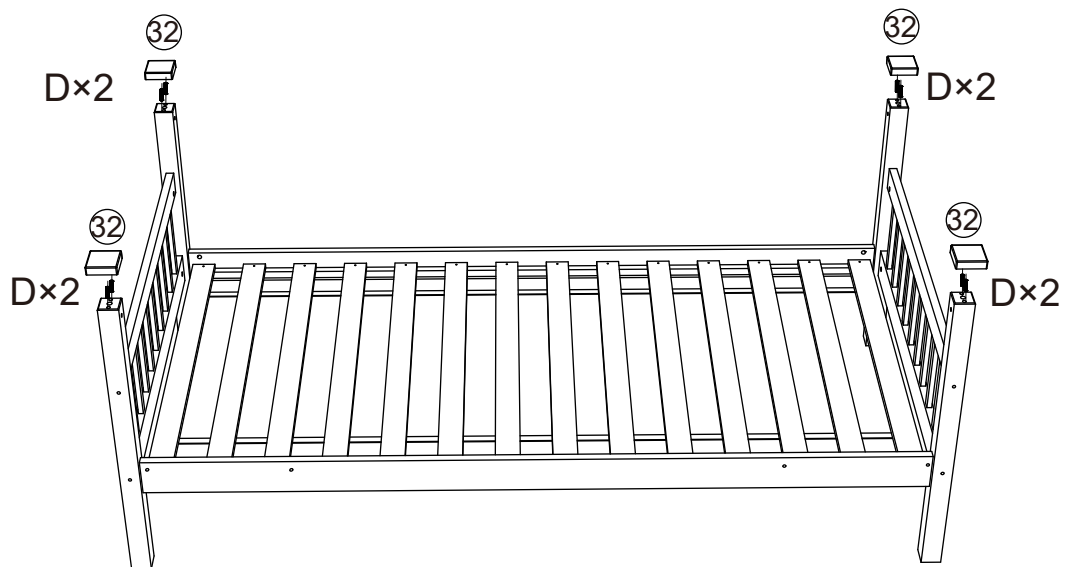
13




After this step is assembled, it can be used as an lower bed.

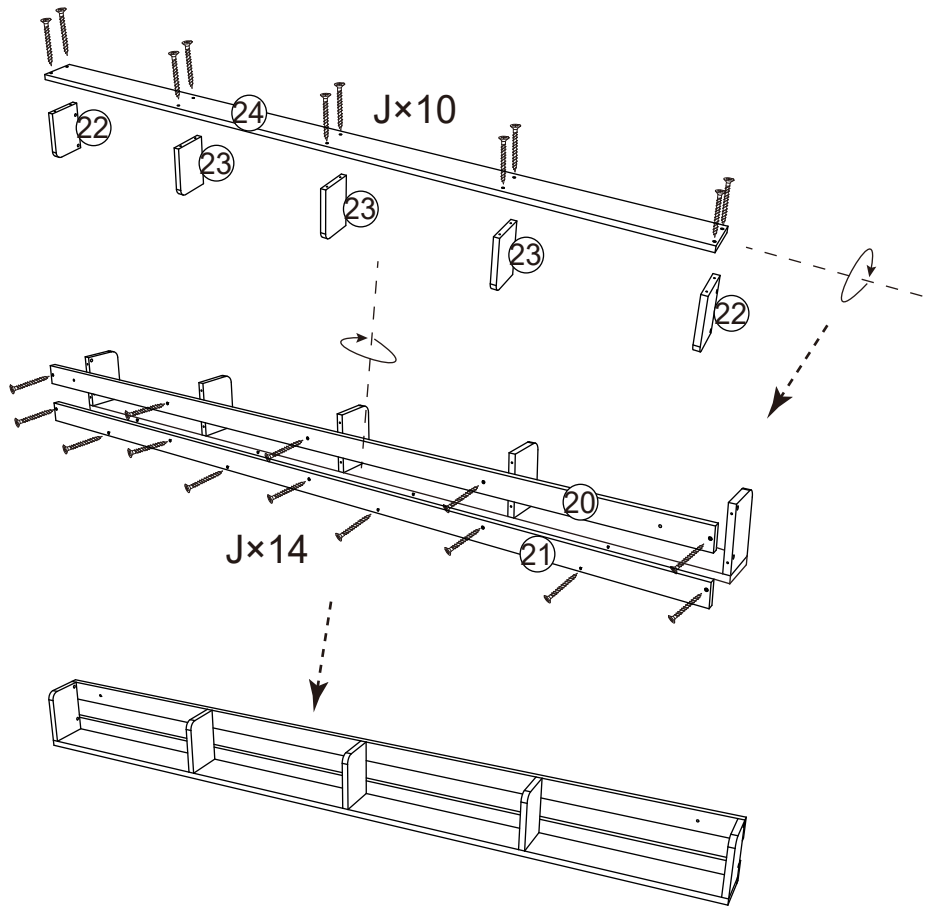
J		φ4 x 30mm	30
---	---	-----------	----


14



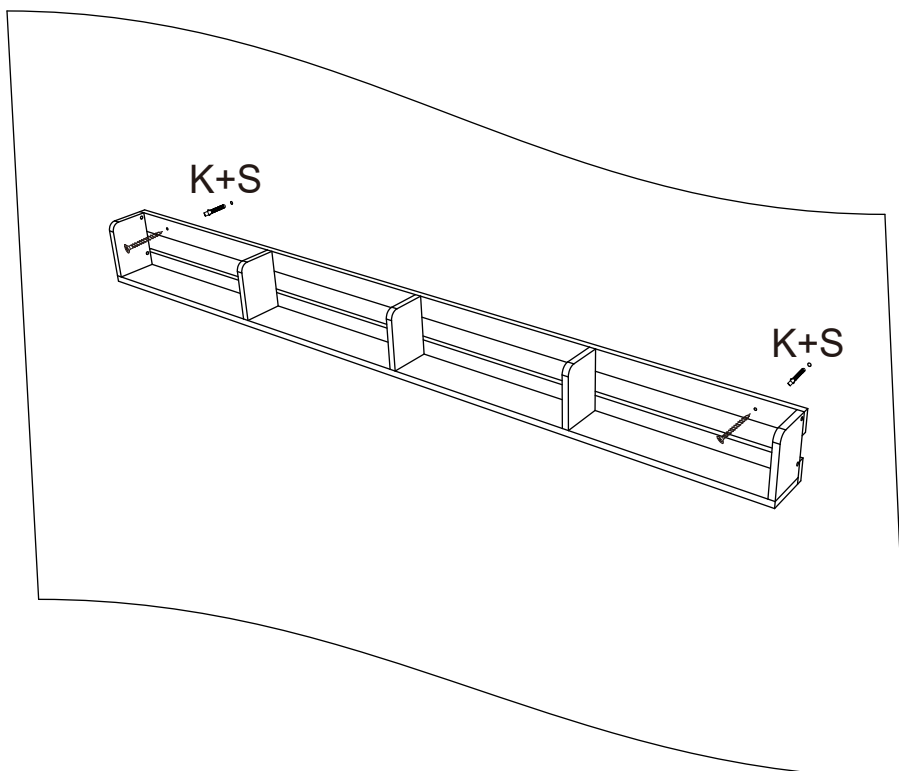
D		φ8 x 30mm	8
---	---	-----------	---

15

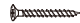



J		φ4 x 30mm	24
---	---	-----------	----

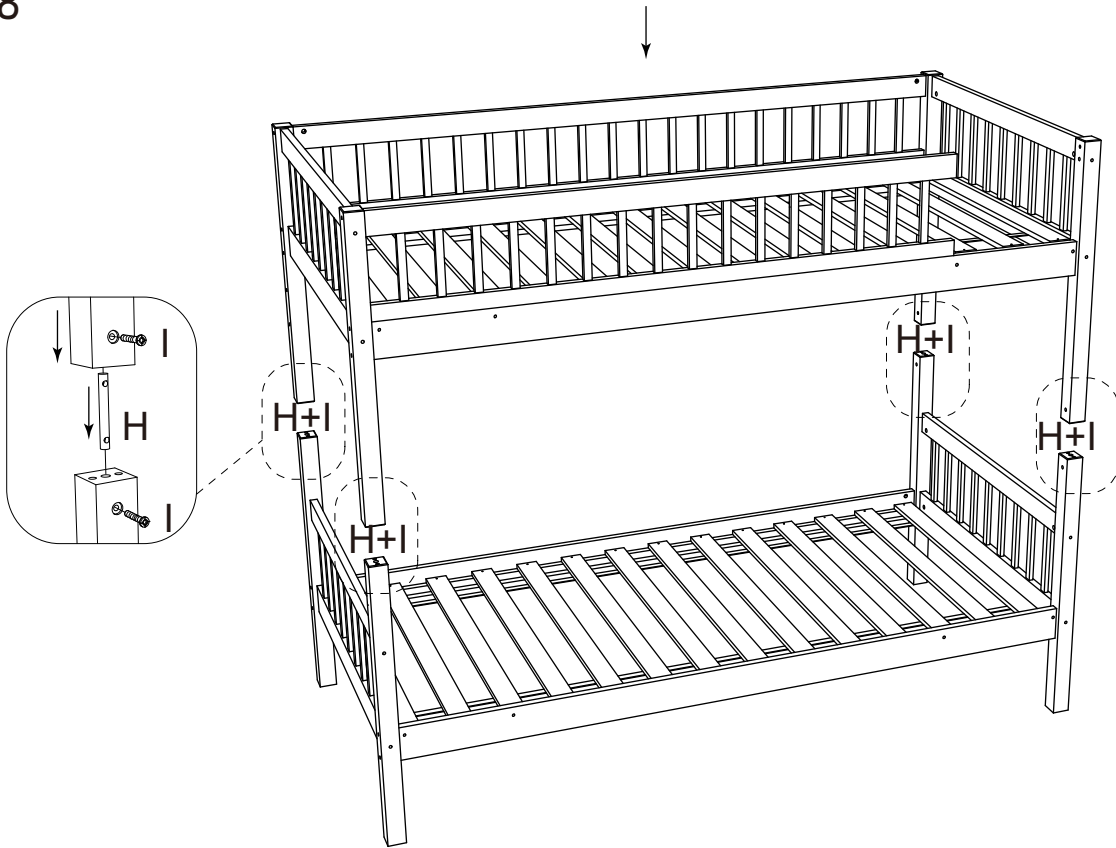
16

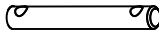
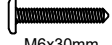


The storage rack can be used separately and fixed to the wall.

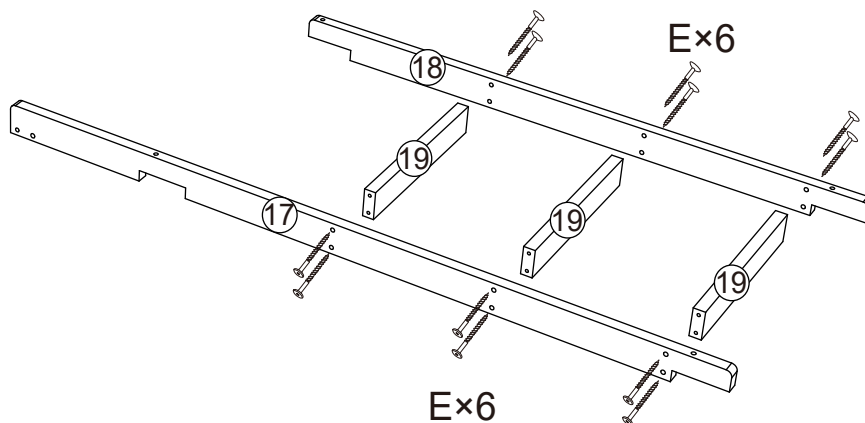
K		φ4 x 40mm	2
S		φ6 x 45mm	2


18



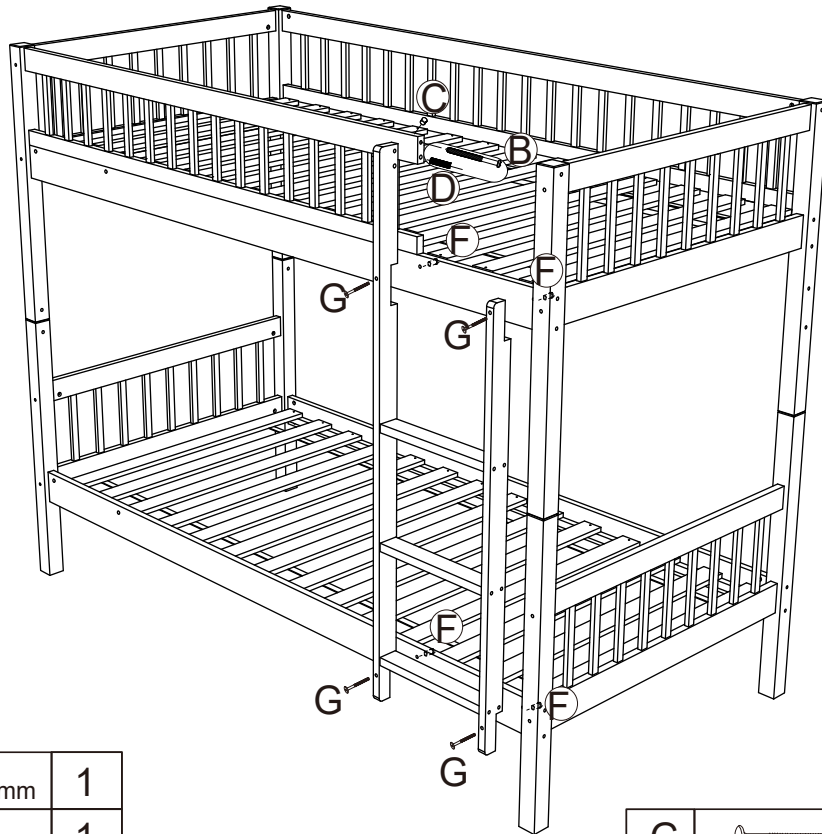
H	 Ø10x80mm	4
I	 15mm M6x30mm	8




19


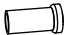


E	 10mm Ø7x60mm	12
---	--	----

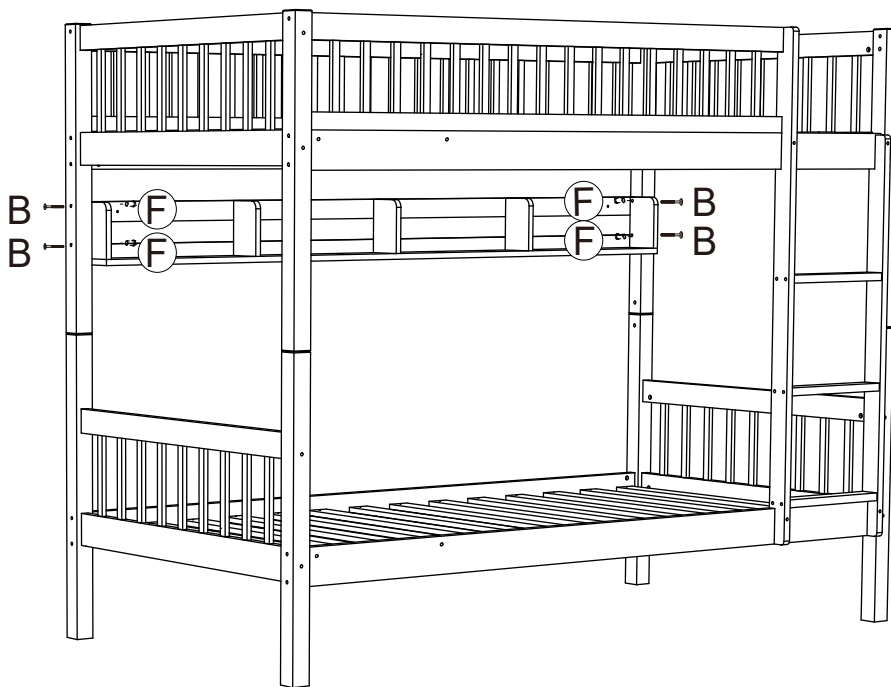
20





B		M6 x 60mm	1
C		φ10.5 x 16mm	1
D		φ8 x 30mm	1

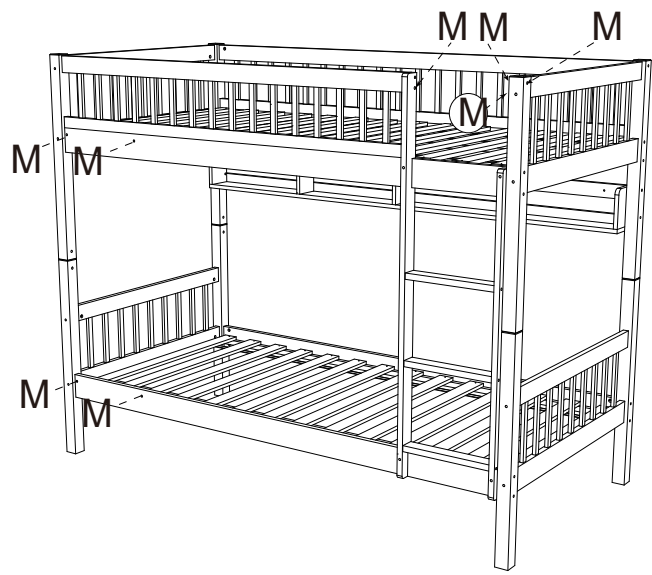
G		M6 x 50mm	4
F		M8 x 20mm	4

21



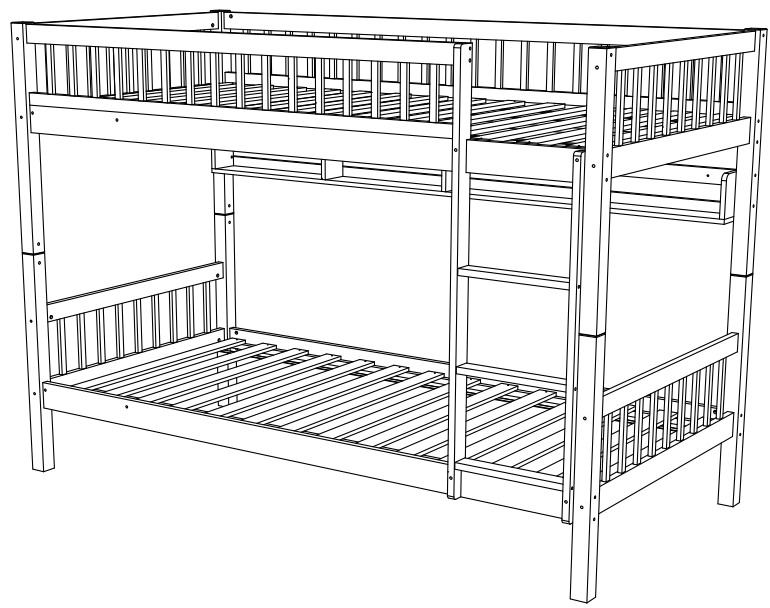
B		M6 x 60mm	4
F		M8 x 20mm	4

22

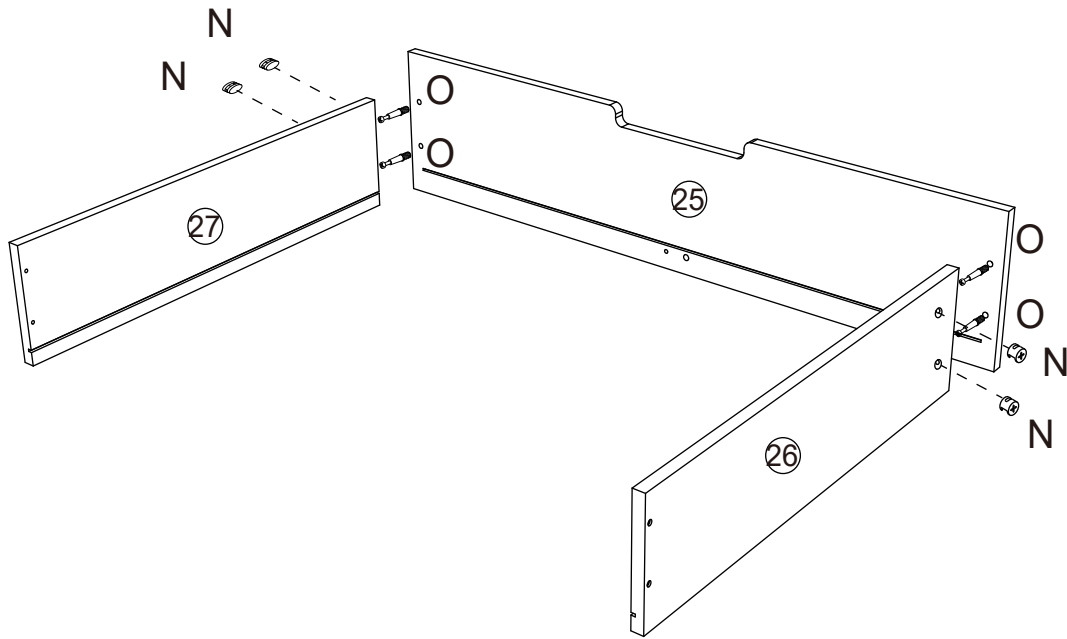


M		 $\phi 8\text{mm}$	8
---	---	---	---



23



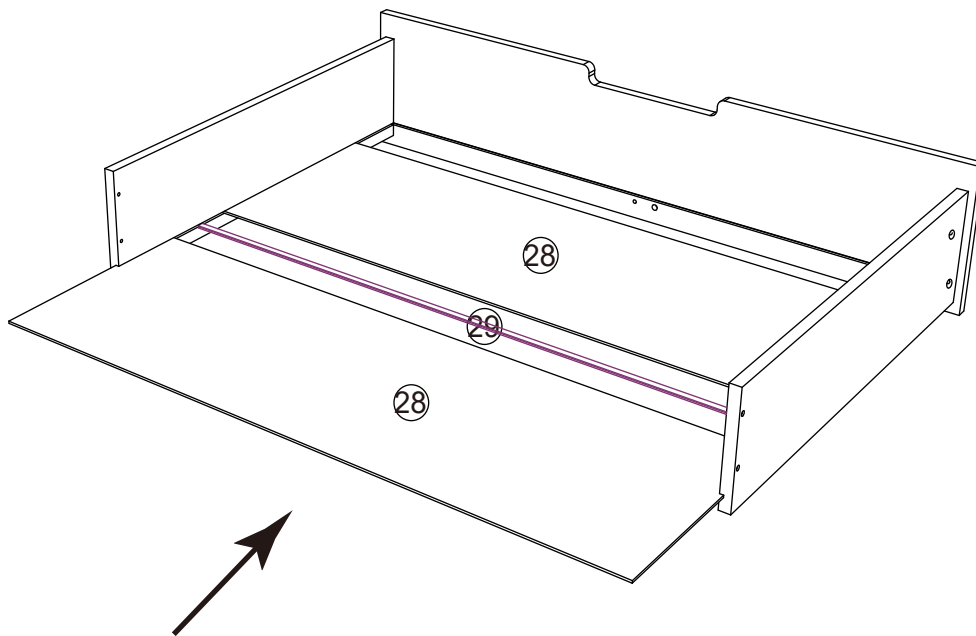
23



x2

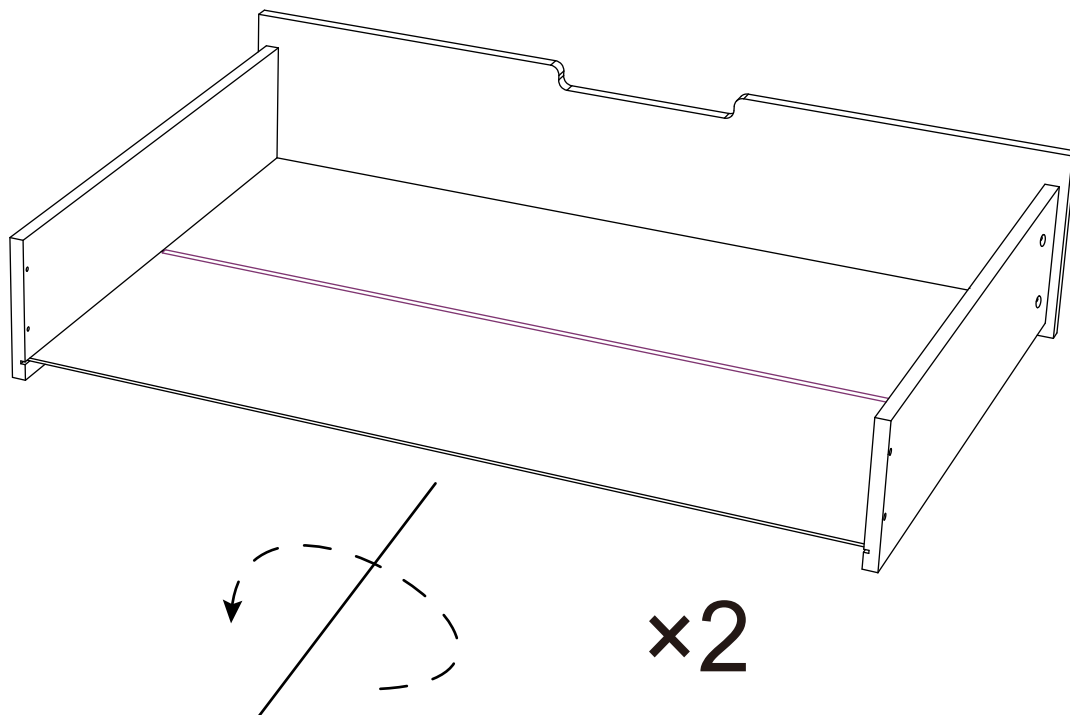
N		φ15 x 12mm	8
O		φ5 x 40mm	8

24

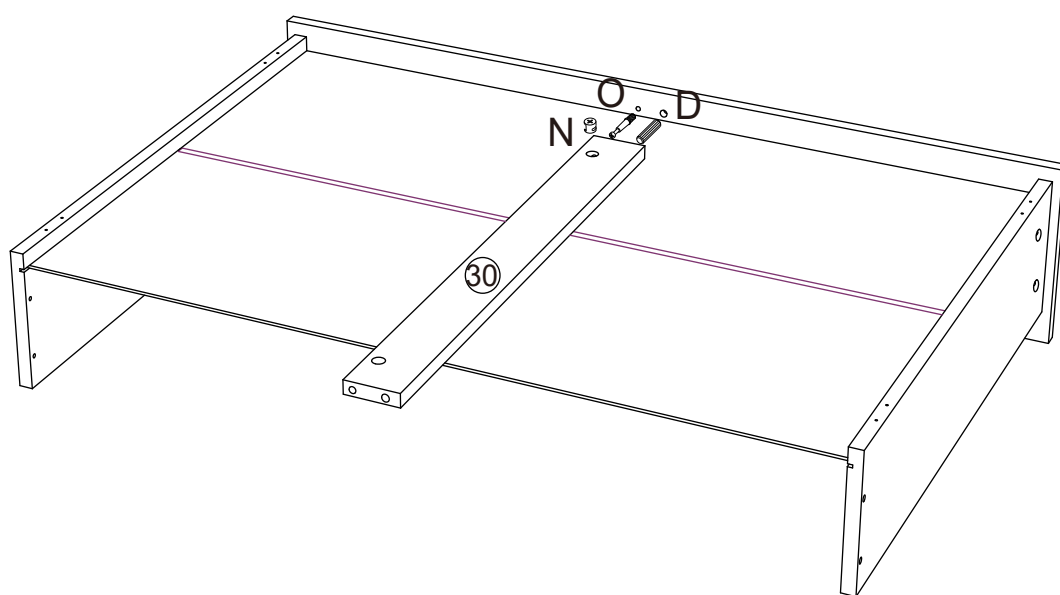


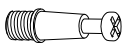


x2

26

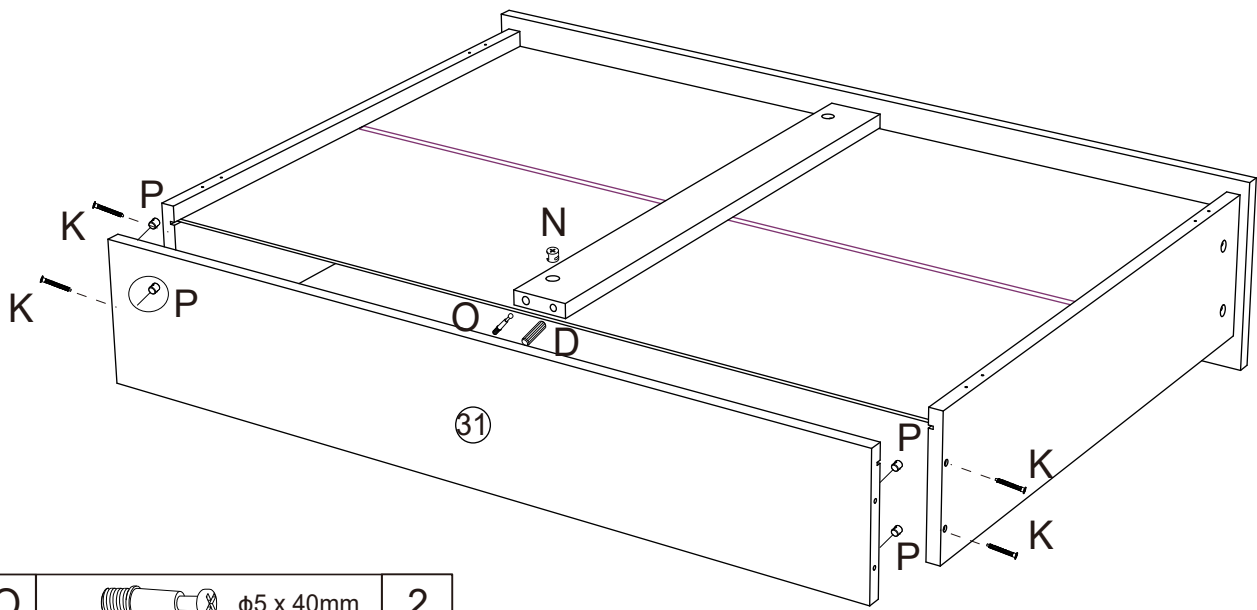


27

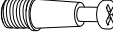






O		φ5 x 40mm	2
N		φ15 x 12mm	2
D		φ8 x 30mm	2

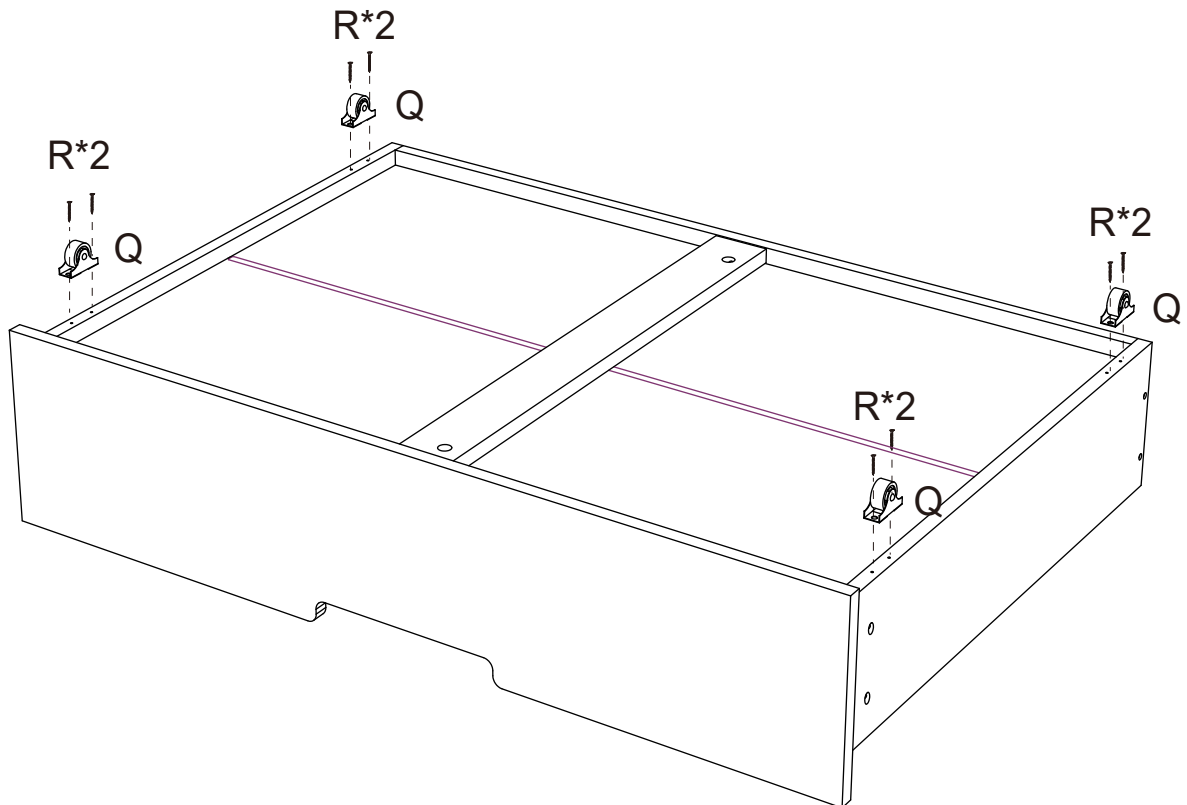
28



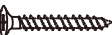

x2

O		φ5 x 40mm	2
N		φ15 x 12mm	2
D		φ8 x 30mm	2
K		φ4 x 40mm	8
P		φ9 x 10mm	8

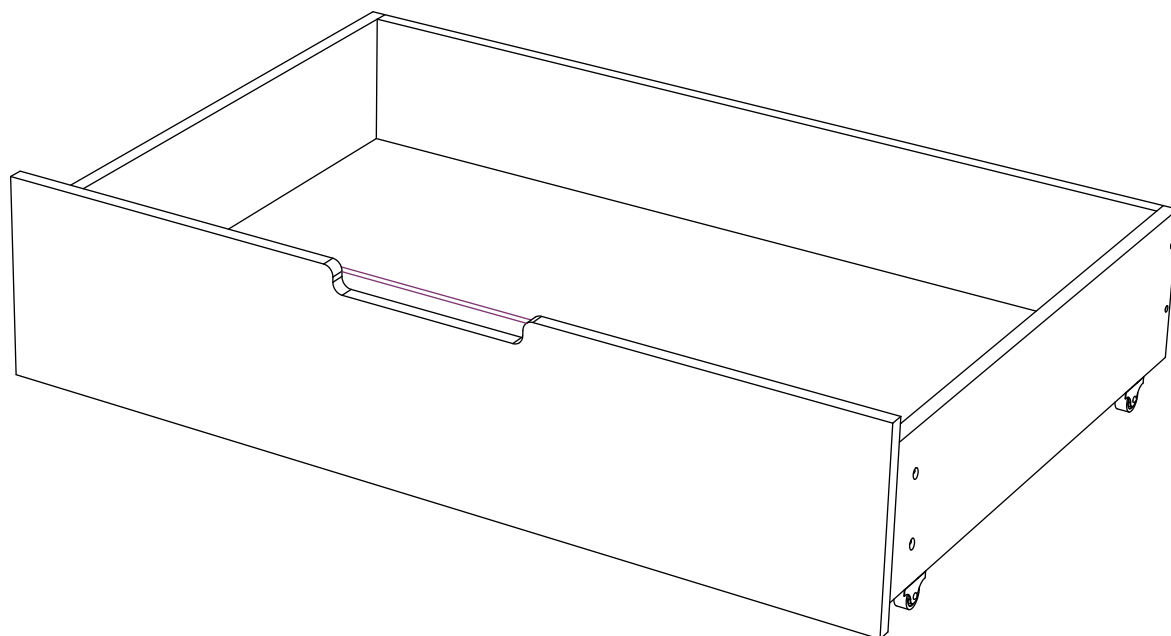
28



x2

R		φ4*16mm	16
Q		H=35mm	8

30



×2

31

