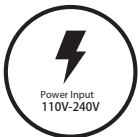
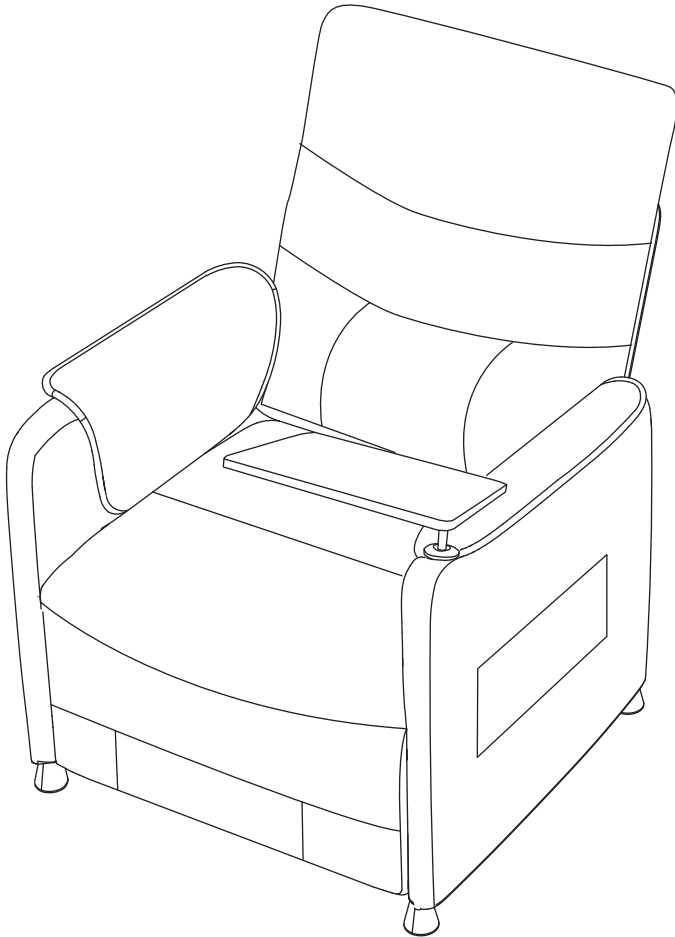
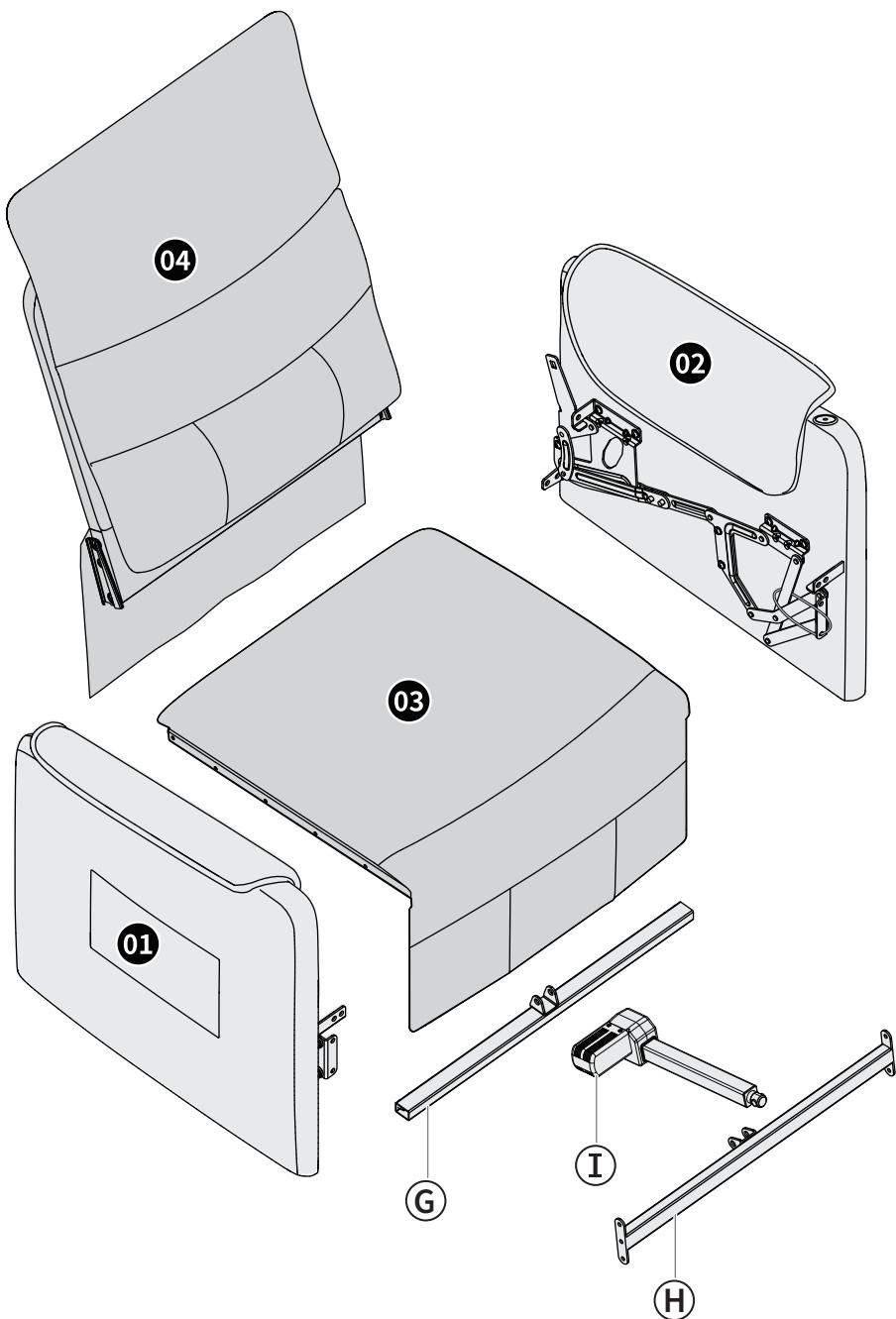


USER MANUAL

Electric Smart Sofa

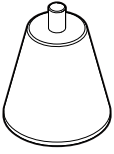


Caution: Do Not Exceed Maximum Listed Weight Capacity.
Serious Injury Or Property Damage May Occur!

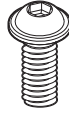




When encountering screw assembly during the assembly process, you can first fasten all the screws of this step into their corresponding holes, and then perform overall tightening.



A x 4



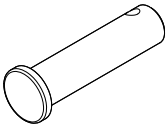
M8 x 20mm

B x 10



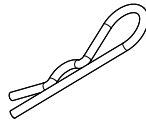
M6 x 15mm

C x 8

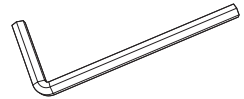


Ø10 x 40mm

D x 2

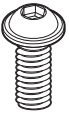


E x 2



3/16" (5mm)

F x 1



M8 x 20mm

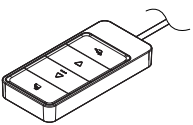
B x 1



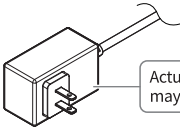
M6 x 15mm

C x 1

Spare screws
(Replacement purposes)

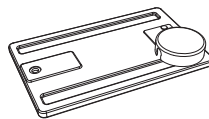


J x 1



K x 1

Actual part
may vary.



L x 1



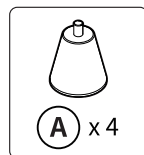
M x 1



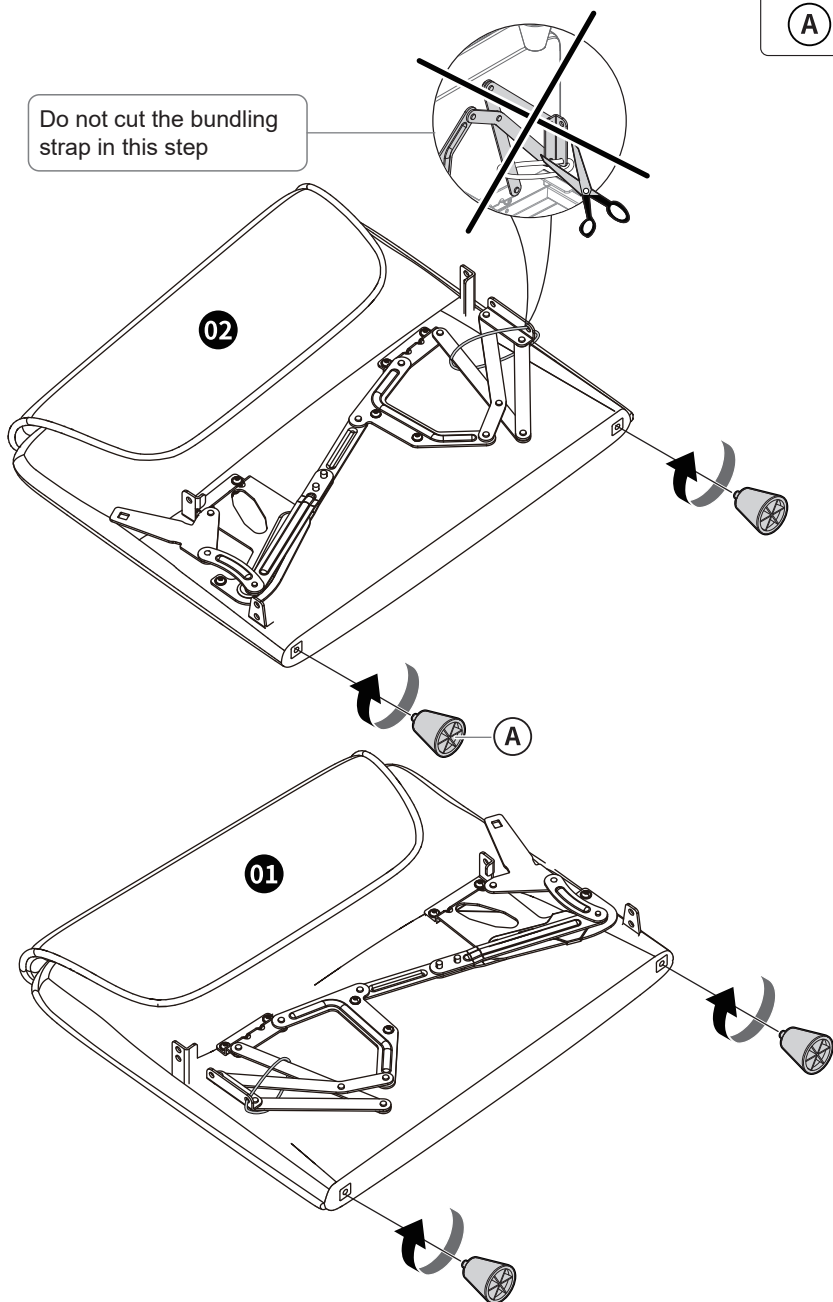
N x 1

1

Install sofa leg A on Part 01 and Part 02.

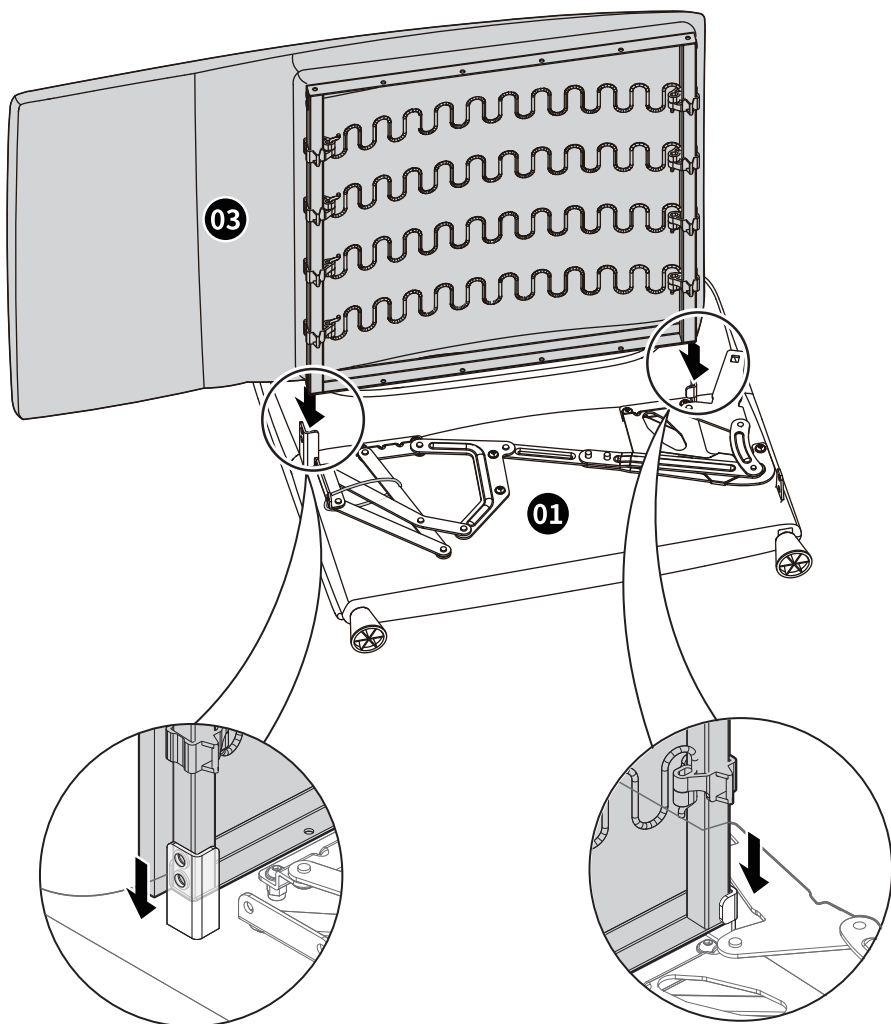


Do not cut the bundling strap in this step



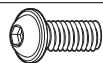
2

Align the mounting holes of Part 03 with those of Part 01, then proceed to the next step.



3

Secure Part 03 and Part 01 with Screw B.



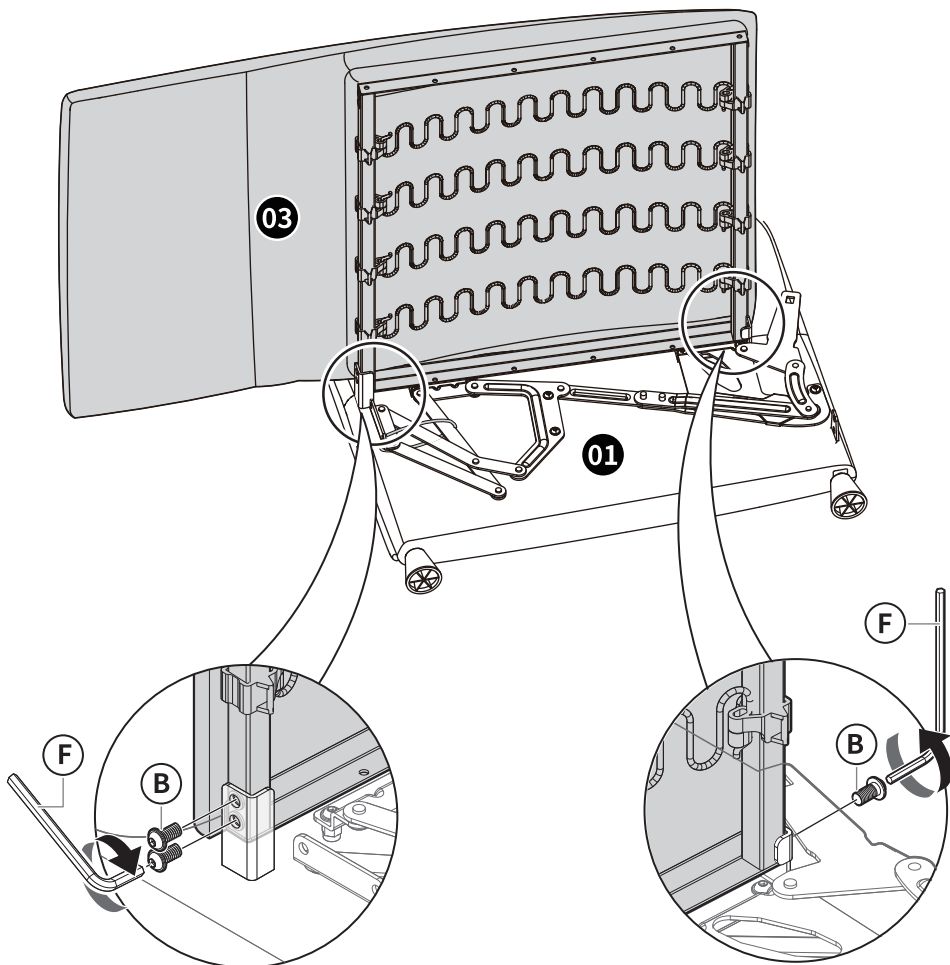
M8 x 20mm

B x 3



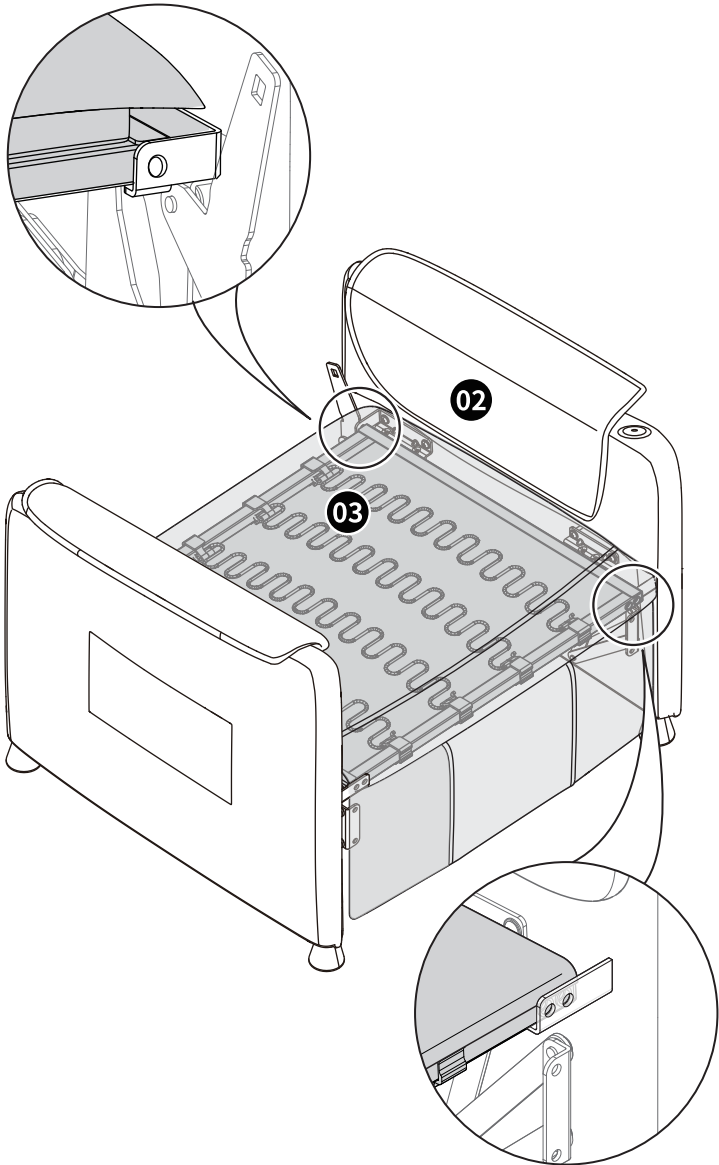
3/16" (5mm)

F x 1



4

Align the mounting holes of Part 03 with those of Part 02, then proceed to the next step.



5

Secure Part 03 and Part 02 with Screw B.



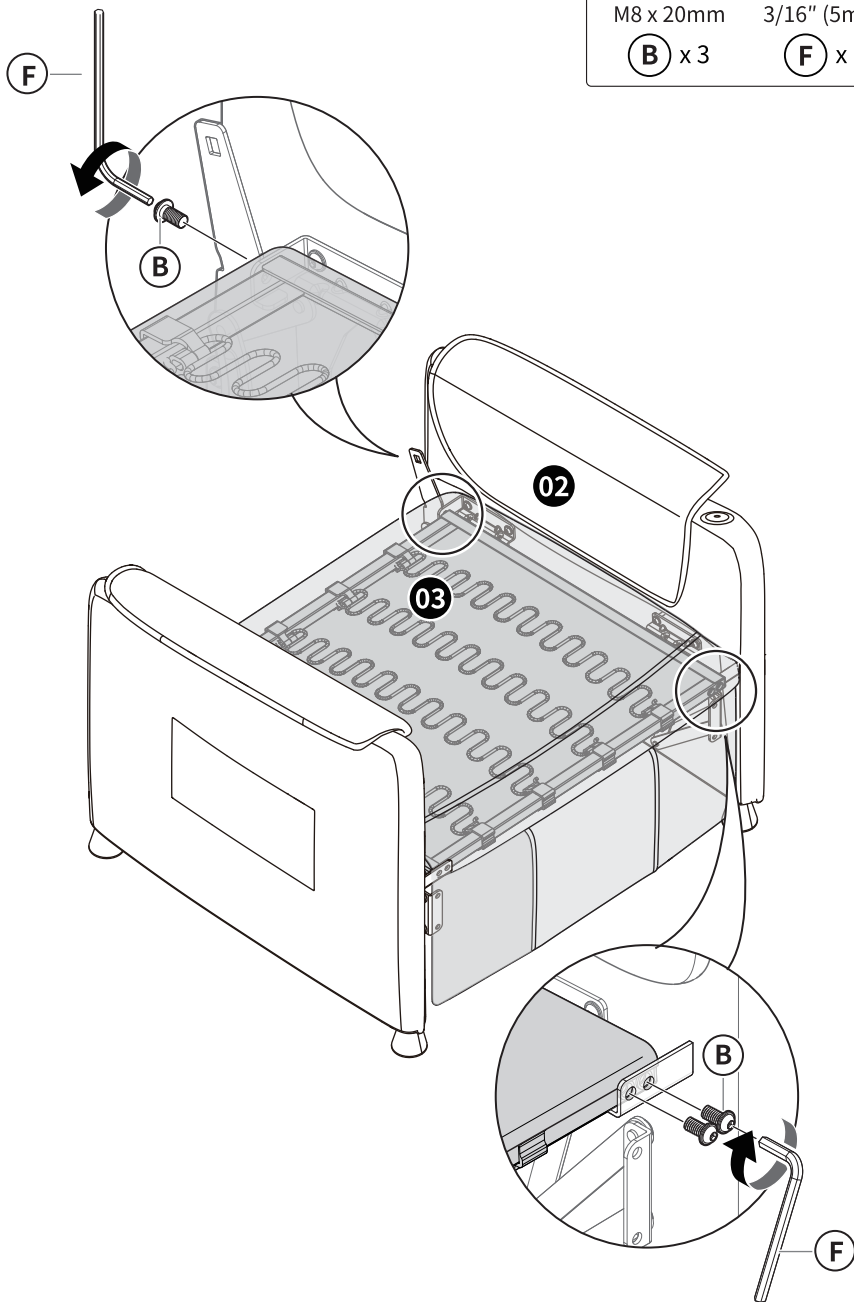
M8 x 20mm

B x 3



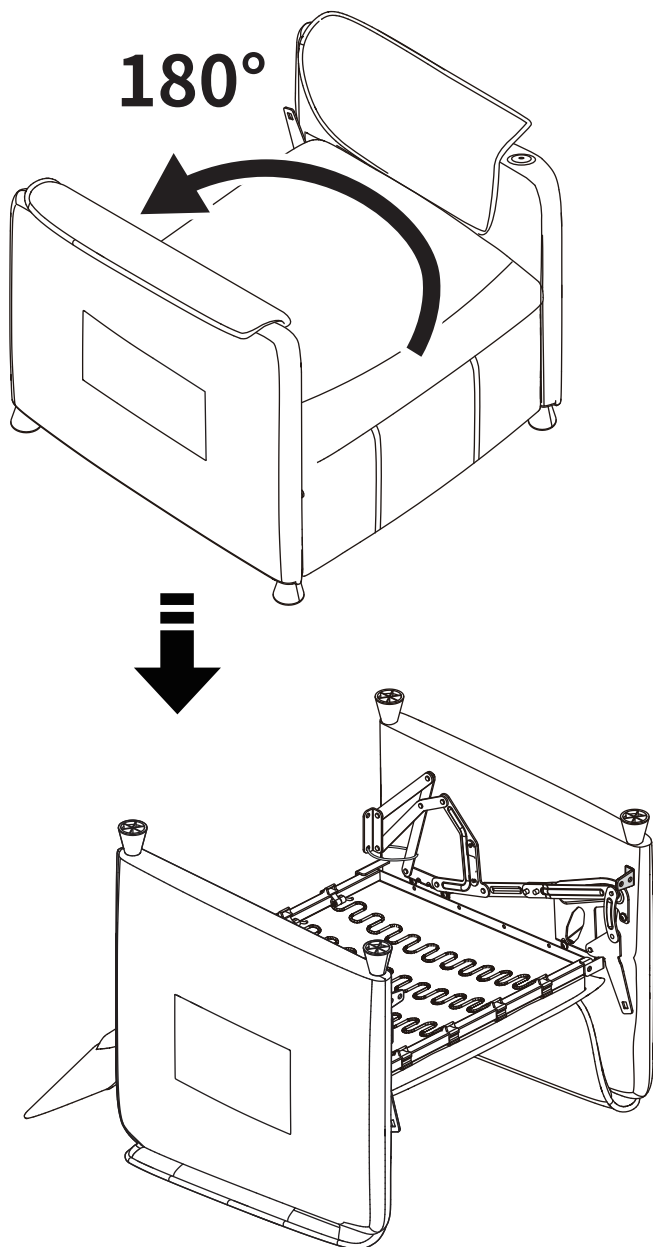
3/16" (5mm)

F x 1



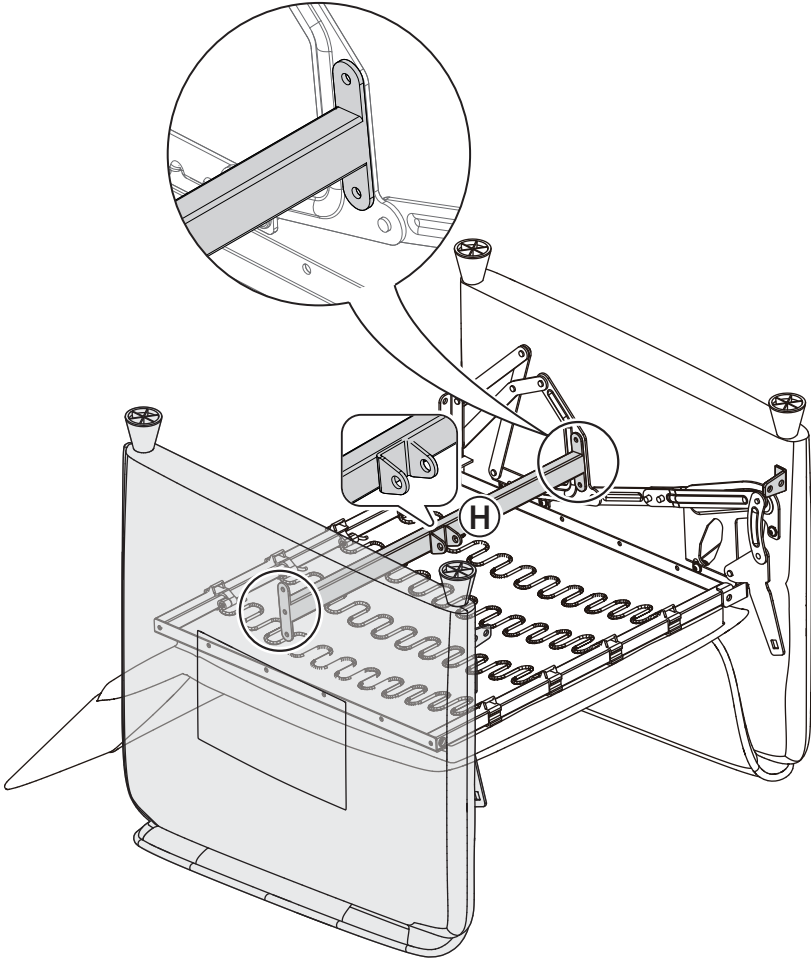
6

Flip the sofa 180 degrees so that its bottom faces upward, then proceed to the next step.



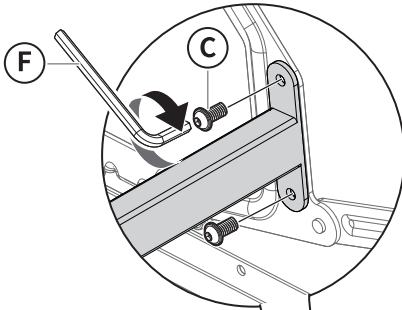
7

Align the mounting holes at both ends of Part H (note the installation direction of Part H).



8

Secure Part H with Screw C.



M6 x 15mm



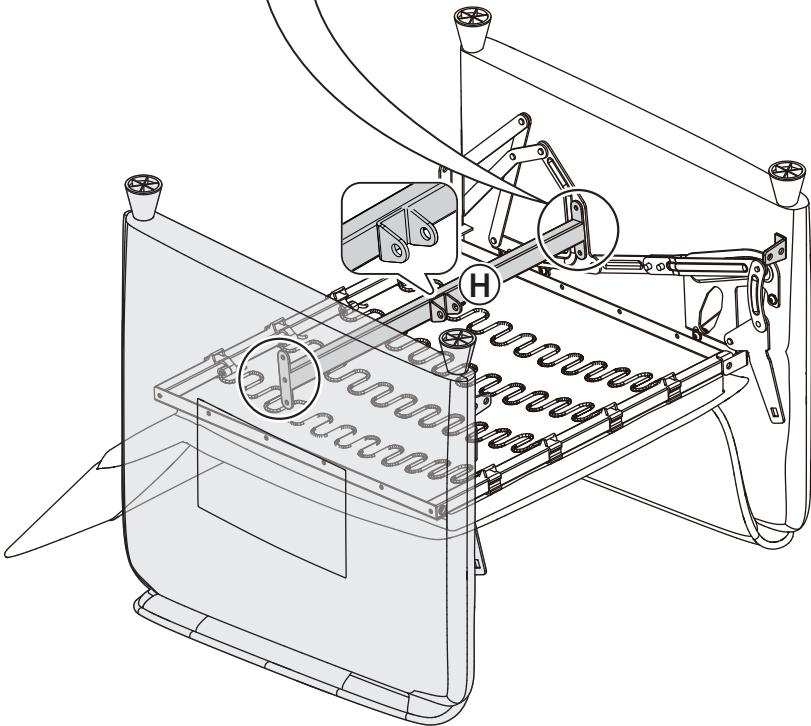
3/16" (5mm)



x 4

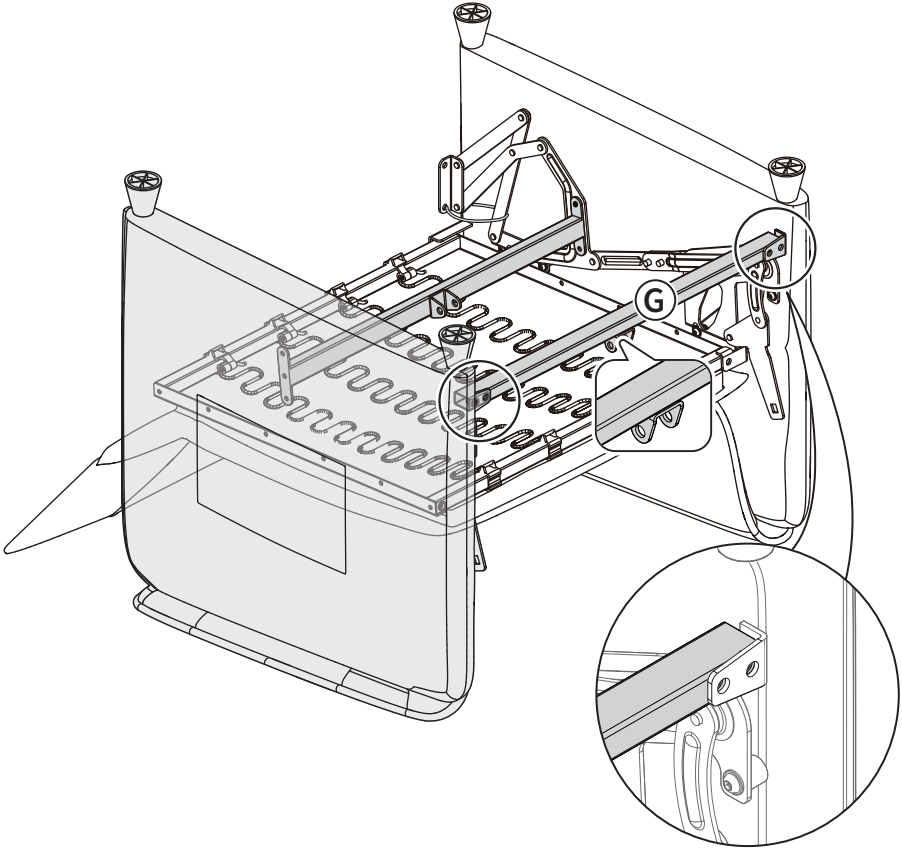


x 1



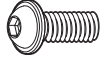

9

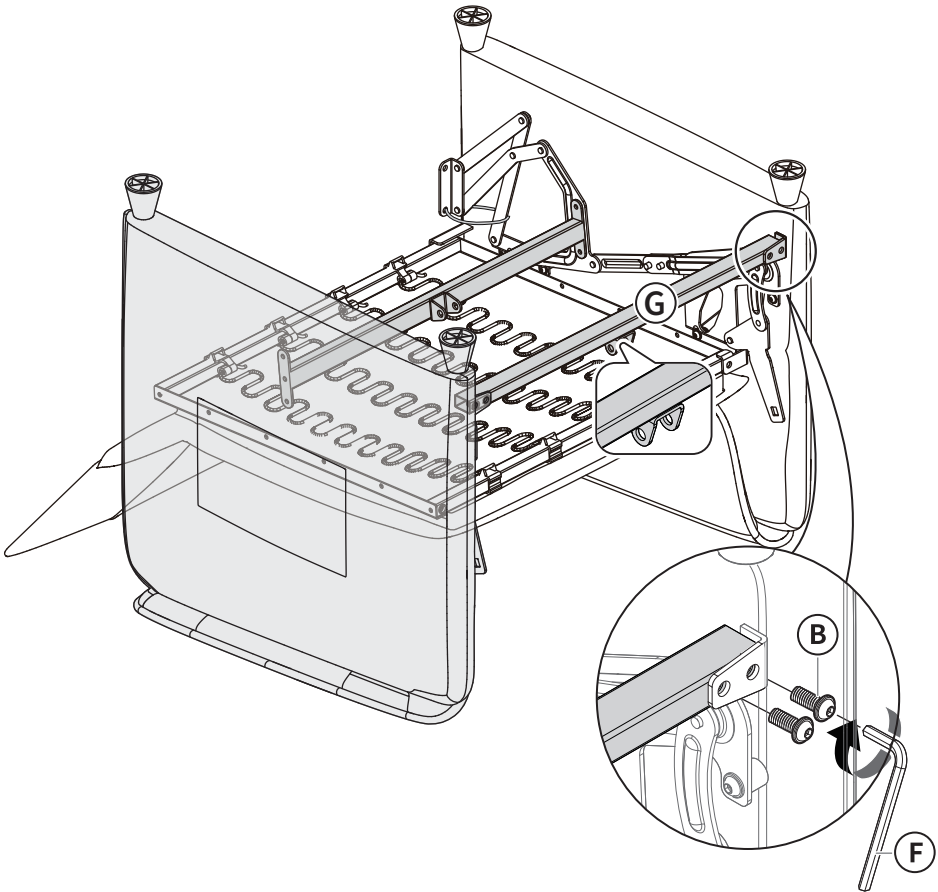
Align the mounting holes at both ends of Part G (note the installation direction of Part G).



10

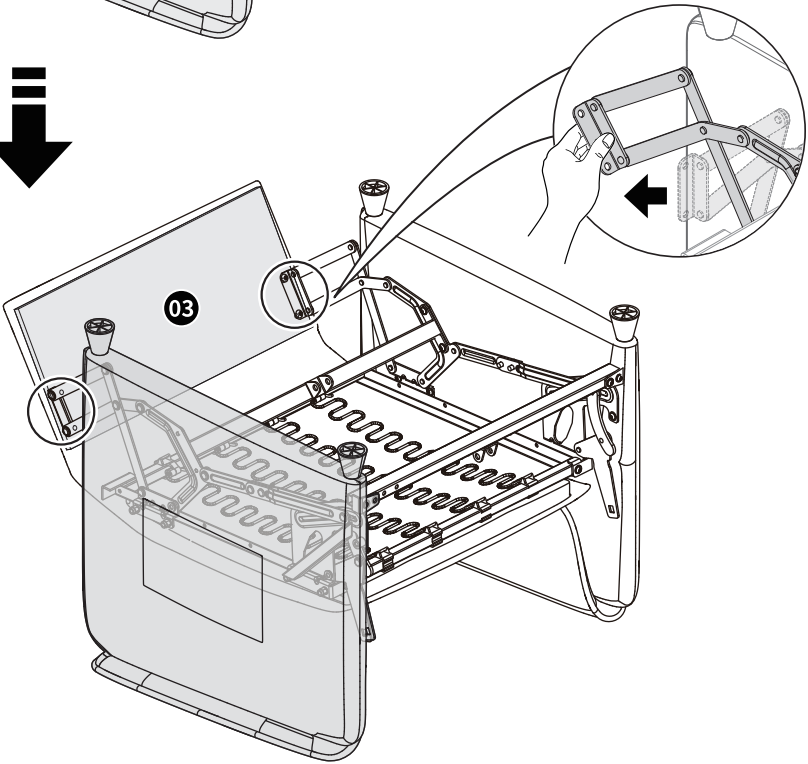
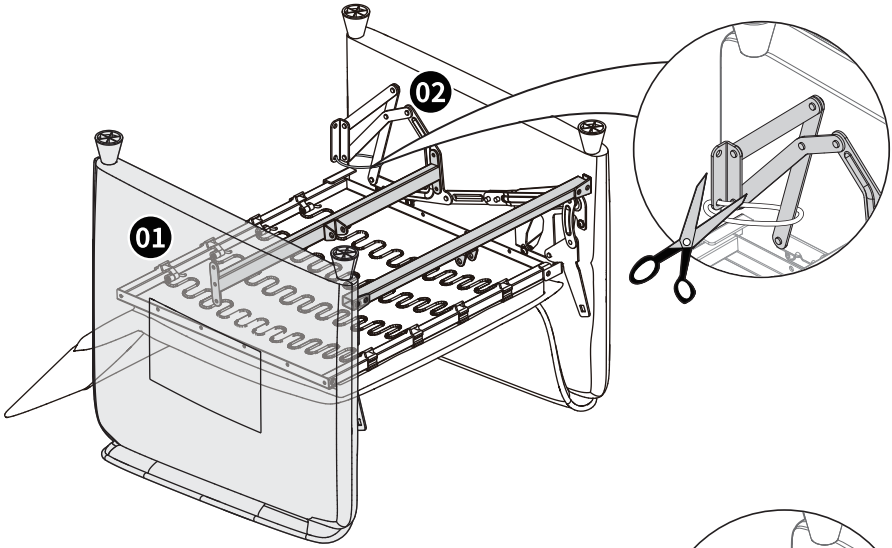
Secure Part G with Screw B.

| | |
|---|--|
|  |  |
| M8 x 20mm | 3/16" (5mm) |
| (B) x 4 | (F) x 1 |



11

Cut off the bundling strap on Part 01 and Part 02, open the hinges, and then align them with the holes on Part 03.



12

Secure with Screw C.



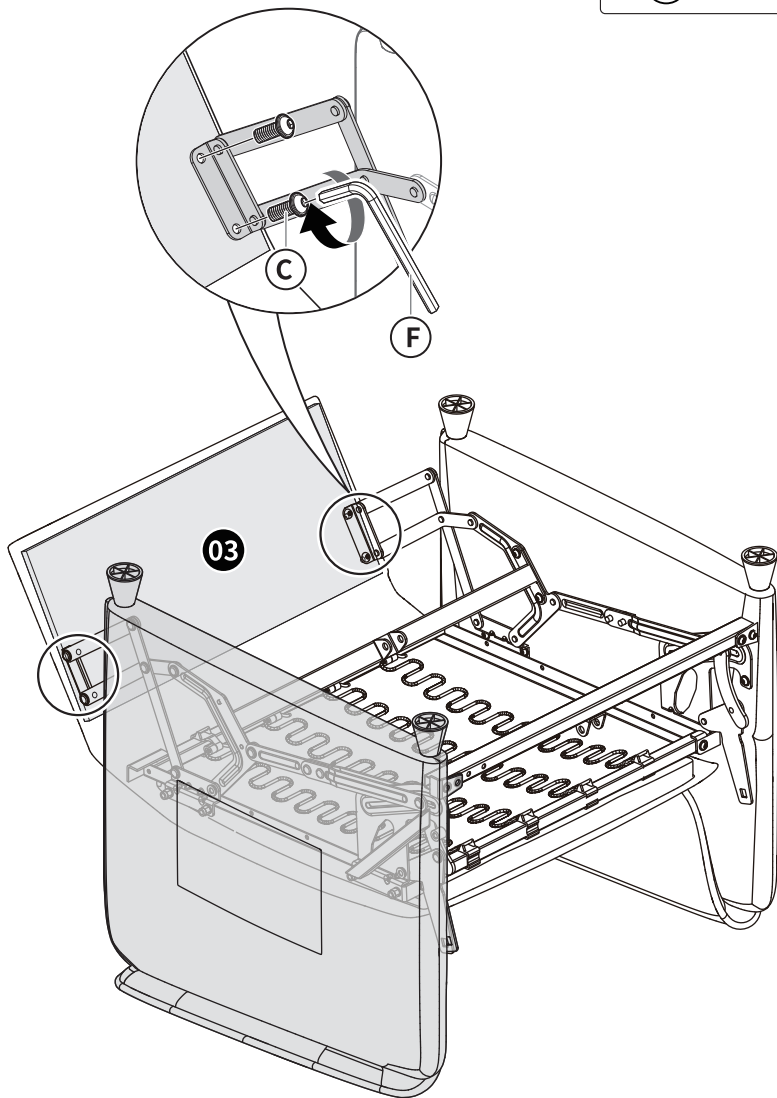
M6 x 15mm

C x 4



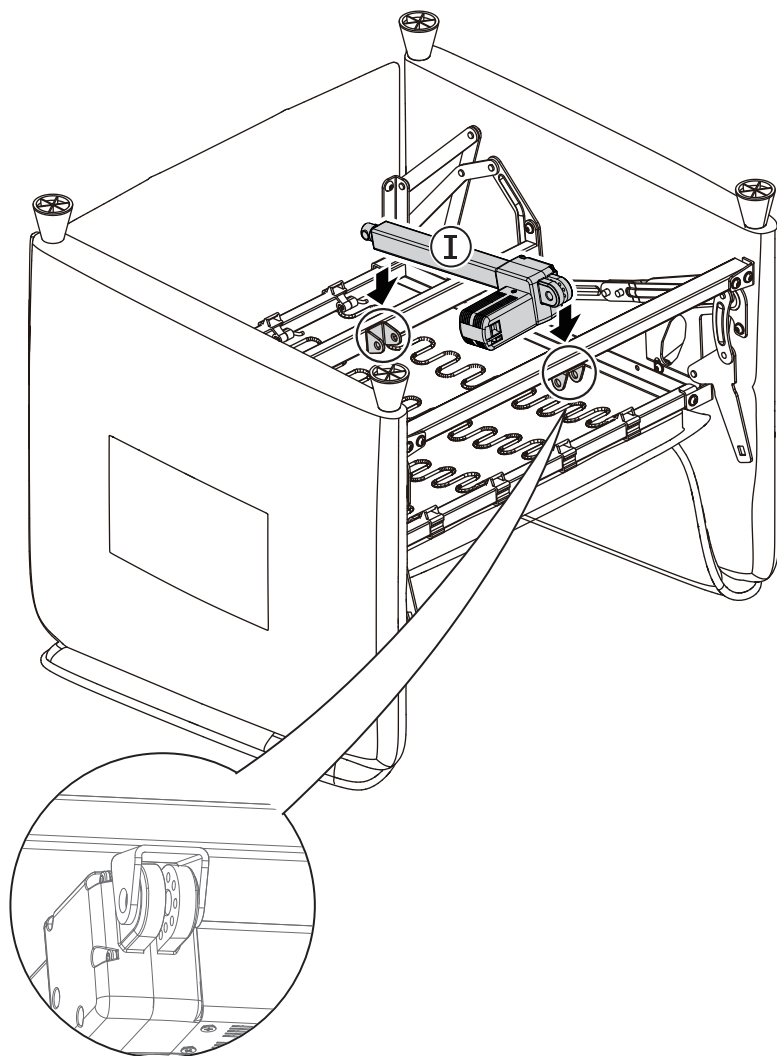
3/16" (5mm)

F x 1



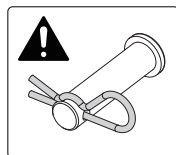
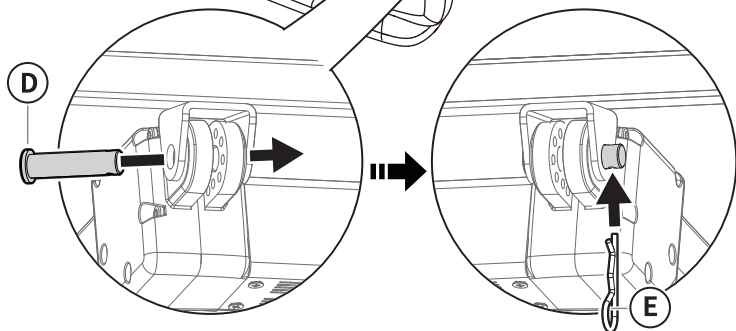
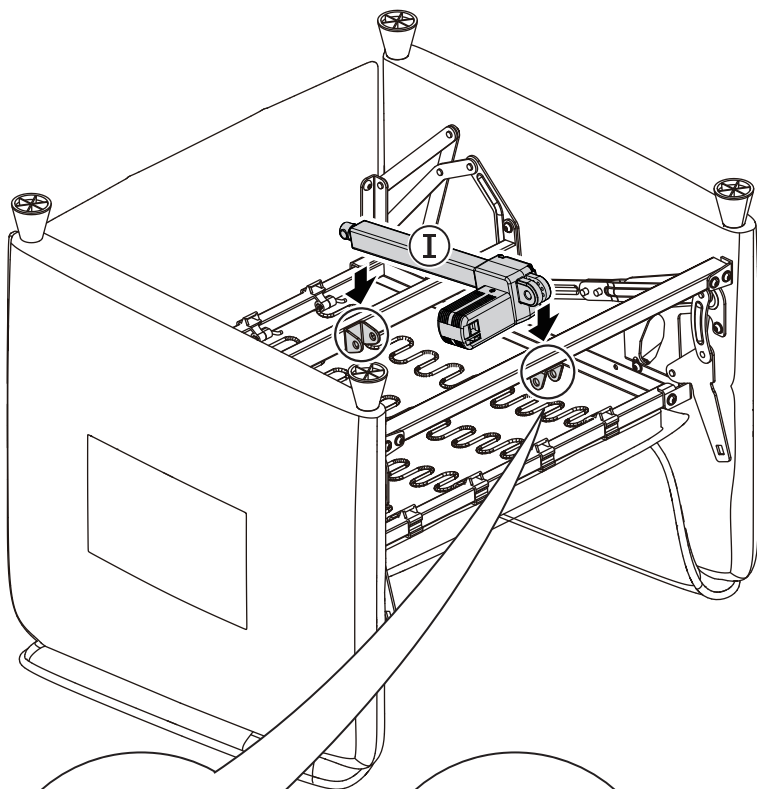
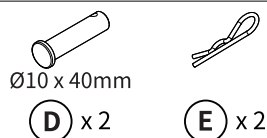
13

Align the mounting holes at both ends of Part I (note the installation direction of Part I).



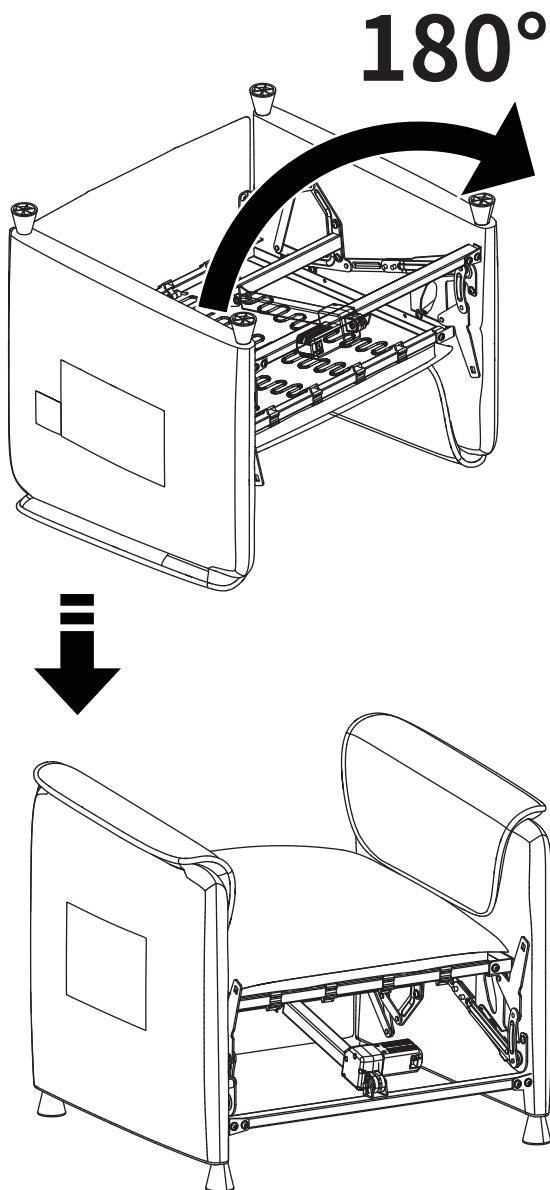
14

Secure both ends of Part I with Bolt D and Circlip E.



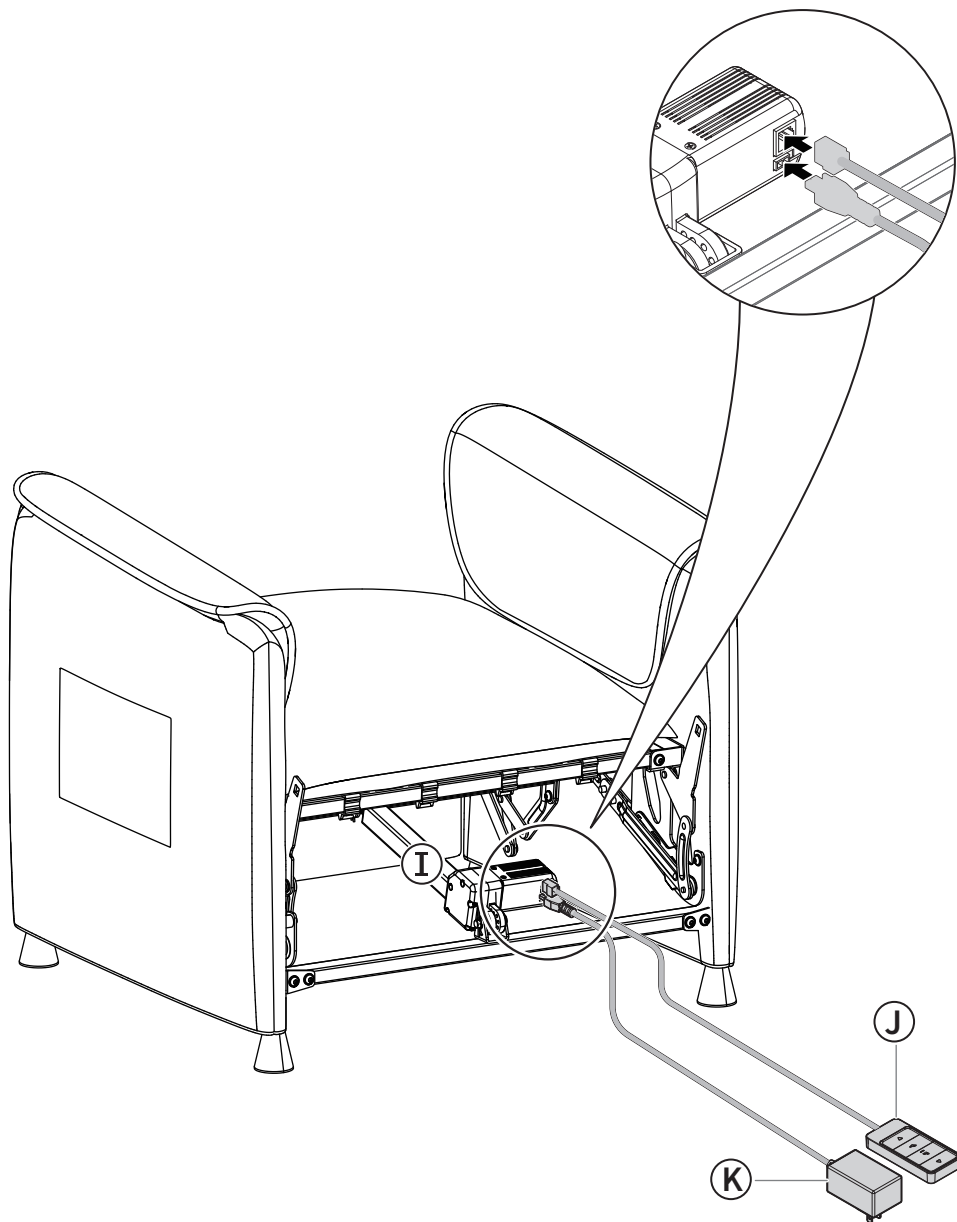
15

Flip the sofa 180 degrees so that its front faces upward.



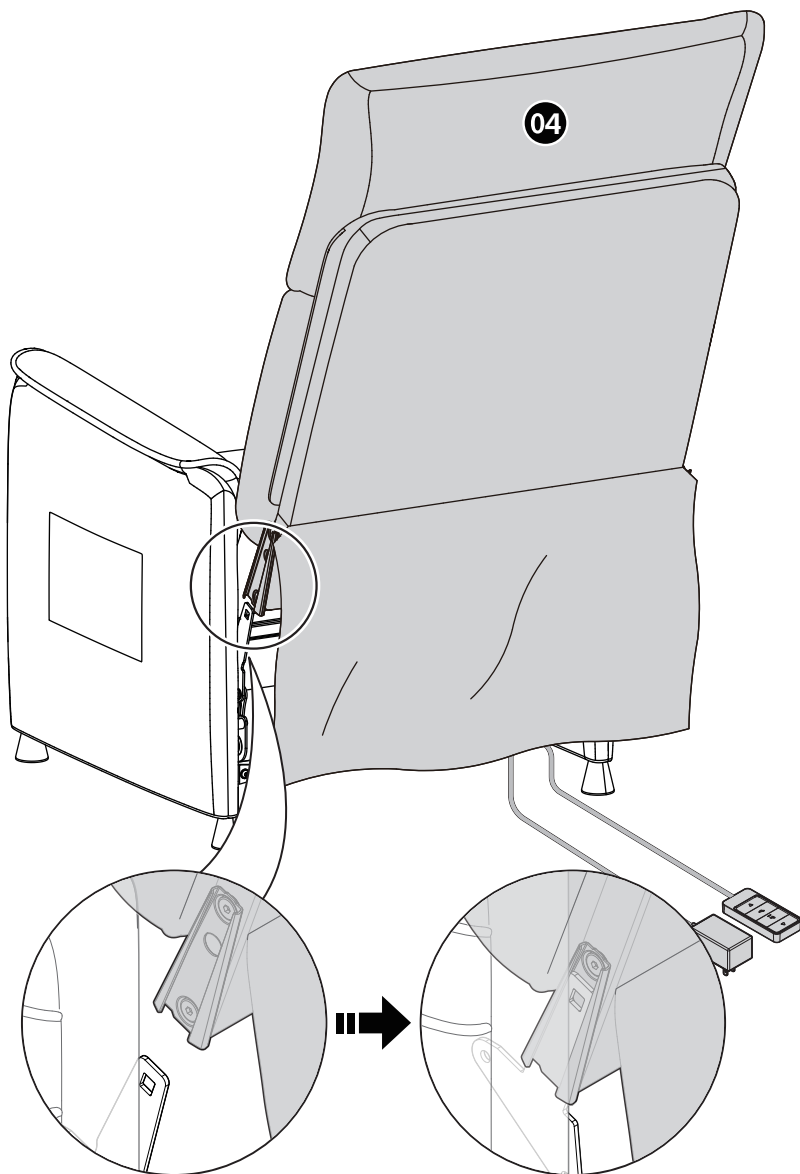
16

Connect Power Supply K and Remote Control J to Part I.



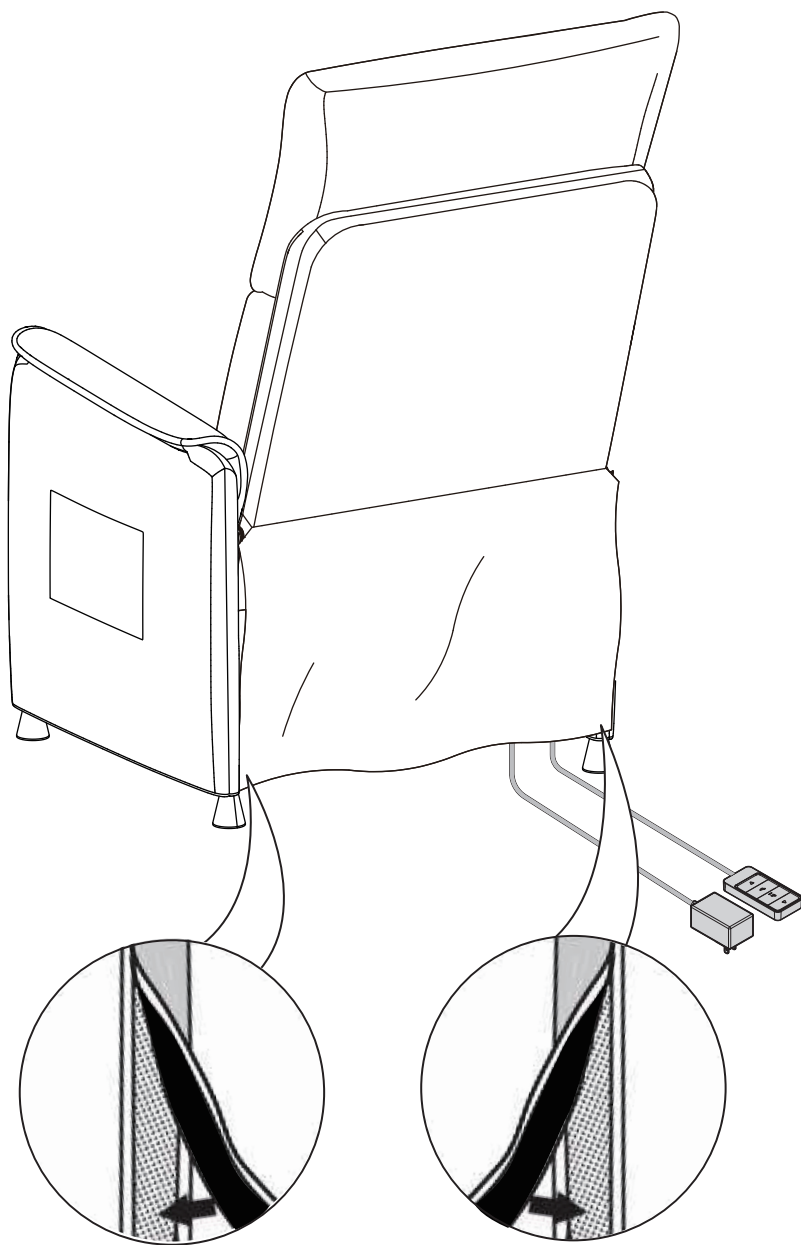
17

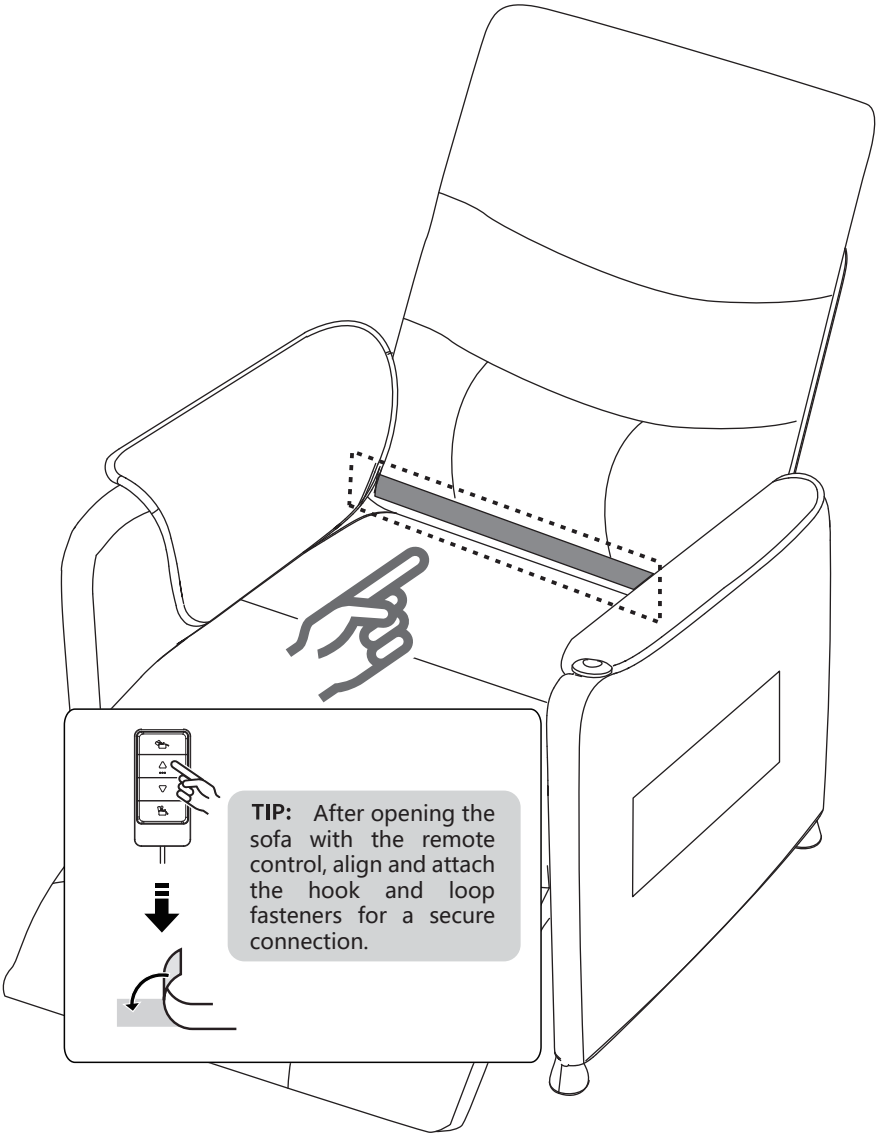
Align the bolts on both sides of Backrest 04 with those on the seat, press down firmly, and the installation is complete when a "click" is heard.



18

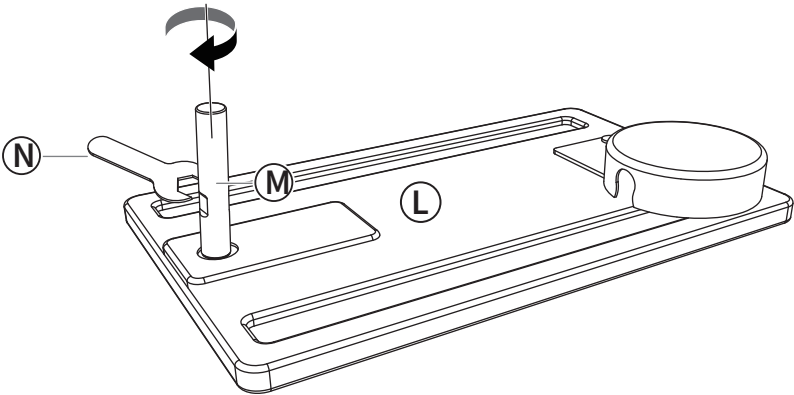
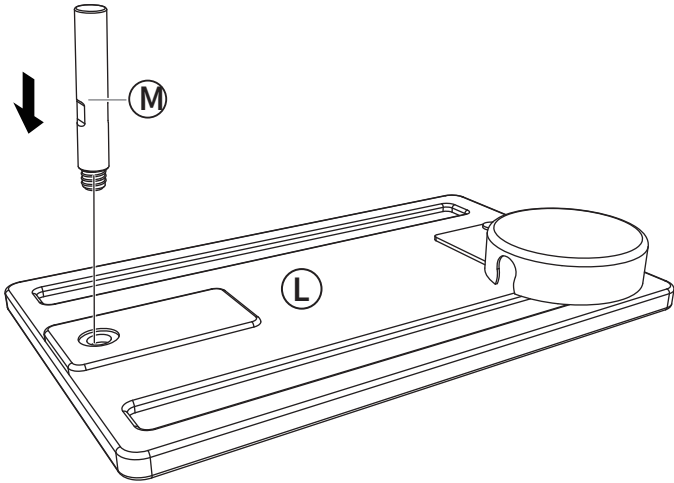
Stick the Velcro at the back end of the backrest properly.





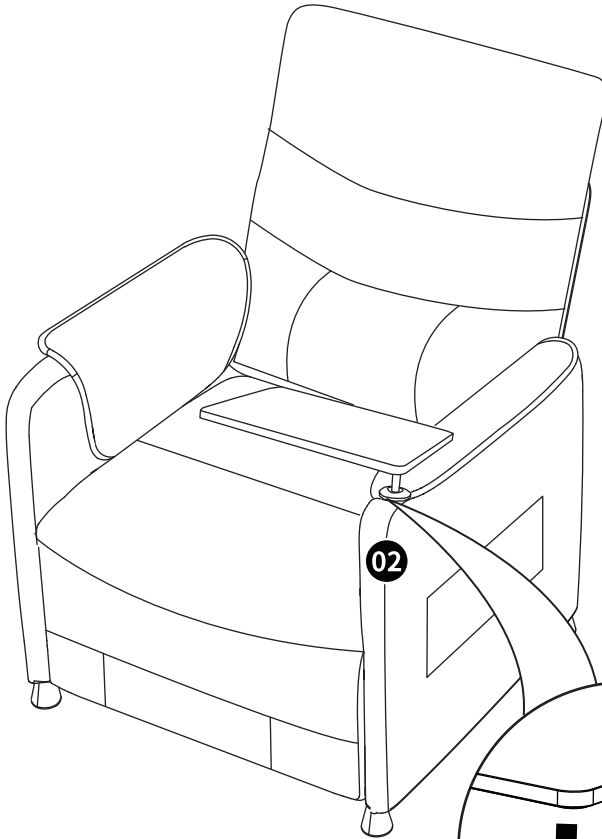
20

Tabletop Assembly : Secure Component M in the mounting hole of Tabletop L, and tighten it with Component N.

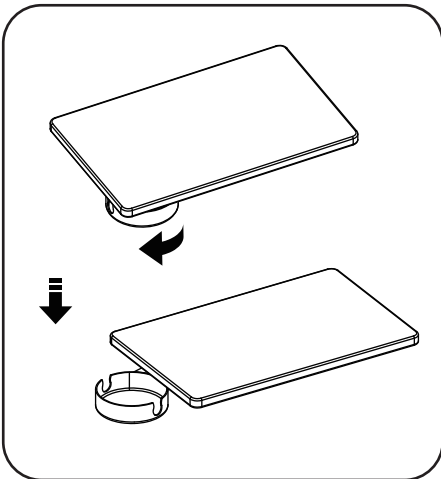
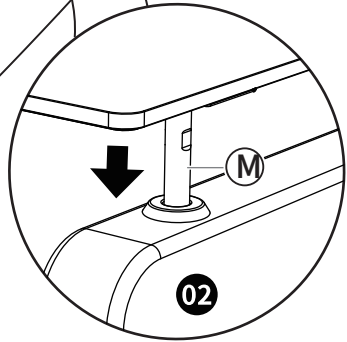


21

Insert the assembled tabletop vertically into the bracket hole of Armrest 2 via Part M.



02



The sofa is tidied up before use

The sponge requires rebound time after compression, which can be patted to correct the position and accelerate rebound



①



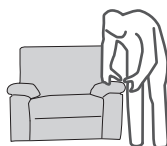
②



③



④



Attention

Error example



Please do not retract the sofa footrest with your hands.



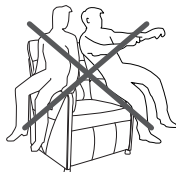
Please do not retract the sofa footrest with your feet.



Please do not put any body parts in the gaps between the backrest and armrests.

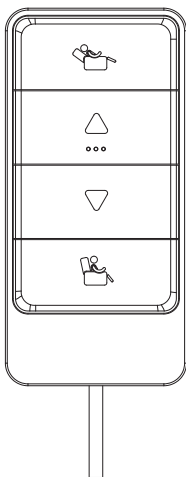


Please do not jump on the sofa.


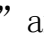
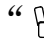


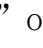


Please do not sit on the armrests.

Manual controller instructions



Operating Instructions:

1. Press and hold the “ \triangle ” button to gradually raise the sofa to the reclined position.
2. Press and hold the “ ∇ ” button to gradually return the sofa to the seated position.
3. Memory function: “” and “” are angle memory buttons. To memorize Angle 1, open the sofa to the desired Angle 1, then press and hold button “” for 5 seconds to save it. To memorize Angle 2, open the sofa to the desired Angle 2, then press and hold button “” for 5 seconds to save it. For subsequent use, simply press button “” or “” to restore to the memorized angle.

Note: Do not place your hands or body between the backrest and the seat while adjusting the sofa.