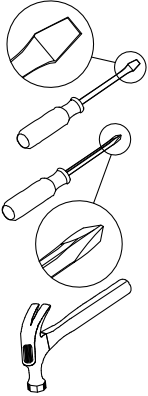


Before You Start



- ✓ Read through each step carefully and follow the proper order
- ✓ Separate and count all your parts and hardware
- ✓ Give yourself enough room for the assembly process
- ✓ Have the following tools: Flat Head Screwdriver, #2 Phillips Head Screwdriver and Hammer
- ✓ Caution: If using a power drill or power screwdriver for screwing, Please slow down or stop when the screw is tightened. Otherwise it may cause the screws to peel off.

Helpful Hints

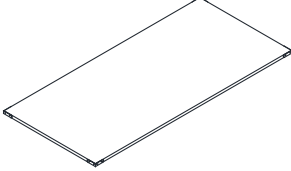
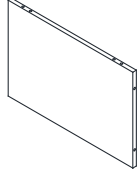
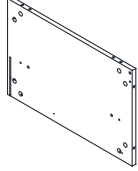
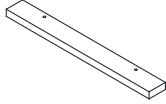
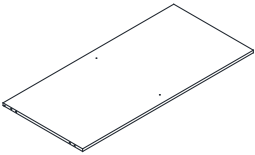
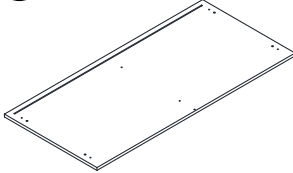
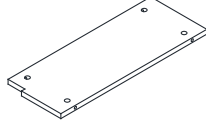
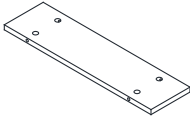
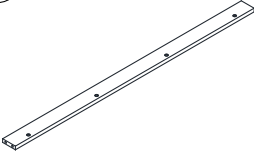
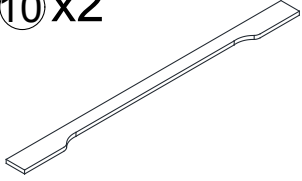

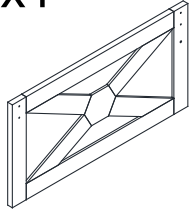
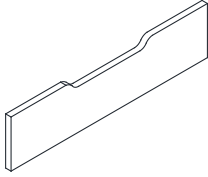
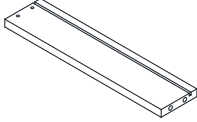
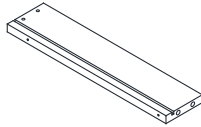
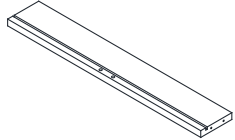
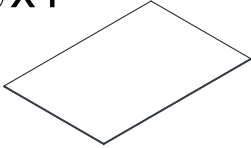
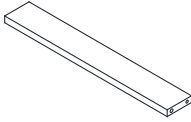
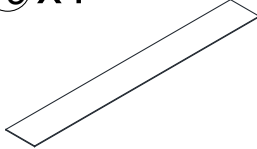
PEOPLE NEEDED FOR ASSEMBLY: 1-2

- Open your item in the area you plan to keep it to avoid excessive heavy lifting.
- Identify, sort and count the parts before attempting to assembly.
- Compression dowels are lightly tapped in with a hammer.
- Slides are labeled with an **R** (right) and **L** (left) for proper placement.
- Make sure to always face the point on the top of the Cam Lock towards the outer edge.
- Use all the nails provided for the back panel and spread them out equally.
- Back panel must be used to make sure your unit is sturdy.
- Do NOT use harsh chemicals or abrasive cleaners on this item.
- Never push, pull, or drag your furniture.

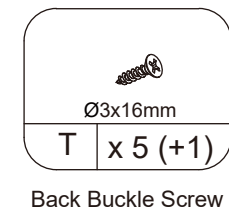
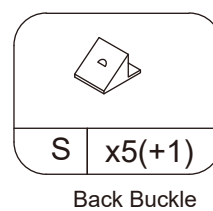
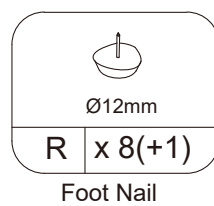
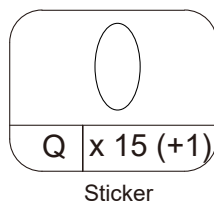
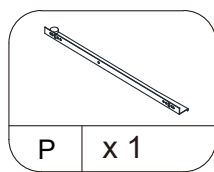
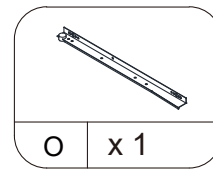
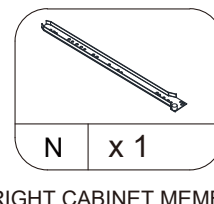
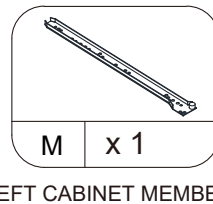
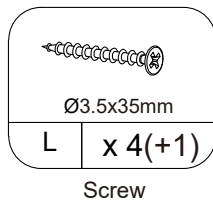
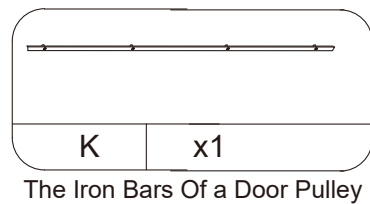
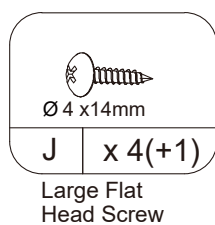
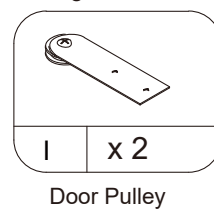
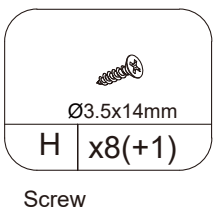
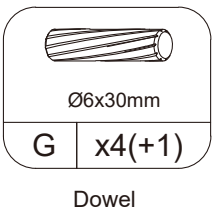
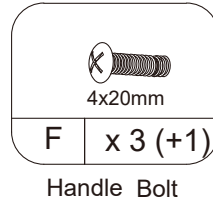
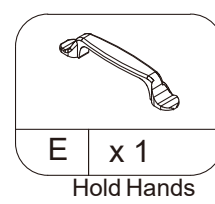
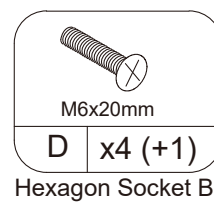
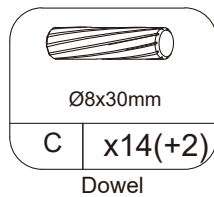
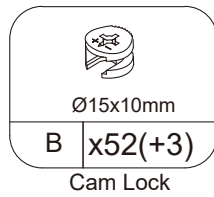
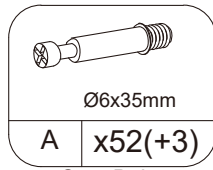


Board Identification

Not actual size

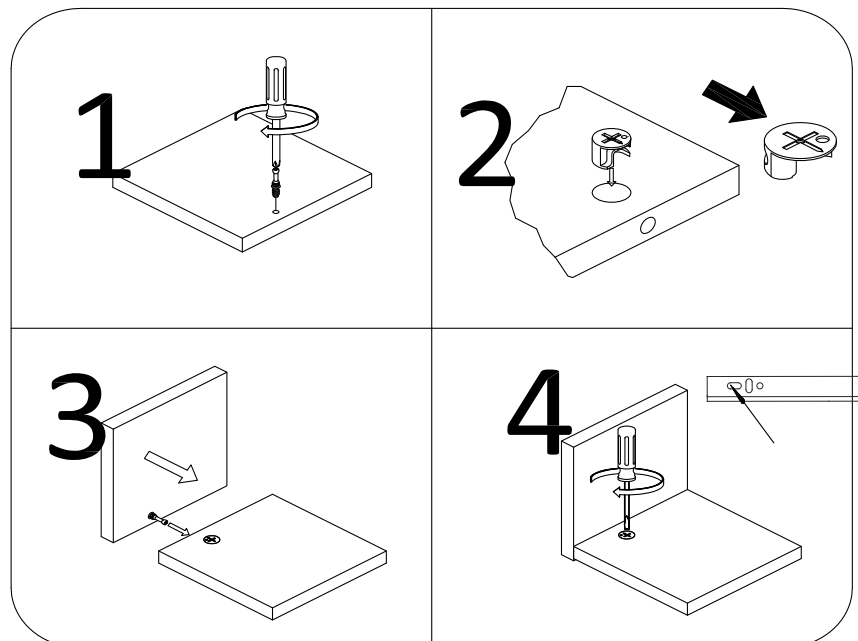
<p>① x1</p>  <p>Roof Plate</p>	<p>② x1</p>  <p>Left Side Plate</p>	<p>③ x1</p>  <p>Right Side Plate</p>	<p>④ x4</p>  <p>Front Vertical Bar Of Side Panel</p>
<p>⑤ x1</p>  <p>Upper Fixing Plate</p>	<p>⑥ x1</p>  <p>Bottom Plate</p>	<p>⑦ x1</p>  <p>Upper Support Plate</p>	<p>⑧ x1</p>  <p>Lower Support Plate</p>
<p>⑨ x1</p>  <p>Fixed Slide Plate</p>	<p>⑩ x2</p>  <p>Front And Rear Cross Bars Under Base Plate</p>	<p>⑪ x2</p>  <p>Left And Right Vertical Bars Under Bottom Plate</p>	<p>⑫ x1</p>  <p>Door Frame</p>
<p>⑬ x1</p>  <p>Drawer Panel</p>	<p>⑭ x1</p>  <p>Drawer Left Panel</p>	<p>⑮ x1</p>  <p>Drawer Right Panel</p>	<p>⑯ x1</p>  <p>Drawer Back Panel</p>
<p>⑰ x1</p>  <p>Drawer Bottom Plate</p>	<p>⑱ x1</p>  <p>Drawer Support Plate</p>	<p>⑲ x1</p>  <p>Back Panel</p>	

Part List

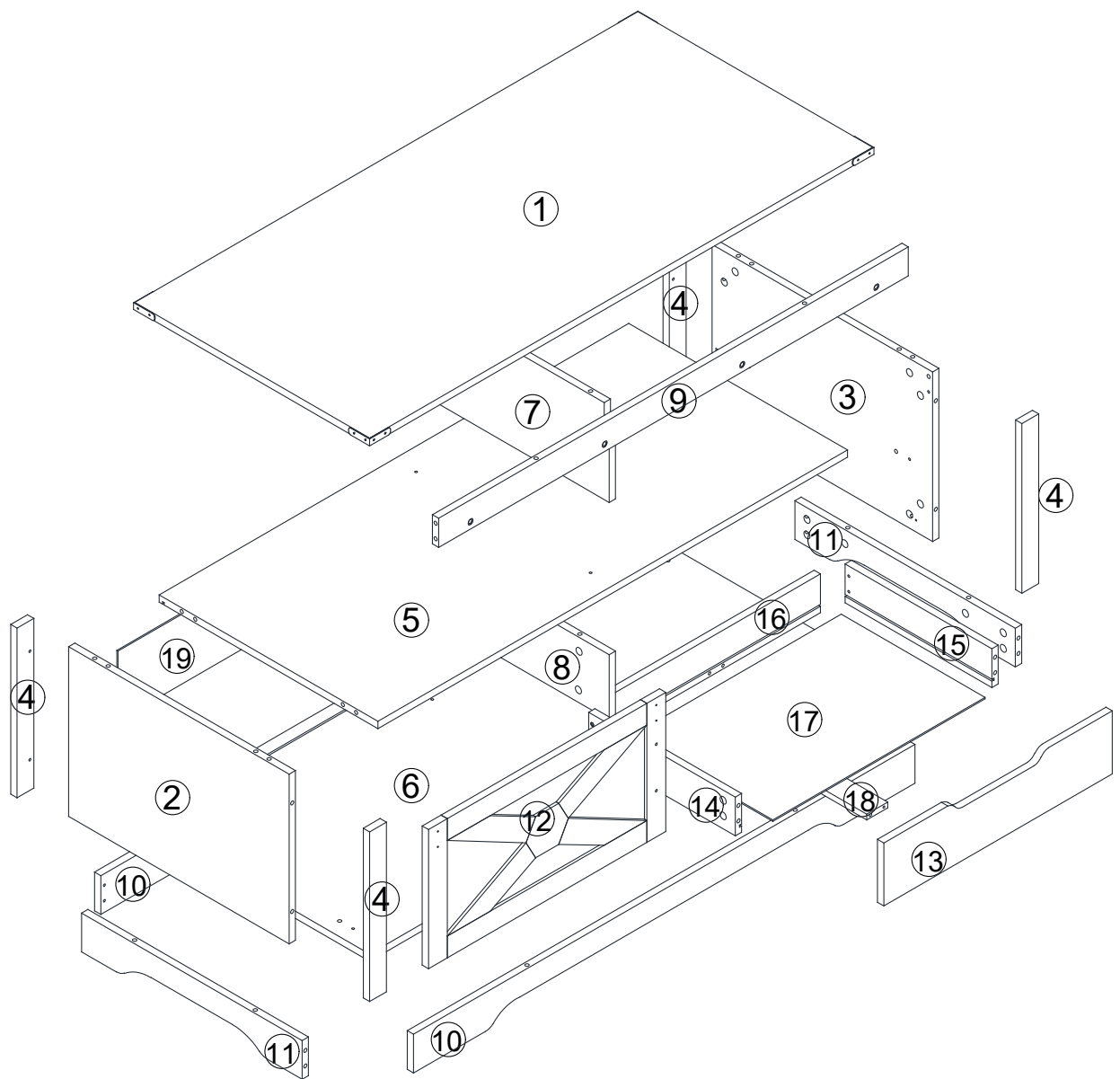


Cam Lock Fastening System

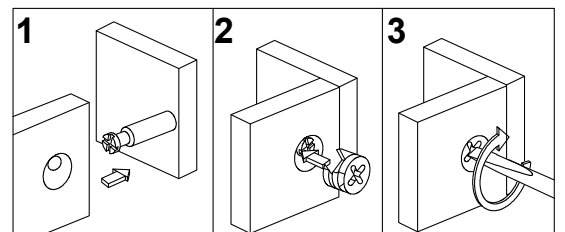
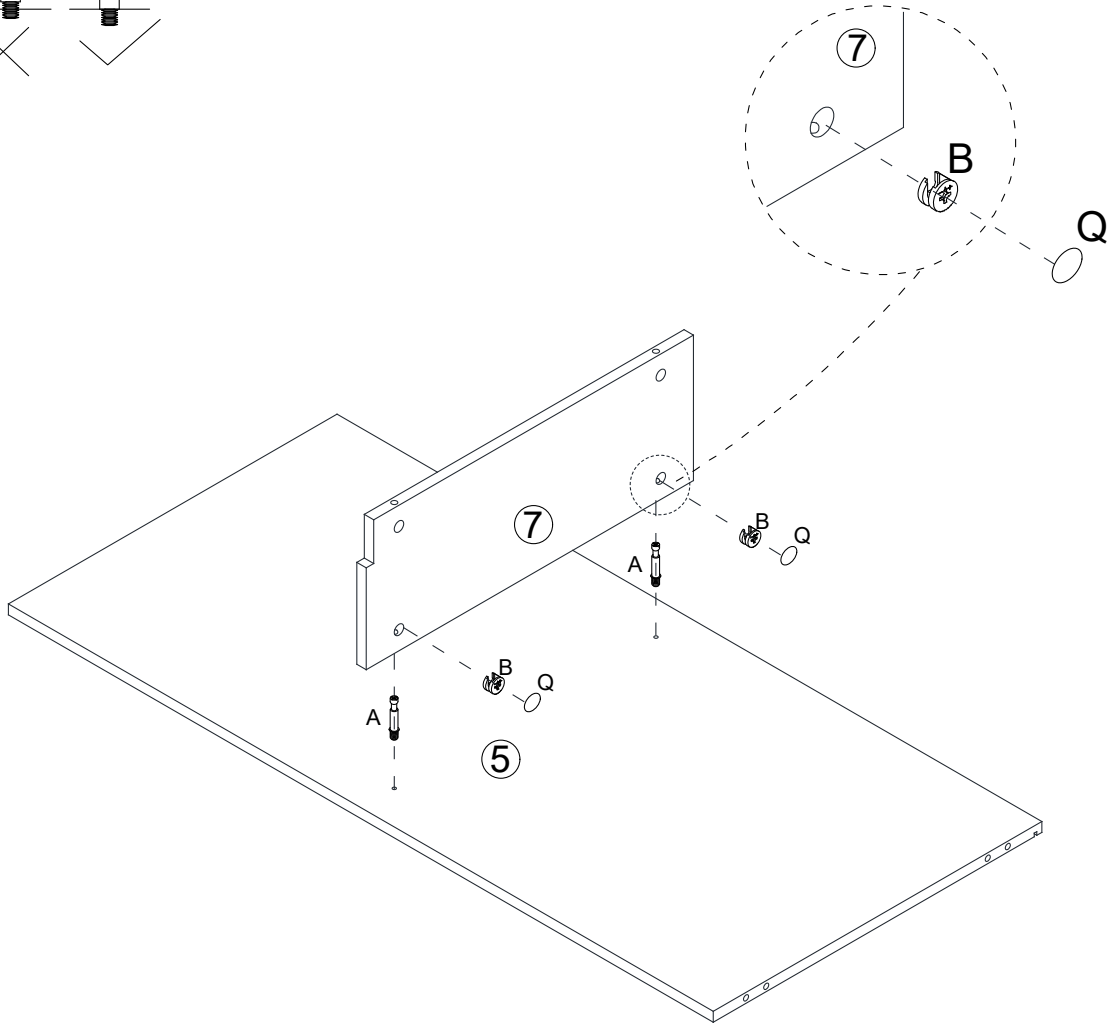
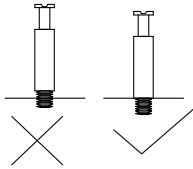
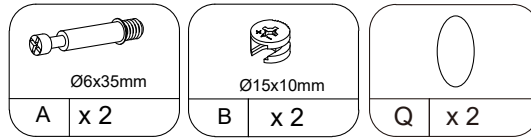
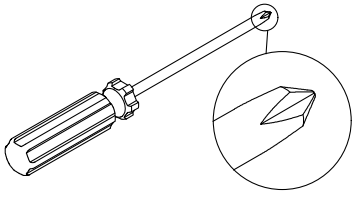
This Cam Lock Fastening System will be used throughout the assembly process.



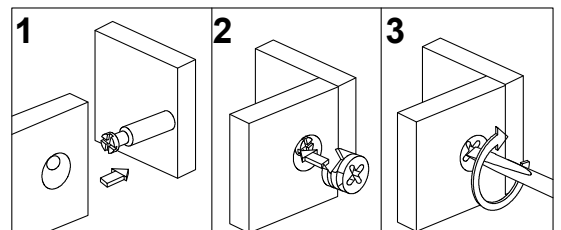
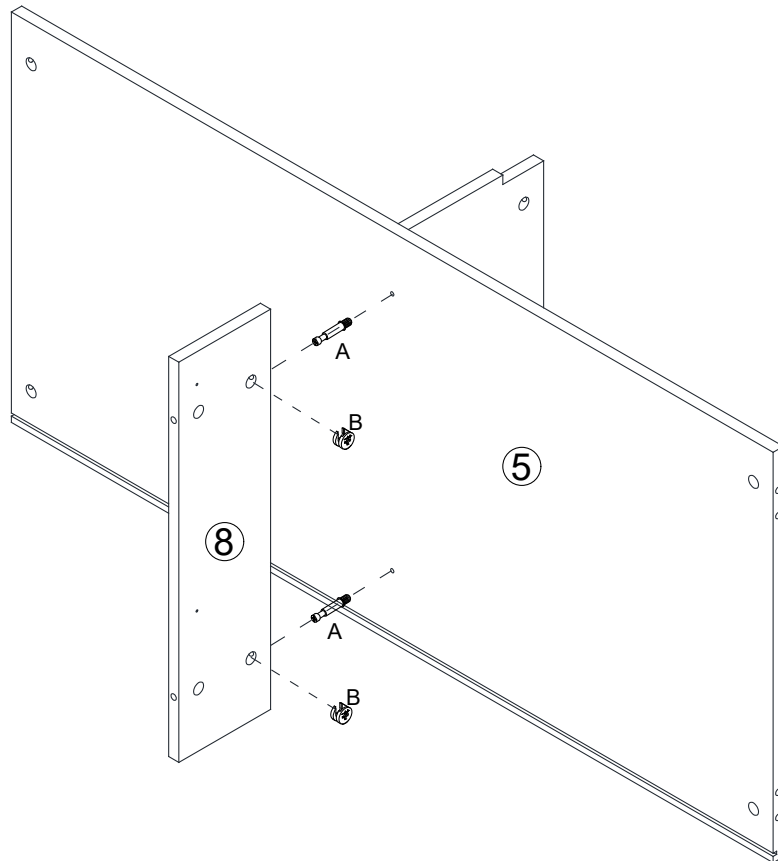
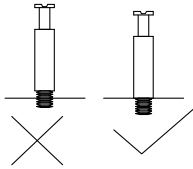
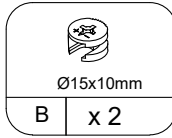
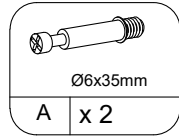
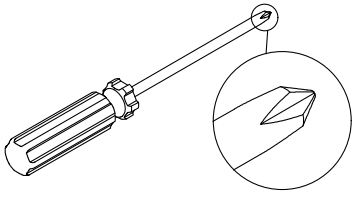
Board Identification



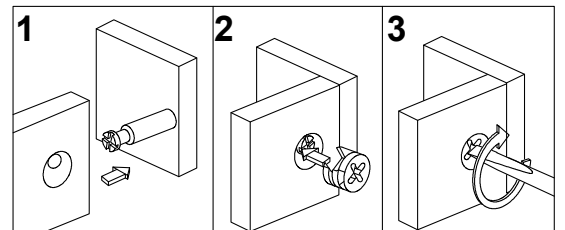
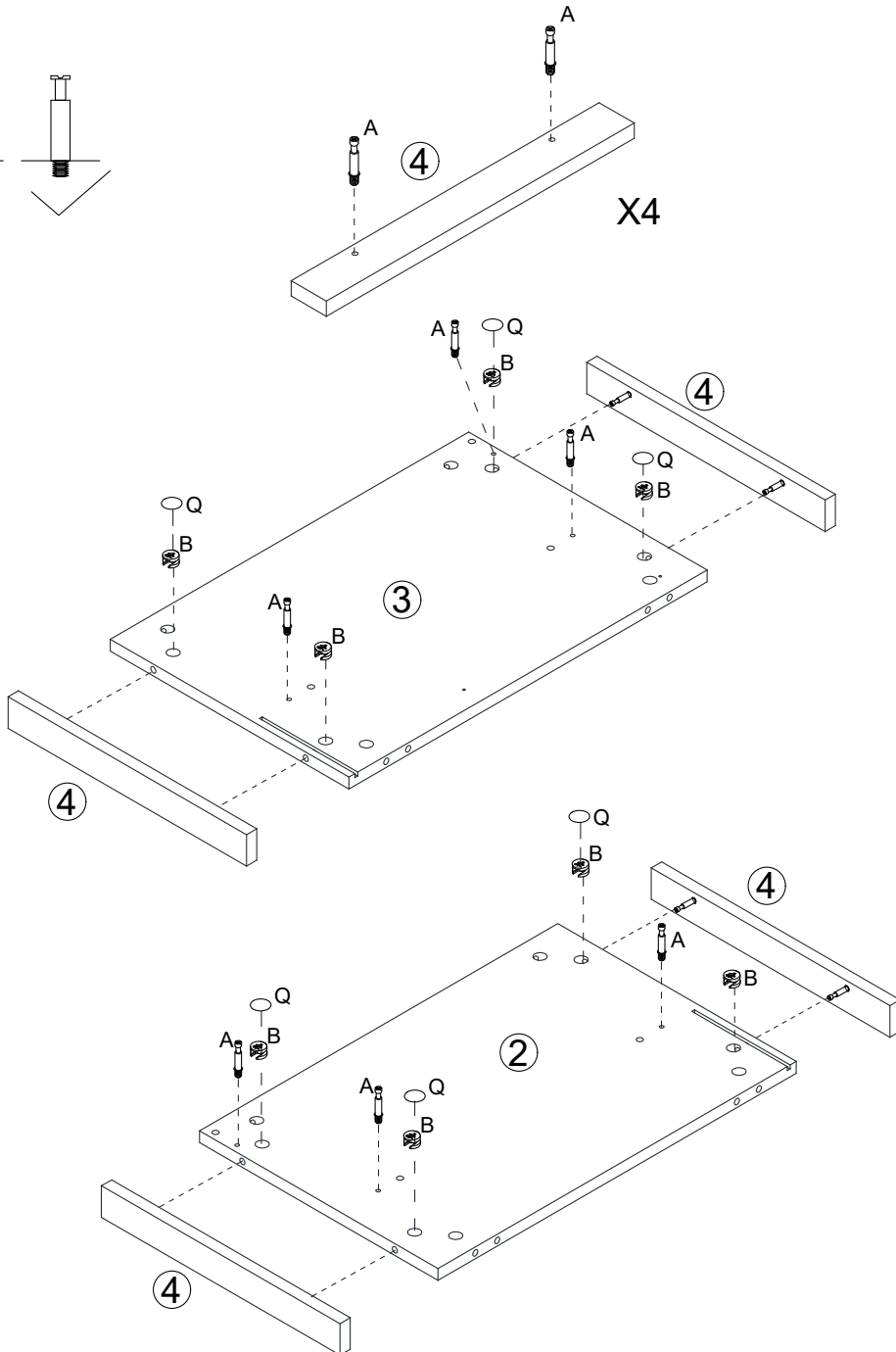
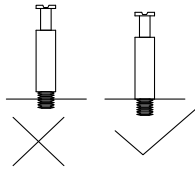
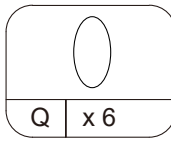
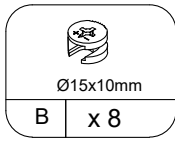
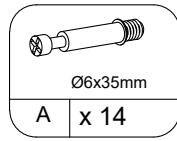
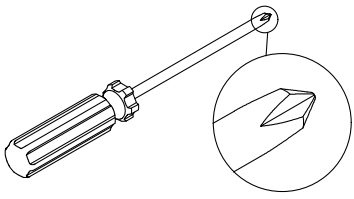
STEP 1



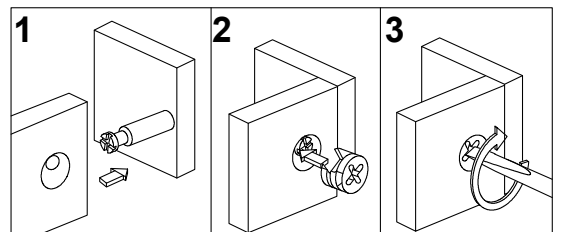
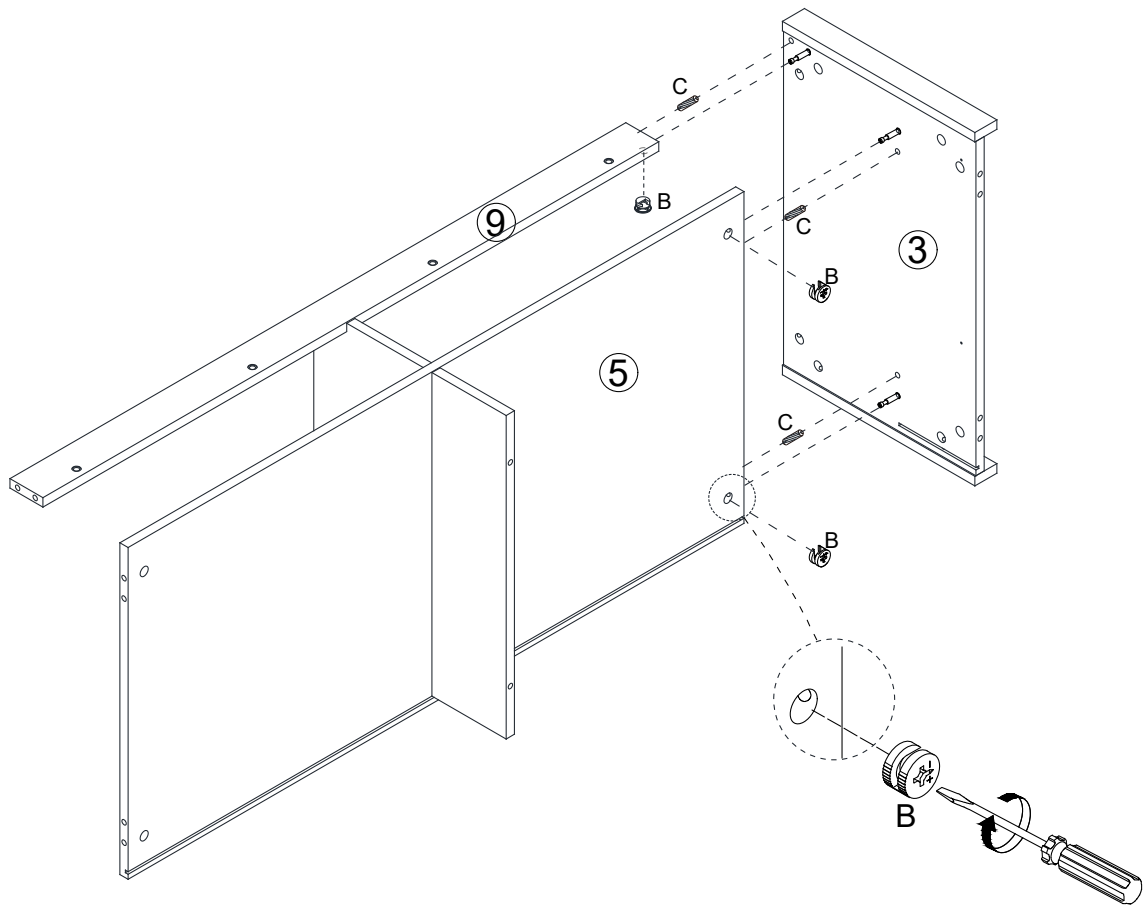
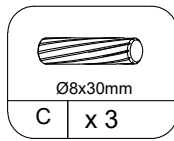
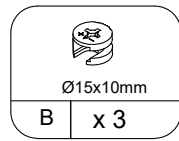
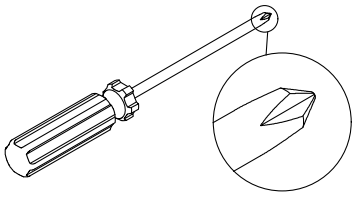
STEP 2



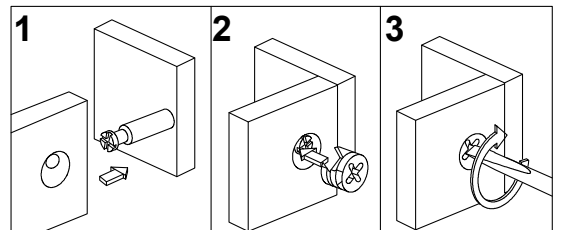
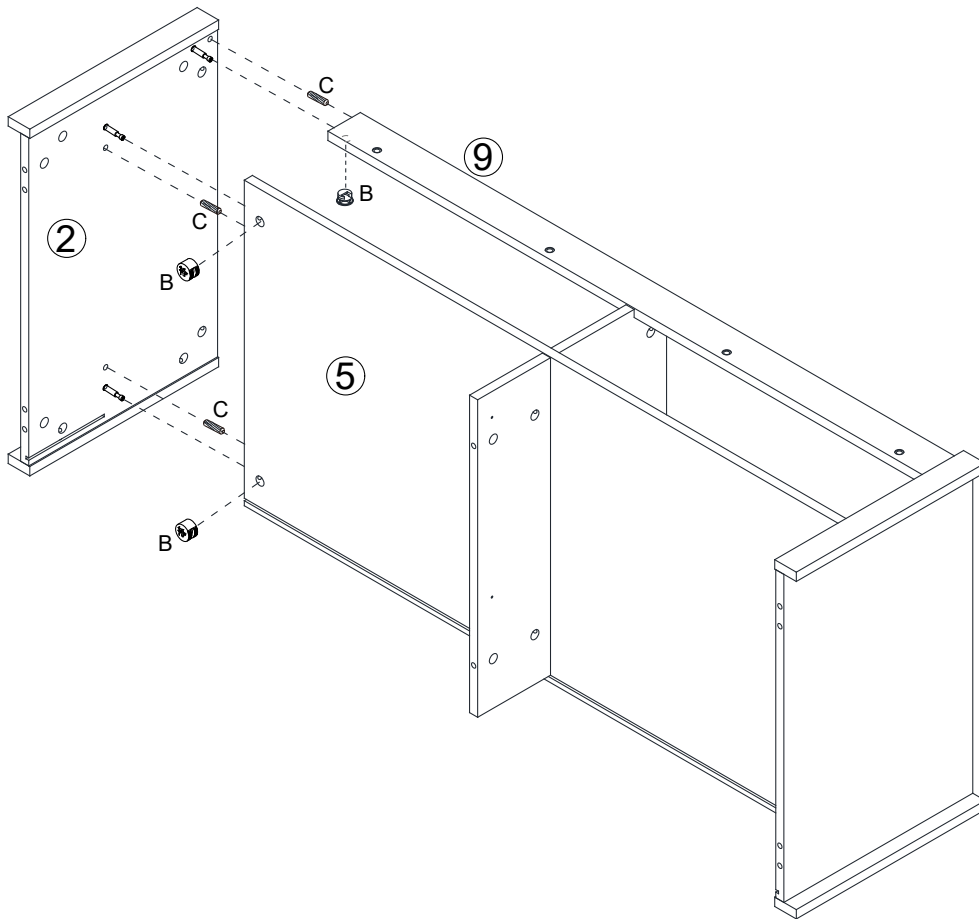
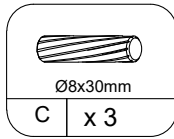
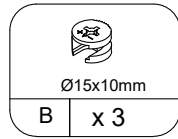
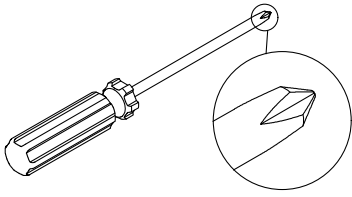
STEP 3



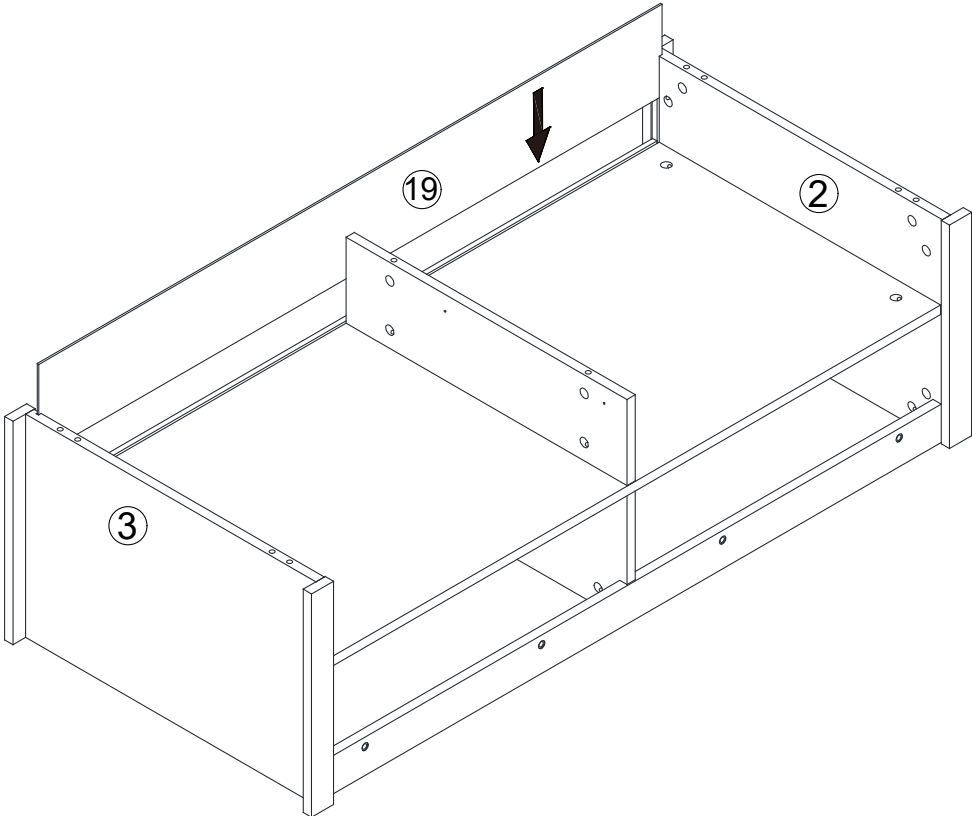
STEP 4



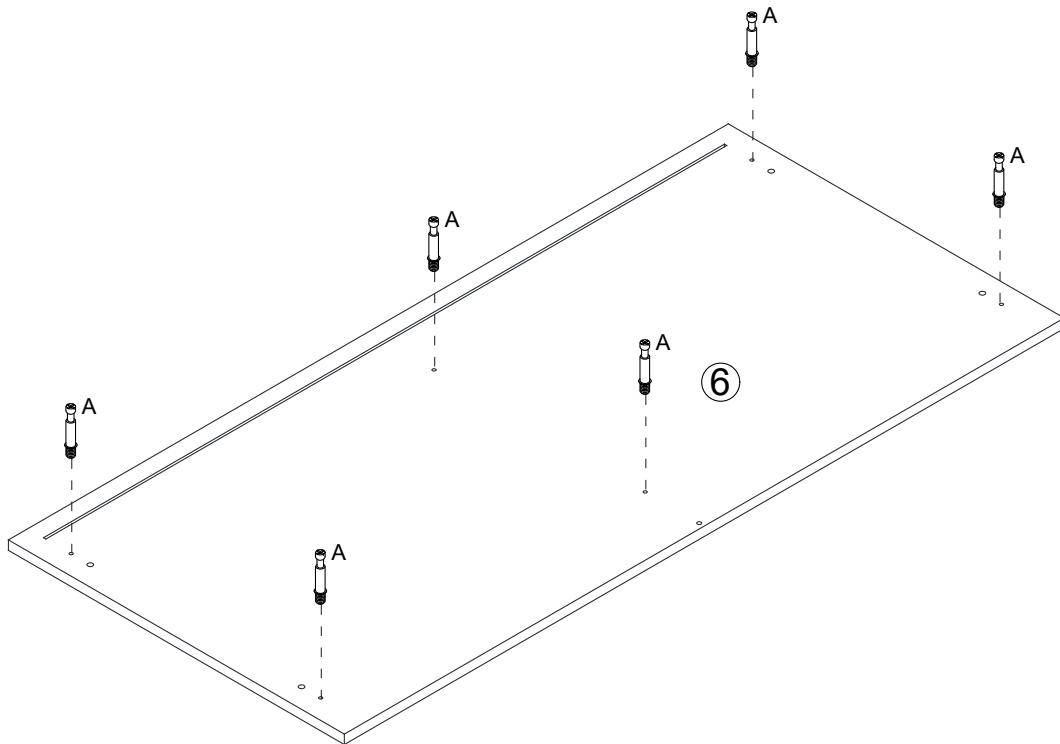
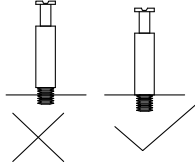
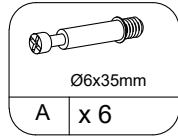
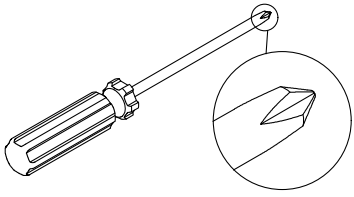
STEP 5



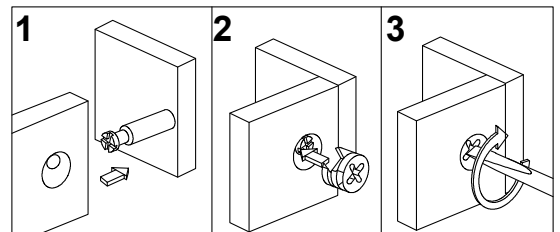
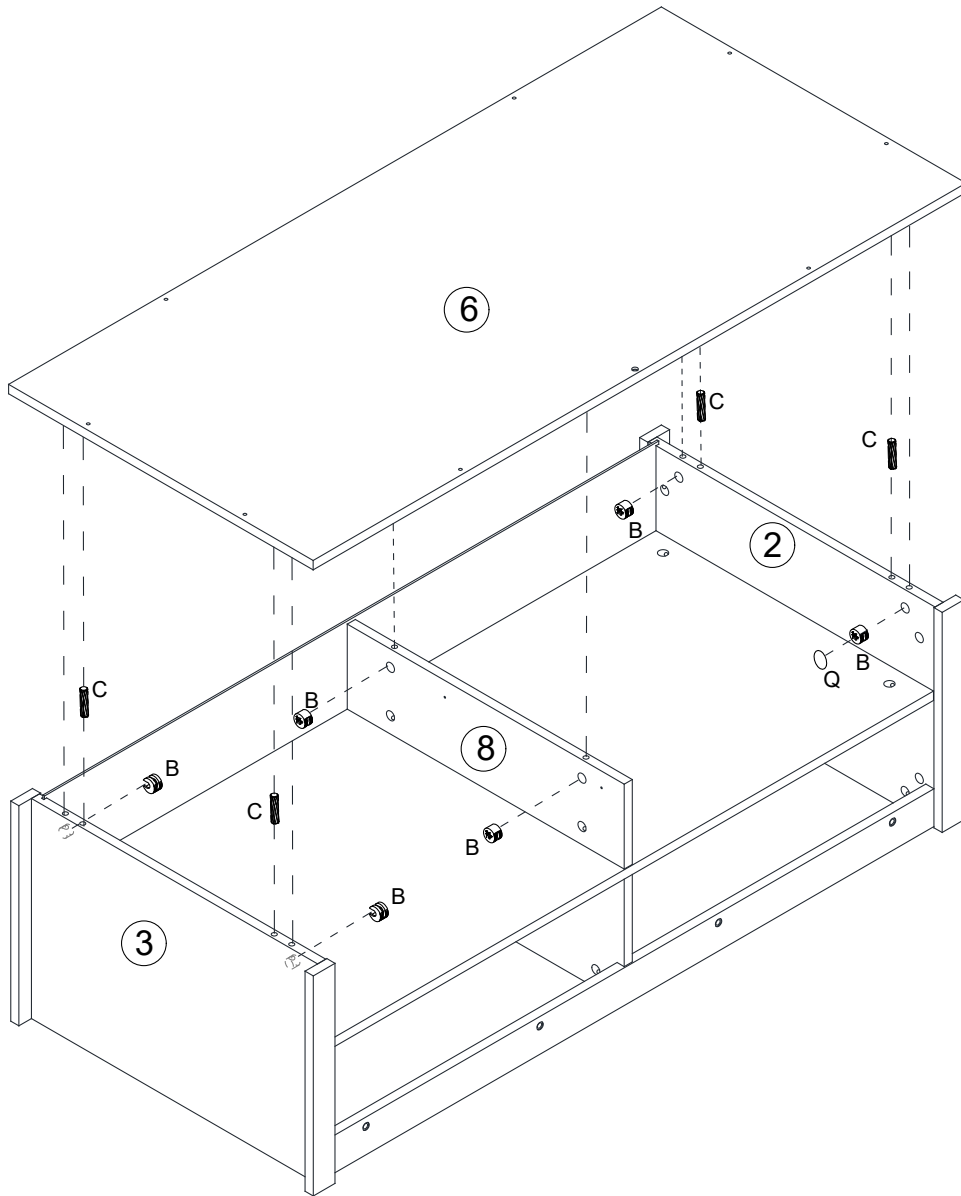
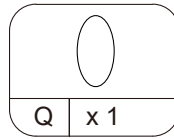
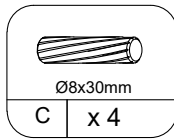
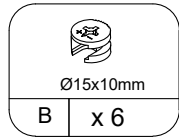
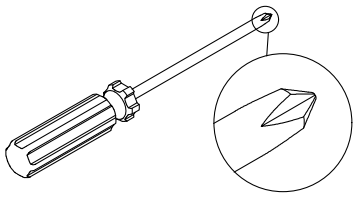
STEP 6



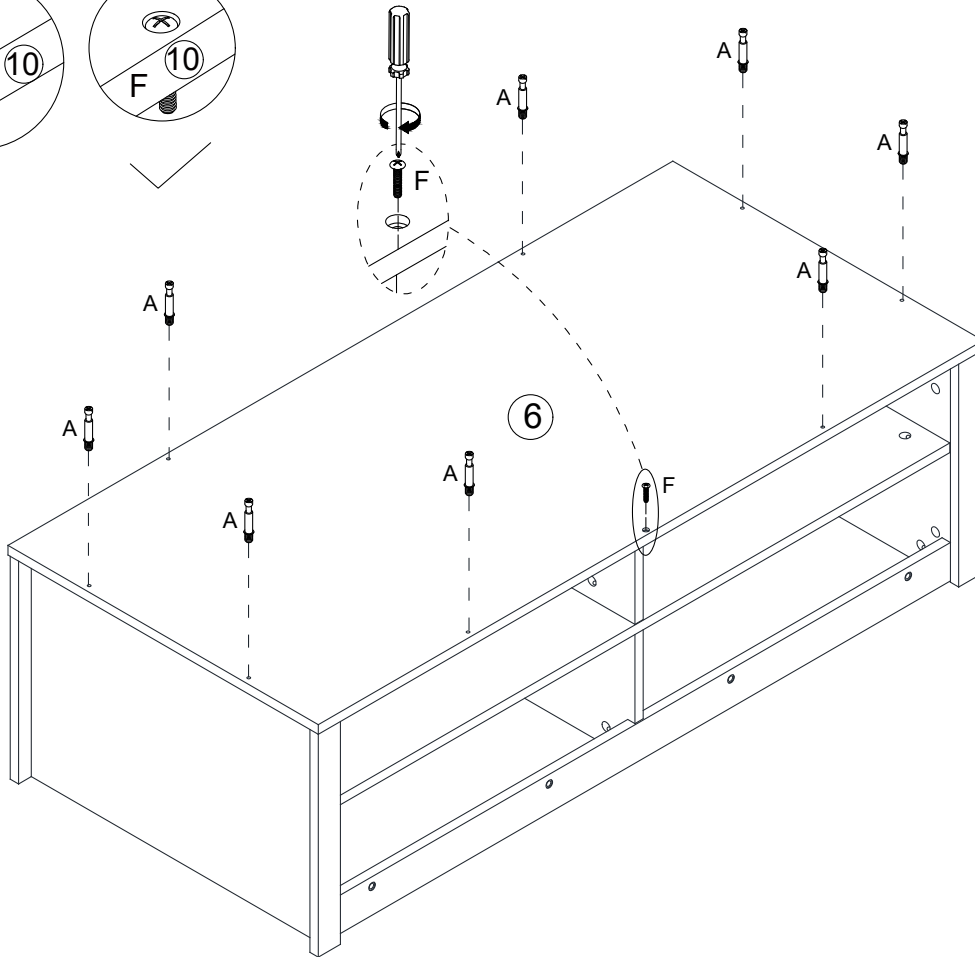
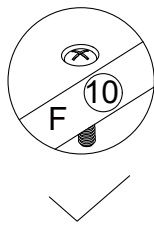
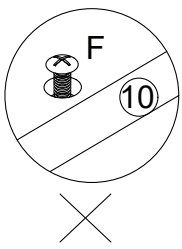
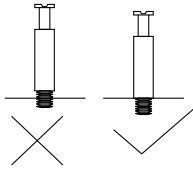
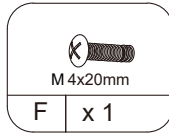
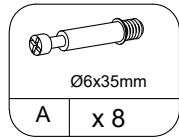
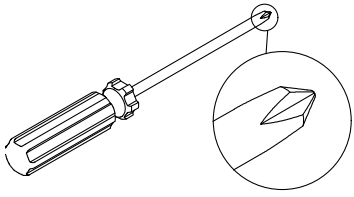
STEP 7



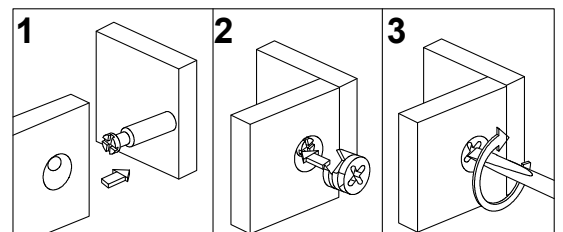
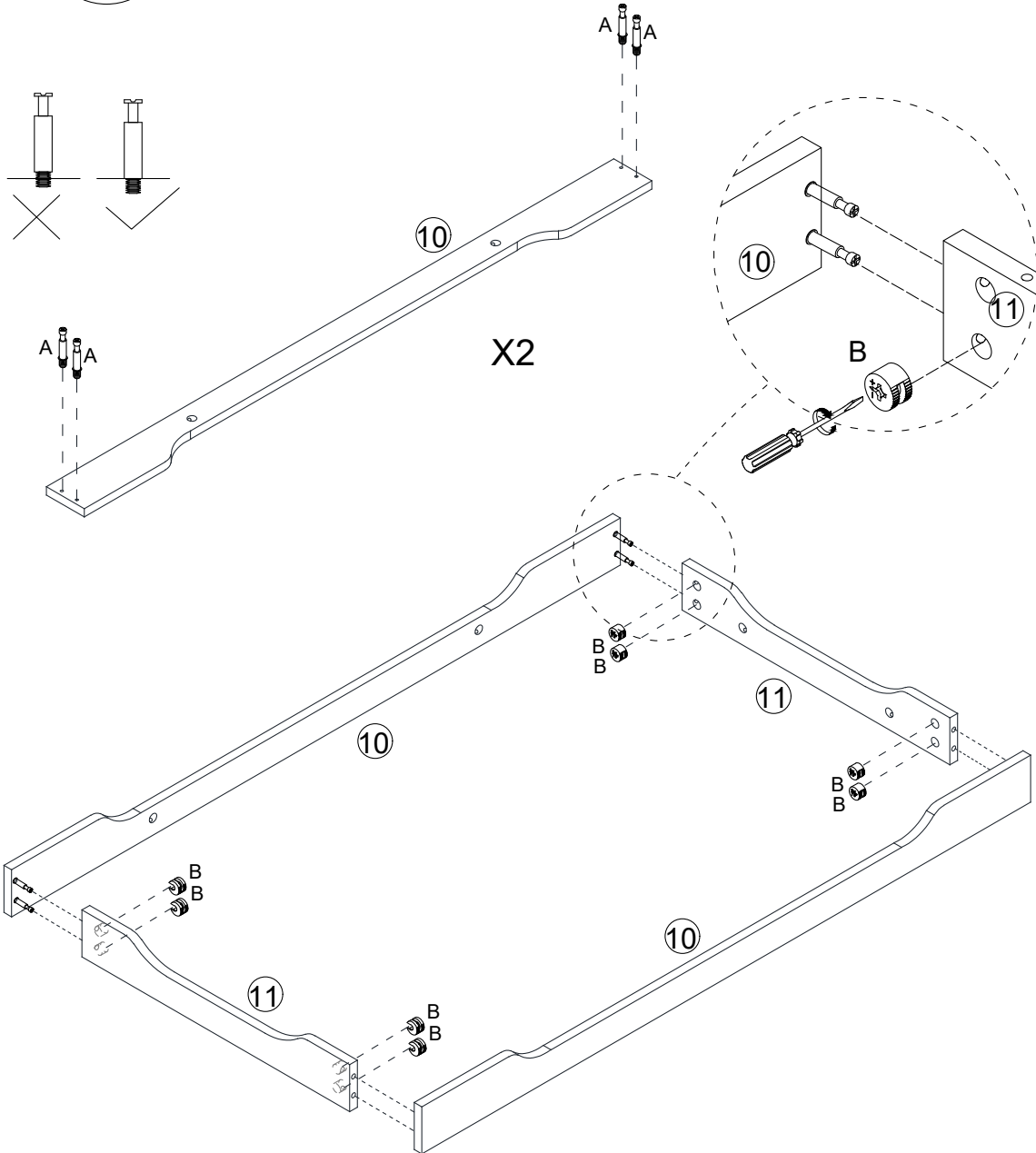
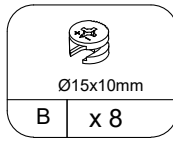
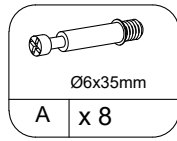
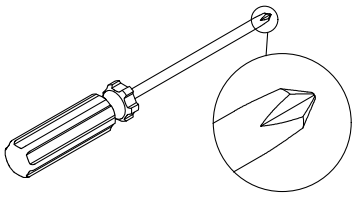
STEP 8



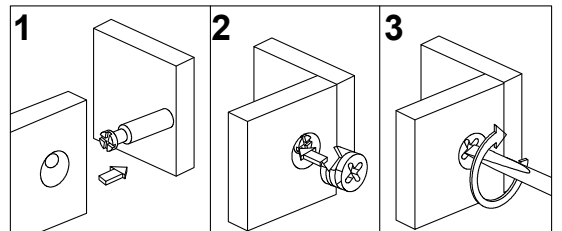
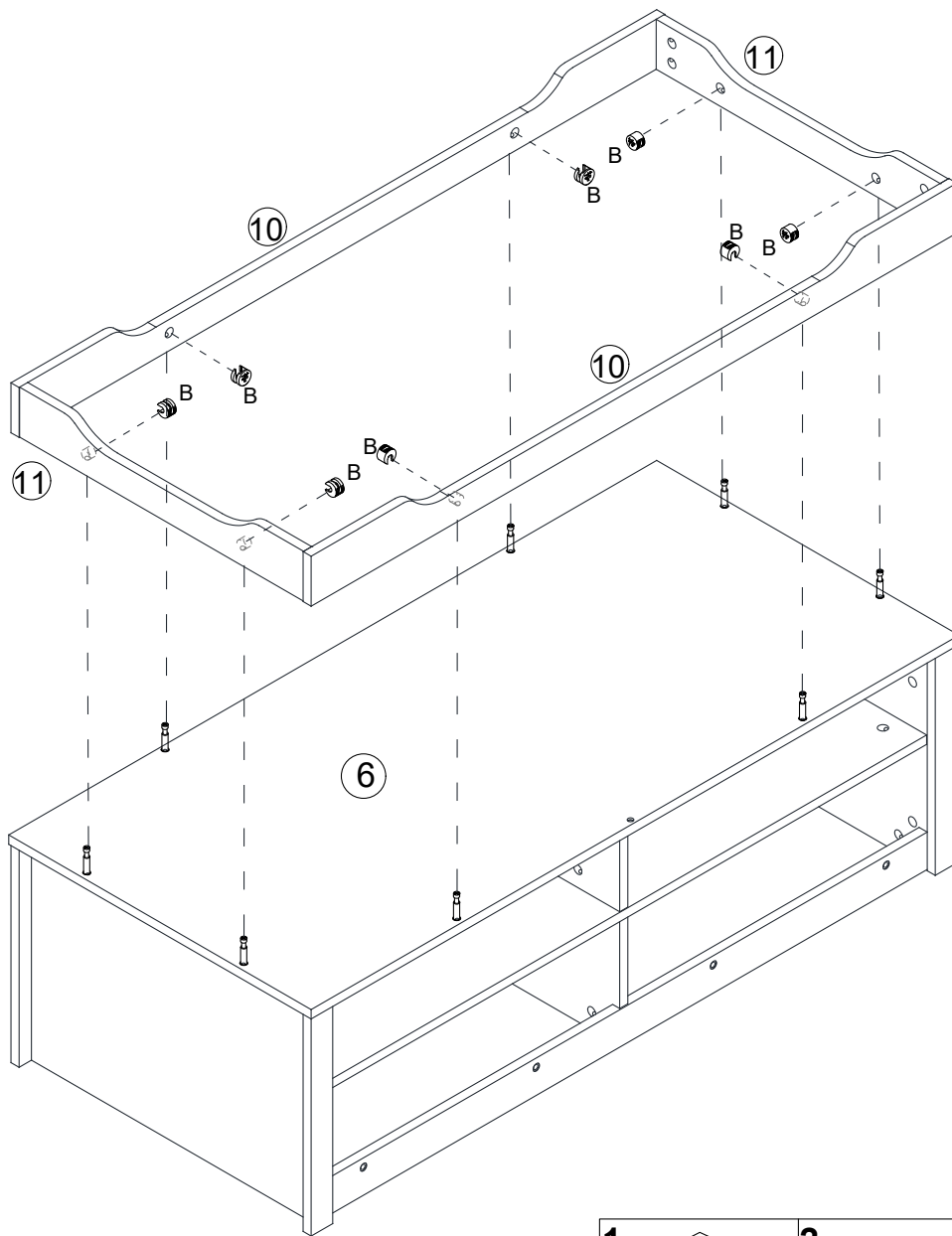
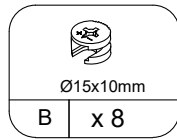
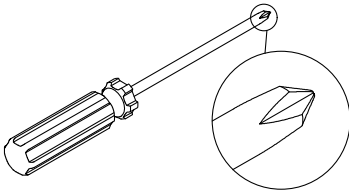
STEP 9



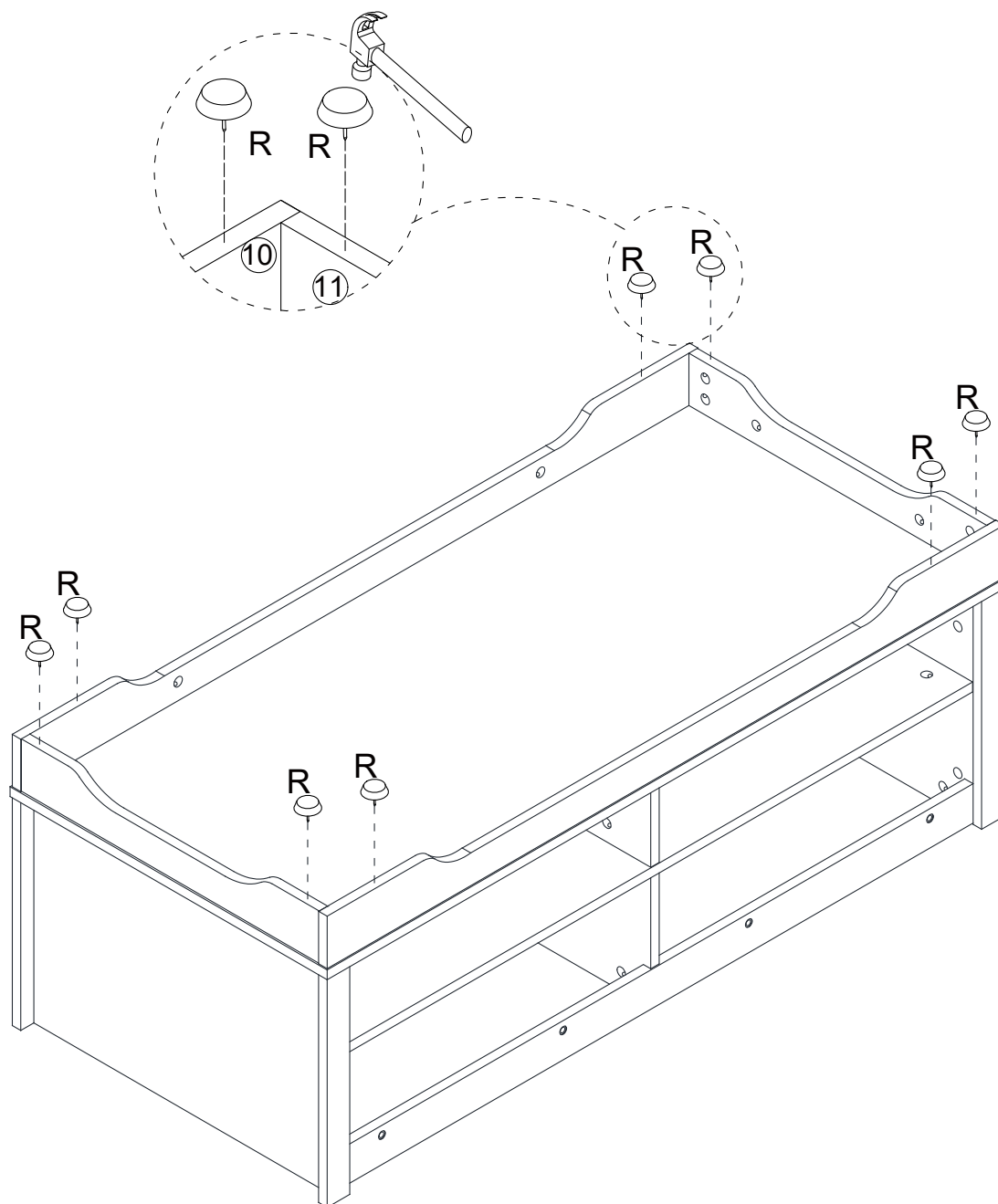
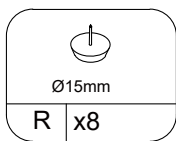
STEP 10



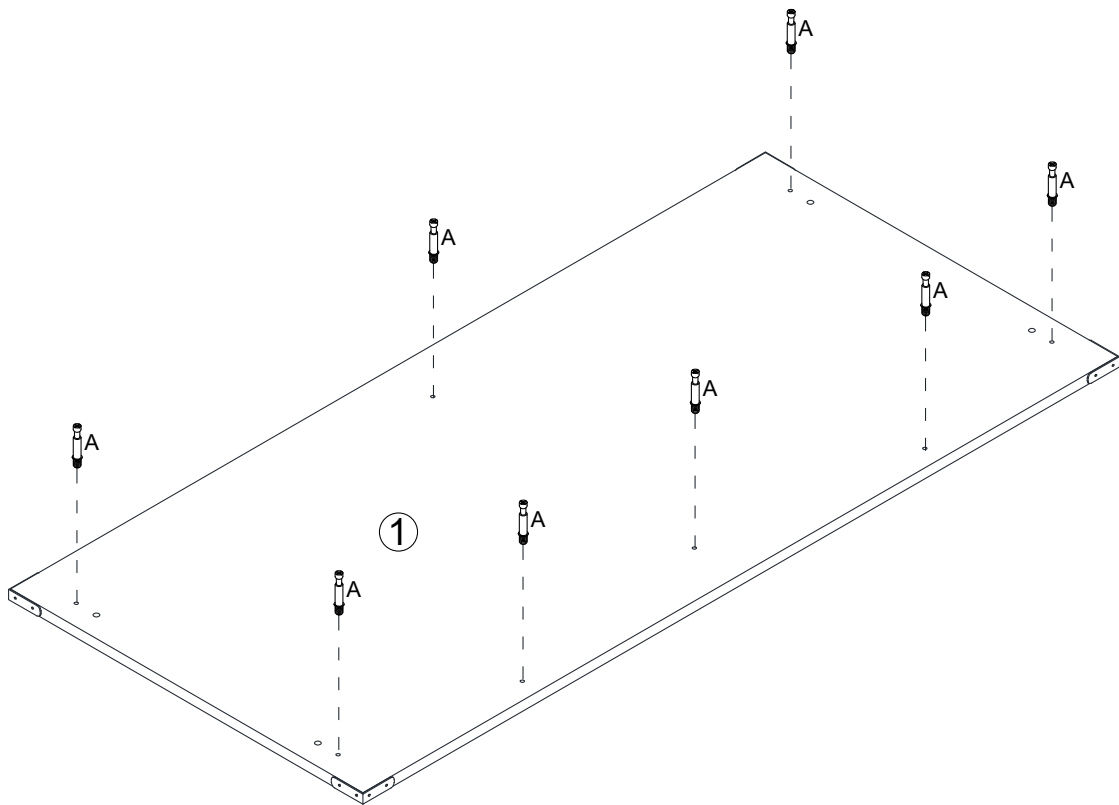
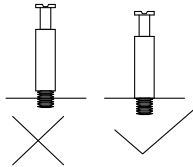
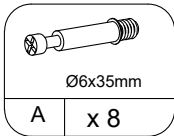
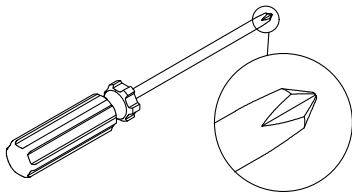
STEP 11



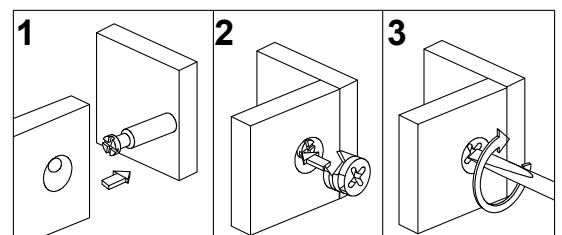
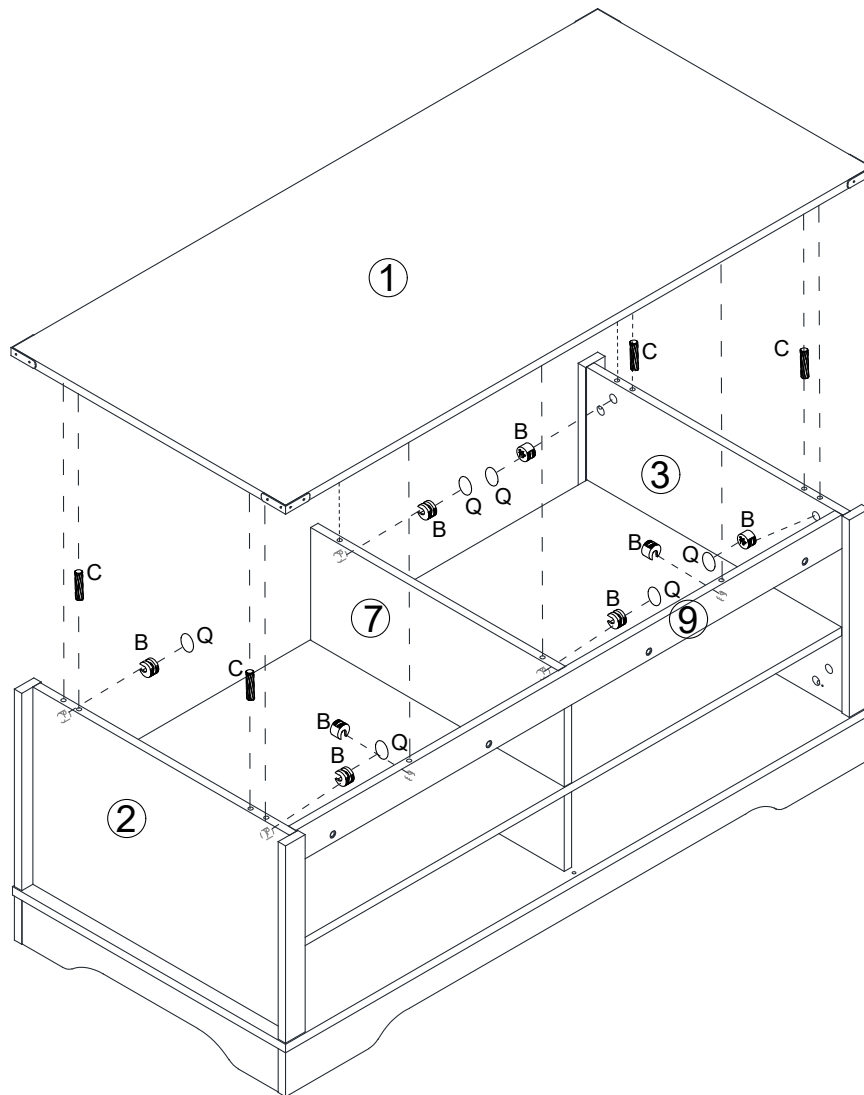
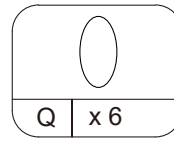
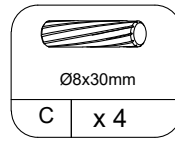
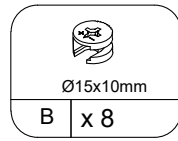
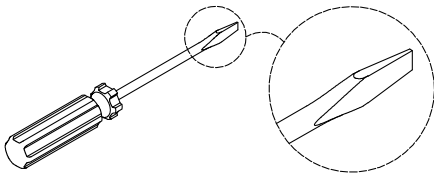
STEP 12



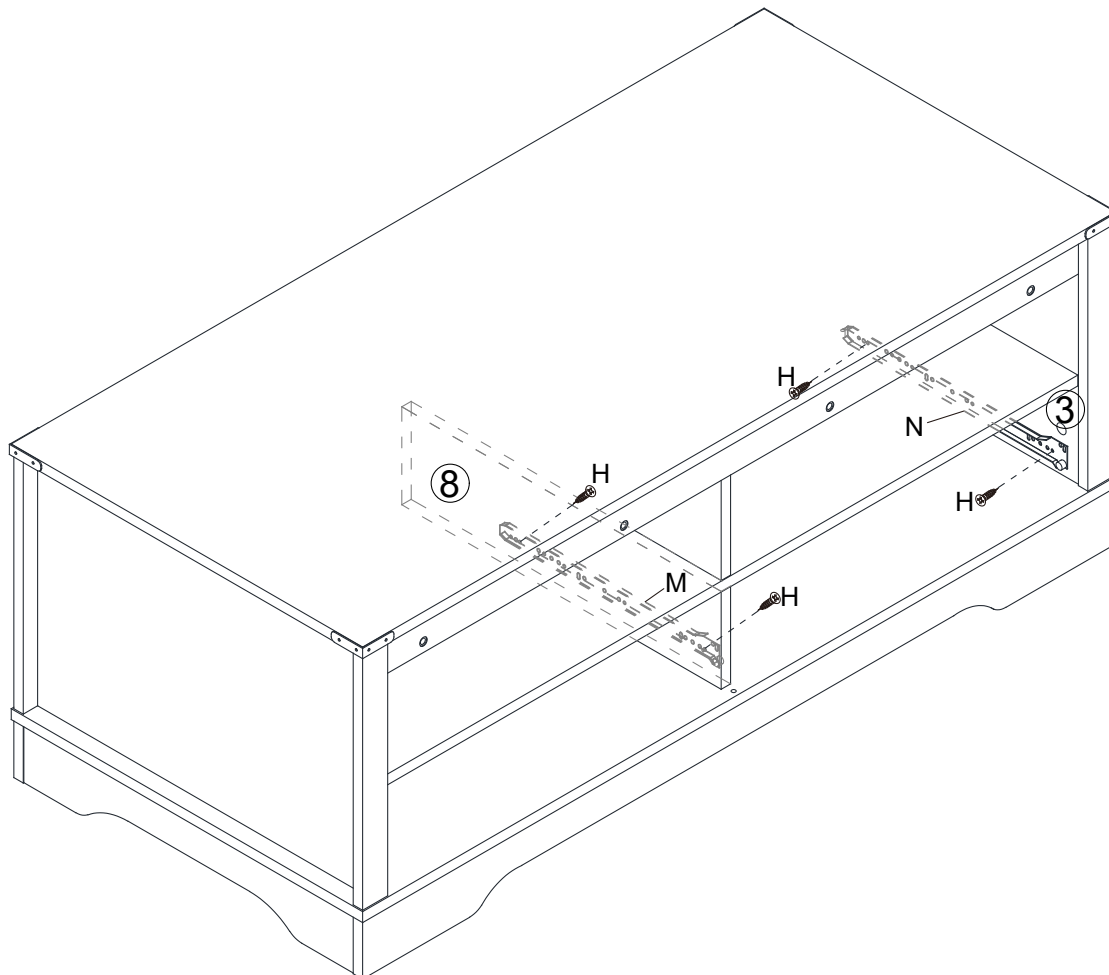
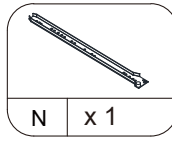
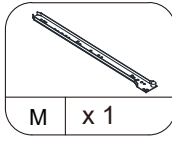
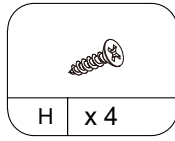
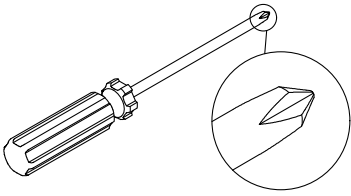
STEP 13



STEP 14

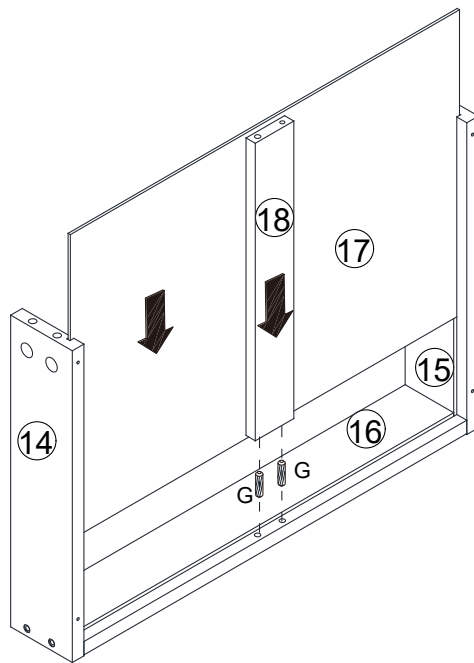
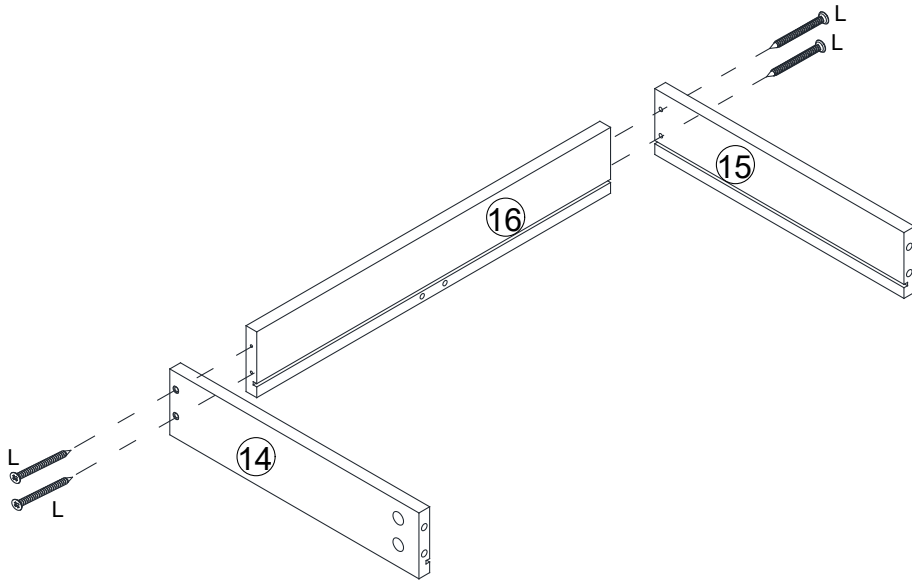
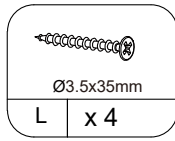
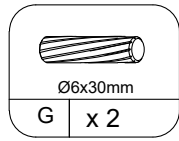
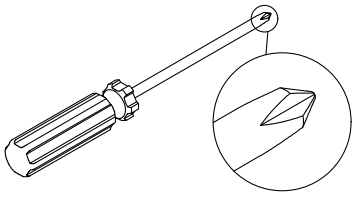


STEP 15

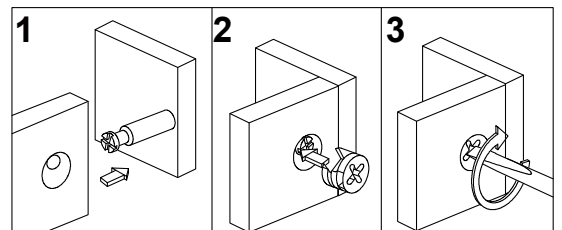
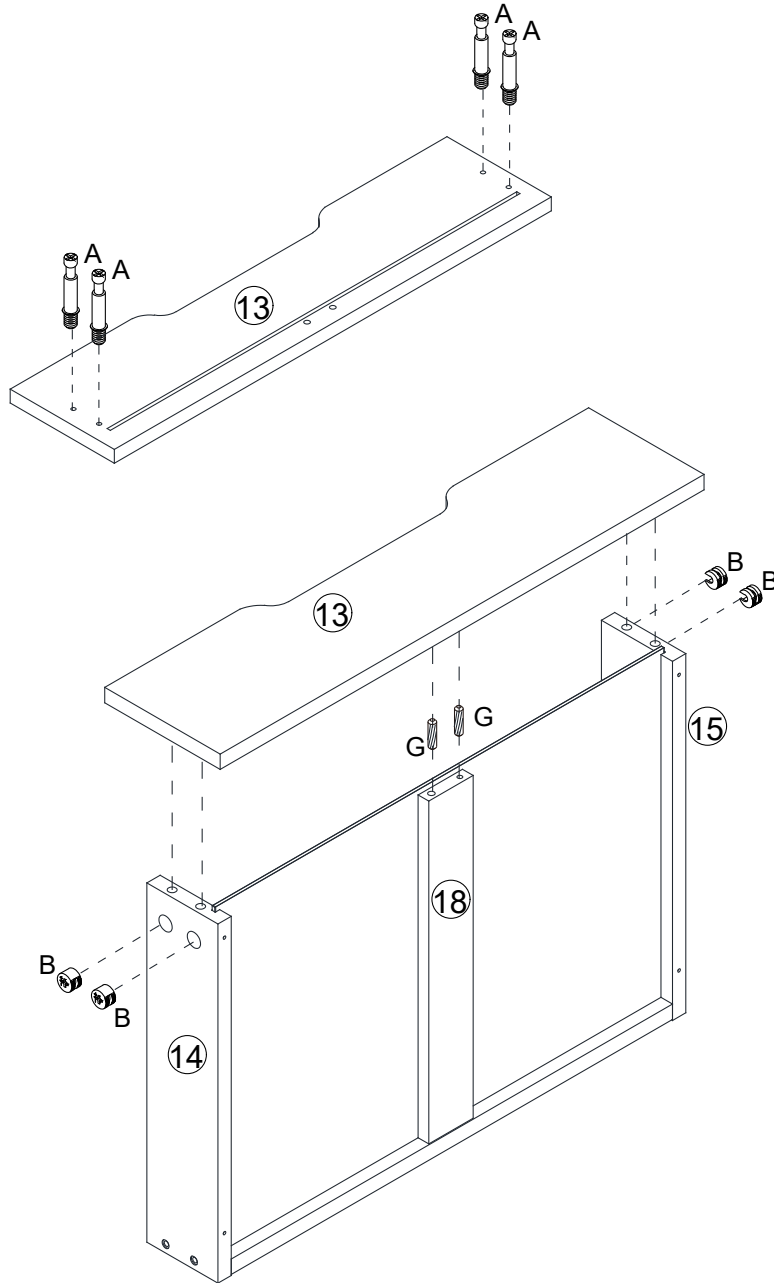
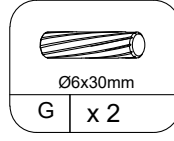
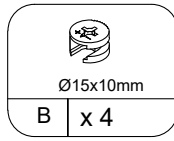
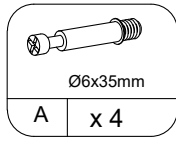
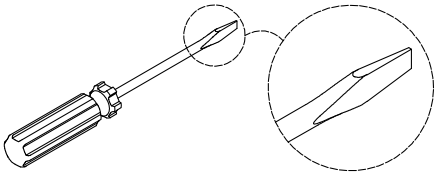


Please install the screws into the two holes

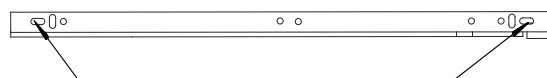
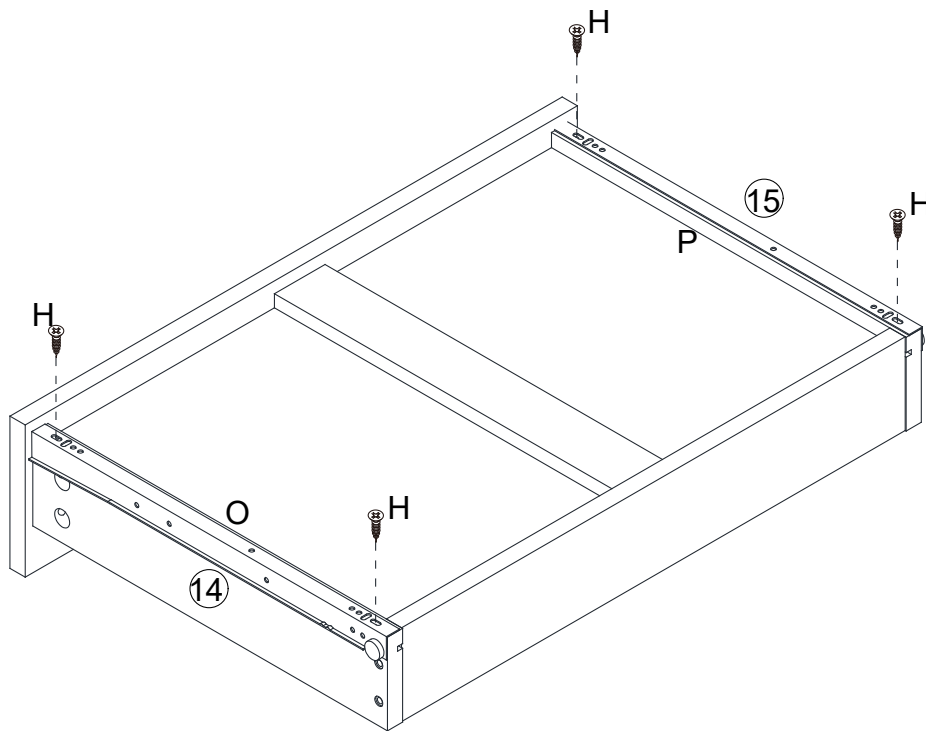
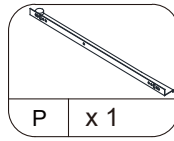
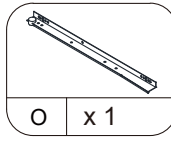
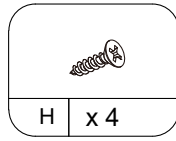
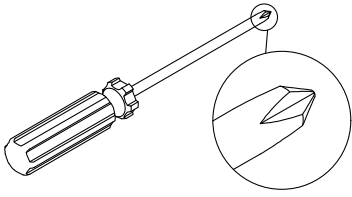
STEP 16



STEP 17

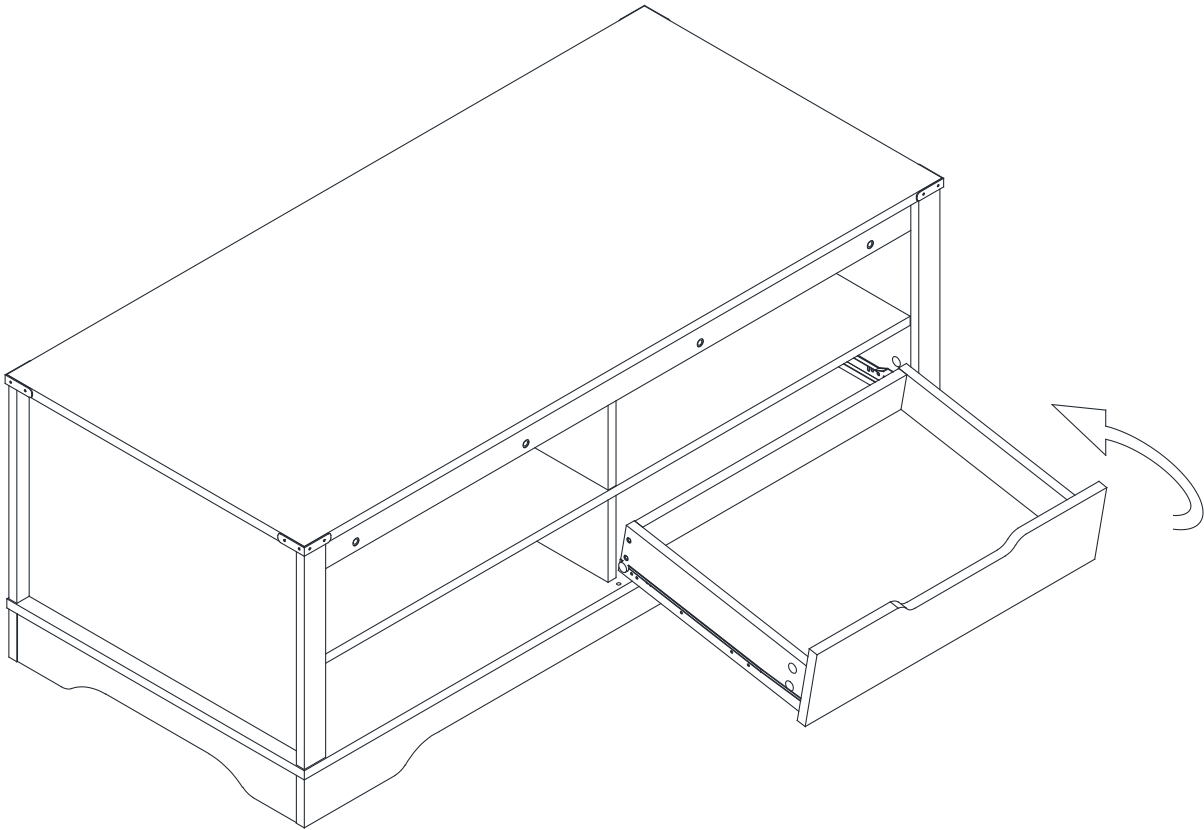


STEP 18

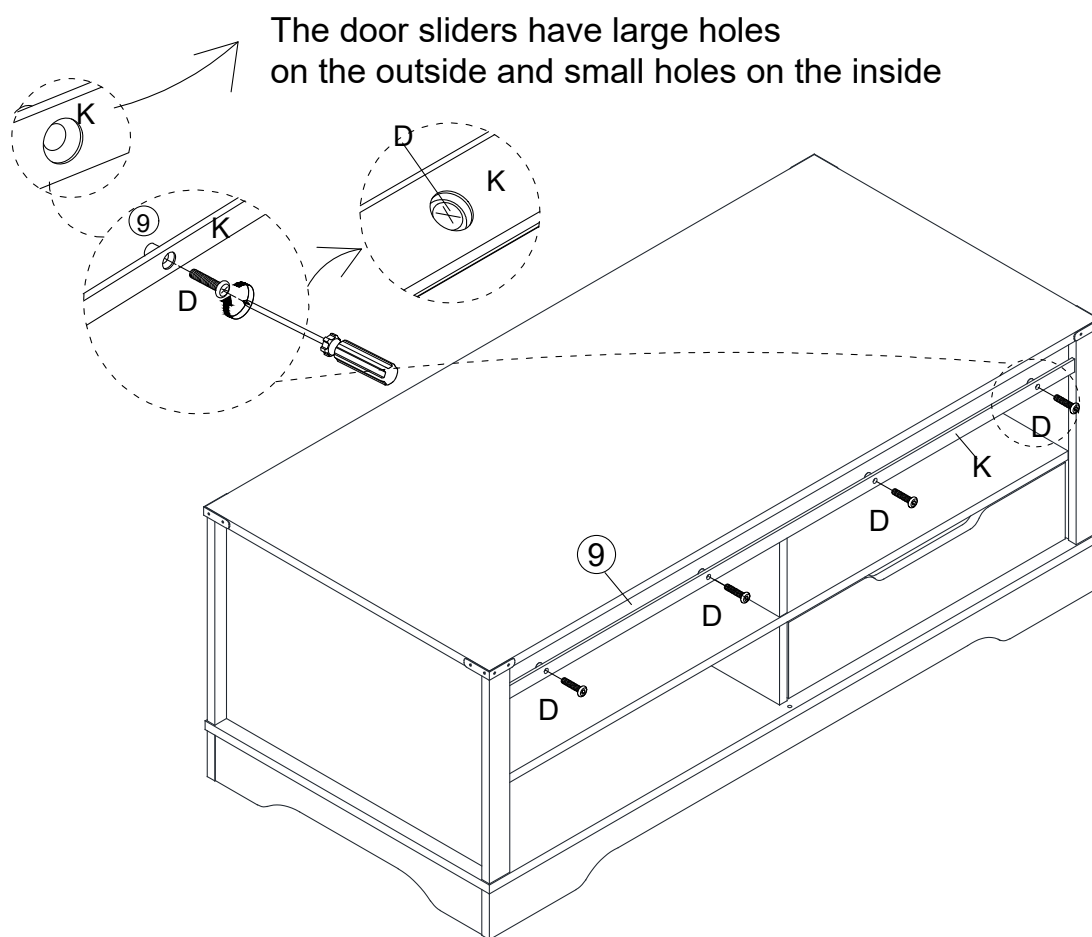
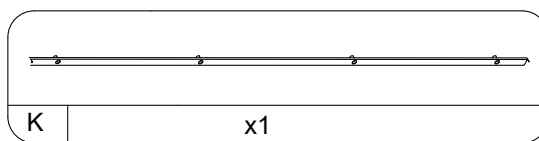
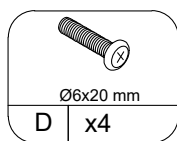
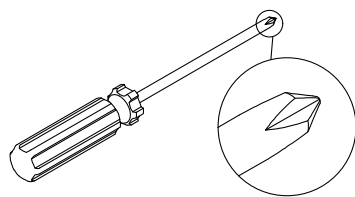


Please install the screws into the two holes

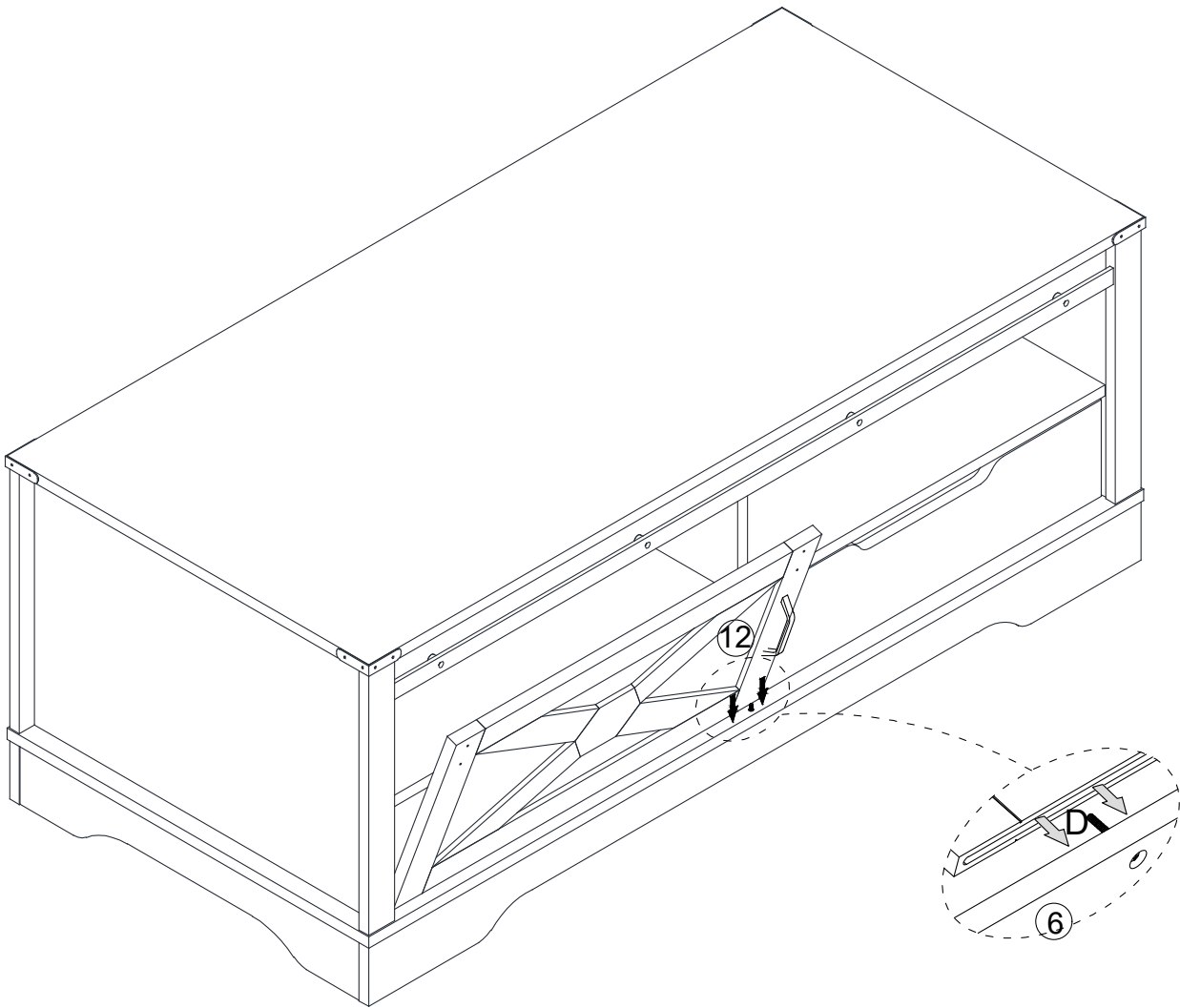
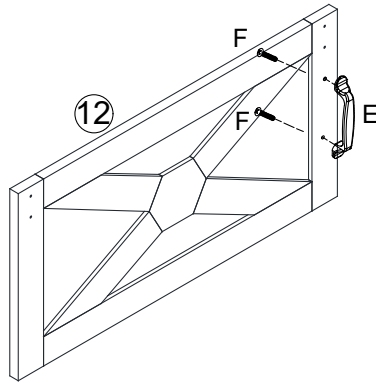
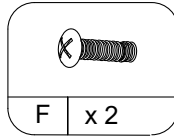
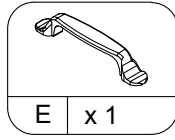
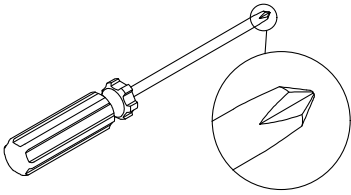
STEP 19



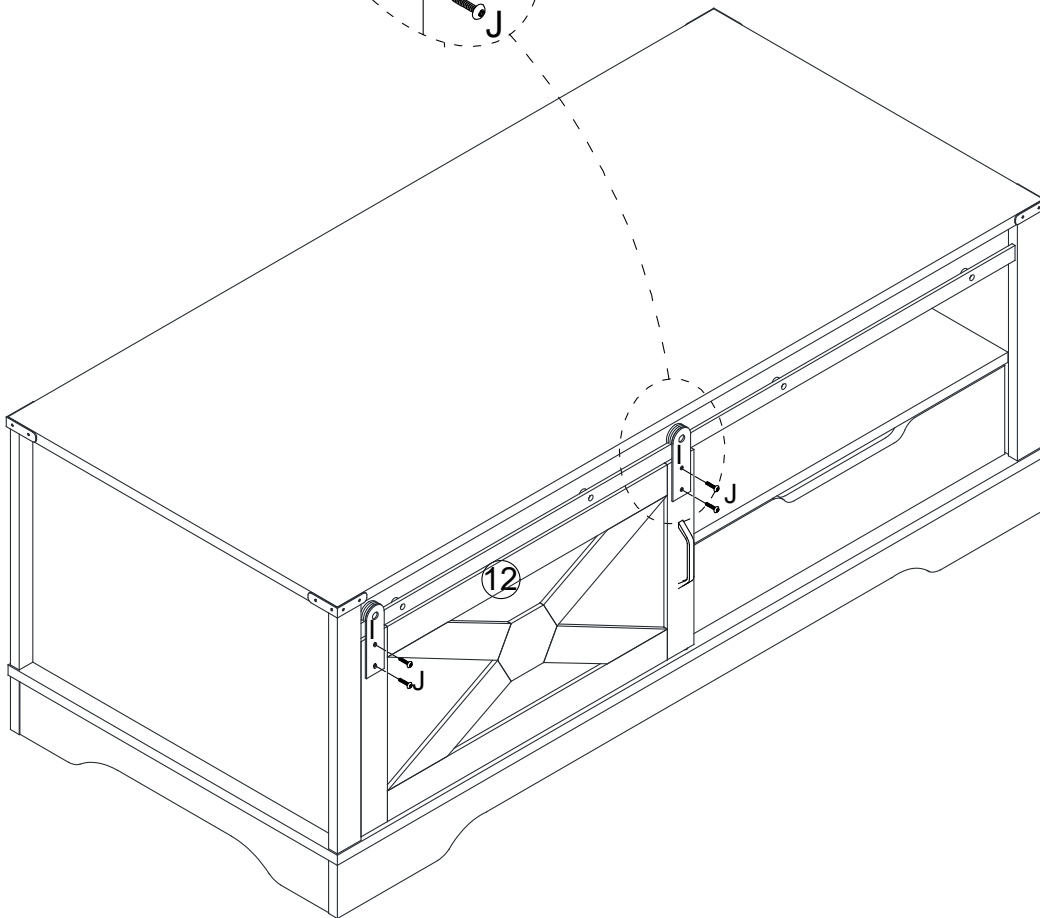
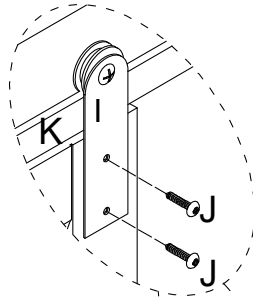
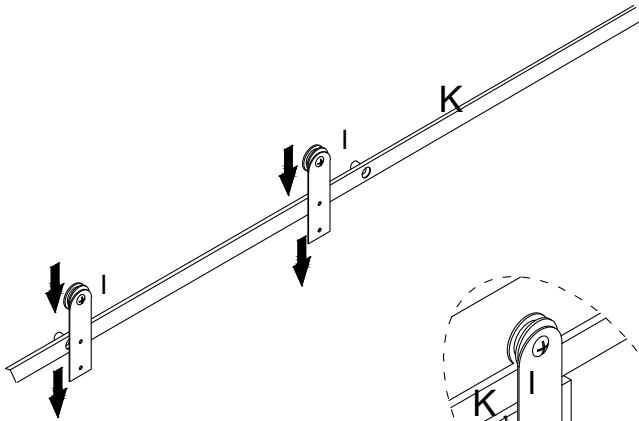
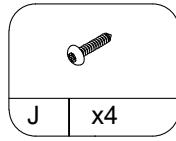
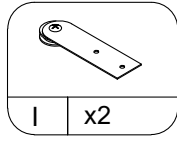
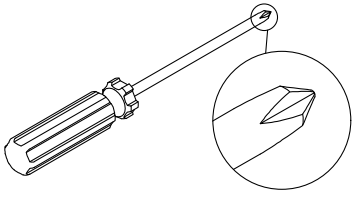
STEP 20



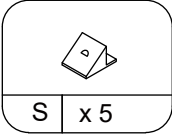
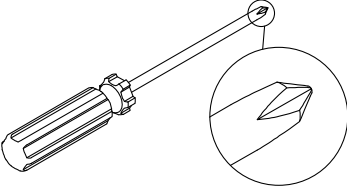
STEP 21



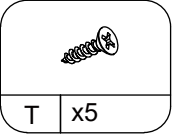
STEP 22



STEP 23



S x5



T x5

