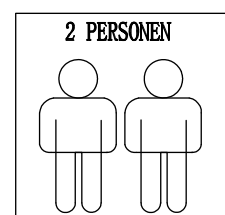


**ITEM NO.**



---

NOTE:

---

This brochure contains IMPORTANT safty info. Please read and keep for future reference.

# MAINTAINANCE

## AND WARNING

- Keep furniture away from heat.
- Do not clean furniture with harsh cleansers or polish. Do not use detergents, Solvents, abrasives, spray packs or leather cleaner. Use non-color mild soap with warm water clean spills(Mix 1:10 soap to water)
- Do not place furniture under direct sunlight, material will possibly fade over time.
- Do not use on site dry Cleaning machine.
- Children should not climb or jump on the furniture.
- Do not write on furniture without a padded barrier to protect the surface.
- Not for commercial use, For residential use only.



Weight Limitation

80LBS

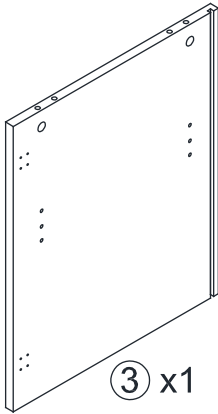
# PARTS LIST



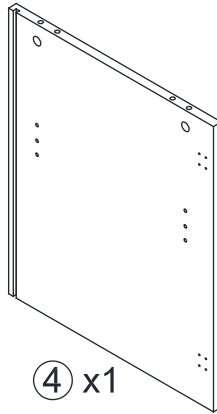
① x1



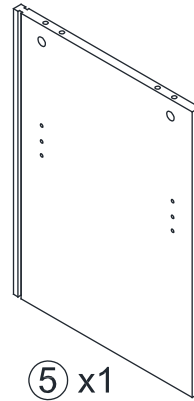
② x1



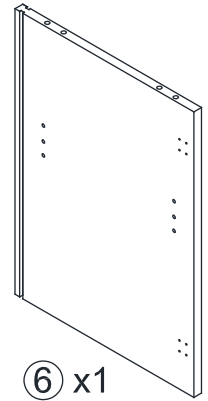
③ x1



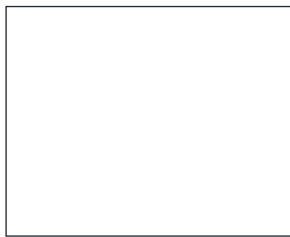
④ x1



⑤ x1



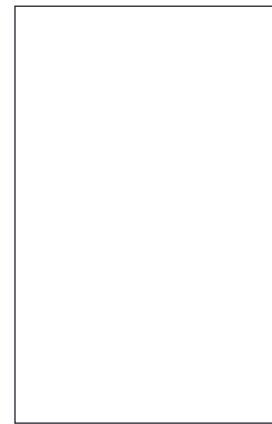
⑥ x1



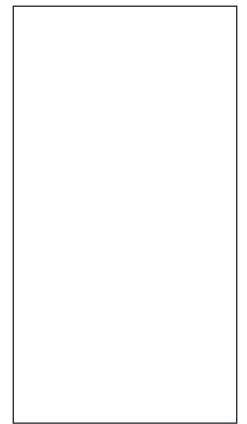
⑦ x2



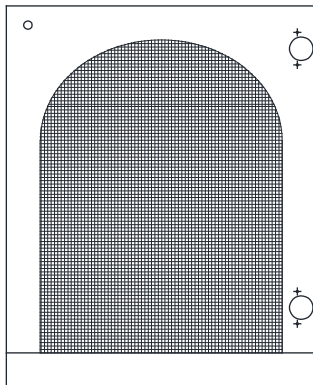
⑧ x1



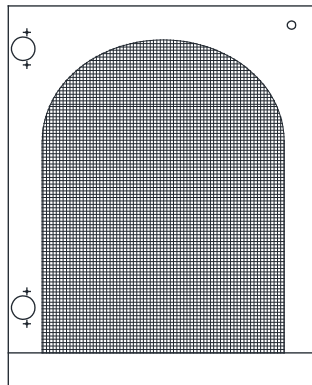
⑨ x2



⑩ x1



⑪ x1



⑫ x2



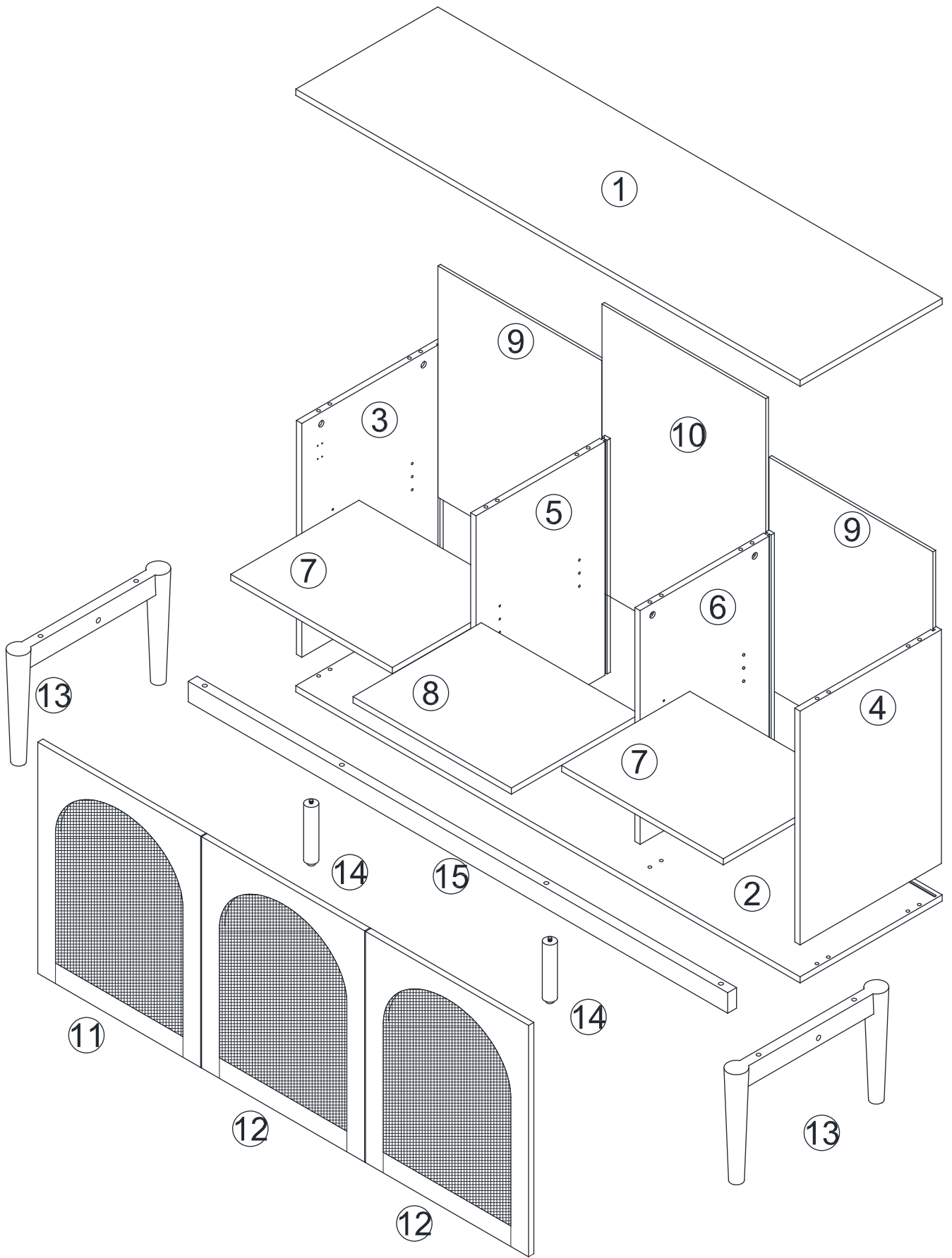
⑬ x2



⑭ x2








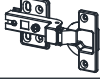
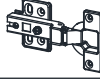












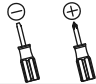

⑮ x1










Explosive View

# HARDWARE

## LIST

A	x8	B	x8	C	x8	D	x16	E	x67	F	x4	G	x2	H	x18
															
M6*35mm		Ø15mm		M7*50mm		Ø8*30mm		Ø3.5*14mm							
I	x12	J	x3	K	x3	L	x8	M	x1	N	x4	O	x4	P	x2
															
								M4		Ø4*35mm					
Q	x4	R	x2	S	x8	T	x1	U	x2						
															
		M6*40mm		M6*50mm				M6*30mm							

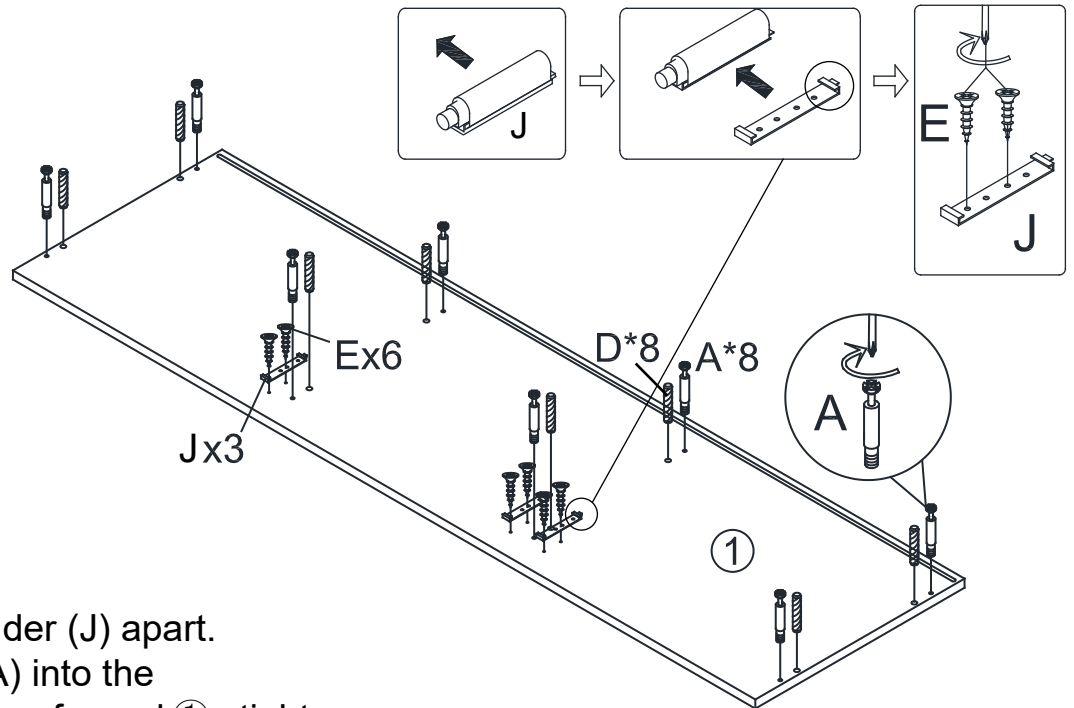
## SPARE

A	x1	C	x1	E	x6	N	x1	R	x1	S	x1	U	x1
													
M6*35mm		M7*50mm		Ø3.5*14mm		Ø4*35mm		M6*40mm		M6*50mm		M6*30mm	

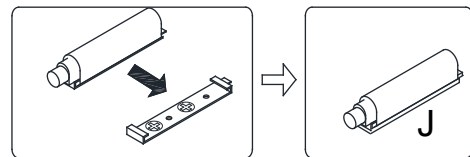
Be sure to check all packing material carefully for small parts, which may have come loose inside the carton during shipment.

# ASSEMBLY INSTRUCTIONS

## STEP 1

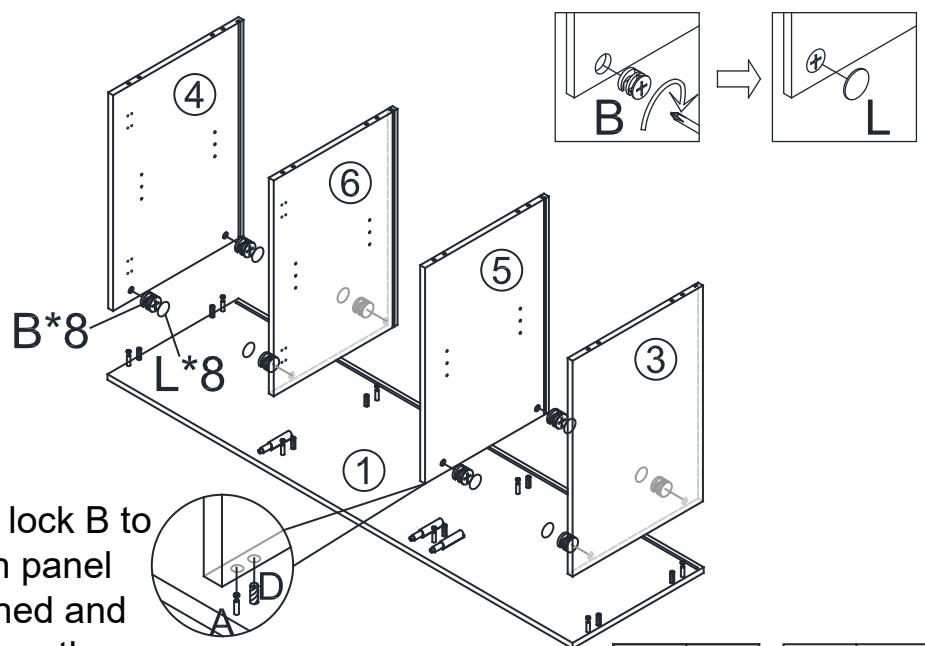


1. Take the rebounder (J) apart.
2. Screw the bolt(A) into the corresponding hole of panel ①, tighten bolt(A) with screwdriver(T).
3. Use screw(E) to attach the rebounder base(J) to panel ①, tighten screw(E) with screwdriver(T).
4. Insert wooden dowel (D) into the corresponding hole of panel ①, finally slide the rebounder(J) into the rebounder base(J).



J	x3	A	x8	D	x8	E	x6
		M6*35mm		Ø8*30mm		Ø3.5*14mm	

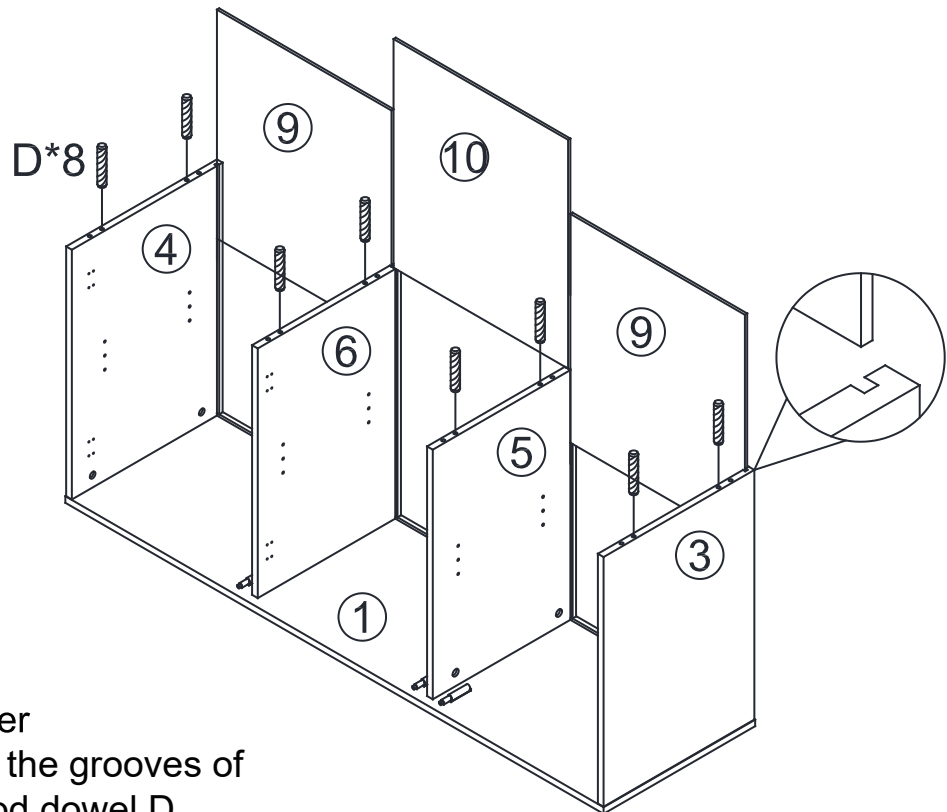
## STEP 2




Use screwdriver and cam lock B to connect panel 3,5,6,4 with panel 1, make sure all parts aligned and fasten all cam lock to secure, then cover the cam lock B with sticker L.

L	x8	B	x8
		Ø15mm	

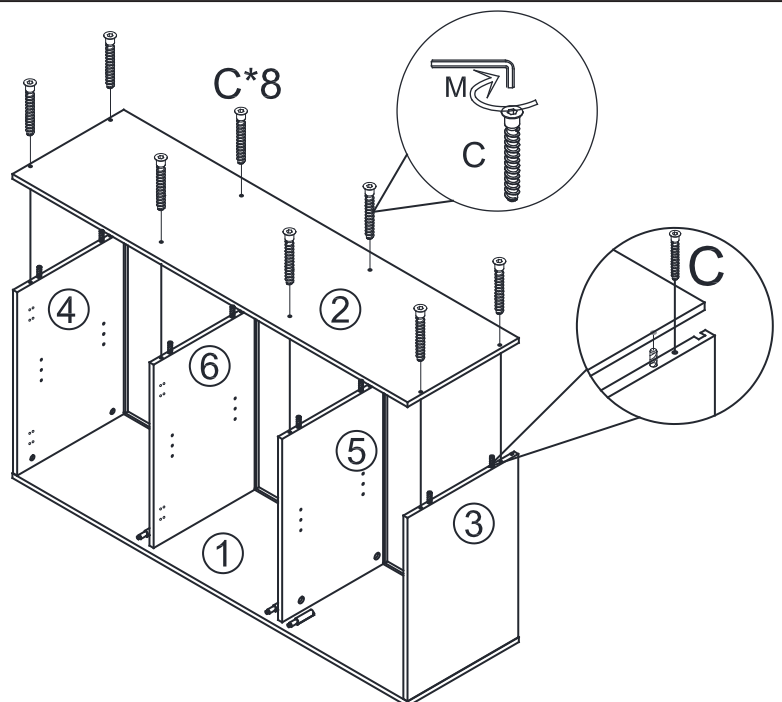
## STEP 3




With help of adult partner  
 Insert panel 9 & 10 into the grooves of  
 panel 4,6,5,3,insert wood dowel D  
 into panel 3,5,6,4,make sure panel  
 9&10 properly set into grooves on  
 panel 4,6,5,3,1.


D	x8
	
Ø8*30mm	

## STEP 4

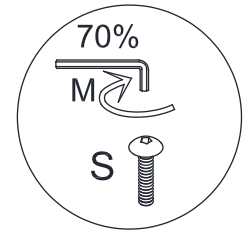
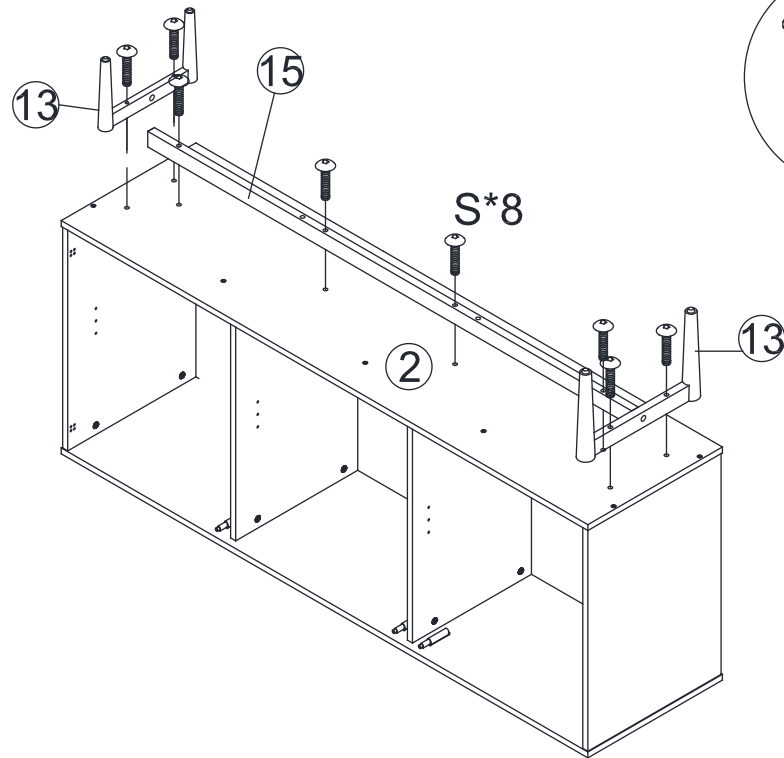


Use allen key M and bolt C to  
 connect panel 2 with assembled  
 unit 1,3,5,6,4,make sure all parts  
 properly aligned and fasten all bolts  
 to secure.

M	x1
	
M4	

C	x8
	
M7*50mm	

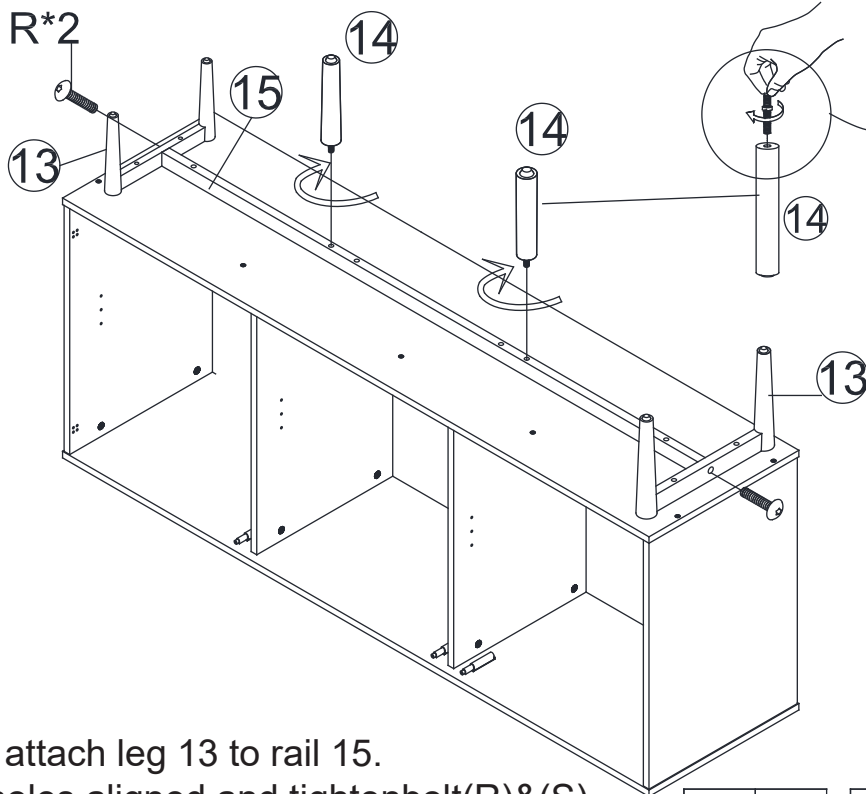
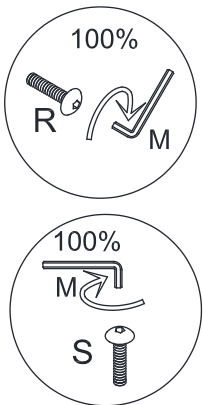
# STEP 5



Use bolt(S) to attach leg 13 & rail 15 to the preassemble unit at step 4, make sure all holes aligned and lock bolt(S) to 70% with allen key(M).

M	x1	S	x8
M4		M6*50mm	

# STEP 6

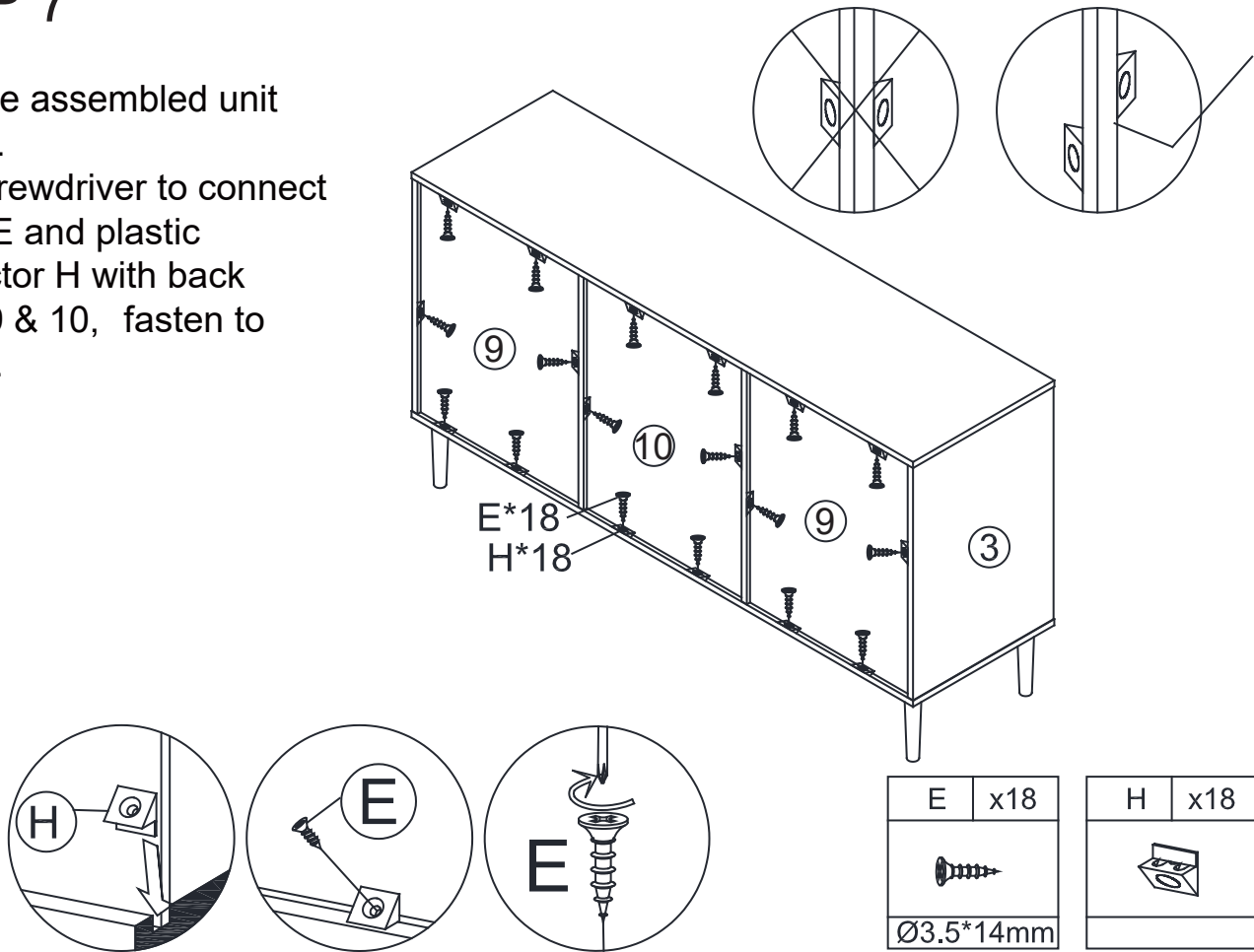


Use bolt (R) to attach leg 13 to rail 15. make sure all holes aligned and tighten bolt(R)&(S) with allen key(M). Screw one end of bolt U into foot 14, then screw foot 14 into metal rod 15 with hand

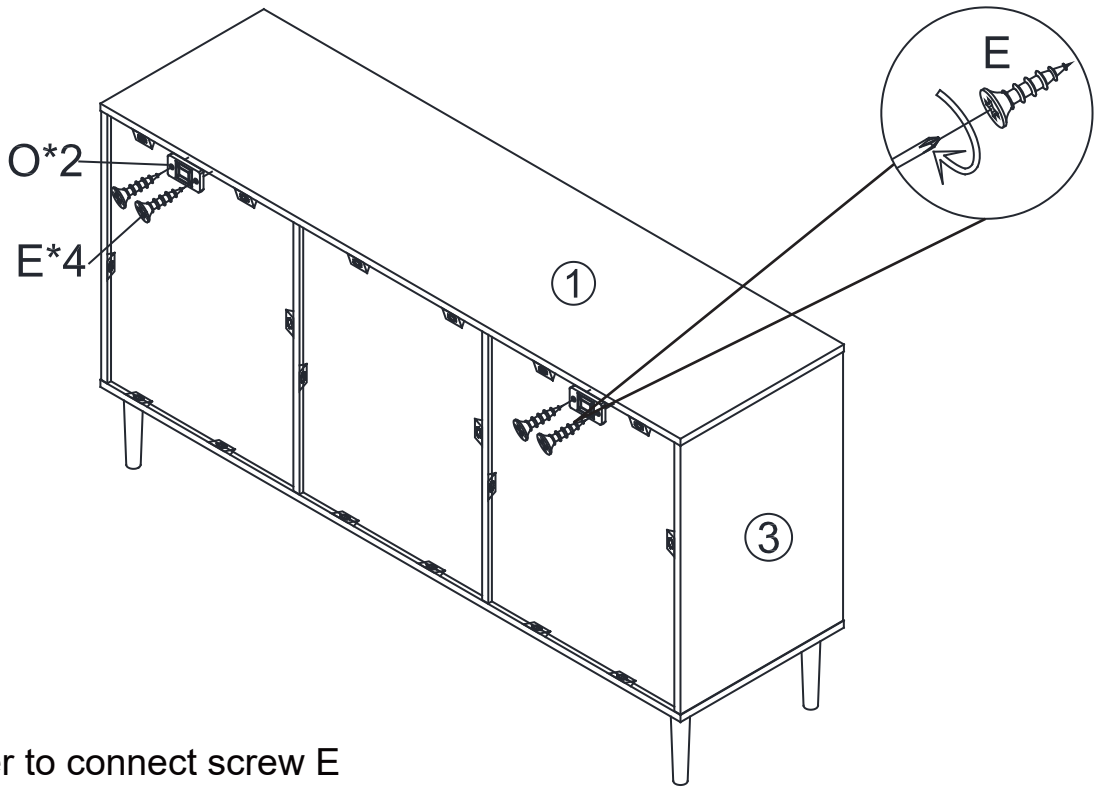
U	x2	M	x1	R	x2
M6*30mm		M4		M6*40mm	

# STEP 7

Turn the assembled unit upright.  
Use screwdriver to connect screw E and plastic connector H with back panel 9 & 10, fasten to secure.

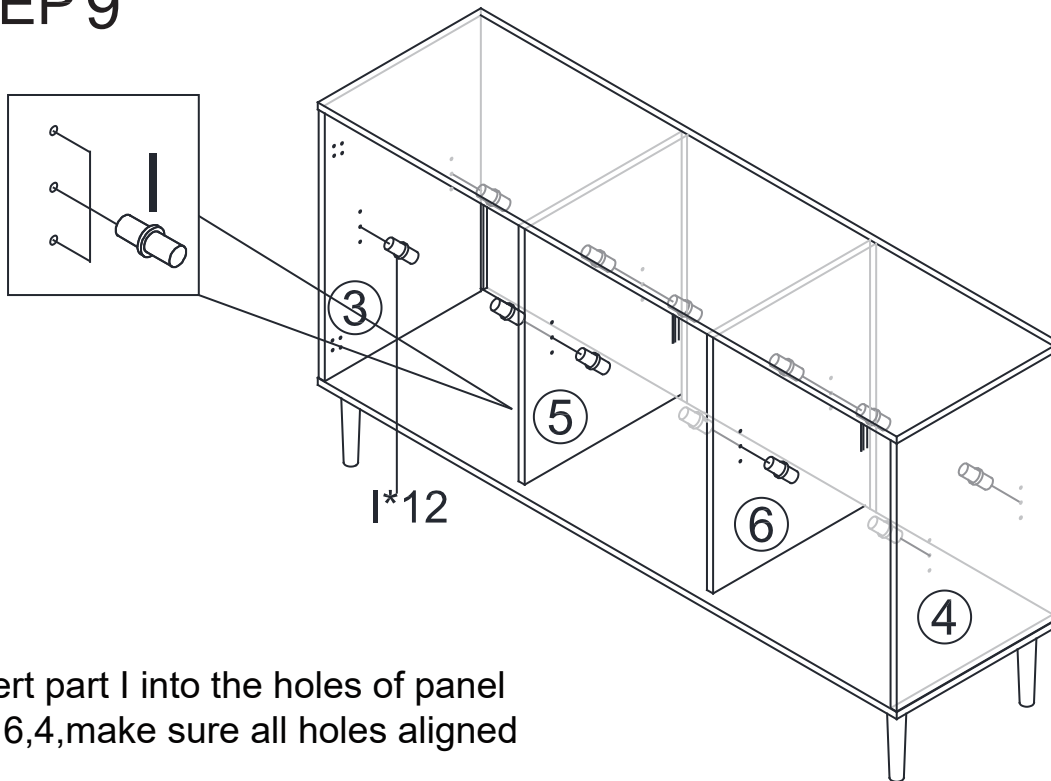


# STEP 8



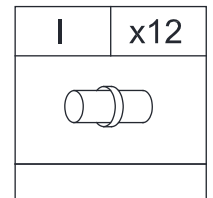
Use screwdriver to connect screw E with tipping kits O on rear edge of top panel 1, then fasten to secure.

## STEP 9

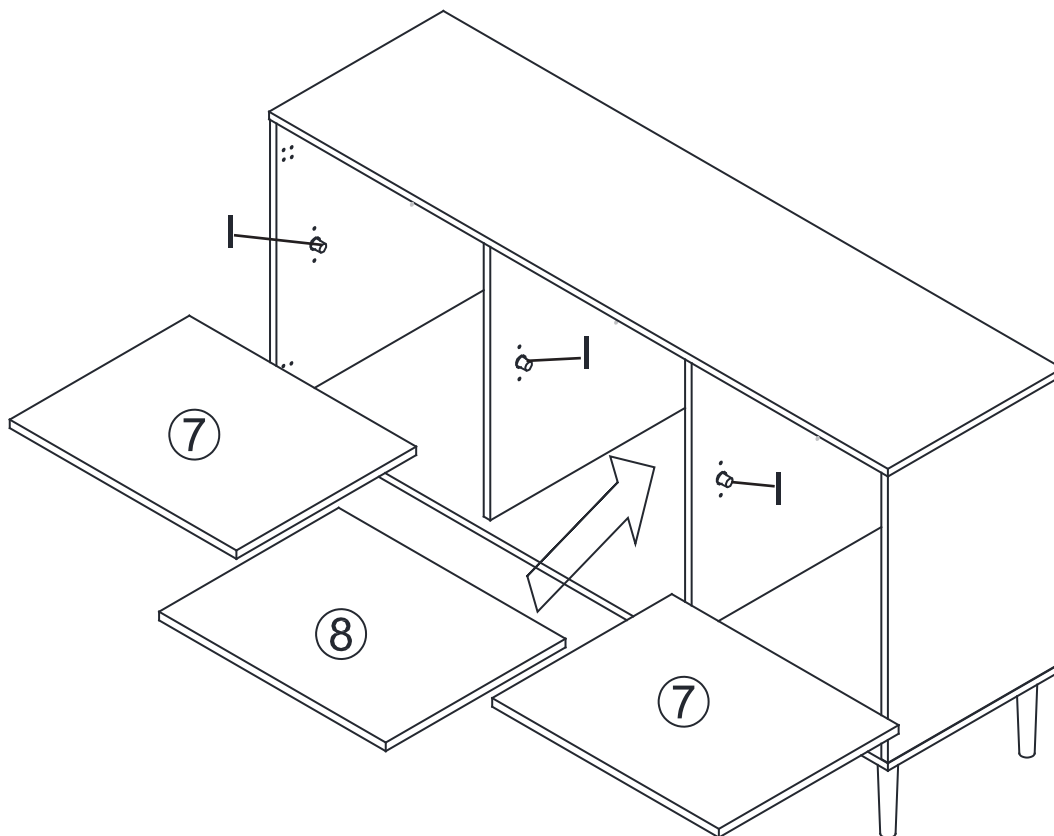


Insert part I into the holes of panel  
3,5,6,4, make sure all holes aligned

Insert shelf pin I into desired level on part 3,5,6,4

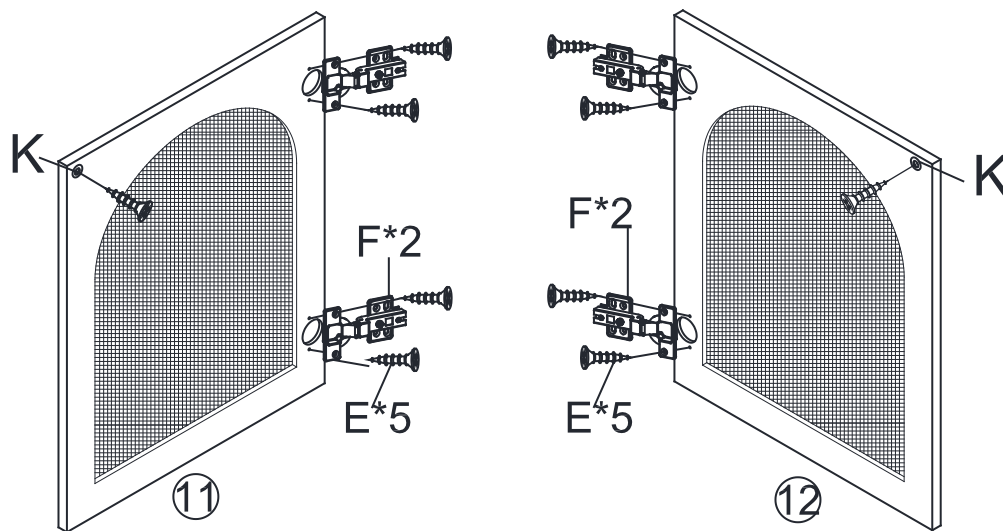


## STEP 10



Slide shelf 7 & 8 into place on part I.

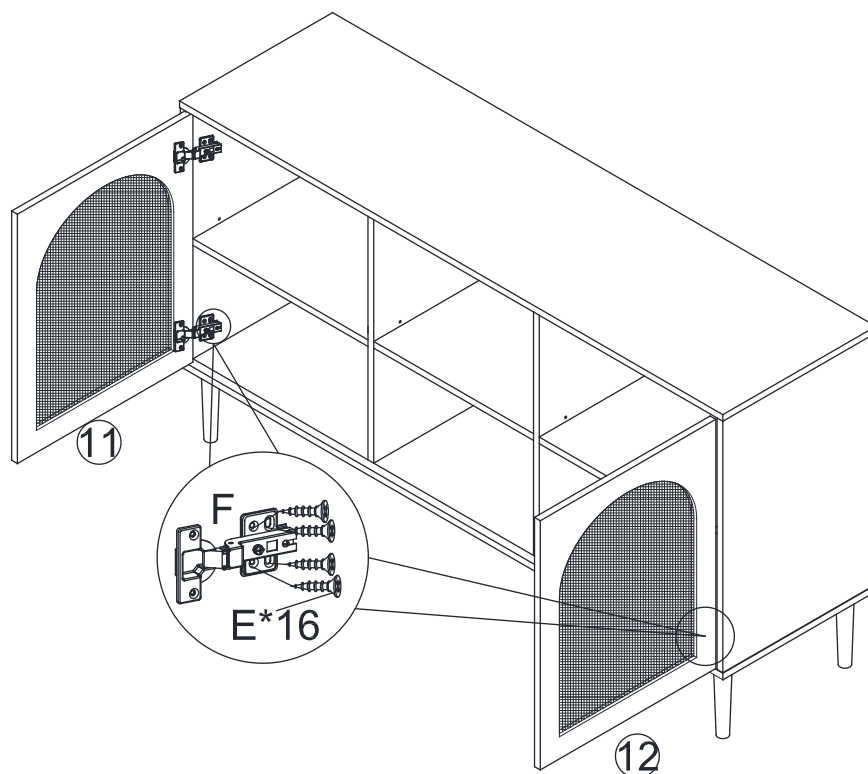
# STEP 11



Use screw E to attach hinge (F) to door 11 & 12 ,  
and then use screw(E) to attach plate washer (K)  
to door 11 & 12 , tighten screw(E) with screwdriver(T).

K	x2	E	x10	F	x4
		Ø3.5*14mm			

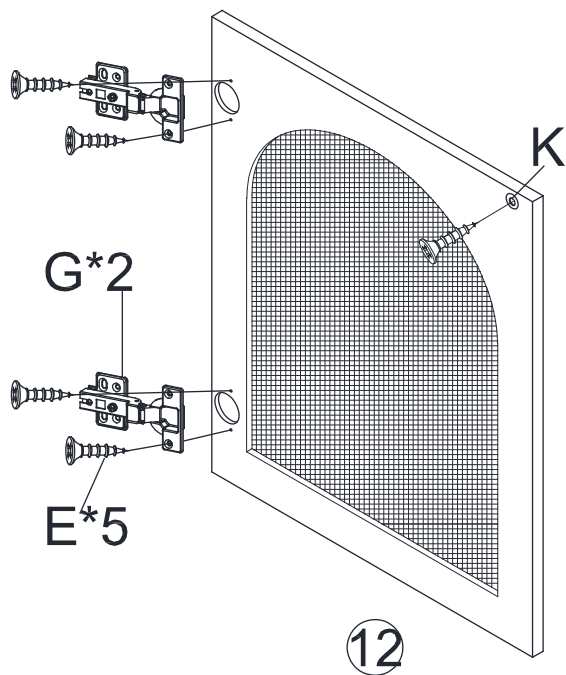
# STEP 12



Use screw(E) to attach preassemble door 11 & 12  
to preassemble unit at step 10, tighten screw(E) with  
screwdriver(T).

E	x16
Ø3.5*14mm	

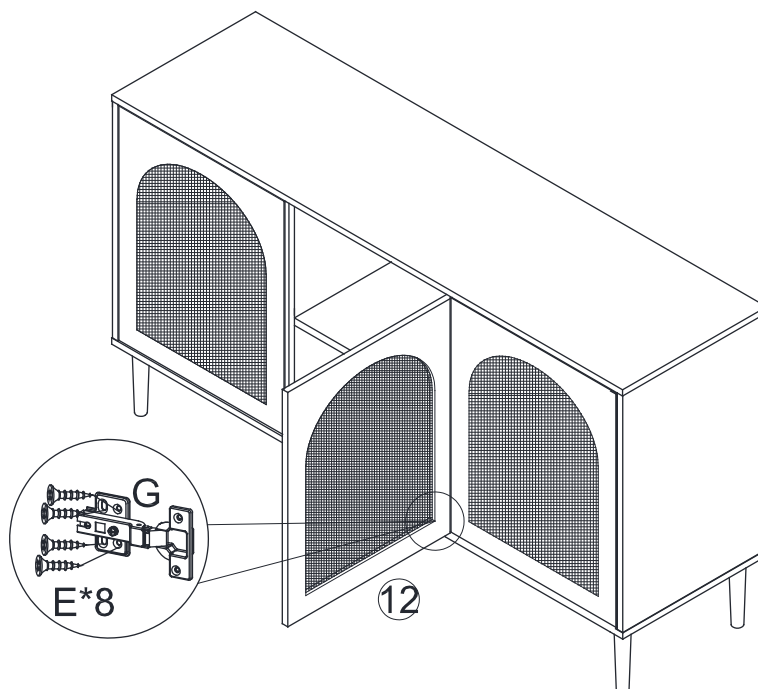
# STEP 13



Use screw(E) to attach hinge (G) to door 12, and then use screw(E) to attach plate washer(K) to door 12, tighten screw(E) with screwdriver(T).

K	x1	E	x5	G	x2
		Ø3.5*14mm			

# STEP 14

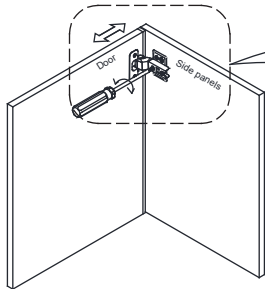


Use screw(E) to attach preassemble door 12 to the preassemble unit at step 12, make sure all holes are aligned and tighten screw(E) with screwdriver(T).

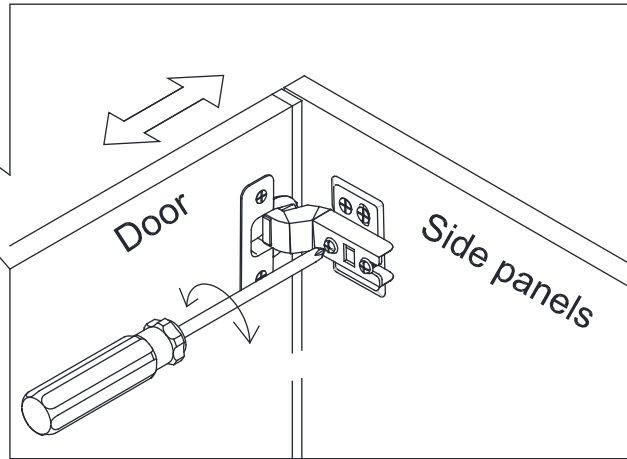
E	x8
Ø3.5*14mm	

# STEP 15

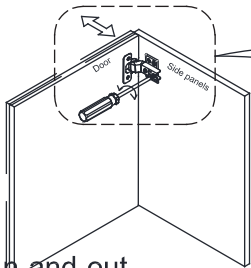
Concealed hinges are three-way adjustable:



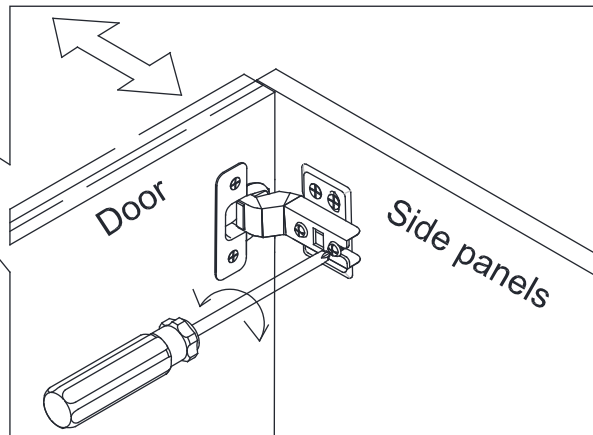
Horizontal  
by screw adjustment!



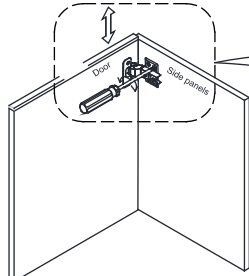
Concealed hinges are three-way adjustable:



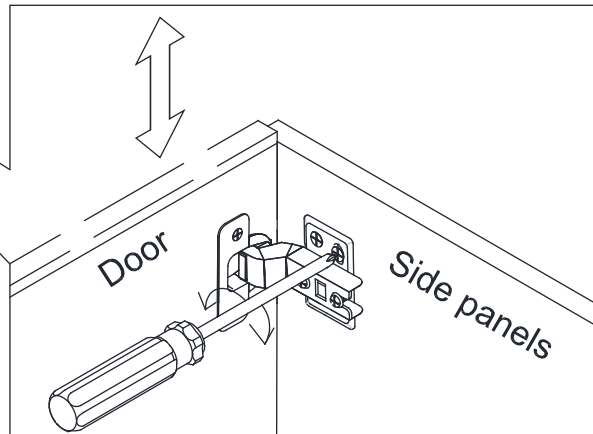
In-and-out  
by loosening the hinge arm  
mounting screw or via cam  
adjustment!



Concealed hinges are three-way adjustable:

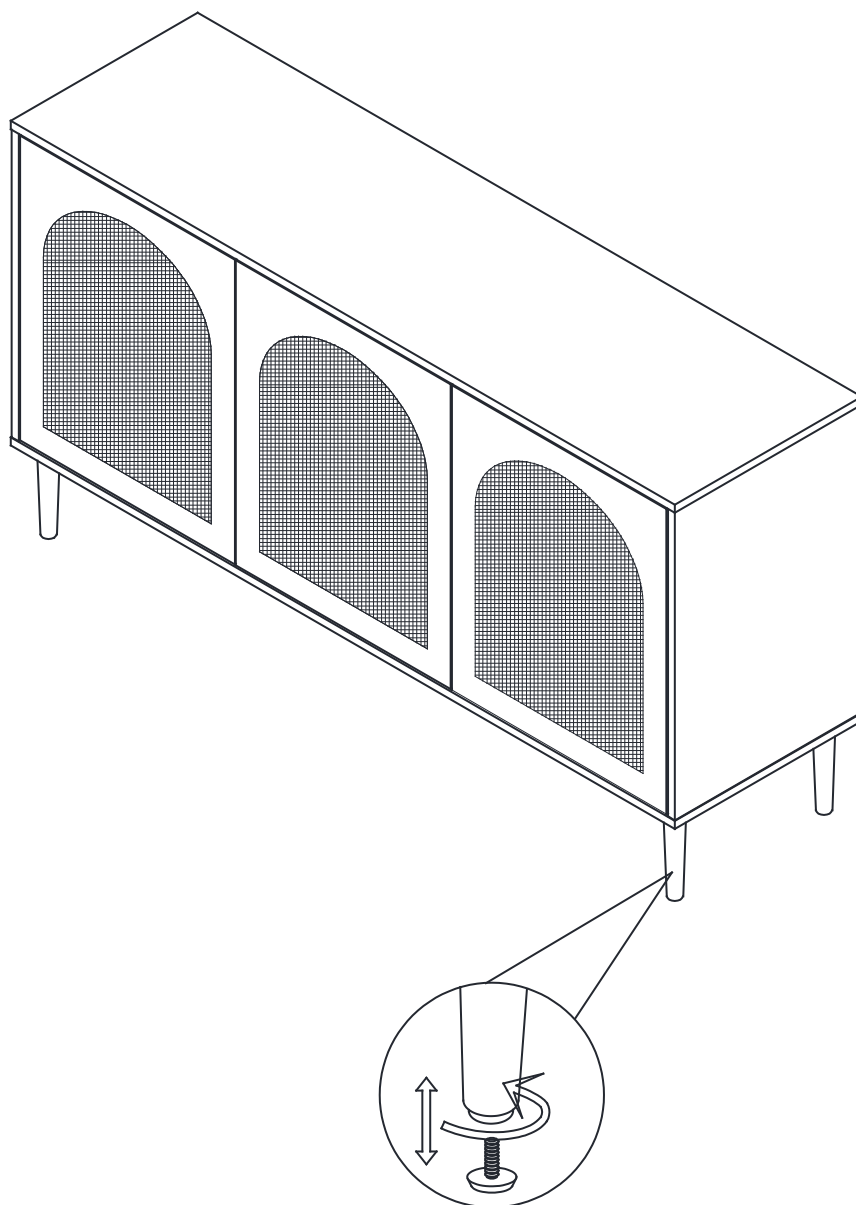


Vertical via slots in  
the mounting plate  
or via cam adjustment!



## Hinge adjustment method

# STEP 16



Please adjust the levels to keep the cabinet in balance.

# STEP 17

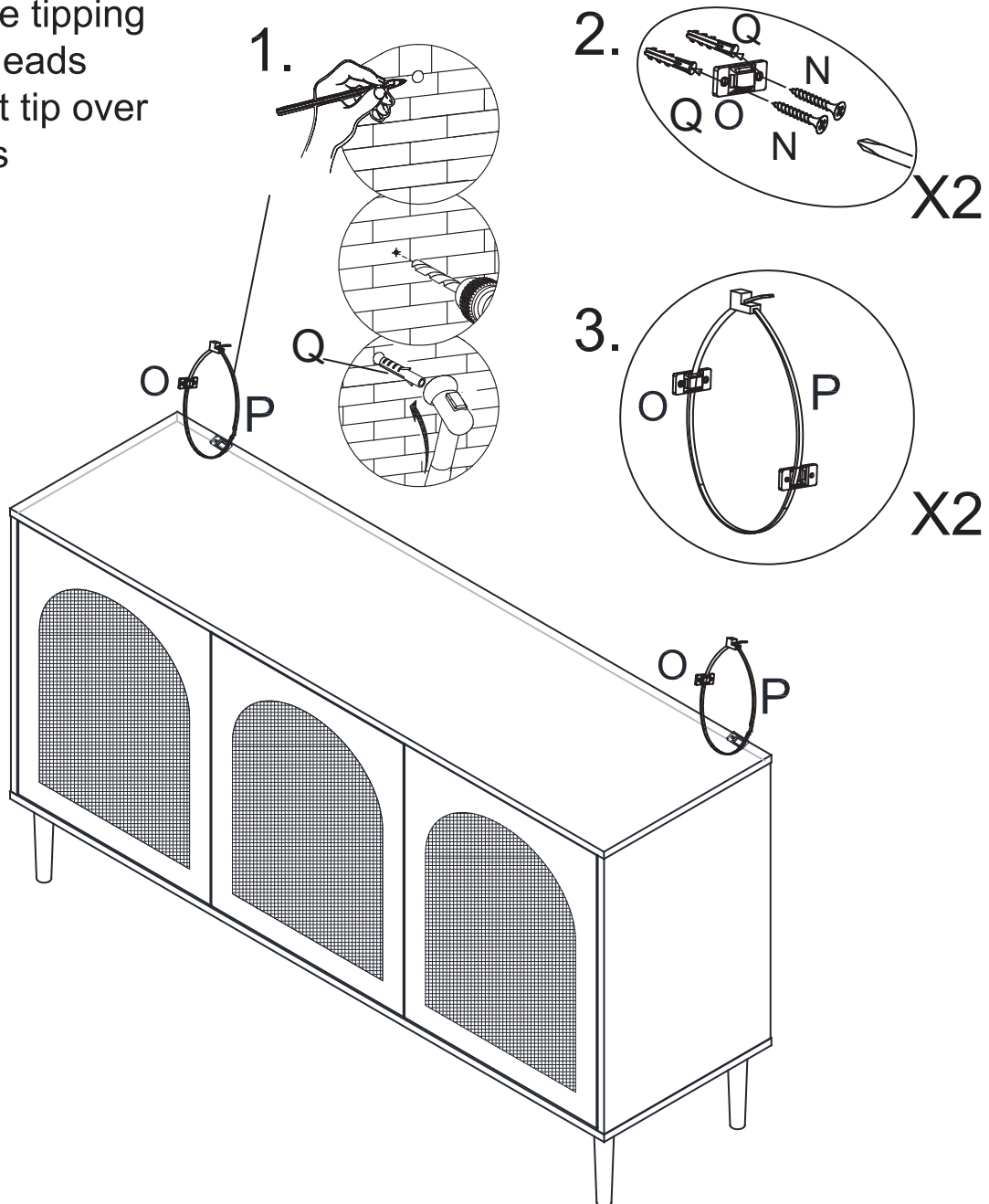
Install the tipping kits.

1. Mark the position on the wall, this should be same as the position of O where are on rear edge of panel 1; Drilled and insert the plastic insert Q by hammer;





2. Assemble the part O on the wall. Align the hole in the part O to the expandable screw Q, screw N in and tighten by screwdriver S;

3. let the plastic belt P go through the both O and pull to tighten.

Fail to use tipping kits may leads to cabinet tip over or injuries



Assembly completed

Q	x4	N	x4	O	x2	P	x2
							
		Ø4*35mm					

# **WARRANTY**

We strive to offer high-quality products, and we also try our best to satisfy each and every customer that orders from us with product or service as needed. We provide 30 days warranty starting from the time you receive the item. Each customer must provide a record of their order such as the order number, or item receipt for any items that are out of the warranty period you may also still receive replacement parts by purchasing them with our company if they are available.

**Are you having difficulty  
with assembly? Missing parts?**

**Please send email with your order No**

**For return, Please check the return policy with  
the retailer or MarketPlace you bought from.**

**Appreciated your purchasing from us.  
Pop up your life by our furniture piece!**