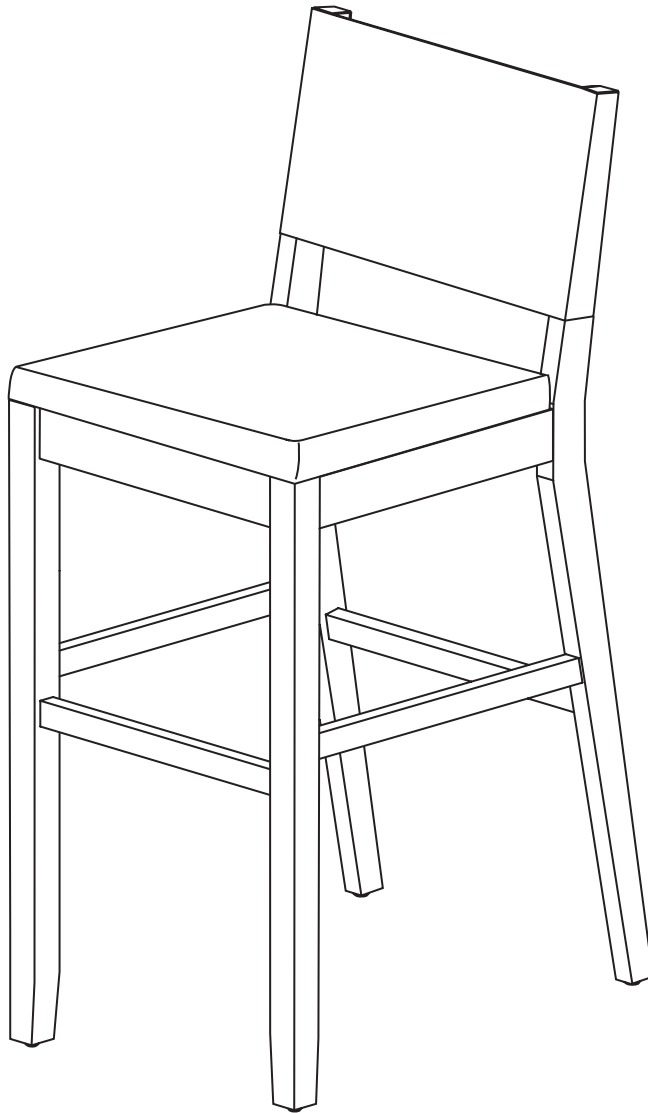


Let's build the

Linus Bar Stool

SKU 22001



Scan me!

Free Lifetime
Warranty

nathan james

23-0310

Ok, let's get rolling

This should be easy, just follow our instructions and you will be back to Netflix in no time.

Estimated time for assembly



15:00

What you need

- Some of your favourite bubbly or your preferred relaxant
- Use the packaging carton as a working surface to prevent product damage during assembly
- Phillips Head Screwdriver

Weight Limitation



300
lbs

Toll-free at 1-866-619-1004
Help@nathanjames.com
Nathanjames.com/help

What's included

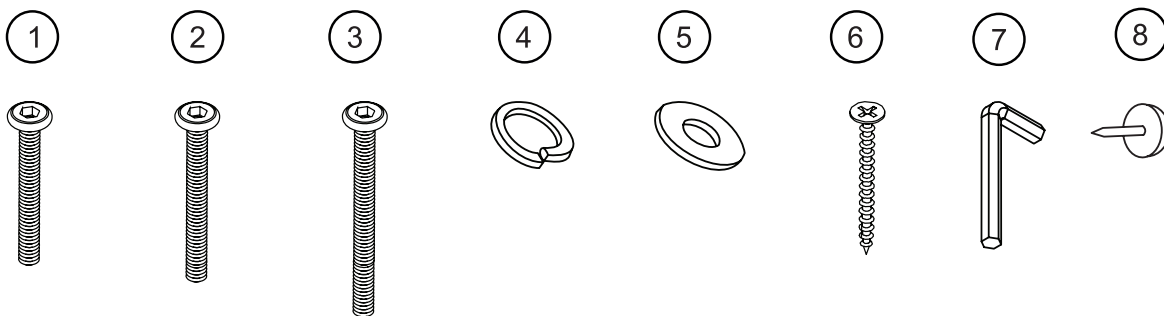
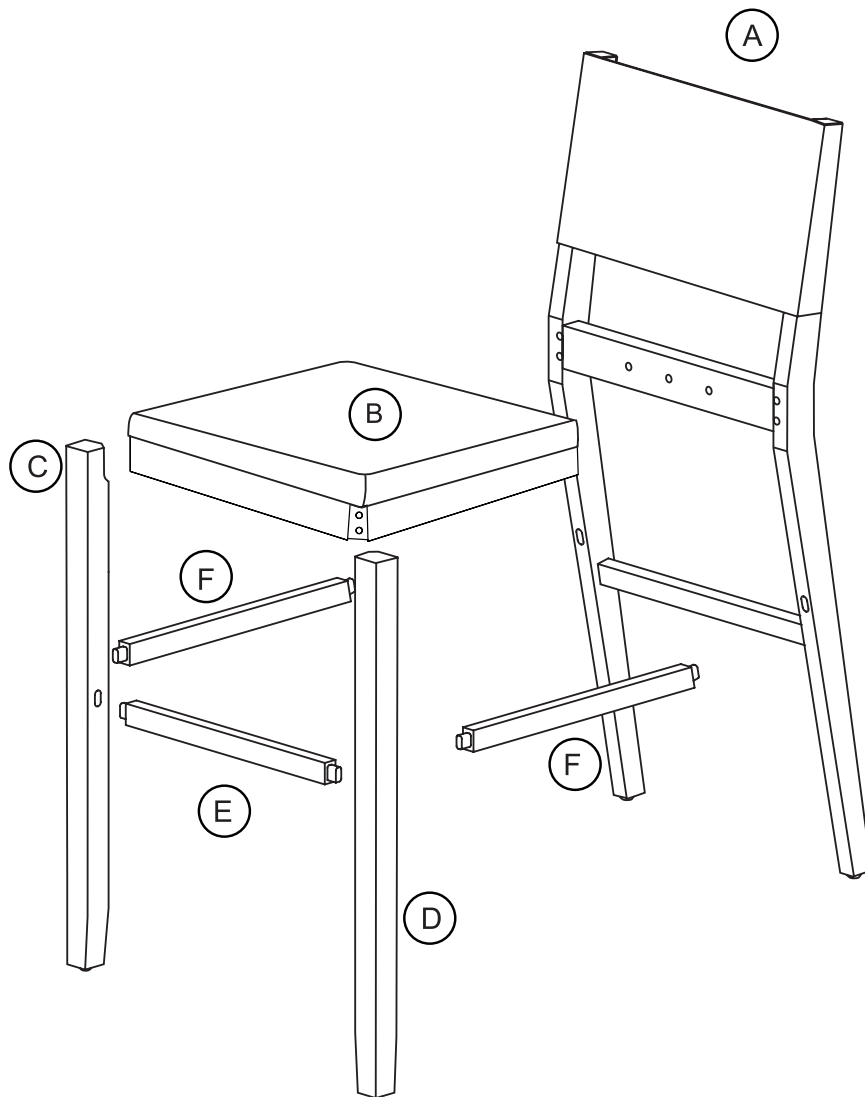
Description	Qty
A Chair Back	1
B Seat Cushion	1
C Front Leg - Right	1
D Front Leg - Left	1
E Front Footrest	1
F Side Stretcher	2
1 ¼ x 1 ½ inch Hex Button Head Bolt	2
2 ¼ x 2 ¾ inch Hex Button Head Bolt	4
3 ¼ x 3 ⅛ inch Hex Button Head Bolt	4
4 ¼ inch Lock Washer	10
5 ¼ inch Flat Washer	10
6 M4*38MM Phillips Head Screw	6
7 Allen Key	1
8 Plastic Nail-in Footpad (Extra)	4

Scan me!

Free Lifetime
Warranty



The goods



IMPORTANT

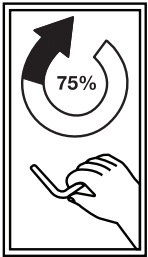
1. Do not tighten bolts / screws completely until all bolts / screws are lined up and inserted into holes.
2. Do not over tighten screws and bolts to avoid stripping.
3. Please use hand tools to assemble this product. Do not use power tools.

Step 1

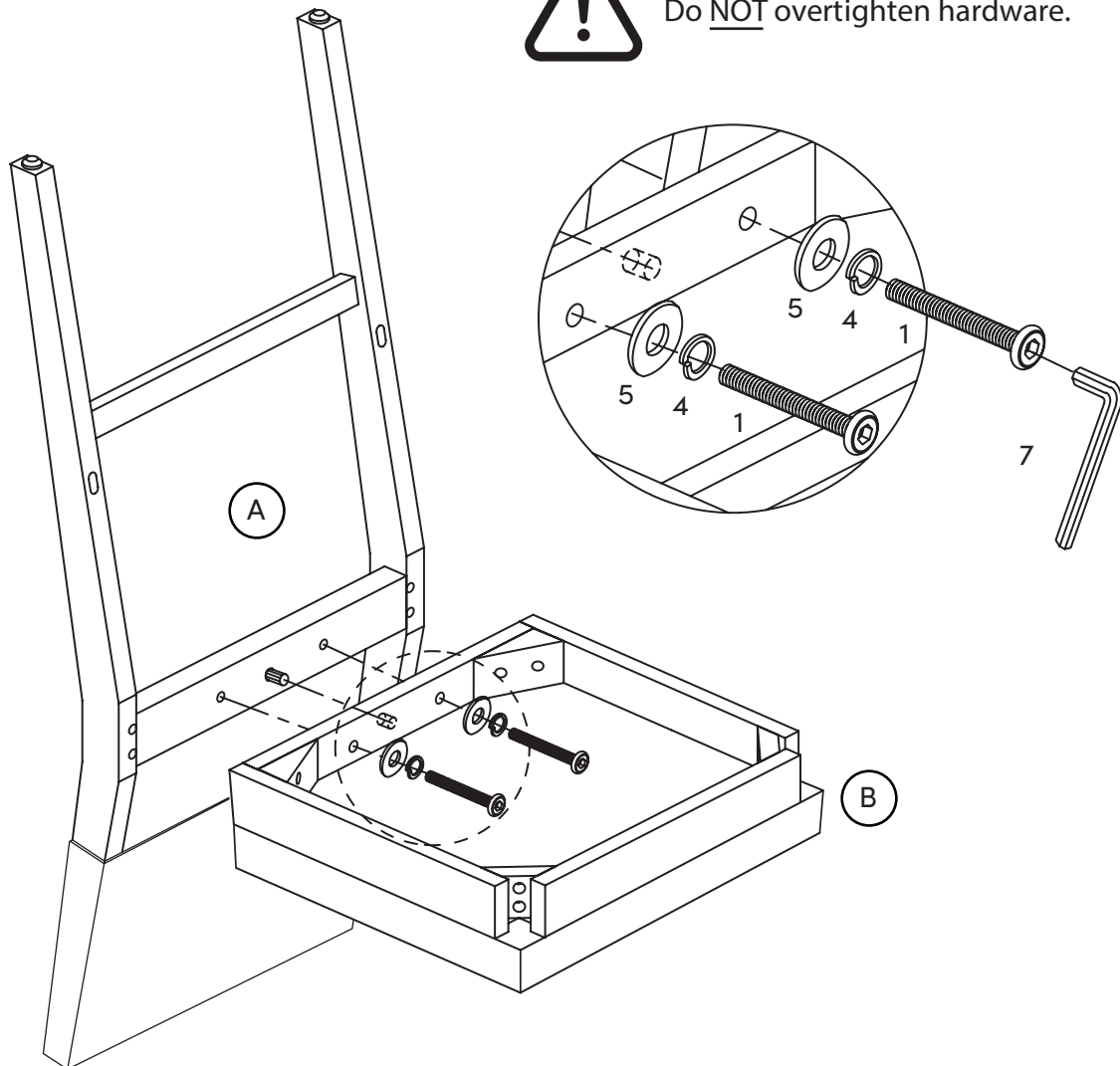
Let's get this thing fired up!

Secure on the Chair Back (A) and the Seat Cushion (B) using the 1/4 inch Flat Washer (5), 1/4 inch Lock Washer (4) and 1/4 x 1 1/2 inch Hex Button Head Bolt (1).

Tighten to 75% for now.



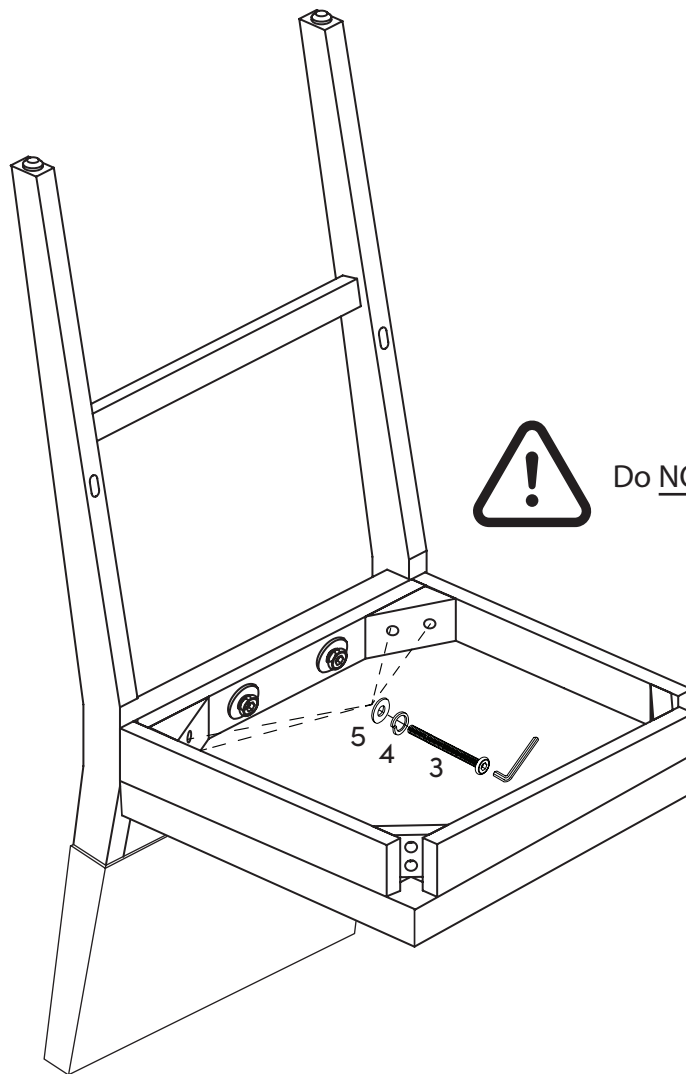
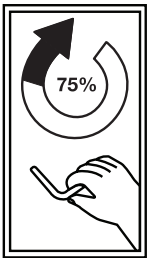
Do NOT overtighten hardware.



Step 2

Take a moment to match the sticker on the bottom of the chair back with the sticker on the corner block. Then, secure the Seat Frame (B) using the 1/4 x 3 1/8 inch Hex Button Head Bolt (3), 1/4 inch Lock Washer (4), and 1/4 inch Flat Washer (5).

Again, tighten to 75%!



Do NOT overtighten hardware.

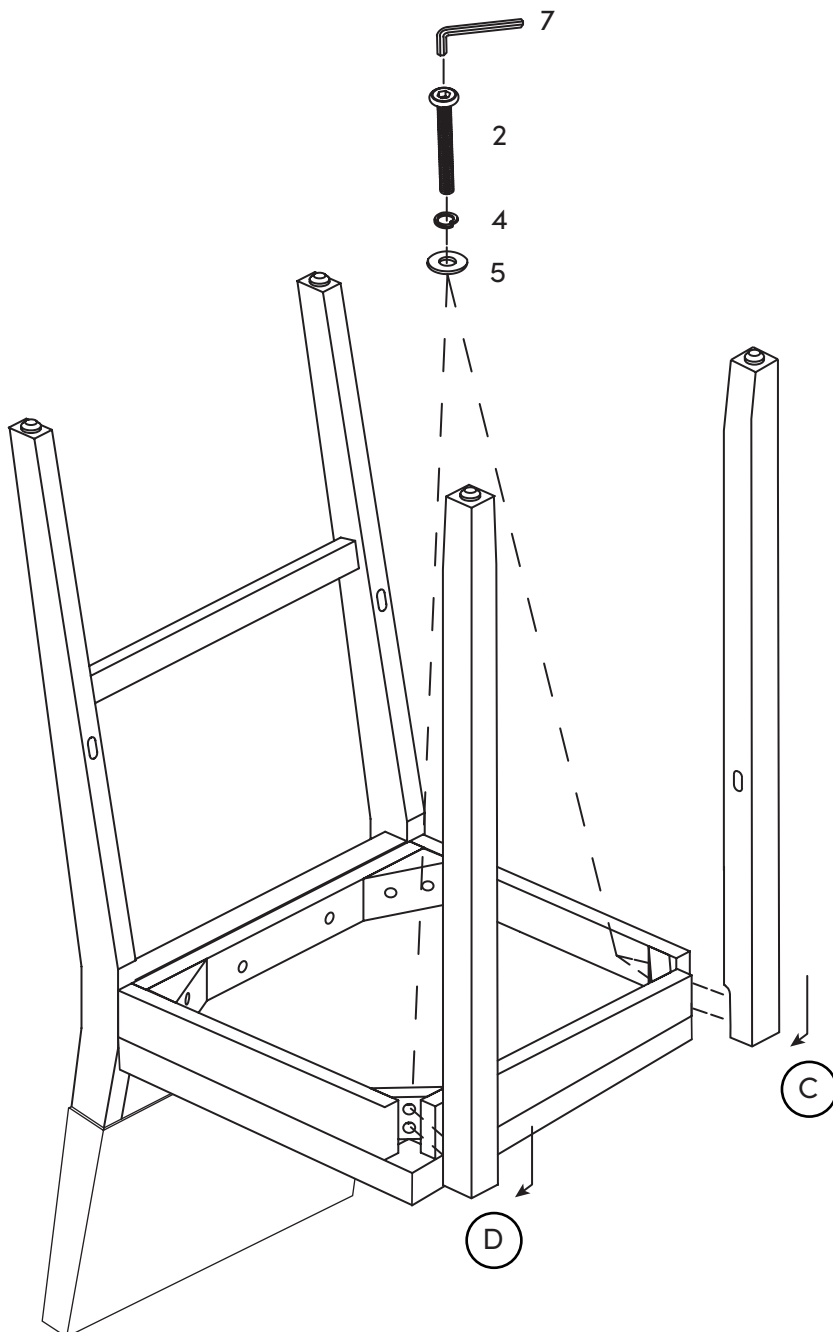
Step 3

Let's secure those Legs (C) and (D) in place! Consider this your workout of the day.

Tighten to 75%.



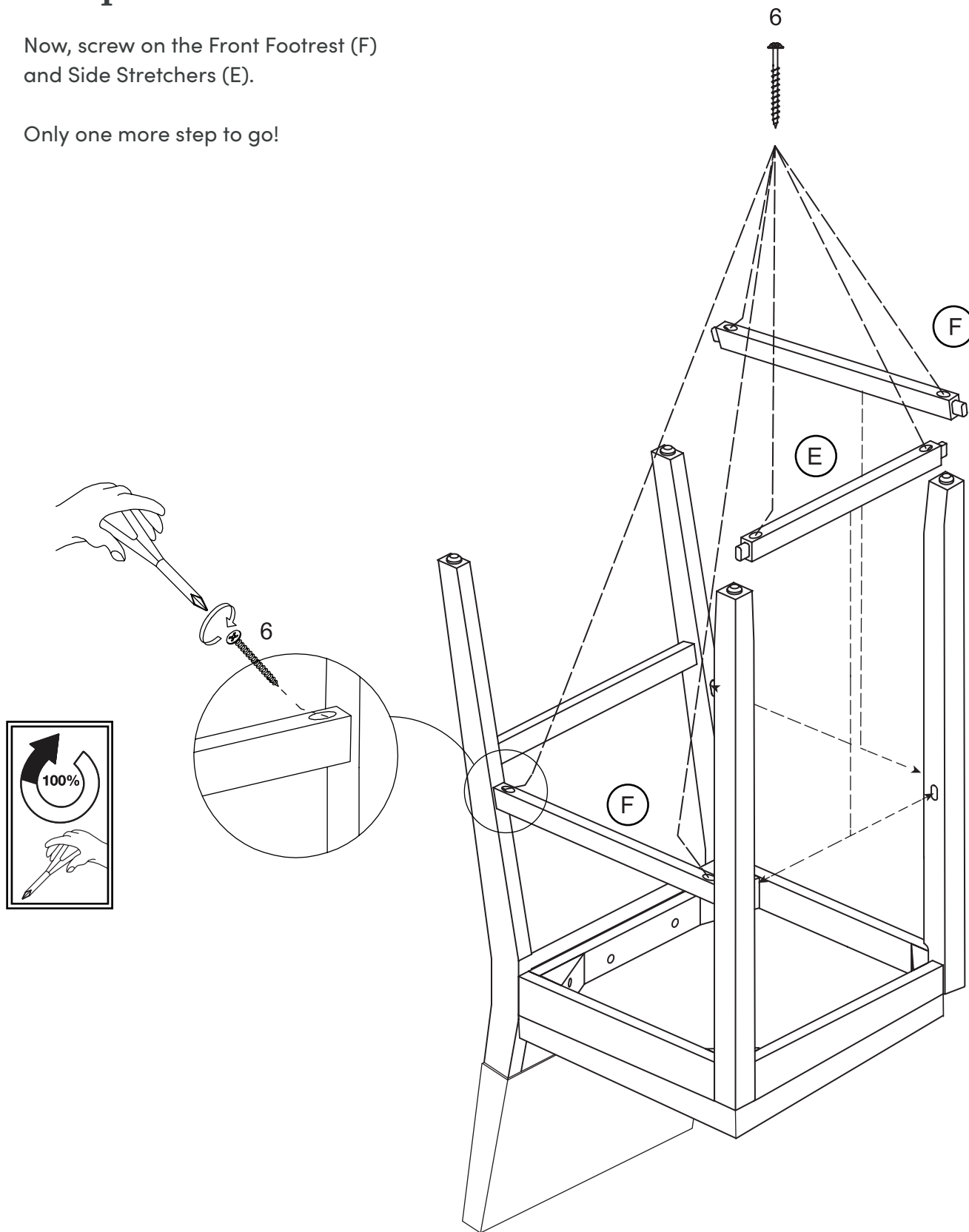
Do NOT overtighten hardware.



Step 4

Now, screw on the Front Footrest (F) and Side Stretchers (E).

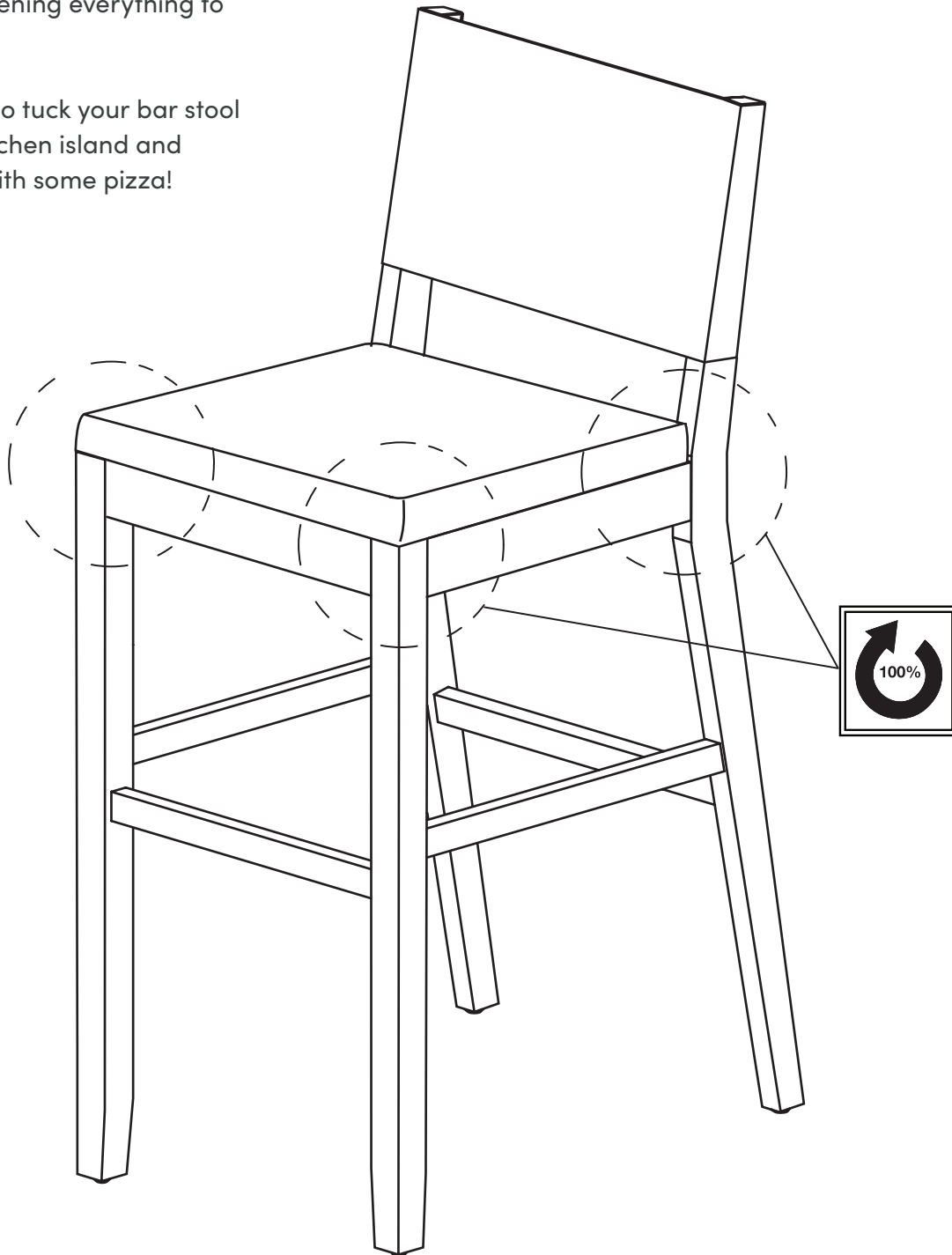
Only one more step to go!



Step 5

Carefully flip the stool over on a flat surface and make sure that the legs are touching the ground evenly before tightening everything to 100%.

You did it! Go tuck your bar stool into your kitchen island and celebrate with some pizza!



No heartburn, when we handle the return

Give us a call **1-866-619-1004** or shoot us a message at **help@nathanjames.com** we will issue you a free replacement with **zero hassle**.

Our way



Give us a call



Replacement



You

Their way



Re-package item



Schedule pick up



Track package



Replacement



You

We really don't want you to go through the hassle of re-packaging your item and sending it back, because let's be honest...nobody has time for that.

Safety first, fun later

We want your product to last as long as possible, so we recommend that you tighten the screws 2 weeks after assembly and for added safety check the tightness of all screws every 2 months.

For proper care and treatment of wood and fabric please check our website at NathanJames.com/products

Safe use of this product starts with you.

Use this stool responsibly with the primary concern for your safety. Follow assembly instructions carefully and inspect product upon receipt and each use.

Nathan James and its parent companies cannot be held legally responsible for any injuries or death resulted from failure to follow instructions or improper use of this product.

Do not modify the structure of this product in any way.

Our products have been tested to meet specific safety measures as they were originally intended to be sold. Any modifications will present the risk of creating significant safety issues which NJ will not be responsible for.

Proper use

- DO NOT** use for commercial purposes
- DO NOT** place on uneven floor or surface
- DO NOT** use as a step-stool or stand on stool
- DO NOT** put hot serving liquid directly on stool
- DO NOT** leave spilled liquid on stool
- DO NOT** use if stool is damaged or broken
- DO NOT** make temporary repairs
- DO NOT** use outdoors

We are only in business if you're happy

For starters, thanks for being you.

☎ Toll-free at 1-866-619-1004

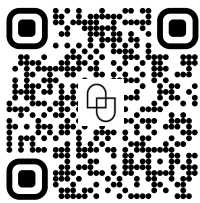
✉ Help@nathanjames.com

🌐 NathanJames.com/help

We do our best to ensure your furniture arrives without any problems, but occasionally mistakes happen—as humans we are imperfect beings. In the event that a part is damaged or missing, we will be more than happy to provide you with replacement part(s) for free.

Warranty

This product comes with a lifetime warranty from the date of purchase. Please use your phone to scan the QR code to register your product or visit <https://goo.gl/i9dk3q>



Did we do alright? Please spread the love!

If you are happy with your product, tell your friends and family about us or even better leave us a review online. Spreading the word gives us the opportunity to make more people happy and keep our prices low for your next purchase.

Brooklyn Burden

Founder, Nathan James