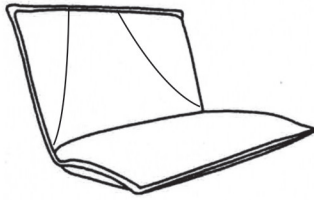


# ASSEMBLING INSTRUCTION

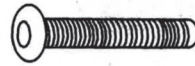
A\*1



B\*1



C\*4

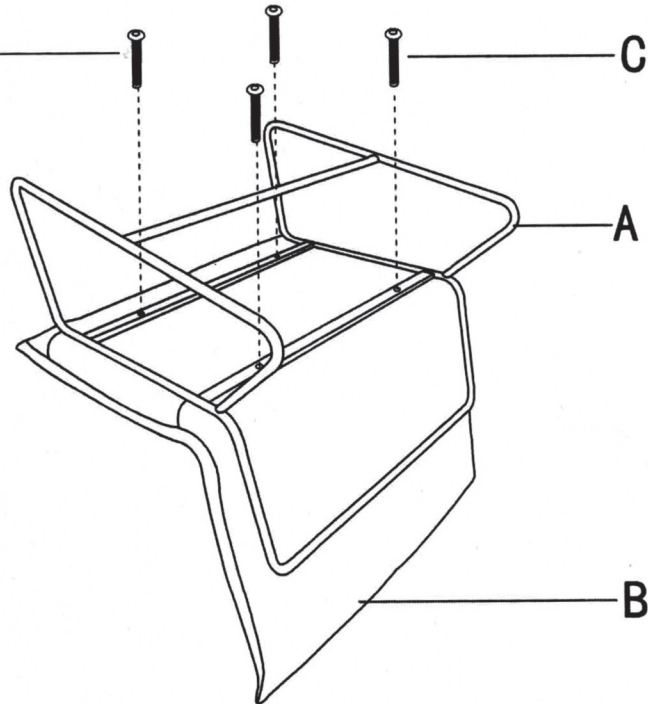


M6x35

D\*1



1



2

