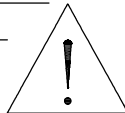
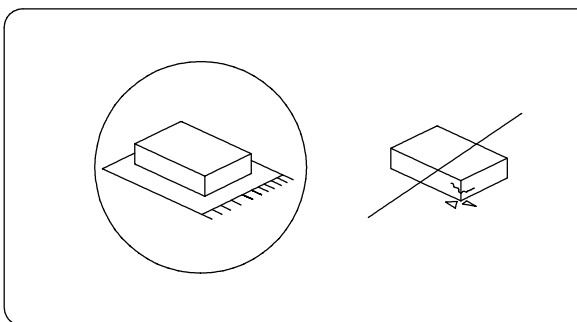
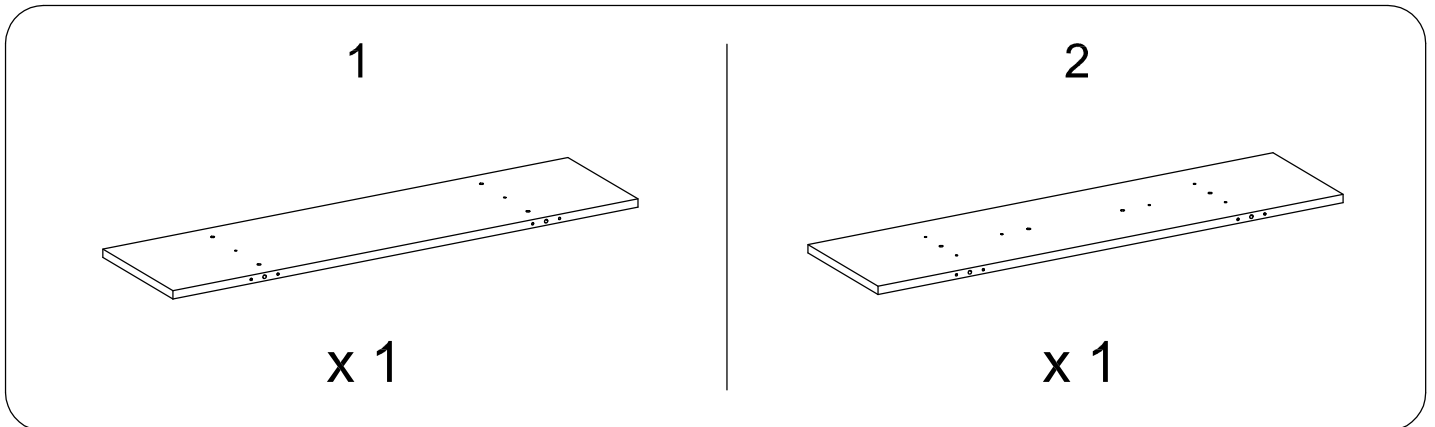
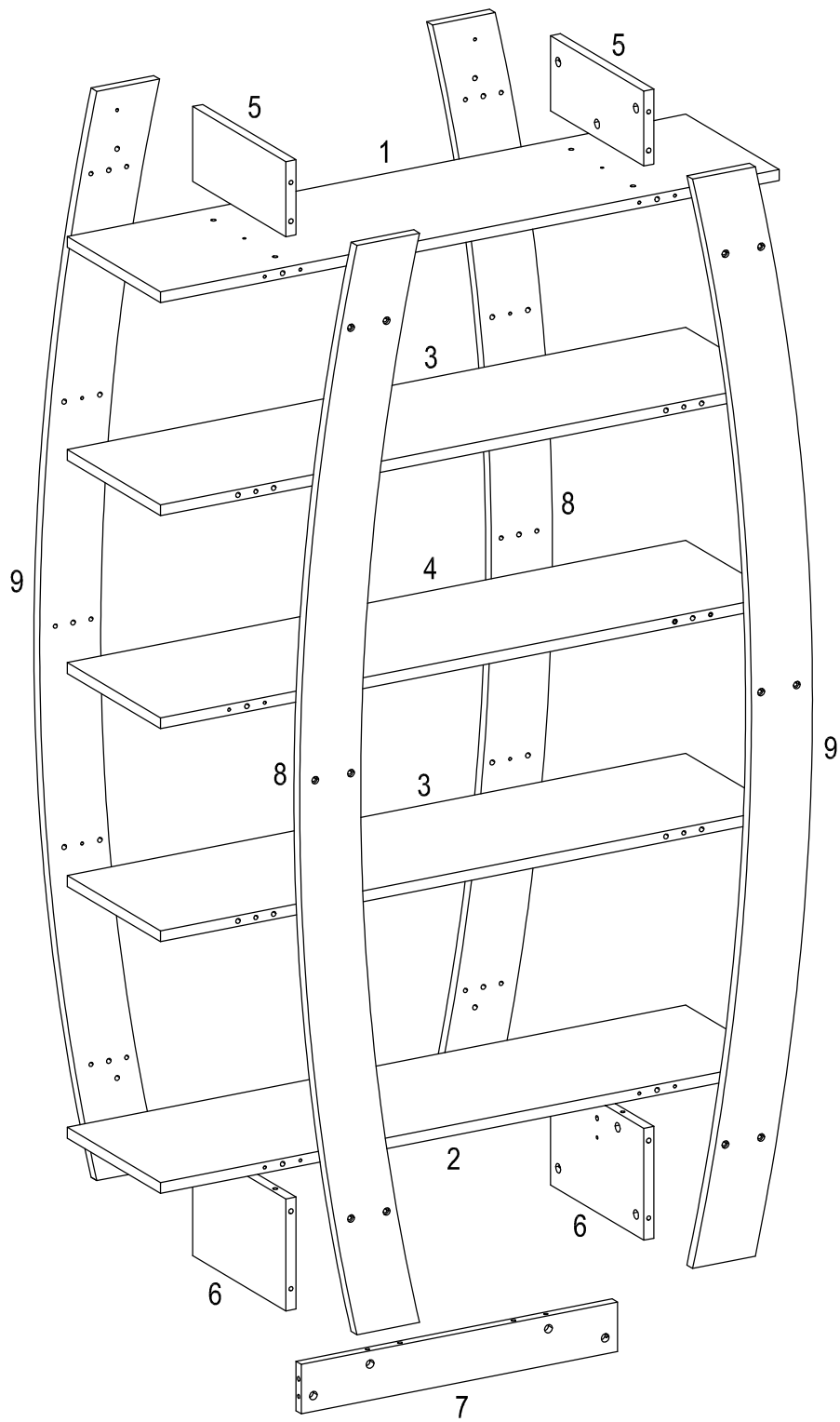
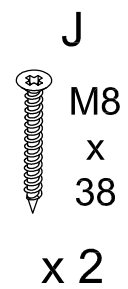
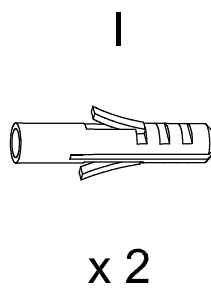
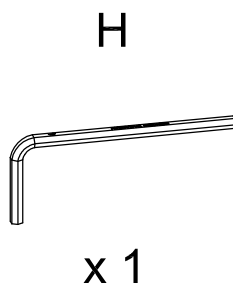
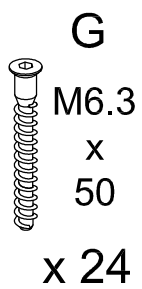
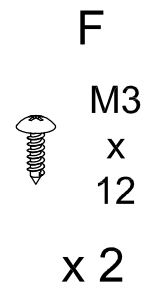
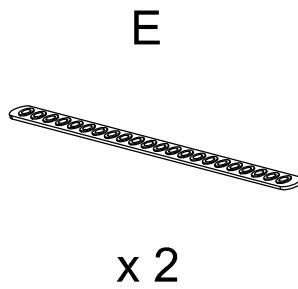
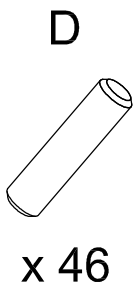
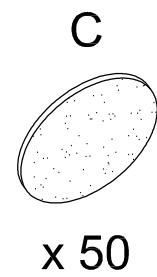
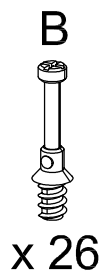
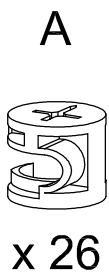
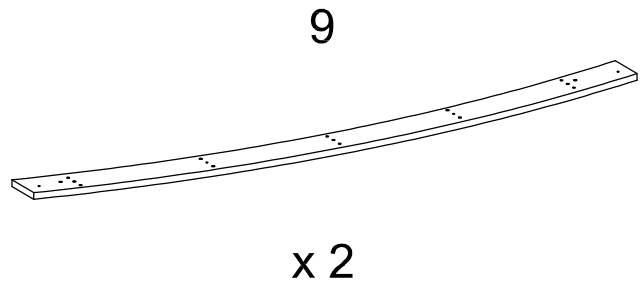
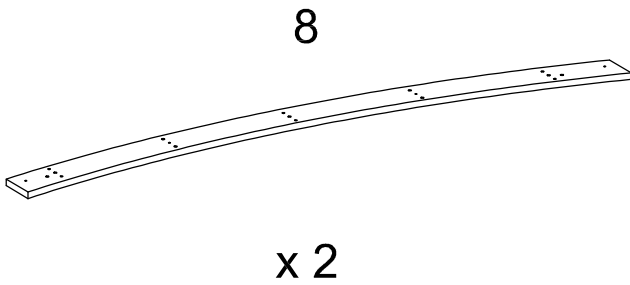
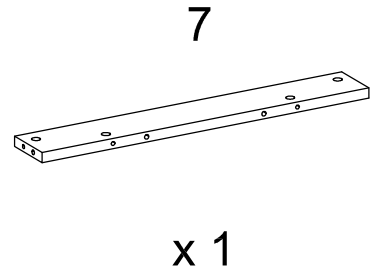
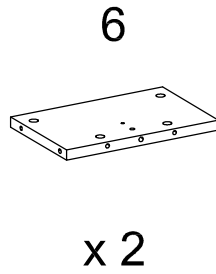
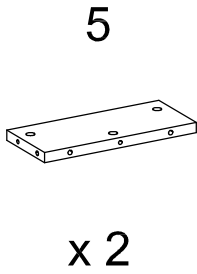
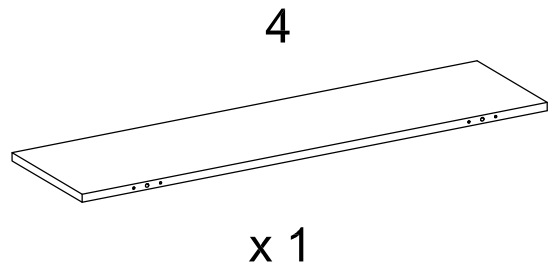
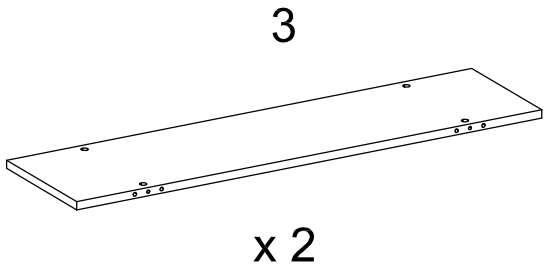


45'

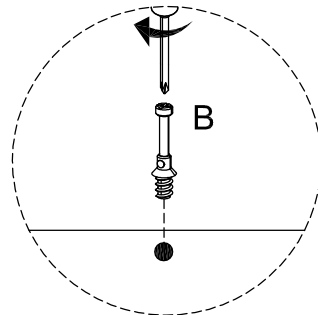
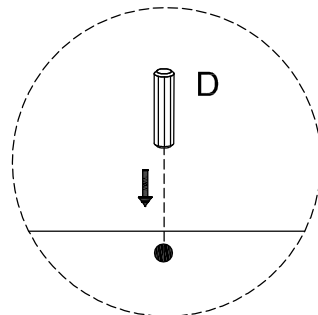
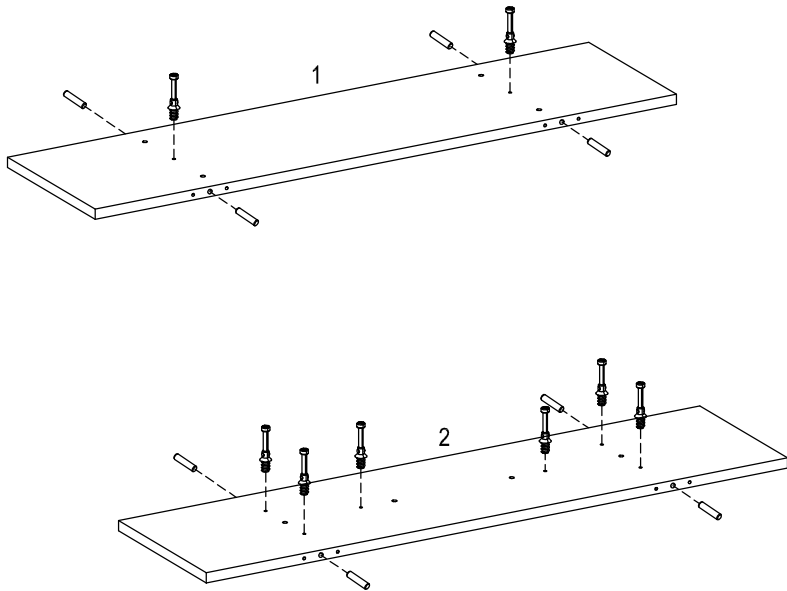
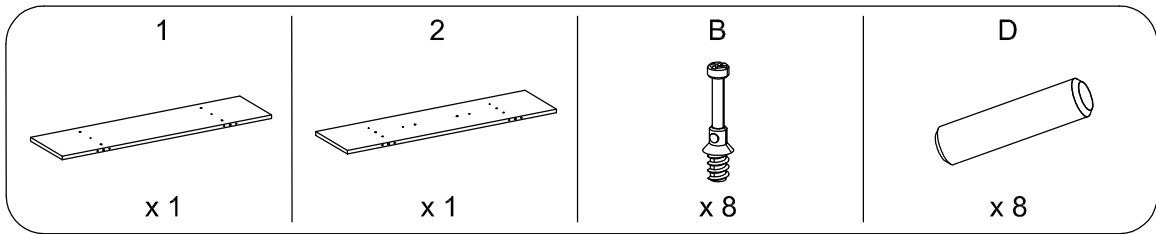


2

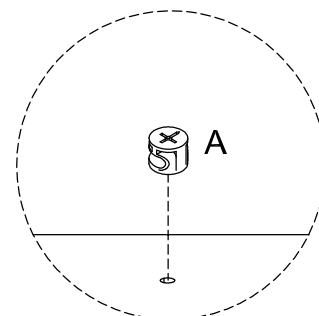
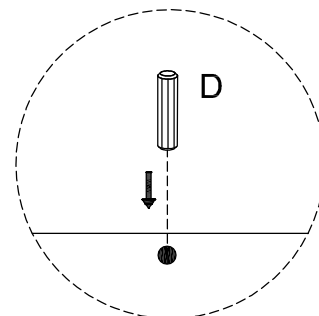
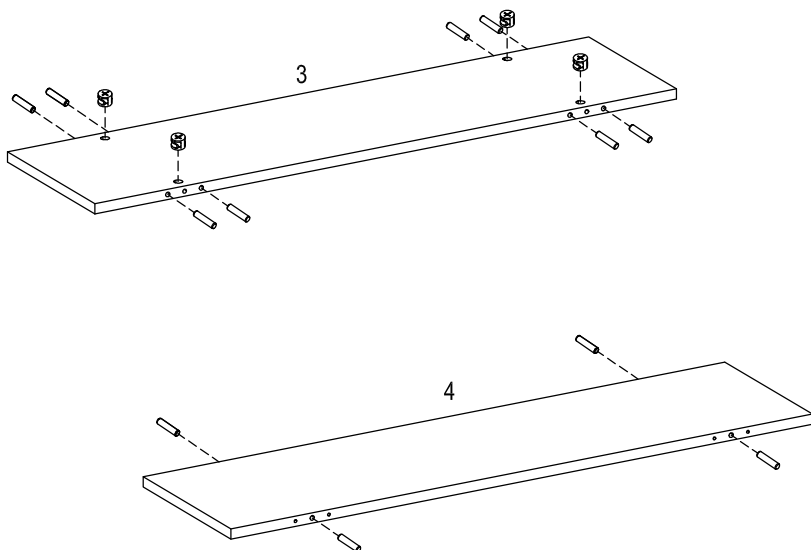
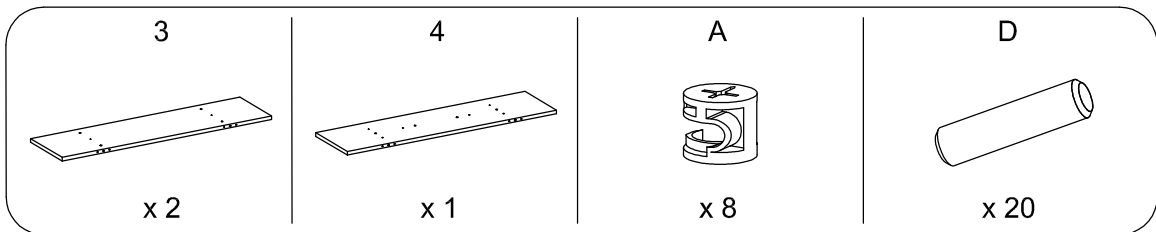




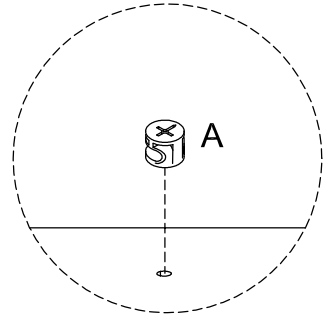
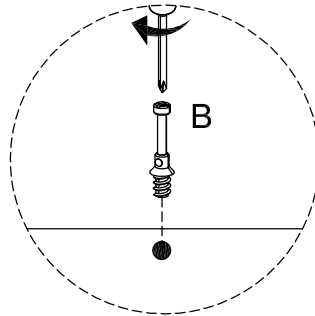
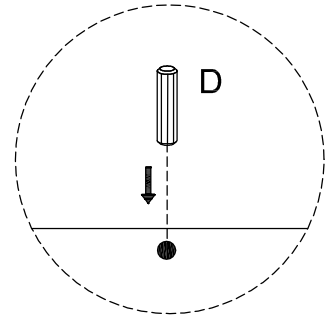
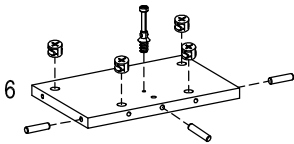
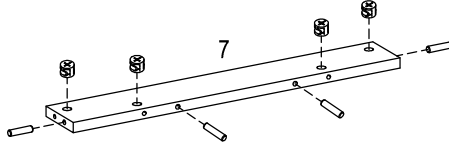
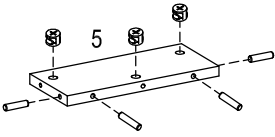
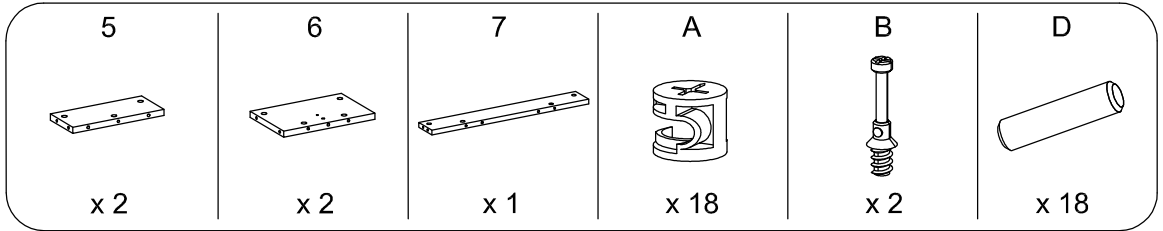
# 1



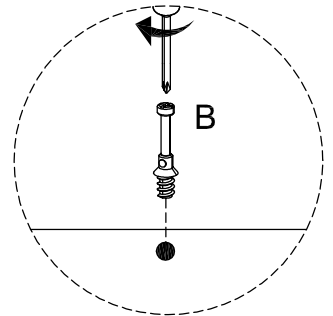
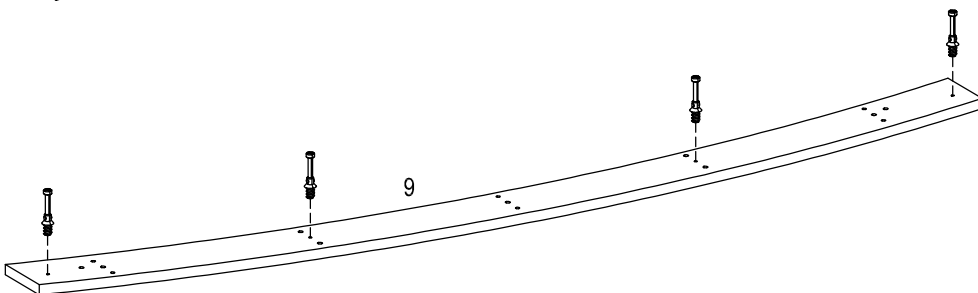
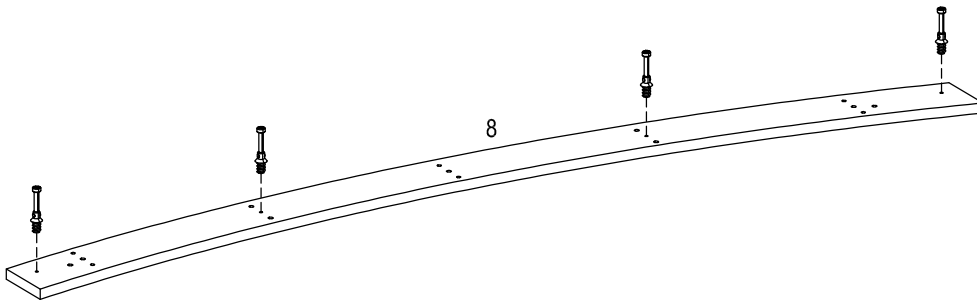
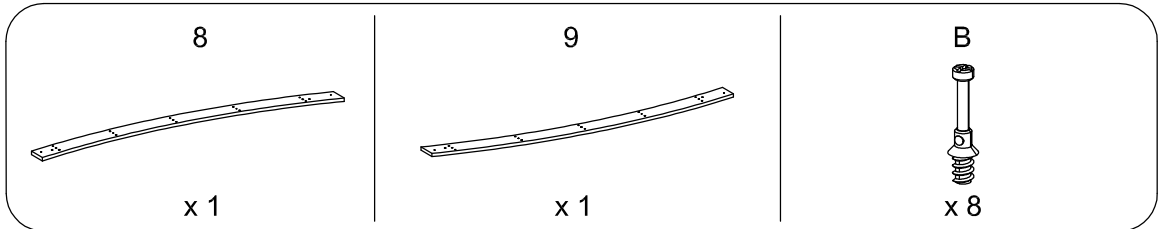
# 2



# 3

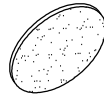


# 4 x 2

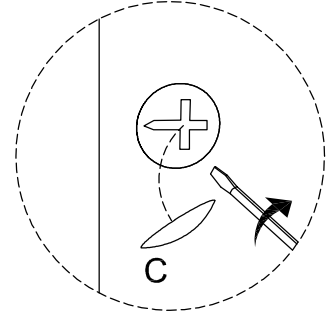
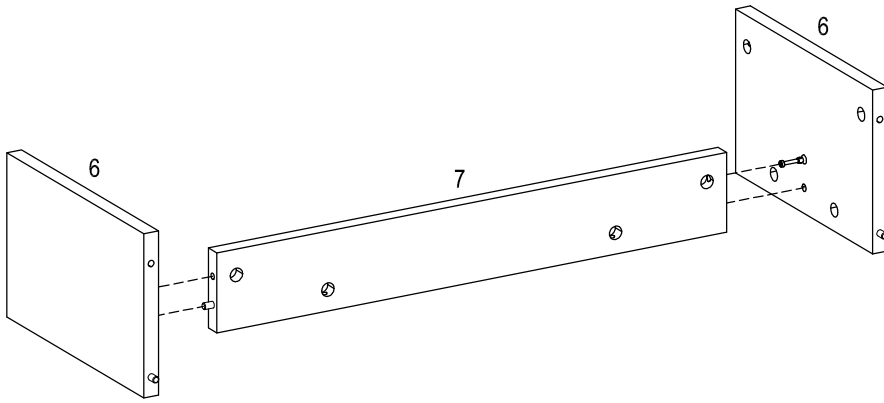


5

C

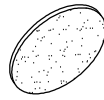


x 2

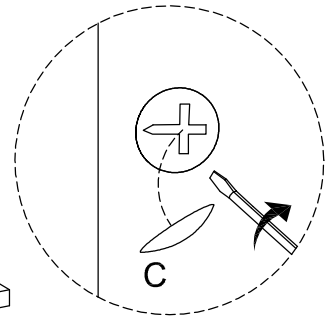
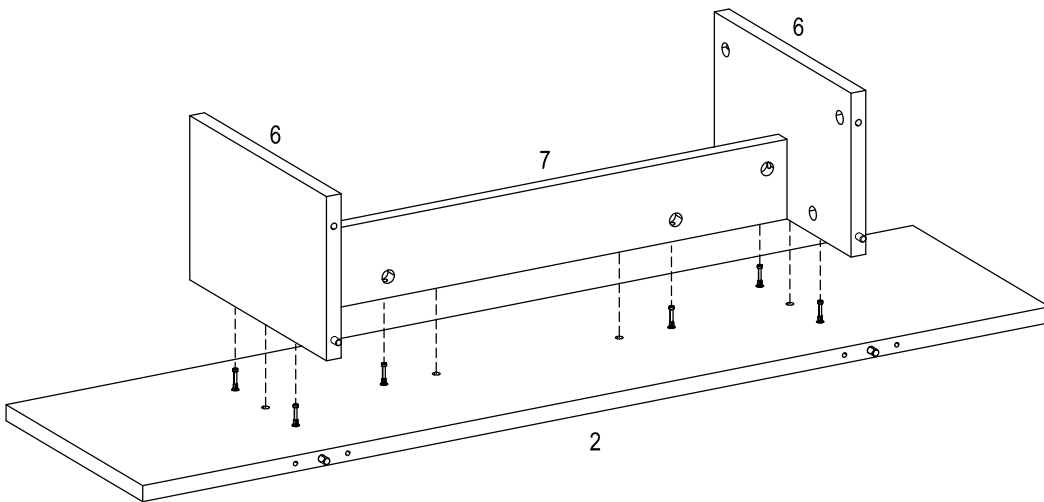


6

C

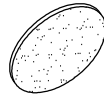


x 6

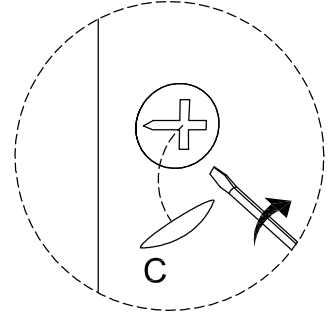
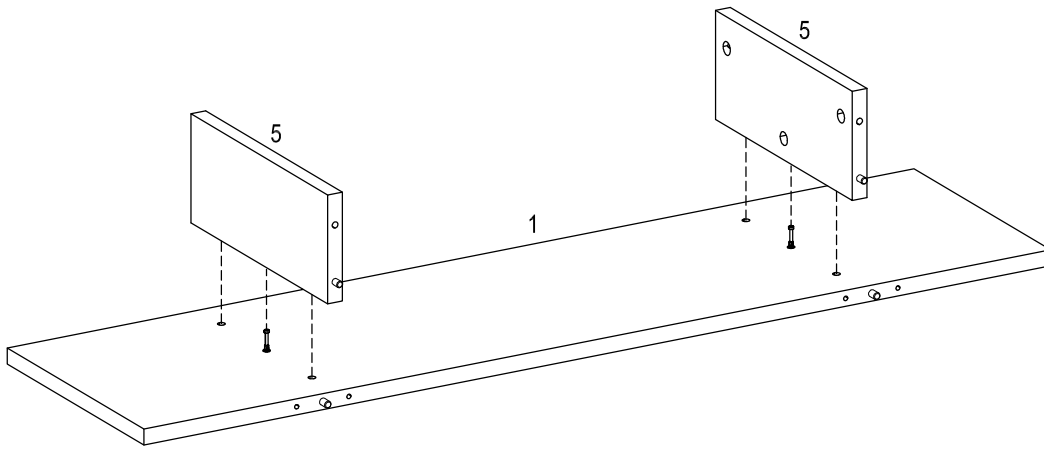


7

C

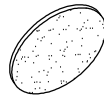


x 2

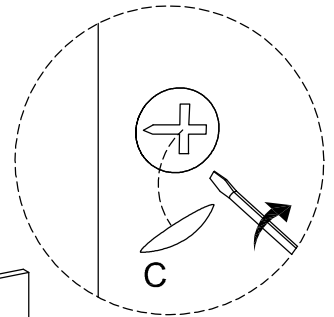
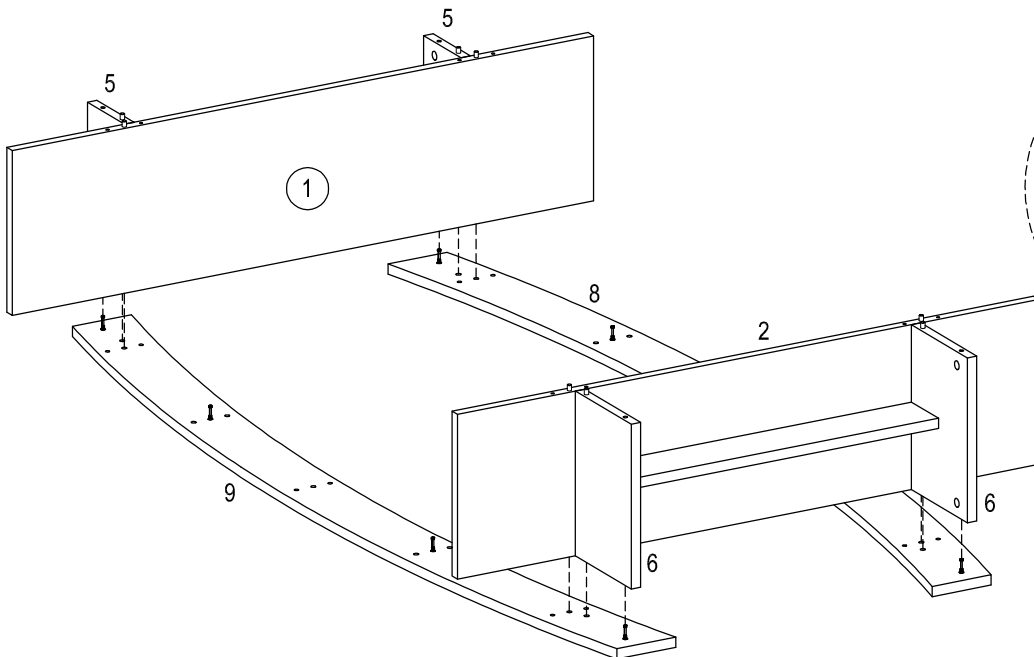


8

C

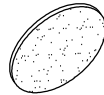


x 4

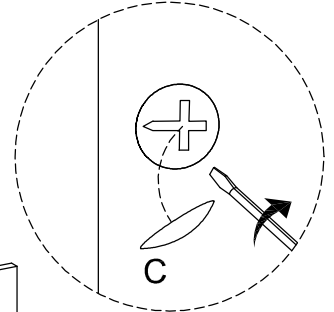
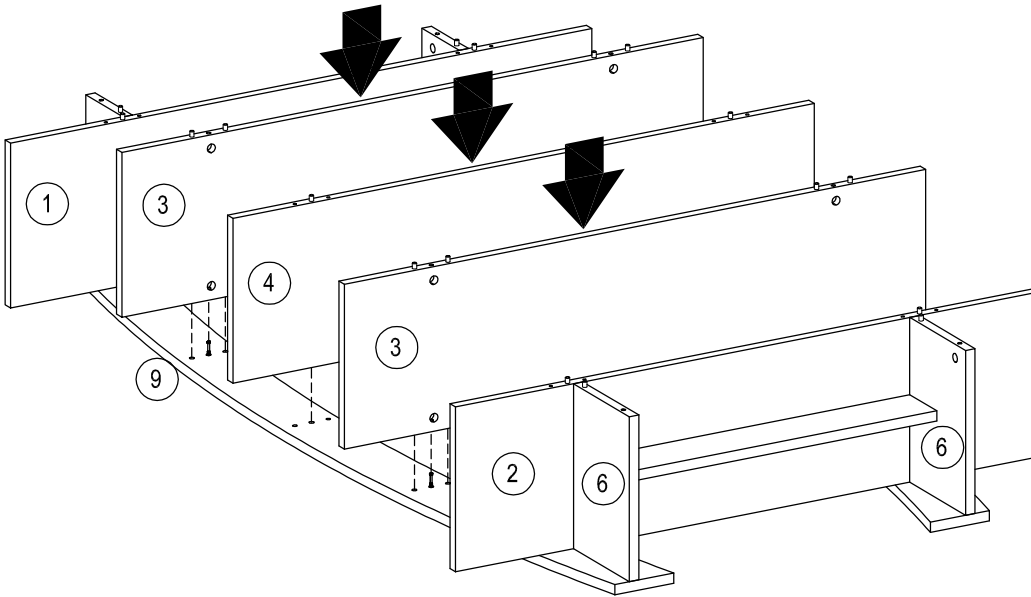


# 9

C

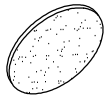


x 4



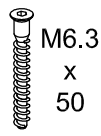
# 10

C



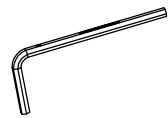
x 8

G

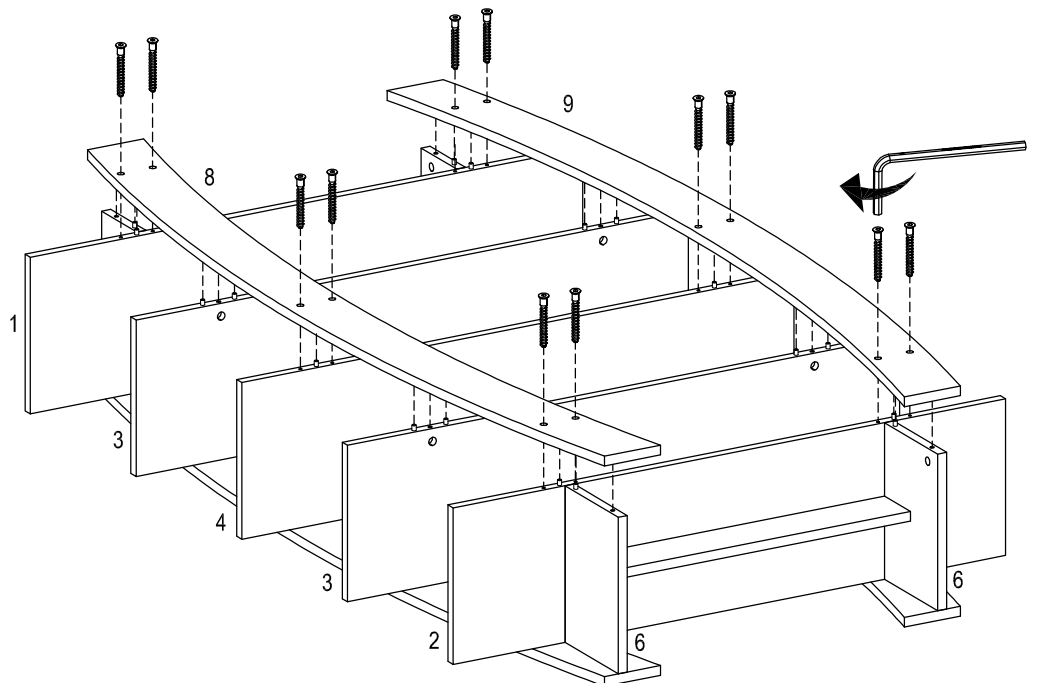
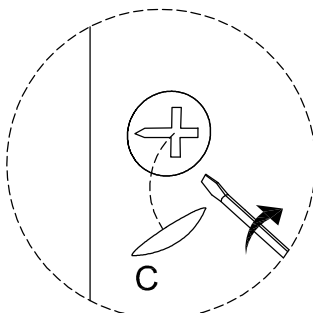
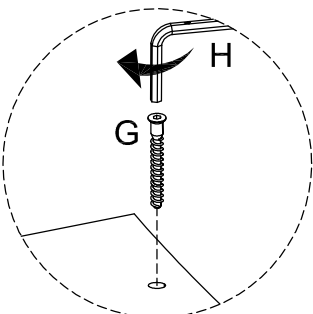


x 12

H

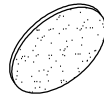


x 1

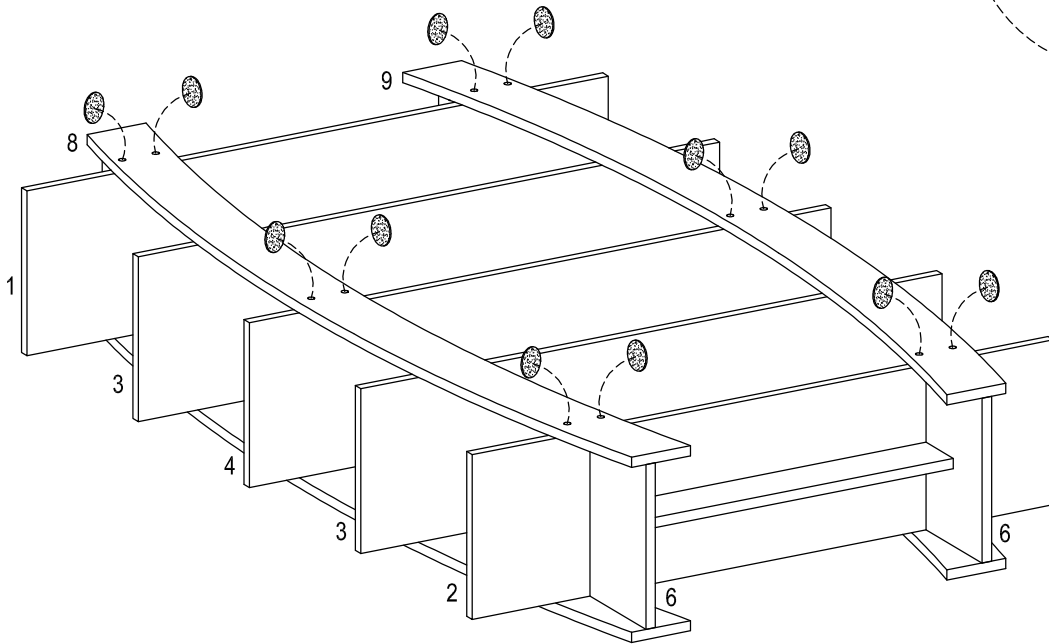
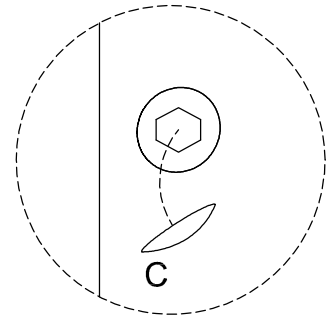


# 11

C



x 12



# 12

E



x 2

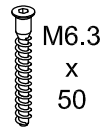
F



M3  
x  
12

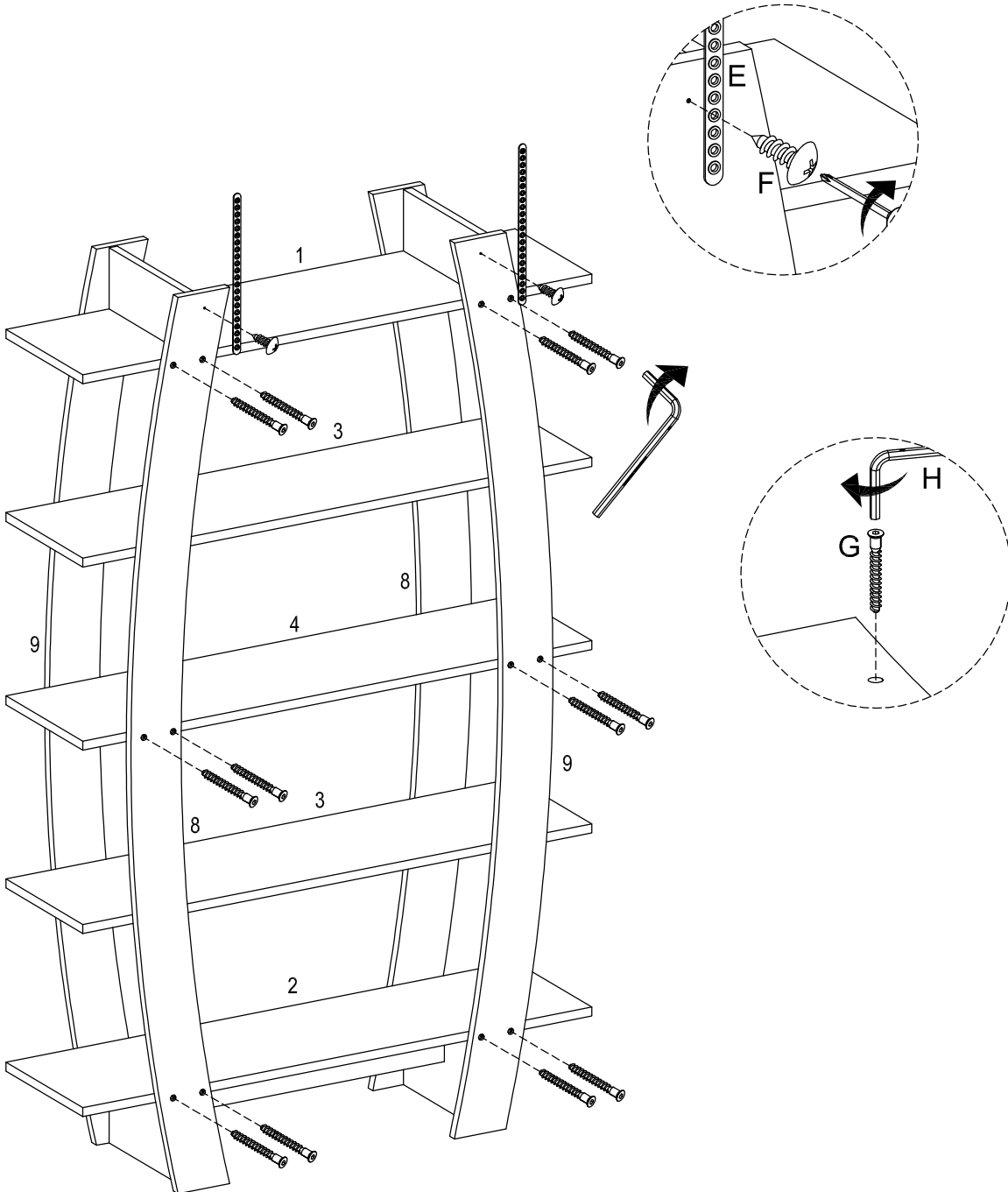
x 2

G



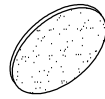
M6.3  
x  
50

x 12

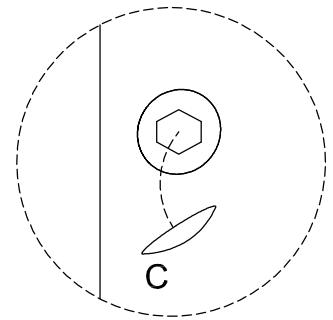
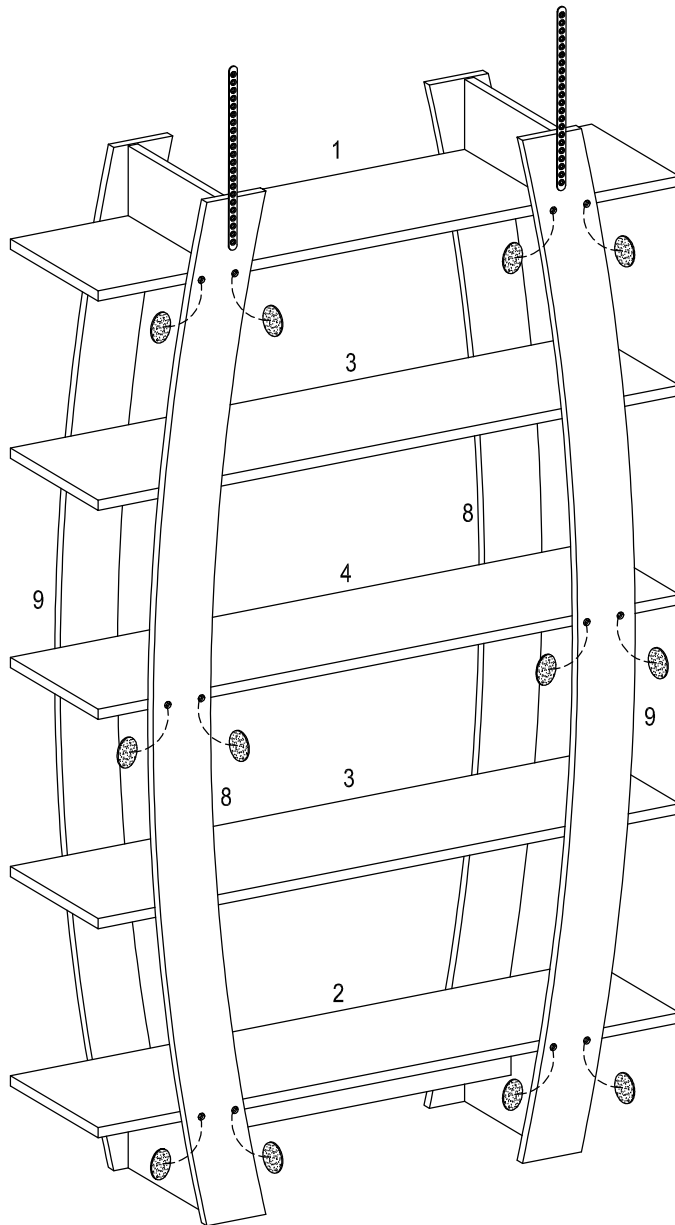


13

C



x 12



# 14



x 2

J



M8  
x  
38  
x 2

