

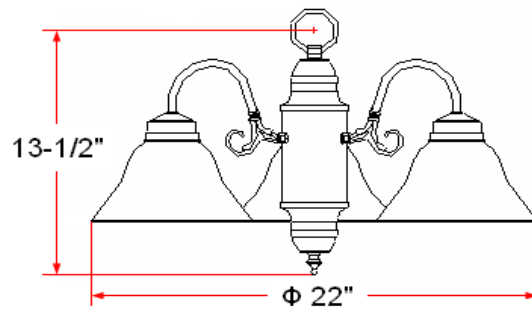
(Satin Nickel) 3 LT Chandelier

Specifications

Material Construction:	Formed Steel
Lens:	Alabaster glass
Lamp Type & Wattage:	Three 60W, medium base incandescent lamps
Mounting:	Ceiling mounted
Finish:	Satin Nickel (US15)
Voltage:	120V
Weight:	6.3 lbs
Companion Fixtures:	Chandeliers, wall sconce, wall mounts, pendants & ceiling mounts



Dimensions



Warranty & Compliances

Warranty	10 Year Limited Warranty
UL	UL/cUL listed; Suitable for dry locations
ADA	N/A
EnergyStar	N/A



Companion Fixtures

3 LT Chandelier

1 LT Wall Sconce

1 LT Wall Mount

2 LT Wall Mount

1 LT Ceiling Mount (6^{3/4}" x 6")

1 LT Ceiling Mount (5" x 7^{5/8}"

2 LT Ceiling Mount (5" x 9^{1/2}"

2 LT Ceiling Mount (5^{7/8}" x 13^{1/4}"

5 LT Chandelier

Pendant

Mini Pendant