



**MANUFACTURED BY:**  
**Backyard Discovery**  
3305 Airport Drive, Pittsburg, KS 66762  
800-856-4445

Basepoint Business Centre: Rivermead Drive, Westlea, Swindon SN5 7EX Phone: 0800-118-2476  
J.P. Coenstraat 7, The Bridge, The Hague, 2595 WP, Netherlands

# SKYFORT II

## Swing Set

### Model # 2200111, 2400030



**WARNING**  
**Adult Assembly Required.**  
*Not suitable for children under 36 months due to small parts.*  
**FOR DOMESTIC USE ONLY. INTENDED FOR OUTDOOR USE.**



**Please visit [www.backyarddiscovery.com](http://www.backyarddiscovery.com)**

For the most up to date assembly manual, to register your set, or to order replacement parts  
*Para obtener instrucciones en español, visite [www.backyarddiscovery.com](http://www.backyarddiscovery.com)*

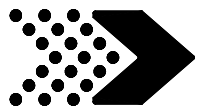


**EASY STEP-BY-STEP**  
**3D INTERACTIVE INSTRUCTIONS**  
DOWNLOAD THE FREE APP



*Made in China*

INS-2200111, 2400030-A-SKYFORT II-ENG 10-25-23



Place the set on level ground, not less than 6'-7" [2 m] from any structure or obstruction such as a fence, garage, house, overhanging branches, laundry lines, or electrical wires.

- While assembling unit, take time before and after each phase to make sure fort is level. If fort is not level, assembly will be difficult and improper assembly may result. Extra care must be taken to insure the fort is square.
- The safe play area refers to a zone extending 6'-7" (2 m) beyond the play product on all sides, including the space above the play product.

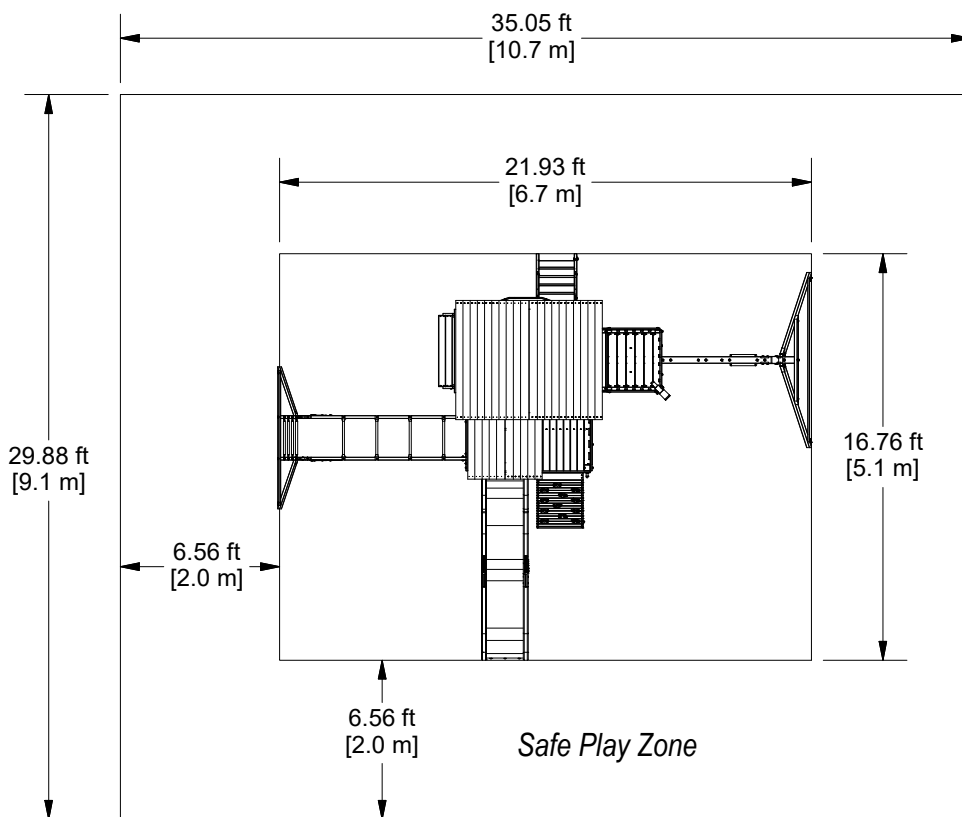
## SAFE PLAY AREA DIAGRAM

### Ground Dimension

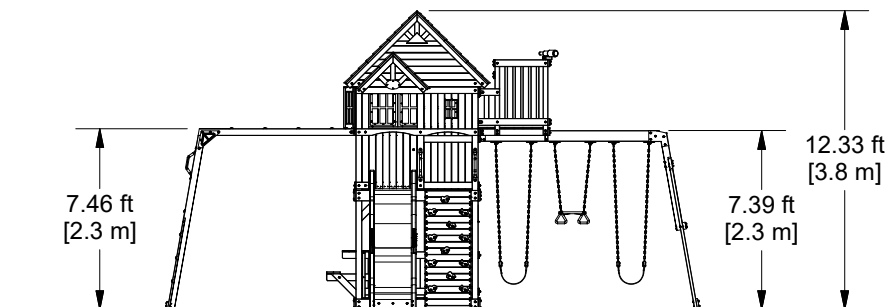
21.93 ft [6.7 m] x 16.76 ft [5.1 m]

### Safe Play Area

35.05 ft [10.7 m] x 29.88 ft [9.1 m]



**SAFE PLAY HEIGHT: 18.37 ft [5.6 m]**  
**MAXIMUM FALL HEIGHT: 7.46 ft [2.3 m]**



### General Information:

Your set has been designed and engineered for children only and for residential use only.  
 A maximum of 150 lbs. per child is recommended for play activities designed for individual use.  
 A maximum of 120 lbs. per child is recommended for play activities designed for multiple child use.  
 A maximum of 9 children is recommended for this swing set.



Wood Components (Not to Scale)



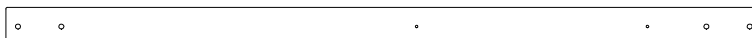
**A1 | SWING BEAM - W4L15890**  
(1) | 3 3/8"x5 1/4"x89 1/2" (86x134x2274)



**B1 | TOWER LEG - W2A03355**  
(1) | 3"x3"x89 1/2" (76x76x2274)



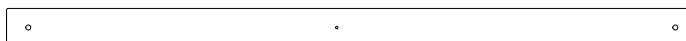
**B2 | TOWER LEG - W4L04561**  
(1) | 3"x3"x89 1/2" (76x76x2274)



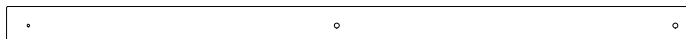
**B3 | TOWER LEG - W4L04564**  
(1) | 3"x3"x59" (76x76x1500)



**B4 | TOWER LEG - W4L04568**  
(1) | 3"x3"x59" (76x76x1500)



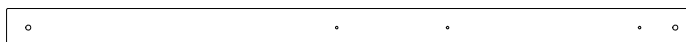
**B5 | BACK LEFT CLUB HOUSE CORNER - W4L04612**  
(1) | 3"x3"x53 7/8" (76x76x1370)



**B6 | FRONT LEFT CLUB HOUSE CORNER - W4L04615**  
(1) | 3"x3"x53 7/8" (76x76x1370)



**B7 | FRONT RIGHT FORT CORNER - W4L15897**  
(1) | 3"x3"x53 7/8" (76x76x1370)



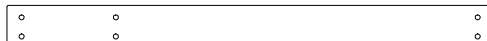
**B8 | BACK RIGHT FORT CORNER - W4L15898**  
(1) | 3"x3"x53 7/8" (76x76x1370)



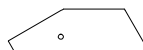
**E1 | TOWER LEG - W4L04563**  
(1) | 1 3/8"x3 3/8"x59" (36x86x1500)



**E2 | TOWER LEG - W4L04567**  
(1) | 1 3/8"x3 3/8"x59" (36x86x1500)



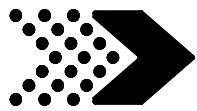
**E03 | CROWS NEST FLOOR RAIL - W4L15901**  
(2) | 1 3/8"x3 3/8"x38" (36x86x964)



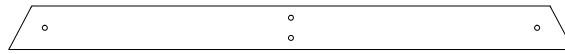
**E8 | CROWS NEST DECK BRACE - W4L15902**  
(2) | 1 7/16"x3 3/8"x10 7/8" (36x86x276)



**E6 | DECK BRACE - W4L15942**  
(8) | 1 7/16"x3 3/8"x20" (36x86x508)



Wood Components (Not to Scale)



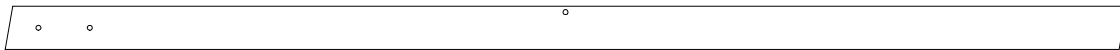
**E50 | END SUPPORT - W4L15893**  
(1) | 1 3/8"x3 3/8"x44 1/8" (36x86x1120)



**E7 | ANGLE BRACE - W4L15892**  
(2) | 1 3/8"x3 3/8"x87 1/8" (36x86x2212)



**E4 | MONKEY BAR RAIL - W4L15936**  
(2) | 1 3/8"x3 3/8"x77 1/8" (36x86x1959)



**E5 | MONKEY BAR UPRIGHT - W4L15937**  
(2) | 1 3/8"x3 3/8"x87 5/8" (36x86x2226)



**E72 | ROCKWALL RAIL - W4L15923**  
(2) | 1 3/8"x3 3/8"x64 5/8" (36x86x1640)



**E77 | LEFT UPRIGHT - W4L15932**  
(1) | 1 3/8"x3 3/8"x64 3/8" (36x86x1634)



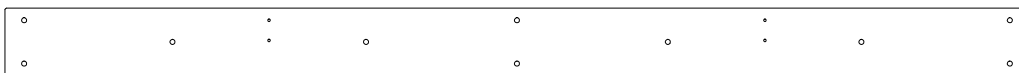
**E78 | RIGHT UPRIGHT - W4L15933**  
(1) | 1 3/8"x3 3/8"x64 3/8" (36x86x1634)



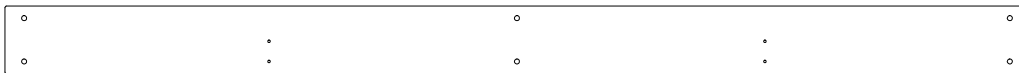
**F02 | CROWS NEST WALL SUPPORT - W4L15908**  
(2) | 1 3/8"x2 3/8"x37 1/2" (36x60x952)



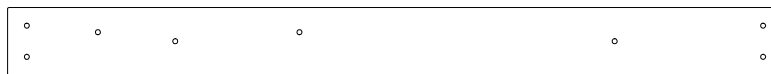
**F03 | CROWS NEST WALL SUPPORT - W4L15909**  
(2) | 1 3/8"x2 3/8"x37 1/2" (36x60x952)



**G1 | TOP FLOOR RAIL - W4L04566**  
(1) | 1"x5 1/4"x80" (24x134x2032)



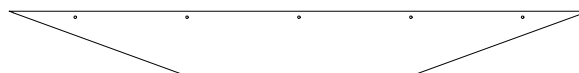
**G2 | TOP FLOOR RAIL - W4L04569**  
(1) | 1"x5 1/4"x80" (24x134x2032)



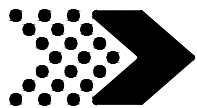
**G3 | FLOOR RAIL - W4L04571**  
(1) | 1"x5 1/4"x60 1/2" (24x134x1537)



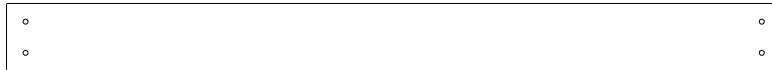
**G4 | FLOOR RAIL - W4L04675**  
(1) | 1"x5 1/4"x60 1/2" (24x134x1537)



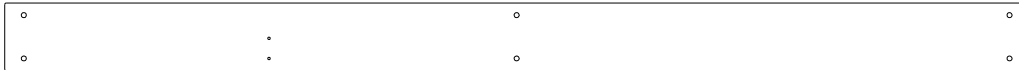
**G5 | BAY WINDOW HEADER - W4L04659**  
(4) | 1"x5 1/4"x45 1/4" (24x134x1150)



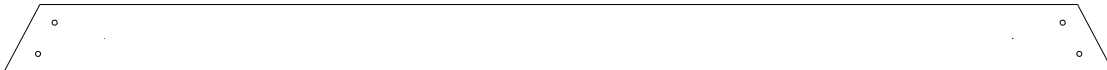
Wood Components (Not to Scale)



**G6 | FLOOR RAIL - W4L11777**  
(1) | 1"x5 1/4"x60 1/2" (24x134x1537)



**G7 | BOTTOM FLOOR RAIL - W4L11775**  
(2) | 1"x5 1/4"x80" (24x134x2032)



**G08 | GROUND BOARD - W4L15894**  
(1) | 1"x5 1/4"x86 3/4" (24x134x2202)



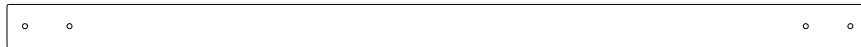
**H1 | WALL RAIL - W4L04620**  
(1) | 1"x3 3/8"x80" (24x86x2032)



**H2 | WALL RAIL - W4L15900**  
(1) | 1"x3 3/8"x80" (24x86x2032)



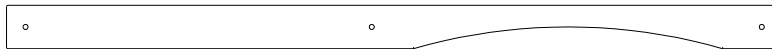
**H3 | PICNIC TABLE RAIL - W4L04578**  
(1) | 1"x3 3/8"x67 1/4" (24x86x1708)



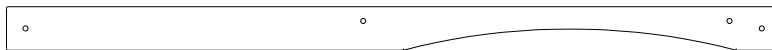
**H4 | ROOF SUPPORT RAIL - W4L04623**  
(2) | 1"x3 3/8"x67 1/4" (24x86x1709)



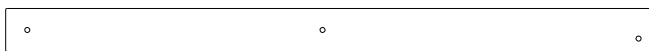
**H5 | FLOOR RAIL - W4L04608**  
(1) | 1"x3 3/8"x60 1/2" (24x86x1537)



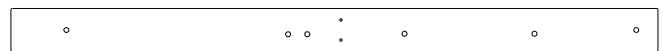
**H6 | BACK CLUB HOUSE RAIL - W4L04621**  
(1) | 1"x3 3/8"x60 1/2" (24x86x1537)



**H7 | FRONT CLUB HOUSE WALL RAIL - W4L04625**  
(1) | 1"x3 3/8"x60 1/2" (24x86x1537)



**H8 | FORT UPRIGHT - W4L15899**  
(1) | 1"x3 3/8"x50 1/2" (24x86x1284)



**H9 | FORT WALL BOARD - W4L15916**  
(2) | 1"x3 3/8"x50 1/2" (24x86x1284)



**H10 | PORCH LEG - W4L04683**  
(1) | 1"x3 3/8"x50 1/2" (24x86x1282)



**H11 | PORCH LEG - W4L04610**  
(1) | 1"x3 3/8"x50 1/2" (24x86x1282)



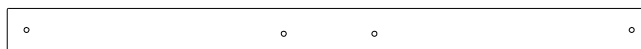
Wood Components (Not to Scale)



**H12** | ROOF RAFTER - W4L04640  
(4) | 1"x3 3/8"x50 3/8" (24x86x1278)



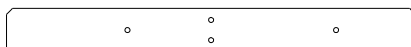
**H13** | CLUB HOUSE WALL RAIL - W4L04624  
(1) | 1"x3 3/8"x50 1/4" (24x86x1277)



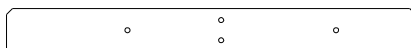
**H14** | SWING BEAM MOUNT - W4L15895  
(1) | 1"x3 3/8"x50 1/4" (24x86x1277)



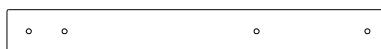
**H15** | PICNIC TABLE SEAT - W4L04600  
(4) | 1"x3 3/8"x35 3/8" (24x86x897)



**H16** | PICNIC TABLE SEAT RAIL - W4L04597  
(1) | 1"x3 3/8"x32" (24x86x812)



**H17** | PICNIC TABLE SEAT RAIL - W4L04599  
(1) | 1"x3 3/8"x32" (24x86x812)



**H18** | CLUB HOUSE WALL RAIL - W4L04616  
(1) | 1"x3 3/8"x29 7/8" (24x86x758)



**H19** | CROWS NEST FLOOR RAIL - W4L15903  
(1) | 1"x3 3/8"x27" (24x86x686)



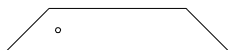
**H20** | PORCH ROOF RAFTER - W4L04655  
(4) | 1"x3 3/8"x24 1/2" (24x86x622)



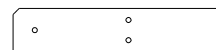
**H21** | CROWS NEST FLOOR SUPPORT - W4L15904  
(1) | 1"x3 3/8"x24 1/8" (24x86x614)



**H22** | MONKEY BAR BRACE - W4L15934  
(2) | 1"x3 3/8"x53 1/4" (24x86x1352)



**H23** | PICNIC TABLE BRACE - W4L04598  
(2) | 1"x3 3/8"x17 1/2" (24x86x444)



**H24** | PICNIC TABLE TOP SUPPORT - W4L04601  
(1) | 1"x3 3/8"x16 1/2" (24x86x418)



**H25** | TOP FLOOR SUPPORT - W4L04606  
(2) | 1"x3 3/8"x3" (24x86x76)



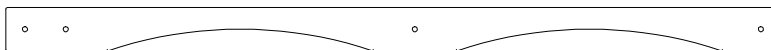
**H26** | FLOOR JOIST - W4L04573  
(3) | 1"x3 3/8"x60 1/2" (24x86x1537)



Wood Components (Not to Scale)



**H27** | PICNIC TABLE SUPPORT - W4L04574  
(1) | 1"x3 3/8"x28 5/8" (24x86x728)



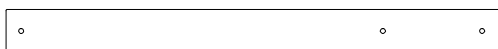
**H28** | FRONT WALL RAIL - W4L11774  
(1) | 1"x3 3/8"x60 1/2" (24x86x1537)



**H29** | CROWS NEST WALL RAIL - W4L15910  
(2) | 1"x3 3/8"x30 5/8" (24x86x778)



**H30** | CROWS NEST WALL RAIL - W4L11782  
(2) | 1"x3 3/8"x29 7/8" (24x86x758)



**H31** | CROWS NEST WALL RAIL - W4L15907  
(2) | 1"x3 3/8"x38 7/8" (24x86x988)



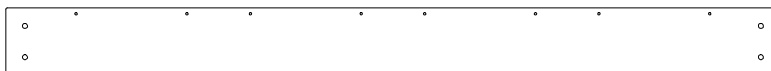
**H32** | MONKEY BAR GROUND BOARD - W4L15935  
(1) | 1"x3 3/8"x70 3/8" (24x86x1786)



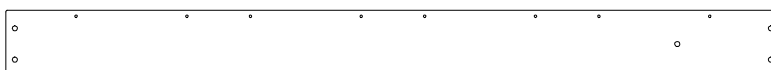
**H76** | LADDER RUNG - W4L15931  
(5) | 1"x3 3/8"x18 1/8" (24x86x460)



**H77** | ATTACHMENT BOARD - W4L15929  
(1) | 1"x3 3/8"x20 1/8" (24x86x512)



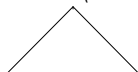
**K2** | FLOOR RAIL - W4L04570  
(1) | 5/8"x5 1/4"x60 1/2" (16x134x1537)



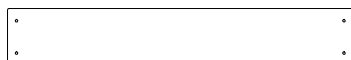
**K3** | FLOOR RAIL - W4L04572  
(1) | 5/8"x5 1/4"x60 1/2" (16x134x1537)



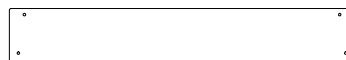
**K5** | CLUB HOUSE WALL RAIL - W4L04626  
(1) | 5/8"x5 1/4"x50 1/4" (16x134x1277)



**K6** | TRIANGLE SUNBURST - W4L04827  
(2) | 5/8"x5 1/4"x10 3/8" (16x134x265)



**L01** | CROWS NEST FLOOR BOARD - W4L15905  
(7) | 5/8"x4 3/8"x27" (16x112x686)



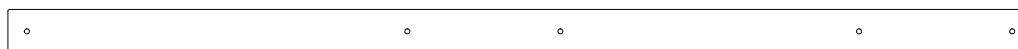
**L03** | CROWS NEST FLOOR BOARD - W4L15906  
(2) | 5/8"x4 3/8"x27" (16x112x686)



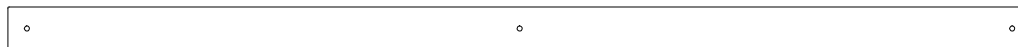
**L2** | SAND BOX SEAT - W4L11776  
(2) | 5/8"x4 3/8"x24" (16x112x610)



Wood Components (Not to Scale)



**M1 | TOP WALL RAIL - W4L04619**  
(1) | 5/8"x3 3/8"x80" (16x86x2032)



**M2 | BOTTOM WALL RAIL - W4L04596**  
(2) | 5/8"x3 3/8"x80" (16x86x2032)



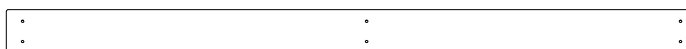
**M3 | BOTTOM WALL RAIL - W4L04579**  
(1) | 5/8"x3 3/8"x60 1/2" (16x86x1537)



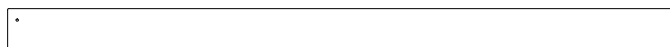
**M4 | CROWS NEST WALL RAIL - W4L11773**  
(2) | 5/8"x3 3/8"x29 7/8" (16x86x758)



**M5 | GABLE BOARD - W4L04641**  
(2) | 5/8"x3 3/8"x59 1/2" (16x86x1510)



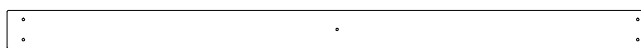
**M6 | CLUB HOUSE WALL BOARD - W4L04635**  
(1) | 5/8"x3 3/8"x53 7/8" (16x86x1370)



**M7 | GABLE BOARD - W4L04642**  
(2) | 5/8"x3 3/8"x52 5/8" (16x86x1338)



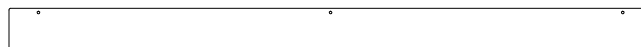
**M8 | FORT WALL BOARD - W4L15914**  
(7) | 5/8"x3 3/8"x50 1/2" (16x86x1284)



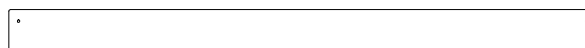
**M9 | FORT WALL BOARD - W4L15915**  
(2) | 5/8"x3"x50 1/2" (16x76x1284)



**M10 | CLUB HOUSE WALL RAIL - W4L04614**  
(1) | 5/8"x3 3/8"x50 1/4" (16x86x1277)



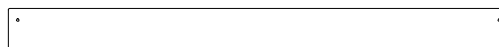
**M11 | SOFFIT CAP - W4L04653**  
(1) | 5/8"x3 3/8"x50 1/4" (16x86x1277)



**M12 | GABLE BOARD - W4L04650**  
(1) | 5/8"x3 3/8"x45 7/8" (16x86x1166)



**M13 | PICNIC TABLE TOP - W4L04602**  
(4) | 5/8"x3 3/8"x41 1/4" (16x86x1049)



**M14 | GABLE BOARD - W4L04651**  
(1) | 5/8"x3 3/8"x39 1/8" (16x86x994)



**M15 | WALL BOARD - W4L15943**  
(4) | 5/8"x3 3/8"x29 7/8" (16x86x758)



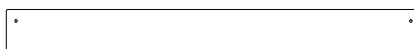
**M16 | CENTER PICNIC TABLE TOP - W4L04603**  
(1) | 5/8"x3"x38 1/4" (16x76x973)



Wood Components (Not to Scale)



**M17** | FRONT WINDOW WALL BOARD - W4L15920  
(2) | 5/8"x3 3/8"x35" (16x86x889)



**M18** | GABLE BOARD - W4L04652  
(1) | 5/8"x3 3/8"x32 3/8" (16x86x822)



**M19** | FRONT PORCH ROOF SUPPORT - W4L04658  
(1) | 5/8"x3 3/8"x30 5/8" (16x86x779)



**M21** | CLUB HOUSE WALL RAIL - W4L04613  
(3) | 5/8"x3 3/8"x30 1/4" (16x86x768)



**M22** | FORT WALL BOARD - W4L15917  
(4) | 5/8"x3 3/8"x29 7/8" (16x86x758)



**M23** | FORT WALL BOARD - W4L15918  
(2) | 5/8"x3 1/8"x29 7/8" (16x80x758)



**M24** | WALL BOARD - W4L04632  
(19) | 5/8"x3 3/8"x29 7/8" (16x86x758)



**M26** | WALL BOARD - W4L04636  
(2) | 5/8"x3 3/8"x26 1/8" (16x86x664)



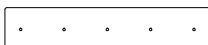
**M27** | BOTTOM WALL BOARD - W4L15944  
(18) | 5/8"x3 3/8"x21 3/8" (16x86x544)



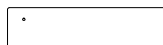
**M28** | GABLE WINDOW BOARD - W4L04647  
(2) | 5/8"x3 3/8"x19 1/2" (16x86x496)



**M29** | GABLE WINDOW BOARD - W4L04643  
(2) | 5/8"x3 3/8"x16 1/8" (16x86x410)



**M30** | PICNIC TABLE TOP CLEAT - W4L04604  
(1) | 5/8"x3 3/8"x16" (16x86x406)



**M31** | GABLE WINDOW BOARD - W4L04644  
(2) | 5/8"x3 3/8"x12 3/4" (16x86x324)



Wood Components (Not to Scale)



**M32** | CROWS NEST WALL RAIL - W4L04671  
(2) | 5/8"x3 3/8"x10" (16x86x254)



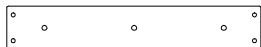
**M33** | FRONT WINDOW WALL BOARD - W4L15921  
(2) | 5/8"x3 3/8"x6 3/8" (16x86x162)



**M34** | WALL RAIL - W4L04611  
(1) | 5/8"x3 3/8"x6 3/8" (16x86x162)



**M61** | ATTACHMENT BOARD - W4L15924  
(1) | 5/8"x3 3/8"x22 7/8" (16x86x580)



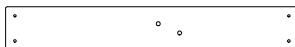
**M70** | SLIDE BED SUPPORT - W100935  
(1) | 5/8"x3 3/8"x19 7/8" (16x86x505)



**M73** | REAR SUPPORT - W4L15930  
(1) | 5/8"x3 3/8"x20 1/8" (16x86x512)



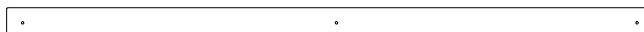
**M74** | ROCK WALL BOARD - W4L15927  
(10) | 5/8"x3 3/8"x22 7/8" (16x86x580)



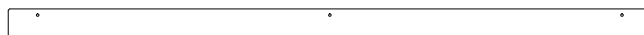
**M75** | ROCK WALL BOARD - W4L15926  
(4) | 5/8"x3 3/8"x22 7/8" (16x86x580)



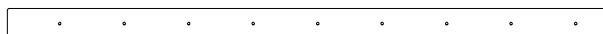
**M76** | ROCK WALL BOARD - W4L15922  
(4) | 5/8"x3 3/8"x22 7/8" (16x86x580)



**N1** | FORT WALL BOARD - W4L15913  
(2) | 5/8"x2 3/8"x50 1/2" (16x60x1284)



**N2** | SOFFIT CAP - W4L04654  
(1) | 5/8"x2 3/8"x50 1/4" (16x60x1277)



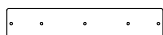
**N3** | ROOF SUPPORT - W103535  
(2) | 5/8"x2 3/8"x47" (16x60x1193)



**N04** | CROWS NEST WALL BOARD - W4L15912  
(2) | 5/8"x2 3/8"x18 1/8" (16x60x461)



**N5** | FRONT PORCH GABLE TRIM - W4L04656  
(1) | 5/8"x2 3/8"x15" (16x60x381)



**N6** | WINDOW TRIM - W4L04646  
(2) | 5/8"x2 3/8"x12 1/4" (16x60x310)



Wood Components (Not to Scale)



**N7 | GABLE TRIM - W4L04648**  
(2) | 5/8"x2 3/8"x11 1/2" (16x60x292)



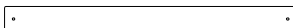
**N8 | FRONT PORCH GABLE TRIM - W4L04657**  
(2) | 5/8"x2 3/8"x9 1/2" (16x60x241)



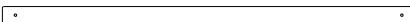
**N9 | GABLE TRIM - W4L04649**  
(4) | 5/8"x2 3/8"x6 1/2" (16x60x165)



**N10 | GABLE BOARD - W4L04645**  
(2) | 5/8"x2 3/8"x27 5/8" (16x60x702)



**N11 | ROCK WALL BOARD - W4L15928**  
(1) | 5/8"x2"x22 7/8" (16x50x580)



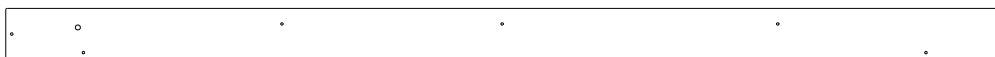
**O1 | CROWS NEST WALL BOARD - W4L15911**  
(18) | 5/8"x1 3/8"x32 1/4" (16x34x819)



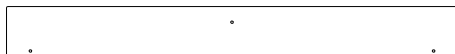
**O2 | SAFETY BOARD - W4L04605**  
(1) | 5/8"x1 3/8"x28 5/8" (16x34x726)



**SP1 | SWING BEAM SUPPORT - W4L15891**  
(1) | 3 3/8"x3 3/8"x48 3/8" (86x86x1229)



**Y1 | TOP FLOOR BOARD - W4L15964**  
(2) | 5/8"x4"x78" (16x102x1980)



**Y2 | BOTTOM FLOOR BOARD - W4L04577**  
(2) | 5/8"x4"x35 1/4" (16x102x895)



**Y3 | ROCK WALL END BOARD - W4L15925**  
(1) | 5/8"x3 5/8"x22 7/8" (16x92x580)



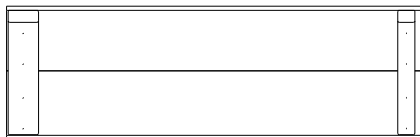
**FP1 | BOTTOM FLOOR PANEL - W2A01485**  
(4) | 1 5/8"x13 1/2"x35 3/8" (40x344x897)



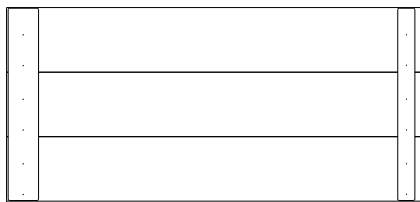
**FP2 | FLOOR PANEL - W2A03345**  
(4) | 1 1/4"x13 1/2"x81 7/8" (32x344x2080)



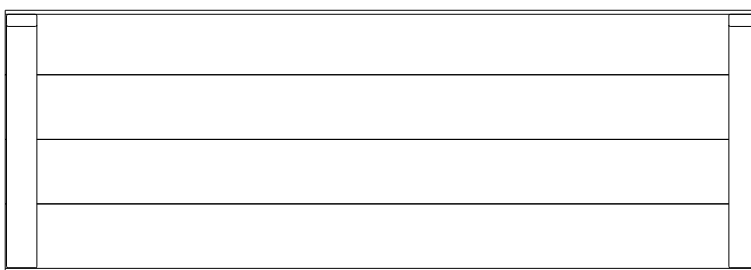
Wood Components (Not to Scale)



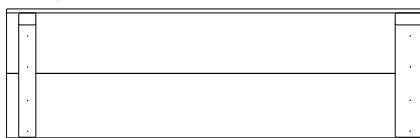
**RP1** | LEFT PORCH PEAK ROOF PANEL - W2A02630  
(1) | 1 5/8"x10 1/2"x32 7/8" (42x268x834)



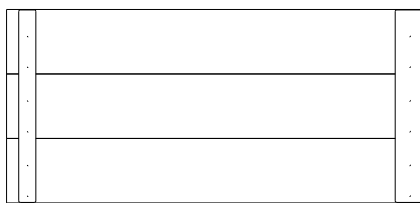
**RP2** | LEFT PORCH ROOF PANEL - W2A02628  
(1) | 1 5/8"x15 5/8"x32 7/8" (42x396x834)



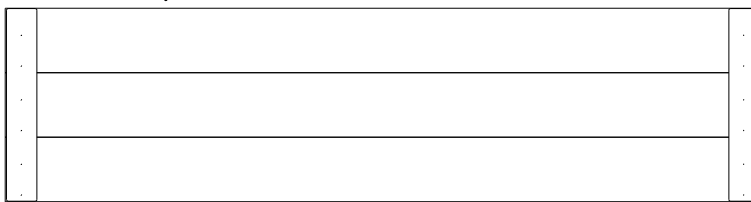
**RP3** | PEAK ROOF PANEL - W2A02626  
(2) | 1 5/8"x20 5/8"x59" (42x524x1499)



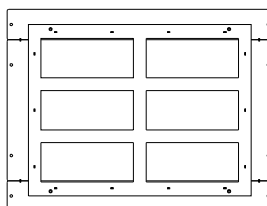
**RP4** | RIGHT PORCH PEAK ROOF PANEL - W2A02631  
(1) | 1 5/8"x10 1/2"x32 7/8" (42x268x834)



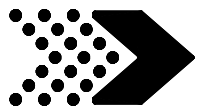
**RP5** | RIGHT PORCH ROOF PANEL - W2A02629  
(1) | 1 5/8"x15 5/8"x32 7/8" (42x396x834)



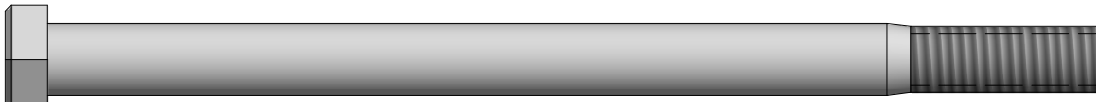
**RP6** | ROOF PANEL - W2A02627  
(4) | 1 5/8"x15 5/8"x59" (42x396x1499)



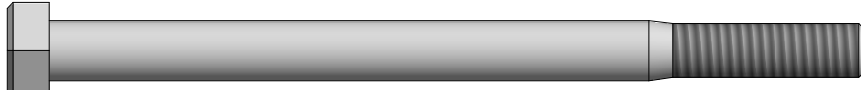
**WP1** | BAY WINDOW PANEL - W2A01496  
(6) | 7/8"x15 3/4"x20 3/4" (21x400x526)



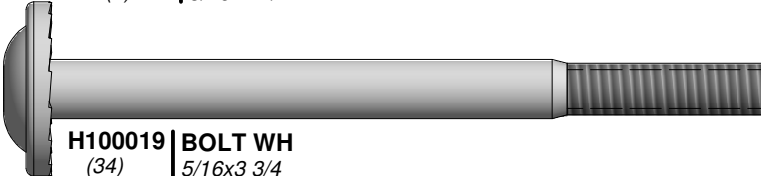
Hardware Components



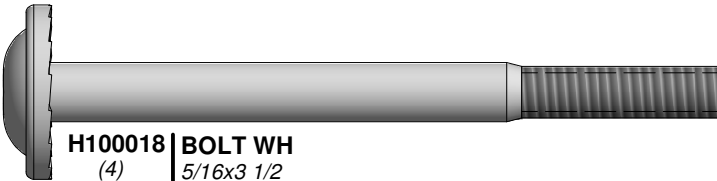
**H100654** | BOLT HEX  
(13) | 3/8x5-1/2



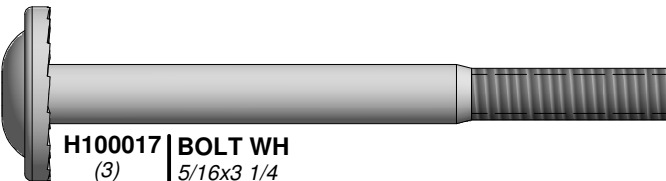
**H100054** | BOLT HEX  
(2) | 5/16x4 1/4



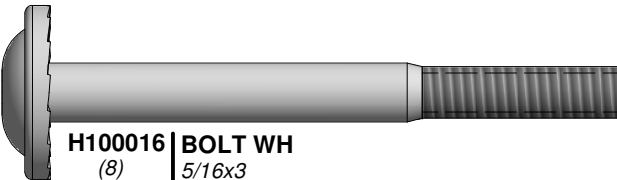
**H100019** | BOLT WH  
(34) | 5/16x3 3/4



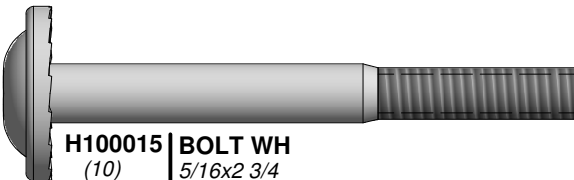
**H100018** | BOLT WH  
(4) | 5/16x3 1/2



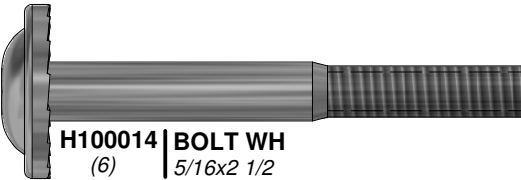
**H100017** | BOLT WH  
(3) | 5/16x3 1/4



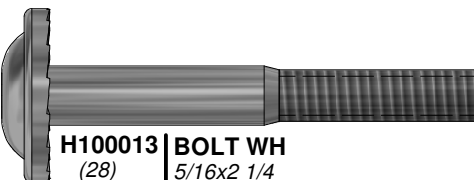
**H100016** | BOLT WH  
(8) | 5/16x3



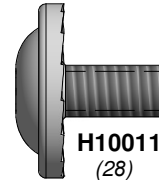
**H100015** | BOLT WH  
(10) | 5/16x2 3/4



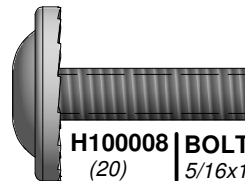
**H100014** | BOLT WH  
(6) | 5/16x2 1/2



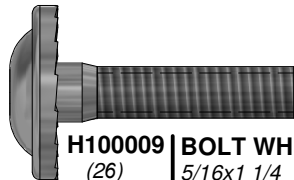
**H100013** | BOLT WH  
(28) | 5/16x2 1/4



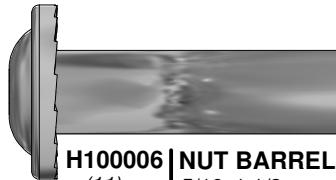
**H100115** | BOLT WH  
(28) | 5/16x1 1/2



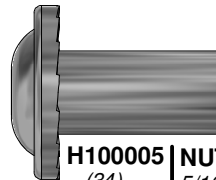
**H100008** | BOLT WH  
(20) | 5/16x1



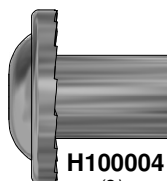
**H100009** | BOLT WH  
(26) | 5/16x1 1/4



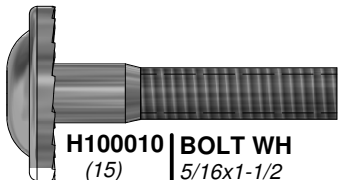
**H100006** | NUT BARREL WH  
(11) | 5/16x1 1/2



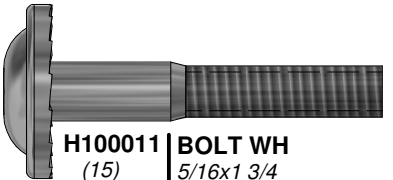
**H100005** | NUT BARREL WH  
(34) | 5/16x7/8



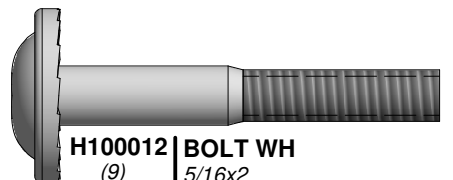
**H100004** | NUT BARREL WH  
(2) | 5/16 x 5/8



**H100010** | BOLT WH  
(15) | 5/16x1-1/2



**H100011** | BOLT WH  
(15) | 5/16x1 3/4

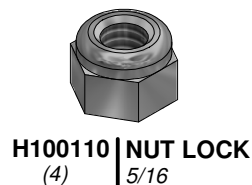
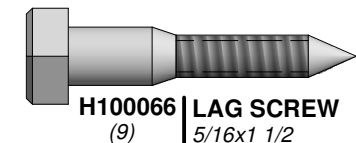
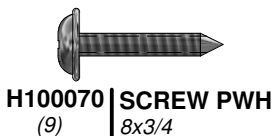
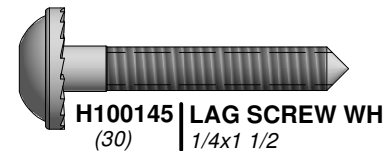
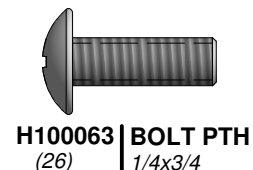
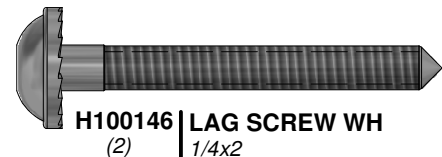
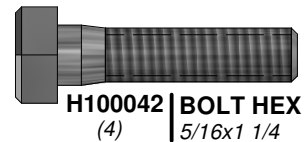
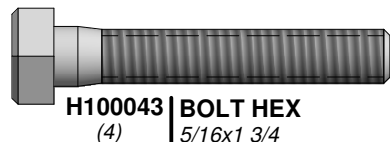
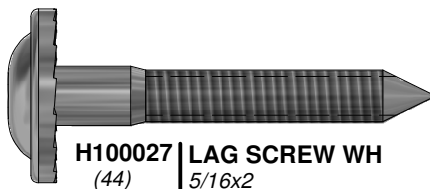
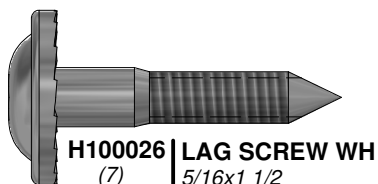
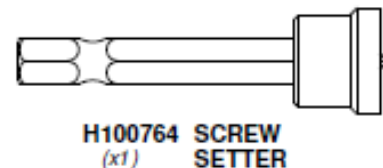
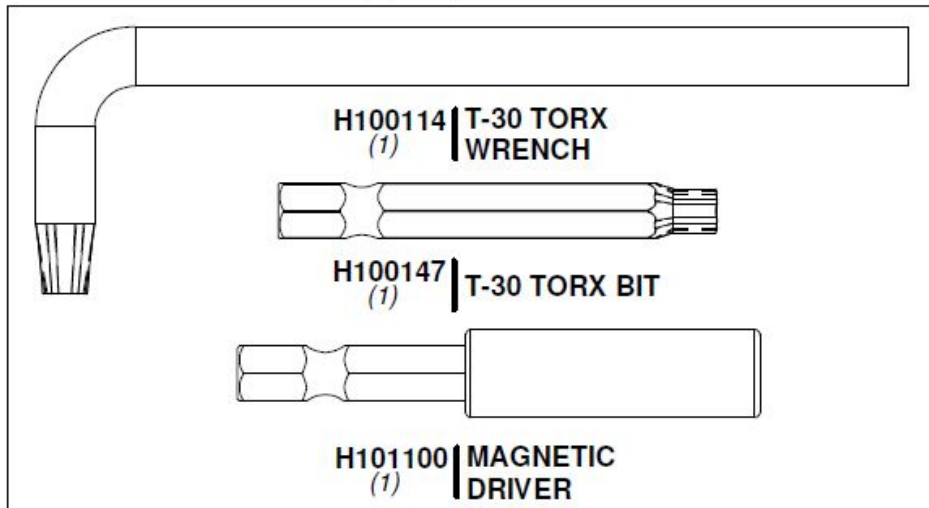


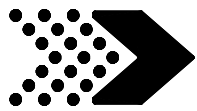
**H100012** | BOLT WH  
(9) | 5/16x2



Hardware Components

9220119 | TOOL KIT  
(1)





## Hardware Components



**H100090 | SCREW PFH**  
(51) | 8x2 1/2"



**H100091 | SCREW PFH**  
(35) | 8X2 1/4



**H100111 | SCREW PFH**  
(88) | 8x2



**H100089 | SCREW PFH**  
(4) | 8x1 3/4



**H100086 | SCREW PFH**  
(360) | 8x1 1/2



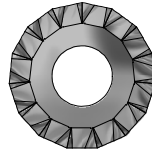
**H100087 | SCREW PFH**  
(4) | 8x1 1/4



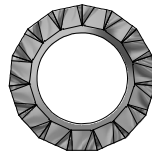
**H100088 | SCREW PFH**  
(401) | 8x1 1/8



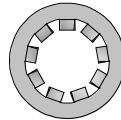
**H100085 | SCREW PFH**  
(9) | 8x1



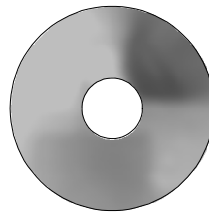
**H100030 | WASHER LOCK EXT**  
(187) | 8x19



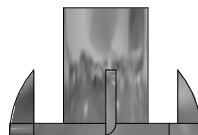
**H100031 | WASHER LOCK EXT**  
(34) | 12x19



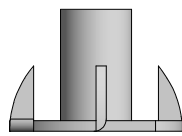
**H100108 | WASHER LOCK INT**  
(28) | 8x15



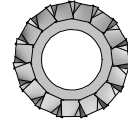
**H100105 | WASHER FLAT**  
(28) | 8x27



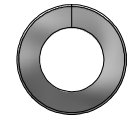
**H100073 | T-NUT**  
(13) | 3/8



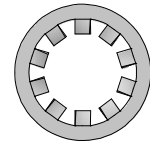
**H100074 | T-NUT**  
(152) | 5/16



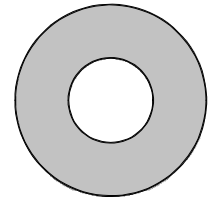
**H100138 | WASHER LOCK EXT**  
(13) | 6x15



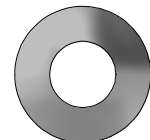
**H100095 | WASHER SPLIT**  
(22) | 5/16



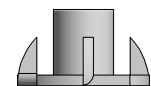
**H100107 | WASHER LOCK INT**  
(13) | 10x18



**H100102 | WASHER FLAT**  
(13) | 11x25



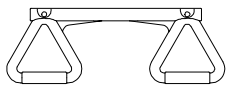
**H100106 | WASHER FLAT**  
(11) | 9x18



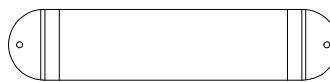
**H100072 | T-NUT**  
(26) | 1/4



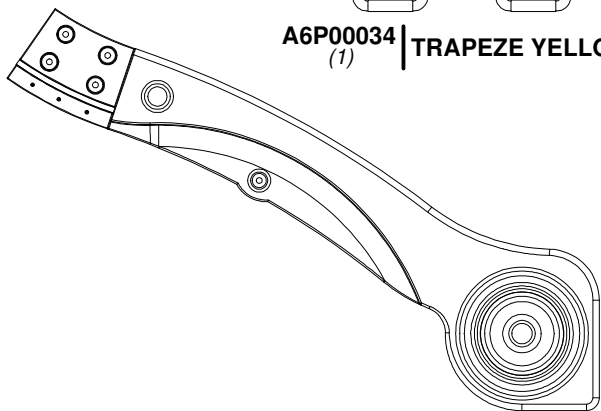
## Accessory Components (Not to Scale)



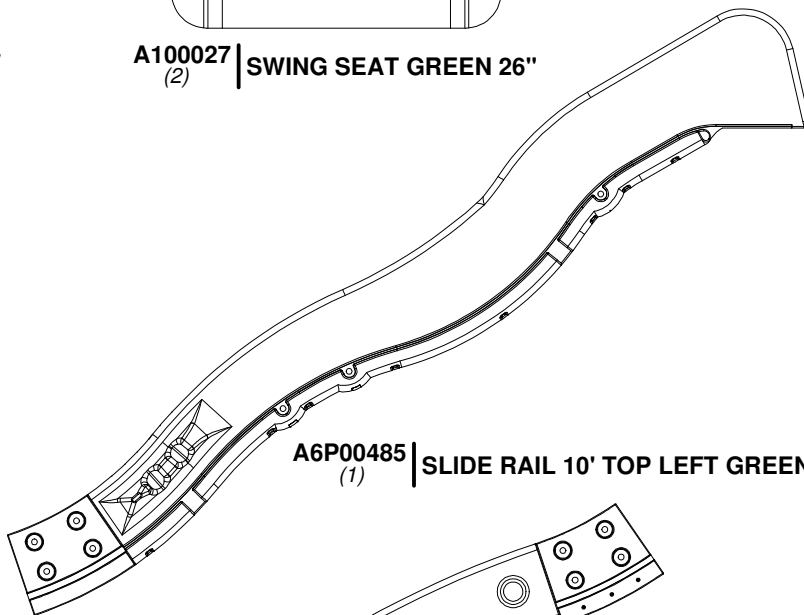
**A6P00034**  
(1) | **TRAPEZE YELLOW**



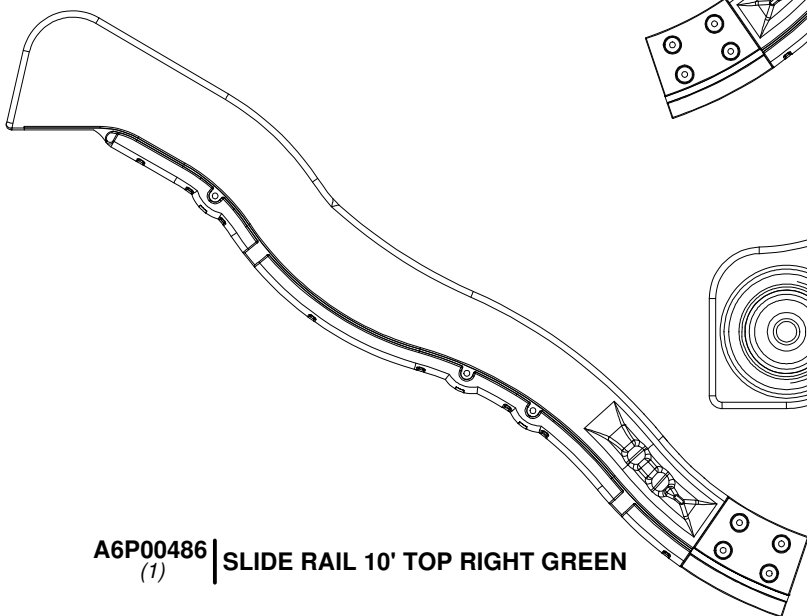
**A100027**  
(2) | **SWING SEAT GREEN 26"**



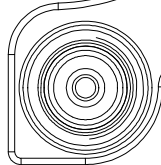
**A6P00483**  
(1) | **SLIDE RAIL 10' BOTTOM LEFT GREEN**



**A6P00485**  
(1) | **SLIDE RAIL 10' TOP LEFT GREEN**



**A6P00486**  
(1) | **SLIDE RAIL 10' TOP RIGHT GREEN**



**A6P00484**  
(1) | **SLIDE RAIL 10' BOTTOM RIGHT GREEN**



**A6P00036**  
(6) | **GREEN HC ROCK #1**



**A6P00037**  
(6) | **GREEN HC ROCK #2**

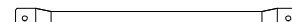
**A100035**  
(1) | **SLIDE BED 10' LIGHT GREEN**



**A6P00487-DNU**  
(4) | **SLIDE SUPPORT TUBE**



**A100164**  
(1) | **BYD ID TAG (LARGE) AGES 3-10**



**A100045**  
(8) | **METAL RUNG 559 GREEN**



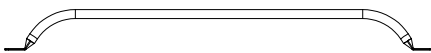
Accessory Components (Not to Scale)



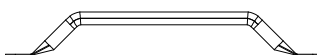
A100183 | ROPE-CHAIN GREEN 57"  
(4)



A100083 | ROPE-CHAIN GREEN 33"  
(2)



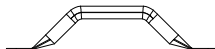
A100134 | HAND GRIP GREEN 816 C/C  
(2)



A100324 | LADDER RUNG 578 GREEN  
(2)



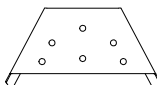
A100140 | L BRACKET 66x66x127  
(2)



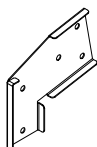
A100118 | HAND GRIP METAL GREEN 381 c/c  
(6)



A100069 | QUICK LINK  
(6)



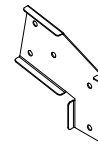
A4M01169 | A-FRAME BRACKET  
(1)



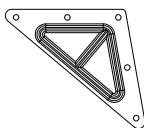
A100325 | SWING BEAM  
EXTENSION  
BRACKET-LEFT  
(1)



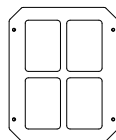
A100314 | "A" REVISION TAG  
(1)



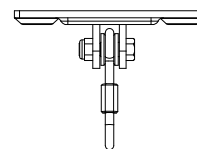
A100326 | SWING BEAM  
EXTENSION  
BRACKET-RIGHT  
(1)



A100294 | TRIANGLE  
PLATE 100° 5  
HOLE  
(2)



A100146 | WINDOW 216x267 GREEN  
(2)



A4M00505 | SWING HANGER  
(6)



A100396 | L BRACKET  
51x32x82x3.175  
(4)



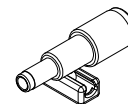
A100178 | AUGER GROUND STAKE  
(8)



A4M01046 | L BRACKET  
2.5x38x55x55  
(15)



A4M00527 | GROUND STAKE REBAR  
(2)



A6P00096 | TELESCOPE  
(1)

# PRE-ASSEMBLY STEP 1 - SORTING PARTS

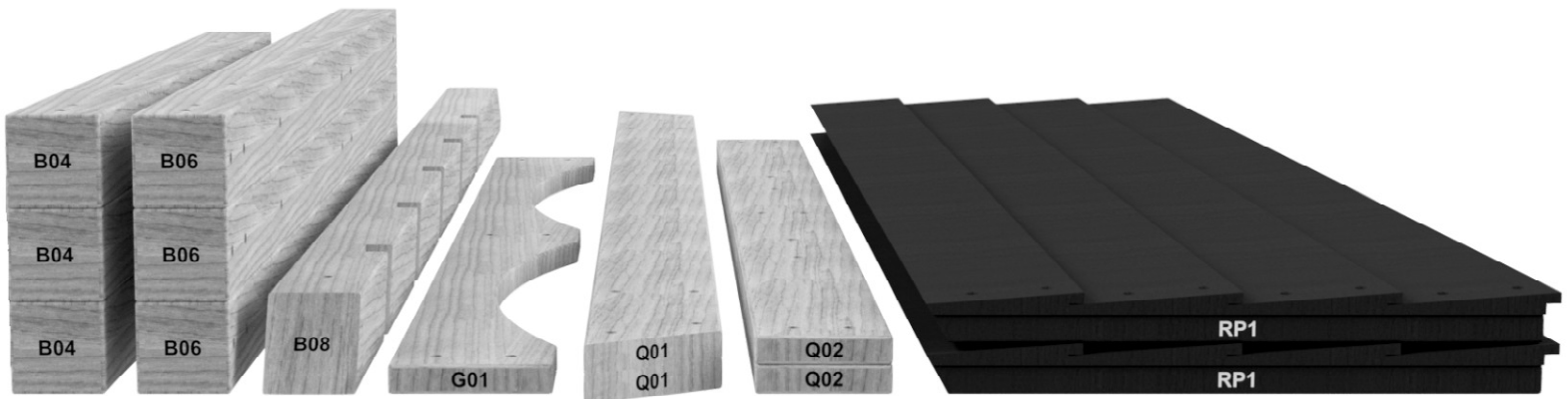
It is critical for ease of assembly that you take the time to sort and organize the wood and hardware.

---

## WOOD PARTS:

- Organize wood parts by the three-digit, alpha-numeric number stamped on each board (ex. P01).
- If there are multiple boards with the same stamped number, stack those pieces together.
- Stamps can be found on the flat surface of the boards or on the end of the boards.
- Allow yourself plenty of room - the wood pieces can take up a significant amount of space.

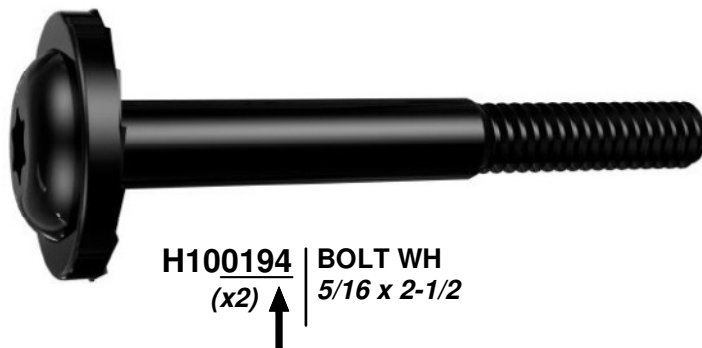
**NOTE: CARTONS ARE NOT ORGANIZED BY BOARD NUMBER.**



---

## HARDWARE PARTS:

- We recommend that you have a separate table to organize the hardware.
- Hardware bags are printed with a seven-digit, alpha-numeric part number.
- You can organize your hardware by part number or group by hardware type (i.e. bolts, nuts, etc.).
- During assembly you only need to reference the last four digits of the number.



# PRE-ASSEMBLY STEP 2 - TOOLS REQUIRED



**Cordless Drill or  
Electric Drill**



**Drill Attachments:  
Phillips Head**



**1/8", 3/16", 3/8" & 7/16"  
Drill Bits**



**Phillips Screw Driver**



**Open End Wrenches 1/2" & 9/16"**



**3/8" Drive Ratchet, 1/2" &  
9/16" STD Sockets 1/2" & 9/16" Deep  
Sockets**



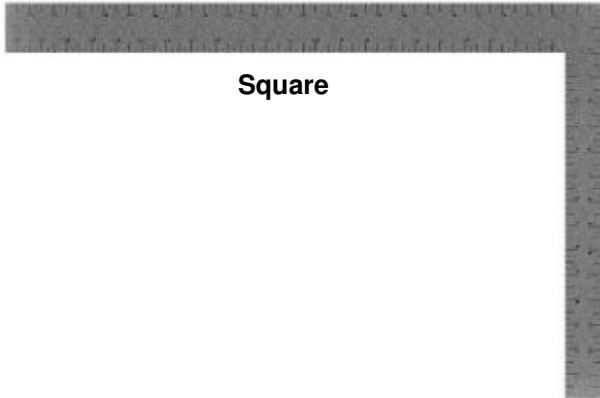
**Claw Hammer**



**Rubber Mallet - Optional**



**Tape Measure**



**Square**

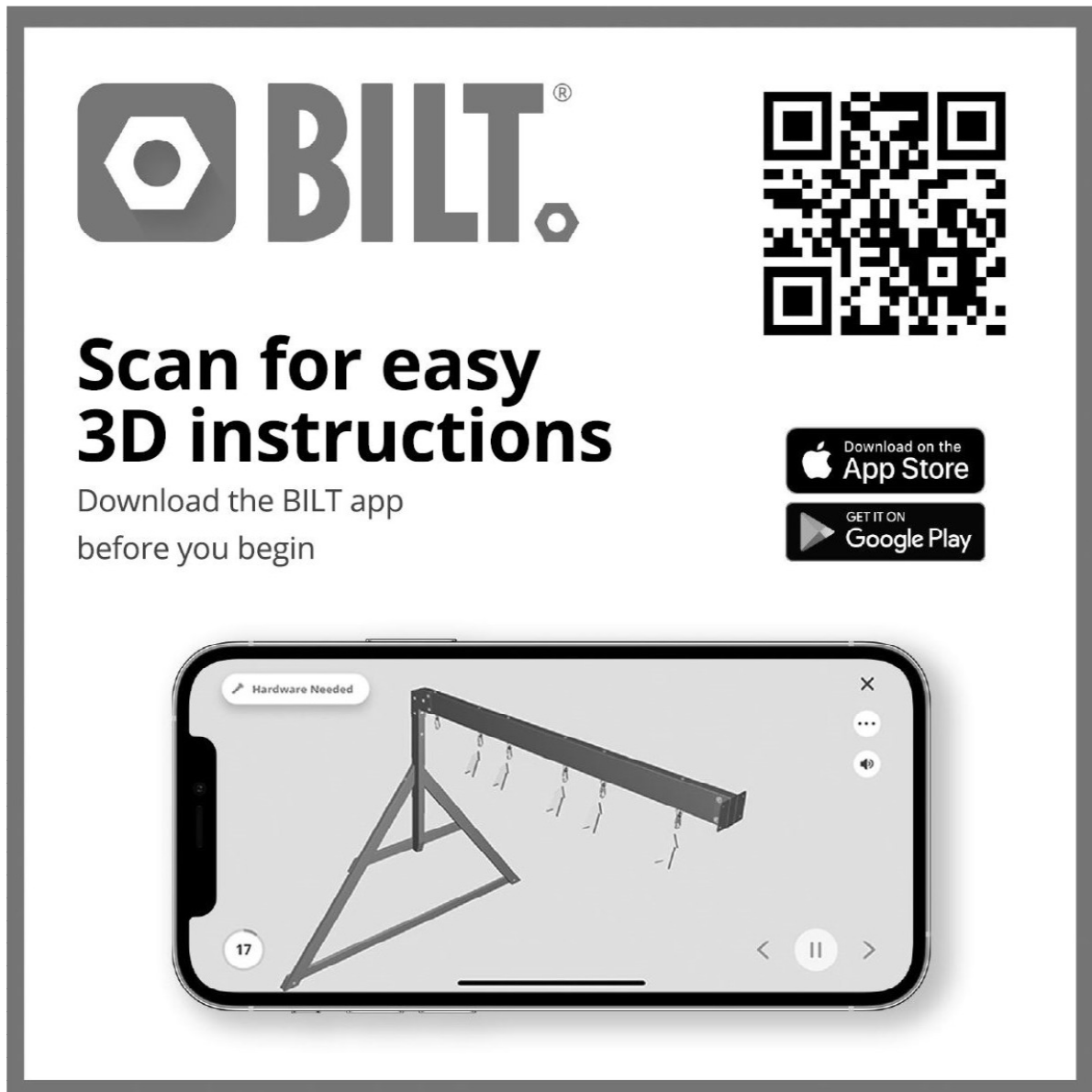


**Level 24"**

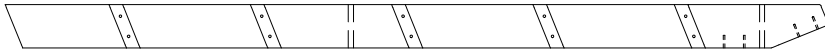
# PRE-ASSEMBLY STEP 3 - CHOOSE YOUR ASSEMBLY METHOD

There are several types of assembly instructions available to you.

1. **Printed Assembly Manual** included with your set
2. **BILT APP** - 3D interactive instructions
3. **Combination of the Printed Manual and BILT APP** (Note: Step numbers can differ between the two methods)



The advertisement features the BILT logo on the left, a QR code on the right, and the text "Scan for easy 3D instructions" in the center. Below the text are buttons for "Download on the App Store" and "GET IT ON Google Play". At the bottom, a smartphone displays a 3D assembly instruction for step 17, showing a metal frame with a horizontal bar and several hanging components. The phone screen also shows a "Hardware Needed" button and navigation icons.



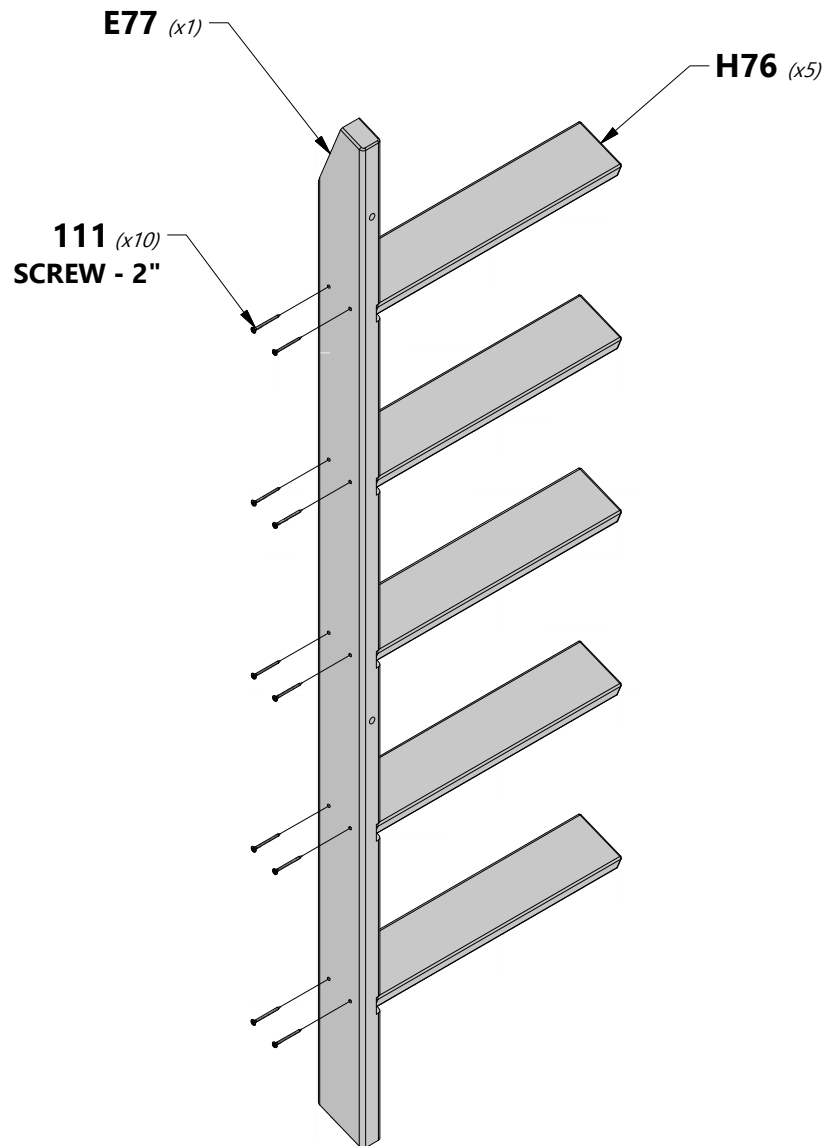
**E77** | LEFT UPRIGHT - W4L15932  
(1) | 1 3/8"x3 3/8"x64 3/8" (36x86x1634)

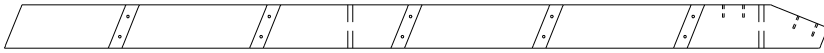


**H76** | LADDER RUNG - W4L15931  
(5) | 1"x3 3/8"x18 1/8" (24x86x460)



**H100111** | SCREW PFH  
(10) | 8x2

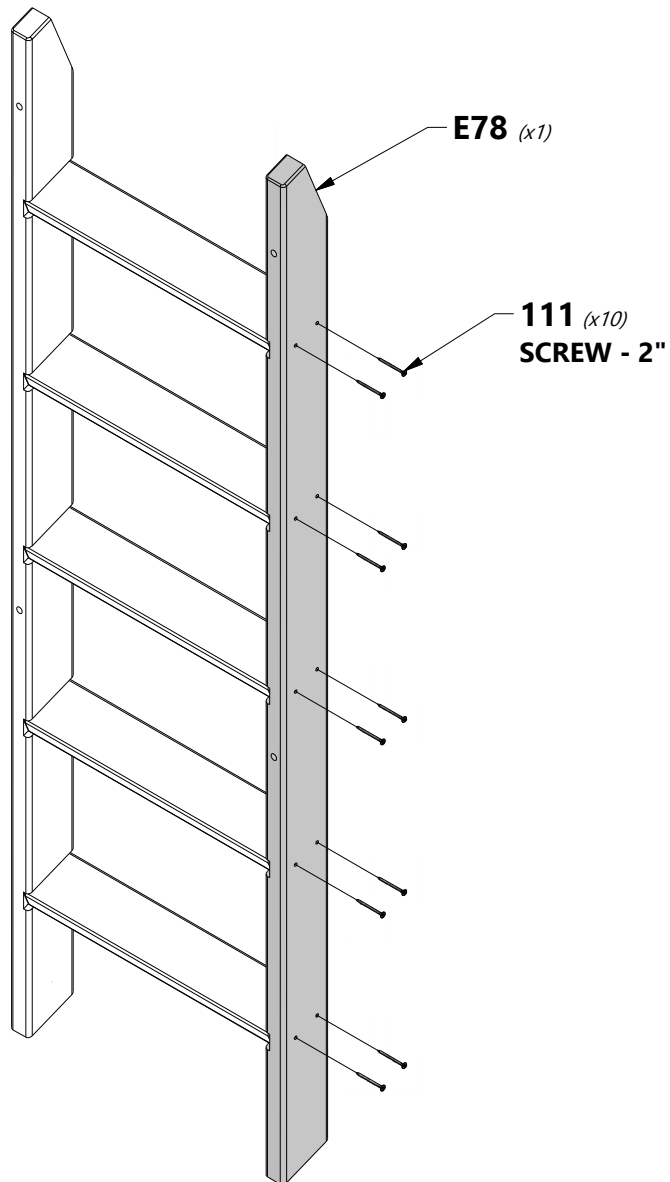




**E78** | RIGHT UPRIGHT - W4L15933  
(1) | 1 3/8"x3 3/8"x64 3/8" (36x86x1634)



**H100111** | SCREW PFH  
(10) | 8x2





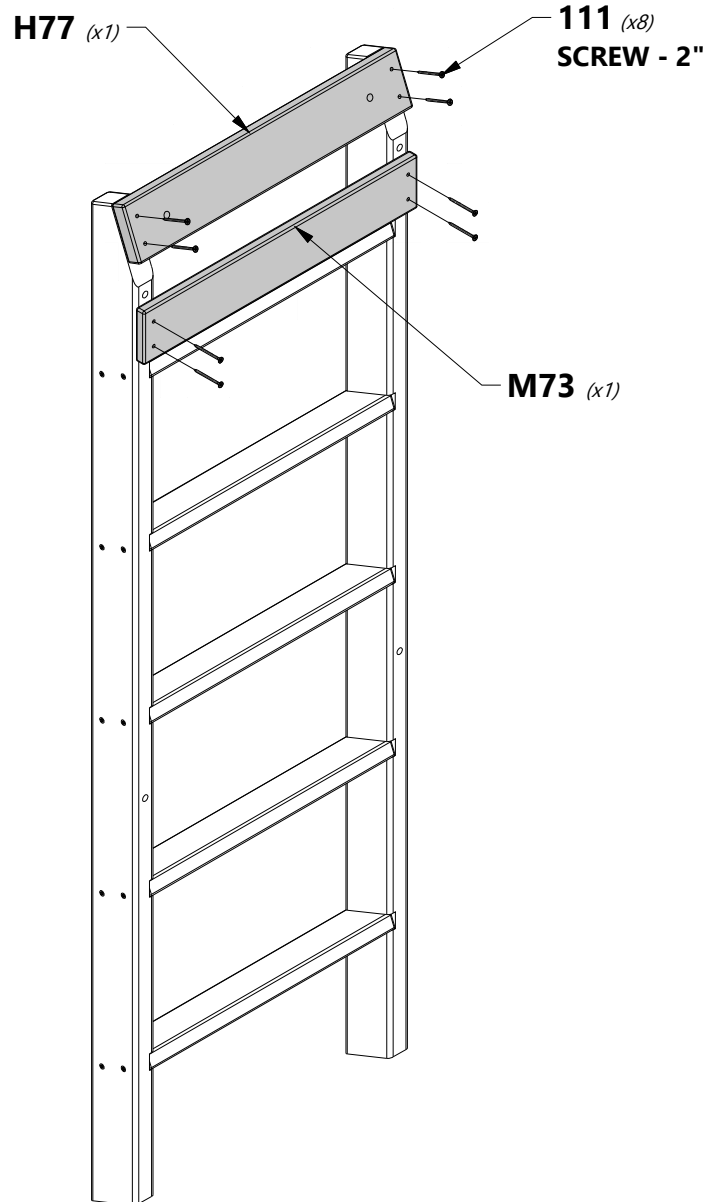
**H77** | ATTACHMENT BOARD - W4L15929  
(1) | 1"x3 3/8"x20 1/8" (24x86x512)

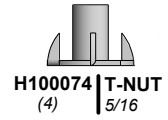
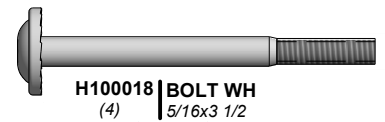
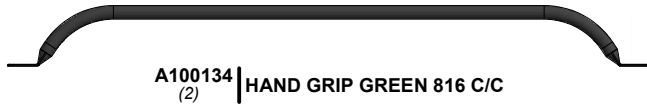


**M73** | REAR SUPPORT - W4L15930  
(1) | 5/8"x3 3/8"x20 1/8" (16x86x512)

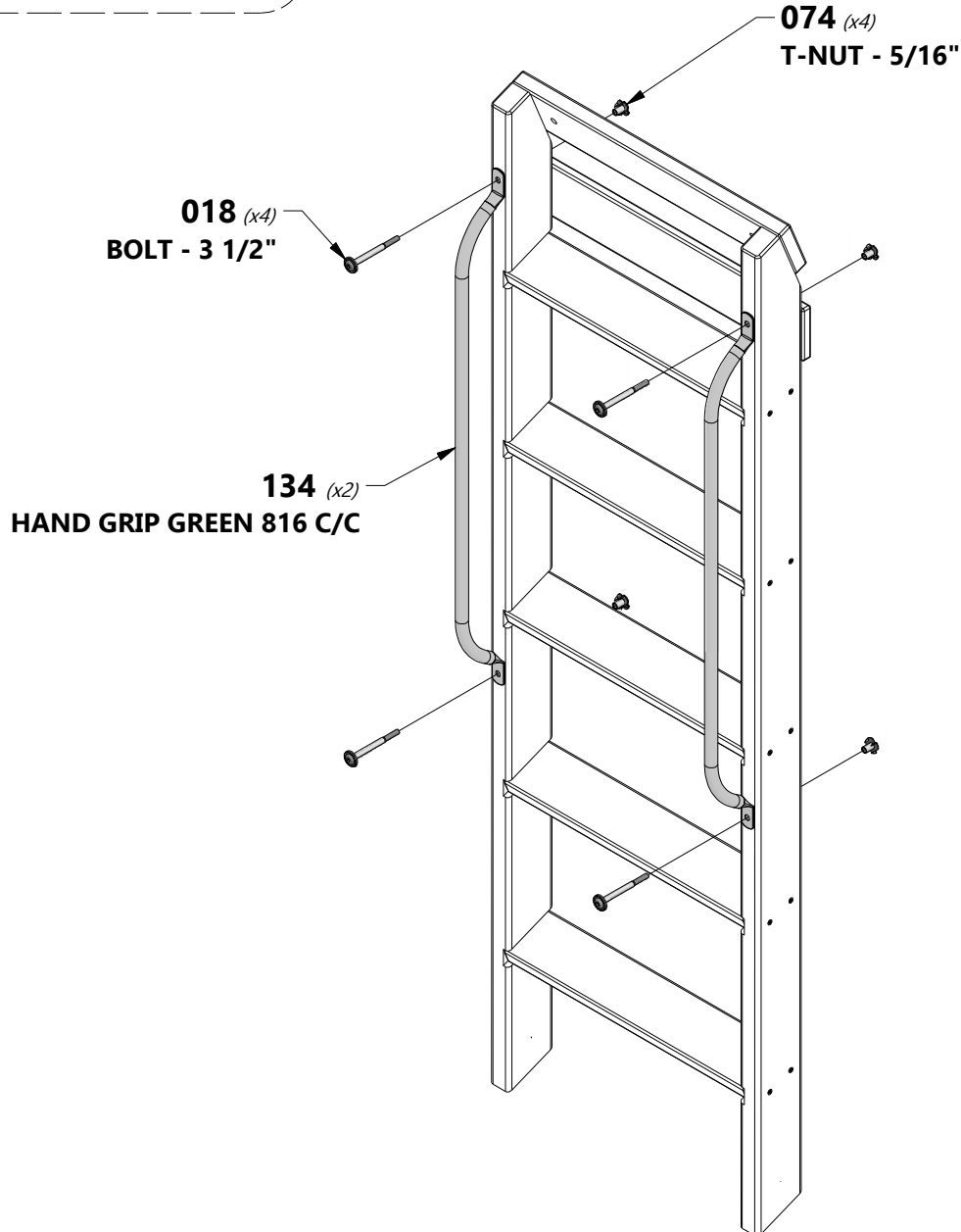


**H100111** | SCREW PFH  
(8) | 8x2





**TIP:**  
INSTALL T-NUTS INTO BOARDS  
BEFORE ASSEMBLY





# ROCKWALL ASSEMBLY

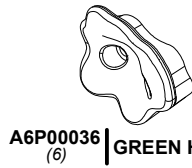
## STEP 1



**M76** | ROCK WALL BOARD - W4L15922  
(4) 5/8"x3 3/8"x22 7/8" (16x86x580)



**M75** | ROCK WALL BOARD - W4L15926  
(4) 5/8"x3 3/8"x22 7/8" (16x86x580)



**A6P00036** | GREEN HC ROCK #1  
(6)



**A6P00037** | GREEN HC ROCK #2  
(6)



**H100108** | WASHER LOCK  
(24) INT  
8x15



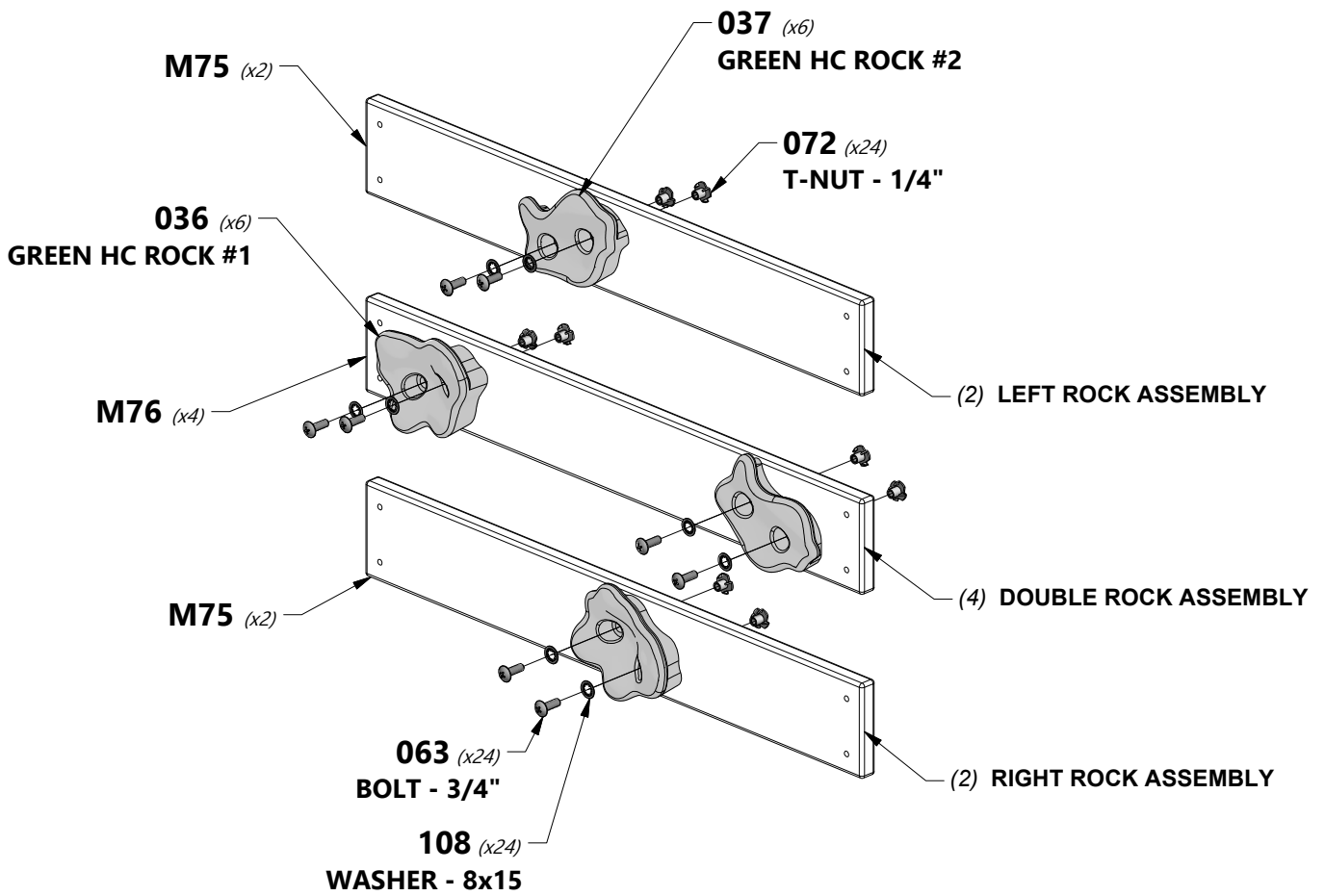
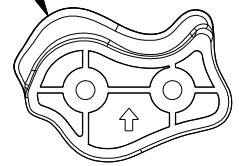
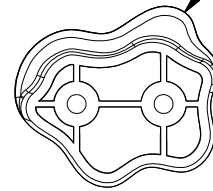
**H100063** | BOLT PTH  
(24) 1/4x3/4



**H100072** | T-NUT  
(24) 1/4

**TIP:**  
INSTALL T-NUTS INTO BOARDS BEFORE ASSEMBLY

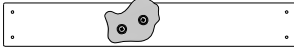
INSTALL WITH FINGER GRIPS UPWARD.  
**\*\*PLACE ROCKS AS DESIRED\*\***





# ROCKWALL ASSEMBLY

## STEP 2



(2) LEFT ROCK ASSEMBLY



(4) DOUBLE ROCK ASSEMBLY



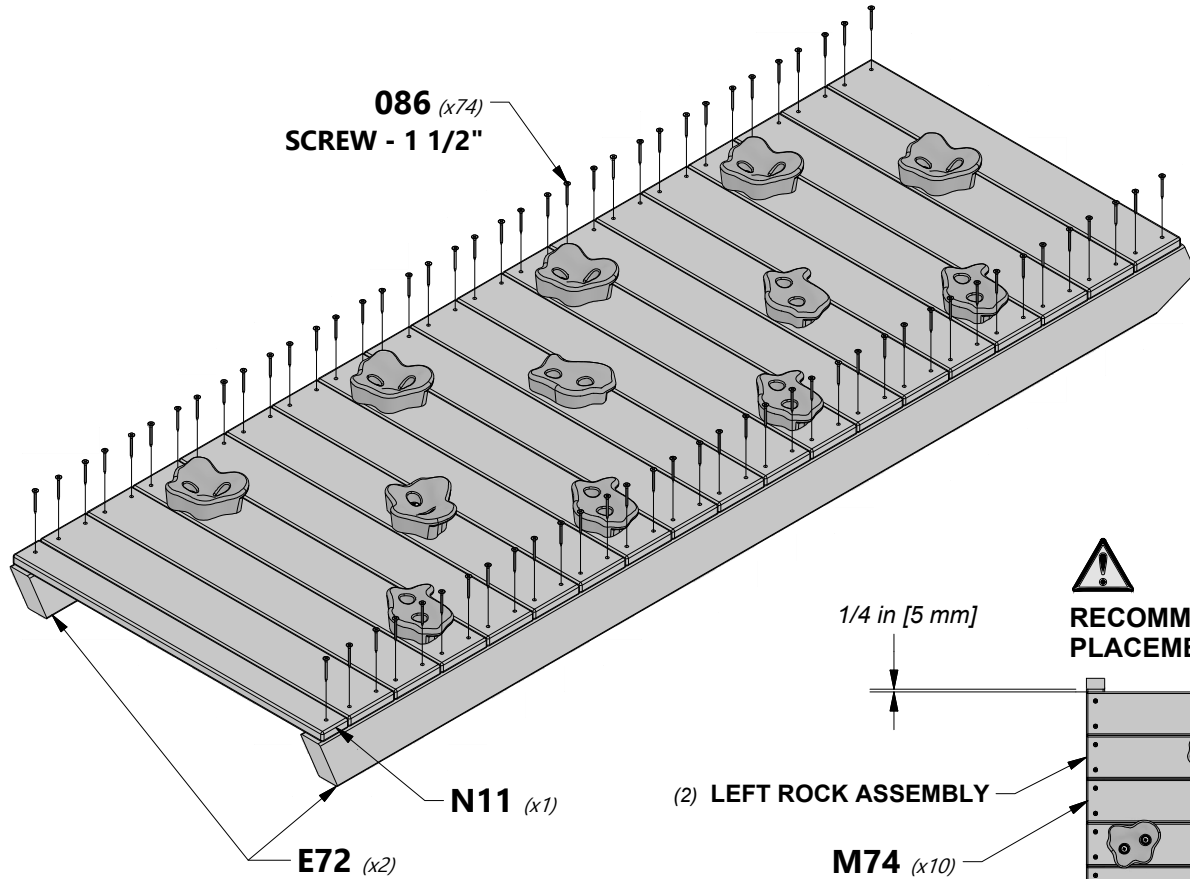
(2) RIGHT ROCK ASSEMBLY

**N11** ROCK WALL BOARD - W4L15928  
(1) 5/8"x2"x22 7/8" (16x50x580)

**M74** ROCK WALL BOARD - W4L15927  
(10) 5/8"x3 3/8"x22 7/8" (16x86x580)

**E72** ROCKWALL RAIL - W4L15923  
(2) 1 3/8"x3 3/8"x64 5/8" (36x86x1640)

**H100086** SCREW PFH  
(74) 8x1 1/2



**086** (x74)  
SCREW - 1 1/2"

**N11** (x1)

**E72** (x2)

(2) LEFT ROCK ASSEMBLY

**M74** (x10)

(2) RIGHT ROCK ASSEMBLY

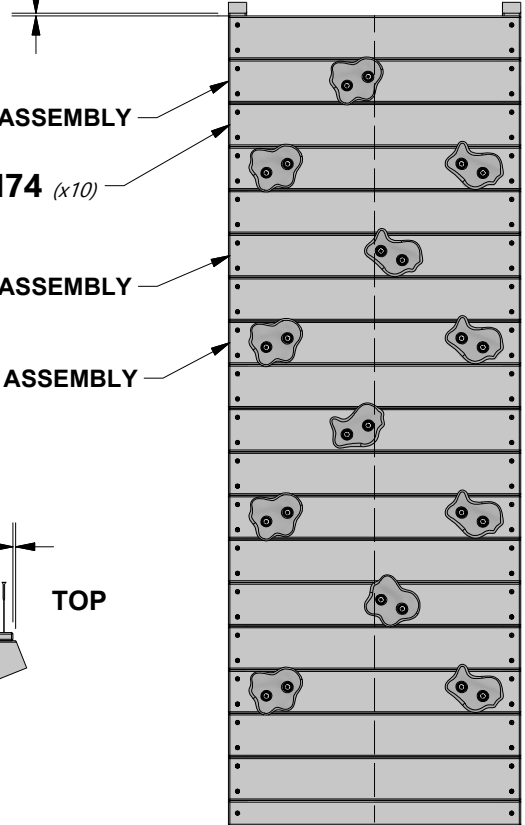
(4) DOUBLE ROCK ASSEMBLY



TOP

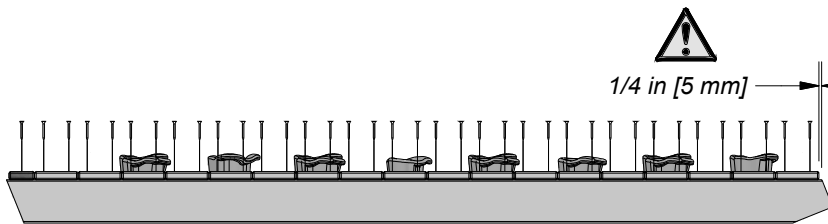
RECOMMENDED BOARD  
PLACEMENT PATTERN

1/4 in [5 mm]



1/4 in [5 mm]

TOP



SIDE VIEW



# ROCKWALL ASSEMBLY

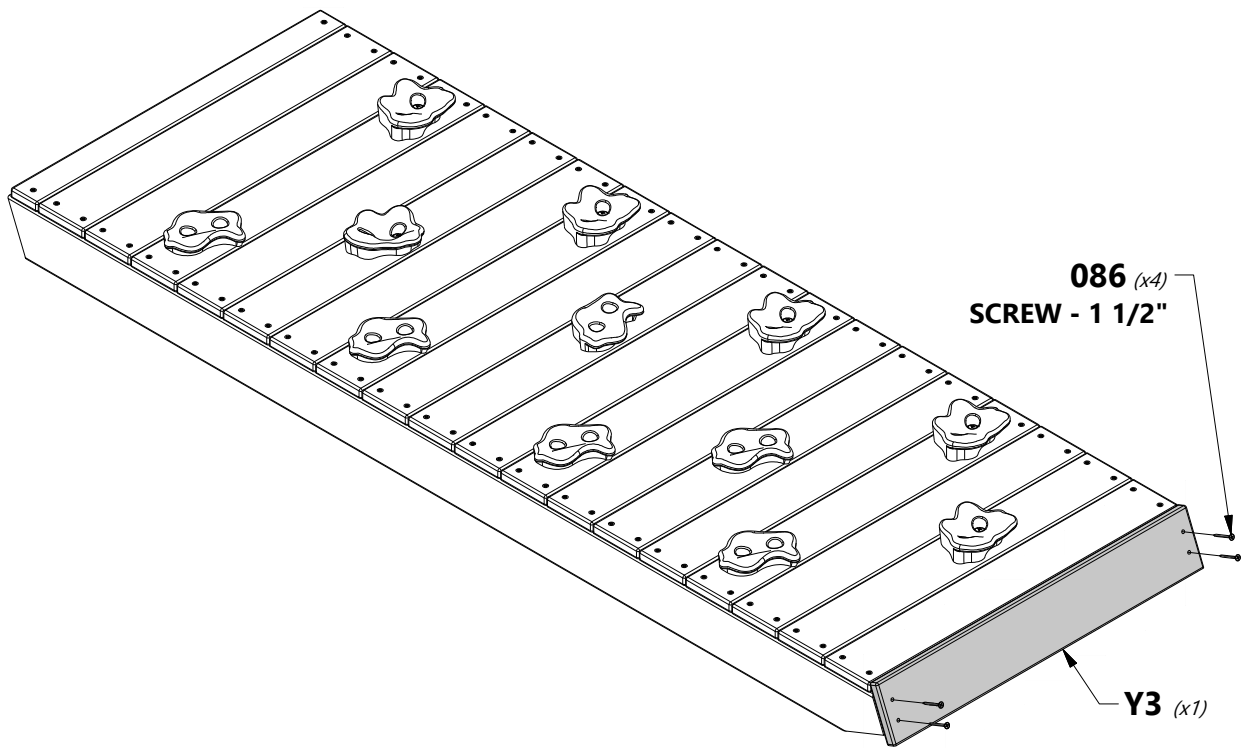
## STEP 3



**Y3** | ROCK WALL END BOARD - W4L15925  
(1) | 5/8"x3 5/8"x22 7/8" (16x92x580)



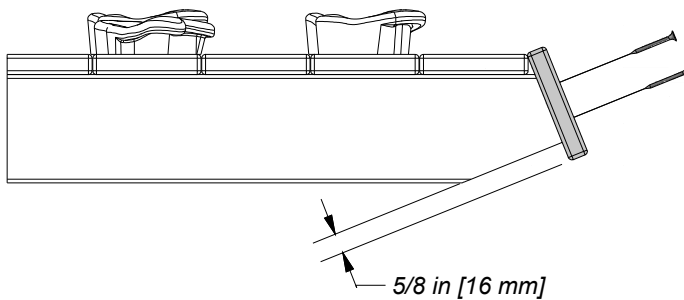
**H100086** | SCREW PFH  
(4) | 8x1 1/2



**086** (x4)  
SCREW - 1 1/2"

**Y3** (x1)

### SIDE VIEW



5/8 in [16 mm]



# ROCKWALL ASSEMBLY

## STEP 4



**M61** | ATTACHMENT BOARD - W4L15924  
(1) | 5/8"x3 3/8"x22 7/8" (16x86x580)



**H100086** | SCREW PFH  
(4) | 8x1 1/2

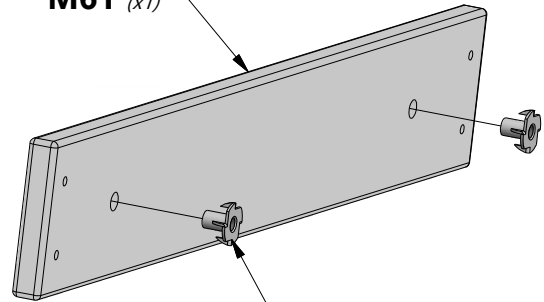


**H100074** | T-NUT  
(2) | 5/16

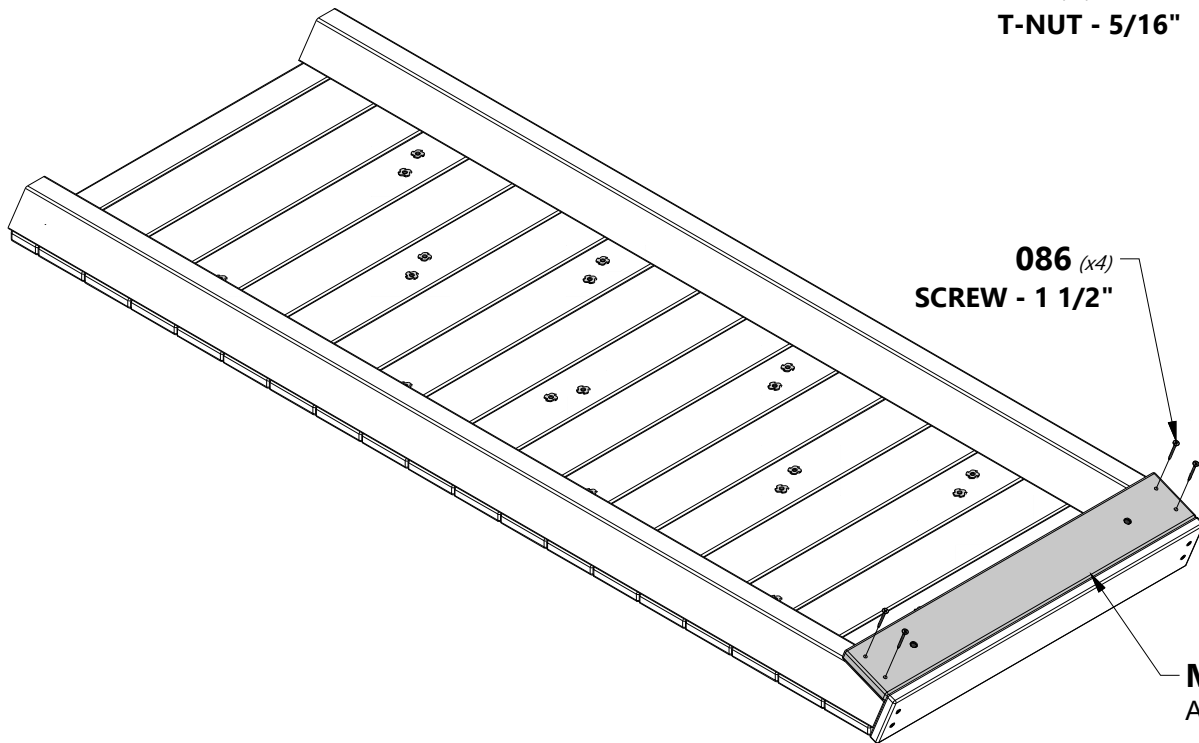


**TIP:**  
INSTALL T-NUTS INTO BOARDS  
BEFORE ASSEMBLY

**M61** (x1)



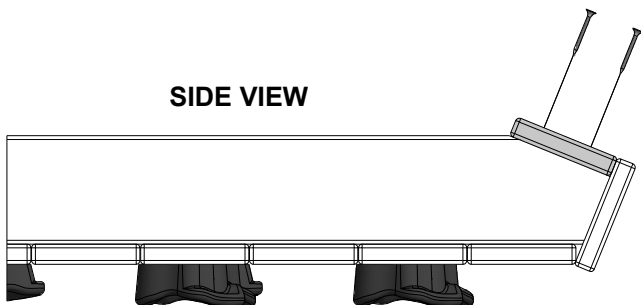
**074** (x2)  
T-NUT - 5/16"



**086** (x4)  
SCREW - 1 1/2"

**M61**  
ASSEMBLY

**SIDE VIEW**

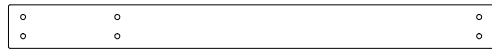


**T-NUTS TO THE INSIDE  
WHEN INSTALLING BOARD**

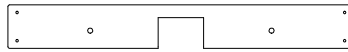


# CROWS NEST

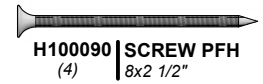
## STEP 1



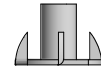
**E03** | CROWS NEST FLOOR RAIL - W4L15901  
(2) | 1 3/8"x3 3/8"x38" (36x86x964)



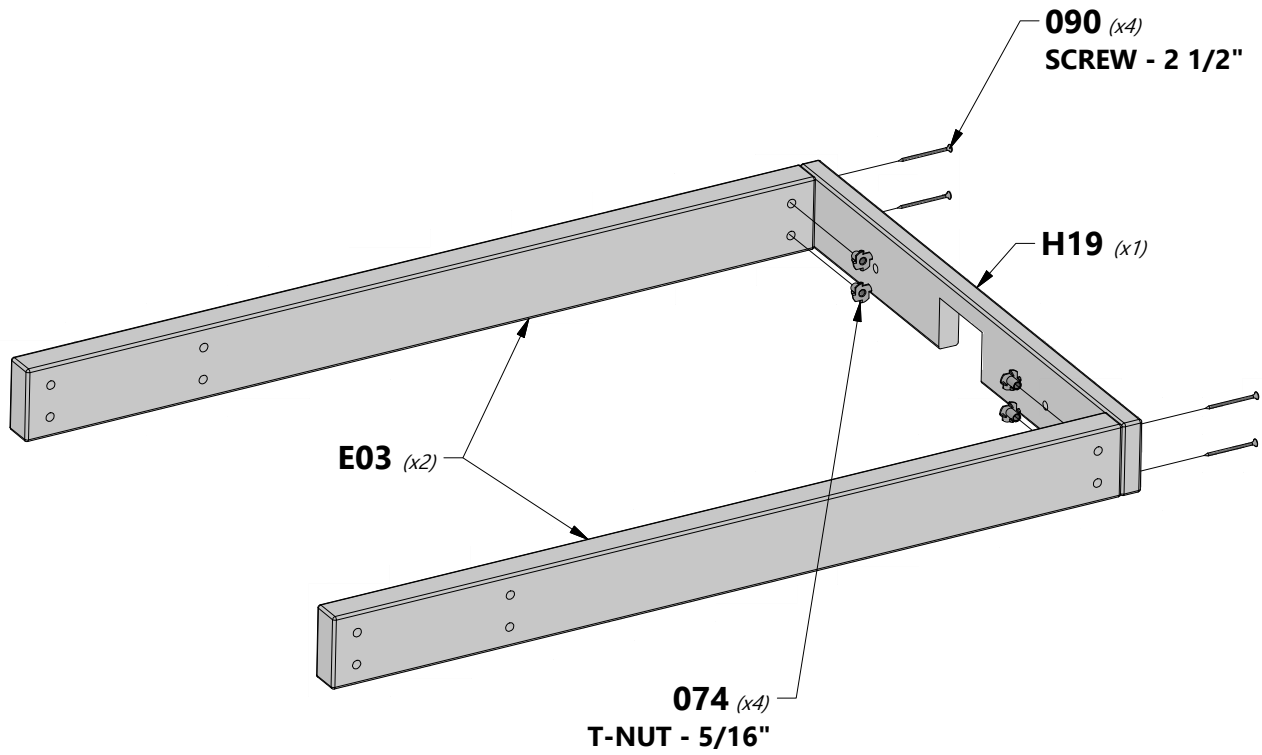
**H19** | CROWS NEST FLOOR RAIL - W4L15903  
(1) | 1"x3 3/8"x27" (24x86x686)



**H100090** | SCREW PFH  
(4) | 8x2 1/2"



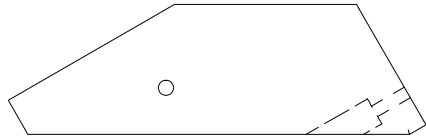
**H100074** | T-NUT  
(4) | 5/16"



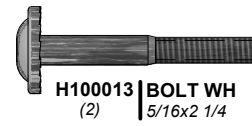


# CROWS NEST

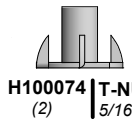
## STEP 2



**E8** | CROWS NEST DECK BRACE - W4L15902  
(2) | 1 7/16"x3 3/8"x10 7/8" (36x86x276)



**H100013** | BOLT WH  
(2) | 5/16x2 1/4



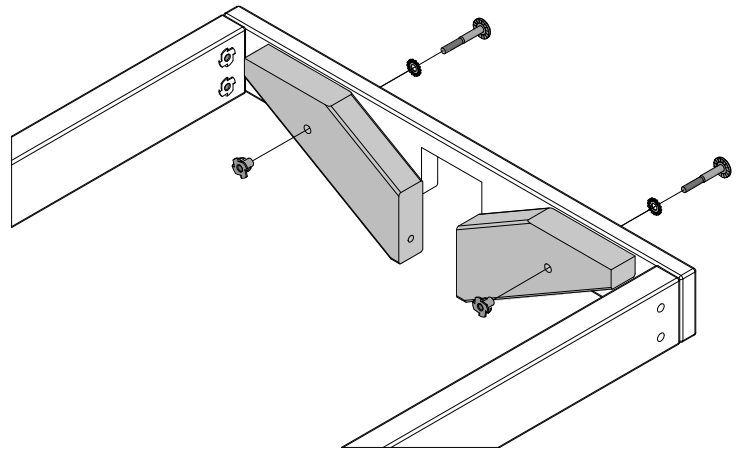
**H100074** | T-NUT  
(2) | 5/16



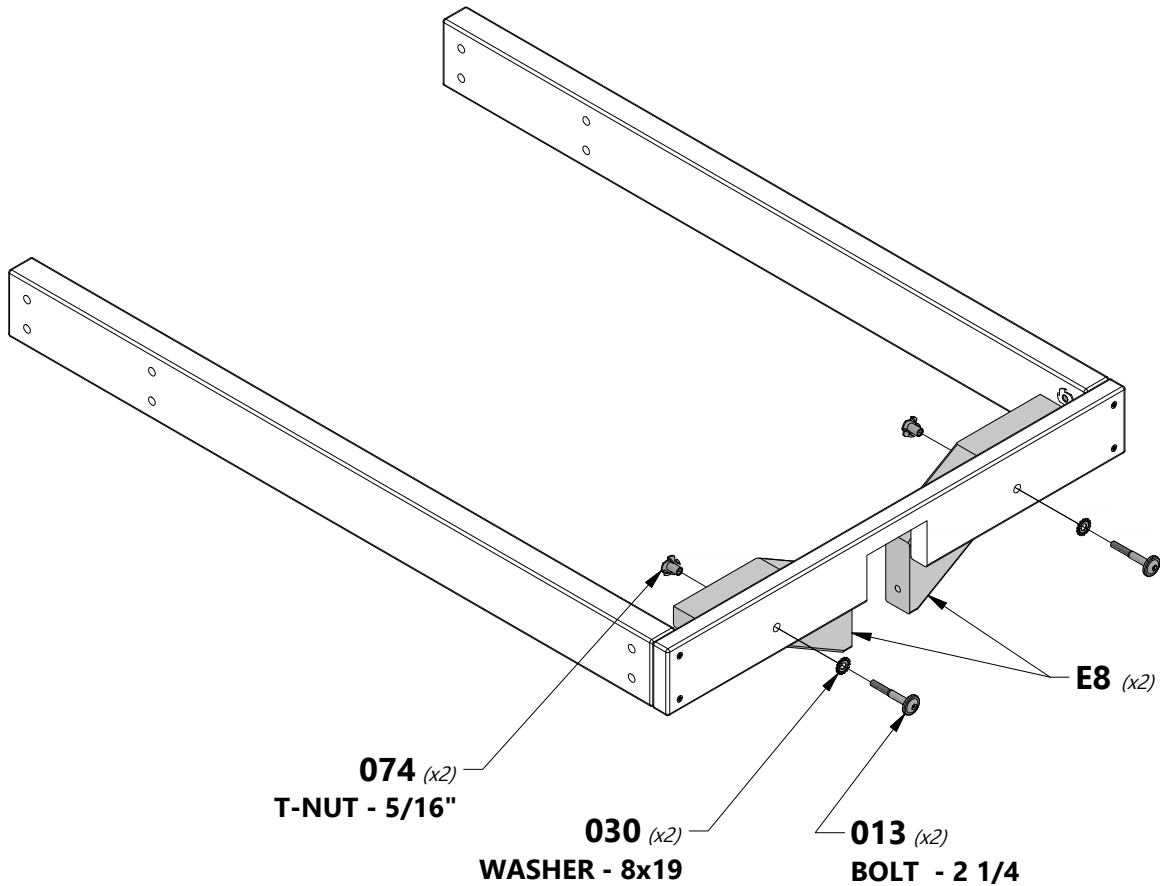
**H100030** | WASHER LOCK EXT  
(2) | 8x19



**TIP:**  
INSTALL T-NUTS INTO  
BOARDS BEFORE ASSEMBLY.



**INSIDE VIEW**





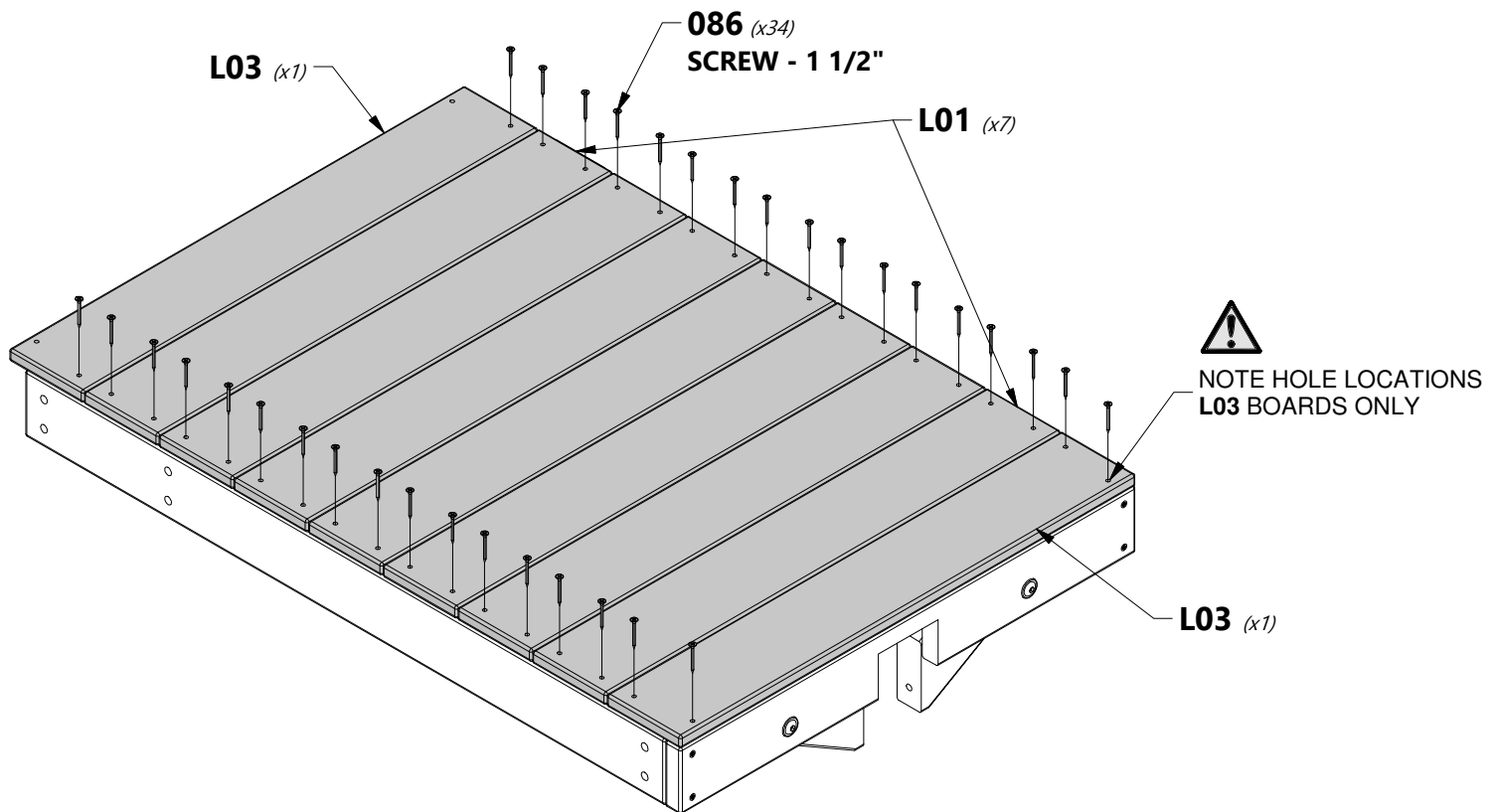
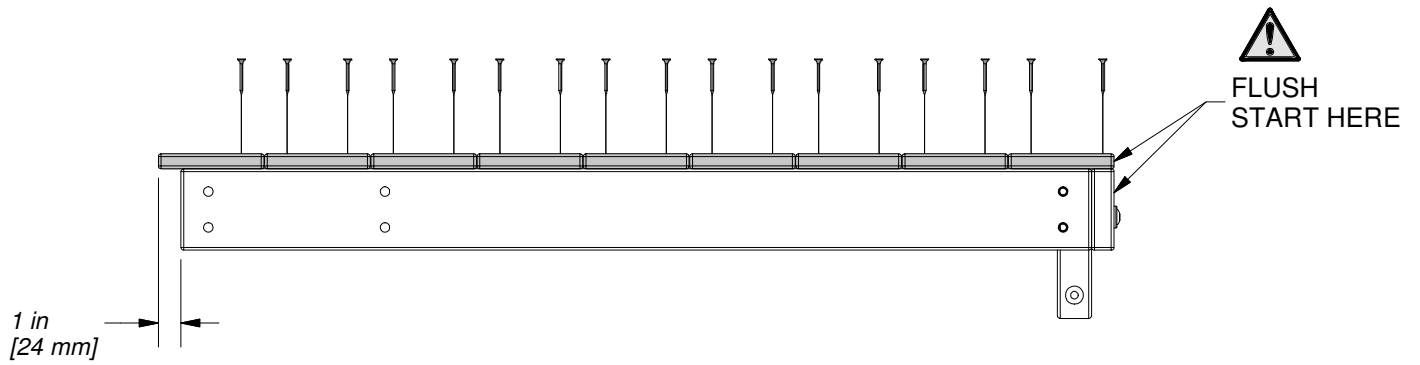
**L01** | CROWS NEST FLOOR BOARD - W4L15905  
(7) | 5/8"x4 3/8"x27" (16x112x686)



**L03** | CROWS NEST FLOOR BOARD - W4L15906  
(2) | 5/8"x4 3/8"x27" (16x112x686)



**H100086** | SCREW PFH  
(34) | 8x1 1/2

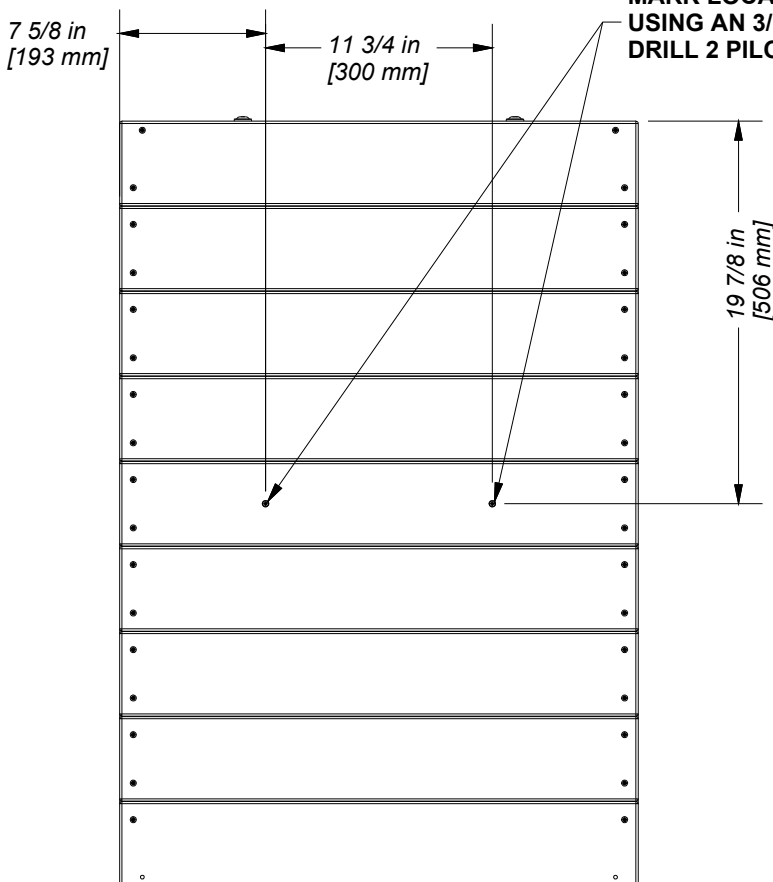
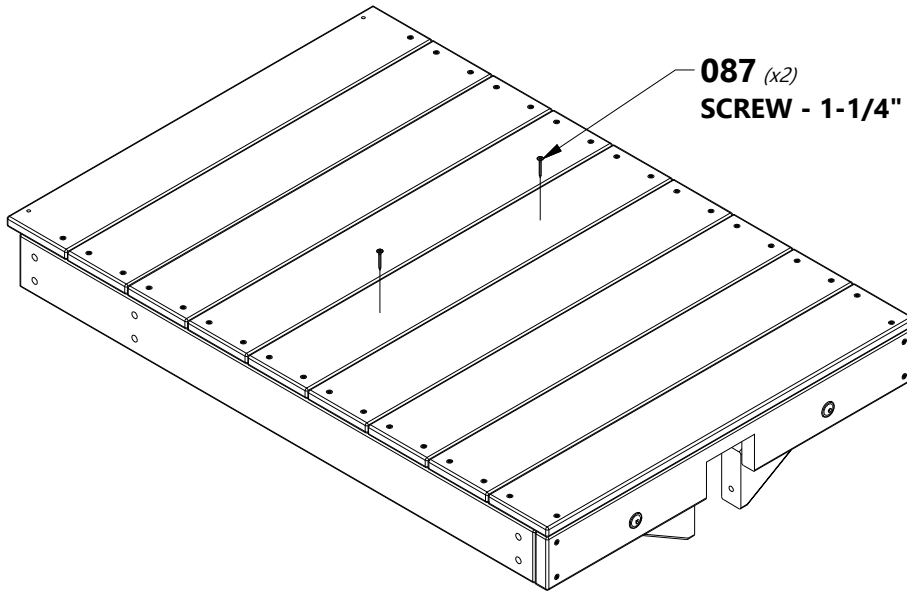




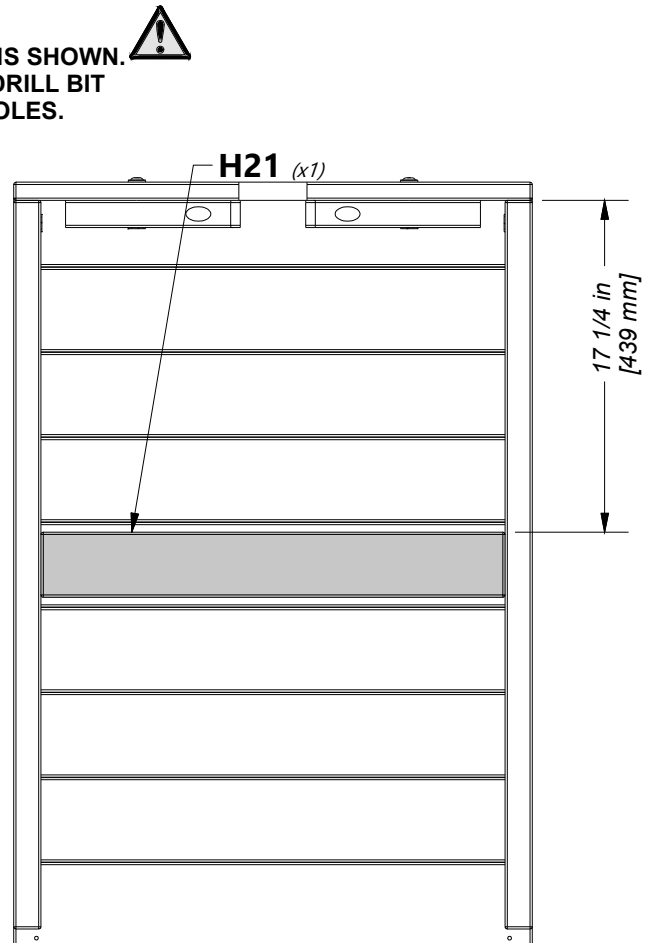
**H21 | CROWS NEST FLOOR SUPPORT - W4L15904**  
(1) | 1"x3 3/8"x24 1/8" (24x86x614)

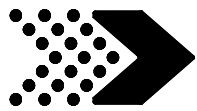


**H100087 | SCREW PFH**  
(2) | 8x1 1/4



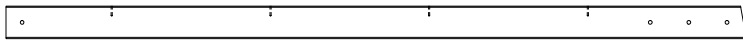
**MARK LOCATIONS SHOWN. USING AN 3/16\" DRILL BIT DRILL 2 PILOT HOLES.**





# MONKEY BAR ASSEMBLY

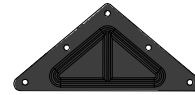
## STEP 1



**E4** | MONKEY BAR RAIL - W4L15936  
(x2) | 1 3/8"x3 3/8"x77 1/8" (36x86x1959)



**A100045** | METAL RUNG 559 GREEN  
(x4)



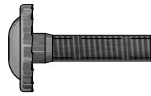
**A100294** | TRIANGLE  
(x2) | PLATE 100° 5  
HOLE



**A4M01046** | L BRACKET  
(x4) | 2.5x38x55x55



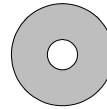
**H100012** | BOLT WH  
(x2) | 5/16x2



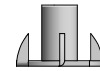
**H100009** | BOLT WH  
(x6) | 5/16x1 1/4



**H100145** | LAG SCREW WH  
(x8) | 1/4x1 1/2



**H100105** | WASHER FLAT  
(x2) | 8x27



**H100074** | T-NUT  
(x6) | 5/16



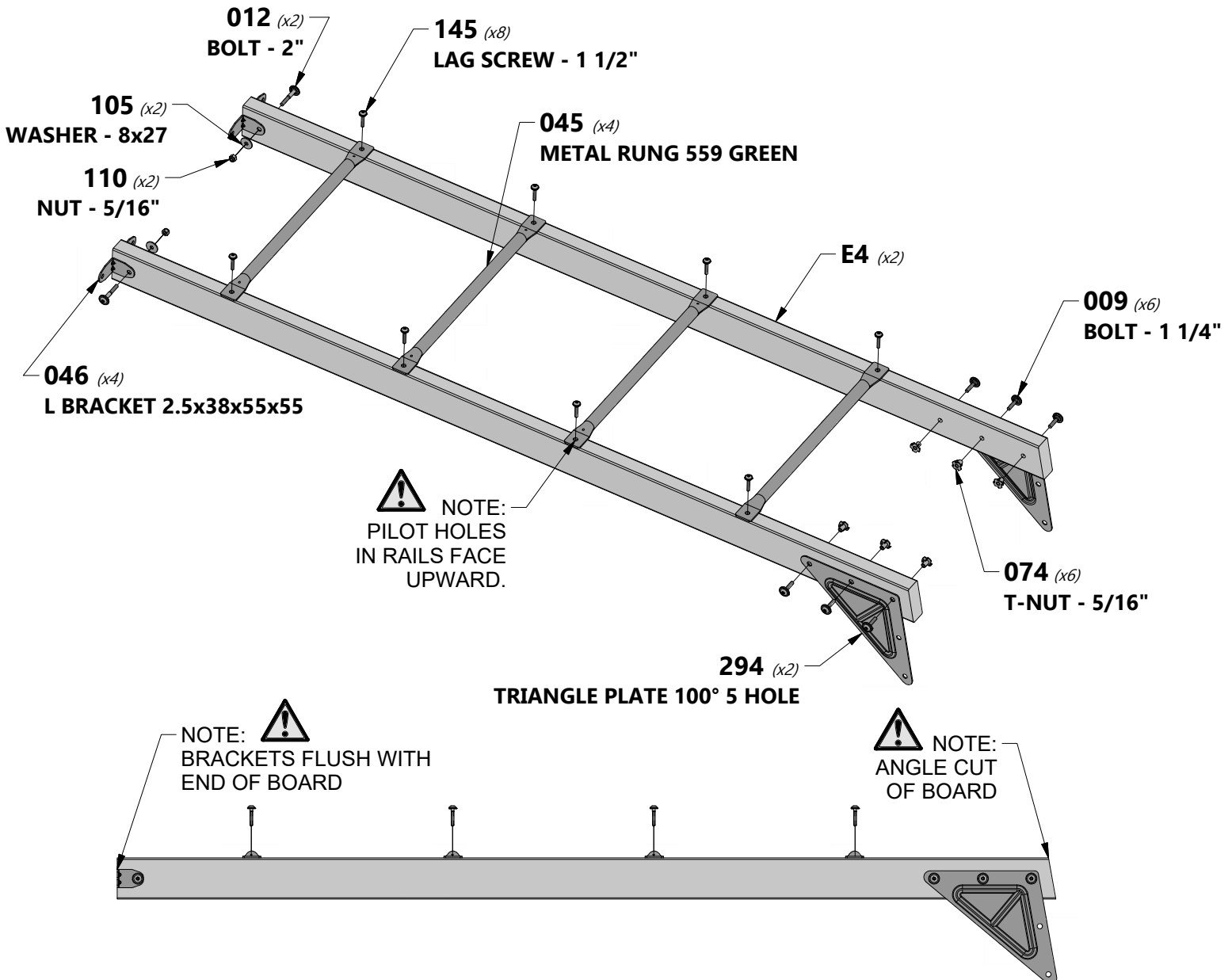
**H100110** | NUT LOCK  
(x2) | 5/16

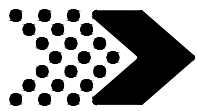


**TIP:**  
SCREW TAPPING 14x1-1/2  
USE A #3 PHILLIPS BIT.



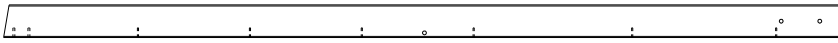
**TIP:**  
INSTALL T-NUTS INTO  
BOARDS BEFORE ASSEMBLY.





# MONKEY BAR ASSEMBLY

## STEP 2



**E5** | MONKEY BAR UPRIGHT - W4L15937  
(x2) | 1 3/8"x3 3/8"x87 5/8" (36x86x2226)



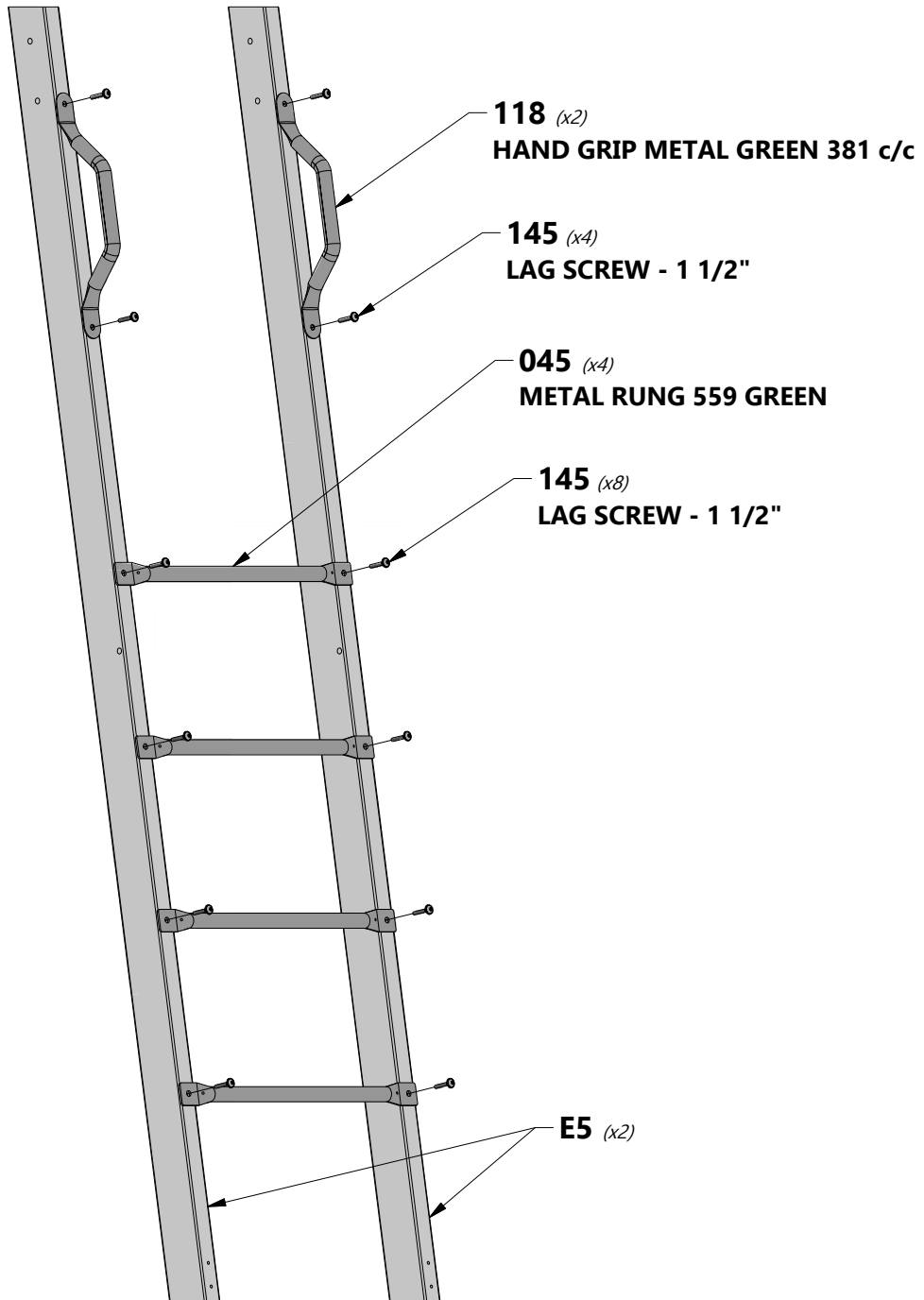
**A100045** | METAL RUNG 559 GREEN  
(x4)

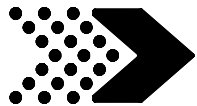


**A100118** | HAND GRIP METAL GREEN 381 c/c  
(x2)



**H100145** | LAG SCREW WH  
(x12) | 1/4x1 1/2





# MONKEY BAR ASSEMBLY

## STEP 3



**H32 | MONKEY BAR GROUND BOARD - W4L15935**  
(x1) | 1"x3 3/8"x70 3/8" (24x86x1786)



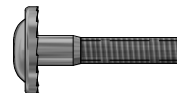
**H22 | MONKEY BAR BRACE - W4L15934**  
(x2) | 1"x3 3/8"x51 1/2" (24x86x1308)



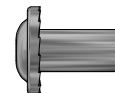
**H100047 | BOLT HEX**  
(x2) | 5/16x2 3/4



**H100028 | LAG SCREW WH**  
(x4) | 5/16x2 1/2



**H100010 | BOLT WH**  
(x4) | 5/16x1-1/2



**H100005 | NUT BARREL WH**  
(x4) | 5/16x7/8



**H100074 | T-NUT**  
(x2) | 5/16



**H100031 | WASHER LOCK EXT**  
(x4) | 12x19



**H100030 | WASHER LOCK EXT**  
(x8) | 8x19



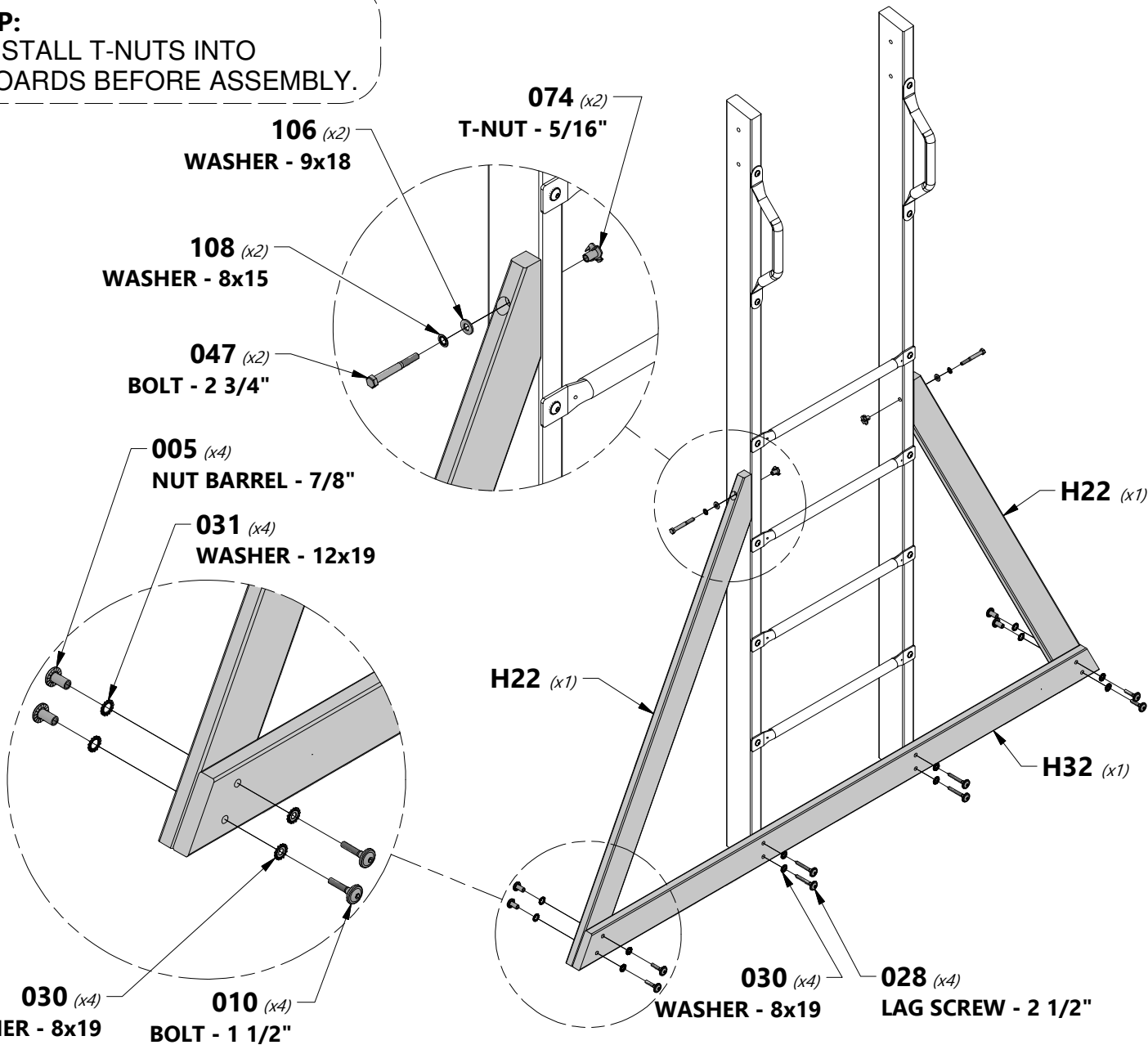
**H100106 | WASHER FLAT**  
(x2) | 9x18

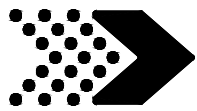


**H100108 | WASHER LOCK INT**  
(x2) | 8x15



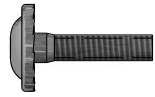
**TIP:**  
INSTALL T-NUTS INTO  
BOARDS BEFORE ASSEMBLY.





# MONKEY BAR ASSEMBLY

## STEP 4

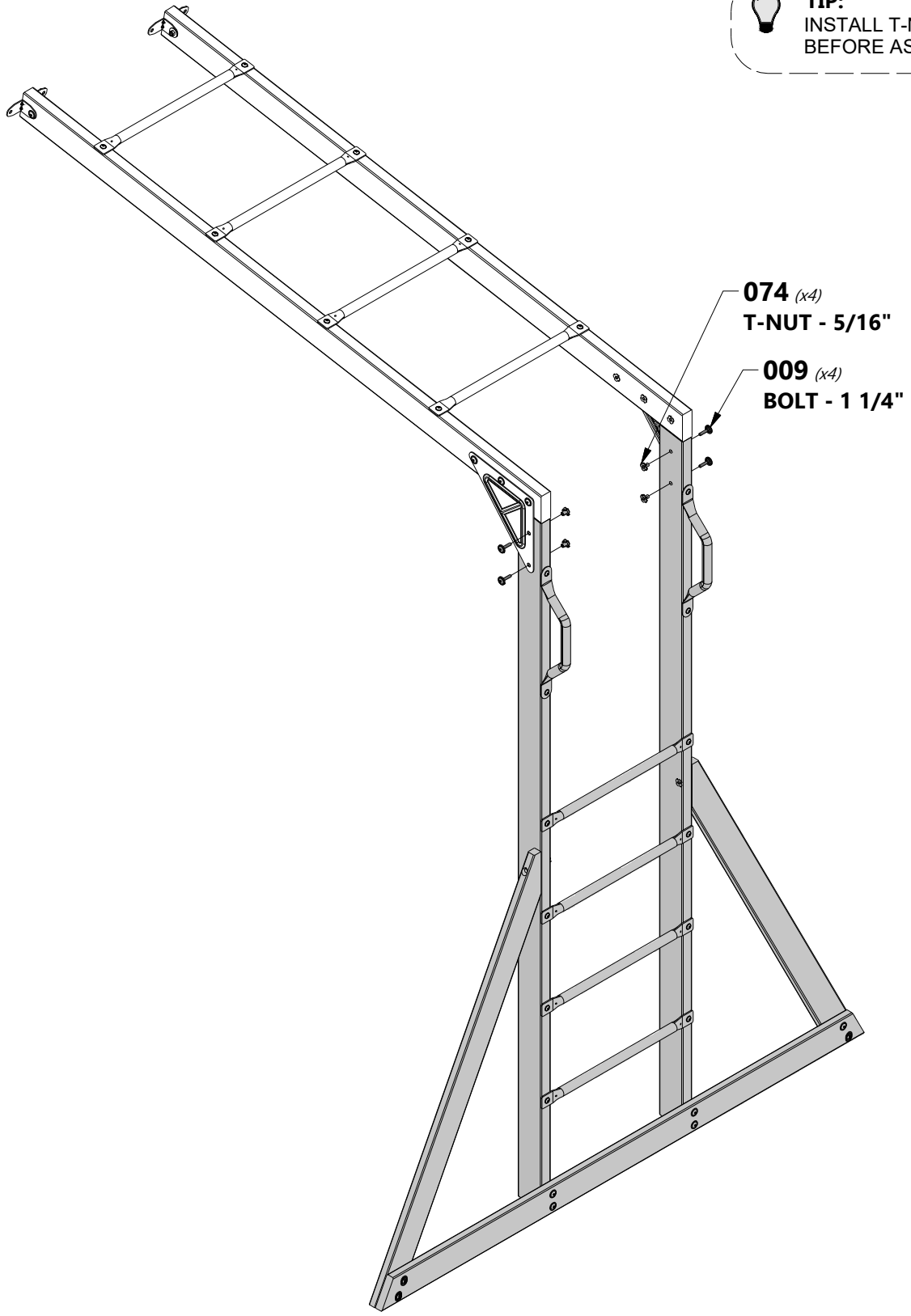


**H100009** | BOLT WH  
(x4) | 5/16x1 1/4



**H100074** | T-NUT  
(x4) | 5/16

 **TIP:**  
INSTALL T-NUTS INTO BOARDS  
BEFORE ASSEMBLY





# SLIDE ASSEMBLY

# STEP 1



**A100035** | SLIDE BED 10' LIGHT GREEN  
(x1)



**M70** | SLIDE SUPPORT BOARD - W100935  
(x1) | 5/8"x3 3/8"x19 7/8" (16x86x505)



**H100074** | T-NUT  
(x3) | 5/16"



**H100115** | BOLT WH  
(x3) | 5/16x1/2"



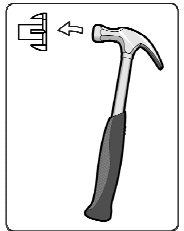
### NOTE:

TAKE NOTE OF SLIDE BED SURFACE FINISH, THE DULL SIDE WILL BE TOWARDS THE GROUND. PLACE SLIDE BRACE CENTERED ON THE BOTTOM (DULL SIDE) AND 1/2" FROM THE EDGE. USE **M70** BOARD AS A TEMPLATE FOR DRILLING BOTTOM HOLE PATTERN IN SLIDE BED. USE A 5/16" DRILL BIT.

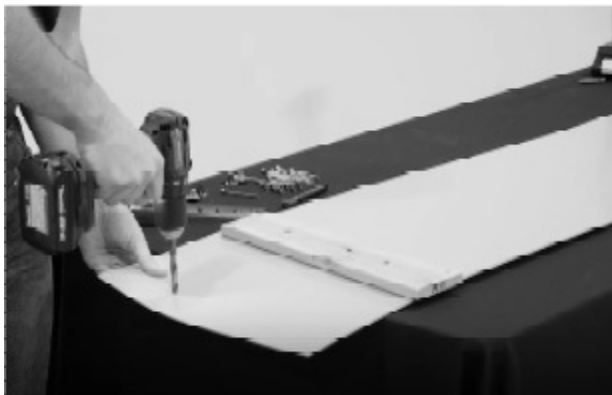
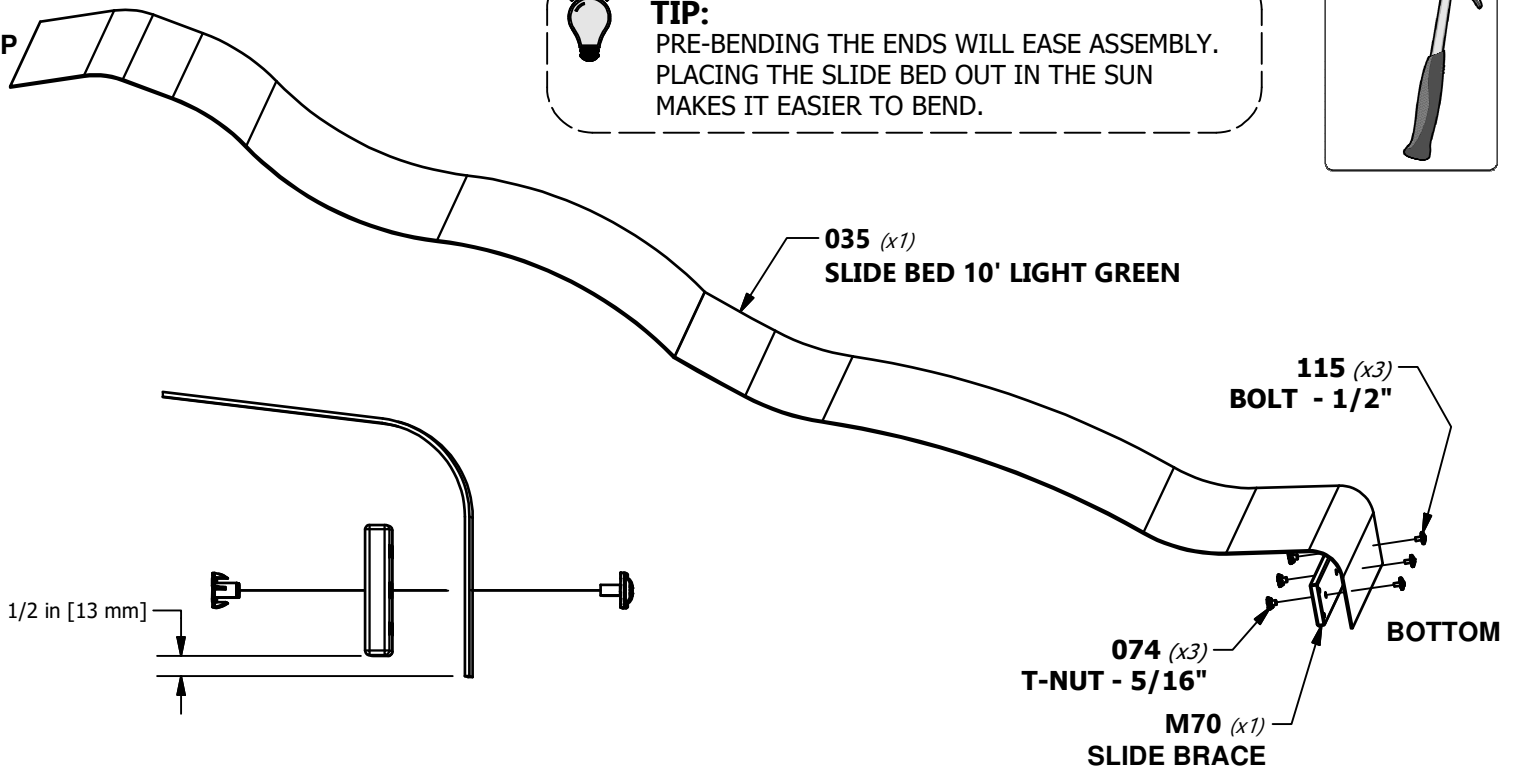


### TIP:

PRE-BENDING THE ENDS WILL EASE ASSEMBLY. PLACING THE SLIDE BED OUT IN THE SUN MAKES IT EASIER TO BEND.



TOP





# SLIDE ASSEMBLY

# STEP 2



A6P00484 | SLIDE RAIL 10' BOTTOM RIGHT GREEN  
(x1)



A6P00486 | SLIDE RAIL 10' TOP RIGHT GREEN  
(x1)



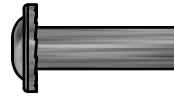
A6P00483 | SLIDE RAIL 10' BOTTOM LEFT GREEN  
(x1)



A6P00485 | SLIDE RAIL 10' TOP LEFT GREEN  
(x1)



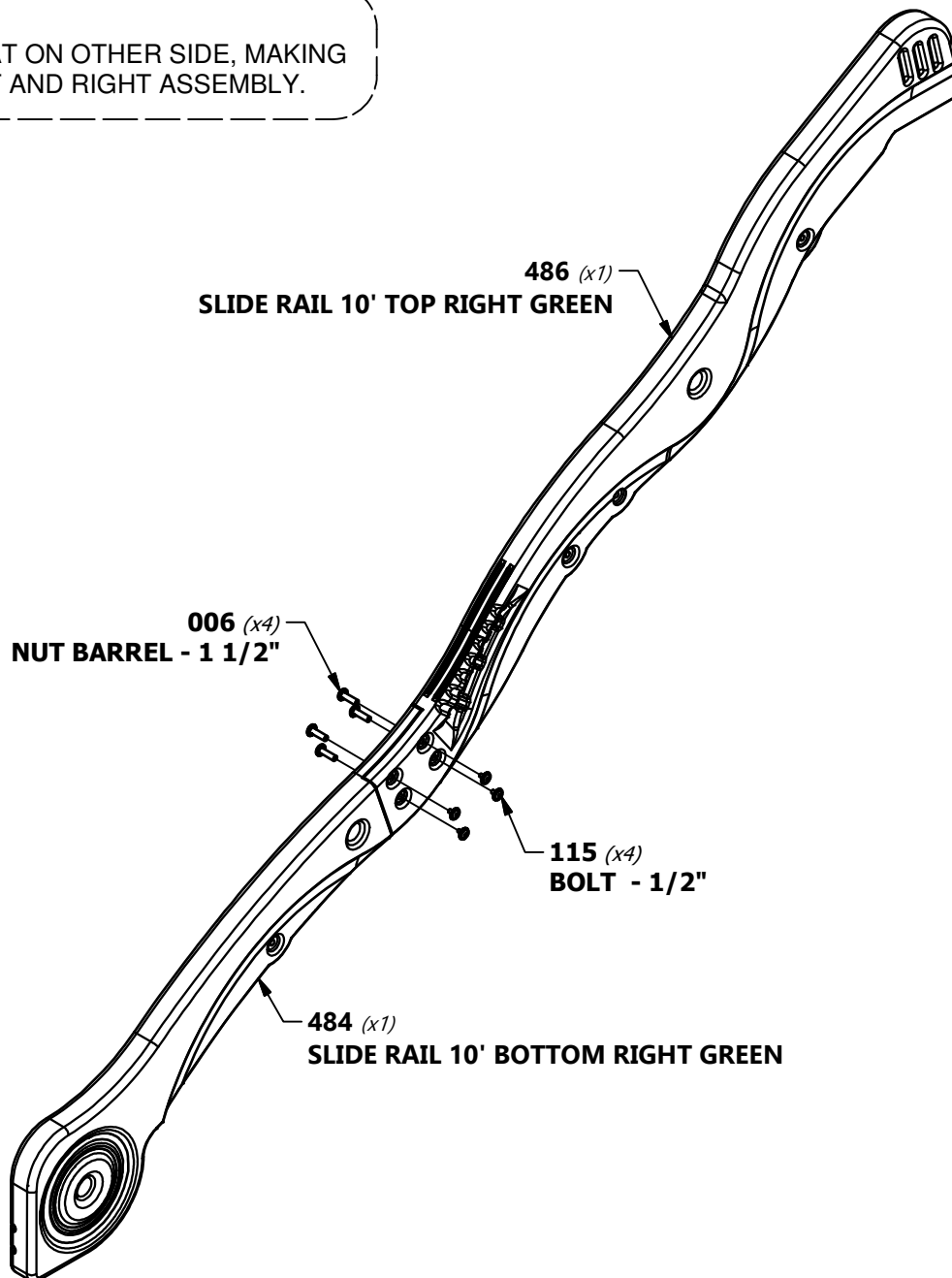
H100115 | BOLT WH  
(x8) | 5/16x1/2



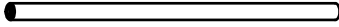
H100006 | NUT BARREL WH  
(x8) | 5/16x1 1/2

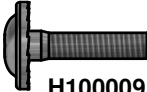


**NOTE:**  
REPEAT ON OTHER SIDE, MAKING  
A LEFT AND RIGHT ASSEMBLY.





  
**A6P00487** | SLIDE TUBE SUPPORT  
 (x4)

  
**H100009** | BOLT WH  
 (x4) | 5/16x1 1/4

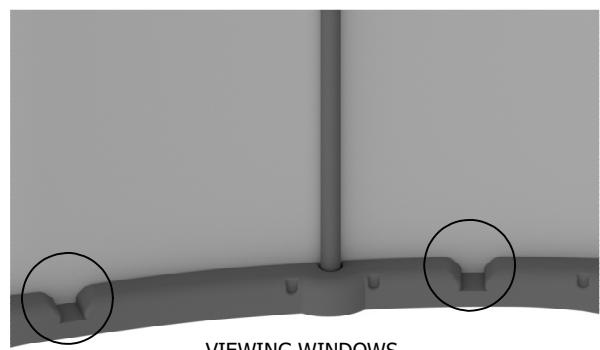
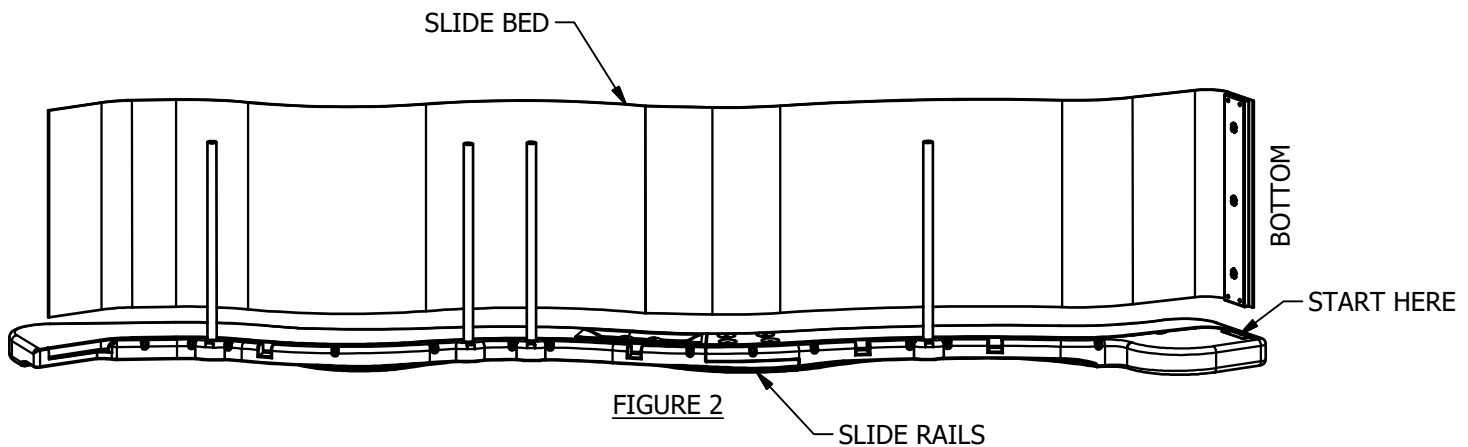
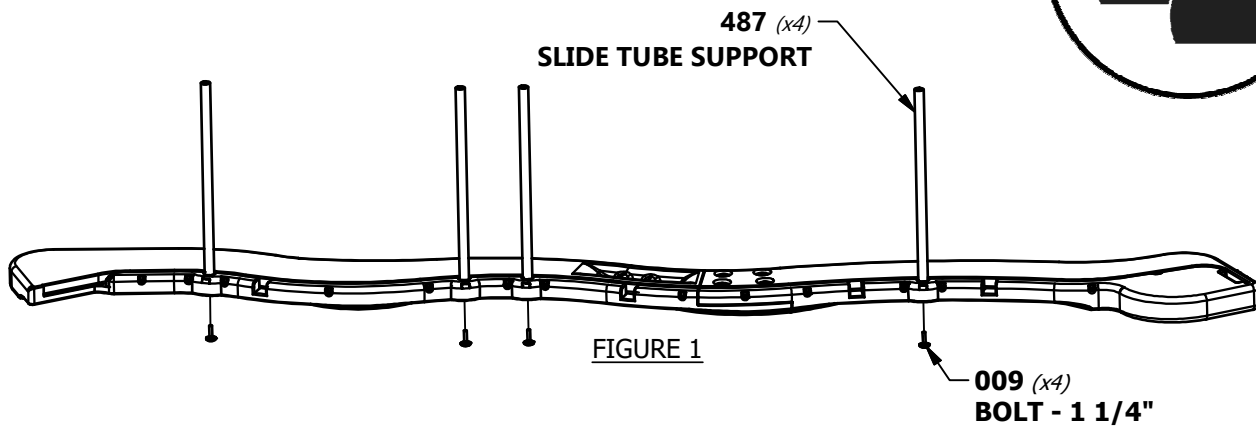
**NOTE:**

INSERT THE (4) SLIDE SUPPORT TUBES INTO THEIR RESPECTIVE PILOT LOCATIONS (FIGURE 1).

PLACE (1) SLIDE RAIL ASSEMBLY ON A FLAT SURFACE AND BEGIN INSERTING SLIDE BED AT THE BOTTOM OF THE SLIDE RAIL (FIGURE 2). HAVE A HELPER BEND THE SLIDE BED TOWARDS THE TOP OF THE SLIDE AND INSERT THE BED INTO THE SLIDE CAVITY. MAKE SURE SLIDE BED IS INSERTED WITHIN 1/8" (3mm) OF GROOVE BOTTOM.

**TIP:**

A HELPER IS RECOMMENDED FOR THESE FOLLOWING STEPS.



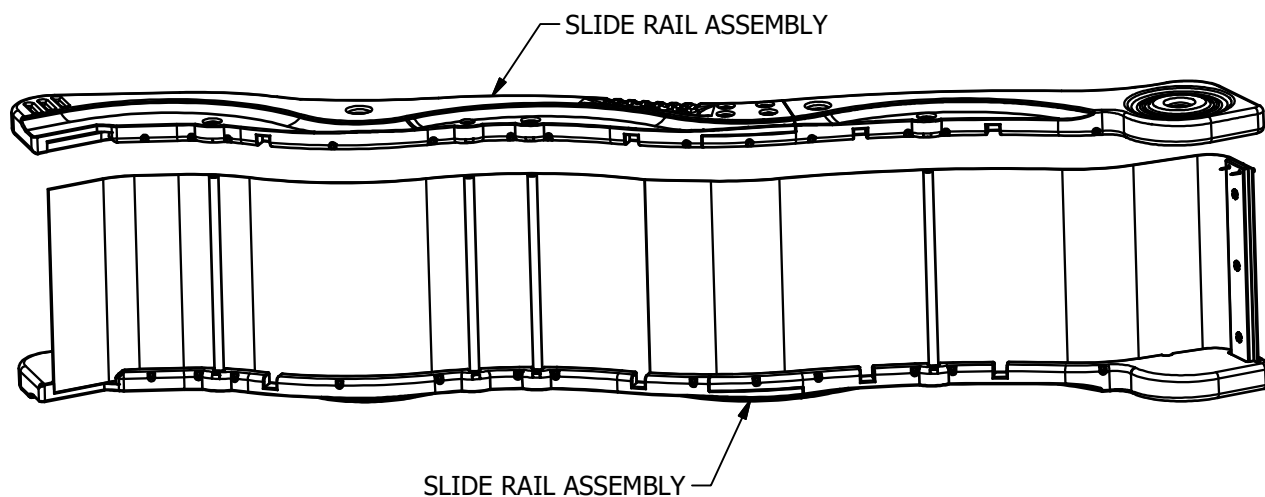


**NOTE:**

PLACE SECOND SLIDE RAIL ASSEMBLY OVER THE TOP OF THE SLIDE BED AND SLIDE SUPPORT TUBES. INSERT THE SLIDE BED AND SLIDE SUPPORT TUBES INTO THE SLIDE CAVITY. MAKE SURE SLIDE BED IS INSERTED WITHIN 1/8" (3mm) OF GROOVE BOTTOM.

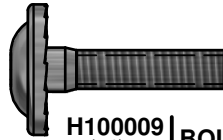


**FAILURE TO INSERT SLIDE BED PROPERLY MAY RESULT IN INJURY OR AMPUTATION. EXPOSED SLIDE EDGES CAN BE SHARP AND BECOME A LACERATION HAZARD IF THE SLIDE IS NOT PROPERLY ASSEMBLED.**



**TIP:**

USE A RUBBER Mallet TO FULLY SEAT THE SLIDE BED INTO THE SLIDE CAVITY.



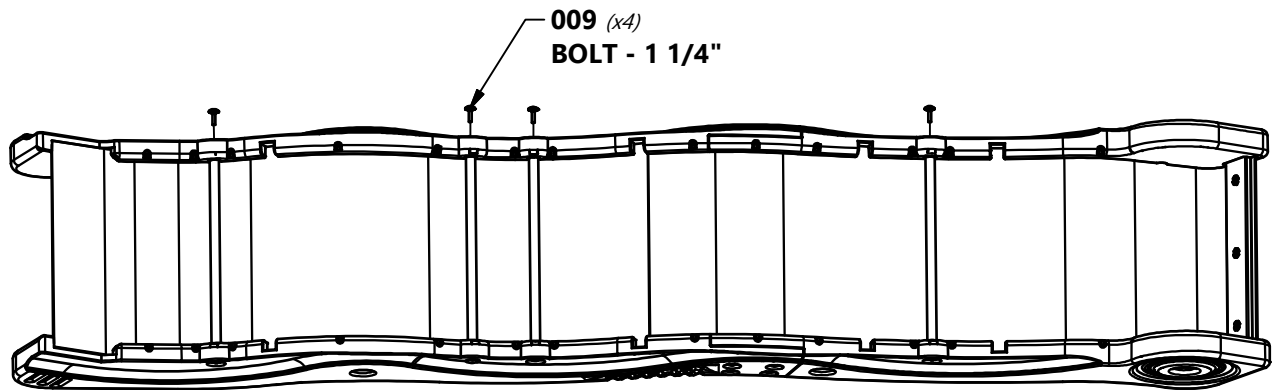
H100009 | BOLT WH 5/16x1 1/4  
(x4)



**NOTE:**  
USE 1 1/4" BOLTS TO FASTEN EACH  
SIDE OF THE SLIDE SUPPORT TUBES.



**TIP:**  
HAVING A HELPER HOLD THE SLIDE  
ASSEMBLY TOGETHER WHILE YOU FASTEN  
WILL MAKE IT EASIER TO ASSEMBLE.



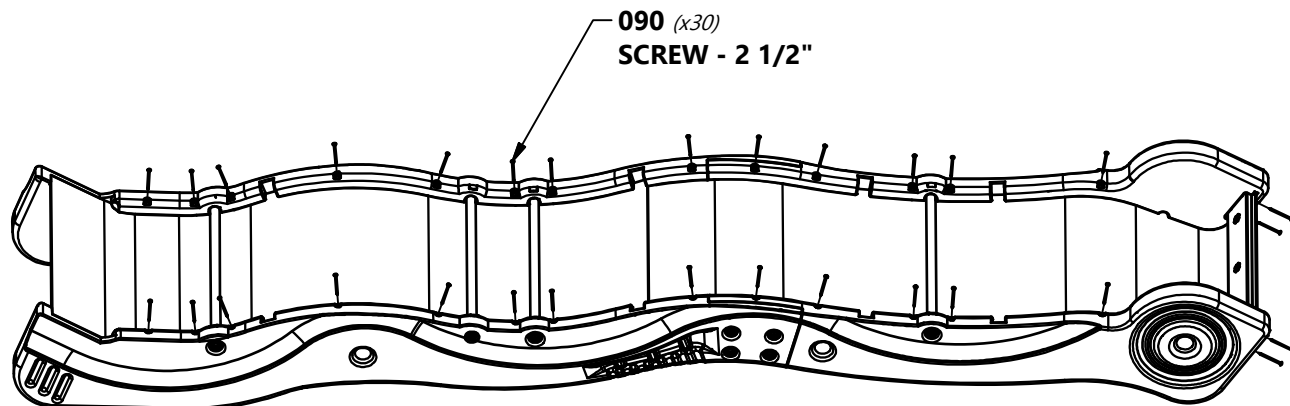


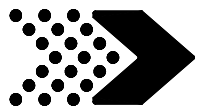
H100090 | SCREW PFH  
(x30) | 8x2 1/2"



**NOTE:**

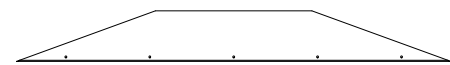
USING AN 1/8" DRILL BIT, DRILL PILOT HOLES IN EACH INDENTATION ALONG EACH SIDE RAIL. THERE SHOULD BE 15 INDENTATIONS ON EACH RAIL. BE SURE TO DRILL THROUGH THE SLIDE RAIL AND THE SLIDE BED. THEN SECURE WITH THE PROVIDED HARDWARE.



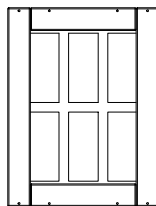


# BAY WINDOW ASSEMBLY

## STEP 1



**G5** | BAY WINDOW HEADER - W4L04659  
(4) 1"x5 1/4"x45 1/4" (24x134x1150)



**WP1** | BAY WINDOW PANEL - W2A01496  
(6) 7/8"x15 3/4"x20 3/4" (21x400x526)

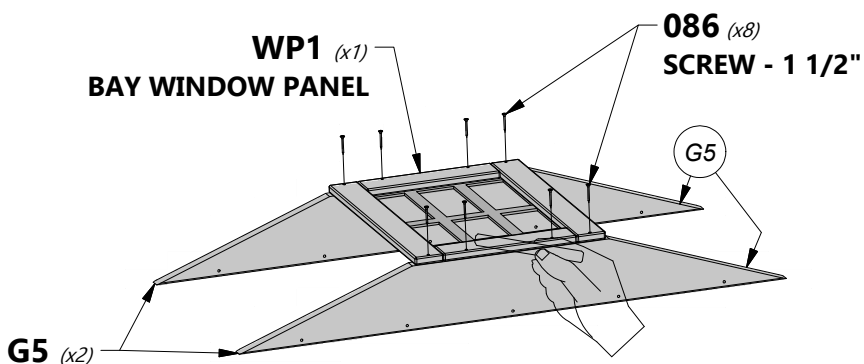


**H100086** | SCREW PFH  
(40) 8x1 1/2

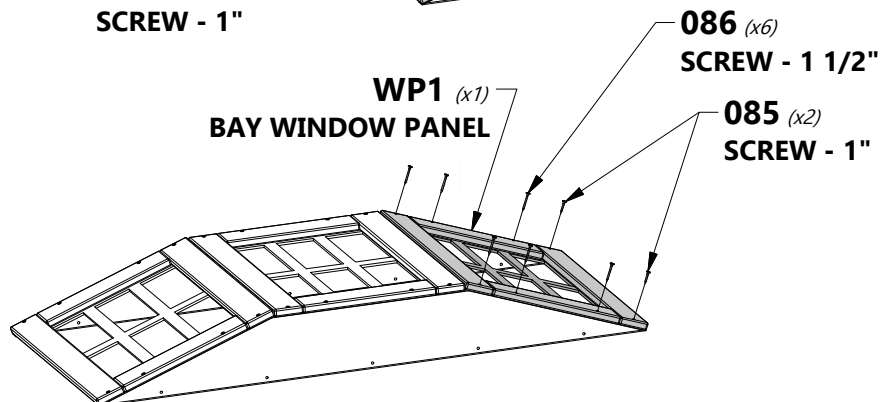
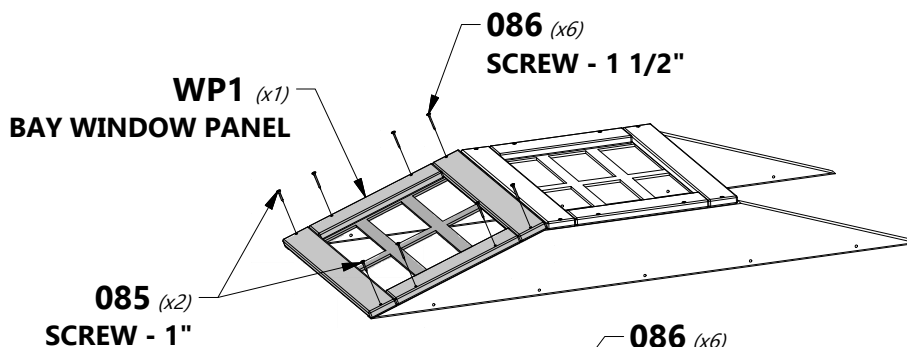


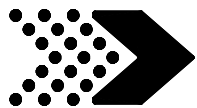
**H100085** | SCREW PFH  
(8) 8x1

**MAKE 2 WINDOW ASSEMBLIES.**



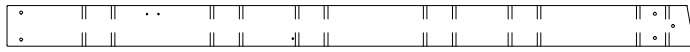
**NOTE:**  
MARK CENTERS ON EACH PART  
THEN ALIGN PARTS ON MARKS.



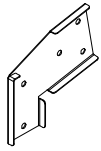


# SWING BEAM

# STEP 1



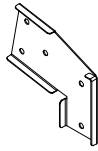
**A1** | SWING BEAM - W4L15890  
(1) | 3 3/8"x5 1/4"x89 1/2" (86x134x2274)



**A100325** | SWING BEAM  
(1) | EXTENSION  
BRACKET-LEFT



**A100140** | L BRACKET  
(2) | 66x66x127



**A100326** | SWING BEAM  
(1) | EXTENSION  
BRACKET-RIGHT



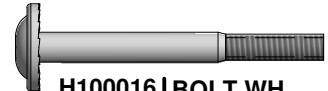
**H100054** | BOLT HEX  
(2) | 5/16x4 1/4



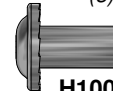
**H100110** | NUT LOCK  
(2) | 5/16



**H100105** | WASHER FLAT  
(4) | 8x27



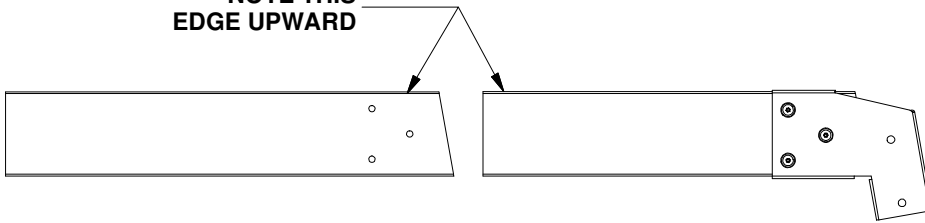
**H100016** | BOLT WH  
(3) | 5/16x3



**H100005** | NUT BARREL WH  
(3) | 5/16x7/8



**NOTE THIS  
EDGE UPWARD**



**140 (x2)**  
L BRACKET 66x66x127

**110 (x2)**  
NUT - 5/16"

**105 (x2)**  
WASHER - 8x27

**105 (x2)**  
WASHER - 8x27

**054 (x2)**  
BOLT - 4 1/4"

**A1 (x1)**

**005 (x3)**  
NUT BARREL - 7/8"

**016 (x3)**  
BOLT - 3"



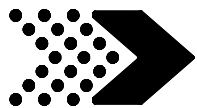
**DO NOT TIGHTEN BRACKET  
HARDWARE AT THIS TIME**

**325 (x1)**

**SWING BEAM EXTENSION BRACKET-LEFT**

**326 (x1)**

**SWING BEAM EXTENSION BRACKET-RIGHT**



# SWING BEAM

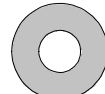
# STEP 2



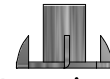
**H100654** | BOLT HEX  
(12) | 3/8x5-1/2



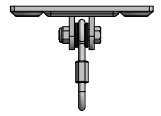
**H100107** | WASHER LOCK  
(12) | INT  
10x18



**H100102** | WASHER FLAT  
(12) | 11x25



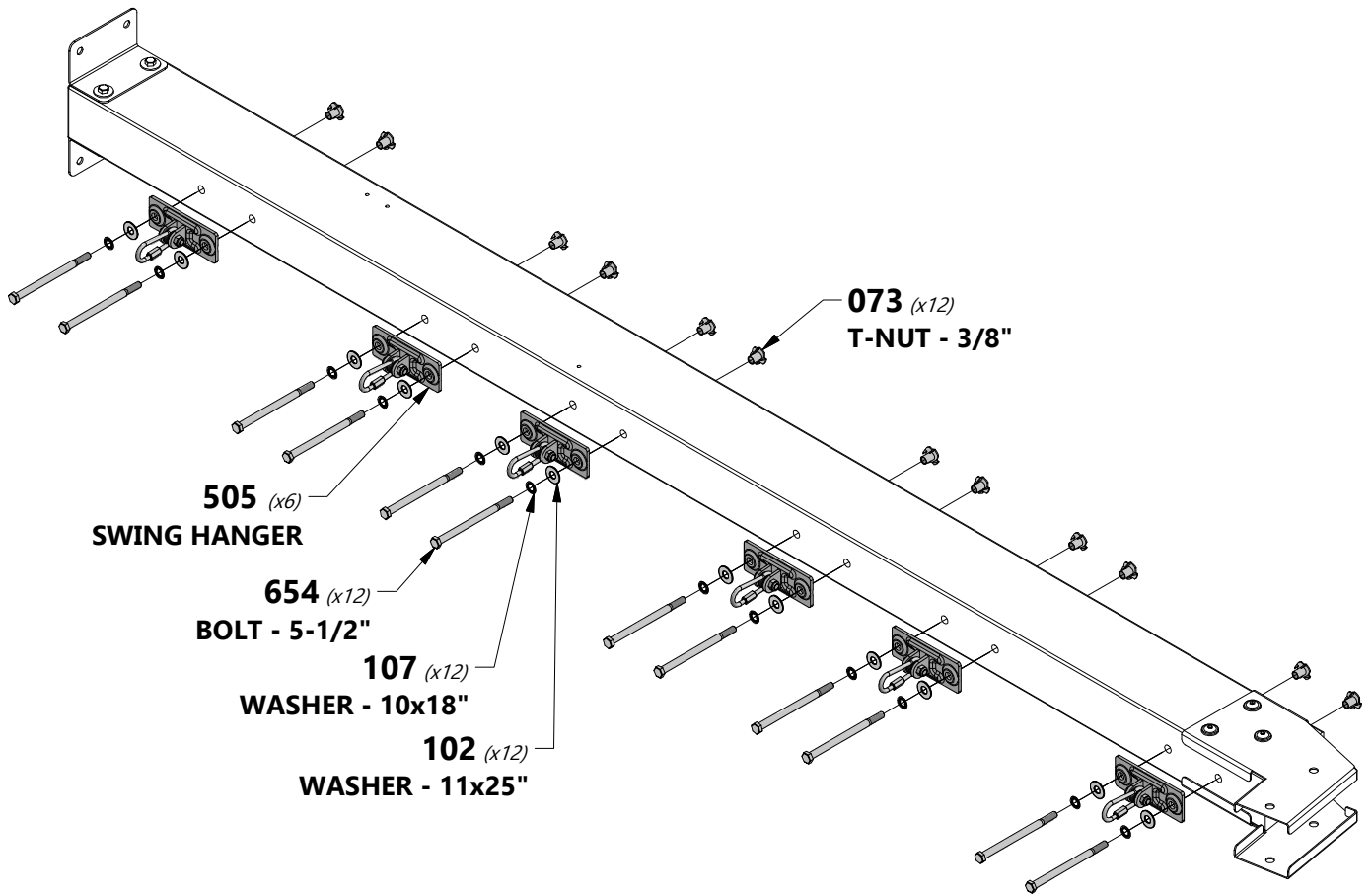
**H100073** | T-NUT  
(12) | 3/8

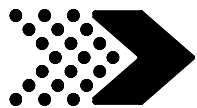


**A4M00505** | SWING HANGER  
(6)



**TIP:**  
INSTALL T-NUTS INTO  
BOARDS BEFORE ASSEMBLY.



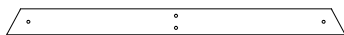


# SWING BEAM

## STEP 3



**SP1 | SWING BEAM SUPPORT - W4L15891**  
(1) | 3 3/8"x3 3/8"x48 3/8" (86x86x1229)



**E50 | END SUPPORT - W4L15893**  
(1) | 1 3/8"x3 3/8"x44 1/8" (36x86x1120)



**A4M01169 | A-FRAME BRACKET**  
(1)



**H100019 | BOLT WH**  
(2) | 5/16x3 3/4



**H100005 | NUT BARREL WH**  
(2) | 5/16x7/8



**H100016 | BOLT WH**  
(2) | 5/16x3



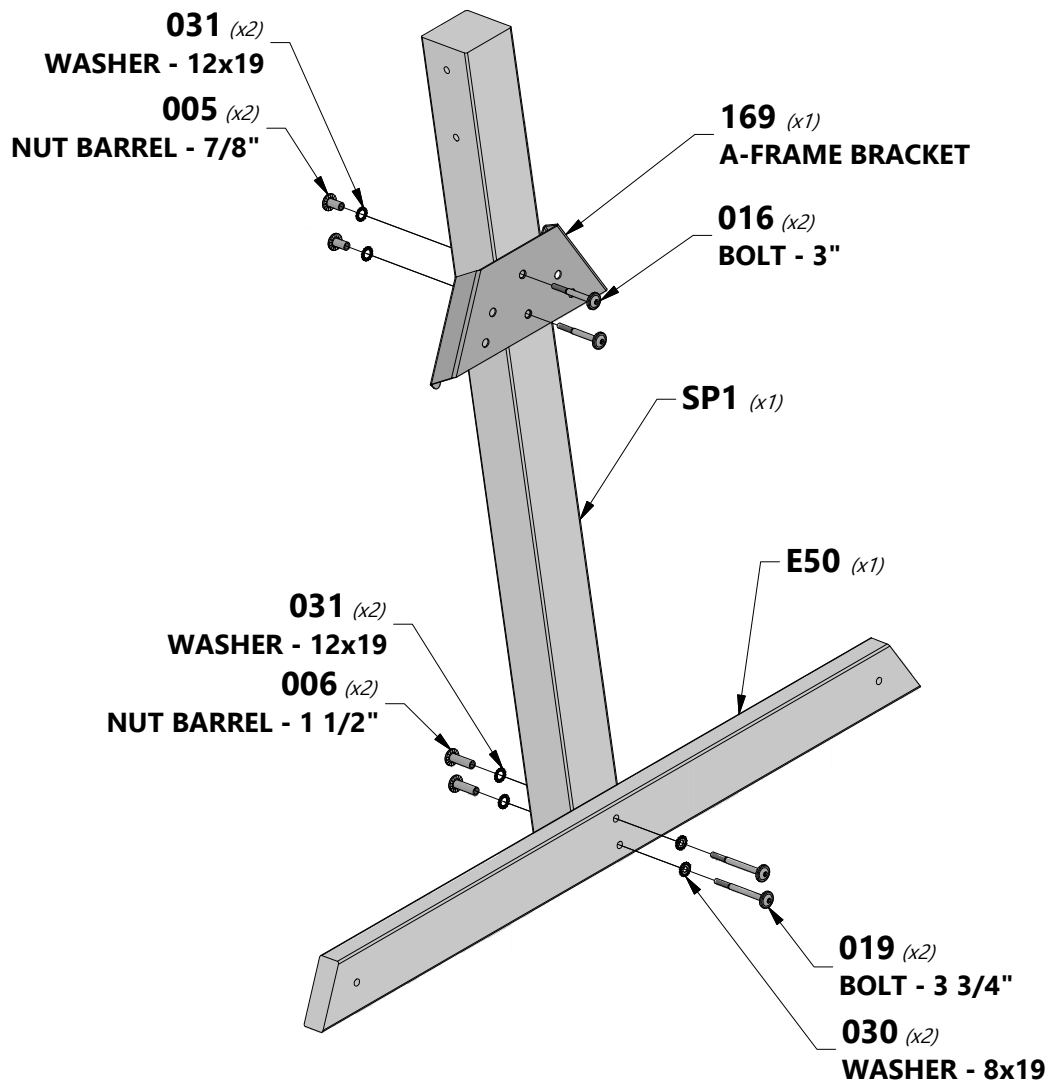
**H100006 | NUT BARREL WH**  
(2) | 5/16x1 1/2

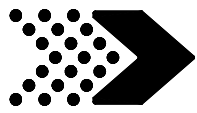


**H100031 | WASHER LOCK EXT**  
(4) | 12x19



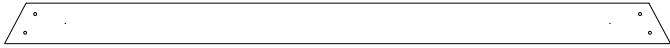
**H100030 | WASHER LOCK EXT**  
(2) | 8x19



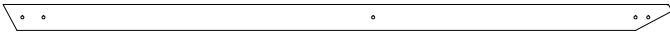


# SWING BEAM

# STEP 4



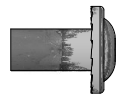
**G08** | GROUND BOARD - W4L15894  
(1) | 1"x5 1/4"x86 3/4" (24x134x2202)



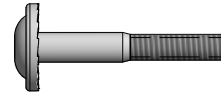
**E7** | ANGLE BRACE - W4L15892  
(2) | 1 3/8"x3 3/8"x87 1/8" (36x86x2212)



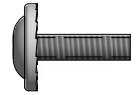
**H100014** | BOLT WH  
(2) | 5/16x2 1/2



**H100005** | NUT BARREL WH  
(10) | 5/16x7/8



**H100012** | BOLT WH  
(4) | 5/16x2



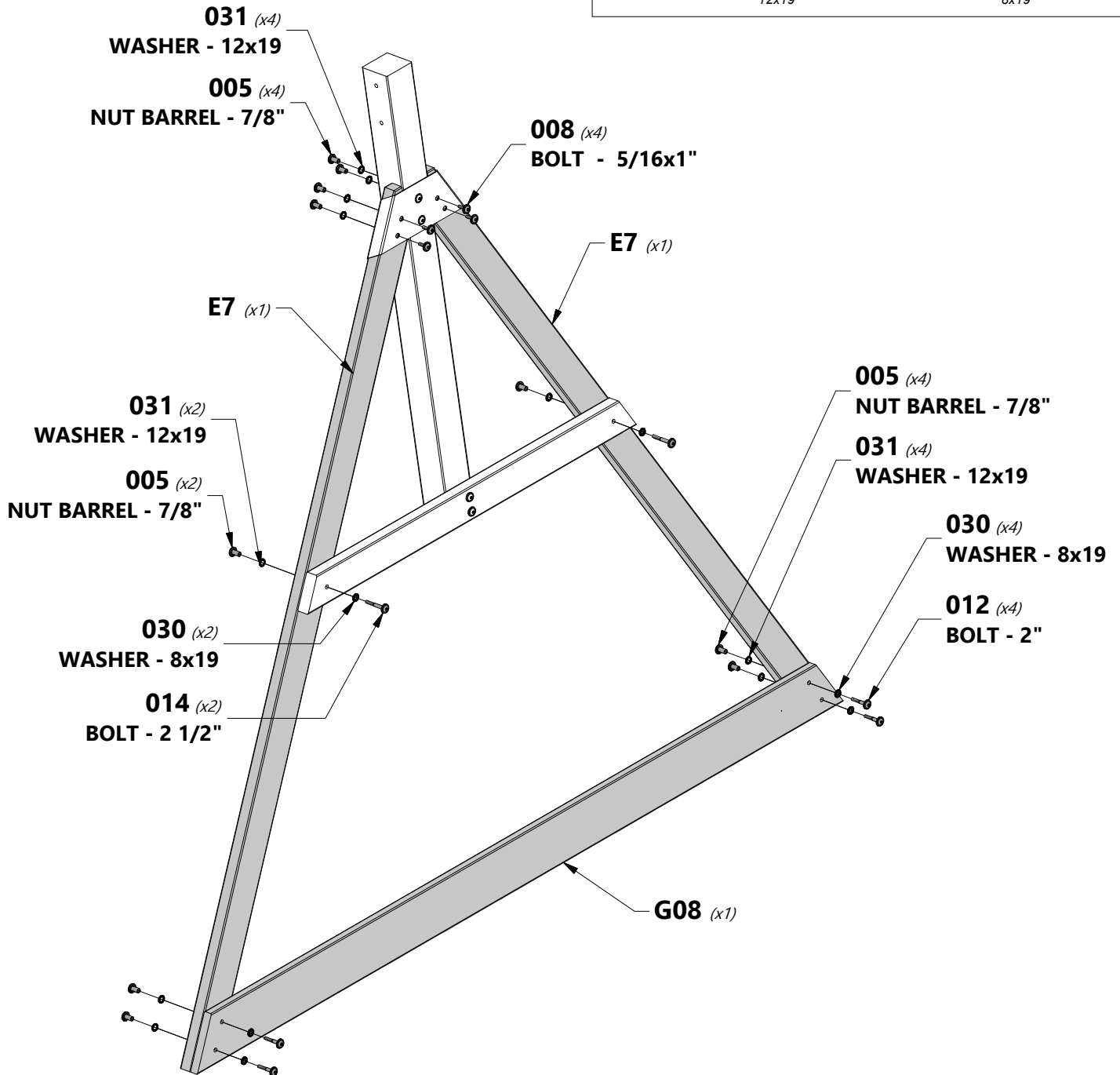
**H100008** | BOLT WH  
(4) | 5/16x1

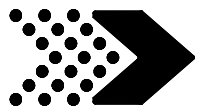


**H100031** | WASHER LOCK  
(10) | EXT  
12x19



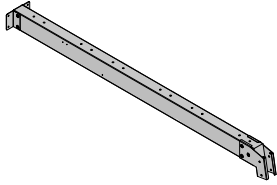
**H100030** | WASHER LOCK  
(6) | EXT  
8x19



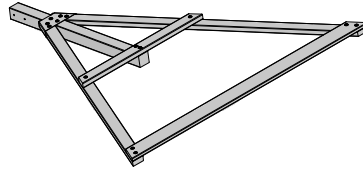


# SWING BEAM

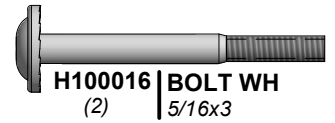
## STEP 5



(1) BEAM ASSEMBLY



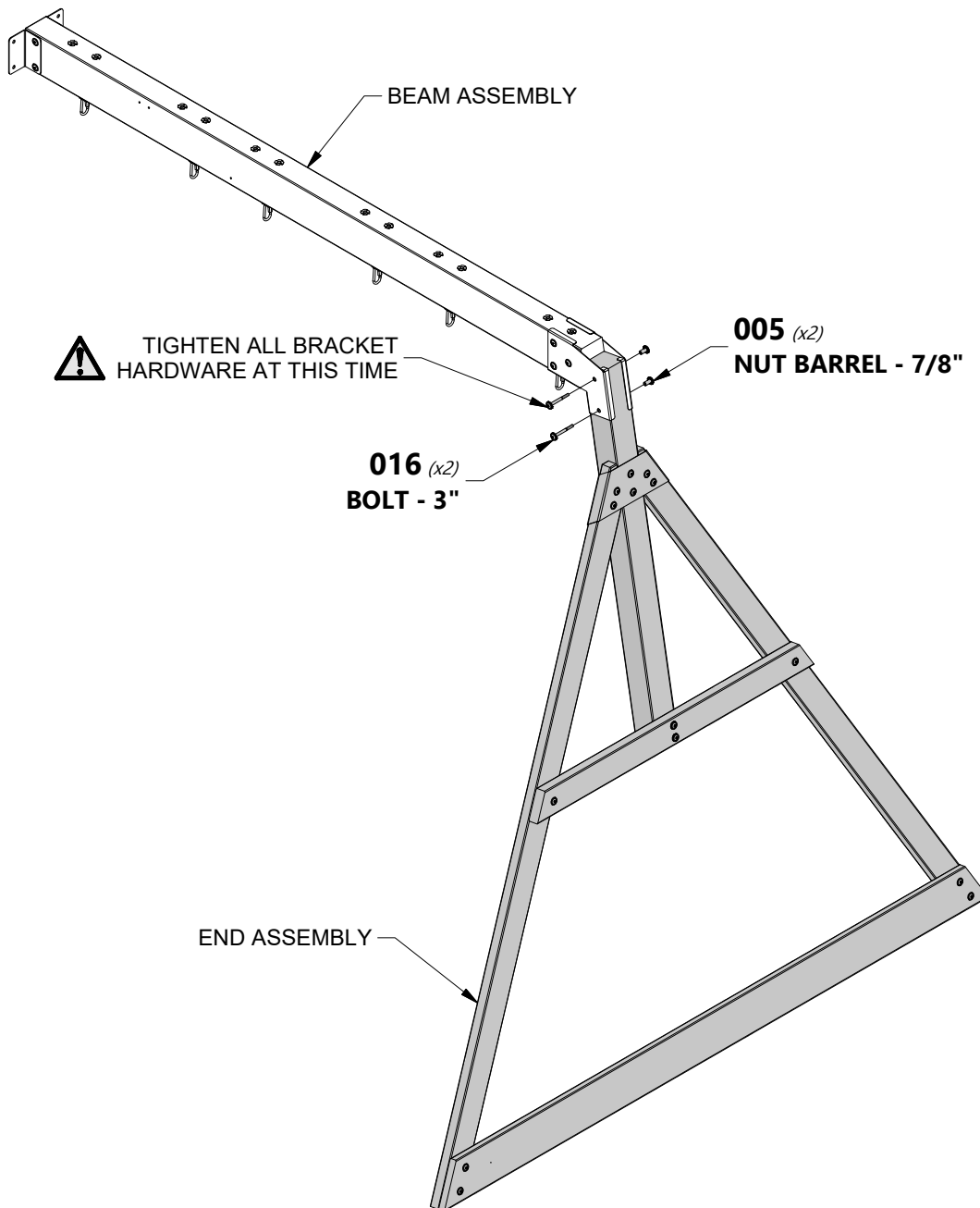
(1) END ASSEMBLY

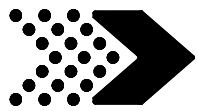


**H100016** | BOLT WH  
(2) | 5/16x3



**H100005** | NUT BARREL WH  
(2) | 5/16x7/8





# PORCH ROOF

# STEP 1



(4) **H20 - PORCH ROOF RAFTER - W4L04655**  
1"x3 3/8"x24 1/2" (24x86x622)

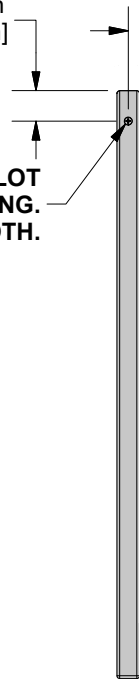


**H100091 | SCREW PFH**  
(2) | 8X2 1/4



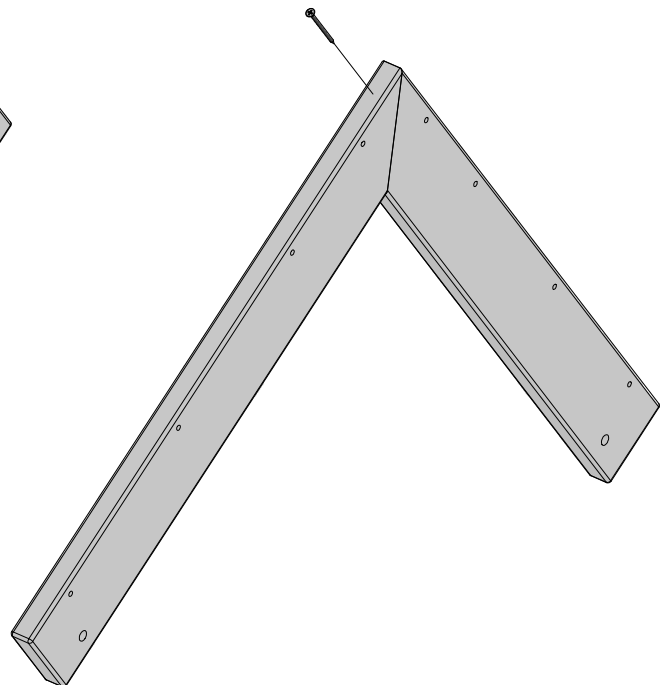
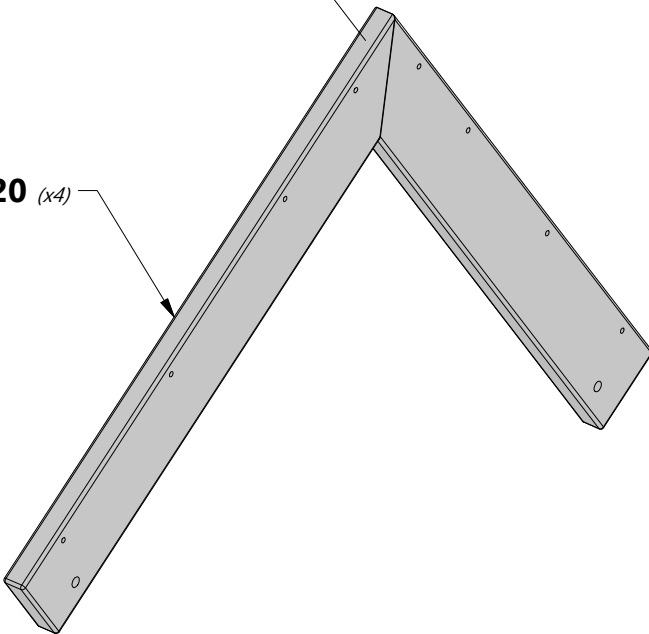
**NOTE:**  
USING A 3/16" DRILL BIT, MARK AND DRILL A PILOT HOLE INTO 'H20' RAFTER TO PREVENT SPLITTING.  
ONLY DRILL THROUGH ONE RAFTER NOT BOTH.

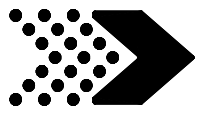
1 1/4 in [32 mm]      1/2 in [12 mm]



**091 (x2)**  
SCREW - 2 1/4"

**H20 (x4)**





# PORCH ROOF

# STEP 2

**M19** FRONT PORCH ROOF SUPPORT -  
W4L04658  
(1) 5/8"x3 3/8"x30 5/8" (16x86x779)



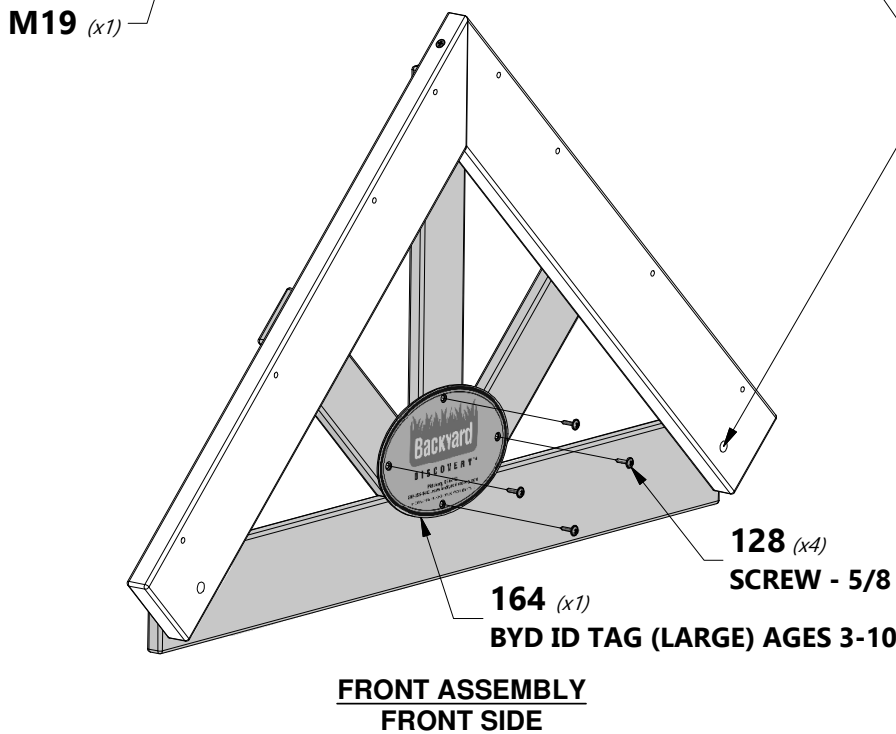
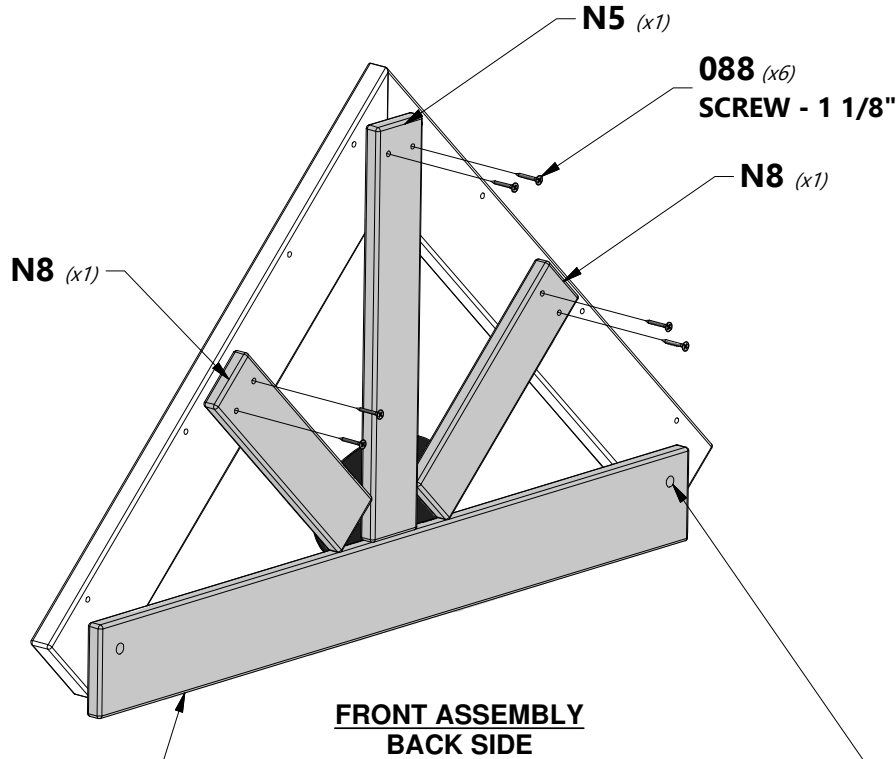
**A100164** BYD ID TAG (LARGE) AGES 3-10  
(1)

**N8** FRONT PORCH GABLE TRIM -  
W4L04657  
(2) 5/8"x2 3/8"x9 1/2" (16x60x241)

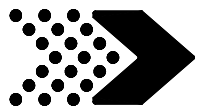
**N5** FRONT PORCH GABLE TRIM -  
W4L04656  
(1) 5/8"x2 3/8"x15" (16x60x381)

**H100088** SCREW PFH  
(6) 8x1 1/8

**H100128** SCREW PWH  
(4) 8x5/8

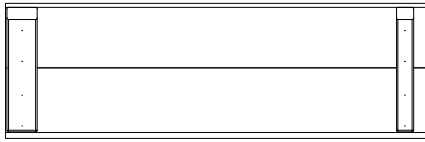


**ENSURE THAT  
HOLES ARE ALIGNED  
(BOTH ENDS)**

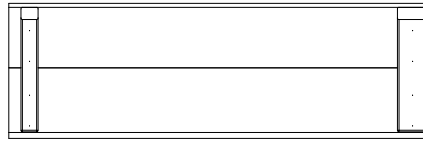


# PORCH ROOF

## STEP 3



**RP1** | LEFT PORCH PEAK ROOF PANEL - W2A02630  
(1) | 1 5/8"x10 1/2"x32 7/8" (42x268x834)

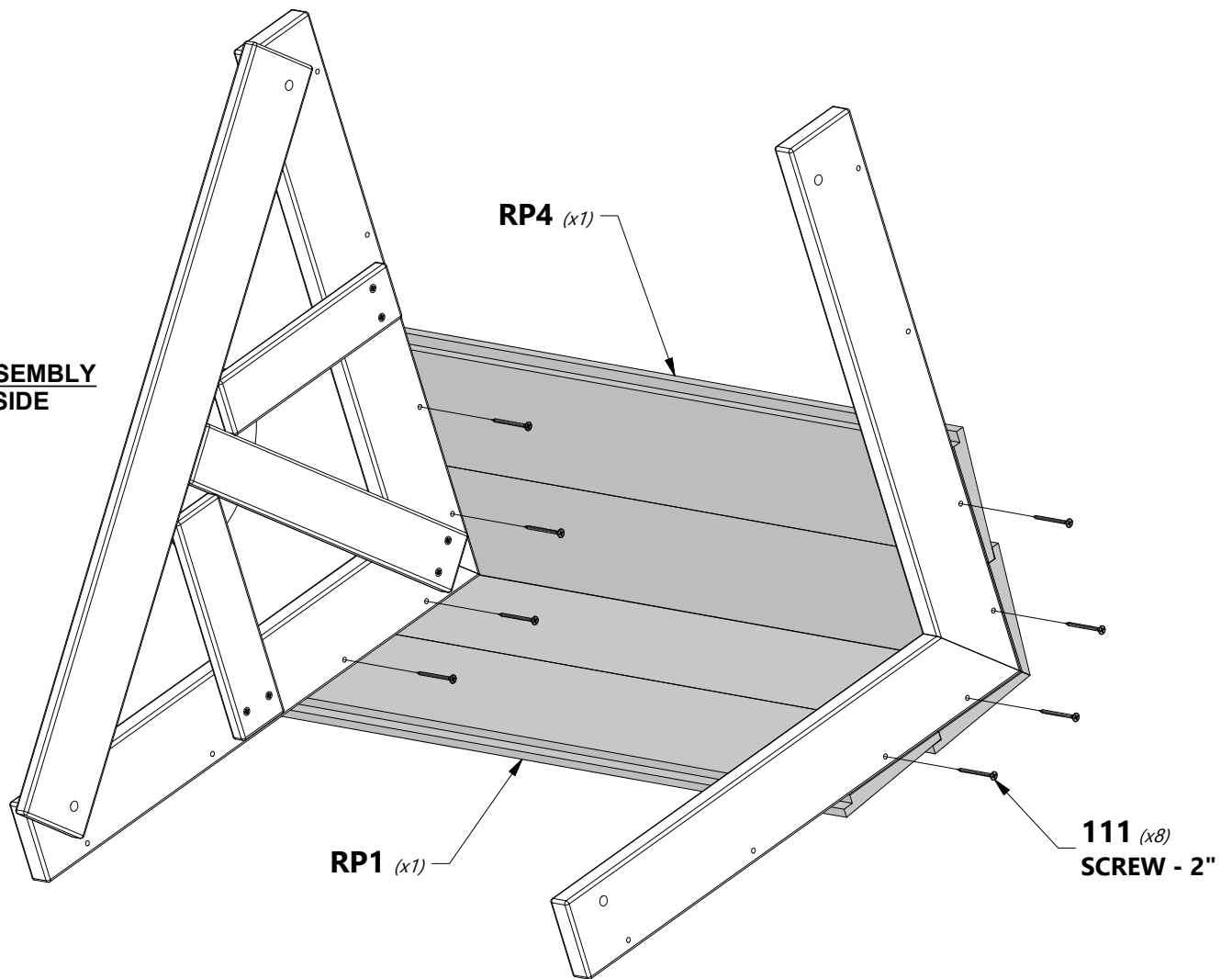


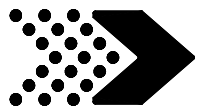
**RP4** | RIGHT PORCH PEAK ROOF PANEL - W2A02631  
(1) | 1 5/8"x10 1/2"x32 7/8" (42x268x834)



**H100111** | SCREW PFH  
(8) | 8x2

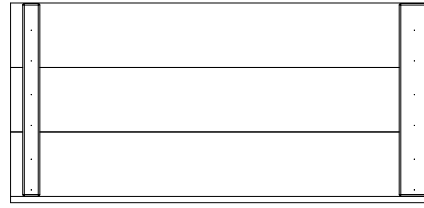
**FRONT ASSEMBLY  
BACK SIDE**





# PORCH ROOF

# STEP 4

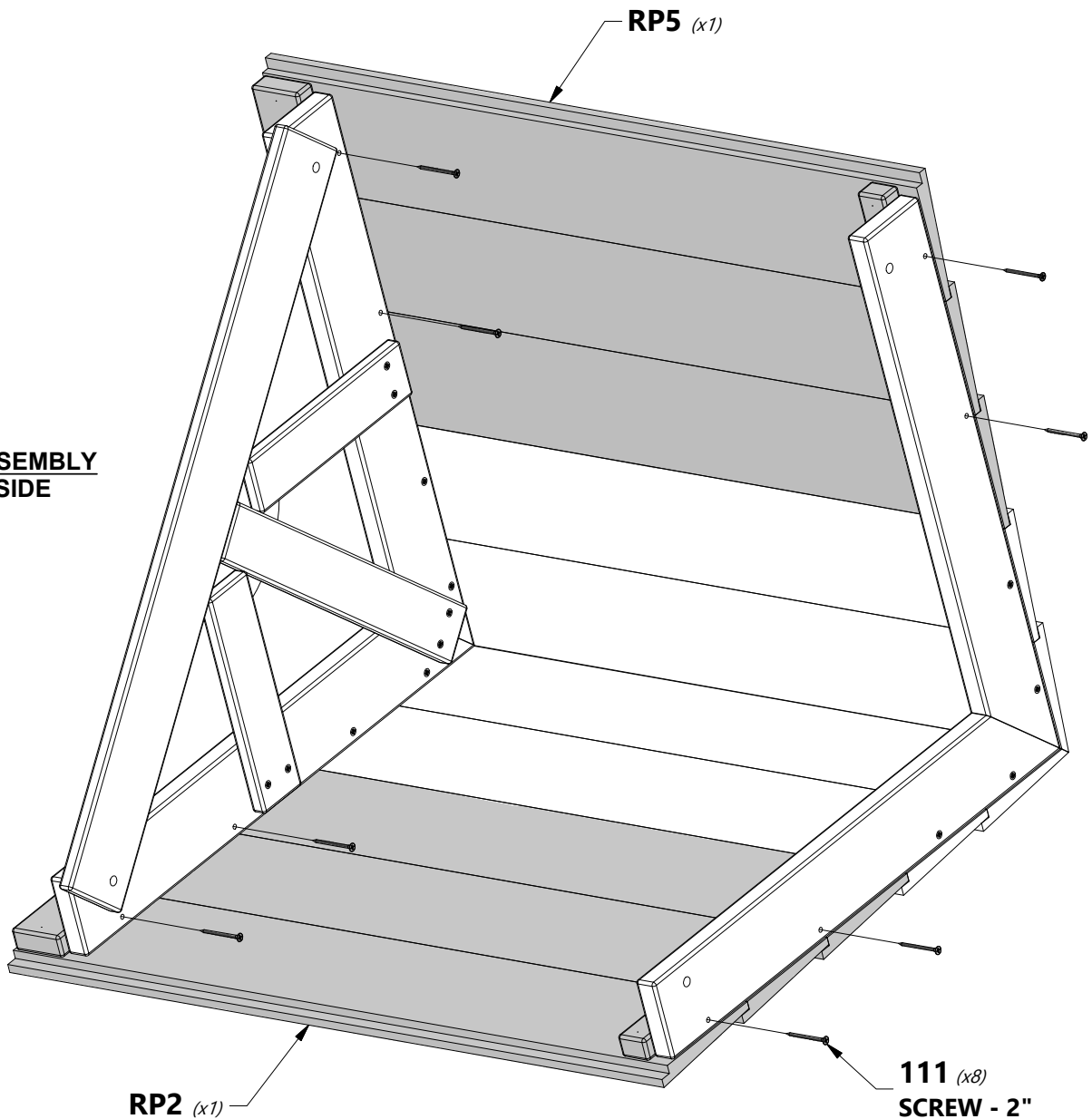


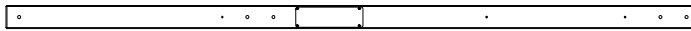
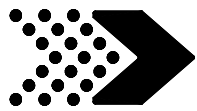
**H100111 | SCREW PFH**  
(8) | 8x2

**RP2 | LEFT PORCH ROOF PANEL - W2A02628**  
(1) | 1 5/8"x15 5/8"x32 7/8" (42x396x834)

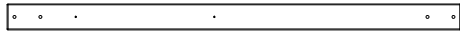
**RP5 | RIGHT PORCH ROOF PANEL - W2A02629**  
(1) | 1 5/8"x15 5/8"x32 7/8" (42x396x834)

**FRONT ASSEMBLY**  
**BACK SIDE**





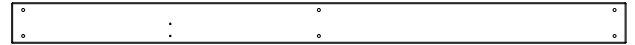
**B1** | TOWER LEG - W2A03355  
(1) | 3"x3"x89 1/2" (76x76x2274)



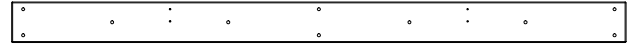
**E1** | TOWER LEG - W4L04563  
(1) | 1 3/8"x3 3/8"x59" (36x86x1500)



**B3** | TOWER LEG - W4L04564  
(1) | 3"x3"x59" (76x76x1500)



**G7** | BOTTOM FLOOR RAIL - W4L11775  
(1) | 1"x5 1/4"x80" (24x134x2032)



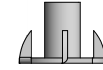
**G1** | TOP FLOOR RAIL - W4L04566  
(1) | 1"x5 1/4"x80" (24x134x2032)



**H100019** | BOLT WH  
(8) | 5/16x3 3/4



**H100013** | BOLT WH  
(4) | 5/16x2 1/4



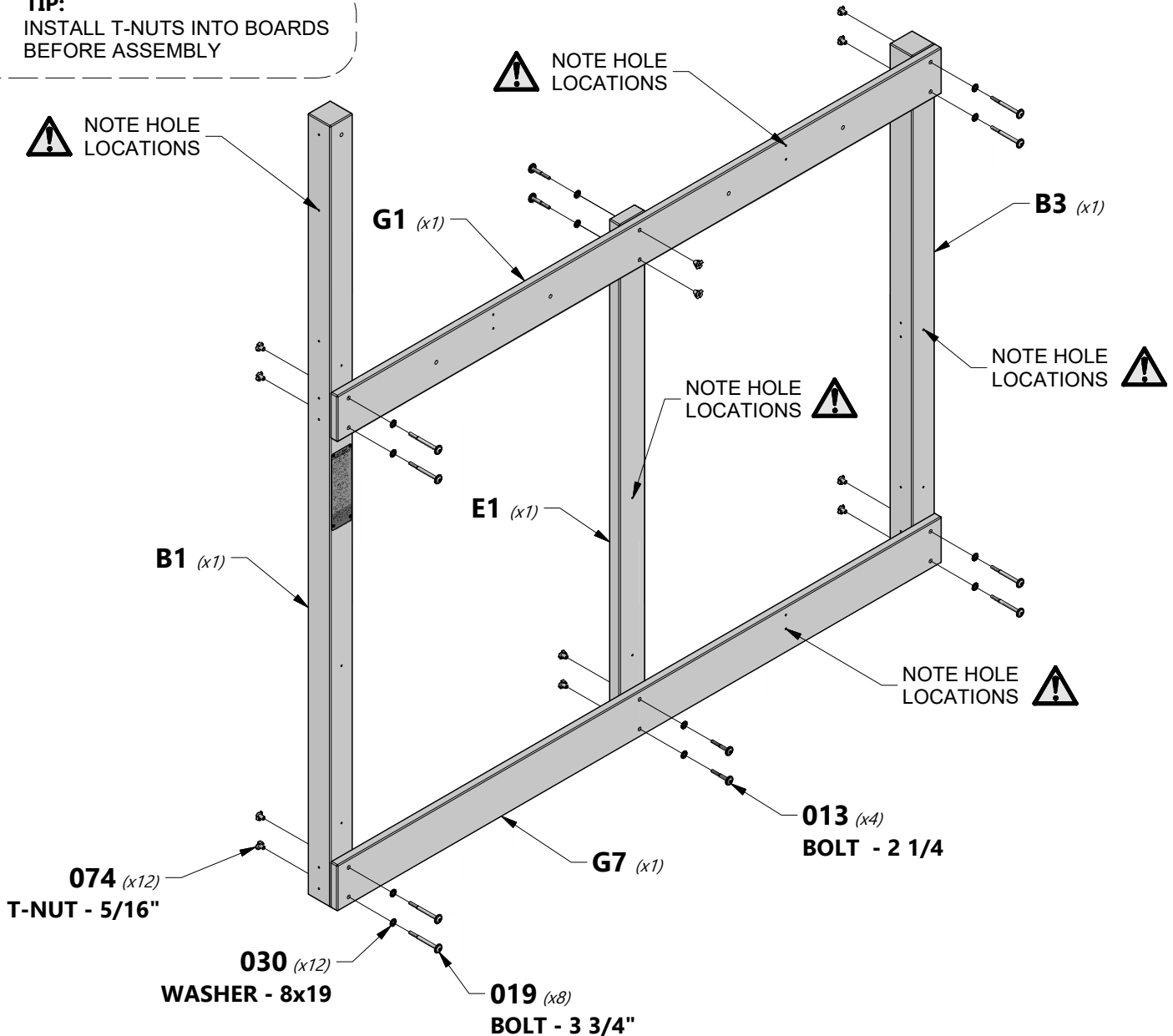
**H100074** | T-NUT  
(12) | 5/16

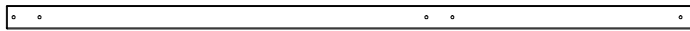
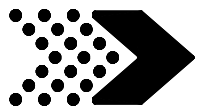


**H100030** | WASHER LOCK  
EXT  
(12) | 8x19

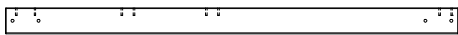


**TIP:**  
INSTALL T-NUTS INTO BOARDS  
BEFORE ASSEMBLY

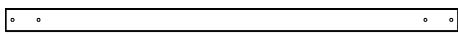




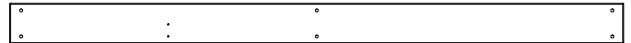
**B2** | TOWER LEG - W4L04561  
(1) | 3"x3"x89 1/2" (76x76x2274)



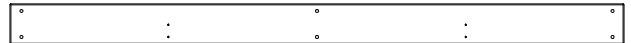
**E2** | TOWER LEG - W4L04567  
(1) | 1 3/8"x3 3/8"x59" (36x86x1500)



**B4** | TOWER LEG - W4L04568  
(1) | 3"x3"x59" (76x76x1500)



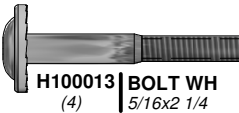
**G7** | BOTTOM FLOOR RAIL - W4L11775  
(1) | 1"x5 1/4"x80" (24x134x2032)



**G2** | TOP FLOOR RAIL - W4L04569  
(1) | 1"x5 1/4"x80" (24x134x2032)



**H100019** | BOLT WH  
(8) | 5/16x3 3/4



**H100013** | BOLT WH  
(4) | 5/16x2 1/4



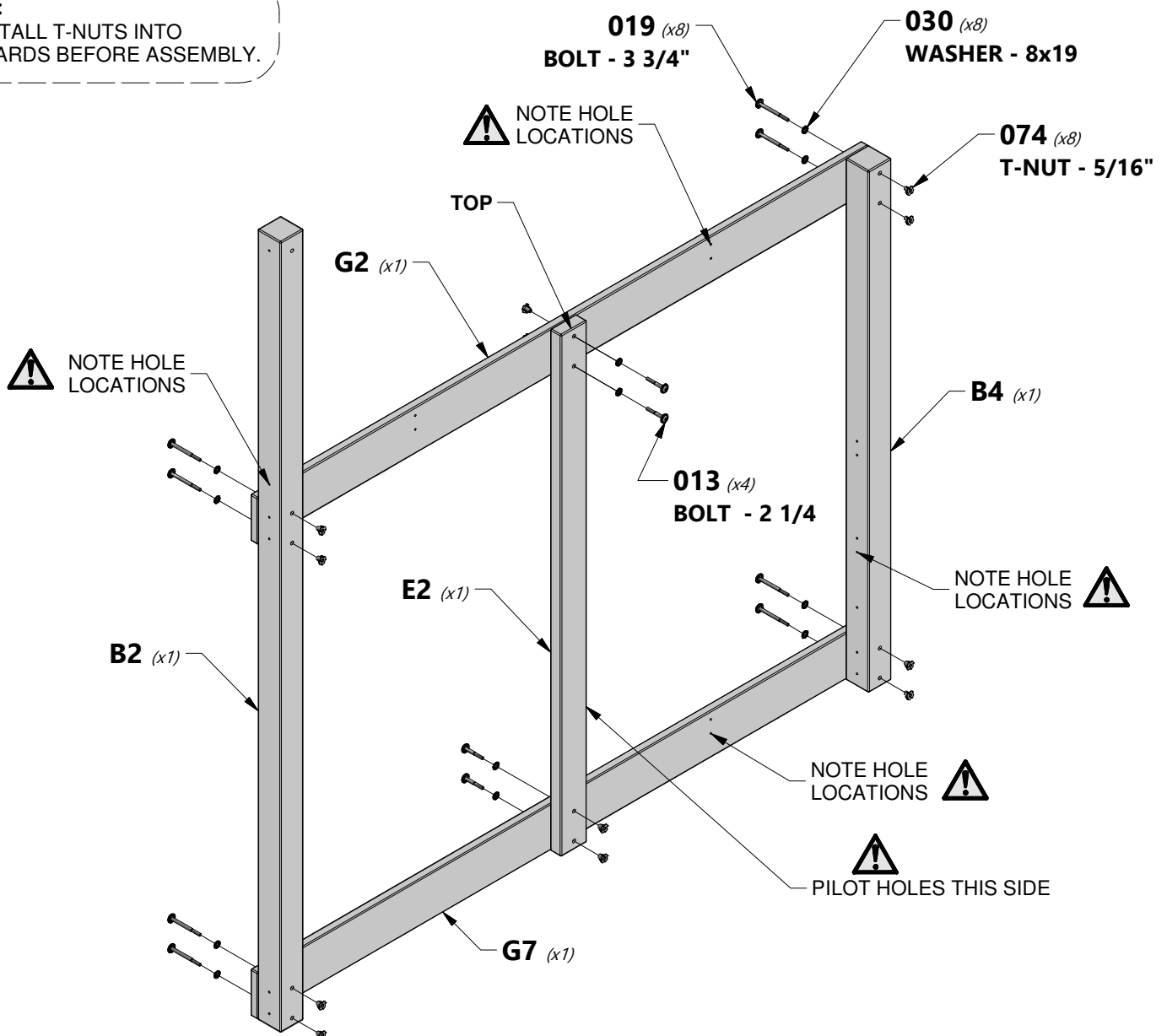
**H100030** | WASHER LOCK EXT  
(12) | 8x19

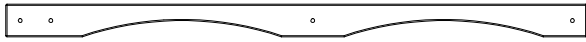
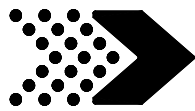


**H100074** | T-NUT  
(12) | 5/16



**TIP:**  
INSTALL T-NUTS INTO  
BOARDS BEFORE ASSEMBLY.





**H28** | FRONT WALL RAIL - W4L11774  
(1) | 1"x3 3/8"x60 1/2" (24x86x1537)



**G3** | FLOOR RAIL - W4L04571  
(1) | 1"x5 1/4"x60 1/2" (24x134x1537)



**G6** | FLOOR RAIL - W4L11777  
(1) | 1"x5 1/4"x60 1/2" (24x134x1537)



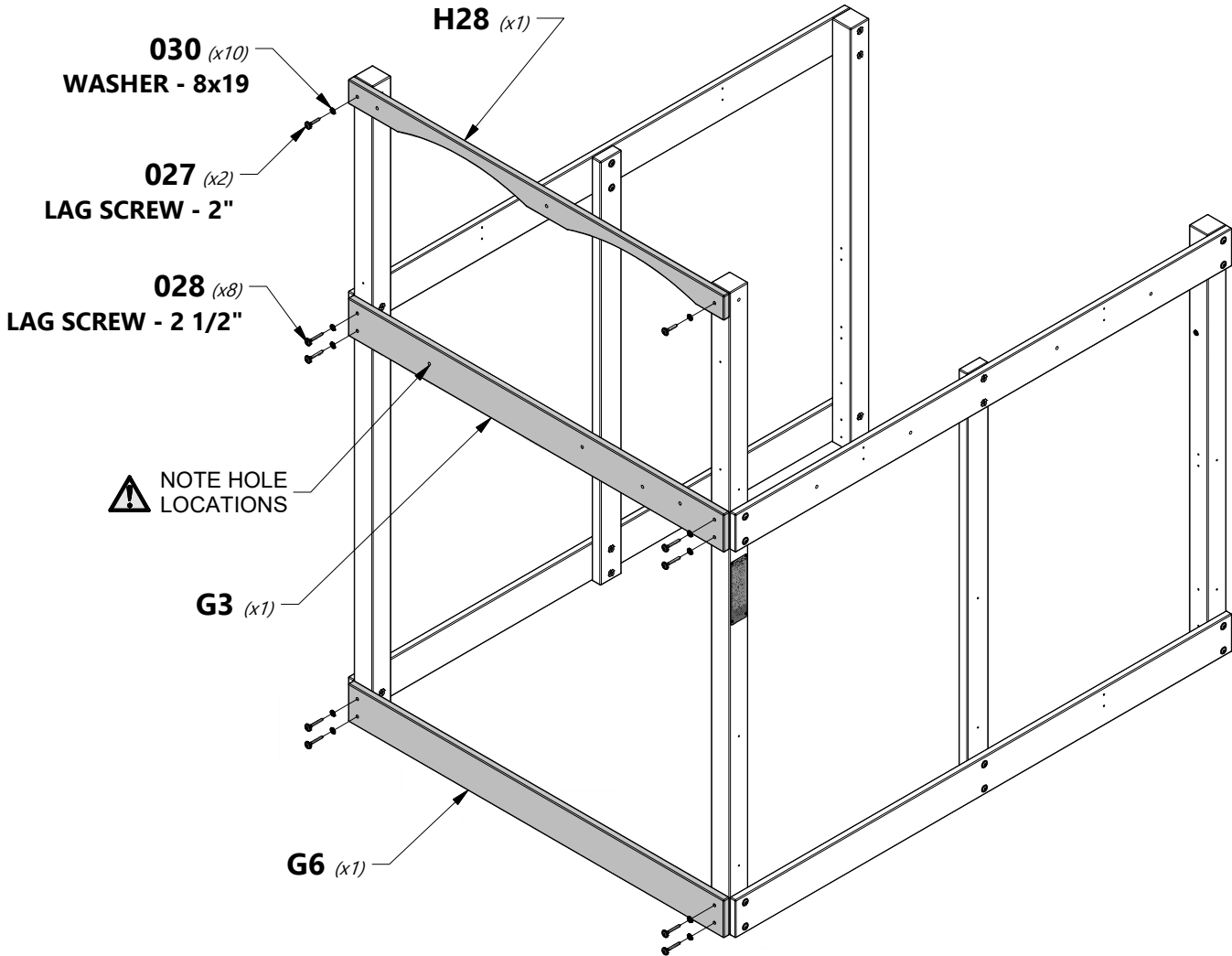
**H100028** | LAG SCREW WH  
(8) | 5/16x2 1/2

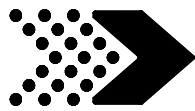


**H100027** | LAG SCREW WH  
(2) | 5/16x2



**H100030** | WASHER LOCK  
(10) | EXT  
8x19





**G4** | FLOOR RAIL - W4L04675  
(1) | 1"x5 1/4"x60 1/2" (24x134x1537)



**K2** | FLOOR RAIL - W4L04570  
(1) | 5/8"x5 1/4"x60 1/2" (16x134x1537)



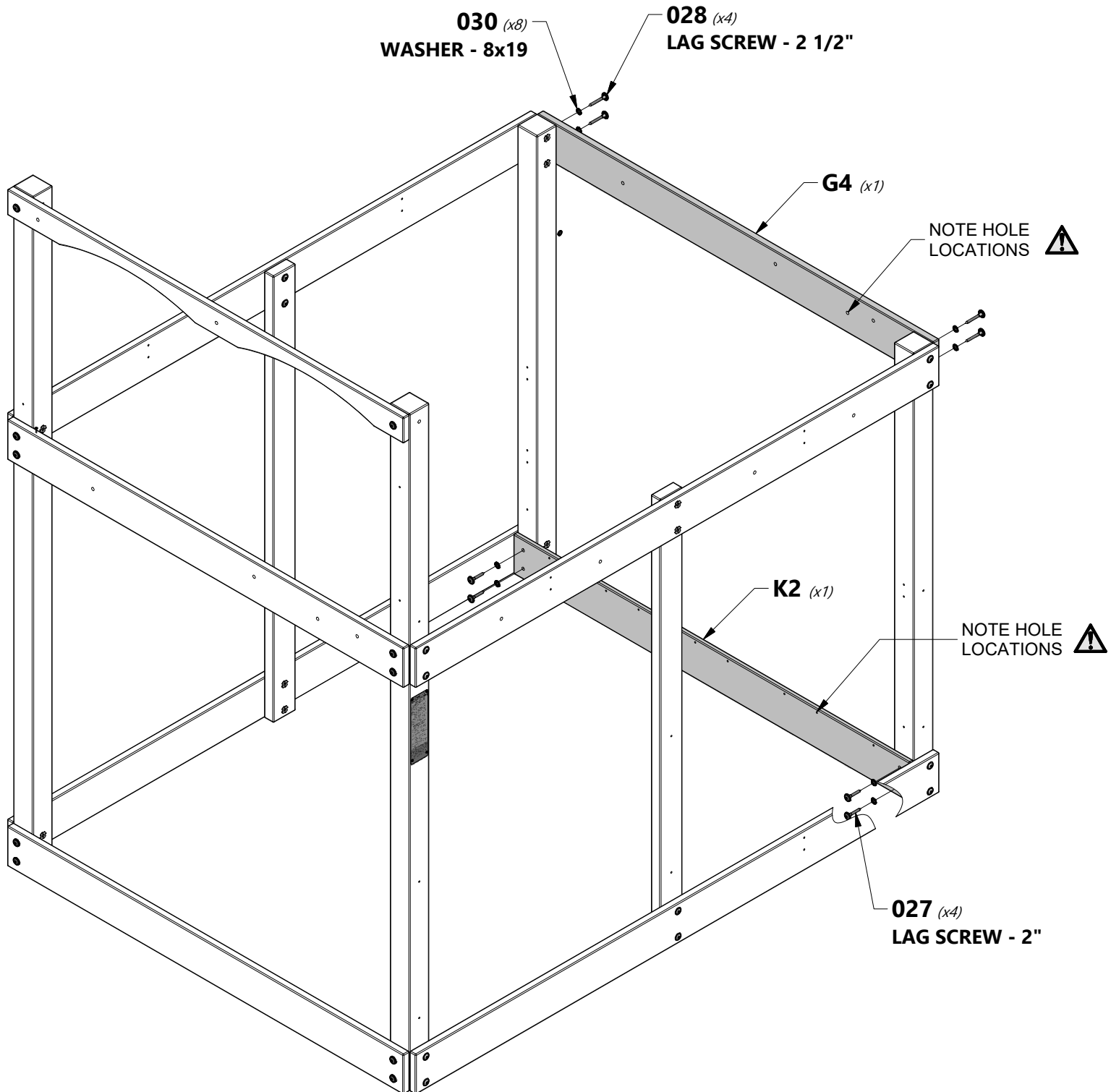
**H100030** | WASHER LOCK  
(8) | EXT  
8x19

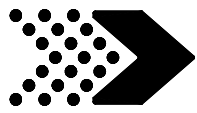


**H100027** | LAG SCREW WH  
(4) | 5/16x2



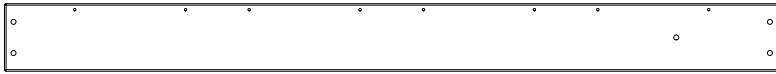
**H100028** | LAG SCREW WH  
(4) | 5/16x2 1/2





# FORT ASSEMBLY

# STEP 5



**K3** | FLOOR RAIL - W4L04572  
(1) | 5/8"x5 1/4"x60 1/2" (16x134x1537)



**H26** | FLOOR JOIST - W4L04573  
(1) | 1"x3 3/8"x60 1/2" (24x86x1537)



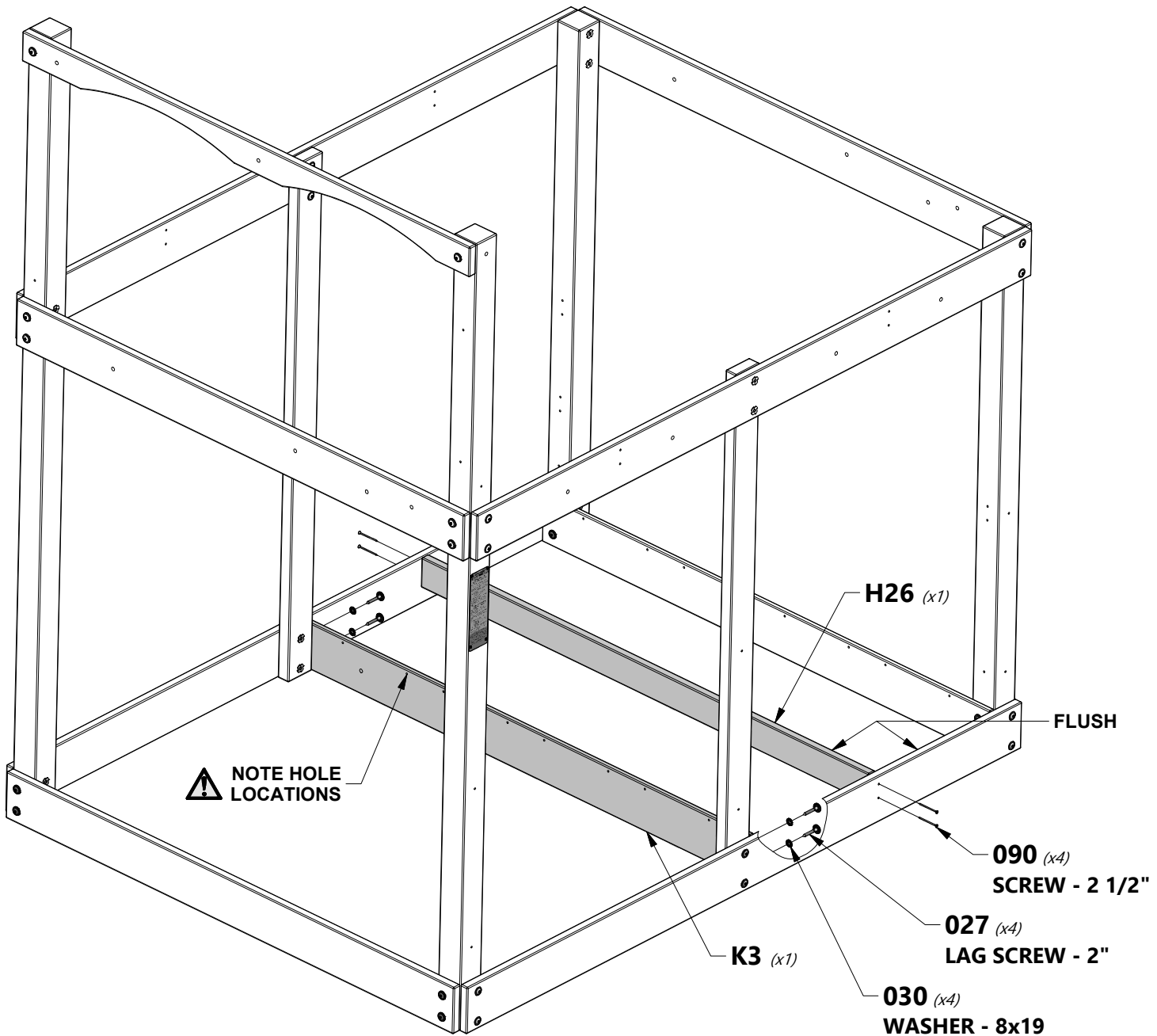
**H100027** | LAG SCREW WH  
(4) | 5/16x2

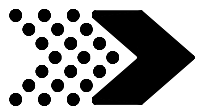


**H100030** | WASHER LOCK  
(4) | EXT  
8x19



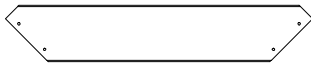
**H100090** | SCREW PFH  
(4) | 8x2 1/2"





# FORT ASSEMBLY

# STEP 6



**L2** | SAND BOX SEAT - W4L11776  
(2) | 5/8"x4 3/8"x24" (16x112x610)



**H27** | PICNIC TABLE SUPPORT - W4L04574  
(1) | 1"x3 3/8"x28 5/8" (24x86x728)



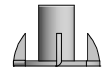
**H100086** | SCREW PFH  
(8) | 8x1 1/2



**H100010** | BOLT WH  
(1) | 5/16x1-1/2



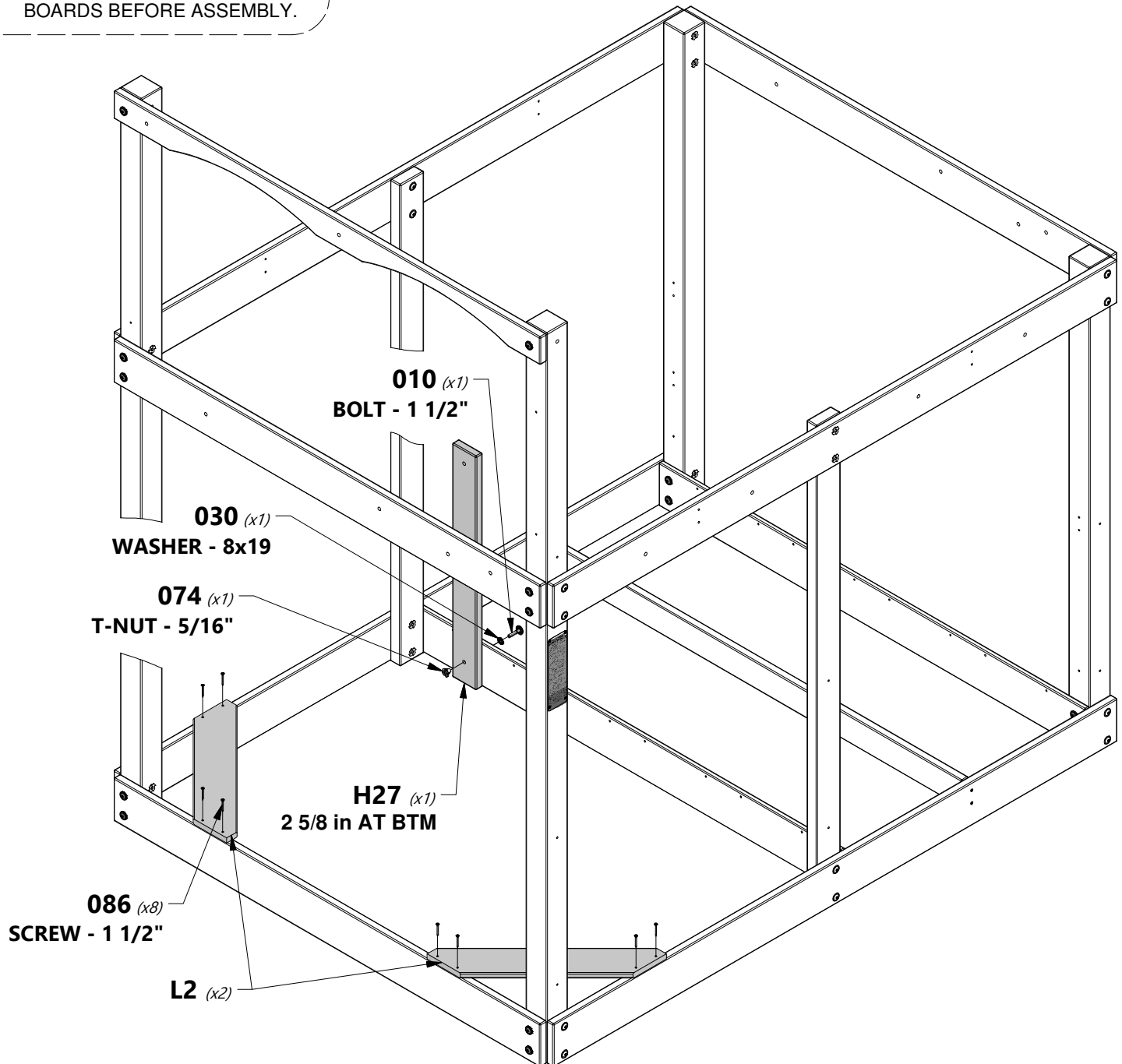
**H100030** | WASHER LOCK  
(1) | EXT  
8x19

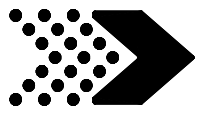


**H100074** | T-NUT  
(1) | 5/16

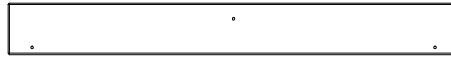


**TIP:**  
INSTALL T-NUTS INTO  
BOARDS BEFORE ASSEMBLY.





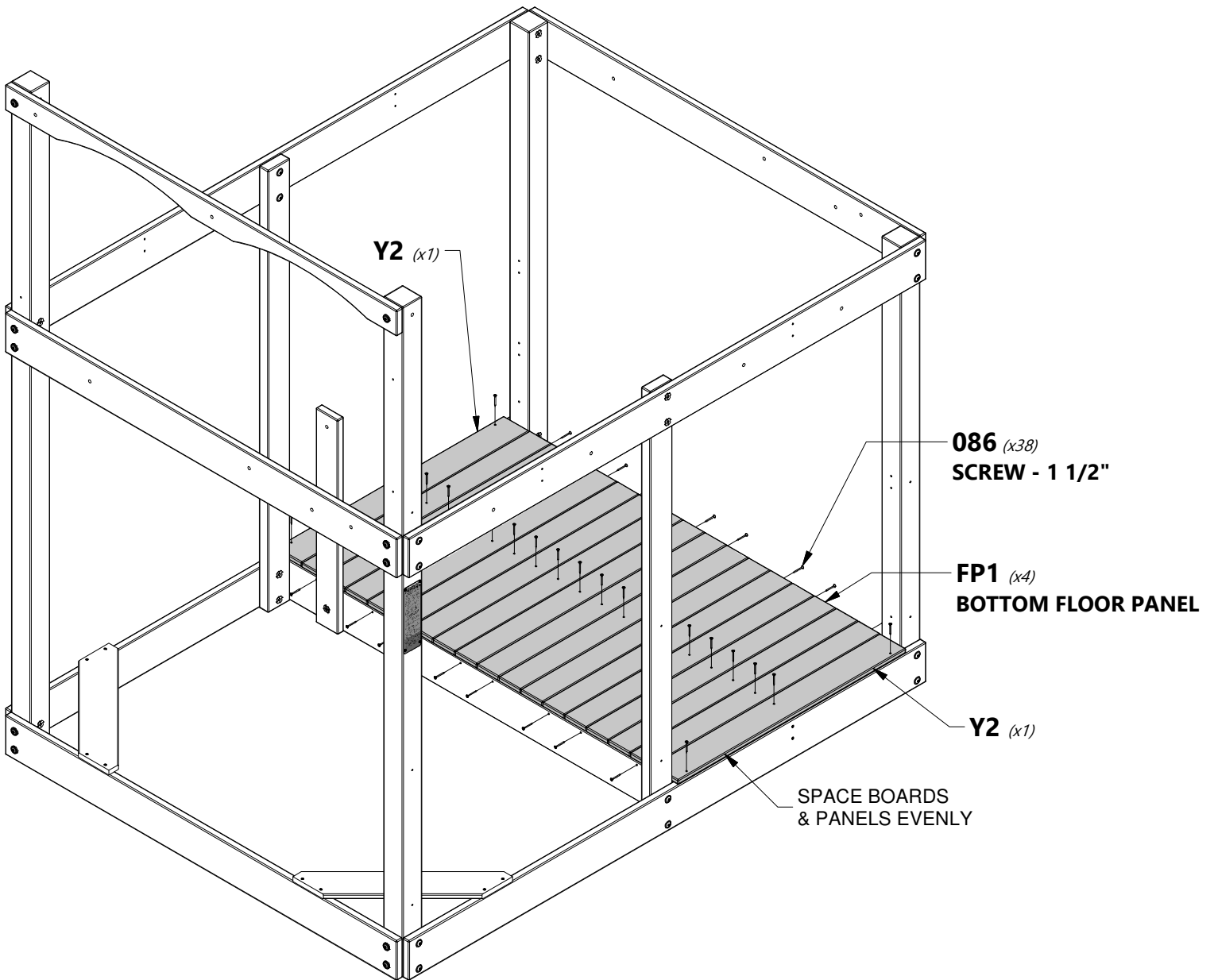
**FP1** | **BOTTOM FLOOR PANEL - W2A01485**  
(4) | 1 5/8"x13 1/2"x35 3/8" (40x344x897)

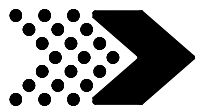


**Y2** | **BOTTOM FLOOR BOARD - W4L04577**  
(2) | 5/8"x4"x35 1/4" (16x102x895)



**H100086** | **SCREW PFH**  
(38) | 8x1 1/2





**H3** | PICNIC TABLE RAIL - W4L04578  
(1) | 1"x3 3/8"x67 1/4" (24x86x1708)



**M3** | BOTTOM WALL RAIL - W4L04579  
(1) | 5/8"x3 3/8"x60 1/2" (16x86x1537)



**H100028** | LAG SCREW WH  
(4) | 5/16x2 1/2

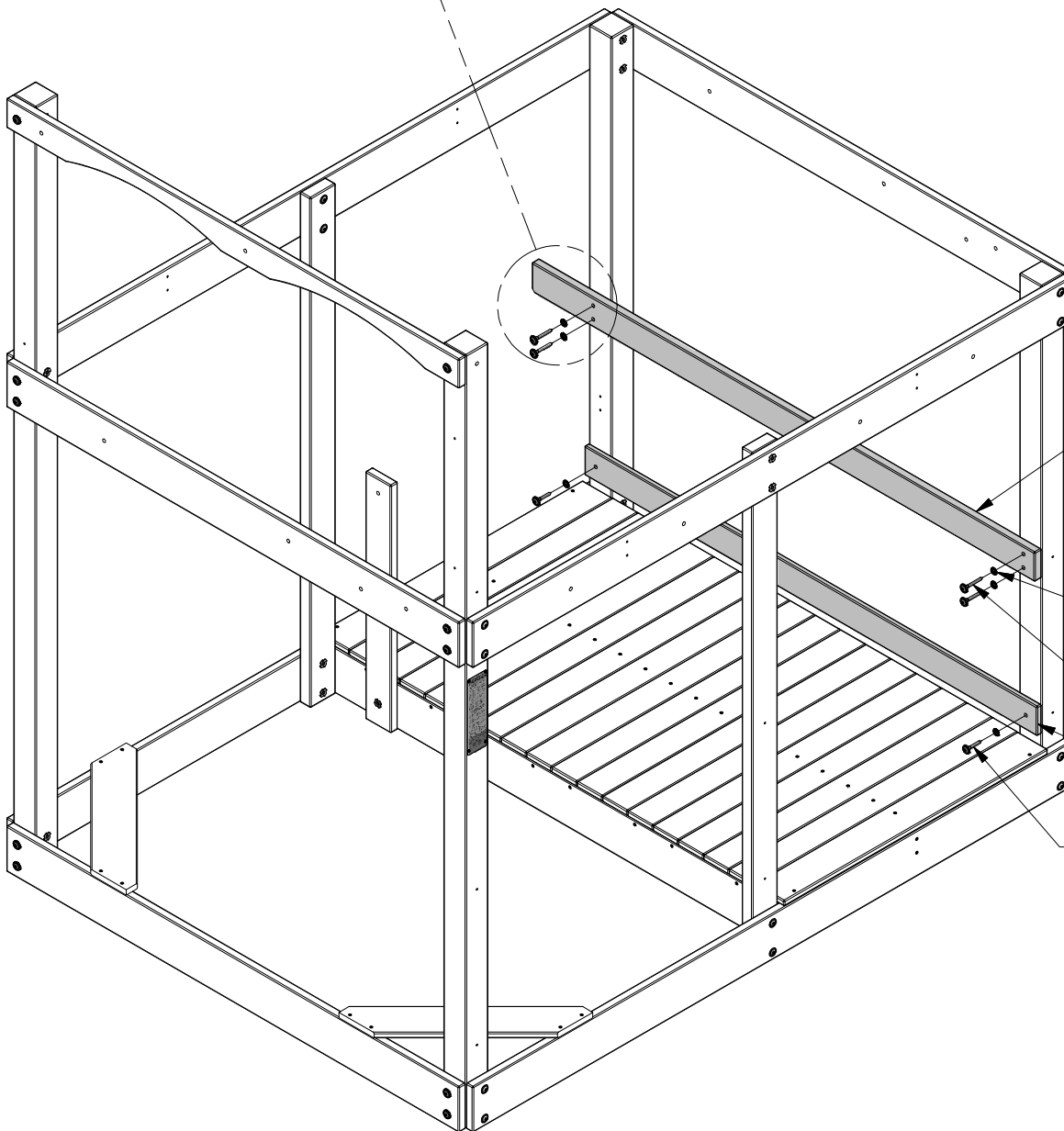
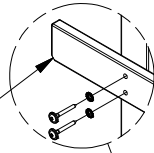


**H100030** | WASHER LOCK  
(6) | EXT  
8x19



**H100027** | LAG SCREW WH  
(2) | 5/16x2

NOTE ANGLE CUT  
FACES DOWNWARD



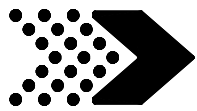
**H3** (x1)

**030** (x6)  
WASHER - 8x19

**028** (x4)  
LAG SCREW - 2 1/2"

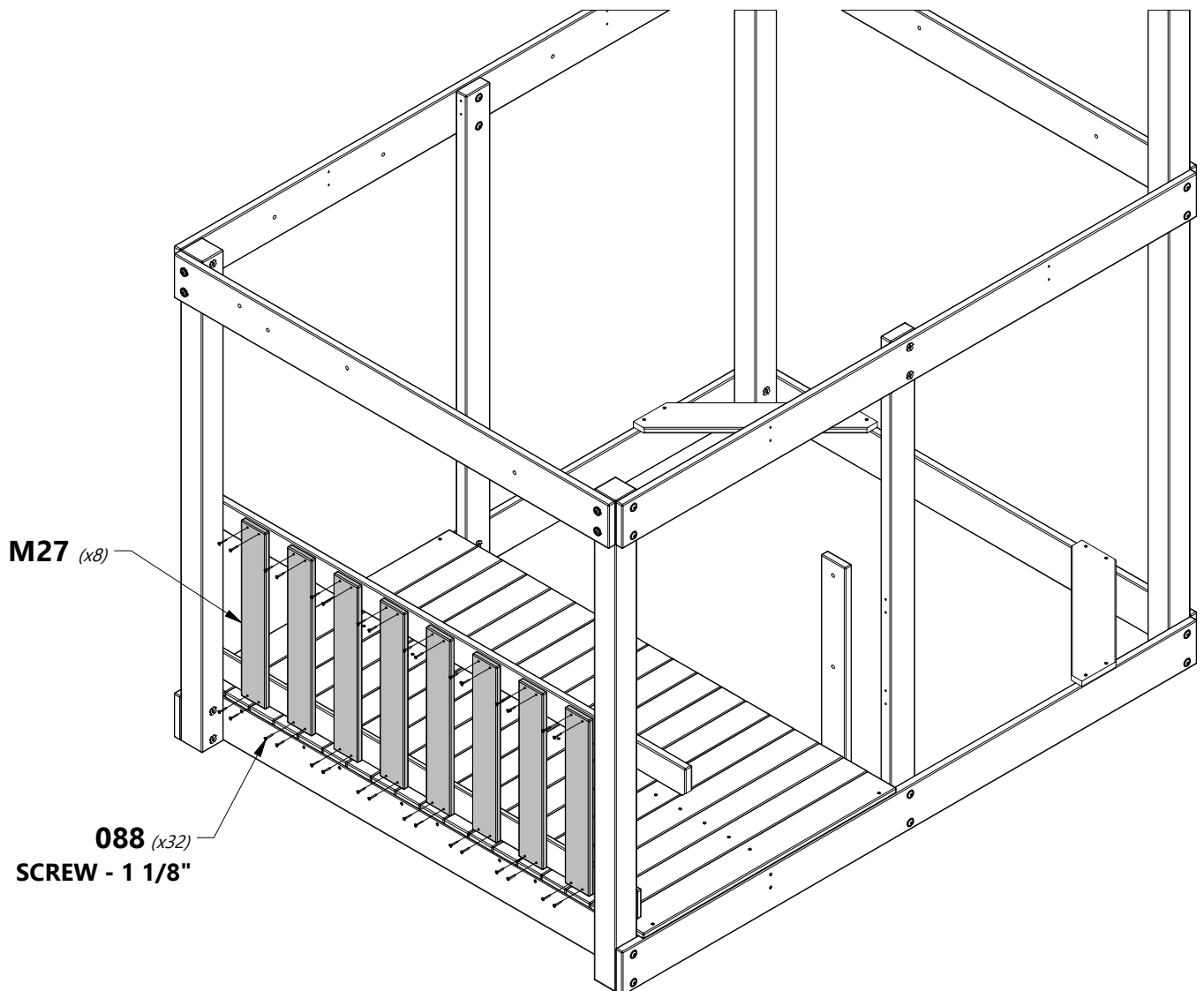
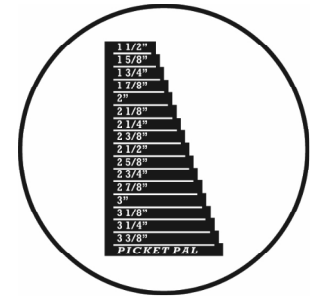
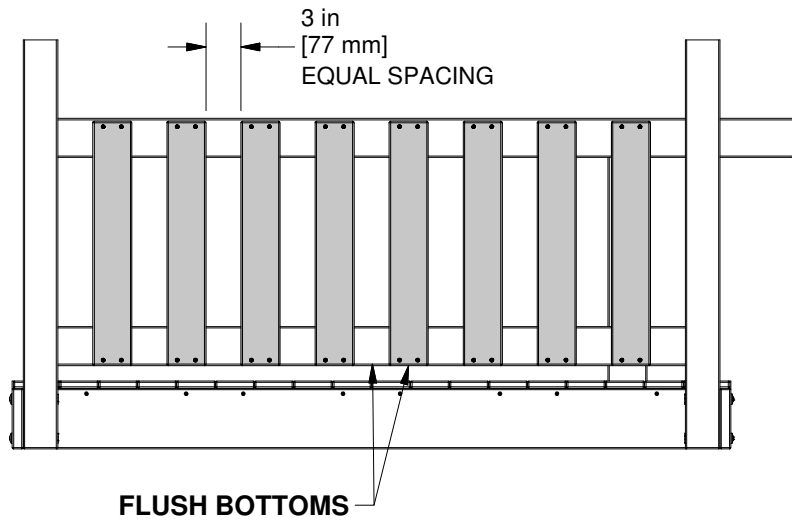
**M3** (x1)

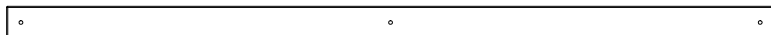
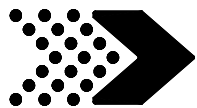
**027** (x2)  
LAG SCREW - 2"



**M27** | **BOTTOM WALL BOARD - W4L15944**  
 (8) | 5/8"x3 3/8"x21 3/8" (16x86x544)

**H100088** | **SCREW PFH**  
 (32) | 8x1 1/8"





**M2** | **BOTTOM WALL RAIL - W4L04596**  
(2) | 5/8"x3 3/8"x80" (16x86x2032)



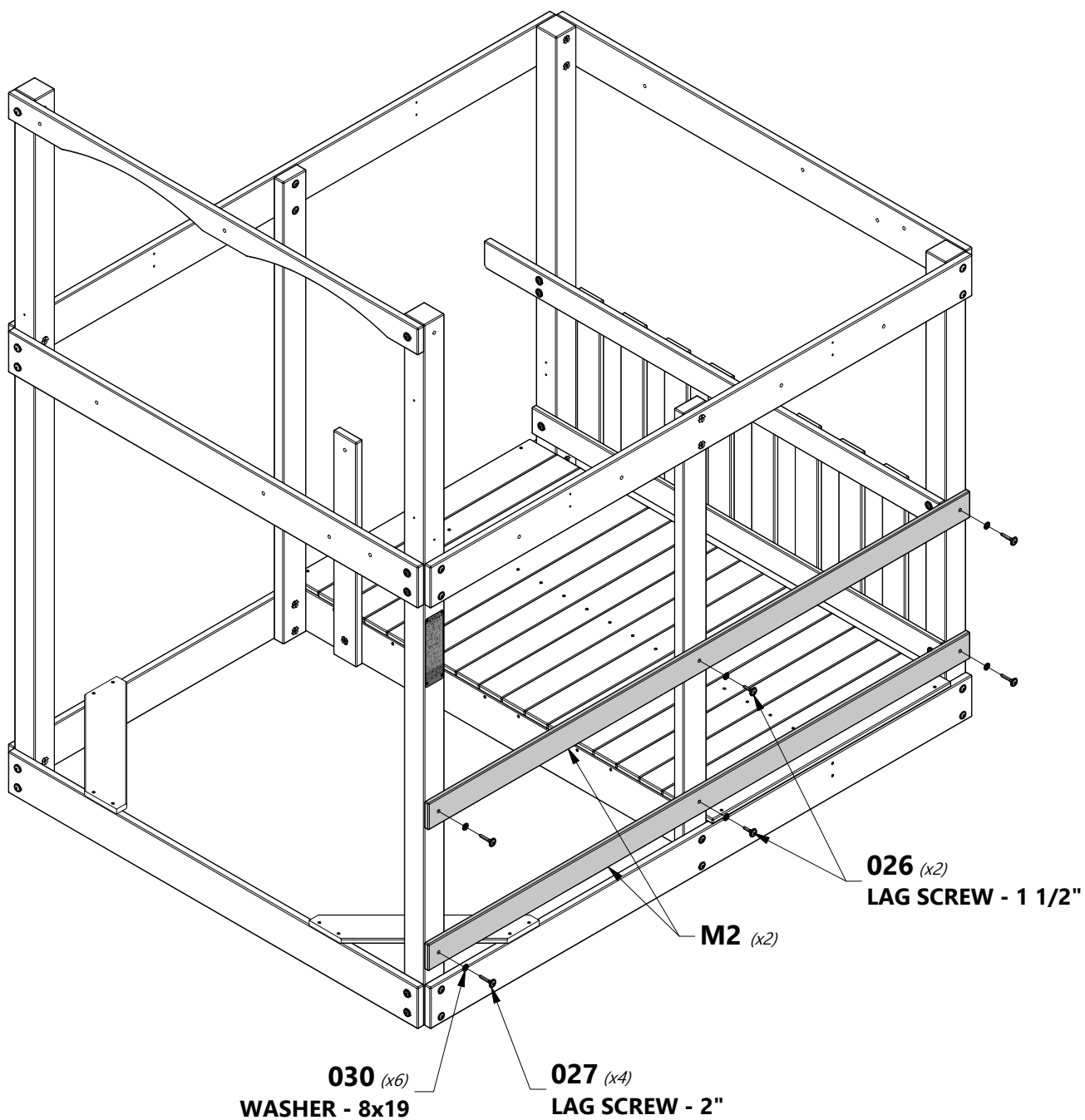
**H100027** | **LAG SCREW WH**  
(4) | 5/16x2

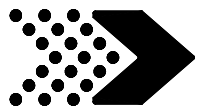


**H100030** | **WASHER LOCK**  
(6) | **EXT**  
8x19



**H100026** | **LAG SCREW WH**  
(2) | 5/16x1 1/2

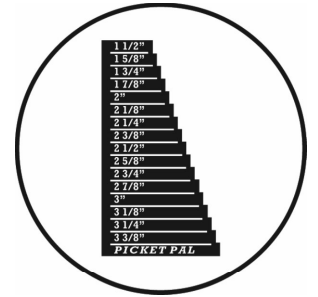
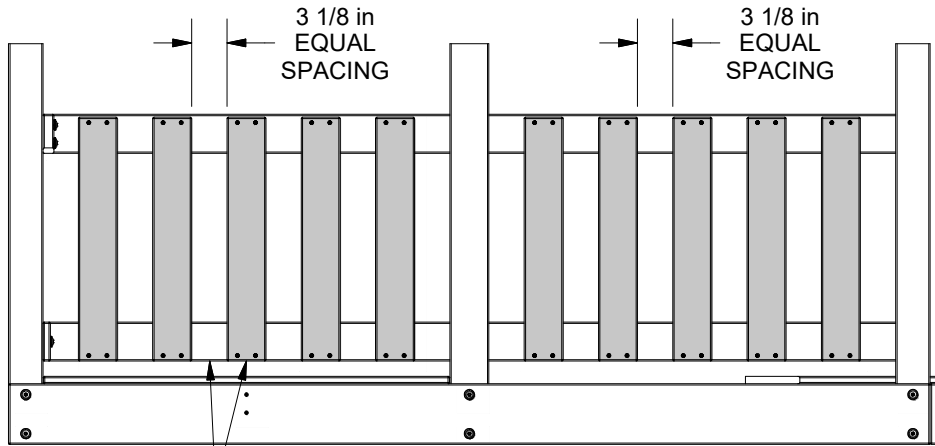




**M27** | **BOTTOM WALL BOARD - W4L15944**  
(10) | 5/8"x3 3/8"x21 3/8" (16x86x544)



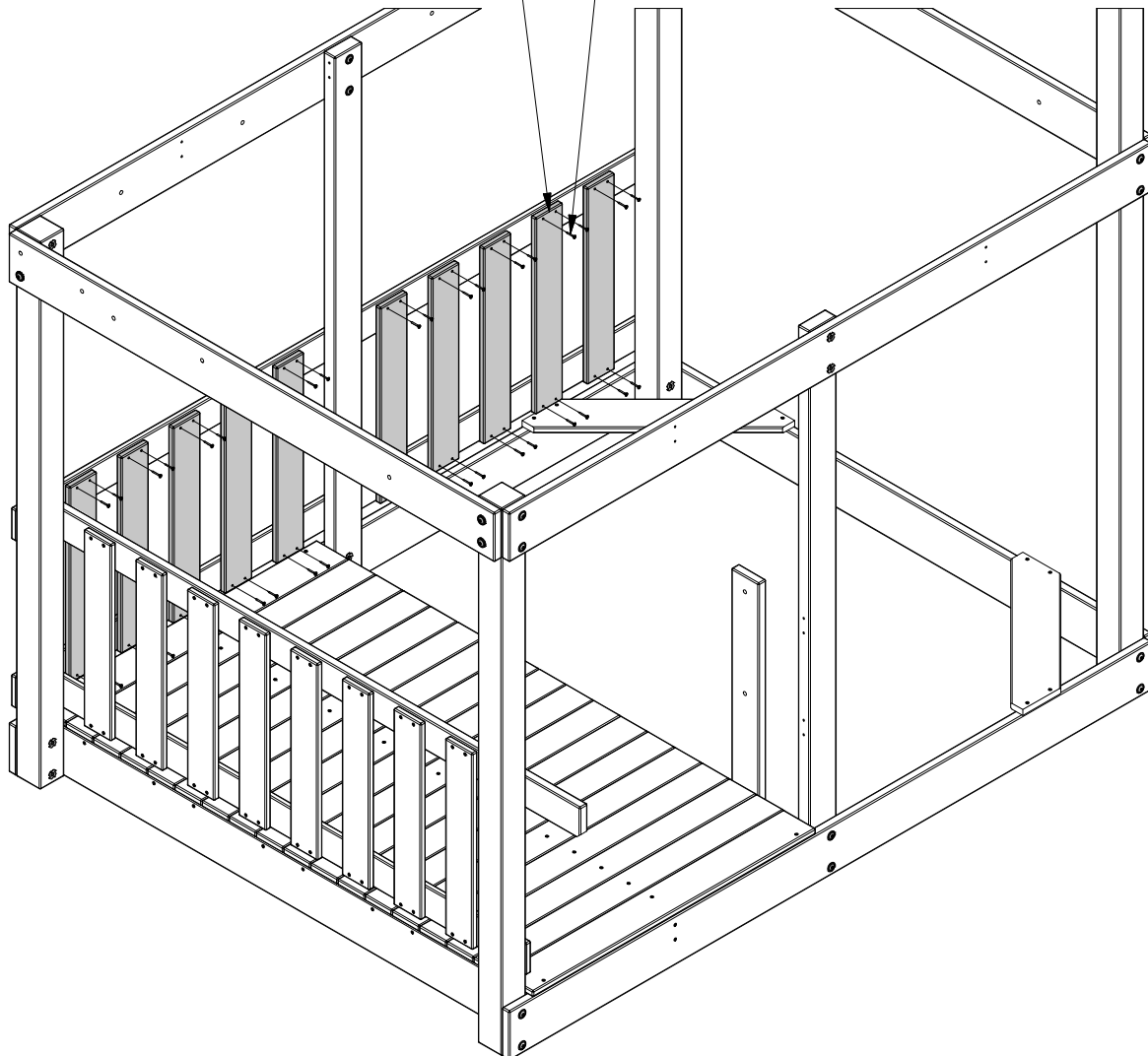
**H100088** | **SCREW PFH**  
(40) | 8x1 1/8

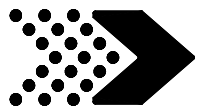


**FLUSH BOTTOMS**

**M27 (x10)**

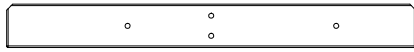
**088 (x40)**  
**SCREW - 1 1/8"**





# FORT ASSEMBLY

# STEP 12



**H16** | PICNIC TABLE SEAT RAIL - W4L04597  
(1) | 1"x3 3/8"x32" (24x86x812)



**H23** | PICNIC TABLE BRACE - W4L04598  
(1) | 1"x3 3/8"x17 1/2" (24x86x444)



**H100028** | LAG SCREW WH  
(2) | 5/16x2 1/2



**H100010** | BOLT WH  
(1) | 5/16x1-1/2



**H100138** | WASHER LOCK  
EXT  
(1) | 6x15



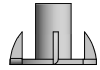
**H100146** | LAG SCREW WH  
(1) | 1/4x2



**H100011** | BOLT WH  
(1) | 5/16x1 3/4



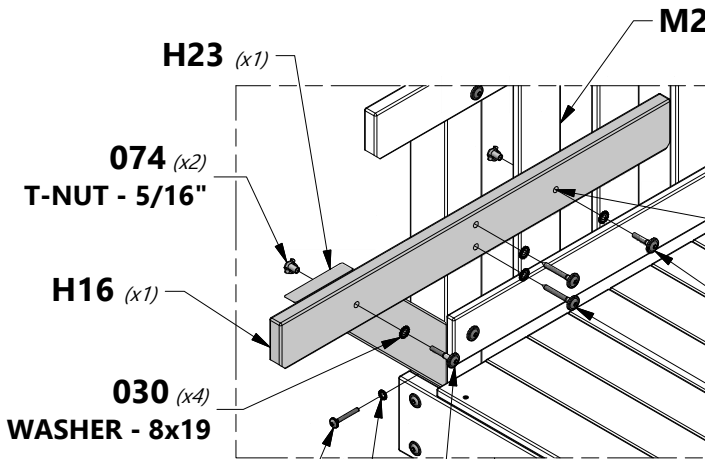
**H100030** | WASHER LOCK  
EXT  
(4) | 8x19



**H100074** | T-NUT  
(2) | 5/16



**TIP:**  
INSTALL T-NUTS INTO BOARDS  
BEFORE ASSEMBLY



USING 'H16' AS A GUIDE, DRILL  
3/8" DIAMETER HOLE IN 'M27'

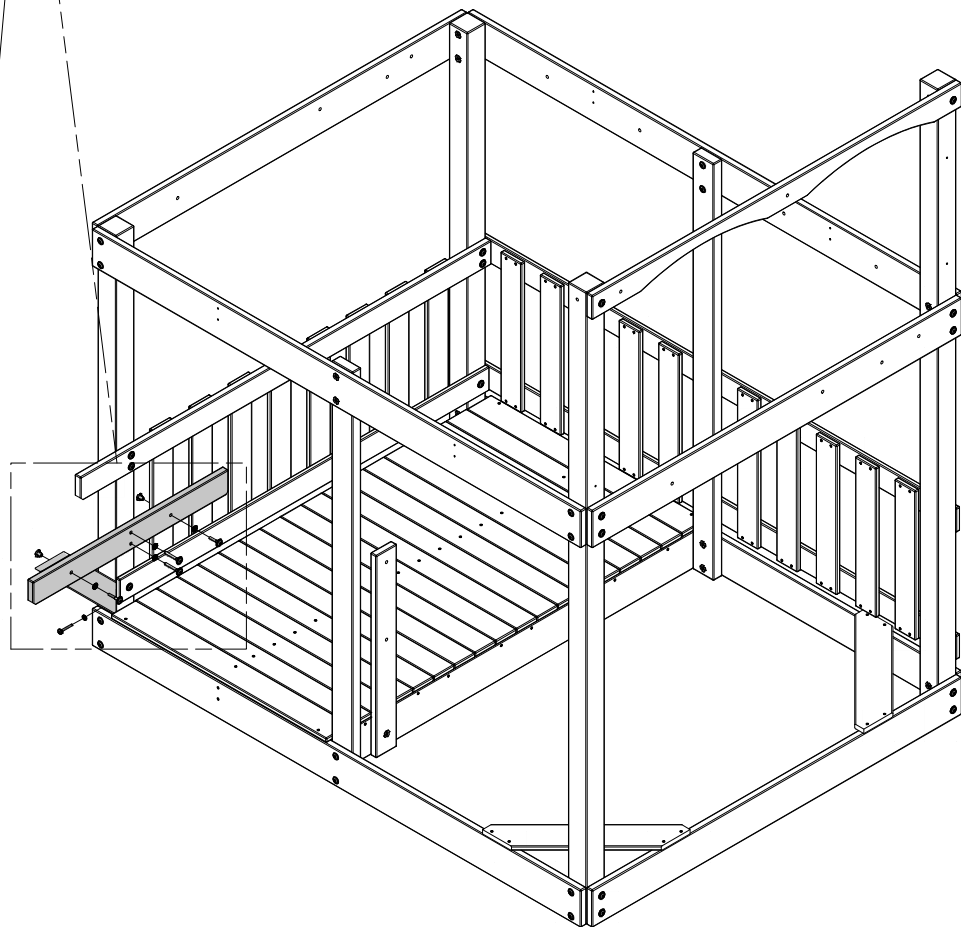
**010** (x1)  
BOLT - 1 1/2"

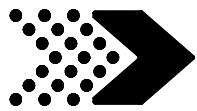
**028** (x2)  
LAG SCREW - 2 1/2"

**146** (x1)  
LAG SCREW - 2"

**138** (x1)  
WASHER - 6x15

**011** (x1)  
BOLT - 1 3/4"





# FORT ASSEMBLY

# STEP 13



**H17** | PICNIC TABLE SEAT RAIL - W4L04599  
(1) | 1"x3 3/8"x32" (24x86x812)



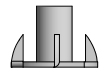
**H23** | PICNIC TABLE BRACE - W4L04598  
(1) | 1"x3 3/8"x17 1/2" (24x86x444)



**H100028** | LAG SCREW WH  
(2) | 5/16x2 1/2



**H100011** | BOLT WH  
(2) | 5/16x1 3/4



**H100074** | T-NUT  
(2) | 5/16



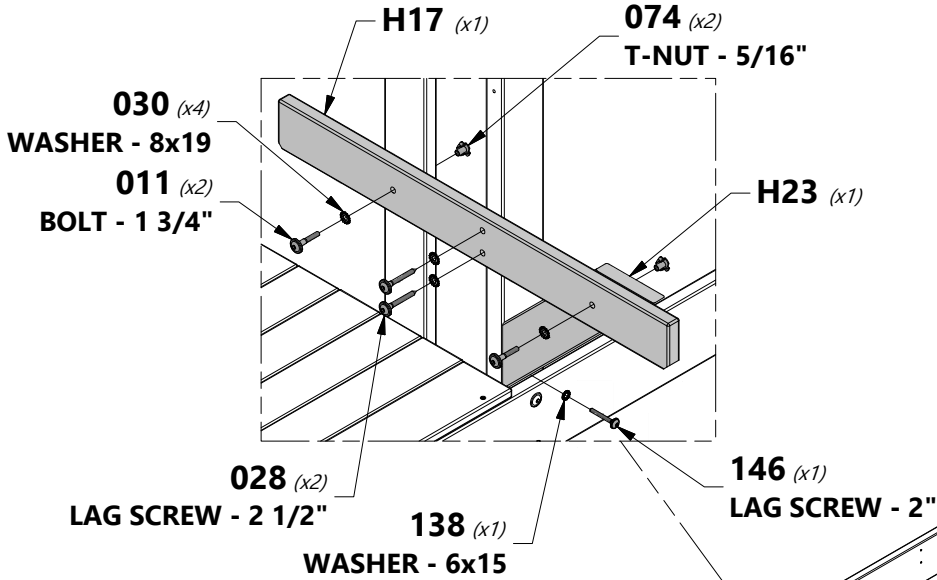
**H100146** | LAG SCREW WH  
(1) | 1/4x2



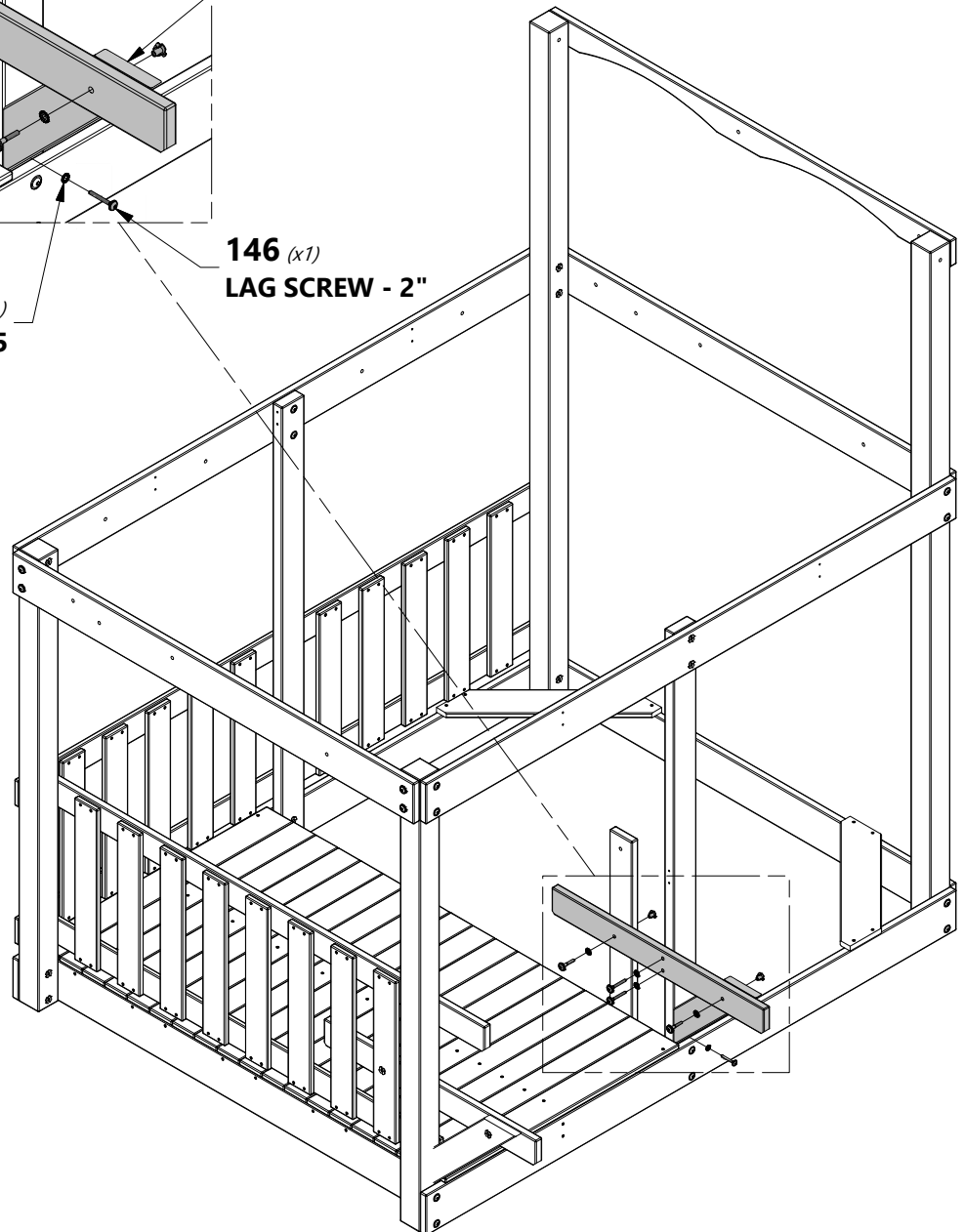
**H100030** | WASHER LOCK  
(4) | EXT  
8x19

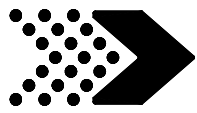


**H100138** | WASHER LOCK  
(1) | EXT  
6x15



 **TIP:**  
INSTALL T-NUTS INTO  
BOARDS BEFORE ASSEMBLY.

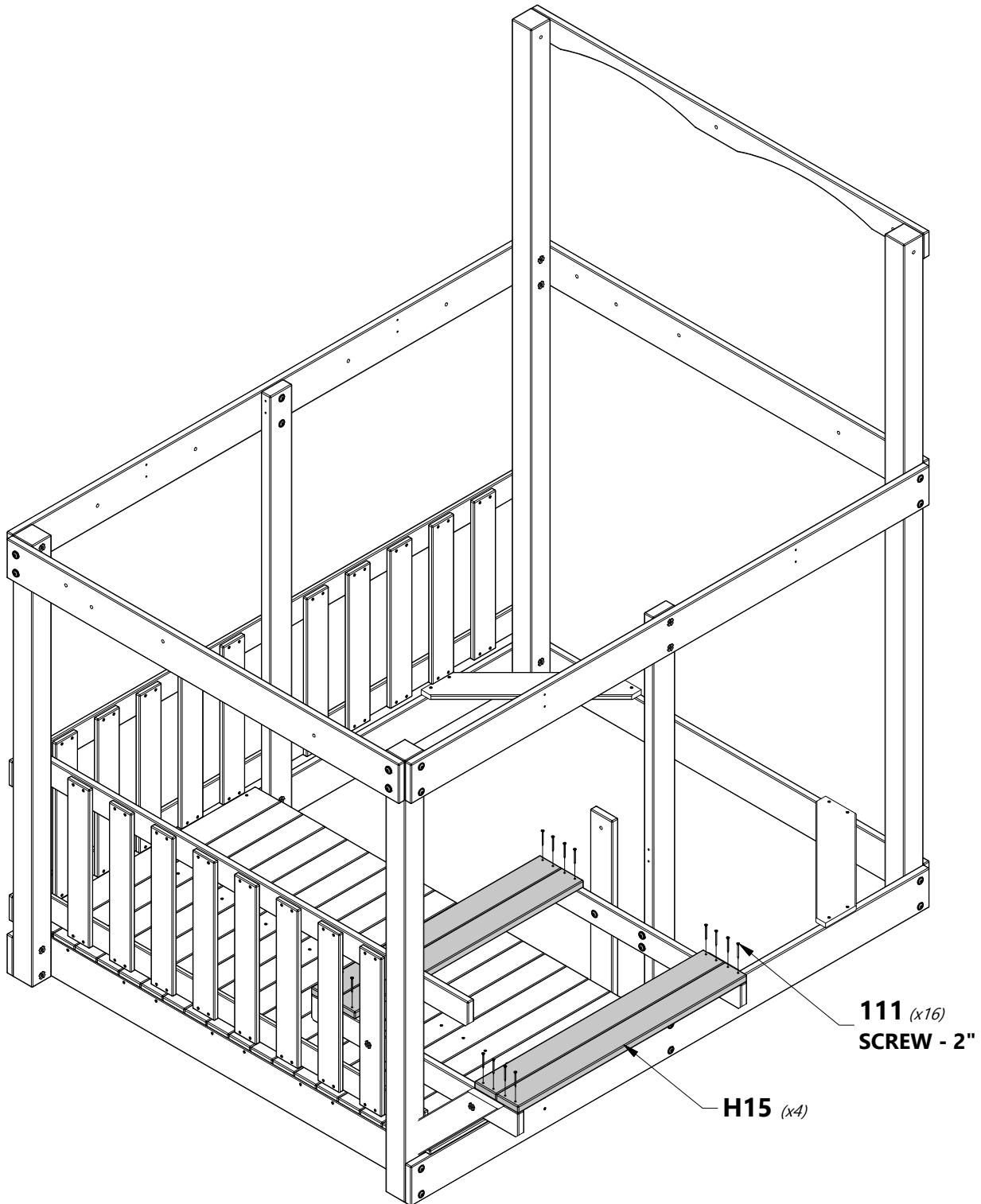


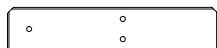
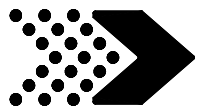


**H15** | PICNIC TABLE SEAT - W4L04600  
(4) | 1"x3 3/8"x35 3/8" (24x86x897)



**H100111** | SCREW PFH  
(16) | 8x2





**H24** | PICNIC TABLE TOP SUPPORT - W4L04601  
(1) | 1"x3 3/8"x16 1/2" (24x86x418)



**H100011** | BOLT WH  
(1) | 5/16x1 3/4



**H100028** | LAG SCREW WH  
(2) | 5/16x2 1/2



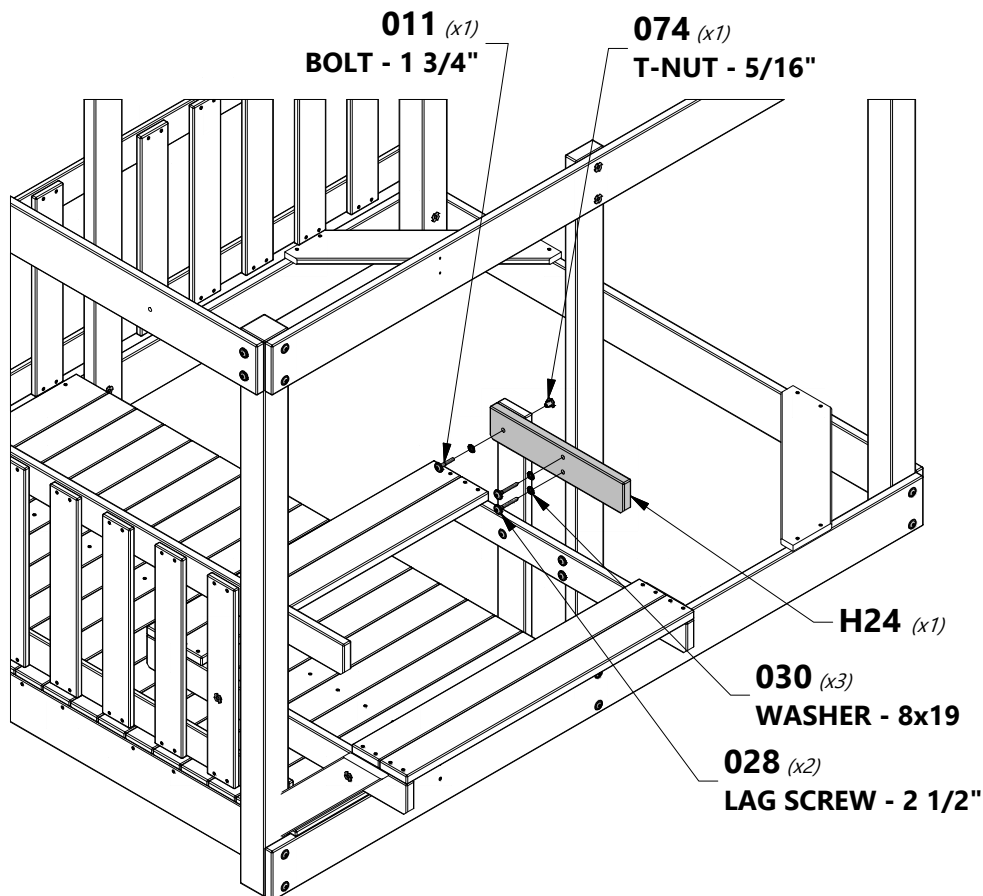
**H100074** | T-NUT  
(1) | 5/16

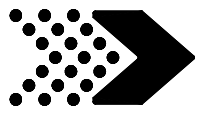


**H100030** | WASHER LOCK  
(3) | EXT  
8x19

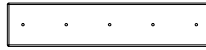


**TIP:**  
INSTALL T-NUTS INTO  
BOARDS BEFORE ASSEMBLY.





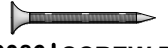
**M16** | CENTER PICNIC TABLE TOP - W4L04603  
(1) | 5/8"x3"x38 1/4" (16x76x973)



**M30** | PICNIC TABLE TOP CLEAT - W4L04604  
(1) | 5/8"x3 3/8"x16" (16x86x406)



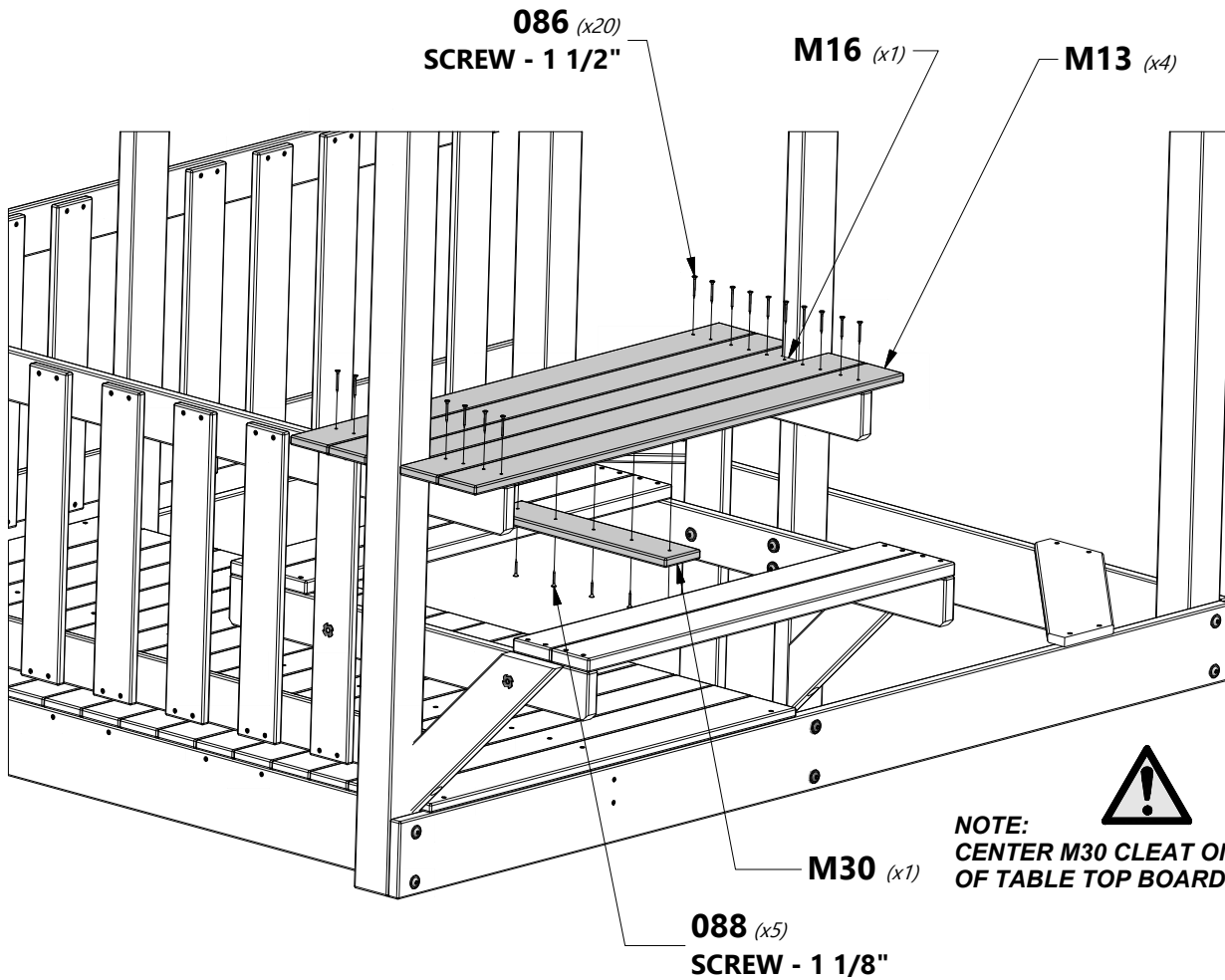
**M13** | PICNIC TABLE TOP - W4L04602  
(4) | 5/8"x3 3/8"x41 1/4" (16x86x1049)

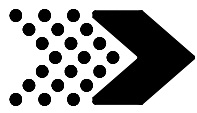


**H100086** | SCREW PFH  
(20) | 8x1 1/2



**H100088** | SCREW PFH  
(5) | 8x1 1/8

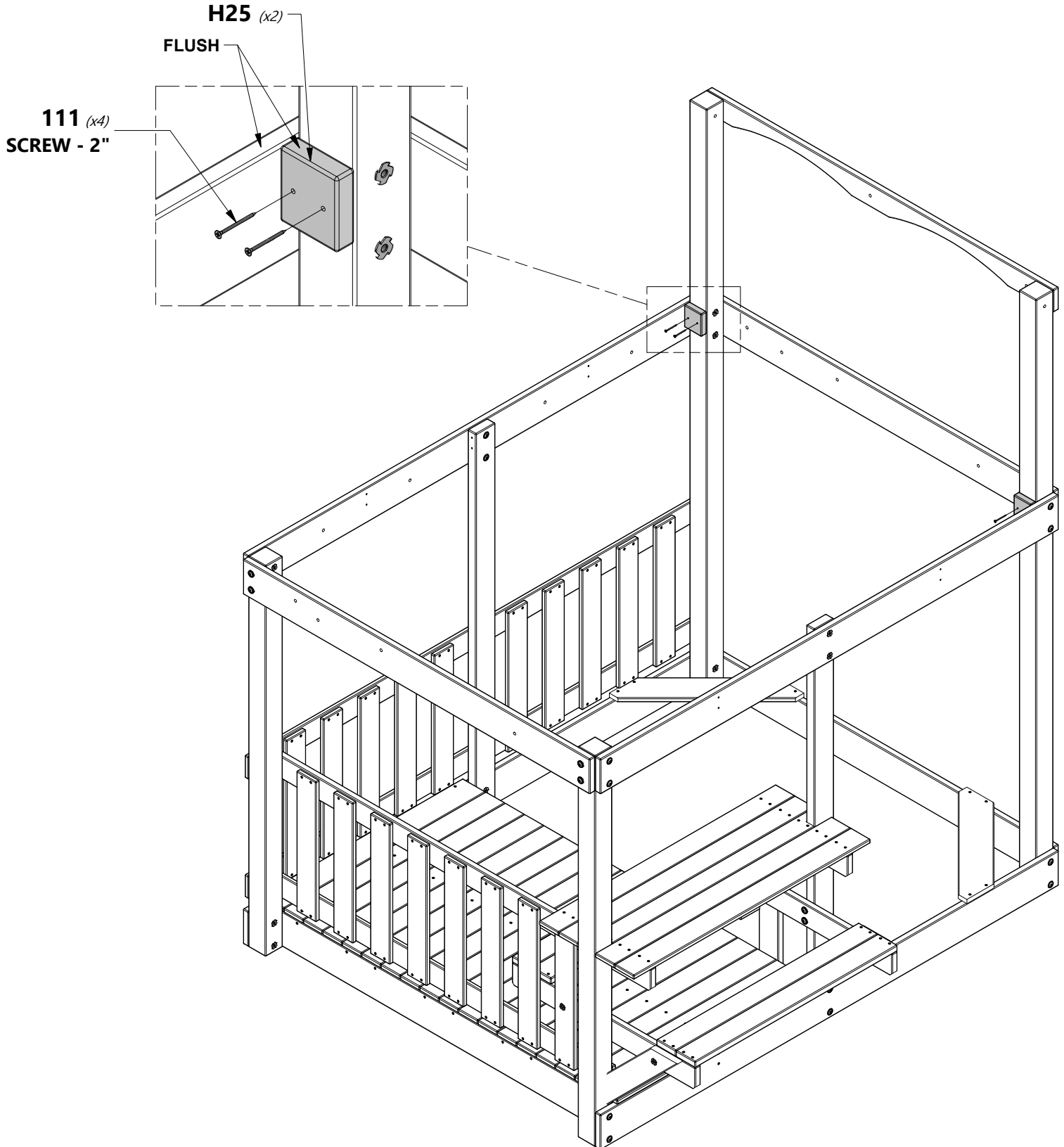


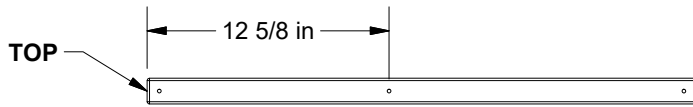
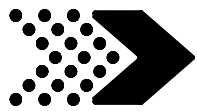


**H25** | TOP FLOOR SUPPORT - W4L04606  
(2) | 1"x3 3/8"x3" (24x86x76)



**H100111** | SCREW PFH  
(4) | 8x2

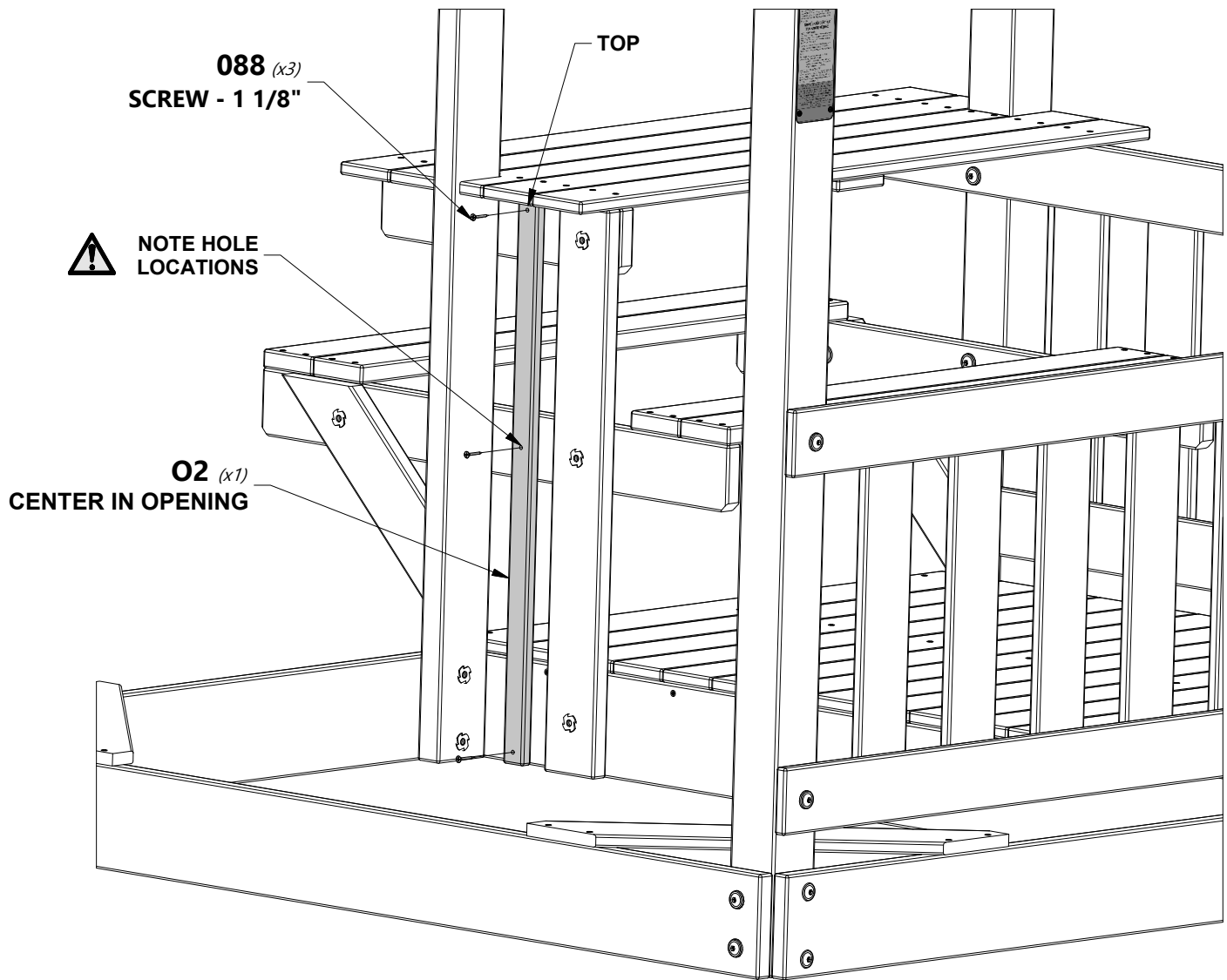


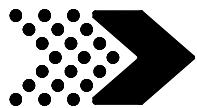


**O2** SAFETY BOARD - W4L04605  
(1) 5/8"x1 3/8"x28 5/8" (16x34x726)



**H100088** SCREW PFH  
(3) 8x1 1/8





# FORT ASSEMBLY

# STEP 19

**E6** | DECK BRACE - W4L15942  
 (8) | 1 7/16"x3 3/8"x20" (36x86x508)

**H100013** | BOLT WH  
 (8) | 5/16x2 1/4

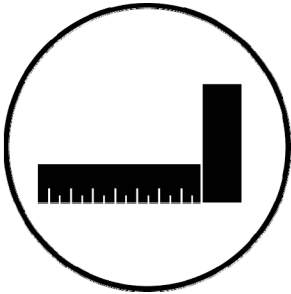
**H100074** | T-NUT  
 (8) | 5/16



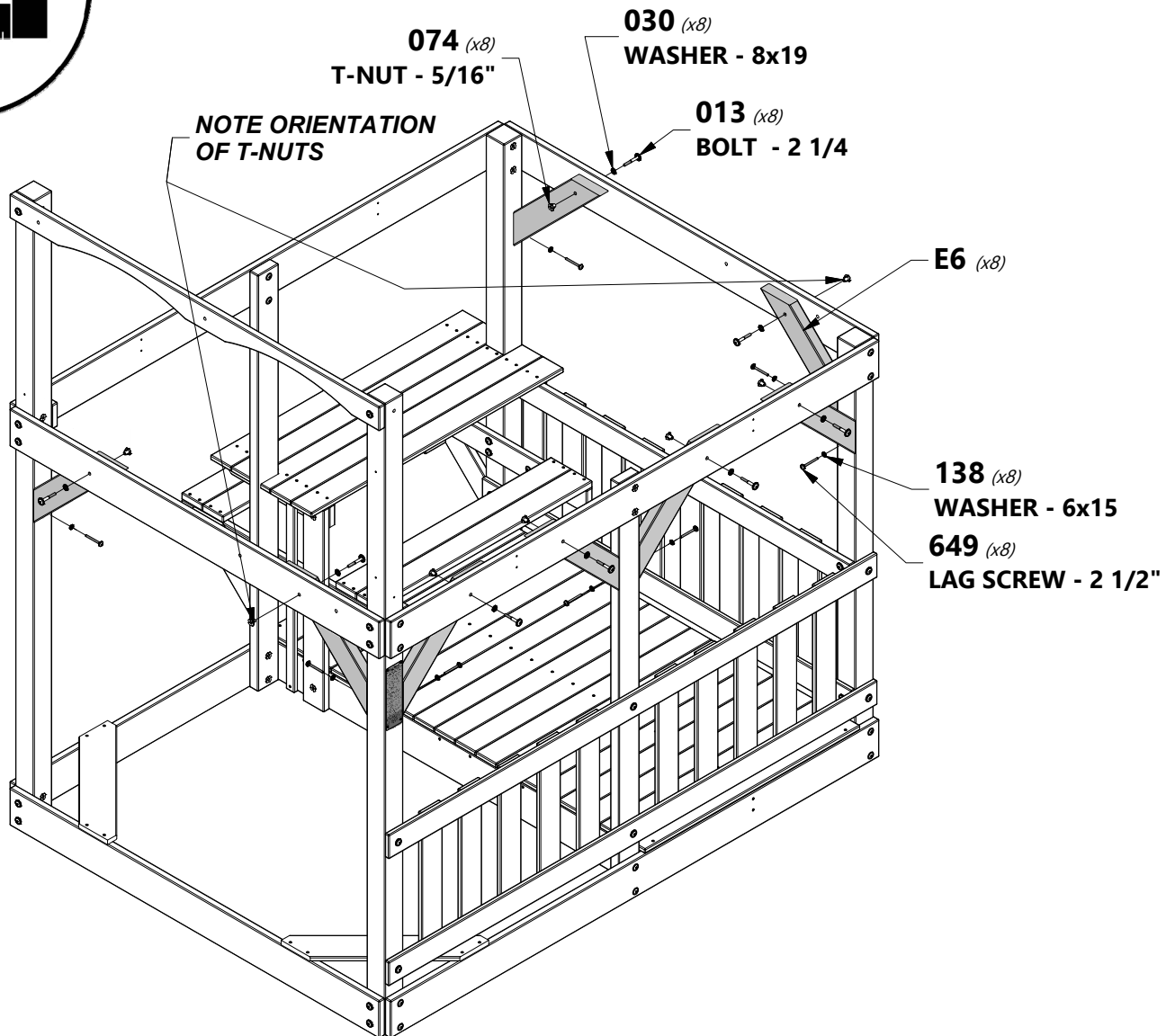
**H100138** | WASHER LOCK  
 (8) | EXT  
 6x15

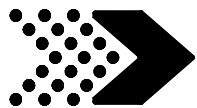
**H100649** | LAG SCREW WH  
 (8) | 1/4x2 1/2

**H100030** | WASHER LOCK  
 (8) | EXT  
 8x19



**TIP:**  
 INSTALL T-NUTS INTO  
 BOARDS BEFORE ASSEMBLY.





**H5** | FLOOR RAIL - W4L04608  
(1) | 1"x3 3/8"x60 1/2" (24x86x1537)



**H26** | FLOOR JOIST - W4L04573  
(2) | 1"x3 3/8"x60 1/2" (24x86x1537)



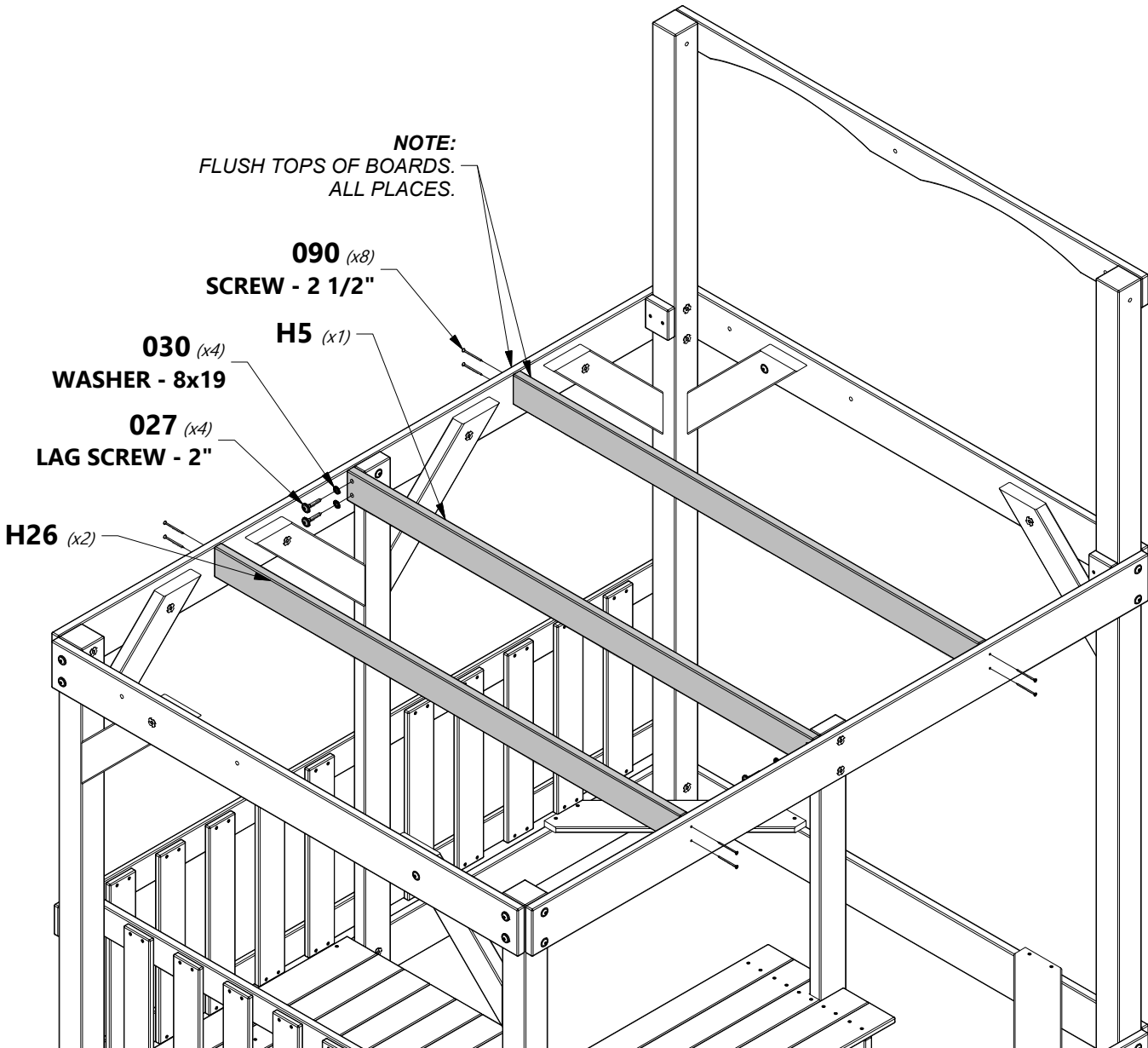
**H100027** | LAG SCREW WH  
(4) | 5/16x2

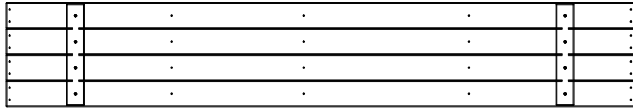
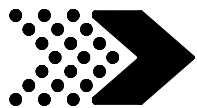


**H100030** | WASHER LOCK  
(4) | EXT  
8x19

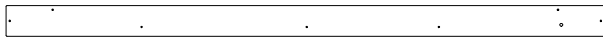


**H100090** | SCREW PFH  
(8) | 8x2 1/2"





**FP2 | FLOOR PANEL - W2A03345**  
(4) | 1 1/4"x13 1/2"x81 7/8" (32x344x2080)



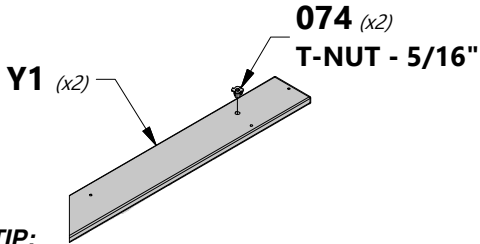
**Y1 | TOP FLOOR BOARD - W4L15964**  
(2) | 5/8"x4"x78" (16x102x1980)



**H100086 | SCREW PFH**  
(126) | 8x1 1/2

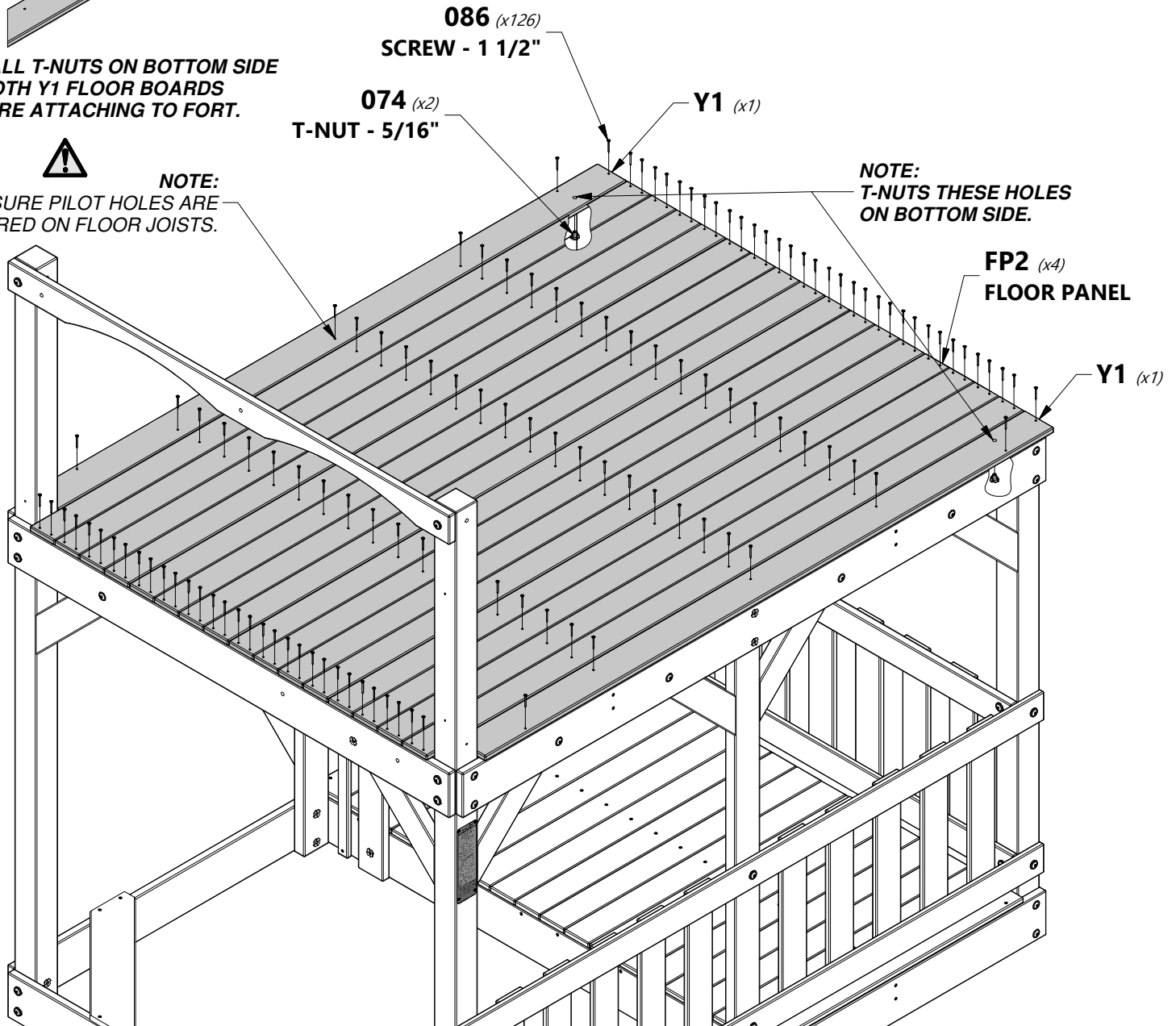


**H100074 | T-NUT**  
(2) | 5/16



**TIP:**  
INSTALL T-NUTS ON BOTTOM SIDE  
OF BOTH Y1 FLOOR BOARDS  
BEFORE ATTACHING TO FORT.

 **NOTE:**  
ENSURE PILOT HOLES ARE  
CENTERED ON FLOOR JOISTS.





1 3/4 in  
[43 mm]

1 1/2 in  
[38 mm]

**B8** | BACK RIGHT CLUB HOUSE CORNER - W4L04618  
(1) | 3"x3"x53 7/8" (76x76x1370)

**M21** | CLUB HOUSE WALL RAIL - W4L04613  
(1) | 5/8"x3 3/8"x30 1/4" (16x86x768)

**H4** | ROOF SUPPORT RAIL - W4L04623  
(1) | 1"x3 3/8"x67 1/4" (24x86x1709)



**A4M01046** | L BRACKET  
(2) | 2.5x38x55x55

**B5** | BACK LEFT CLUB HOUSE CORNER - W4L04612  
(1) | 3"x3"x53 7/8" (76x76x1370)

**H6** | BACK CLUB HOUSE RAIL - W4L04621  
(1) | 1"x3 3/8"x60 1/2" (24x86x1537)



**H100014** | BOLT WH  
(1) | 5/16x2 1/2



**H100115** | BOLT WH  
(2) | 5/16x1/2



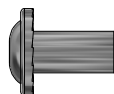
**H100019** | BOLT WH  
(2) | 5/16x3 3/4



**H100030** | WASHER LOCK  
(4) | EXT  
8x19



**H100017** | BOLT WH  
(1) | 5/16x3 1/4



**H100005** | NUT BARREL WH  
(2) | 5/16x7/8



**H100027** | LAG SCREW WH  
(2) | 5/16x2



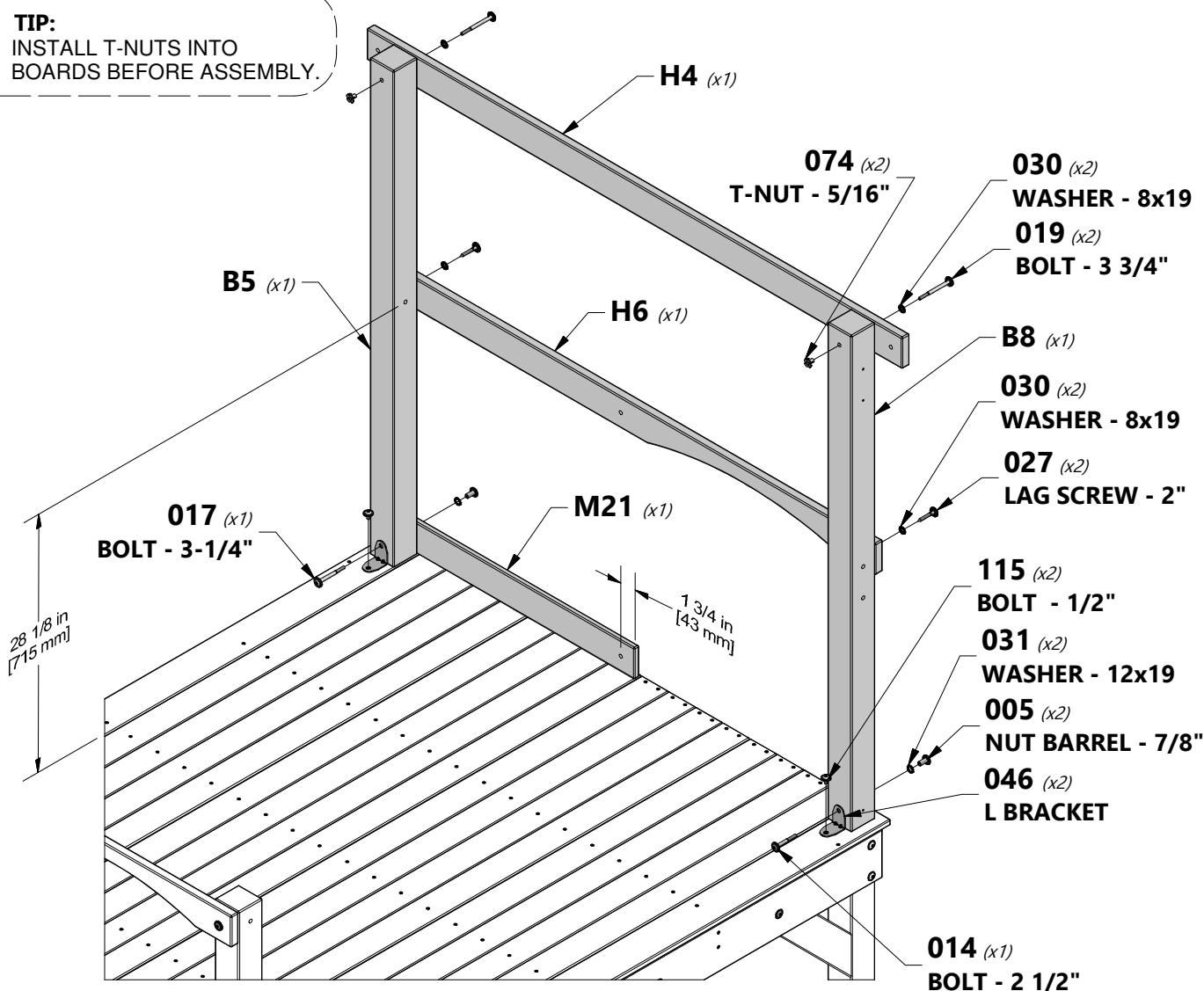
**H100031** | WASHER LOCK  
(2) | EXT  
12x19

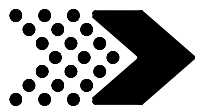


**H100074** | T-NUT  
(2) | 5/16

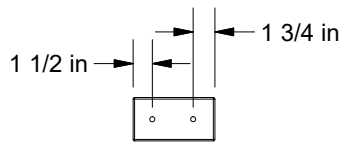


**TIP:**  
INSTALL T-NUTS INTO  
BOARDS BEFORE ASSEMBLY.





**M10** | CLUB HOUSE WALL RAIL - W4L04614  
(1) | 5/8"x3 3/8"x50 1/4" (16x86x1277)



**M34** | WALL RAIL - W4L04611  
(1) | 5/8"x3 3/8"x6 3/8" (16x86x162)



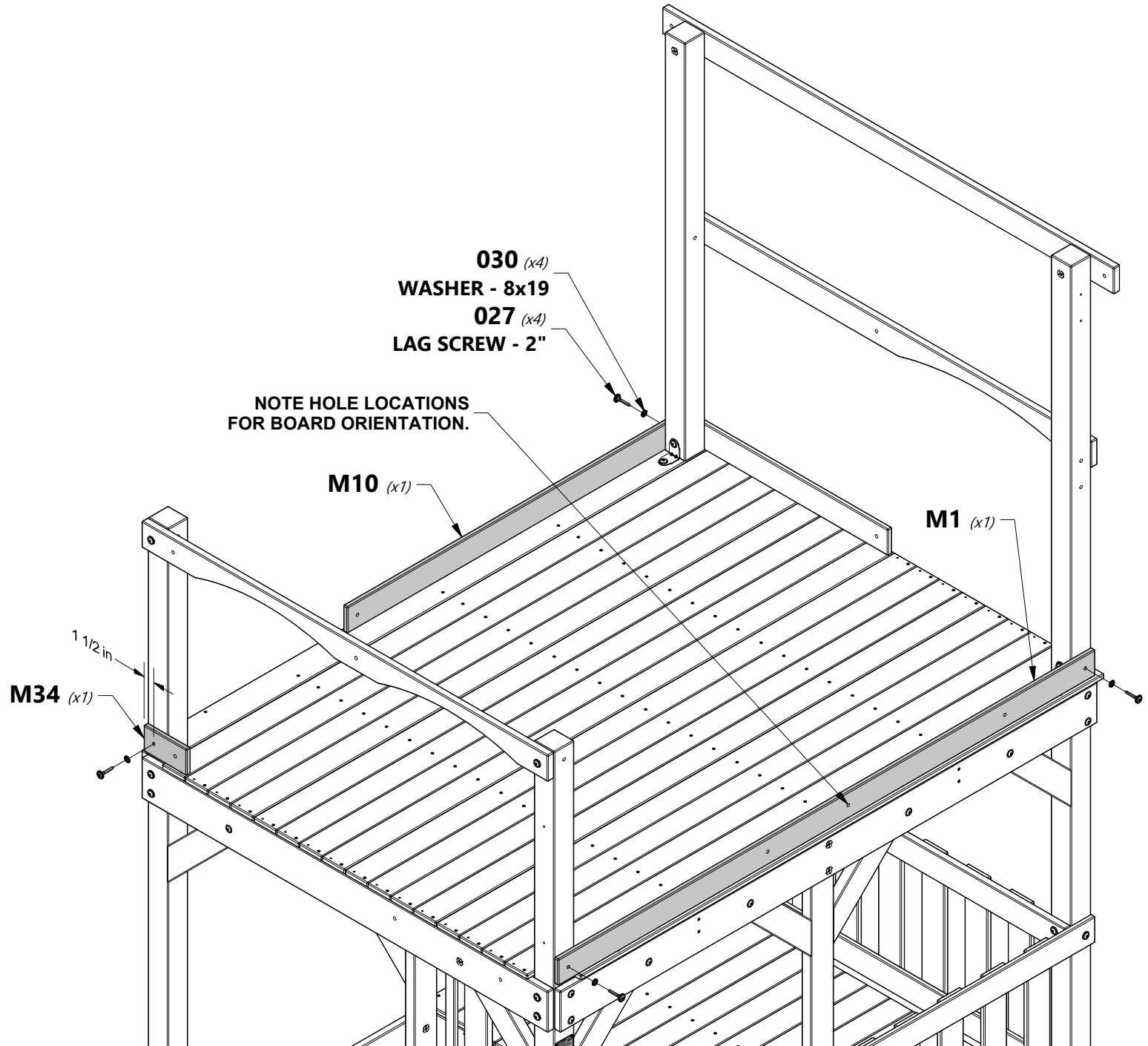
**H100027** | LAG SCREW WH  
(4) | 5/16x2

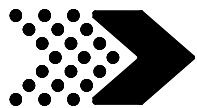


**H100030** | WASHER LOCK EXT  
(4) | 8x19



**M1** | TOP WALL RAIL - W4L04619  
(1) | 5/8"x3 3/8"x80" (16x86x2032)





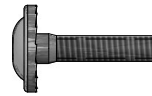
**H18** | CLUB HOUSE WALL RAIL - W4L04616  
(1) | 1"x3 3/8"x29 7/8" (24x86x758)



**A4M01046** | L BRACKET 2.5x38x55x55  
(1)



**H100011** | BOLT WH  
(1) | 5/16x1 3/4



**H100009** | BOLT WH  
(1) | 5/16x1 1/4



**H100115** | BOLT WH  
(1) | 5/16x1/2



**H100074** | T-NUT  
(2) | 5/16



**H100005** | NUT BARREL WH  
(1) | 5/16x7/8



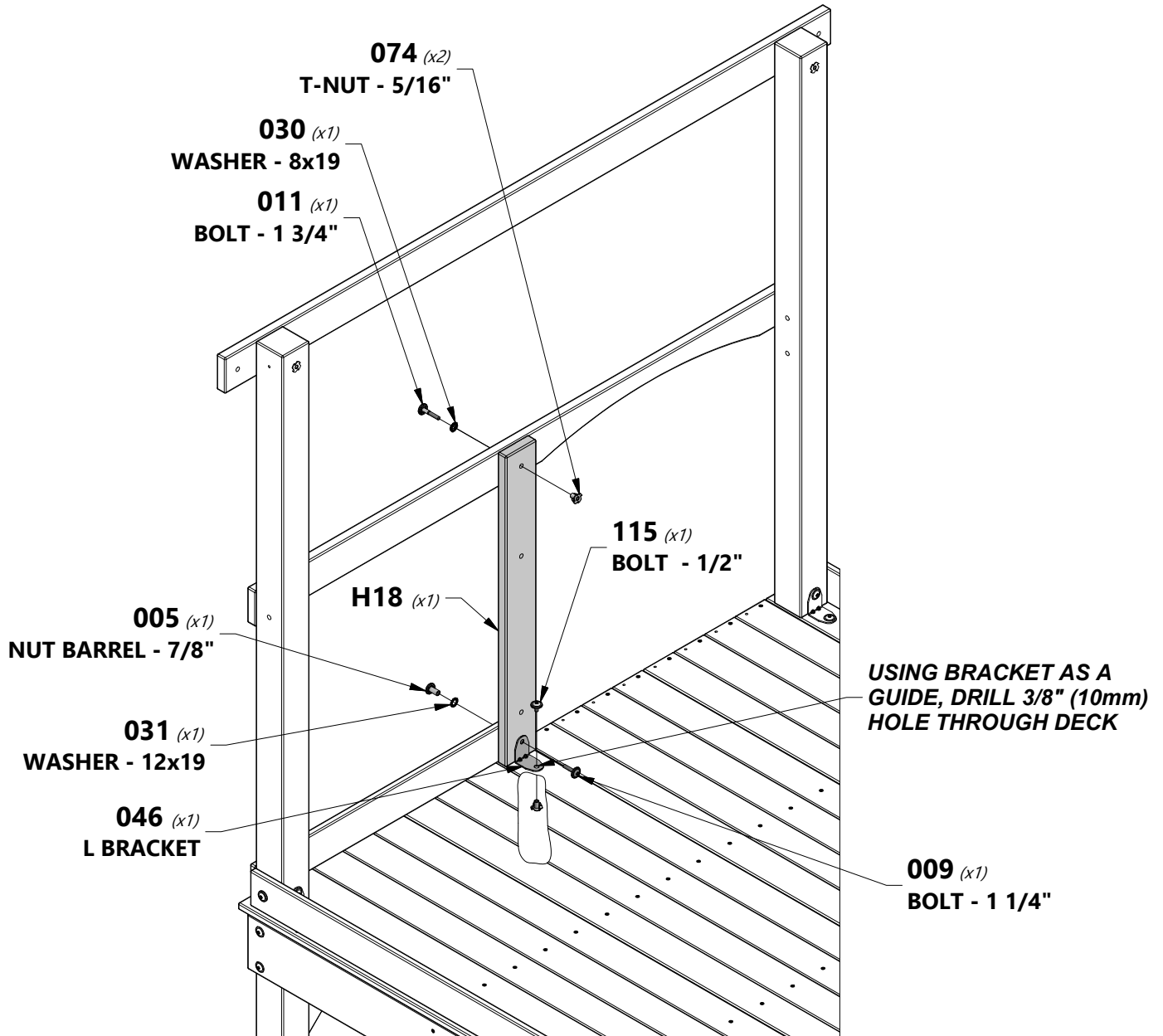
**H100031** | WASHER LOCK  
(1) | EXT  
12x19

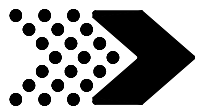


**H100030** | WASHER LOCK  
(1) | EXT  
8x19



**TIP:**  
INSTALL T-NUTS INTO  
BOARDS BEFORE ASSEMBLY.

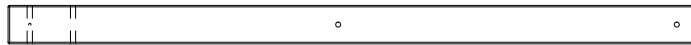




**A4M01046** | L BRACKET  
(1) | 2.5x38x55x55



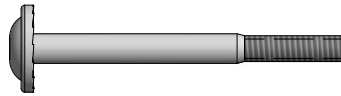
**H1** | WALL RAIL - W4L04620  
(1) | 1"x3 3/8"x80" (24x86x2032)



**B6** | FRONT LEFT CLUB HOUSE CORNER - W4L04615  
(1) | 3"x3"x53 7/8" (76x76x1370)



**H100019** | BOLT WH  
(3) | 5/16x3 3/4



**H100017** | BOLT WH  
(1) | 5/16x3 1/4



**H100005** | NUT BARREL WH  
(1) | 5/16x7/8



**H100115** | BOLT WH  
(1) | 5/16x1/2



**H100074** | T-NUT  
(4) | 5/16



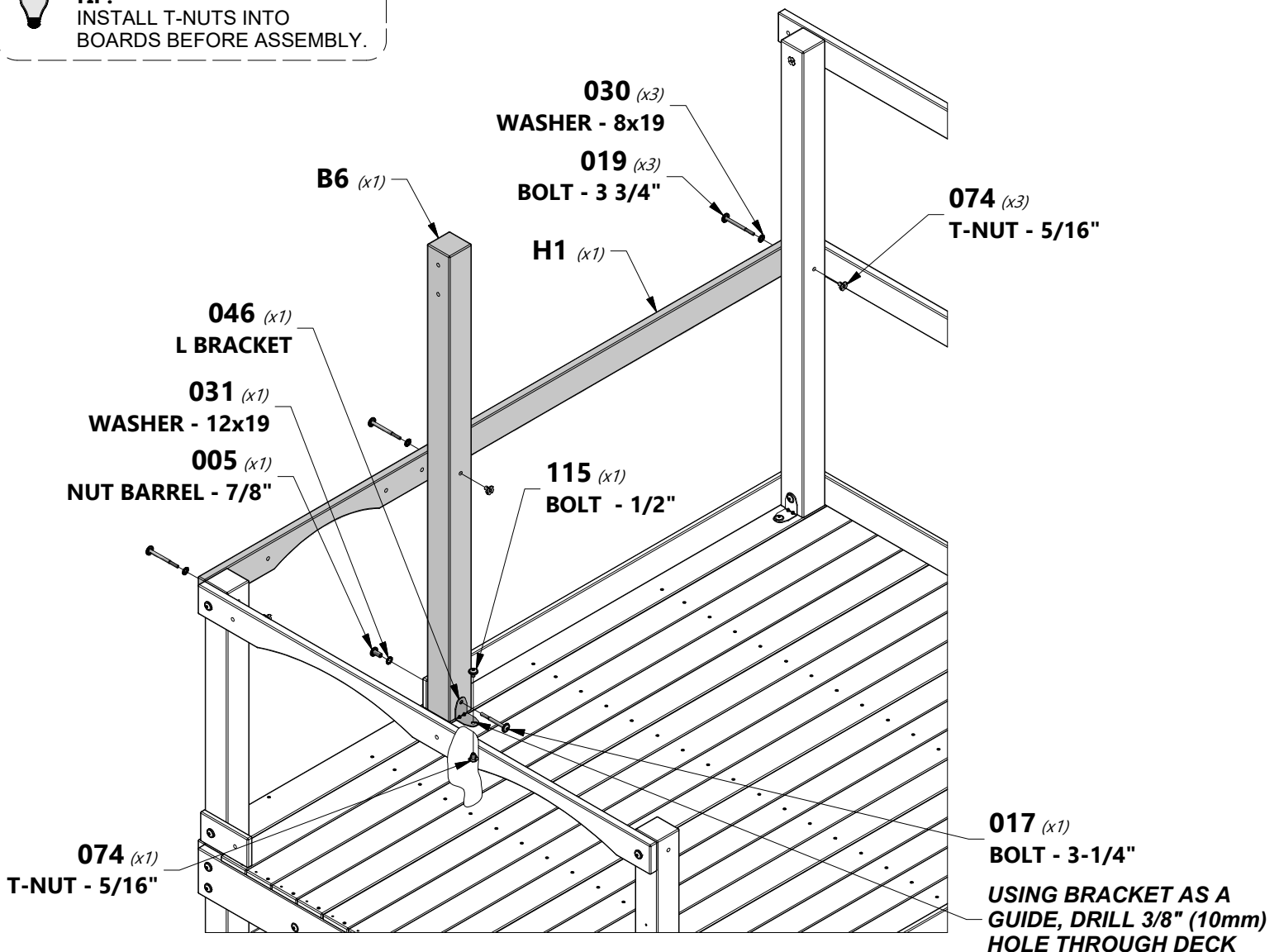
**H100031** | WASHER LOCK  
(1) | EXT  
12x19



**H100030** | WASHER LOCK  
(3) | EXT  
8x19



**TIP:**  
INSTALL T-NUTS INTO  
BOARDS BEFORE ASSEMBLY.

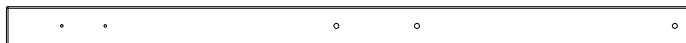




**A4M01046 | L BRACKET**  
(1) | 2.5x38x55x55



**H2 | WALL RAIL - W4L15900**  
(1) | 1"x3 3/8"x80" (24x86x2032)



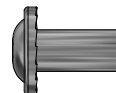
**B7 | FRONT RIGHT CLUB HOUSE CORNER - W4L04617**  
(1) | 3"x3"x53 7/8" (76x76x1370)



**H100019 | BOLT WH**  
(3) | 5/16x3 3/4



**H100017 | BOLT WH**  
(1) | 5/16x3 1/4



**H100005 | NUT BARREL WH**  
(1) | 5/16x7/8



**H100115 | BOLT WH**  
(1) | 5/16x1/2



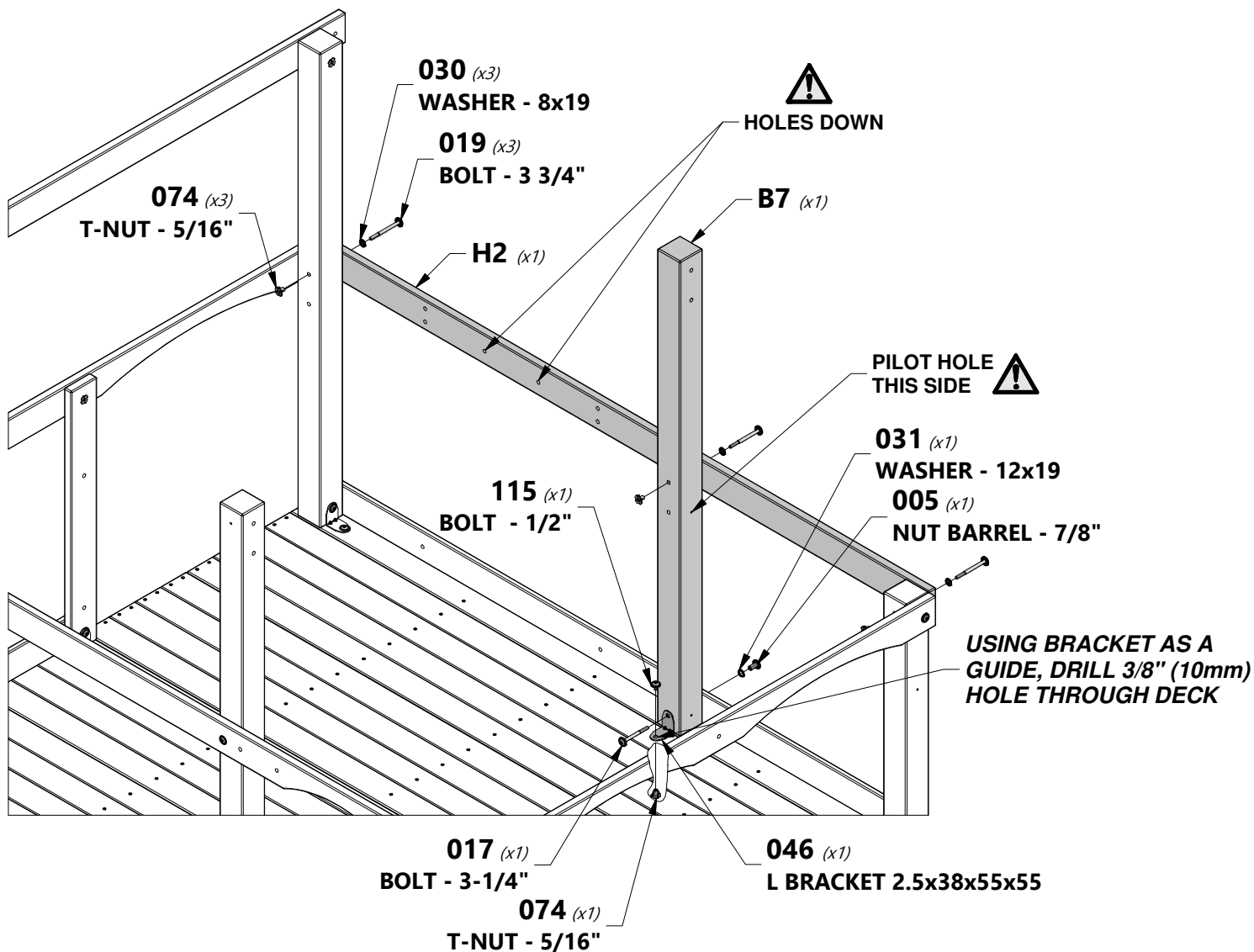
**H100030 | WASHER LOCK  
EXT**  
(3) | 8x19

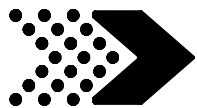


**H100031 | WASHER LOCK  
EXT**  
(1) | 12x19

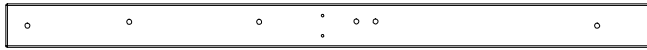


**H100074 | T-NUT**  
(4) | 5/16

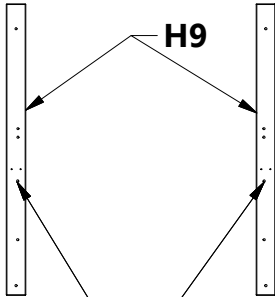




**A100396 | L BRACKET**  
(2) | 51x32x82x3.175



**H9 | FORT WALL BOARD - W4L15916**  
(2) | 1"x3 3/8"x50 1/2" (24x86x1284)



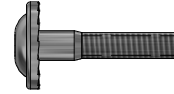
**NOTE:**  
HOLES ARE CLOSER TO THE INSIDE  
WHEN INSTALLED.



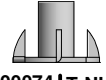
**H100044 | BOLT HEX**  
(4) | 5/16x2



**H100030 | WASHER LOCK  
EXT**  
(2) | 8x19



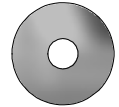
**H100010 | BOLT WH**  
(2) | 5/16x1-1/2



**H100074 | T-NUT**  
(6) | 5/16



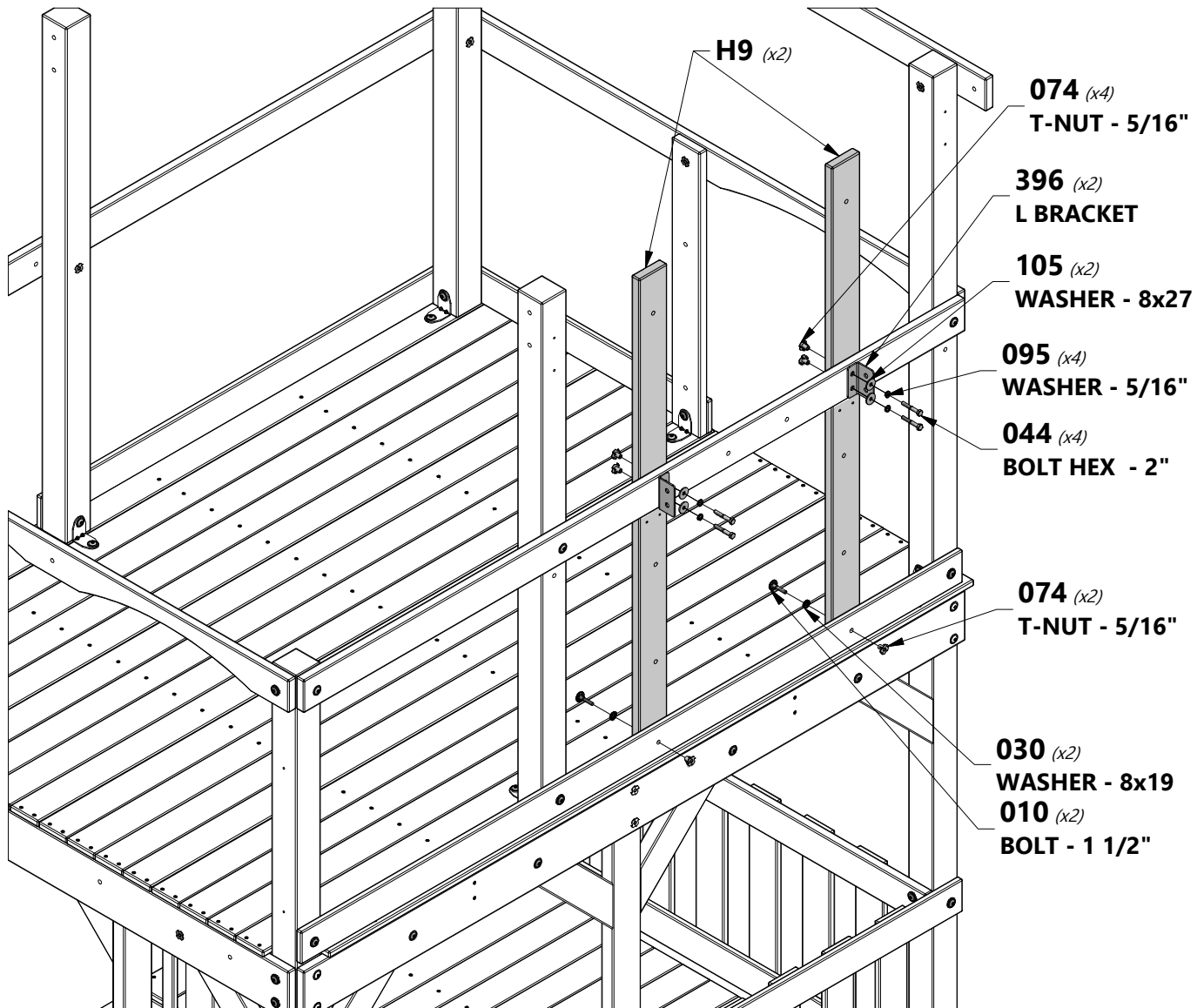
**H100095 | WASHER SPLIT**  
(4) | 5/16



**H100105 | WASHER FLAT**  
(4) | 8x27

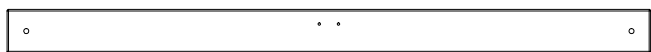


**TIP:**  
INSTALL T-NUTS INTO  
BOARDS BEFORE ASSEMBLY.

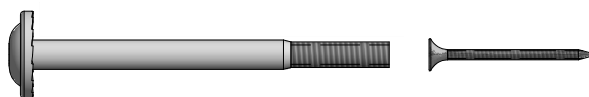




**K5** | CLUB HOUSE WALL RAIL - W4L04626  
(1) | 5/8"x5 1/4"x50 1/4" (16x134x1277)



**H14** | SWING BEAM MOUNT - W4L04628  
(1) | 1"x3 3/8"x50 1/4" (24x86x1277)



**H100019** | BOLT WH  
(2) | 5/16x3 3/4

**H100089** | SCREW PFH  
(4) | 8x1 3/4



**H100074** | T-NUT  
(4) | 5/16



**H100027** | LAG SCREW WH  
(4) | 5/16x2



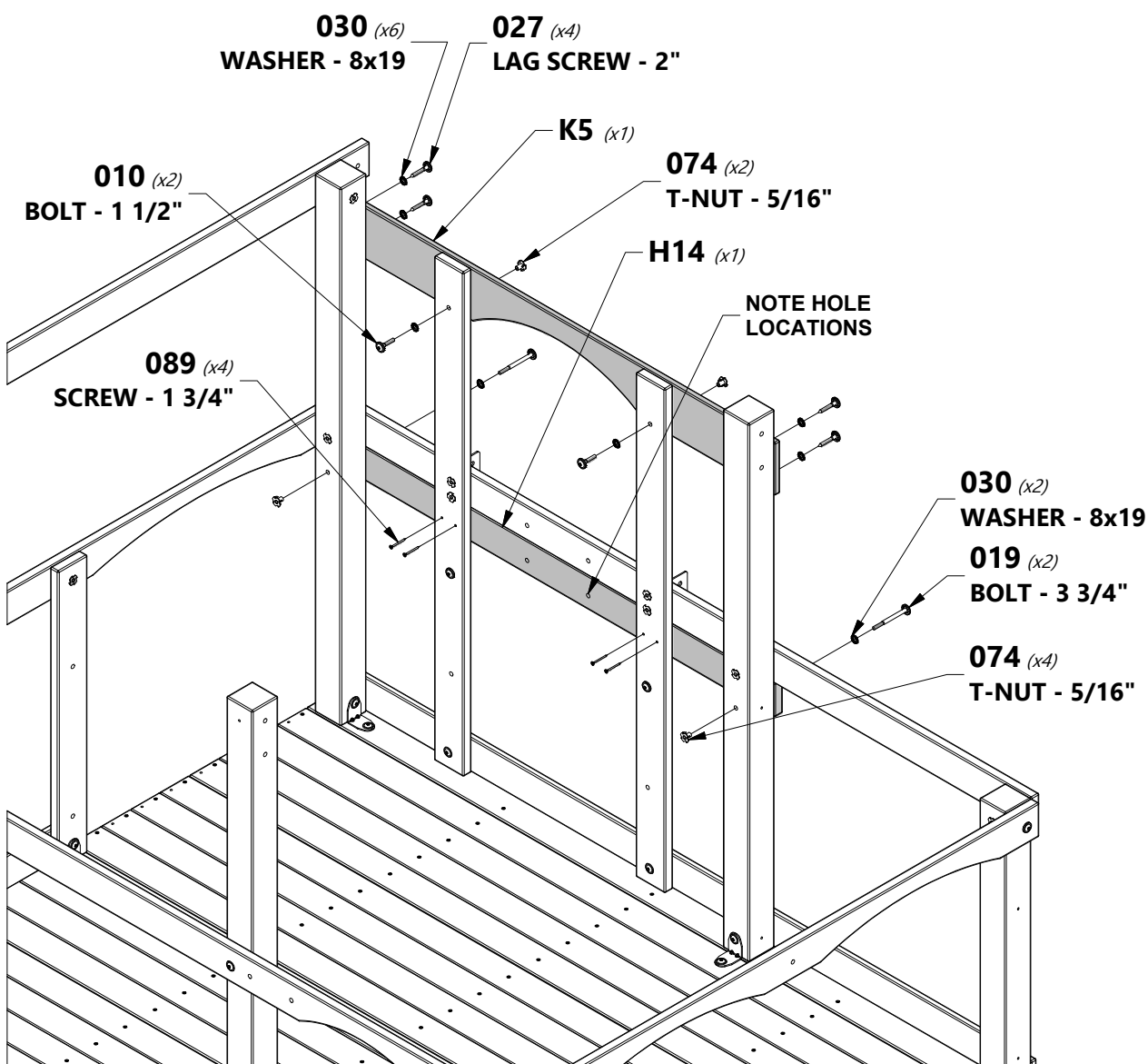
**H100010** | BOLT WH  
(2) | 5/16x1-1/2

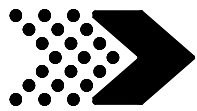


**H100030** | WASHER LOCK  
(8) | EXT  
8x19



**TIP:**  
INSTALL T-NUTS INTO  
BOARDS BEFORE ASSEMBLY.





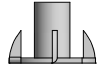
(1) LADDER ASSEMBLY



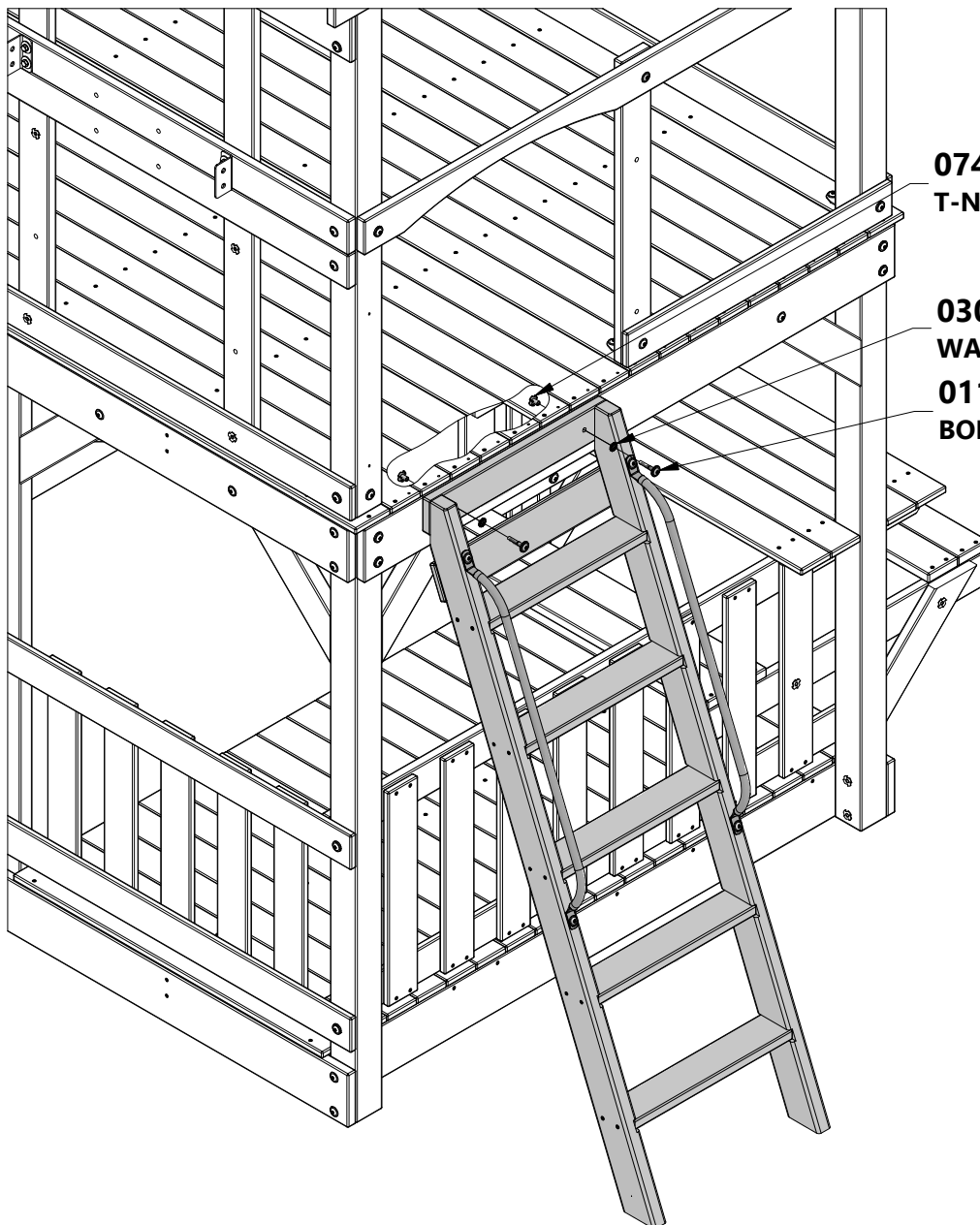
H100011 | BOLT WH  
(2) | 5/16x1 3/4



H100030 | WASHER LOCK  
(2) | EXT  
8x19



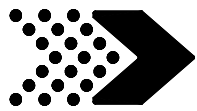
H100074 | T-NUT  
(2) | 5/16



074 (x2)  
T-NUT - 5/16"

030 (x2)  
WASHER - 8x19

011 (x2)  
BOLT - 1 3/4"



**H4** | ROOF SUPPORT RAIL - W4L04623  
(1) | 1"x3 3/8"x67 1/4" (24x86x1709)



**H100019** | BOLT WH  
(4) | 5/16x3 3/4



**H7** | FRONT CLUB HOUSE WALL RAIL - W4L04625  
(1) | 1"x3 3/8"x60 1/2" (24x86x1537)



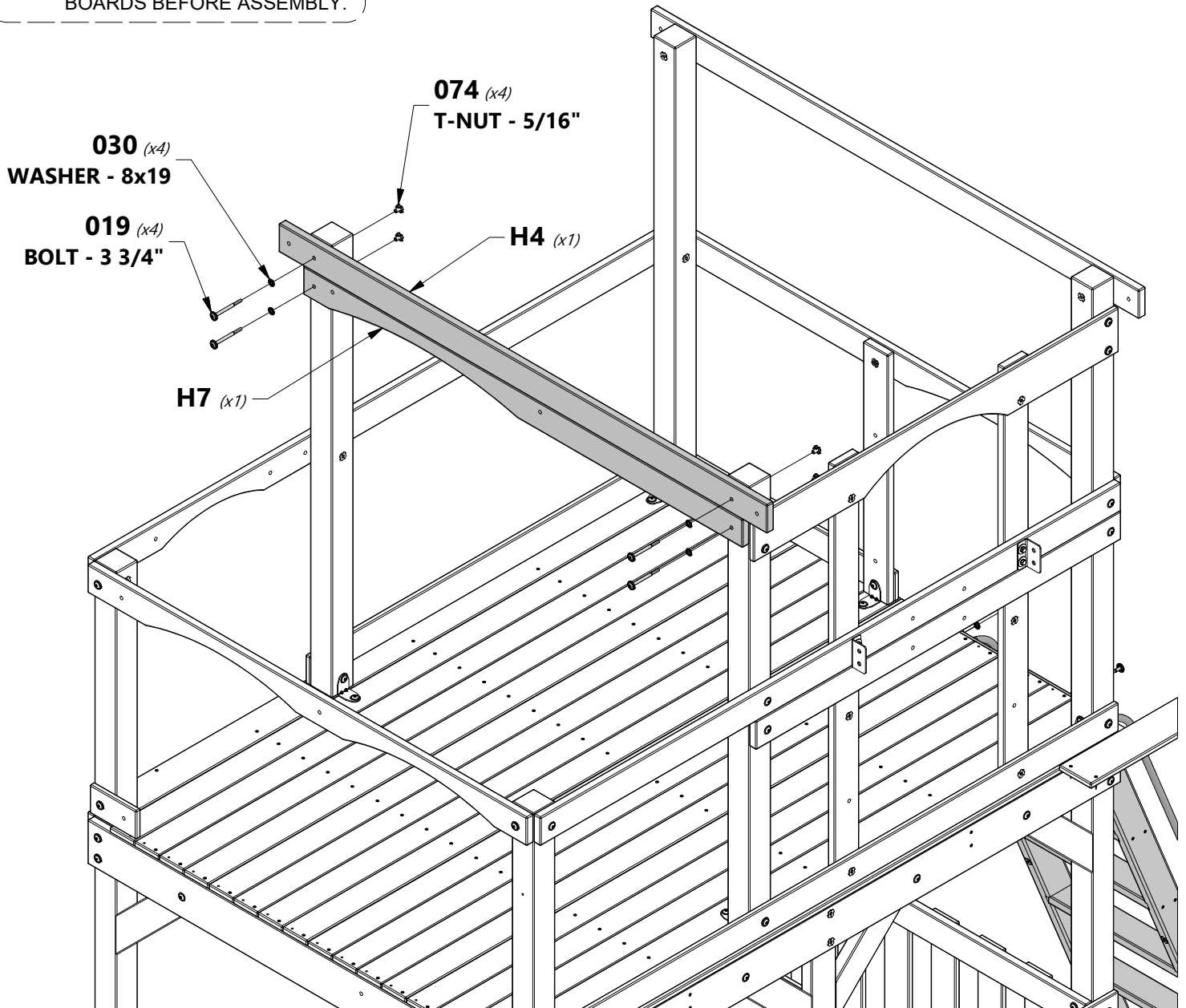
**H100074** | T-NUT  
(4) | 5/16

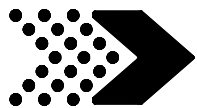


**H100030** | WASHER LOCK  
(4) | EXT  
8x19



**TIP:**  
INSTALL T-NUTS INTO  
BOARDS BEFORE ASSEMBLY.

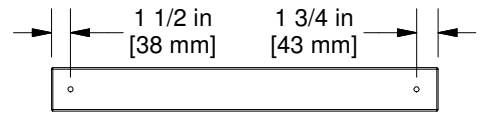




**A4M01046** | L BRACKET  
(1) | 2.5x38x55x55



**H8** | CLUB HOUSE LEG - W4L04637  
(1) | 1"x3 3/8"x50 1/2" (24x86x1284)



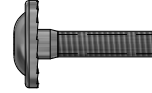
**M21** | CLUB HOUSE WALL RAIL - W4L04613  
(2) | 5/8"x3 3/8"x30 1/4" (16x86x768)



**H100027** | LAG SCREW WH  
(2) | 5/16x2



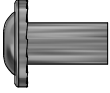
**H100010** | BOLT WH  
(1) | 5/16x1-1/2



**H100009** | BOLT WH  
(1) | 5/16x1 1/4



**H100115** | BOLT WH  
(1) | 5/16x1/2



**H100005** | NUT BARREL WH  
(1) | 5/16x7/8



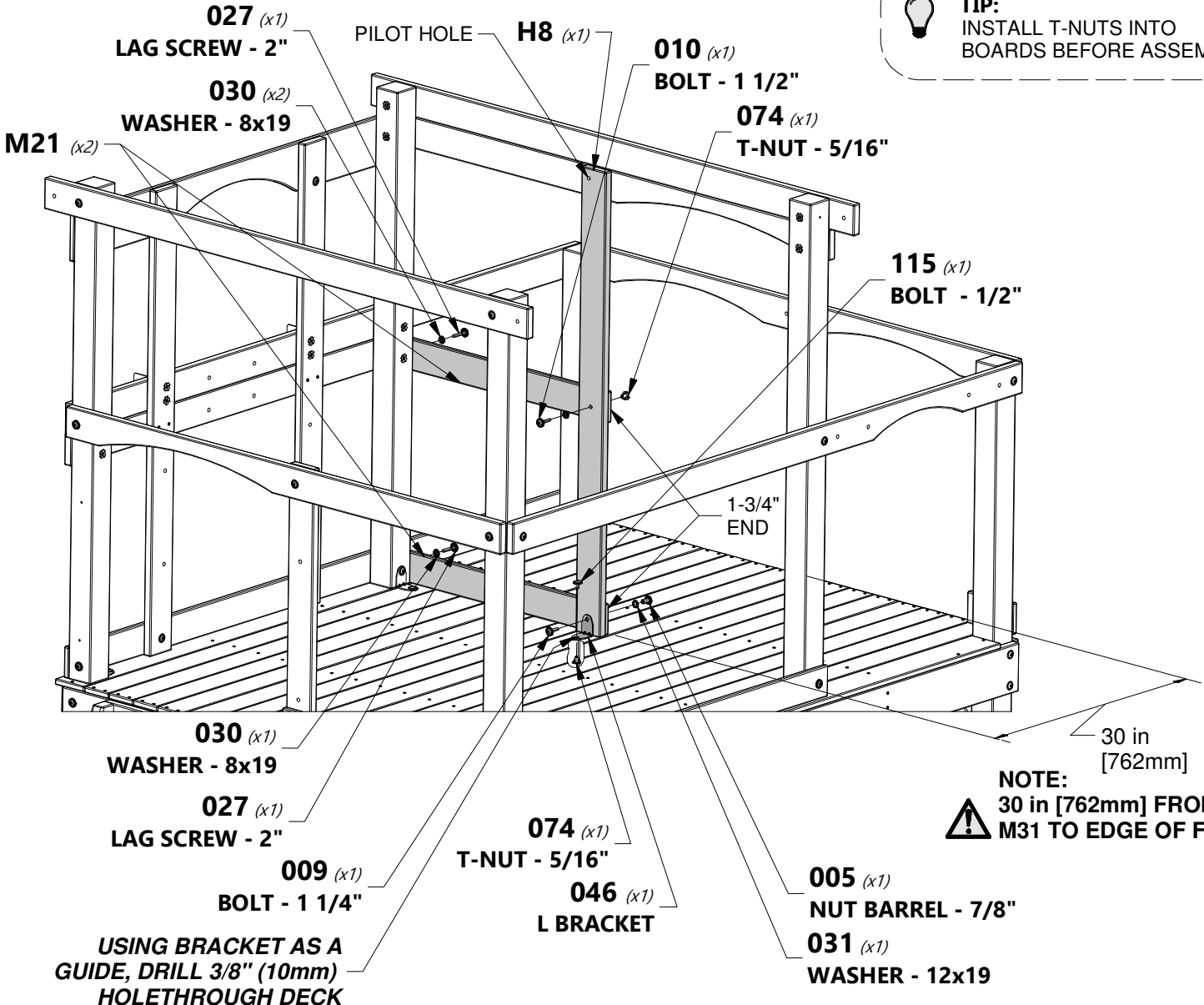
**H100031** | WASHER LOCK  
(1) | EXT  
12x19



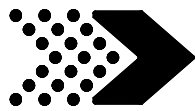
**H100030** | WASHER LOCK  
(3) | EXT  
8x19



**H100074** | T-NUT  
(2) | 5/16



**TIP:** INSTALL T-NUTS INTO BOARDS BEFORE ASSEMBLY.



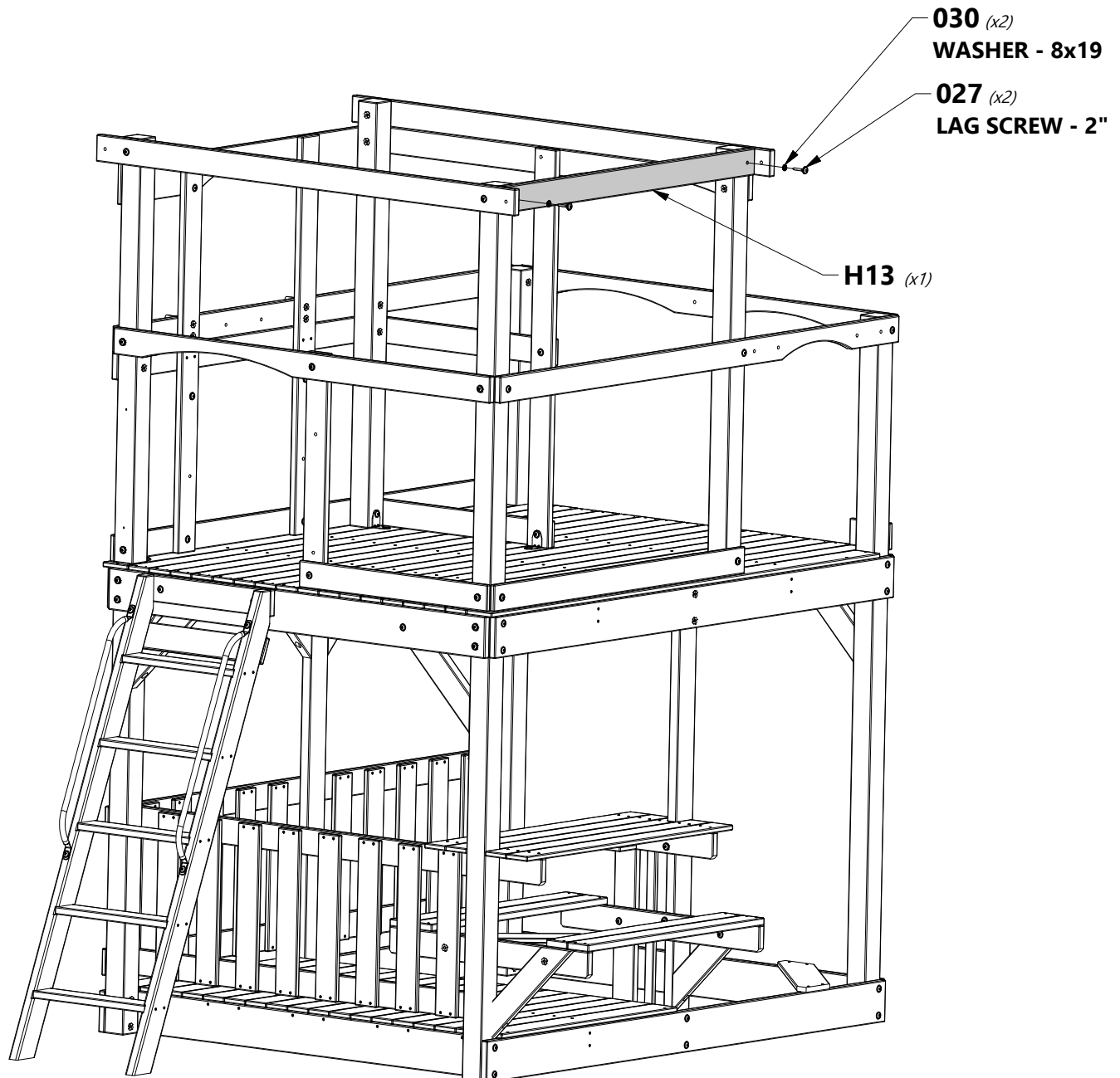
**H13** | CLUB HOUSE WALL RAIL - W4L04624  
(1) | 1"x3 3/8"x50 1/4" (24x86x1277)

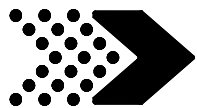


**H100027** | LAG SCREW WH  
(2) | 5/16x2



**H100030** | WASHER LOCK  
(2) | EXT  
8x19



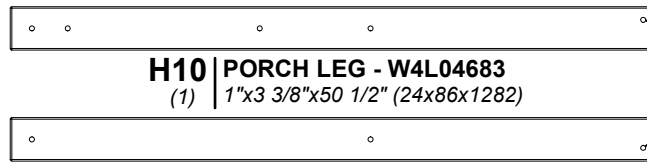


# FORT ASSEMBLY

# STEP 33



**A4M01046** | L BRACKET  
(1) | 2.5x38x55x55



**H10** | PORCH LEG - W4L04683  
(1) | 1"x3 3/8"x50 1/2" (24x86x1282)



**H11** | PORCH LEG - W4L04610  
(1) | 1"x3 3/8"x50 1/2" (24x86x1282)

**NOTE:**  
HOLES GO OUTWARD  
WHEN INSTALLED.



**H100011** | BOLT WH  
(2) | 5/16x1 3/4



**H100010** | BOLT WH  
(1) | 5/16x1-1/2



**H100115** | BOLT WH  
(2) | 5/16x1/2



**H100005** | NUT BARREL WH  
(1) | 5/16x7/8



**H100030** | WASHER LOCK  
(3) | EXT  
8x19



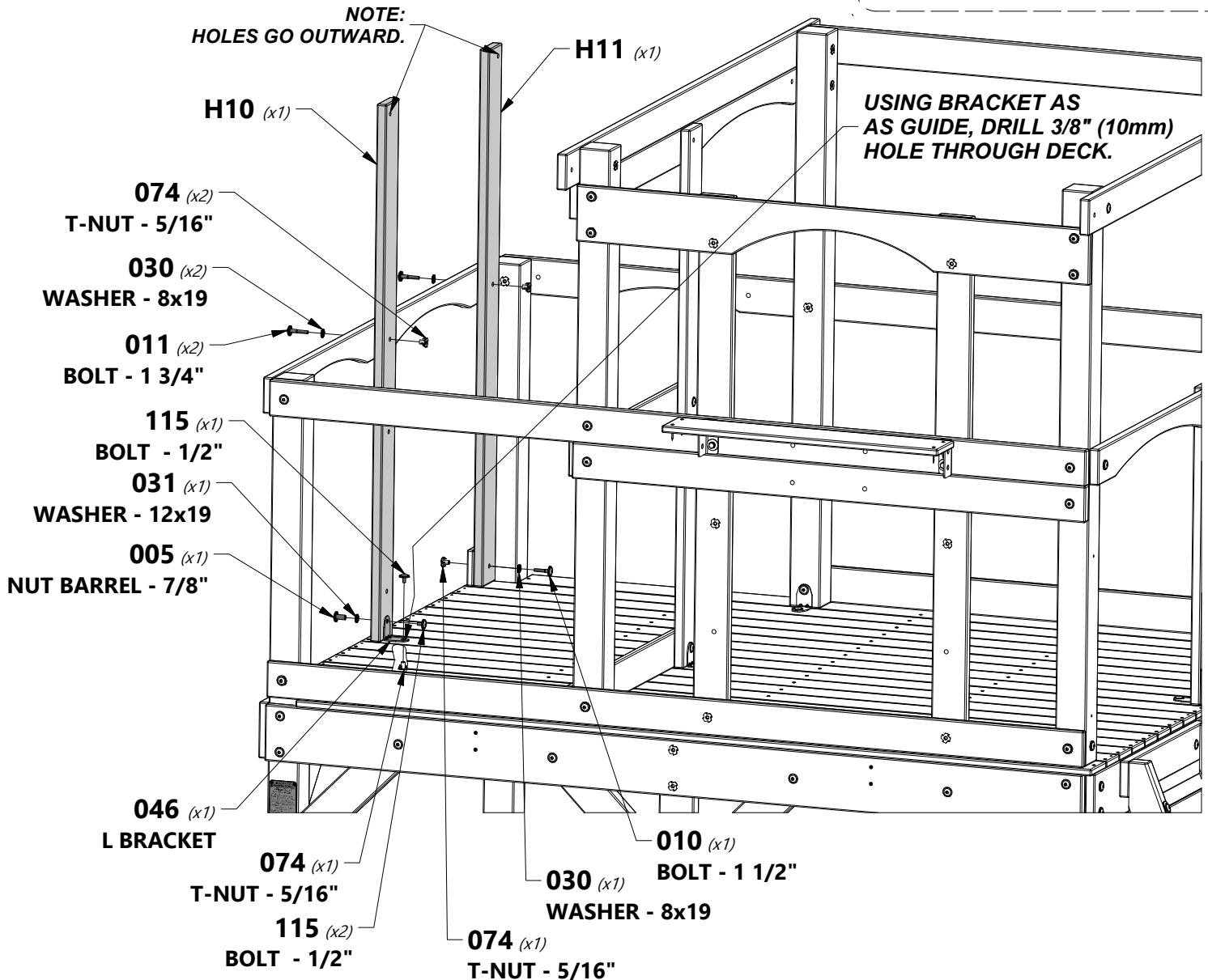
**H100031** | WASHER LOCK  
(1) | EXT  
12x19

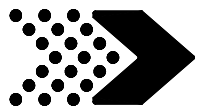


**H100074** | T-NUT  
(4) | 5/16



**TIP:**  
INSTALL T-NUTS INTO  
BOARDS BEFORE ASSEMBLY.

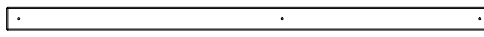




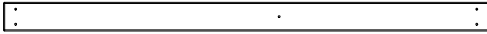
**H100088 | SCREW PFH**  
(56) | 8x1 1/8



**M8 | CLUB HOUSE WALL BOARD - W4L04630**  
(2) | 5/8"x3 3/8"x50 1/2" (16x86x1284)



**N1 | CLUB HOUSE WALL BOARD - W4L04629**  
(2) | 5/8"x2 3/8"x50 1/2" (16x60x1284)



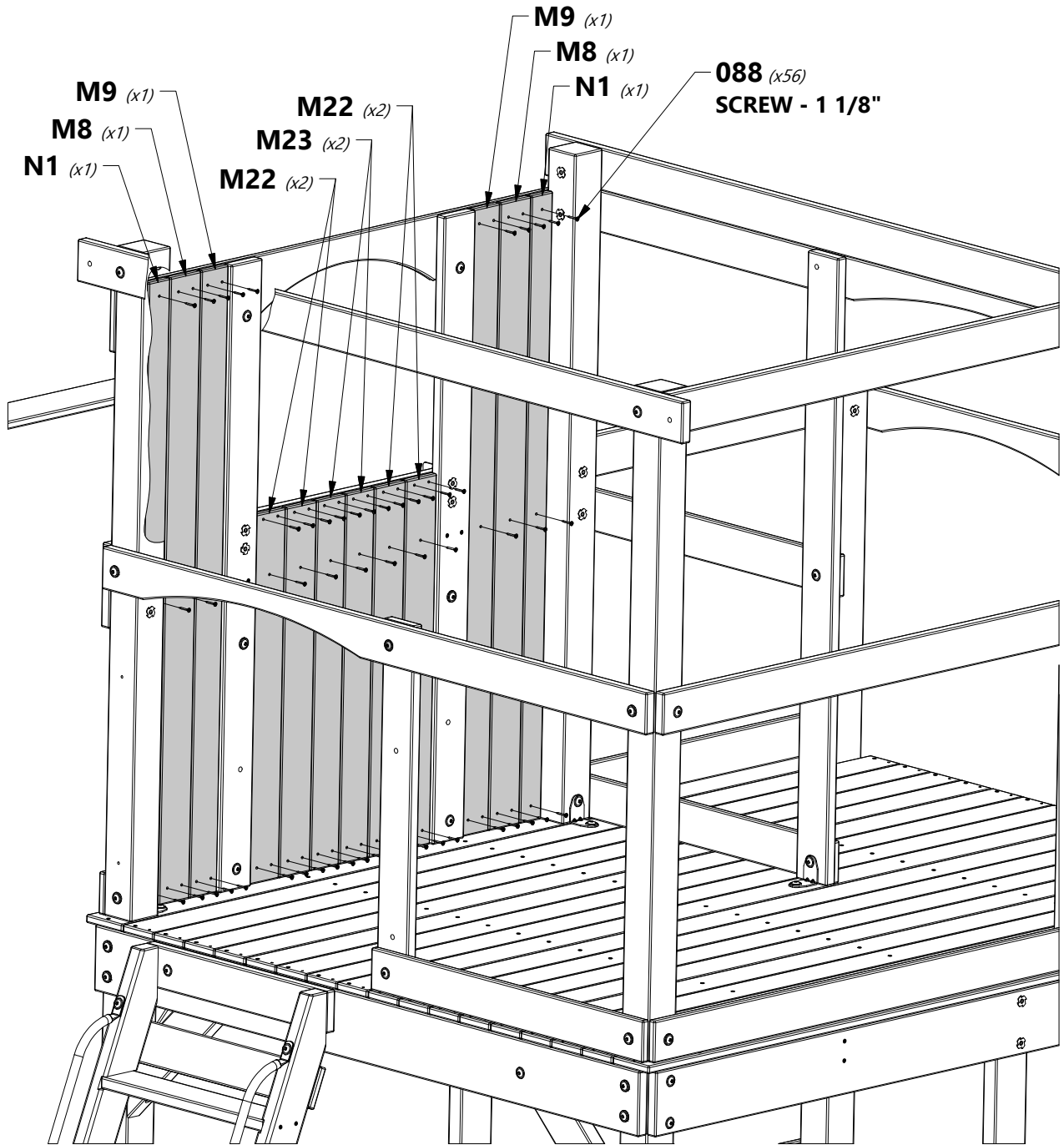
**M9 | CLUB HOUSE WALL BOARD - W4L04631**  
(2) | 5/8"x3"x50 1/2" (16x76x1284)

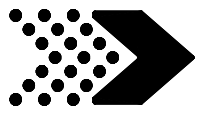


**M23 | CLUB HOUSE WALL BOARD - W4L04634**  
(2) | 5/8"x3 1/8"x29 7/8" (16x80x758)



**M22 | CLUB HOUSE WALL BOARD - W4L04633**  
(4) | 5/8"x3 3/8"x29 7/8" (16x86x758)





**M26** | WALL BOARD - W4L04636  
(2) | 5/8"x3 3/8"x26 1/8" (16x86x664)



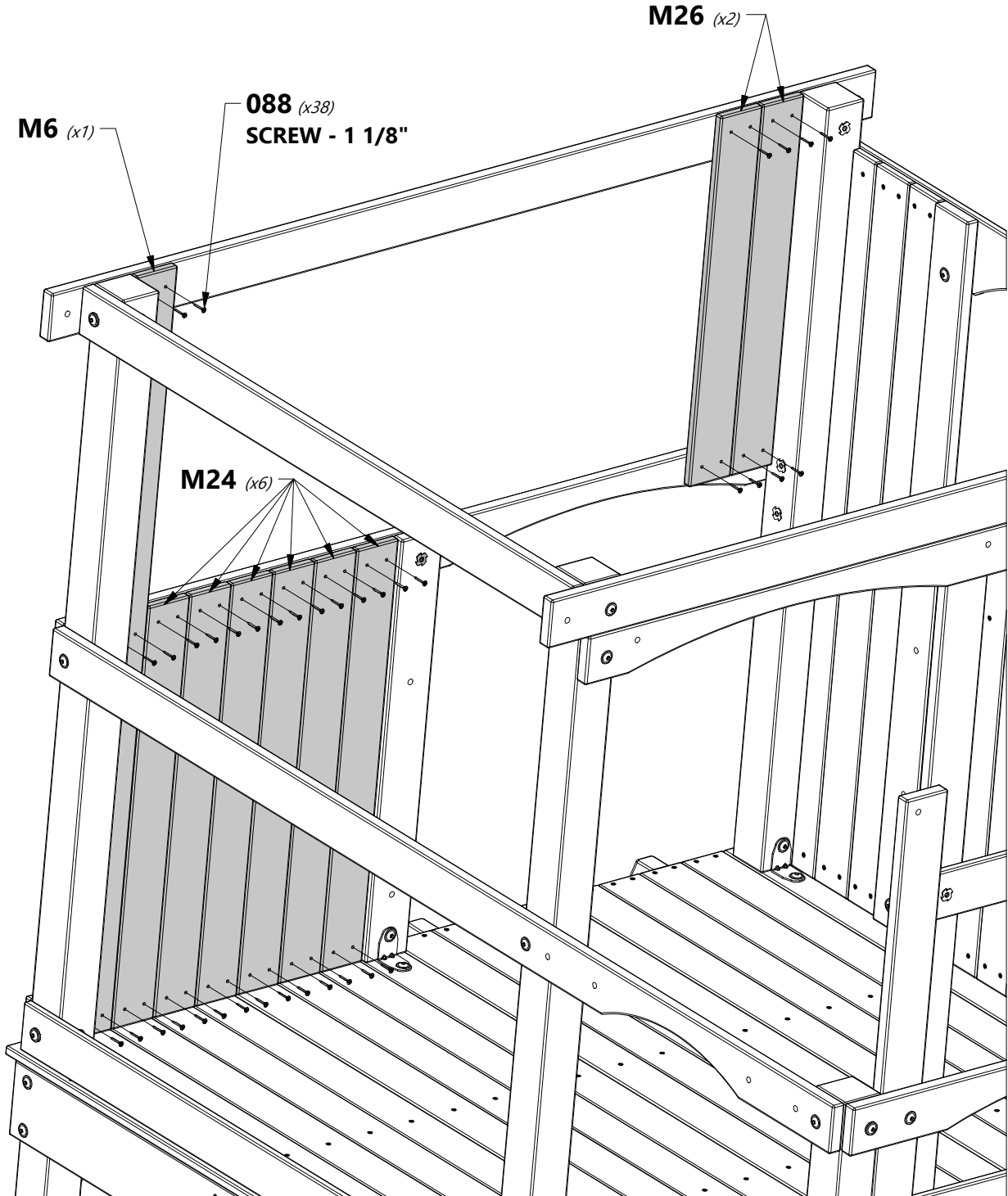
**M24** | WALL BOARD - W4L04632  
(6) | 5/8"x3 3/8"x29 7/8" (16x86x758)

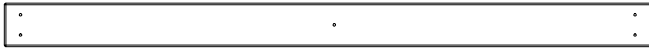
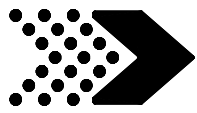


**M6** | CLUB HOUSE WALL BOARD - W4L04635  
(1) | 5/8"x3 3/8"x53 7/8" (16x86x1370)



**H100088** | SCREW PFH  
(38) | 8x1 1/8





**M8** | FORT WALL BOARD - W4L15914  
(5) | 5/8"x3 3/8"x50 1/2" (16x86x1284)



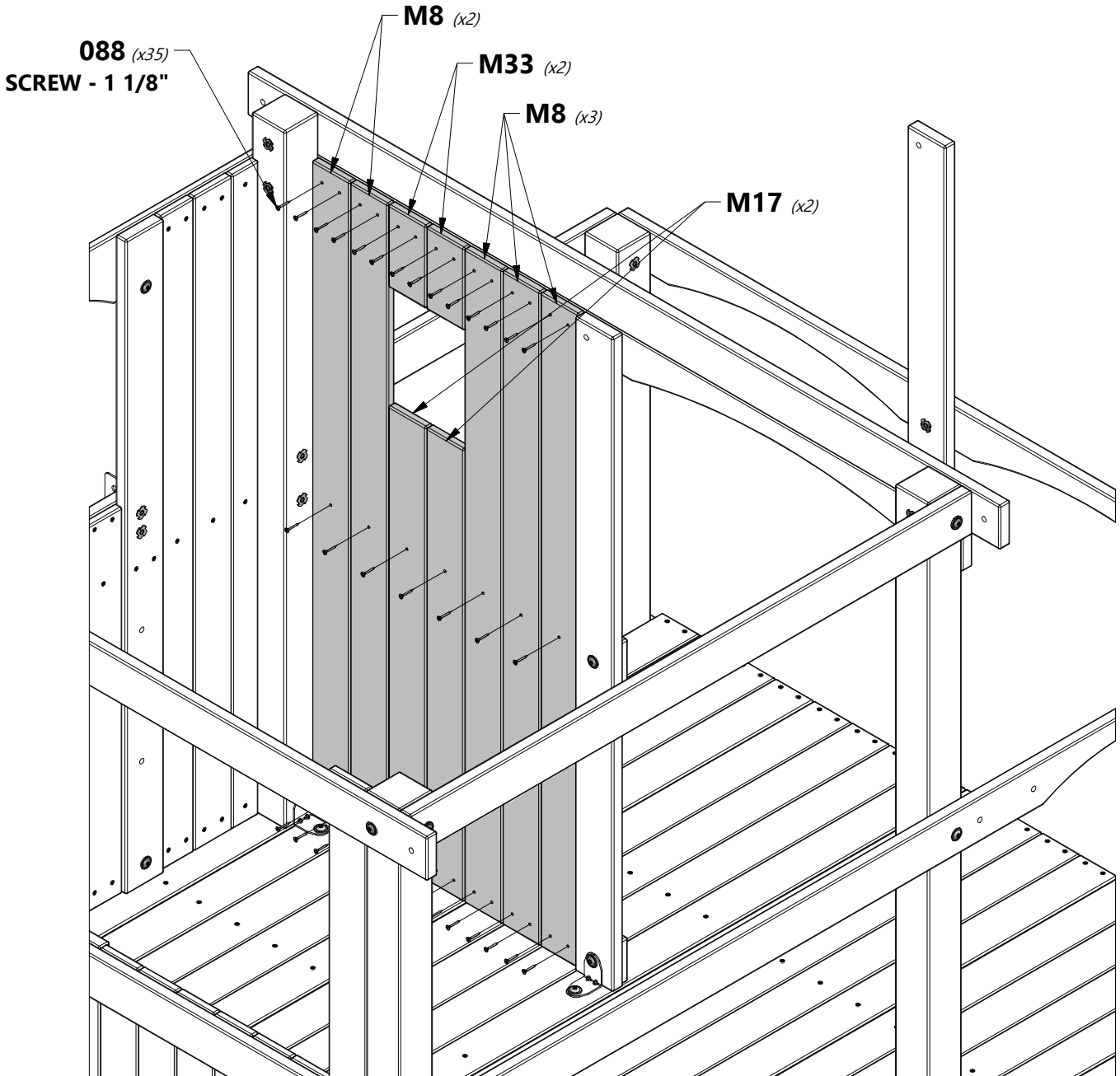
**M33** | FRONT WINDOW WALL BOARD - W4L04638  
(2) | 5/8"x3 3/8"x6 3/8" (16x86x162)

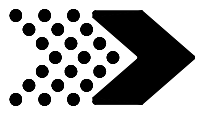


**M17** | FRONT WINDOW WALL BOARD - W4L04639  
(2) | 5/8"x3 3/8"x35" (16x86x889)



**H100088** | SCREW PFH  
(35) | 8x1 1/8"

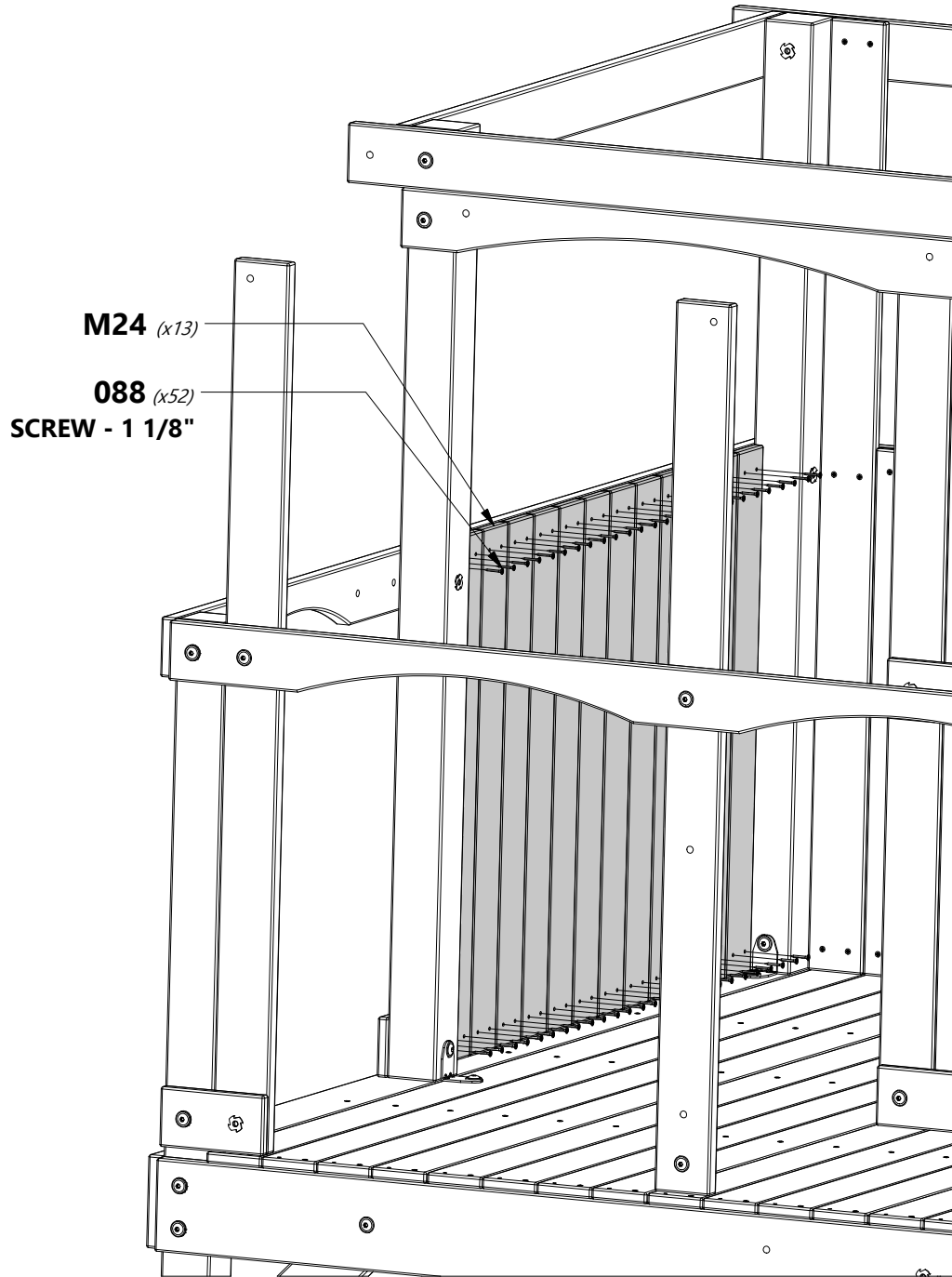


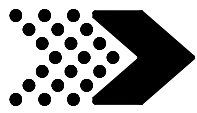


**M24** | WALL BOARD - W4L04632  
(13) | 5/8"x3 3/8"x29 7/8" (16x86x758)



**H100088** | SCREW PFH  
(52) | 8x1 1/8

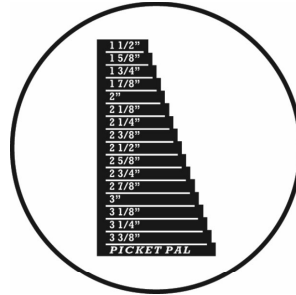




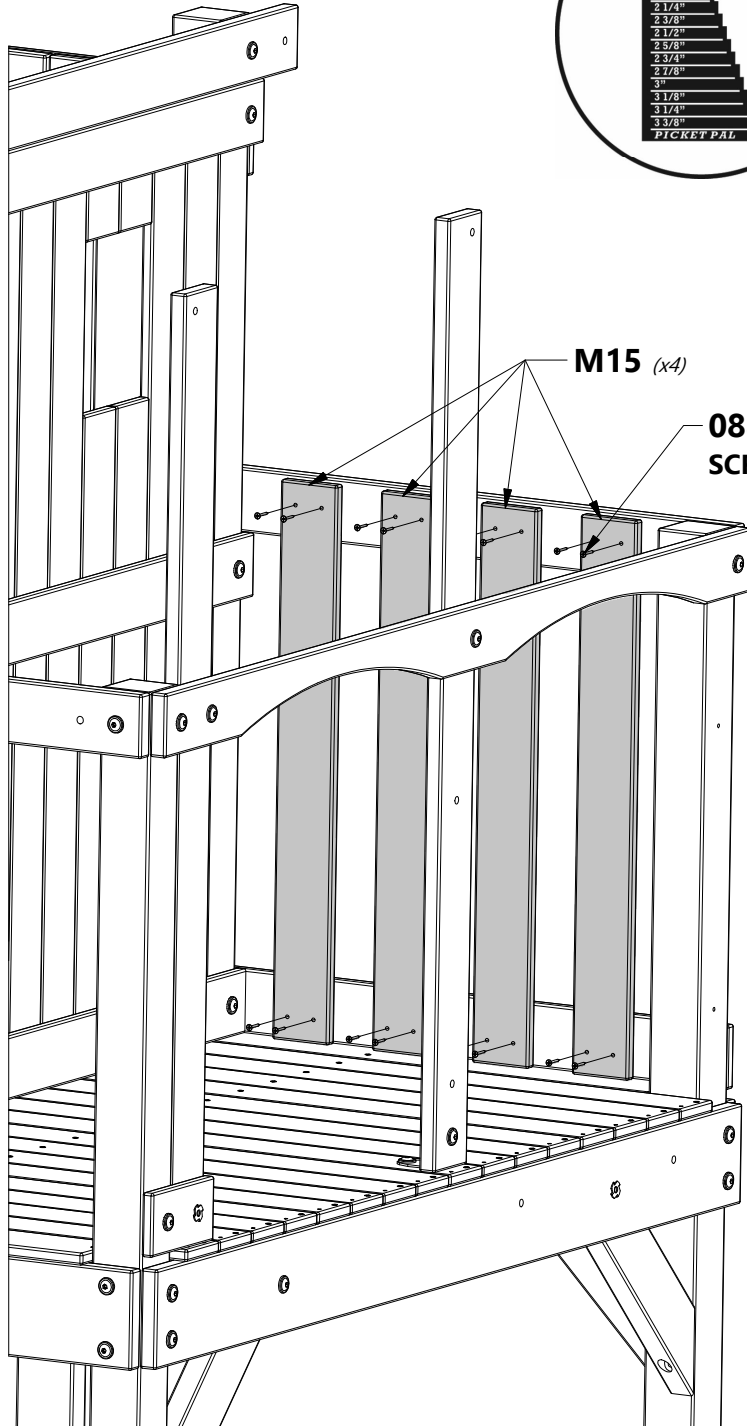
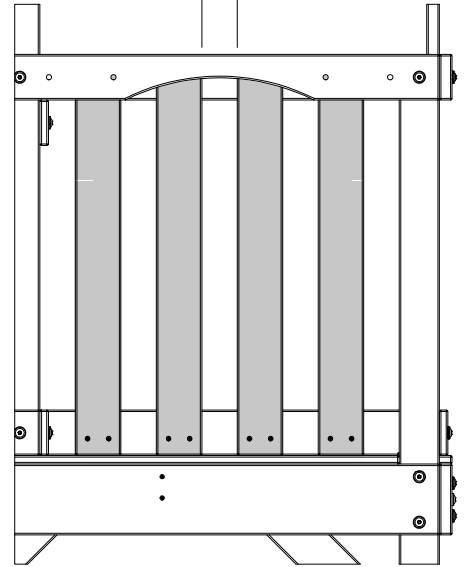
**M15 | WALL BOARD - W4L15943**  
(4) 5/8"x3 3/8"x29 7/8" (16x86x758)



**H100088 | SCREW PFH**  
(16) 8x1 1/8

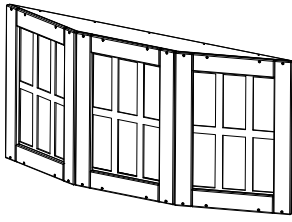
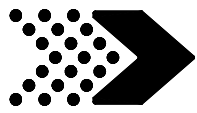


2 5/8 in  
EQUAL SPACING



**M15 (x4)**

**088 (x16)**  
**SCREW - 1 1/8"**



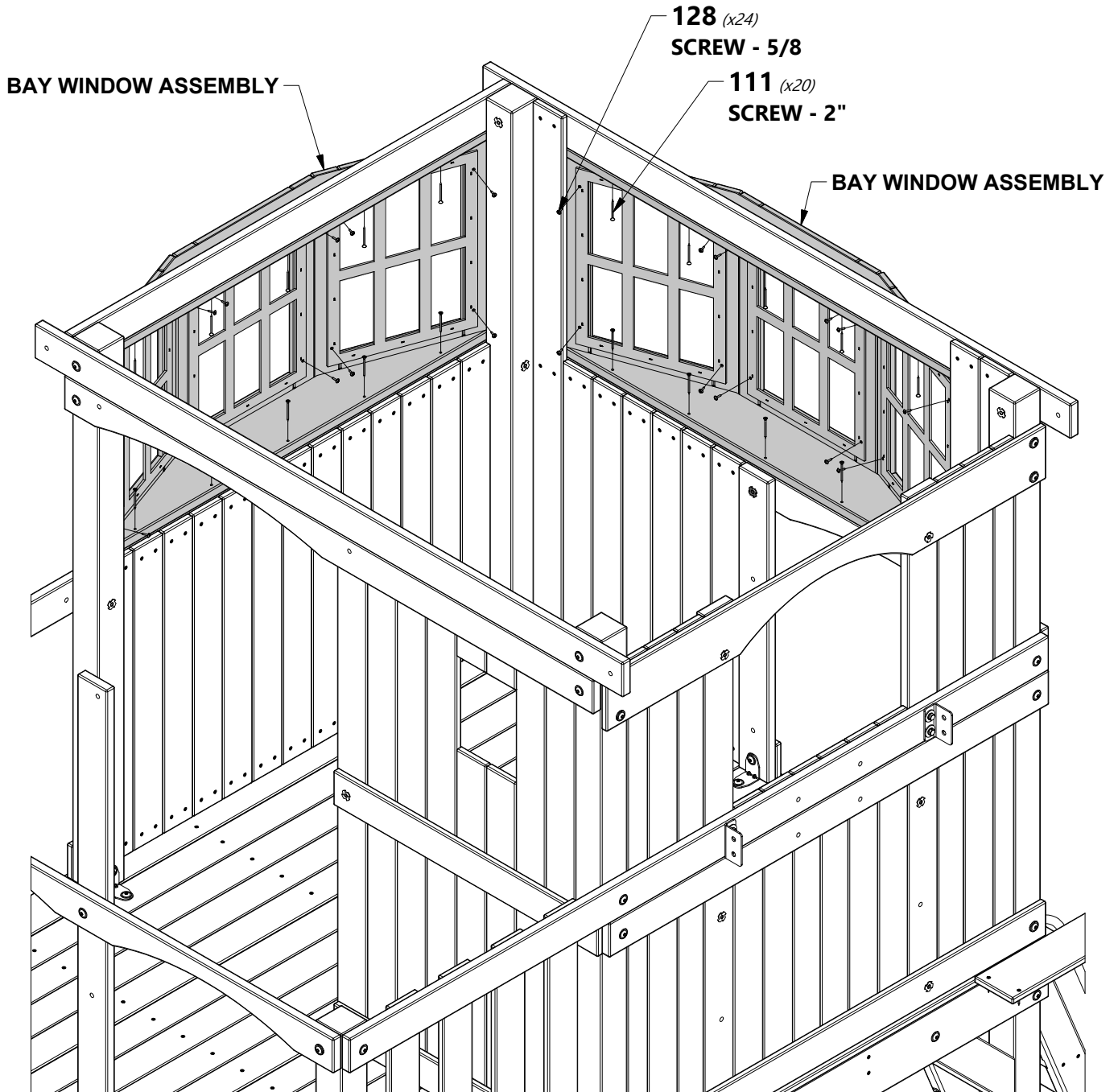
(2) BAY WINDOW ASSEMBLY

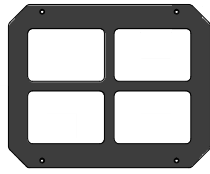
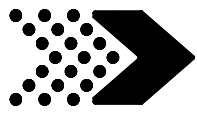


**H100111 | SCREW PFH**  
(20) | 8x2



**H100128 | SCREW PWH**  
(24) | 8x5/8

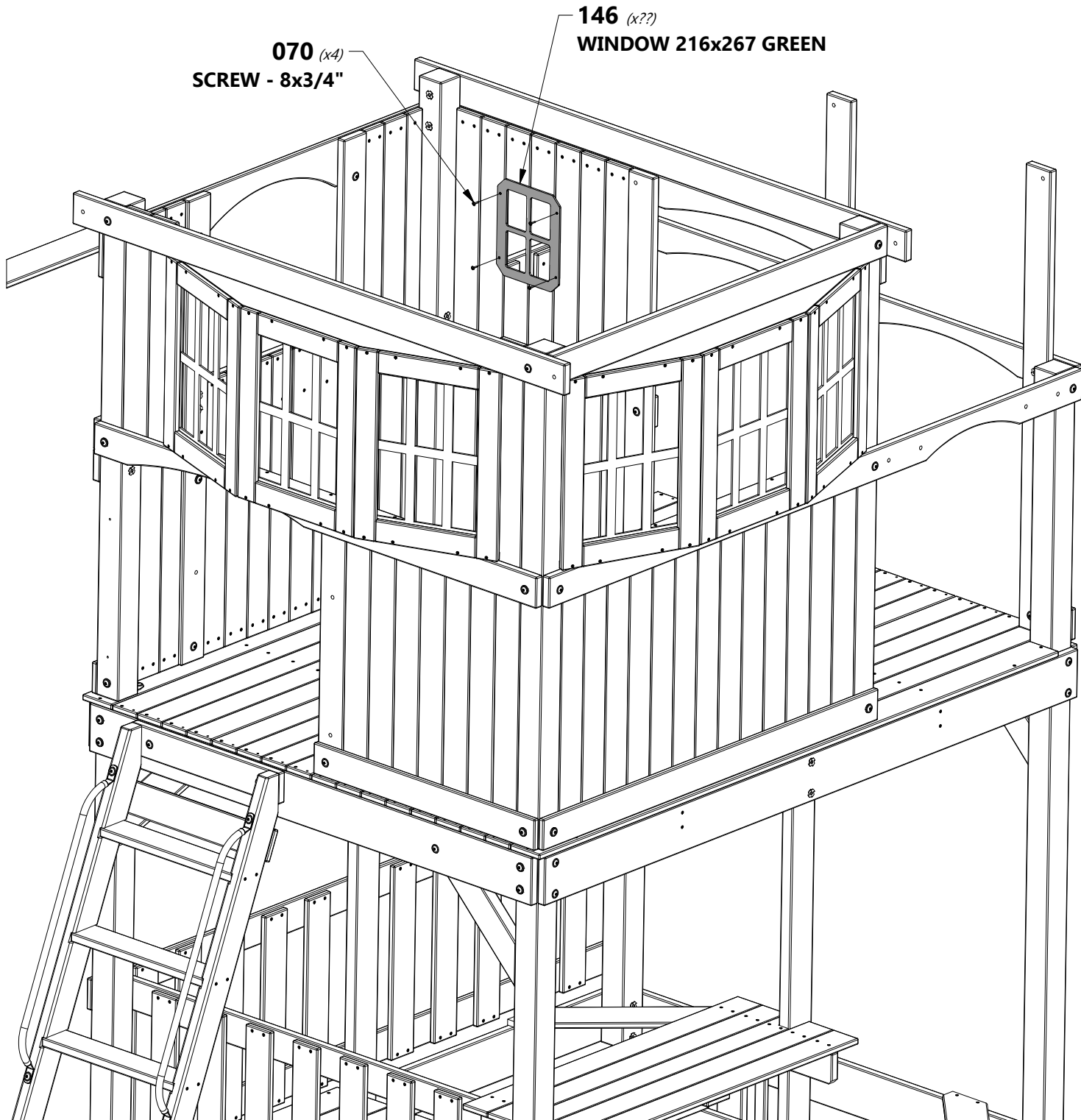


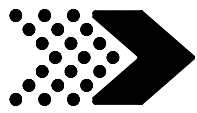


**A100146 | WINDOW**  
*(1)* | **216x267 GREEN**

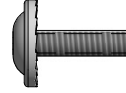


**H100070 | SCREW PWH**  
*(4)* | **8x3/4**

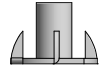




**A100324** | LADDER RUNG  
(2) | 578 GREEN



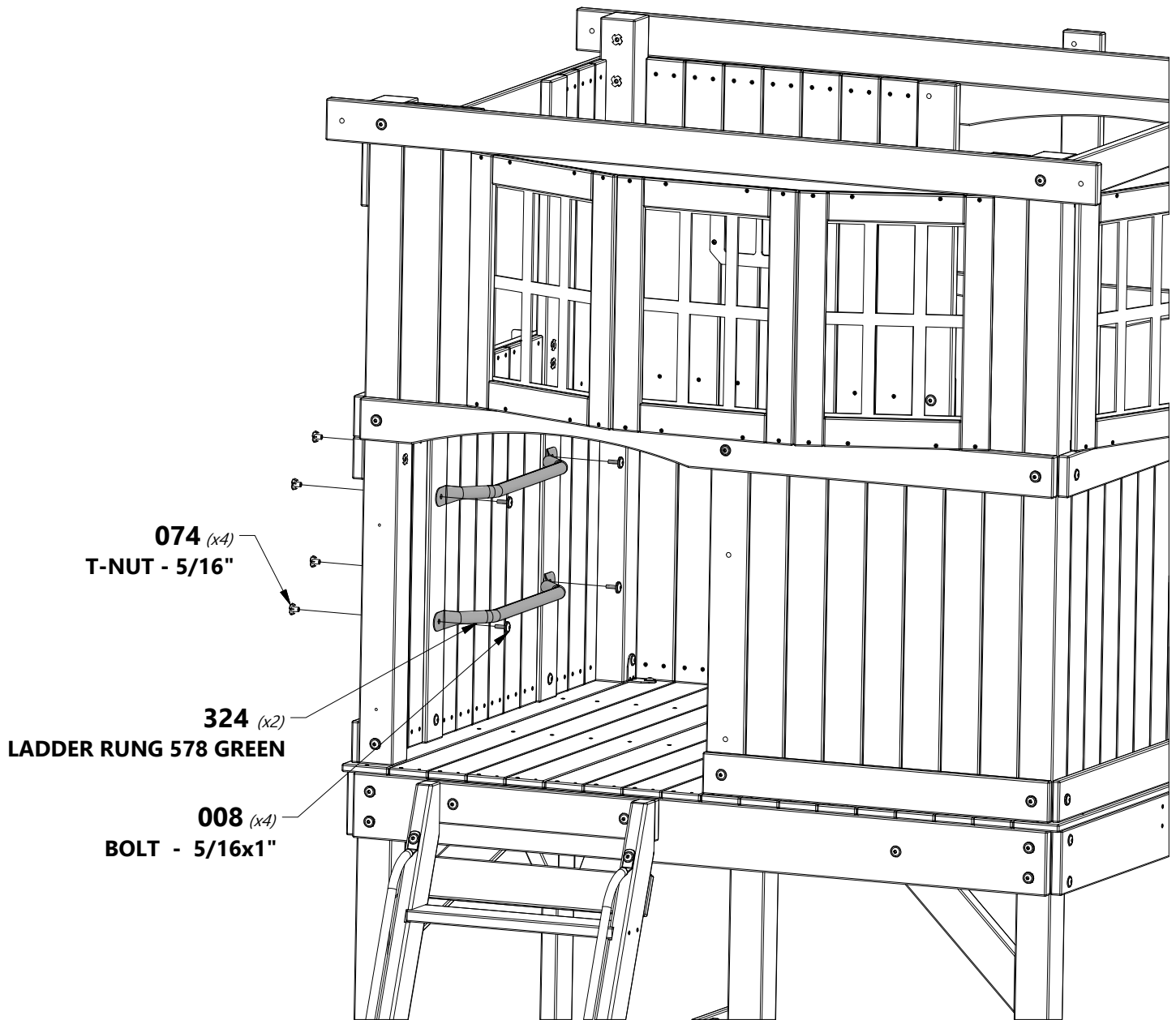
**H100008** | BOLT WH  
(4) | 5/16x1

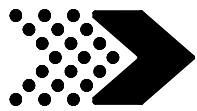


**H100074** | T-NUT  
(4) | 5/16



**TIP:**  
INSTALL T-NUTS INTO  
BOARDS BEFORE ASSEMBLY.





**H12** | ROOF RAFTER - W4L04640  
(4) | 1"x3 3/8"x50 3/8" (24x86x1278)



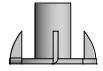
**H100011** | BOLT WH  
(4) | 5/16x1 3/4



**H100030** | WASHER LOCK  
(4) | EXT  
8x19



**H100091** | SCREW PFH  
(2) | 8X2 1/4

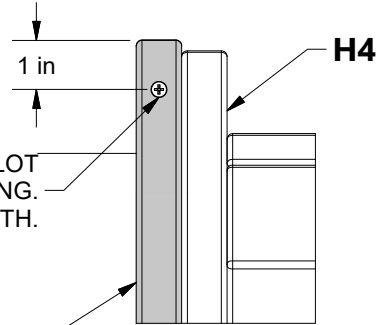


**H100074** | T-NUT  
(4) | 5/16

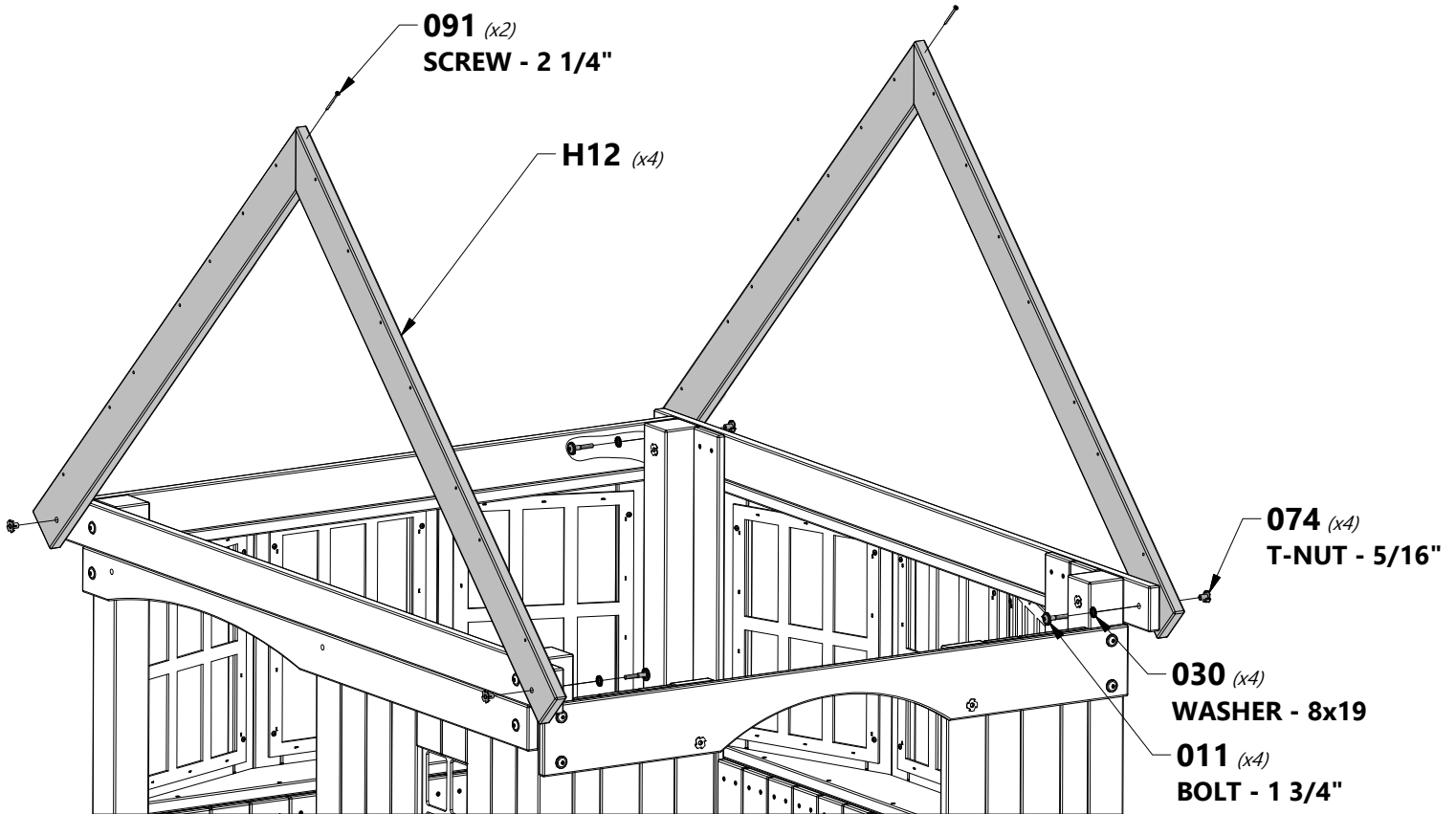


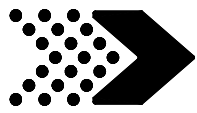
**TIP:**  
INSTALL T-NUTS INTO  
BOARDS BEFORE ASSEMBLY.

USING A 3/16" DRILL BIT, MARK AND DRILL A PILOT  
HOLE INTO 'H12' RAFTER TO PREVENT SPLITTING.  
ONLY DRILL THROUGH ONE RAFTER NOT BOTH.



**H12** (x4)





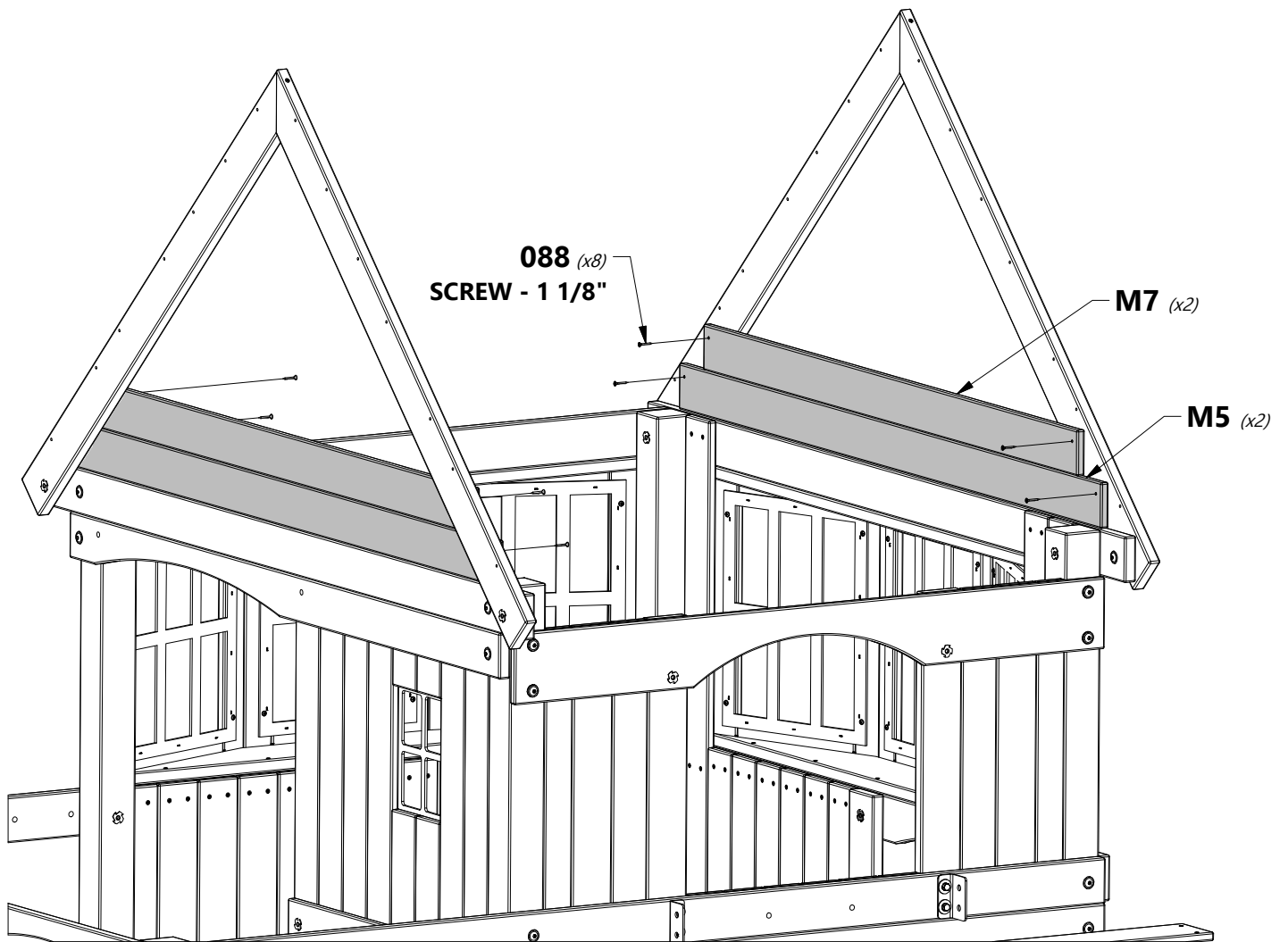
**M5** | GABLE BOARD - W4L04641  
(2) | 5/8"x3 3/8"x59 1/2" (16x86x1510)

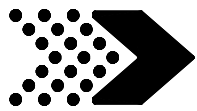


**M7** | GABLE BOARD - W4L04642  
(2) | 5/8"x3 3/8"x52 5/8" (16x86x1338)



**H100088** | SCREW PFH  
(8) | 8x1 1/8





**N6** | WINDOW TRIM - W4L04646  
 (2) | 5/8"x2 3/8"x12 1/4" (16x60x310)

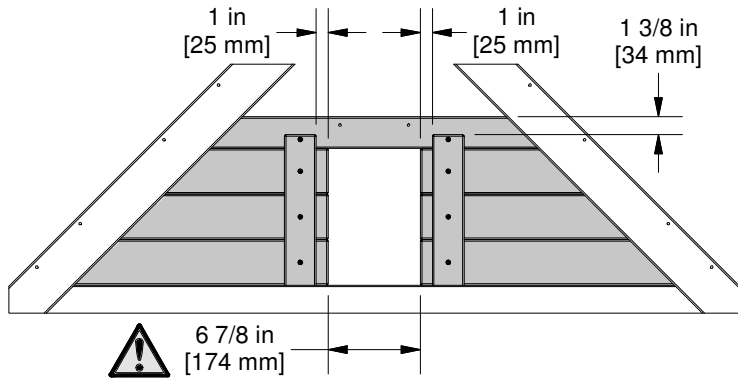
**M29** | GABLE WINDOW BOARD - W4L04643  
 (2) | 5/8"x3 3/8"x16 1/8" (16x86x410)

**M31** | GABLE WINDOW BOARD - W4L04644  
 (2) | 5/8"x3 3/8"x12 3/4" (16x86x324)

**H100088** | SCREW PFH  
 (18) | 8x1 1/8

**N10** | GABLE BOARD - W4L04645  
 (1) | 5/8"x2 3/8"x27 5/8" (16x60x702)

**M28** | GABLE WINDOW BOARD - W4L04647  
 (2) | 5/8"x3 3/8"x19 1/2" (16x86x496)



**088** (x18)  
 SCREW - 1 1/8"

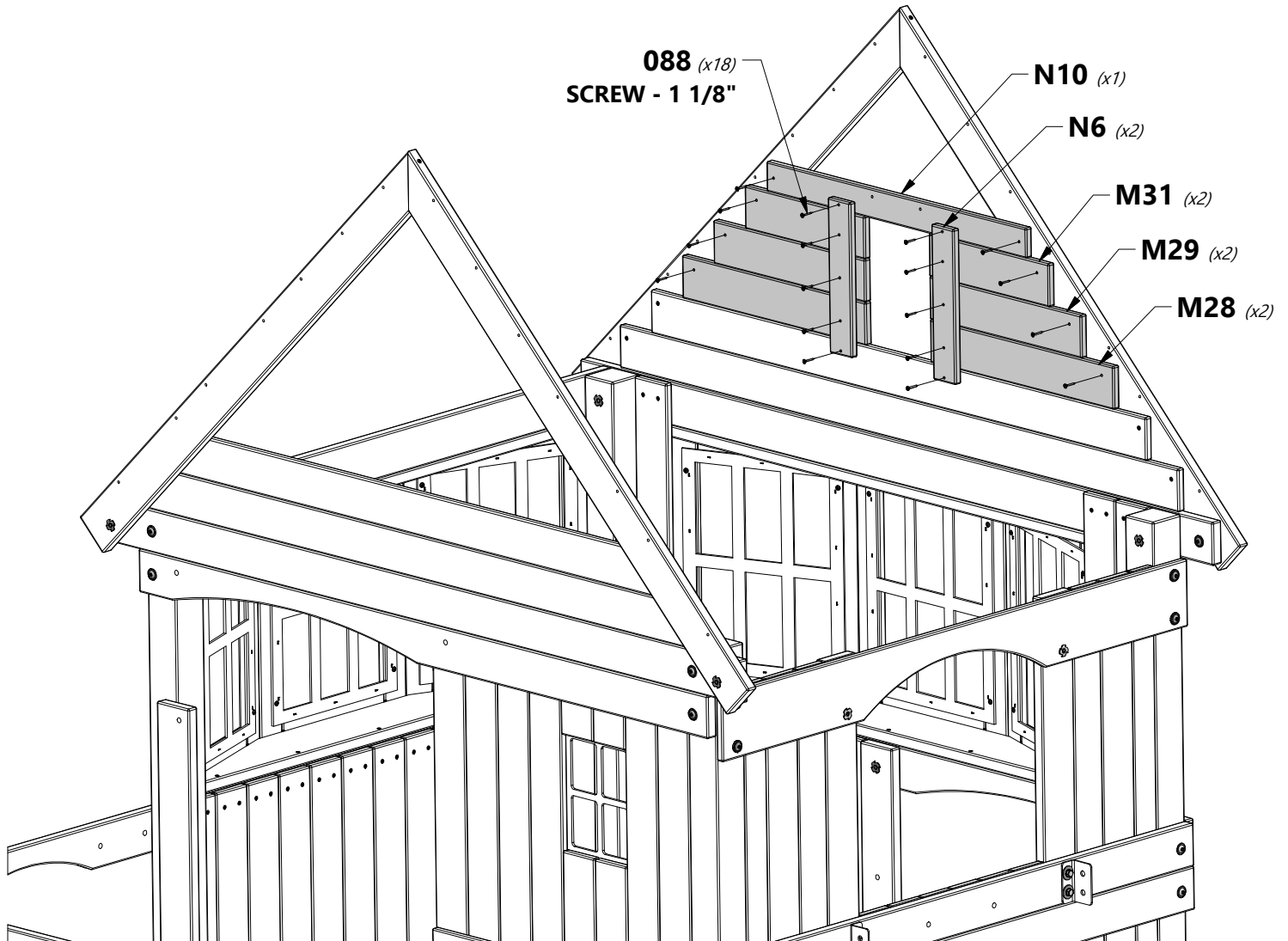
**N10** (x1)

**N6** (x2)

**M31** (x2)

**M29** (x2)

**M28** (x2)






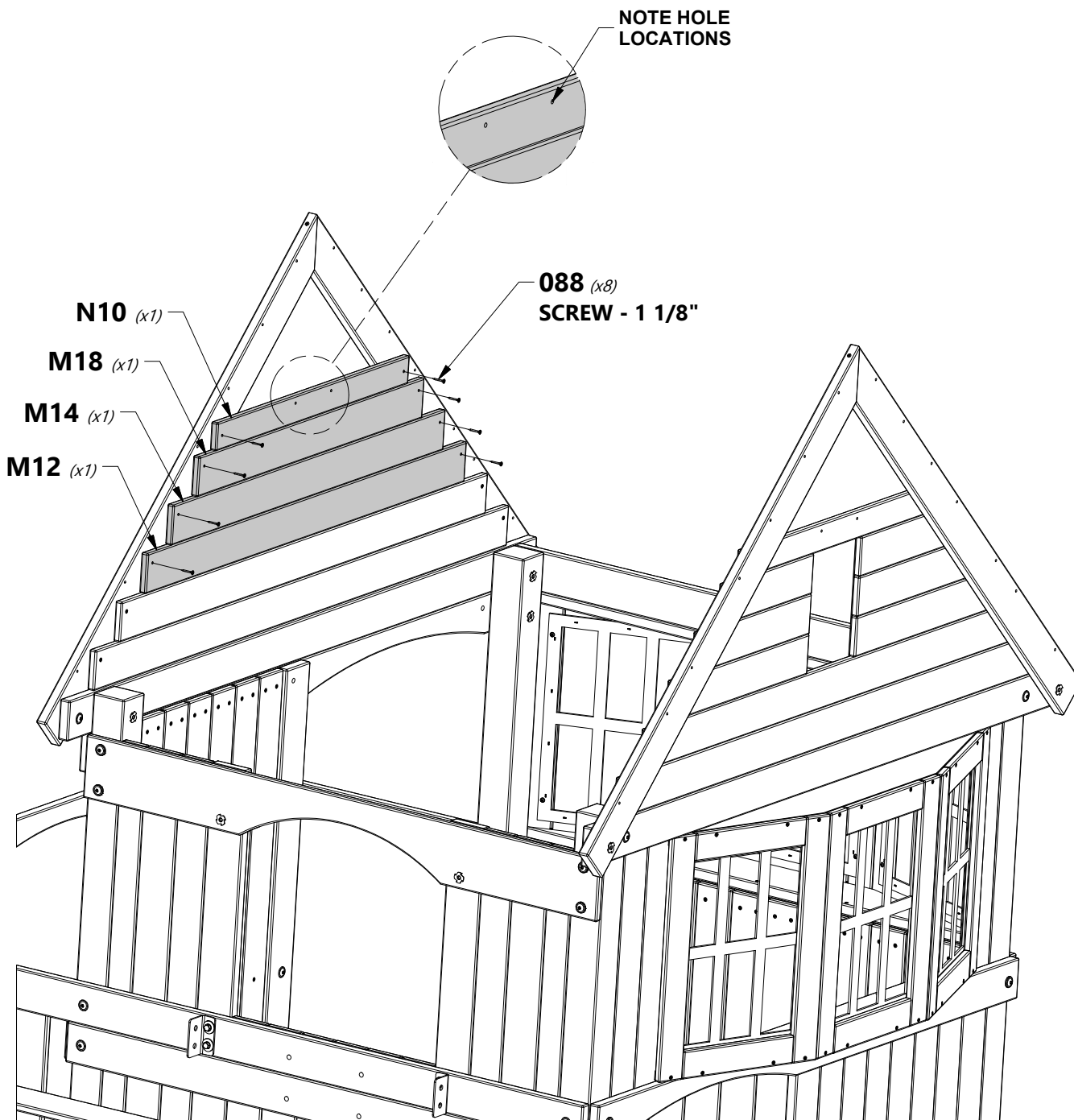
**N10** | GABLE BOARD - W4L04645  
 (1) | 5/8"x2 3/8"x27 5/8" (16x60x702)

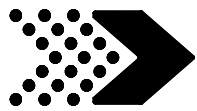
**M14** | GABLE BOARD - W4L04651  
 (1) | 5/8"x3 3/8"x39 1/8" (16x86x994)

**M18** | GABLE BOARD - W4L04652  
 (1) | 5/8"x3 3/8"x32 3/8" (16x86x822)

**M12** | GABLE BOARD - W4L04650  
 (1) | 5/8"x3 3/8"x45 7/8" (16x86x1166)

 **H100088** | SCREW PFH  
 (8) | 8x1 1/8

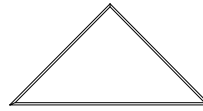




**N7** | GABLE TRIM - W4L04648  
(2) | 5/8"x2 3/8"x11 1/2" (16x60x292)



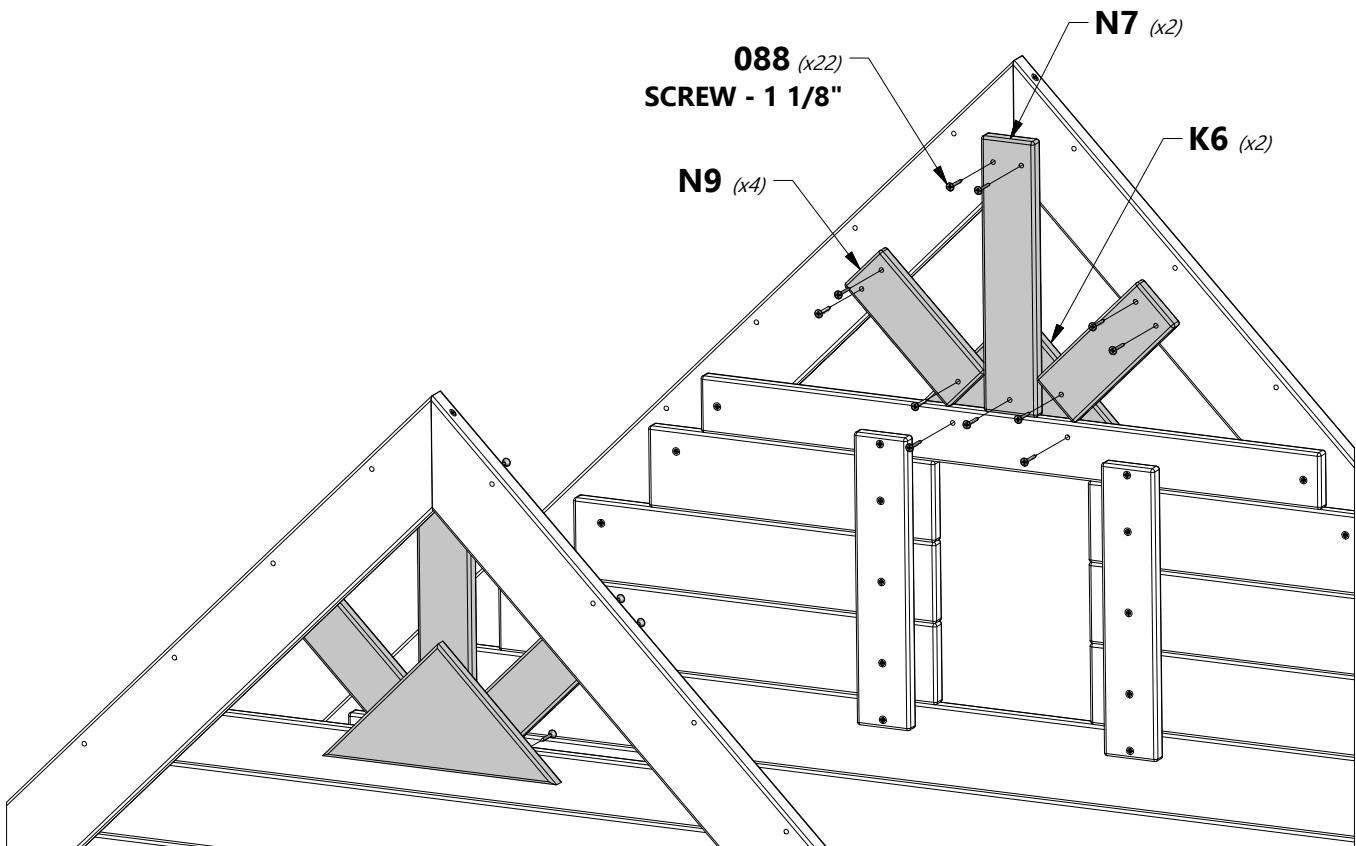
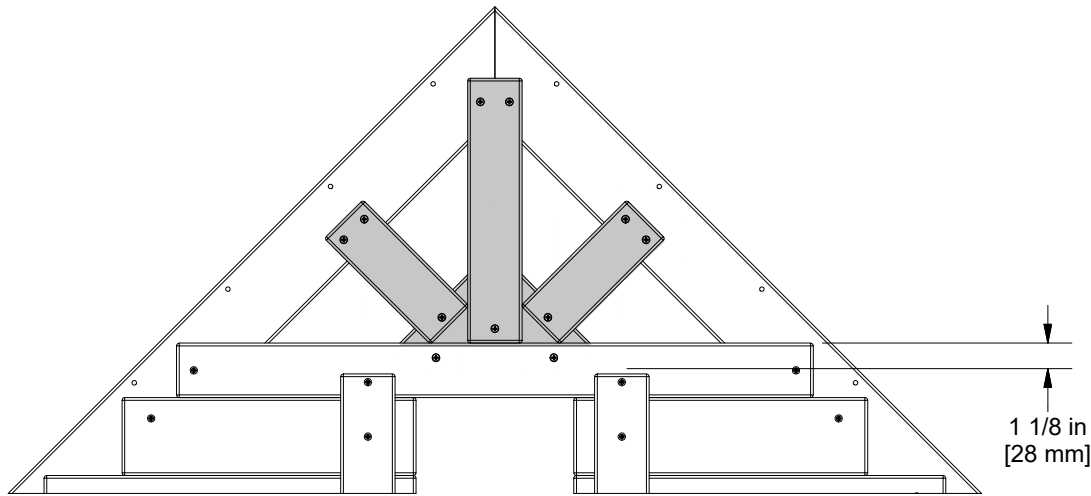
**N9** | GABLE TRIM - W4L04649  
(4) | 5/8"x2 3/8"x6 1/2" (16x60x165)

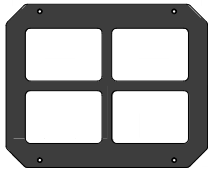
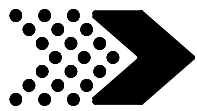


**K6** | TRIANGLE SUNBURST - W4L04827  
(2) | 5/8"x5 1/4"x10 3/8" (16x134x265)



**H100088** | SCREW PFH  
(22) | 8x1 1/8

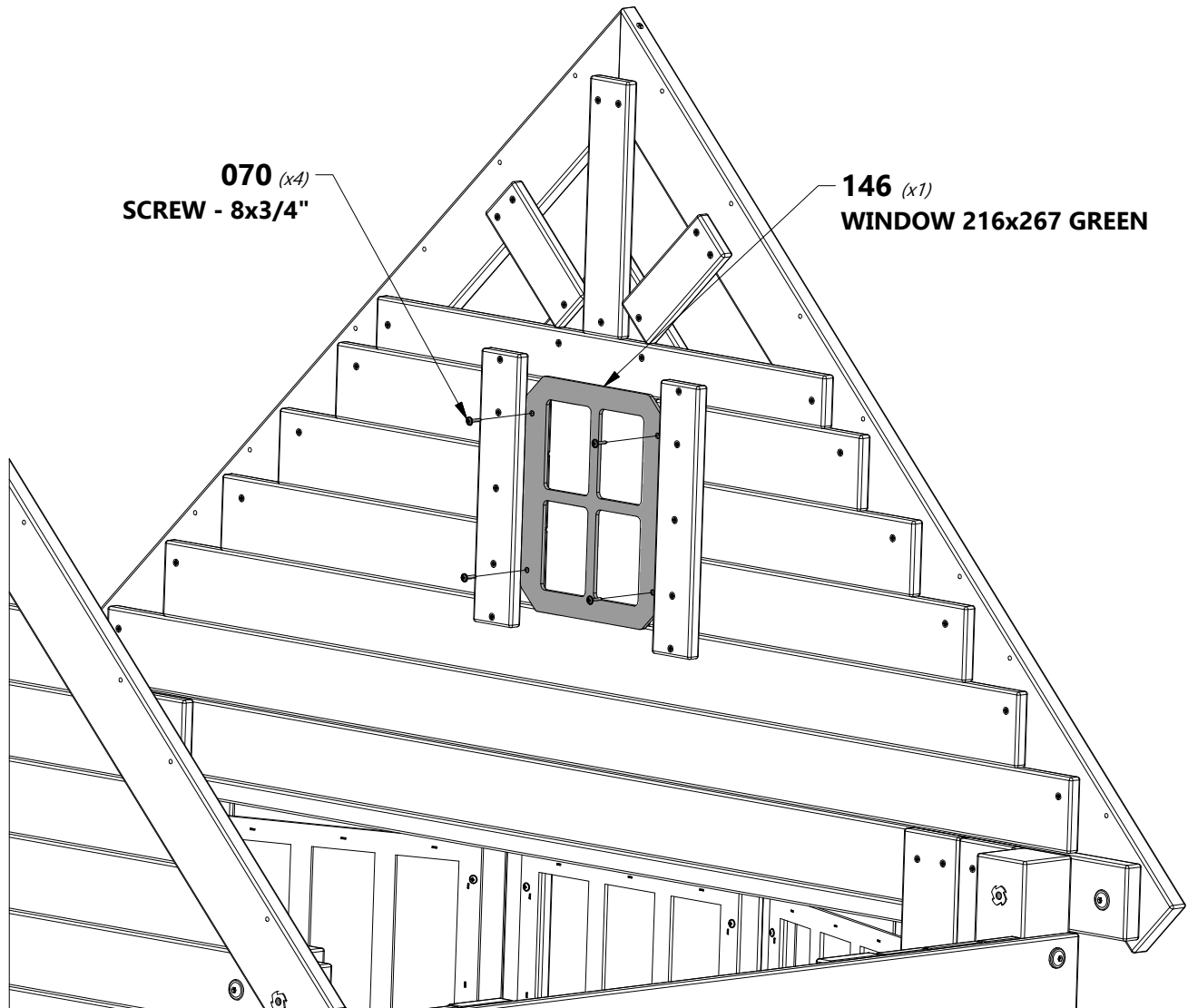


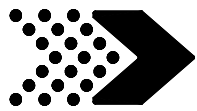


**A100146** | WINDOW  
(1) | 216x267 GREEN

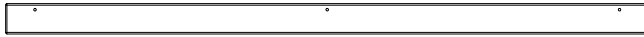


**H100070** | SCREW PWH  
(4) | 8x3/4





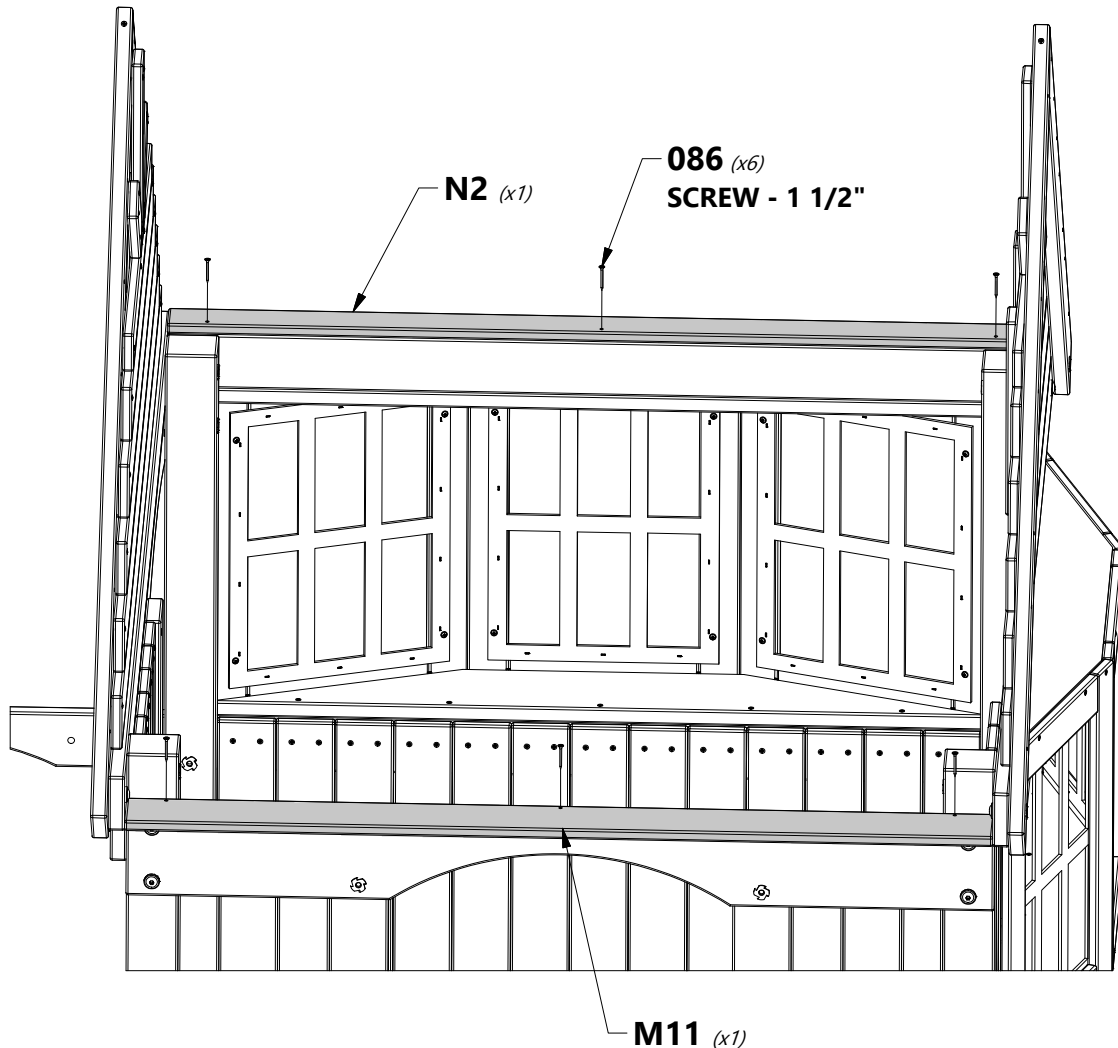
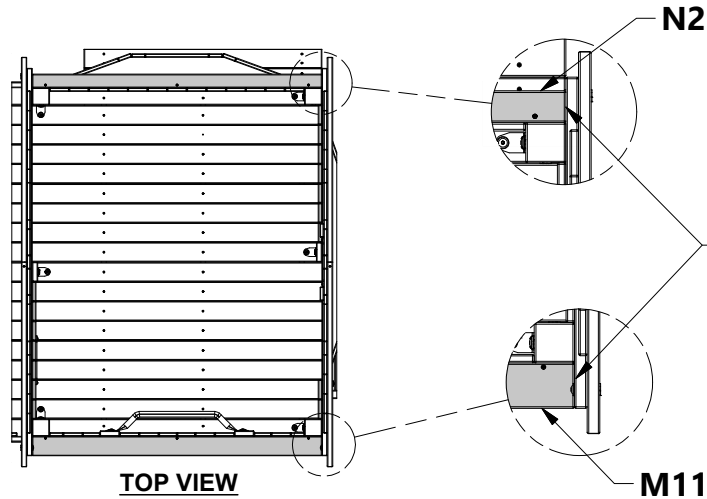
**M11** | SOFFIT CAP - W4L04653  
(1) | 5/8"x3 3/8"x50 1/4" (16x86x1277)

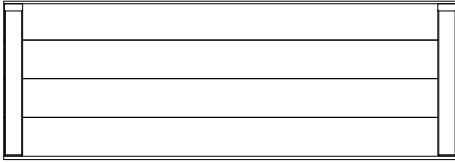
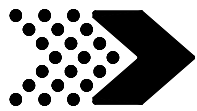


**N2** | SOFFIT CAP - W4L04654  
(1) | 5/8"x2 3/8"x50 1/4" (16x60x1277)

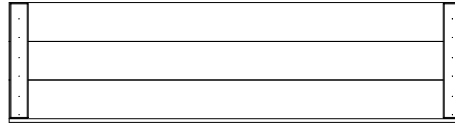


**H100086** | SCREW PFH  
(6) | 8x1 1/2





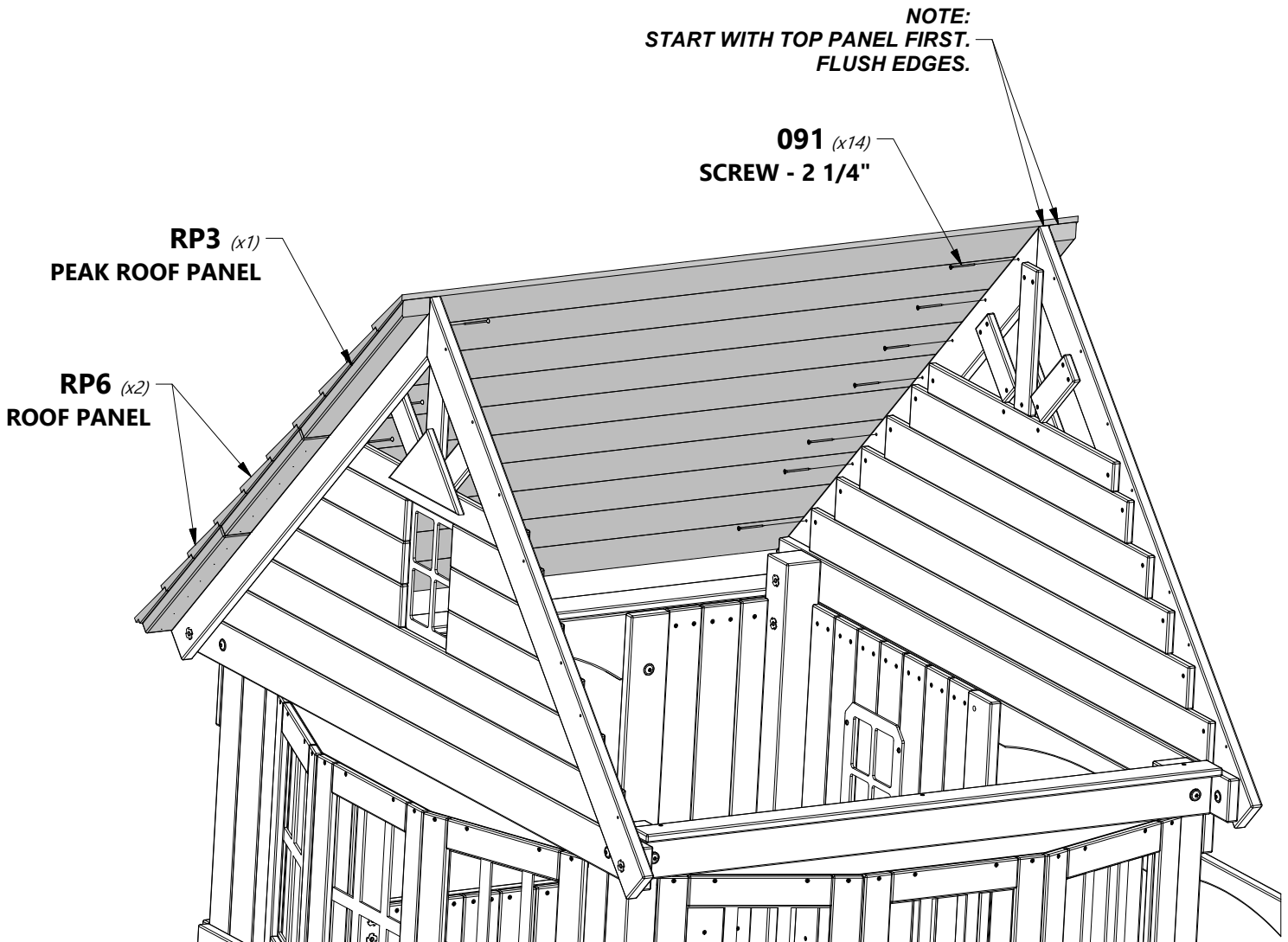
**RP3** | PEAK ROOF PANEL - W2A02626  
(1) | 1 5/8"x20 5/8"x59" (42x524x1499)

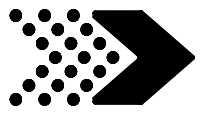


**RP6** | ROOF PANEL - W2A02627  
(2) | 1 5/8"x15 5/8"x59" (42x396x1499)



**H100091** | SCREW PFH  
(14) | 8X2 1/4

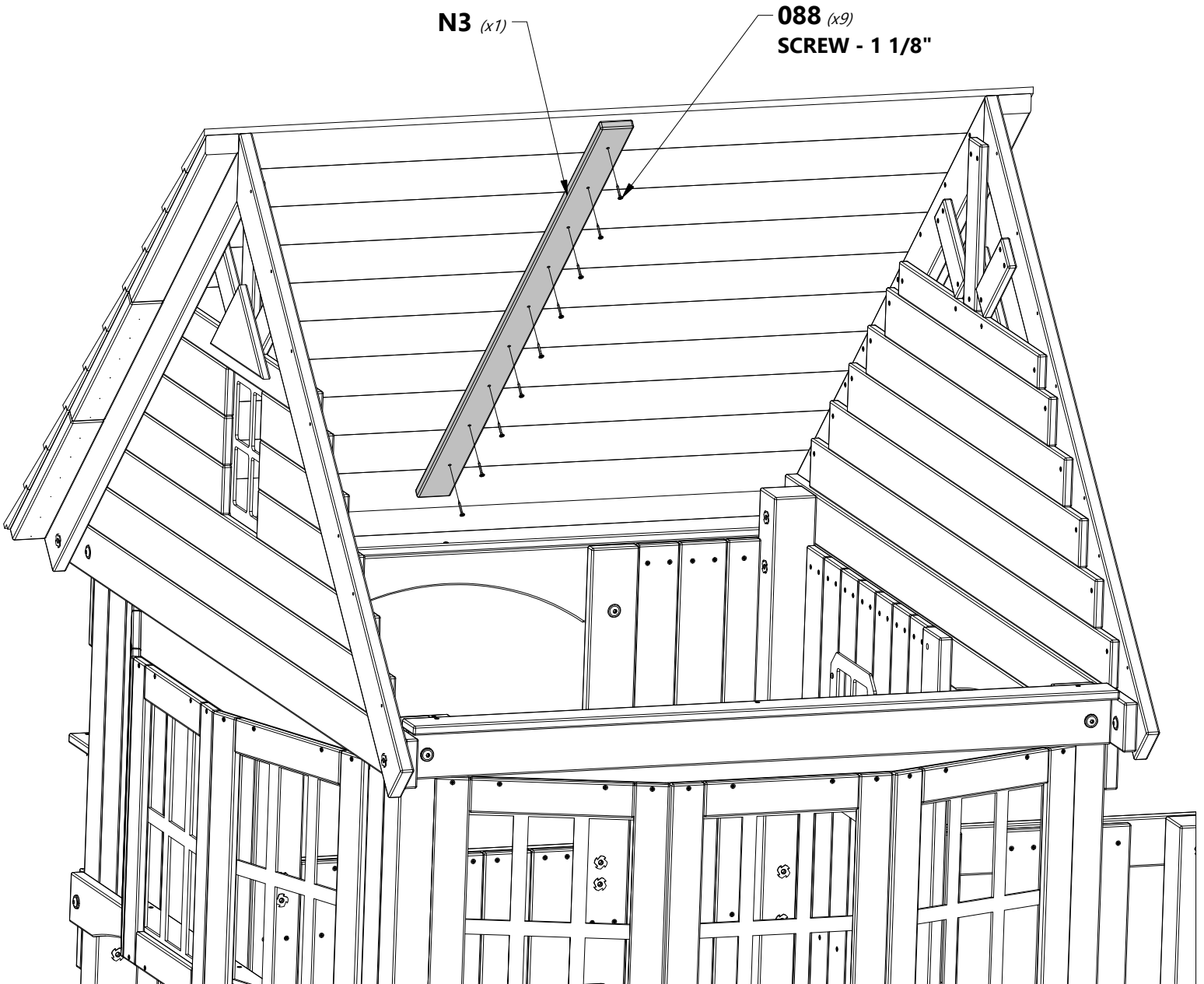
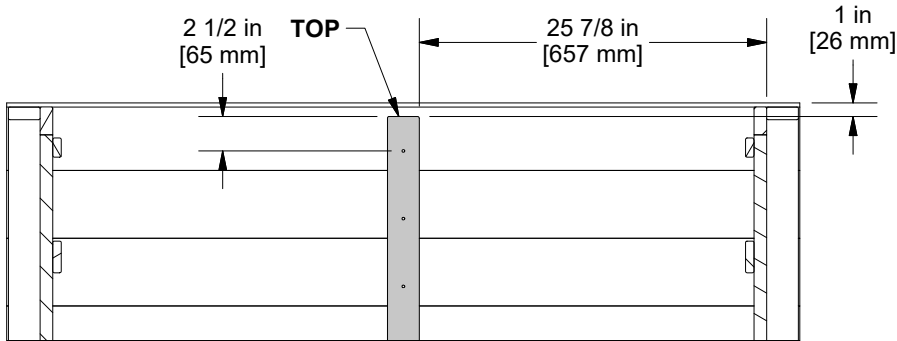


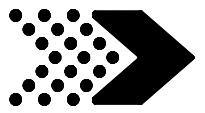


**N3** | ROOF SUPPORT - W103535  
(1) | 5/8"x2 3/8"x47" (16x60x1193)

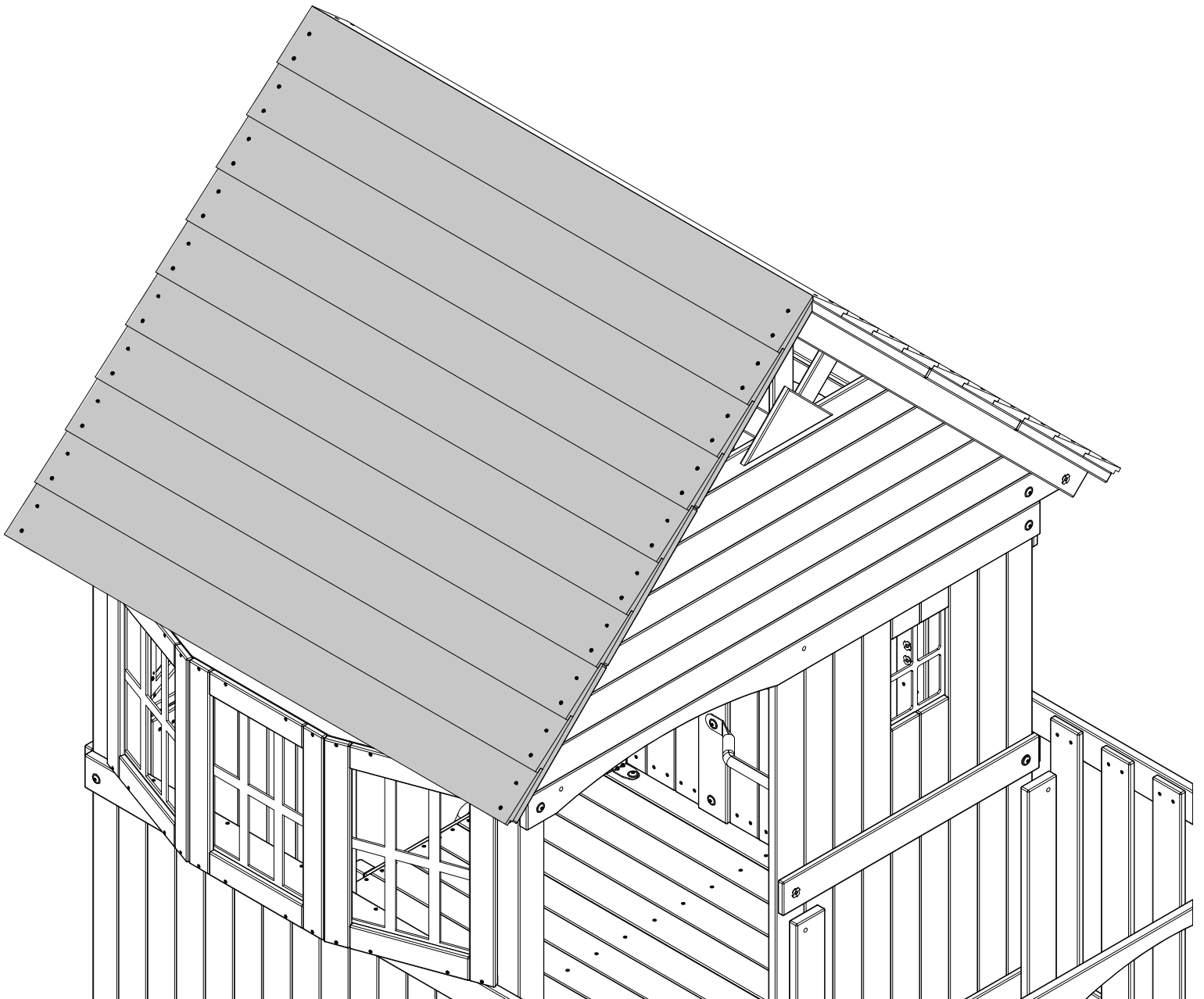


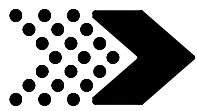
**H100088** | SCREW PFH  
(9) | 8x1 1/8





**REPEAT STEPS 49 & 50 TO ATTACH LEFT  
SIDE ROOF PANELS.**





(1) PORCH ROOF ASSEMBLY



**H100015** | BOLT WH  
(1) | 5/16x2 3/4



**H100014** | BOLT WH  
(2) | 5/16x2 1/2




**H100030** | WASHER LOCK  
(4) | EXT  
8x19

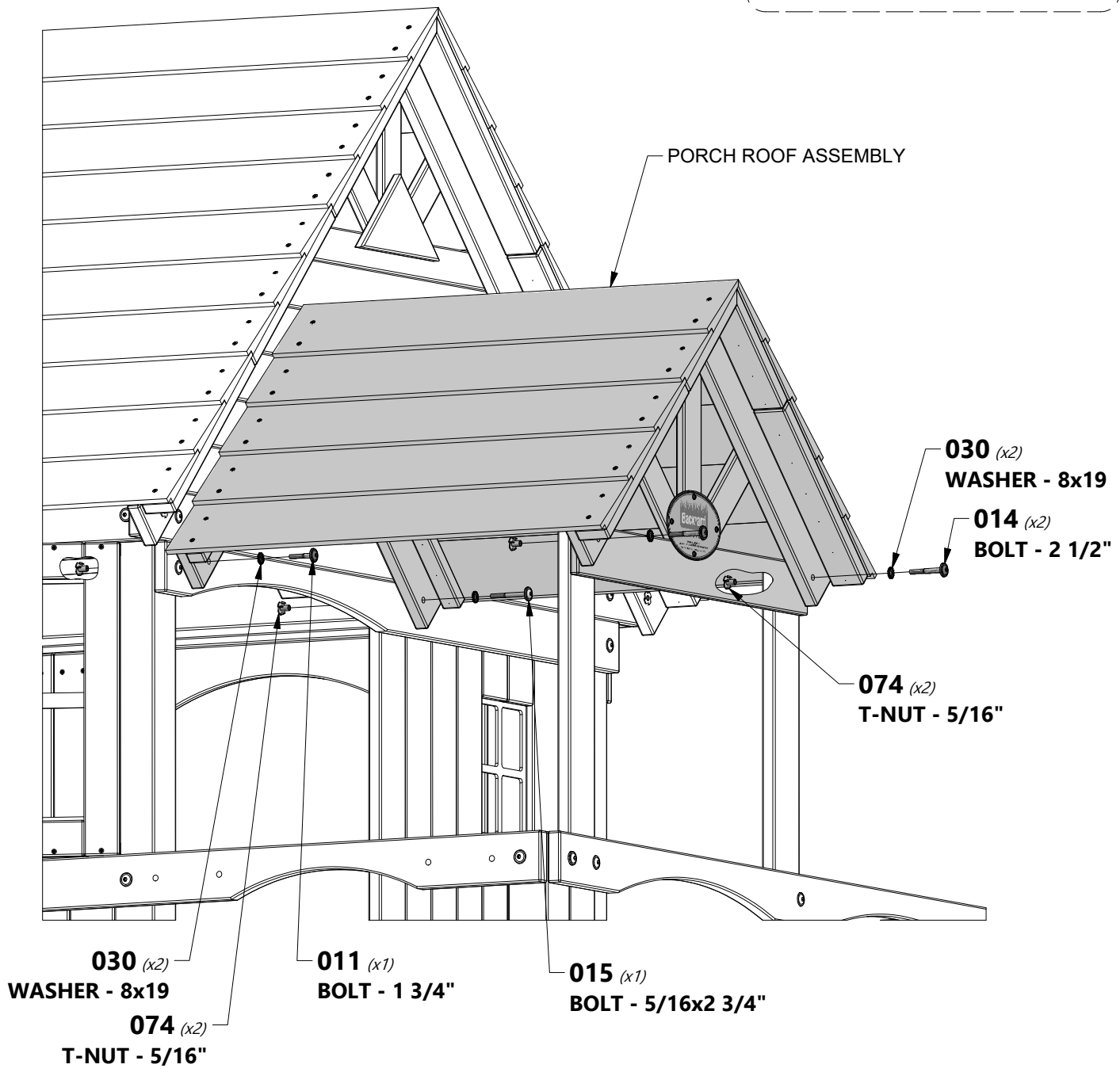


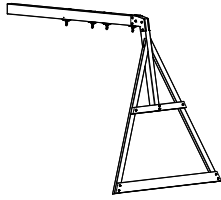
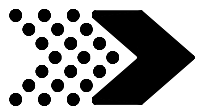
**H100011** | BOLT WH  
(1) | 5/16x1 3/4



**H100074** | T-NUT  
(4) | 5/16

 **TIP:**  
INSTALL T-NUTS INTO  
BOARDS BEFORE ASSEMBLY.





(1) SWING BEAM ASSEMBLY



H100043 | BOLT HEX  
(4) | 5/16x1 3/4



H100095 | WASHER SPLIT  
(4) | 5/16




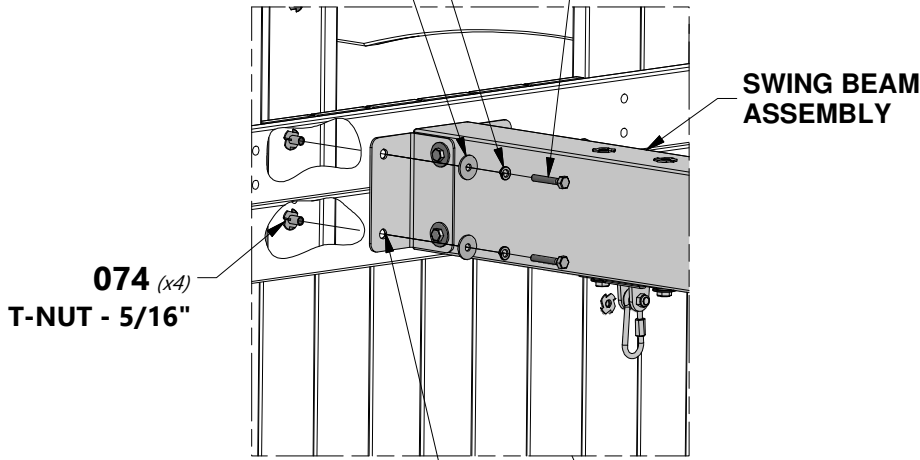
H100074 | T-NUT  
(4) | 5/16



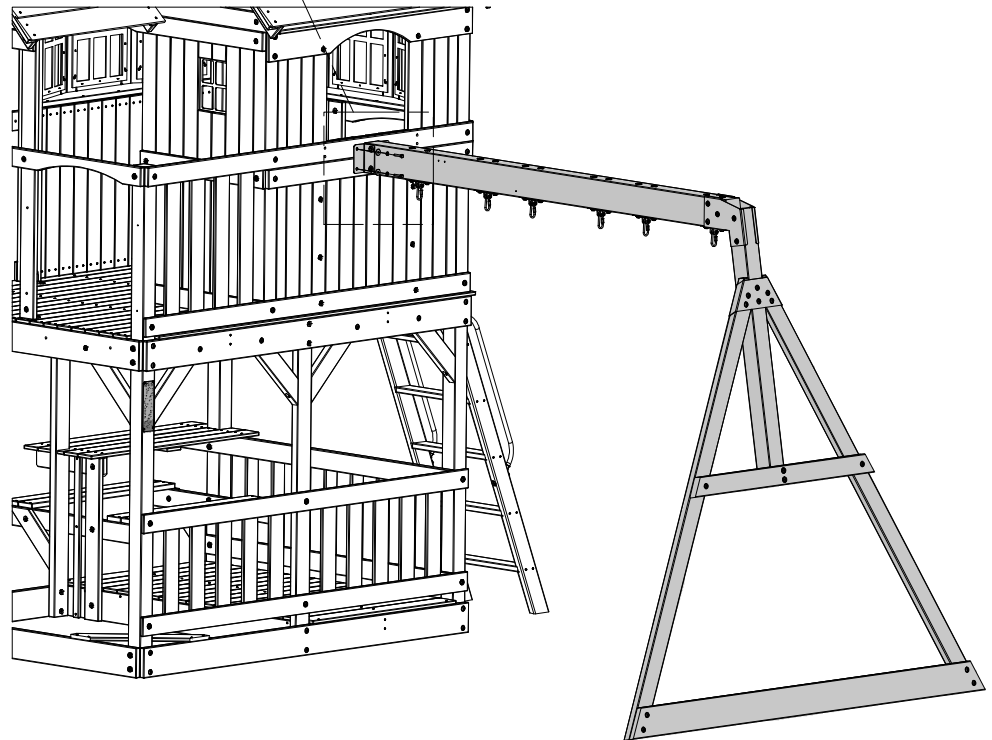
H100105 | WASHER FLAT  
(4) | 8x27

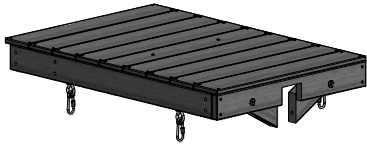
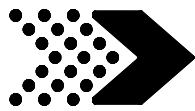
- 095 (x4) WASHER - 5/16"
- 105 (x4) WASHER - 8x27
- 043 (x4) BOLT - 1 3/4"

 **TIP:**  
INSTALL T-NUTS INTO  
BOARDS BEFORE ASSEMBLY.



USING BRACKETS AS GUIDE,  
DRILL 3/8" HOLES

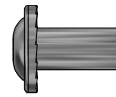




(1) CROW'S NEST DECK ASSEMBLY



H100649 | LAG SCREW WH  
(2) | 1/4x2 1/2



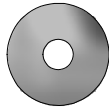
H100005 | NUT BARREL WH  
(4) | 5/16x7/8



H100042 | BOLT HEX  
(4) | 5/16x1 1/4



H100086 | SCREW PFH  
(2) | 8x1 1/2



H100105 | WASHER FLAT  
(4) | 8x27



H100095 | WASHER SPLIT  
(4) | 5/16



H100138 | WASHER LOCK  
(2) | EXT  
6x15



H100031 | WASHER LOCK  
(4) | EXT  
12x19



649 (x2)  
LAG SCREW - 2 1/2"

138 (x2)  
WASHER - 6x15

086 (x2)  
SCREW - 1 1/2"  
(TOP SIDE)

031 (x4)  
WASHER - 12x19

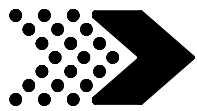
005 (x4)  
NUT BARREL - 7/8"

105 (x4)  
WASHER - 8x27

095 (x4)  
WASHER - 5/16"

042 (x4)  
BOLT HEX - 1 1/4"

CROWS NEST ASSEMBLY



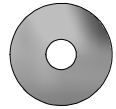
**A100396 | L BRACKET**  
(2) | 51x32x82x3.175



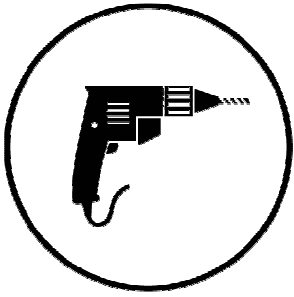
**H100066 | LAG SCREW**  
(8) | 5/16x1 1/2



**H100095 | WASHER SPLIT**  
(8) | 5/16



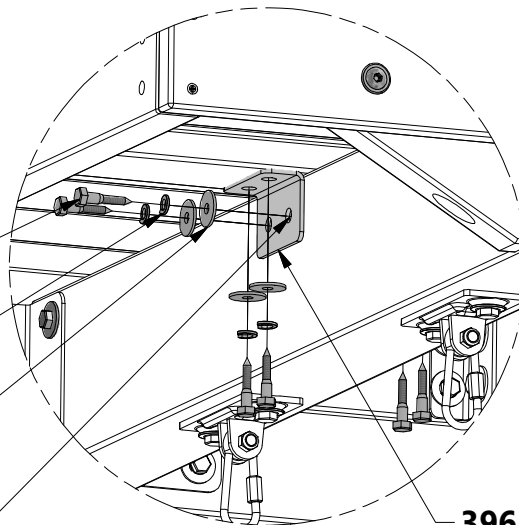
**H100105 | WASHER FLAT**  
(8) | 8x27



**066 (x8)**  
LAG SCREW - 1 1/2"

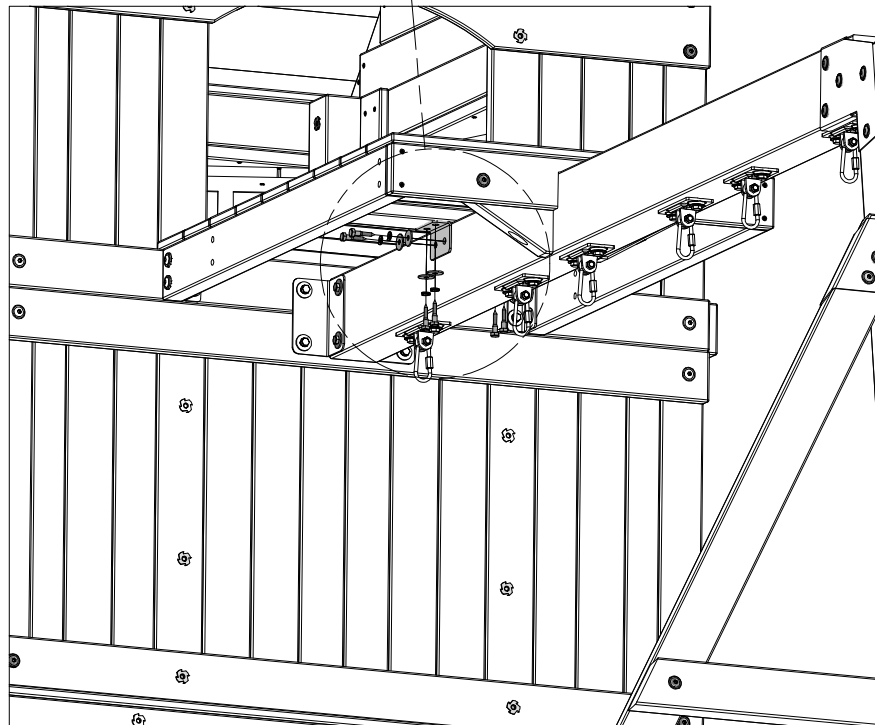
**095 (x8)**  
WASHER - 5/16"

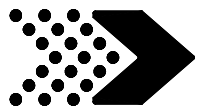
**105 (x8)**  
WASHER - 8x27



**396 (x2)**  
L BRACKET

**⚠ USING BRACKET AS GUIDE, DRILL 3/16 in [5 mm] HOLES.**

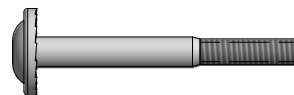




**F03** | CROWS NEST WALL SUPPORT - W4L15909  
(2) | 1 3/8"x2 3/8"x37 1/2" (36x60x952)



**F02** | CROWS NEST WALL SUPPORT - W4L15908  
(2) | 1 3/8"x2 3/8"x37 1/2" (36x60x952)



**H100015** | BOLT WH  
(8) | 5/16x2 3/4



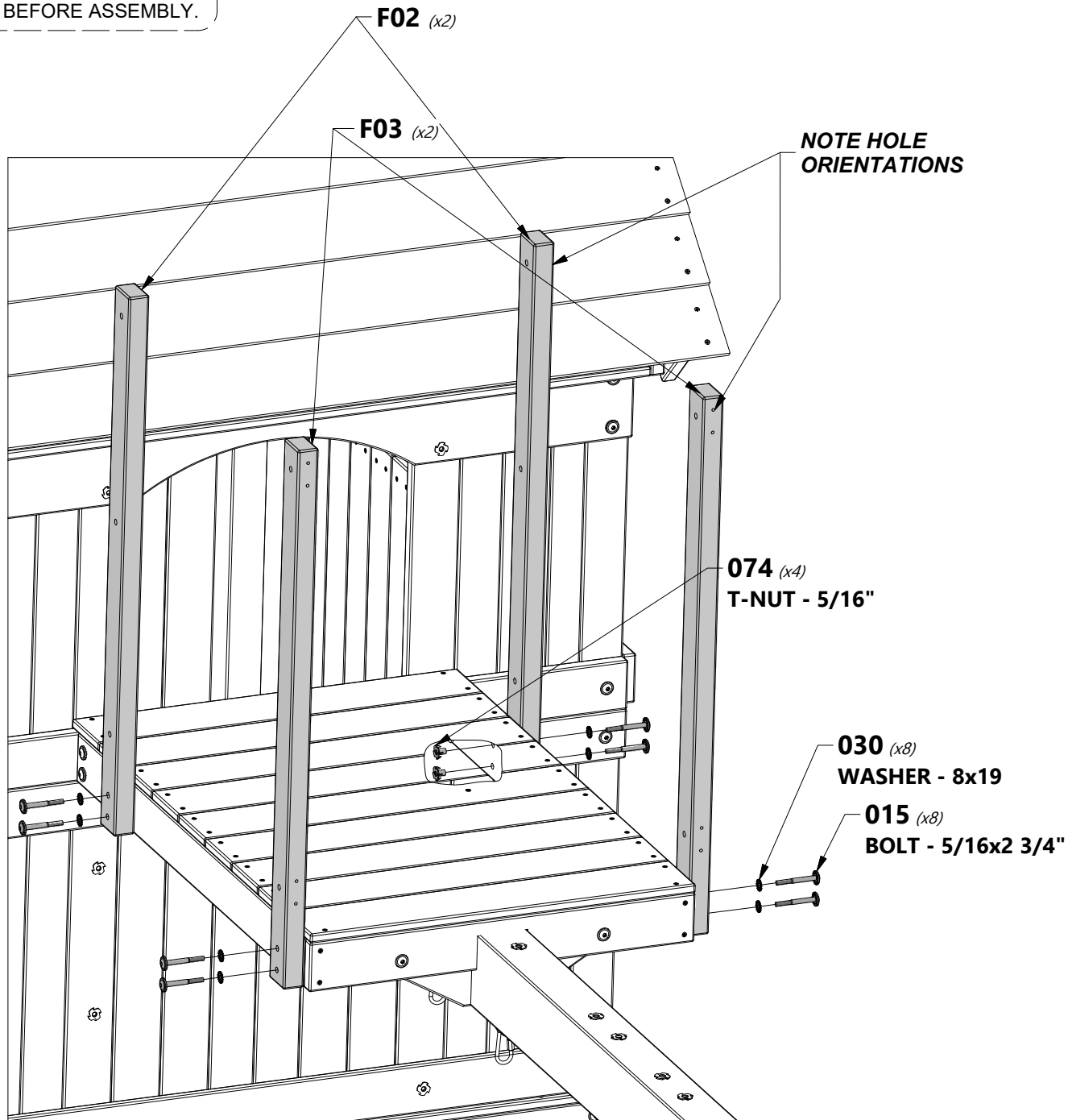
**H100030** | WASHER LOCK  
(8) | EXT  
8x19

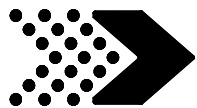


**H100074** | T-NUT  
(4) | 5/16

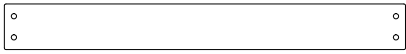


**TIP:**  
INSTALL T-NUTS INTO  
BOARDS BEFORE ASSEMBLY.





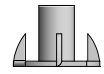
**H31** | CROWS NEST WALL RAIL - W4L15907  
(2) | 1"x3 3/8"x38 7/8" (24x86x988)



**H30** | CROWS NEST WALL RAIL - W4L11782  
(1) | 1"x3 3/8"x29 7/8" (24x86x758)



**H100028** | LAG SCREW WH  
(4) | 5/16x2 1/2



**H100074** | T-NUT  
(4) | 5/16



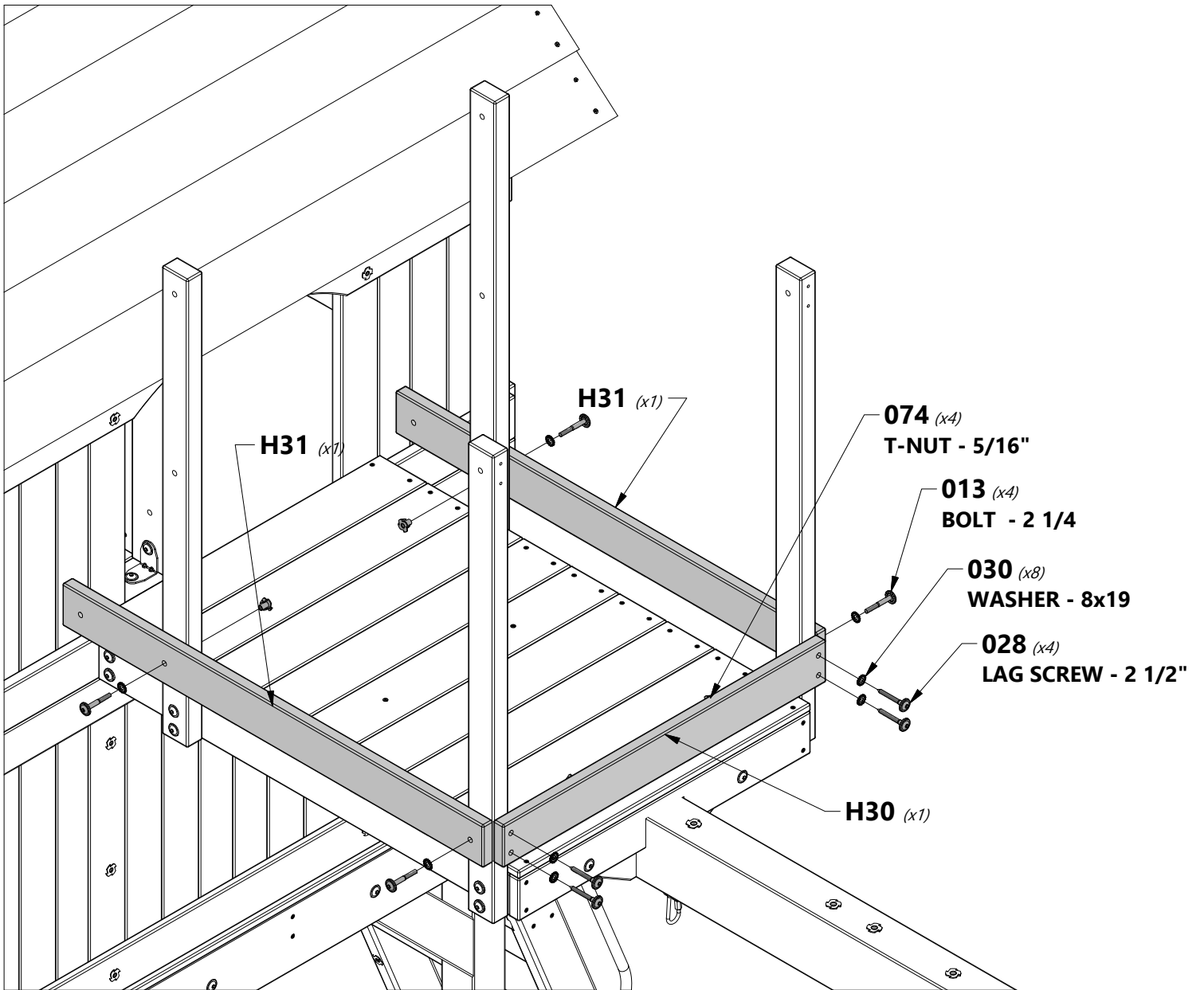
**H100013** | BOLT WH  
(4) | 5/16x2 1/4



**H100030** | WASHER LOCK  
(8) | EXT  
8x19

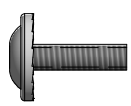


**TIP:**  
INSTALL T-NUTS INTO  
BOARDS BEFORE ASSEMBLY.

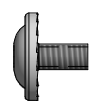




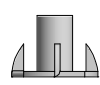
**A4M01046 | L BRACKET**  
(2) | 2.5x38x55x55



**H100008 | BOLT WH**  
(2) | 5/16x1



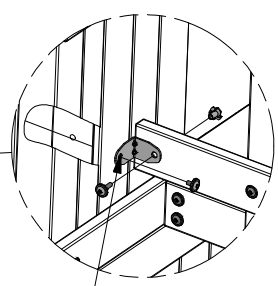
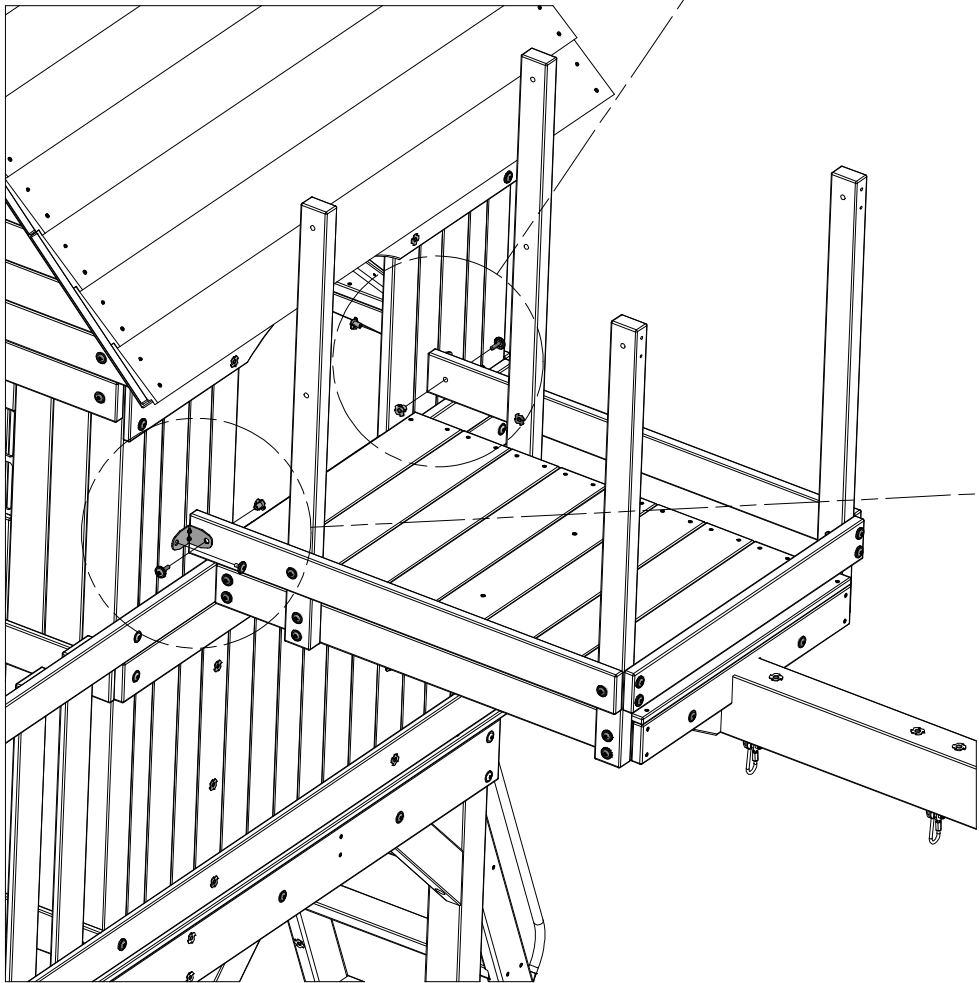
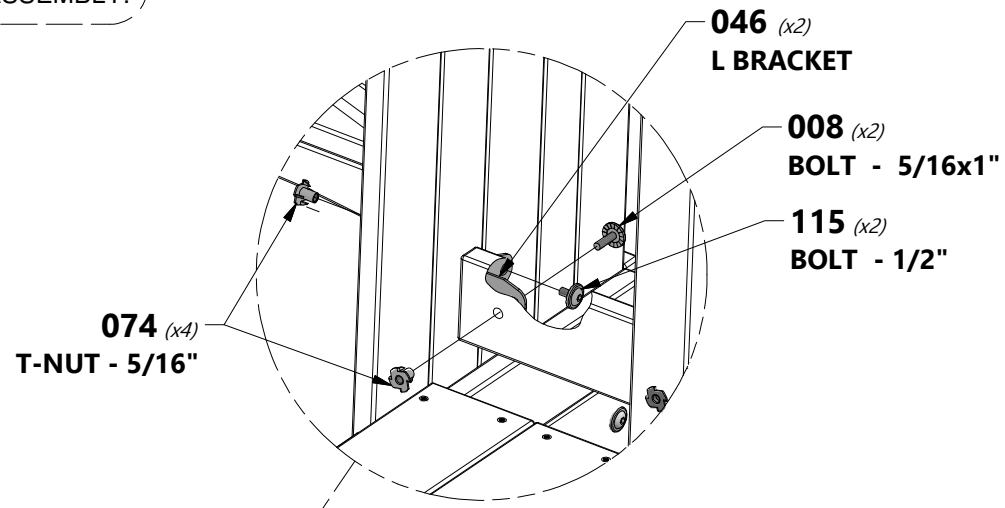
**H100115 | BOLT WH**  
(2) | 5/16x1/2



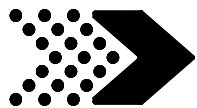
**H100074 | T-NUT**  
(4) | 5/16



**TIP:**  
INSTALL T-NUTS INTO  
BOARDS BEFORE ASSEMBLY.



**USING BRACKETS AS A GUIDE,  
DRILL 3/8 in [10 mm] HOLES  
THROUGH WALL BOARD.**



**M4** | CROWS NEST WALL RAIL - W4L11773  
(2) | 5/8"x3 3/8"x29 7/8" (16x86x758)

**H30** | CROWS NEST WALL RAIL - W4L11782  
(1) | 1"x3 3/8"x29 7/8" (24x86x758)

**H29** | CROWS NEST WALL RAIL - W4L15910  
(2) | 1"x3 3/8"x30 5/8" (24x86x778)



**H100013** | BOLT WH  
(4) | 5/16x2 1/4



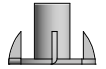
**H100028** | LAG SCREW WH  
(4) | 5/16x2 1/2



**H100027** | LAG SCREW WH  
(8) | 5/16x2



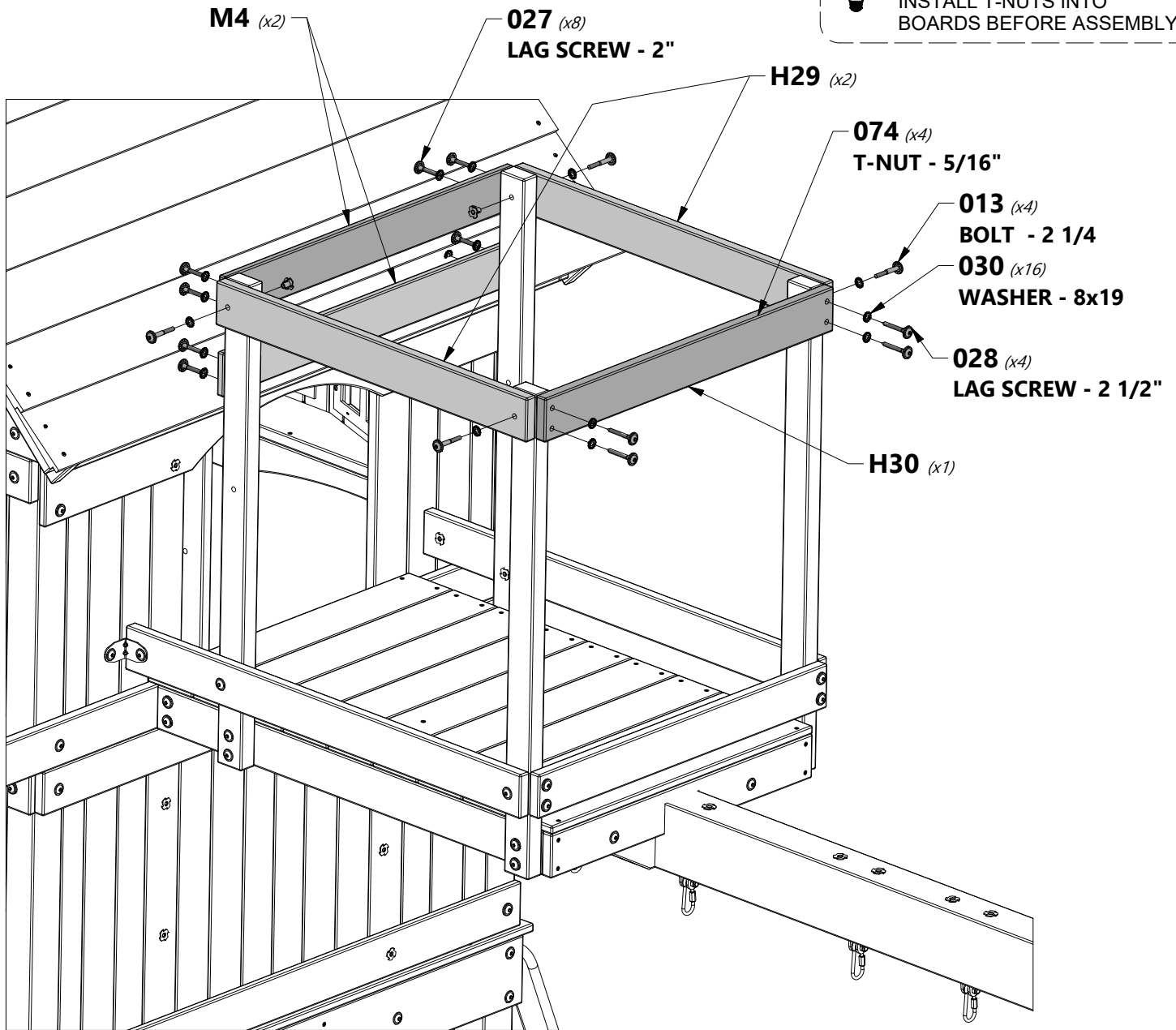
**H100030** | WASHER LOCK  
(16) | EXT  
8x19

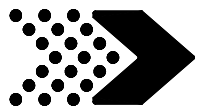


**H100074** | T-NUT  
(4) | 5/16



**TIP:**  
INSTALL T-NUTS INTO  
BOARDS BEFORE ASSEMBLY.





# FORT ASSEMBLY

# STEP 60

1 1/8 in [30 mm]      1 3/4 in [43 mm]



**M32** | CROWS NEST WALL RAIL - W4L04671  
(2) | 5/8"x3 3/8"x10" (16x86x254)



**A4M01046** | L BRACKET  
(2) | 2.5x38x55x55



**H100012** | BOLT WH  
(2) | 5/16x2



**H100009** | BOLT WH  
(2) | 5/16x1 1/4



**H100115** | BOLT WH  
(2) | 5/16x1/2



**H100074** | T-NUT  
(6) | 5/16



**H100030** | WASHER LOCK  
(2) | EXT  
8x19



**TIP:**  
INSTALL T-NUTS INTO  
BOARDS BEFORE ASSEMBLY.



**USING BRACKETS  
AS A GUIDE, DRILL  
3/8in [10mm] HOLES  
THROUGH WALL.**

**046 (x2)**  
L BRACKET

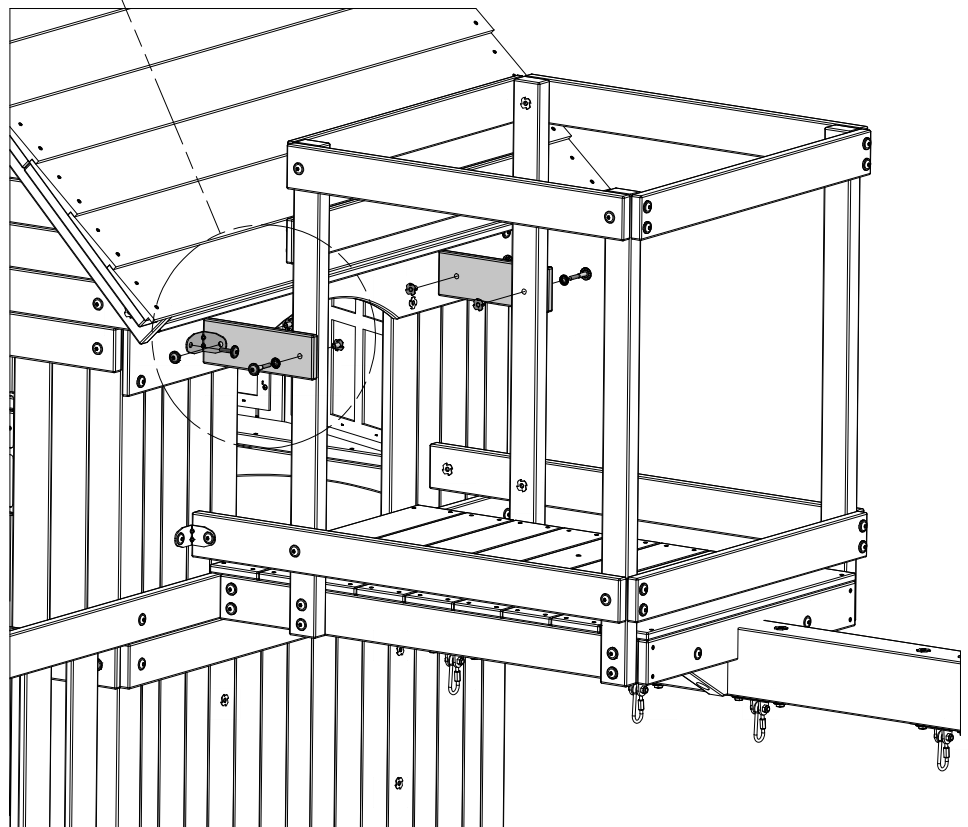
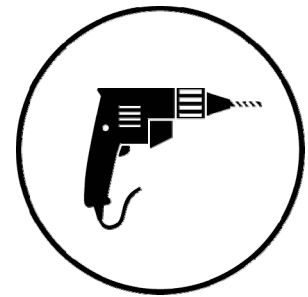
**009 (x2)**  
BOLT - 1 1/4"

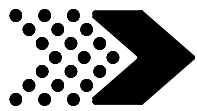
**M32 (x2)**

**074 (x6)**  
T-NUT - 5/16"

**030 (x2)**  
WASHER - 8x19

**012 (x2)**  
BOLT - 2"

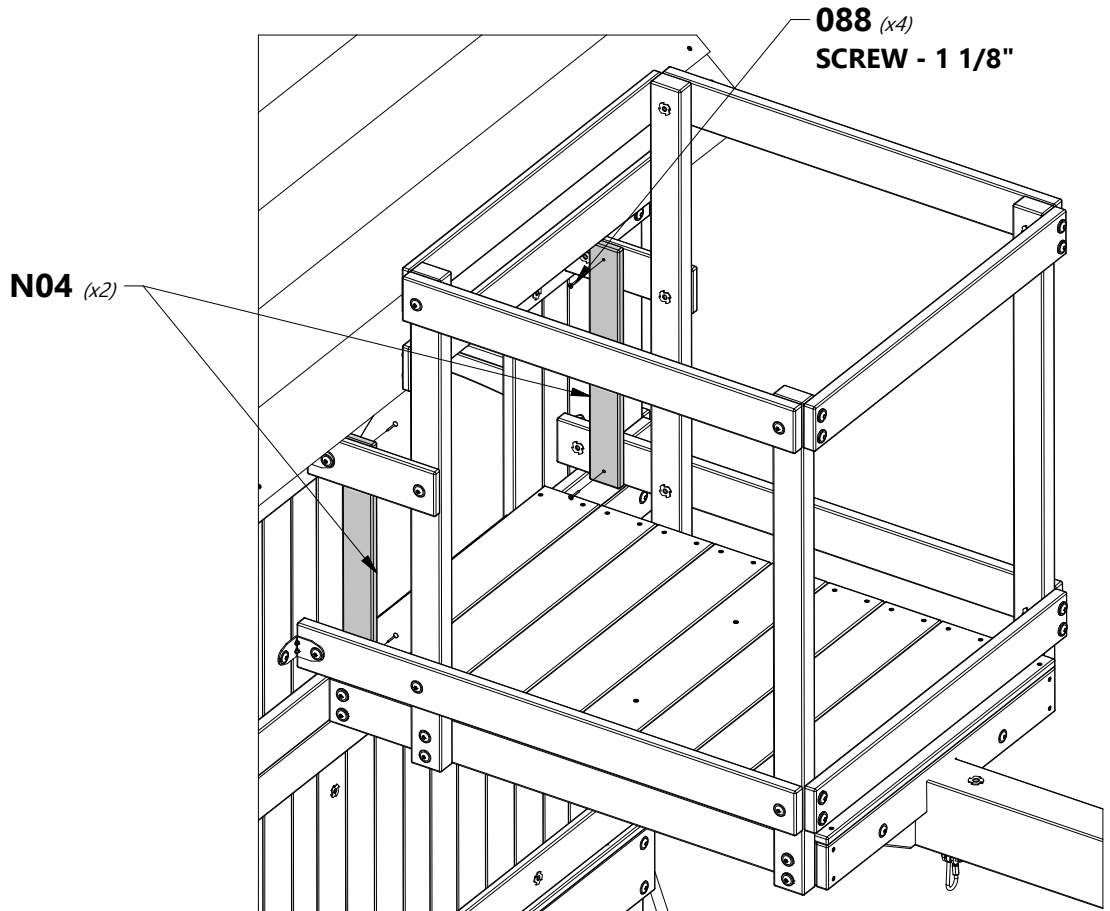
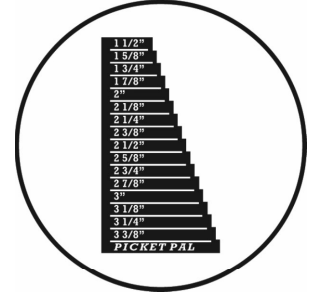
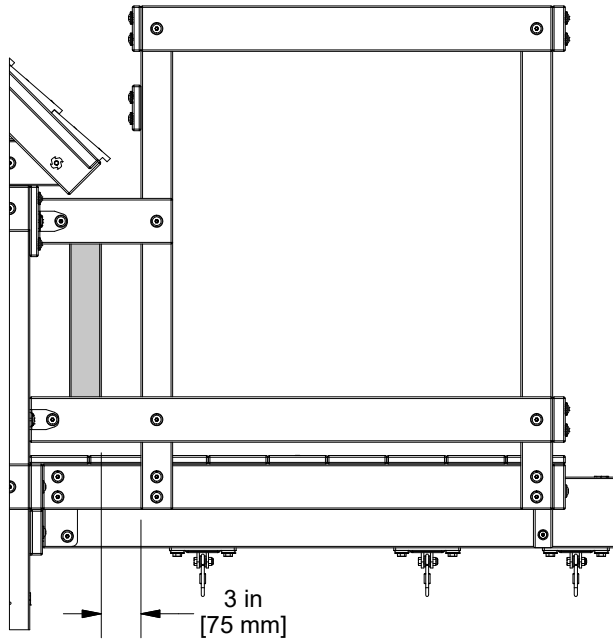


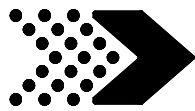


**N04** | CROWS NEST WALL BOARD - W4L15912  
(2) | 5/8"x2 3/8"x18 1/8" (16x60x461)



**H100088** | SCREW PFH  
(4) | 8x1 1/8

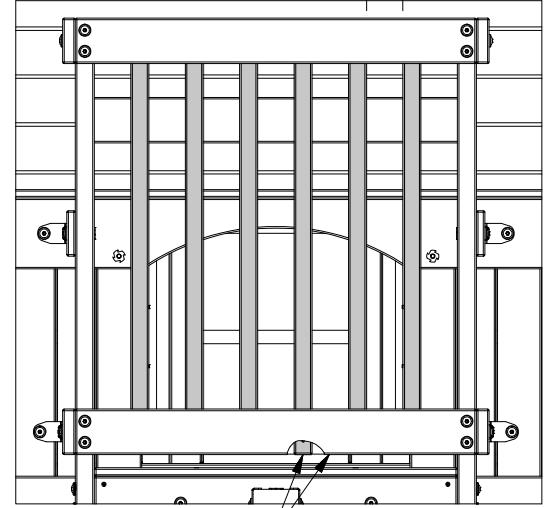




**O1** | CROWS NEST WALL BOARD - W4L15911  
 (6) | 5/8"x1 3/8"x32 1/4" (16x34x819)

**H100088** | SCREW PFH  
 (12) | 8x1 1/8"

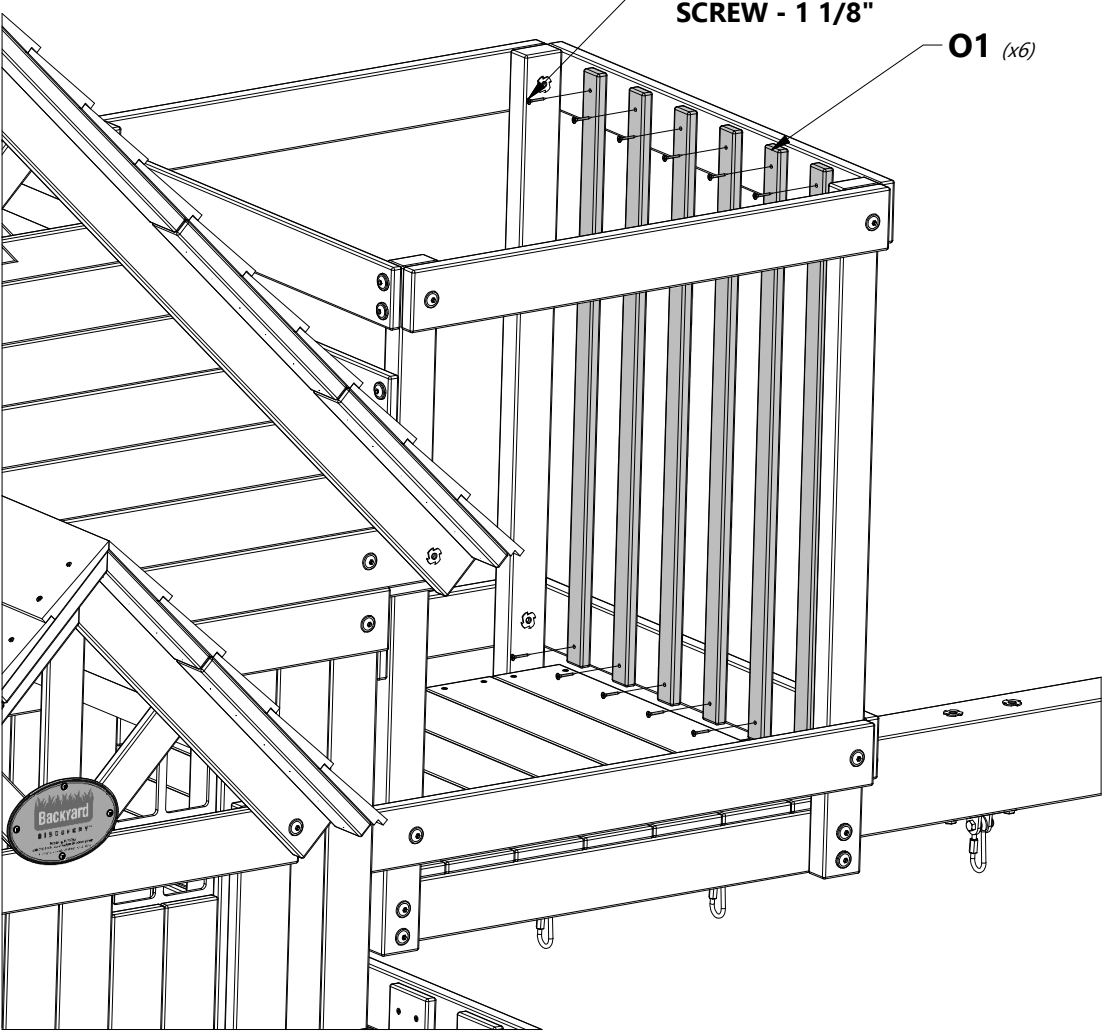
2 3/4 in  
 [69 mm]  
 EQUAL SPACING

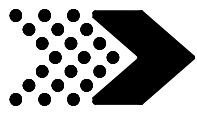


FLUSH BOTTOMS

**088** (x12)  
 SCREW - 1 1/8"

**O1** (x6)



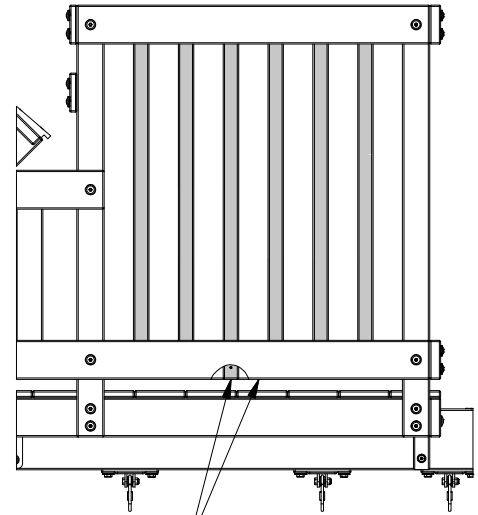


**O1** | CROWS NEST WALL BOARD - W4L15911  
(12) | 5/8"x1 3/8"x32 1/4" (16x34x819)



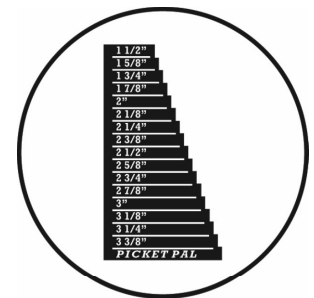
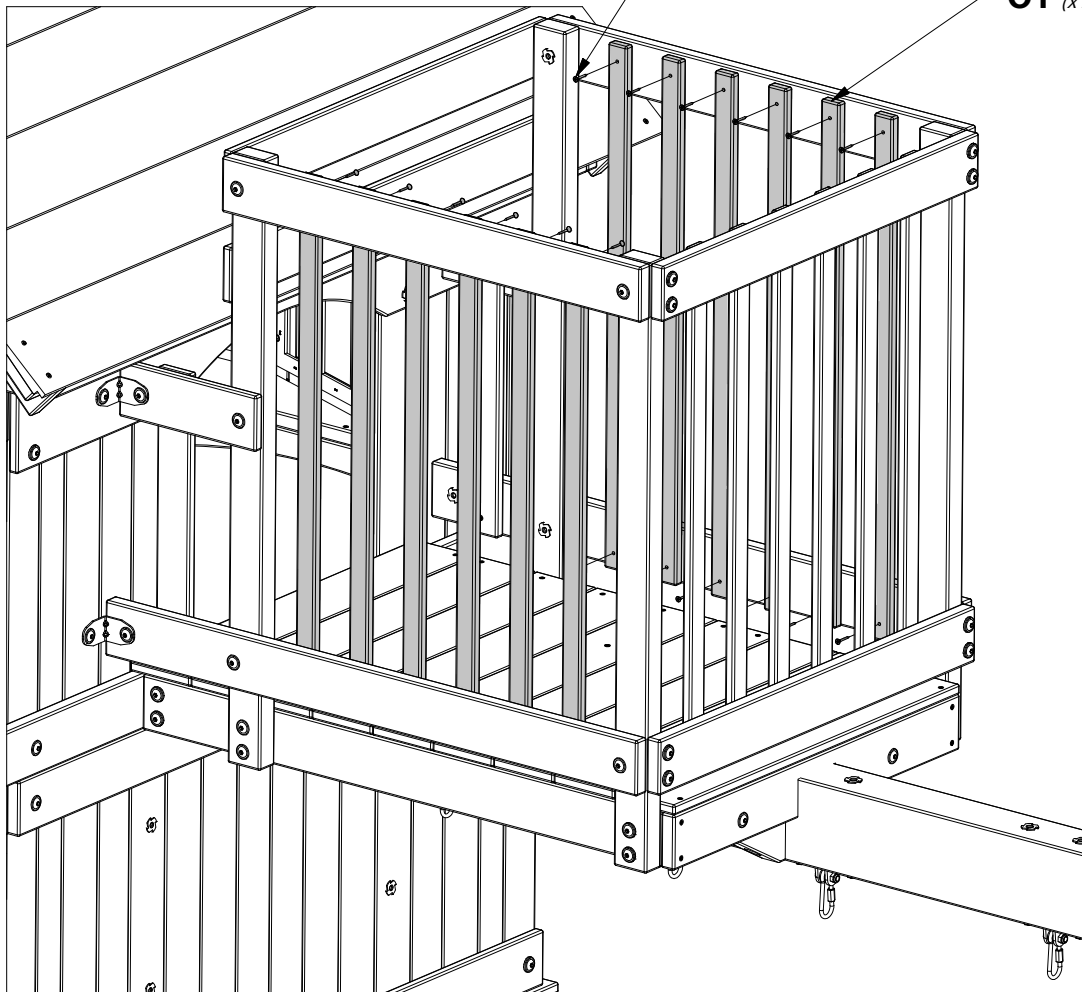
**H100088** | SCREW PFH  
(24) | 8x1 1/8"

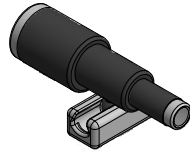
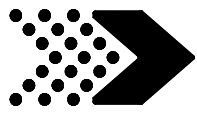
2 1/2 in  
[65 mm]  
EQUAL  
SPACING



**088** (x24)  
SCREW - 1 1/8"

**O1** (x12)

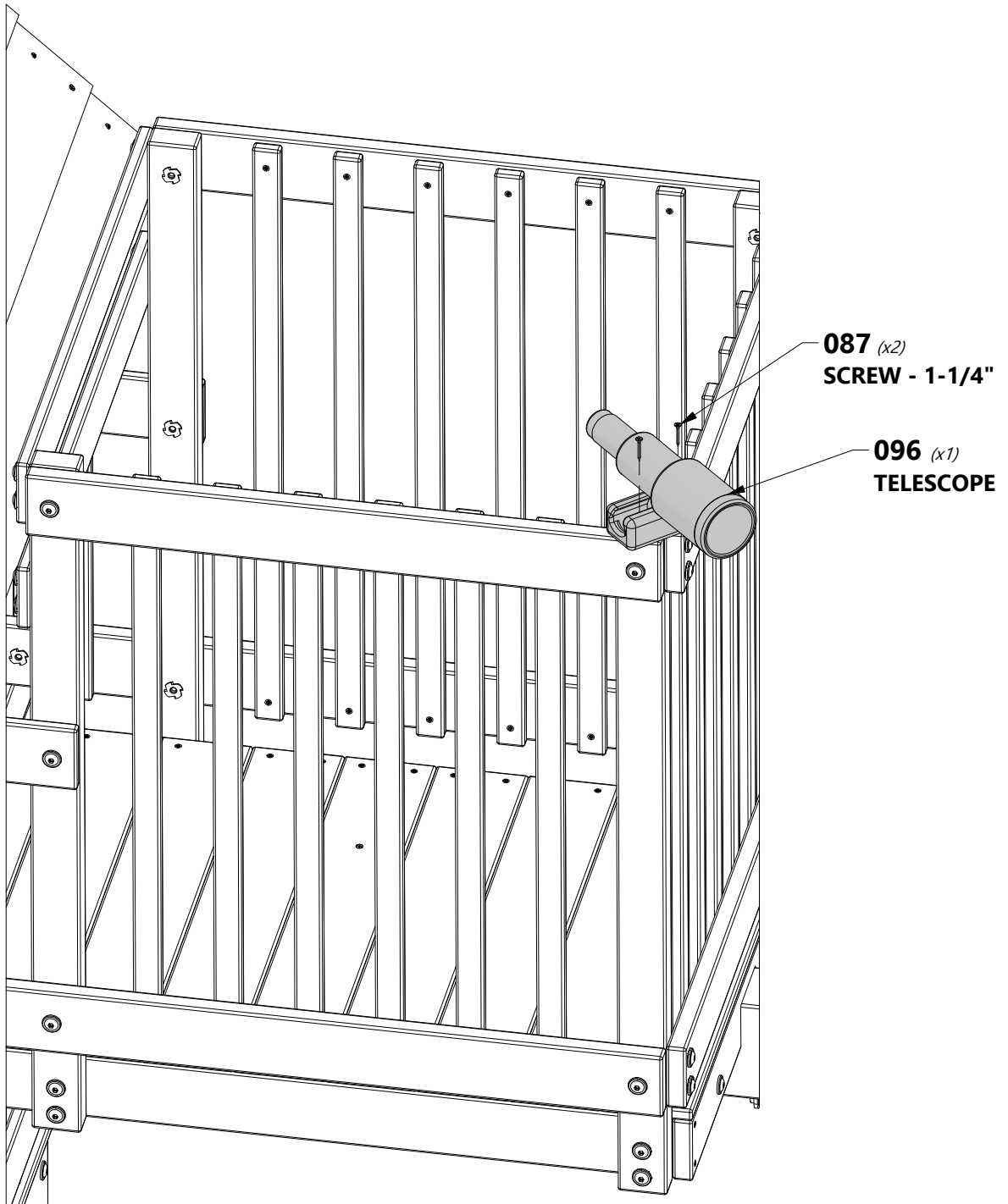




**A6P00096** | TELESCOPE  
(1)



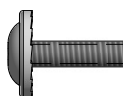
**H100087** | SCREW PFH  
(2) | 8x1-1/4"

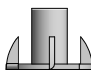




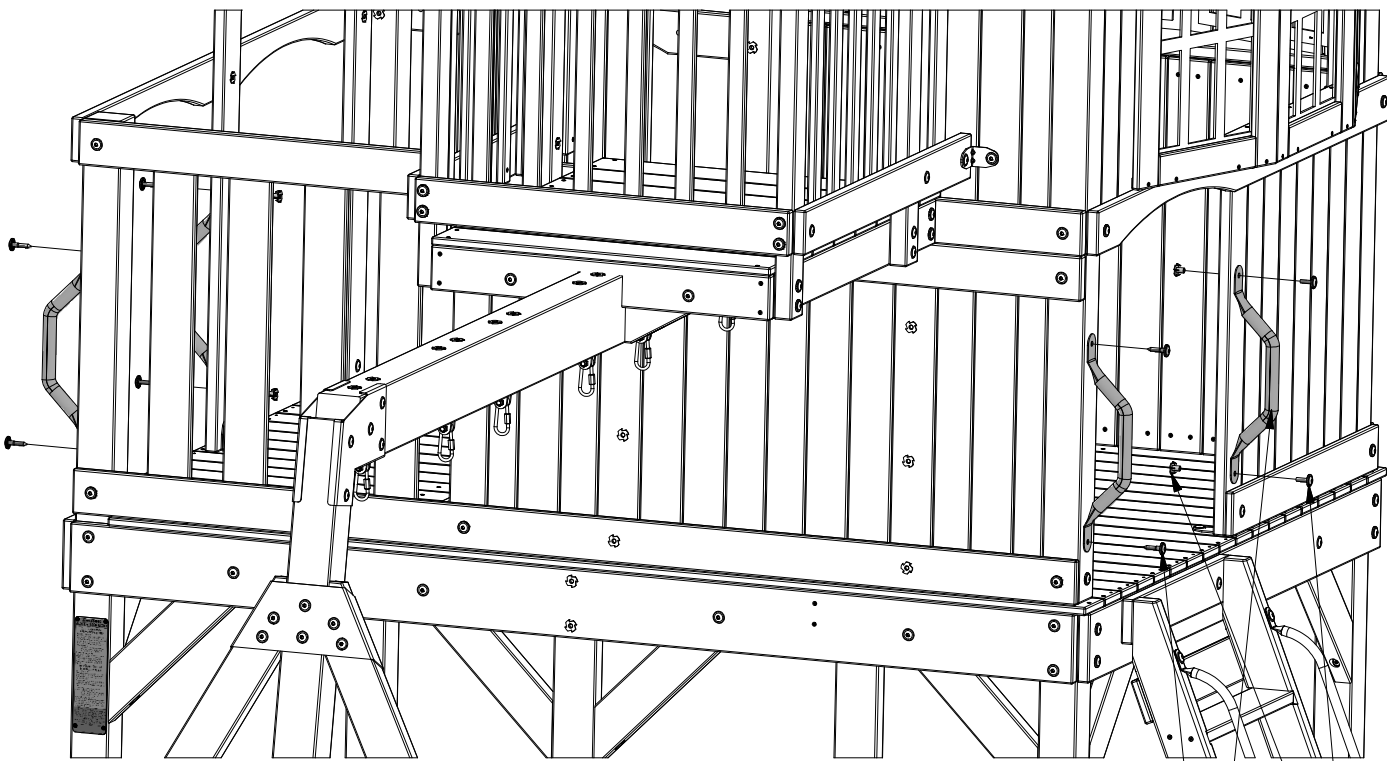
  
**A100118** | **HAND GRIP**  
 (4) | **METAL GREEN**  
 381 c/c

  
**H100026** | **LAG SCREW WH**  
 (4) | **5/16x1 1/2**

  
**H100008** | **BOLT WH**  
 (4) | **5/16x1**

  
**H100074** | **T-NUT**  
 (4) | **5/16**

 **TIP:**  
 INSTALL T-NUTS INTO  
 BOARDS BEFORE ASSEMBLY.



**026** (x4)  
**LAG SCREW - 1 1/2"**

**008** (x4)  
**BOLT - 5/16x1"**

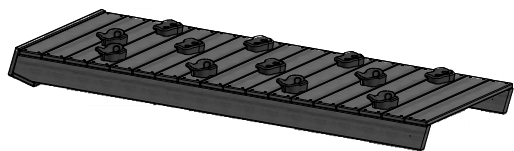
**118** (x4)  
**HAND GRIP METAL GREEN 381 c/c**

**074** (x4)  
**T-NUT - 5/16"**

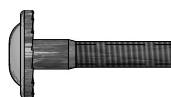


# FINAL ASSEMBLY

# STEP 1



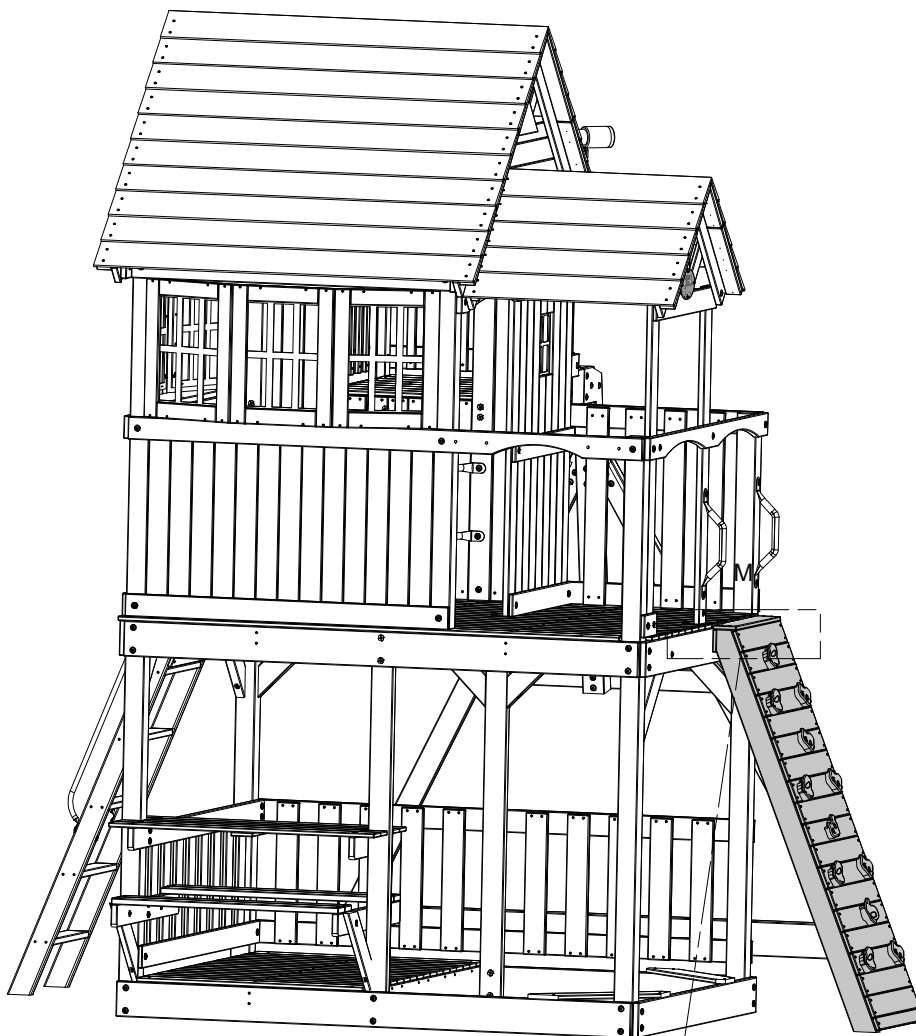
(1) ROCK WALL ASSEMBLY



H100010 | BOLT WH  
(2) | 5/16x1-1/2



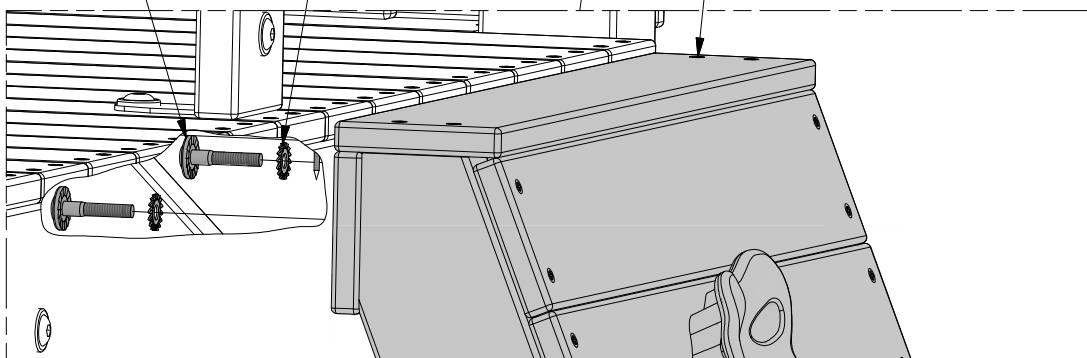
H100030 | WASHER LOCK  
(2) | EXT  
8x19

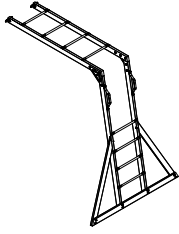
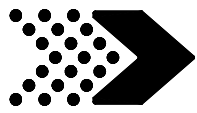


010 (x2)  
BOLT - 1 1/2"

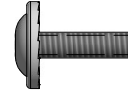
030 (x2)  
WASHER - 8x19

ROCK WALL ASSEMBLY

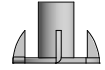




(1) MONKEY BAR ASSEMBLY



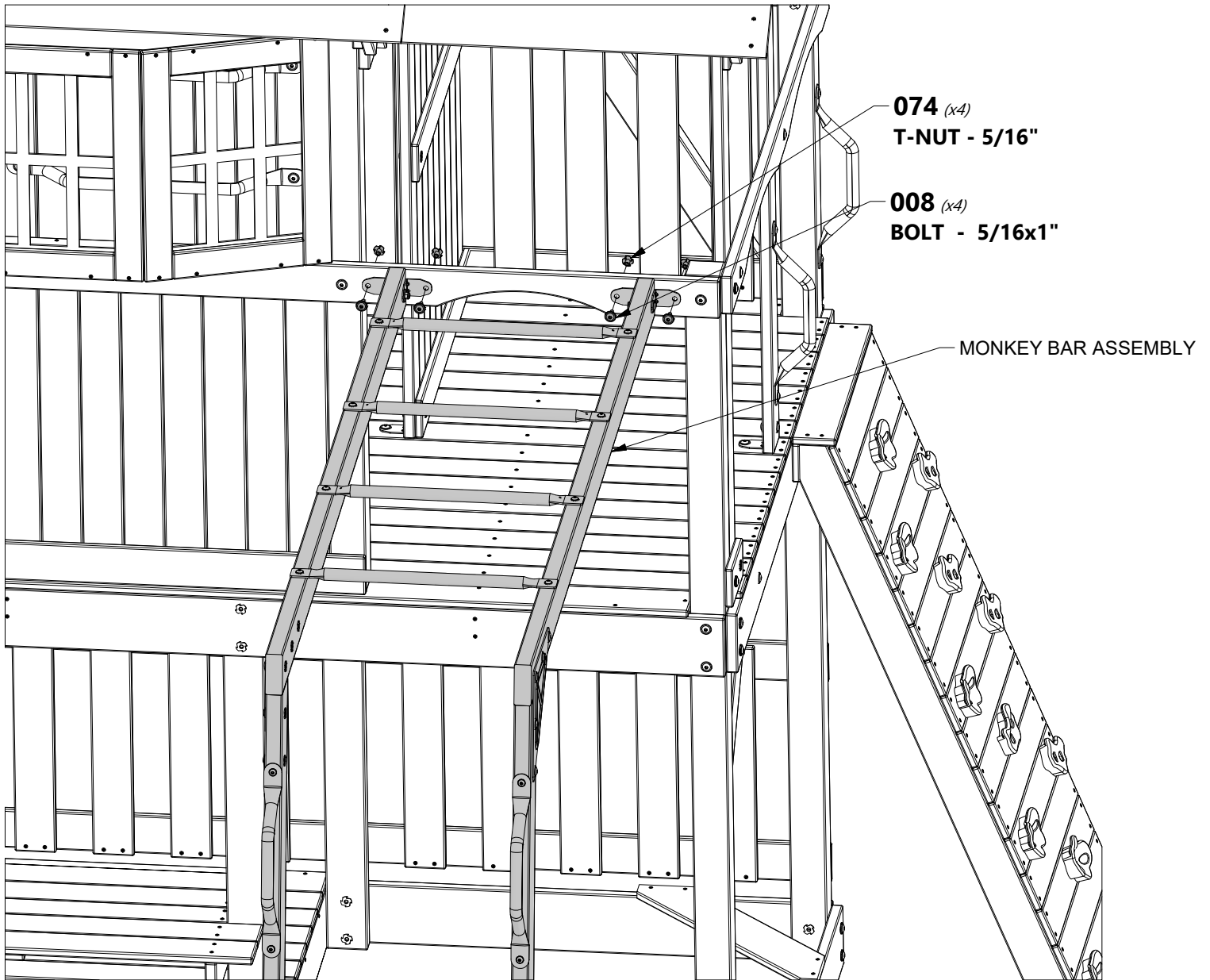
**H100008** | BOLT WH  
(4) | 5/16x1

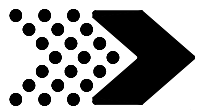


**H100074** | T-NUT  
(4) | 5/16



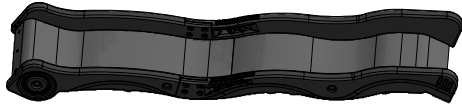
**TIP:**  
INSTALL T-NUTS INTO  
BOARDS BEFORE ASSEMBLY.





# FINAL ASSEMBLY

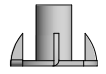
# STEP 3



(1) SLIDE ASSEMBLY



H100115 | BOLT WH  
(3) | 5/16x1/2

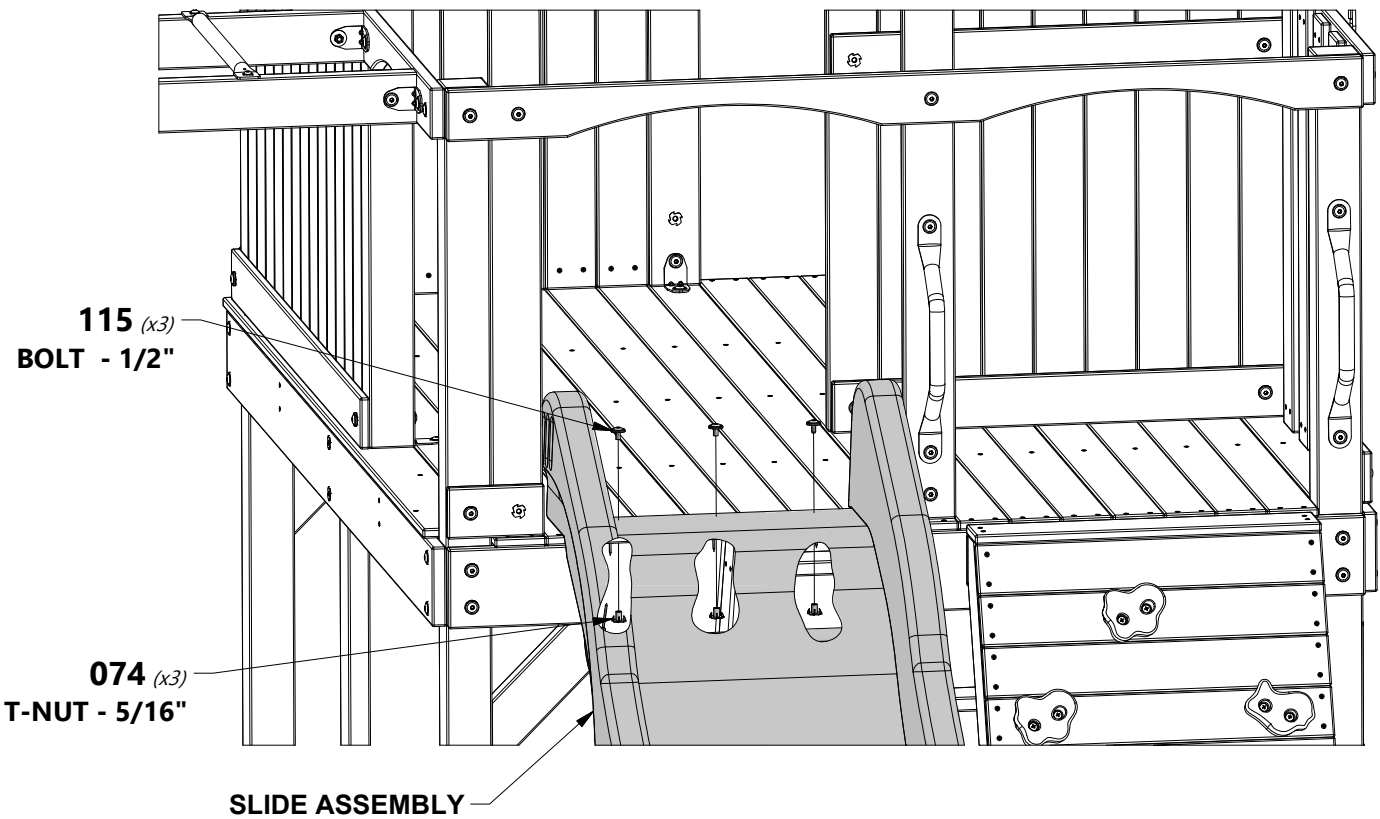
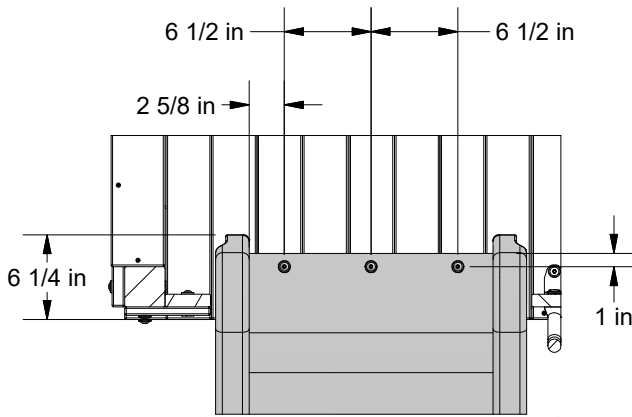


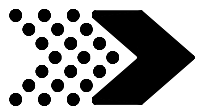
H100074 | T-NUT  
(3) | 5/16

**NOTE:**  
CENTER SLIDE IN OPENING. USING DIMENSIONS BELOW AS A TEMPLATE, DRILL (3) 3/8" HOLES THROUGH DECK FOR HARDWARE.



**TIP:**  
INSTALL T-NUTS INTO BOARDS BEFORE ASSEMBLY.

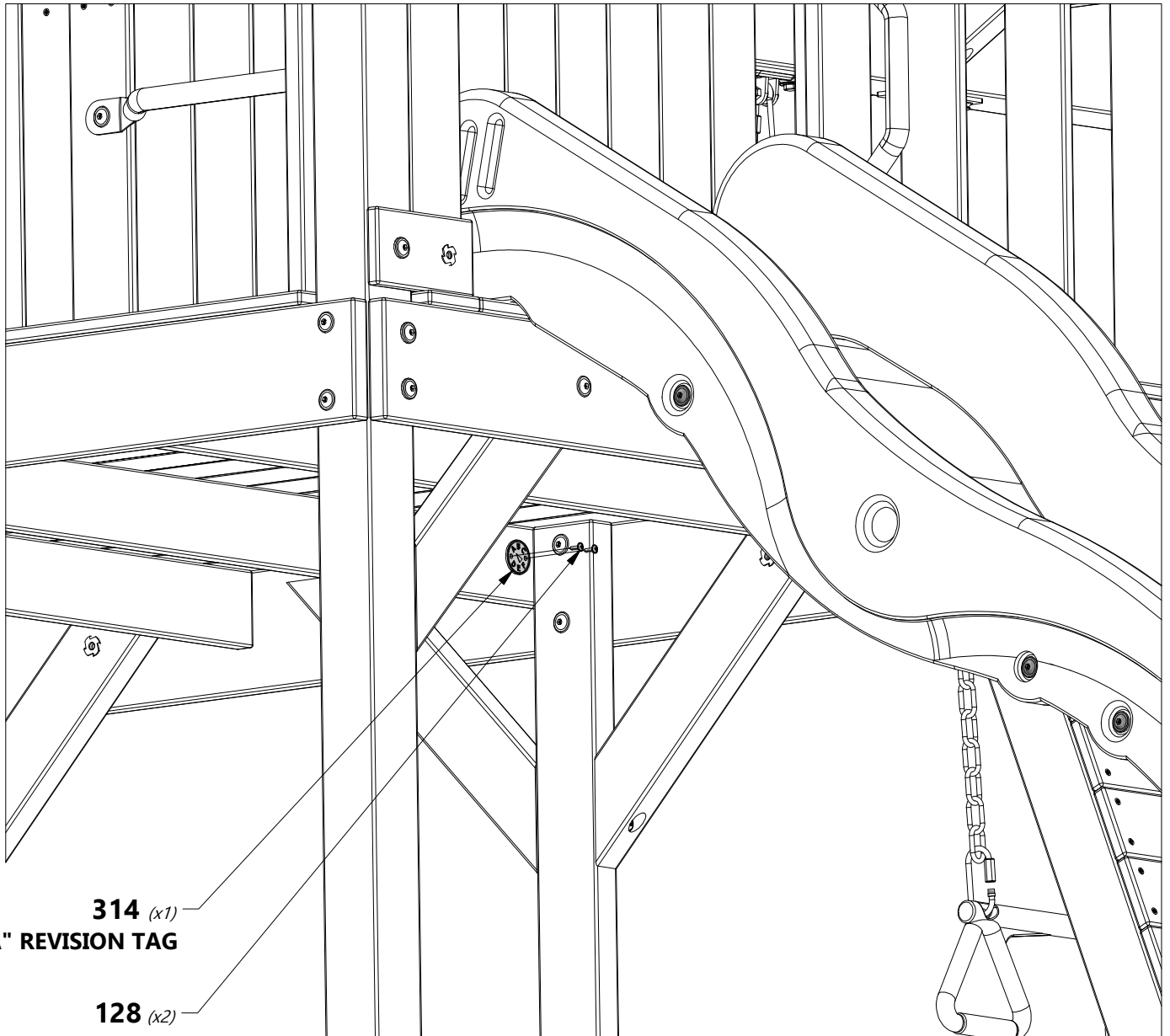




A100314  
(1) "A" REVISION TAG



H100128 | SCREW PWH  
(2) | 8x5/8



314 (x1)  
"A" REVISION TAG

128 (x2)  
SCREW - 5/8



**A100083** | ROPE-CHAIN  
*(2)* | GREEN 33"

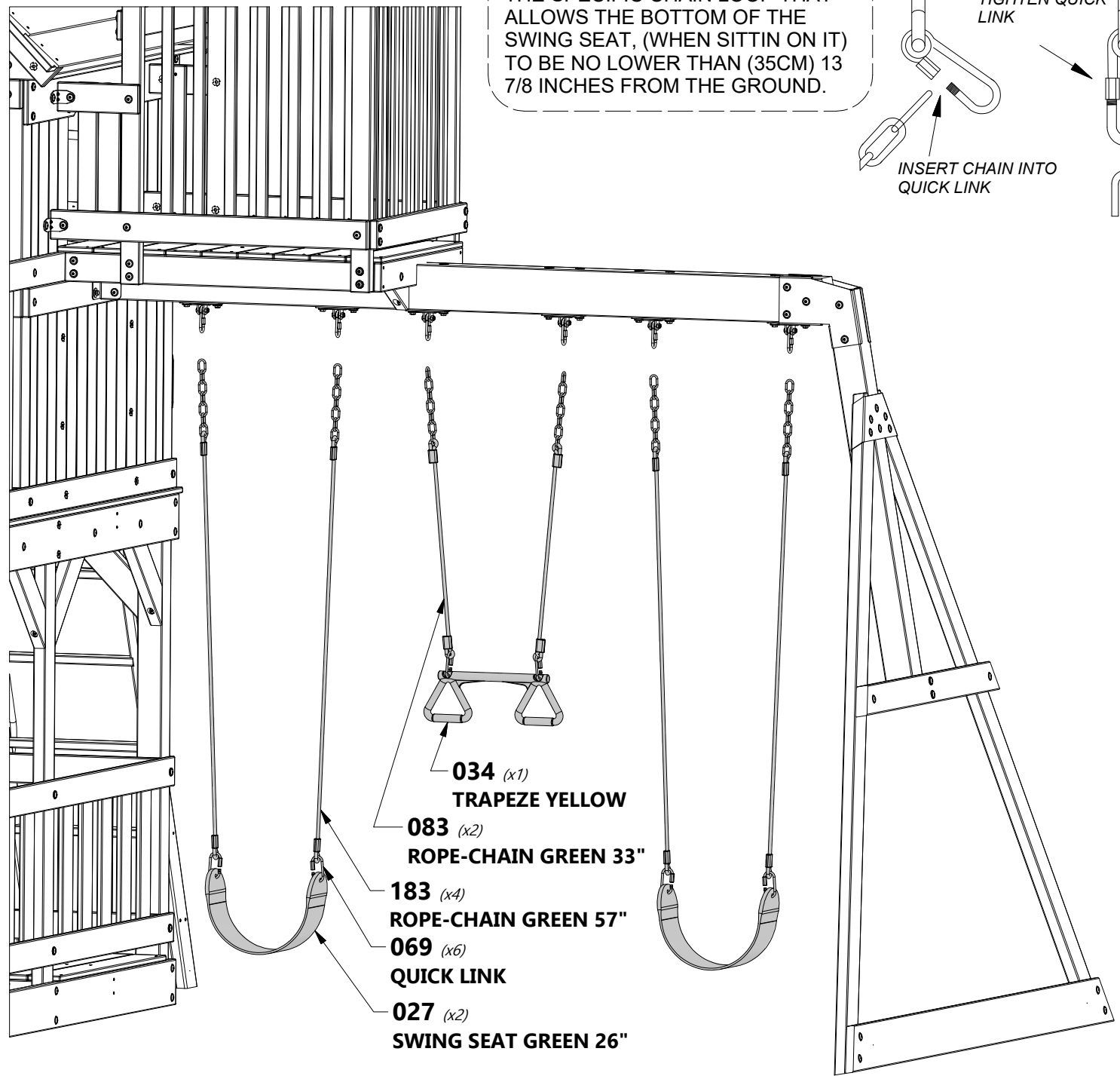
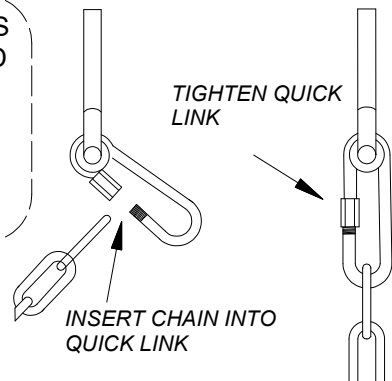
**A100069** | QUICK LINK  
*(6)*

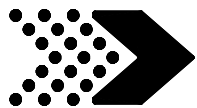
**A100027** | SWING SEAT  
*(2)* | GREEN 26"

**A6P00034** | TRAPEZE  
*(1)* | YELLOW

**A100183** | ROPE-CHAIN  
*(4)* | GREEN 57"

WHEN HANING YOUR SWINGS, IT IS REQUIRED TO ONLY TRIM AROUND THE SPECIFIC CHAIN LOOP THAT ALLOWS THE BOTTOM OF THE SWING SEAT, (WHEN SITTING ON IT) TO BE NO LOWER THAN (35CM) 13 7/8 INCHES FROM THE GROUND.





# FINAL ASSEMBLY

# STEP 6



A100178 | AUGER GROUND STAKE  
(8)



A4M00527 | GROUND STAKE REBAR  
(2)



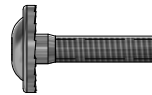
H100145 | LAG SCREW WH  
(8) | 1/4x1 1/2



H100106 | WASHER FLAT  
(8) | 9x18



H100031 | WASHER LOCK  
(2) | EXT  
12x19



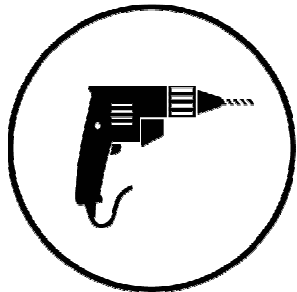
H100009 | BOLT WH  
(2) | 5/16x1 1/4



H100004 | NUT BARREL WH  
(2) | 5/16 x 5/8

**FINAL STEP**  
DOUBLE CHECK EVERY BOLT, SCREW AND NUT FOR TIGHTNESS. MAKE SURE EVERY BOARD IS SECURE AND MAKE SURE THE PLAY SET IS LEVEL.

**NOTE:**  
FAILURE TO ATTACH GROUND STAKES COULD CAUSE INJURY AND WILL VOID WARRANTY!



**DETAIL 'A'**  
TWIST STAKES INTO GROUND AGAINST GROUND BOARDS AND CORNER POSTS IN LOCATIONS SHOWN. USING STAKE AS A TEMPLATE, DRILL A 3/16" [5 mm] HOLE FOR LAGS.

**DETAIL 'B'**  
TWIST STAKES INTO GROUND AGAINST GROUND BOARDS AND CORNER POSTS IN LOCATIONS SHOWN. USING STAKE AS A TEMPLATE, DRILL A 3/16" [5 mm] HOLE FOR LAGS.

**DETAIL 'C' & 'D'**  
DRIVE STAKE INTO GROUND AT LOCATIONS SHOWN. USING STAKE AS A TEMPLATE, DRILL A 7/16" [10 mm] HOLE FOR HARDWARE.

