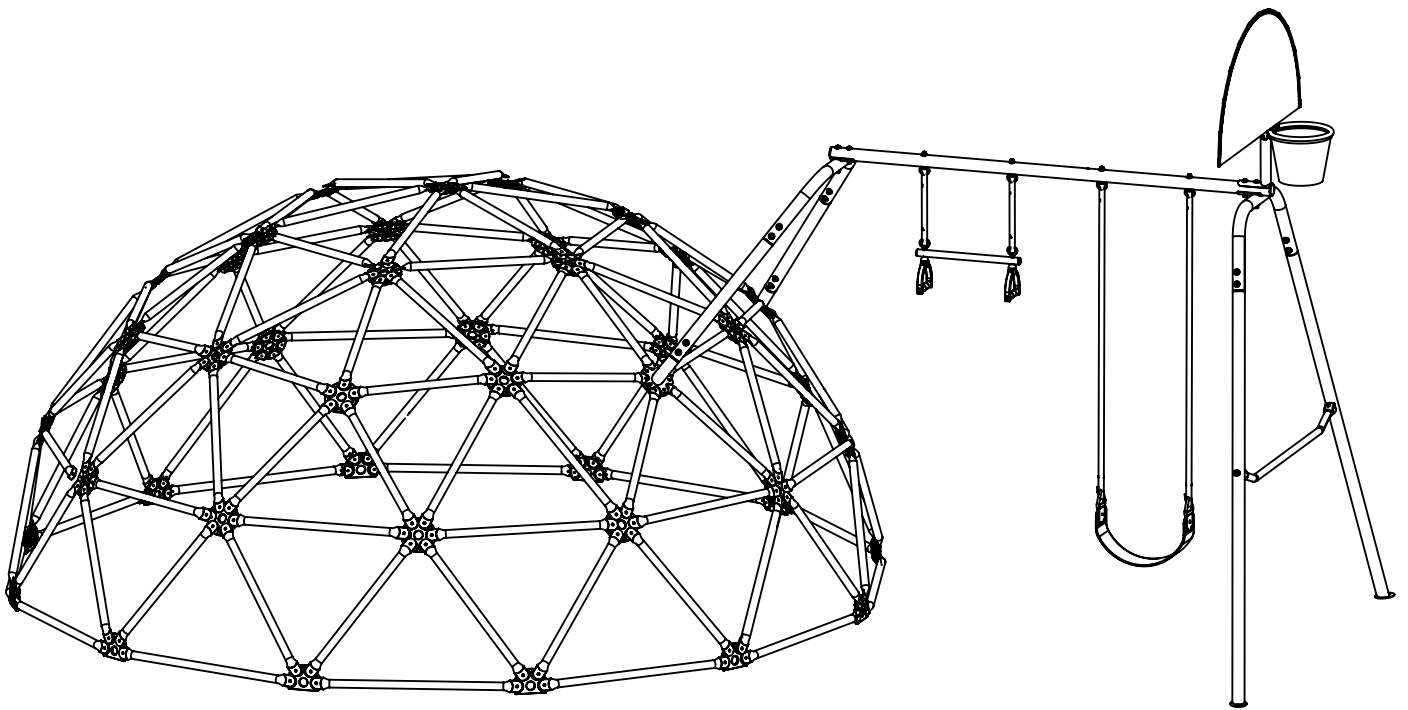


GEO DOME SWING SET ACCESSORY

Assembly, Maintenance, and User Manual

Skywalker Sports Model # SSGD700

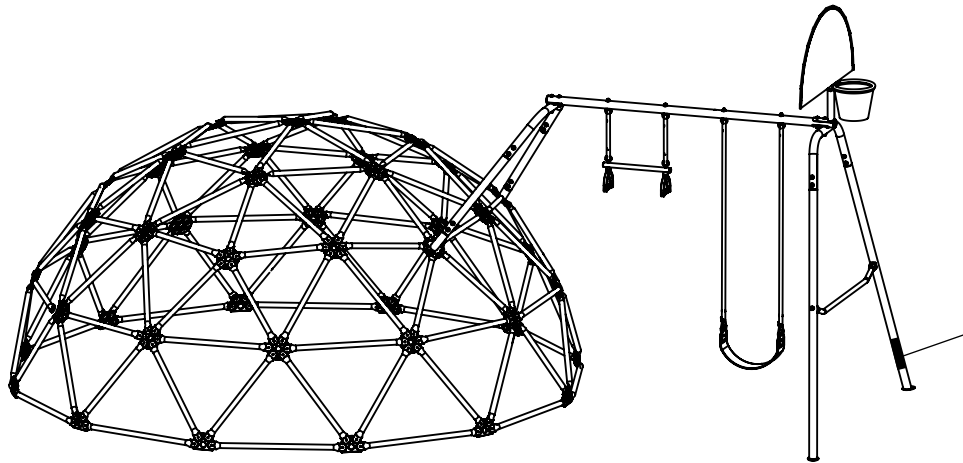


⚠ WARNING
Read all precautions and instructions in this manual before using this equipment. Save this manual for future reference.
Total weight limit 162 lbs.



Skwalker Holdings LLC
PO Box 574, Brigham City, UT 84302

Model# ID label is located at the bottom base of the Geo Dome Swing Set Accessory.



Size of the whole product:
L5660xW3650xH2700mm

Model SSGD700
GEO DOME - Accessories
Made in China
Skywalker Holdings, LLC
PO Box 547, Brigham City, UT, 84302 USA
www.Skywalkertrampolines.com
Factory address: Qingda Industrial Park
Chengyang Qingdao Shandong China
(Model # ID label location)

CONTENTS

Before You Begin3
Important Precautions3
Playground Surfacing Materials4
User Instructions5
Geo Dome Safety Information6
Parts Identification7
Parts List and Exploded Drawing.....8-9
Assembly.....10-17
Maintenance Information18
Limited Warranty19

REPLACEMENT PARTS or QUESTIONS

If you have questions after reading this manual, please call our toll-free Customer Care Hotline. Our trained technicians will provide immediate assistance.

Customer Care Hotline: 1-866-603-5867
Monday - Friday, 8:00 a.m. - 5 p.m. Mountain Time

! WARNING

Read the assembly, installation, care, maintenance, and use instructions in this manual prior to assembling and using this equipment. Save this manual for future reference.

! WARNING

This product must be anchored and achors are sold seperately.

BEFORE YOU BEGIN

Thank you for selecting a Skywalker Sports Geo Dome Swing Set Accessory. The Geo Dome Accessory kit can provide many years of backyard fun. Your Geo Dome comes equipped with warnings and instructions for the assembly, care, maintenance, and use. This information must be read by all Geo Dome Swing set Accessory supervisors and communicated to or read by all users before any person is allowed to use the Geo Dome.

If you have any questions after reading this manual, please call our toll-free Customer Care line at 1-866-603-5867, Monday through Friday, 8 a.m. until 5 p.m. Mountain Time (excluding holidays.)

INSTALLATION

WARNING! To reduce the risk of serious injury, read all important precautions and instructions in this manual and all warnings on the Geo Dome before assembly and use of this product.

1. It is the responsibility of the owner and supervisors of this geo dome and its accessories to make sure all users obey the safety instructions printed in this material.
2. This product is intended for use by children ages 4-8.
3. Use the geo dome only as described in this manual.
4. Always use the geo dome under adult supervision.
5. Total weight capacity is 162 lbs.
6. Be sure that geo dome is on a level surface, not less than 6 ft (1.8m) from any structure or obstruction such as a fence, garage, house, overhanging branches, laundry lines, or electrical wires.
7. Do not install over concrete, asphalt, packed earth, grass, carpet, or any other hard surface. A fall onto a hard surface can result in serious injury or death. The geo dome should never be placed on a hard surface such as concrete or asphalt.
8. It is recommended that the geo dome be anchored to the ground. Be certain that all anchoring devices are placed below the level of the playing surface or below ground to prevent tripping. Anchors are sold separately.
9. It is recommended that the geo dome be placed on shock absorbing surface. Shedded bark mulch, wood chips, fine sand or fine gravel are considered to be acceptable shock absorbing surfaces when installed and maintained at a sufficient depth under and around geo dome.
10. Do not let children use equipment until properly assembled and anchored.
11. Always inspect the geo dome before it is used and replace any worn, defective, or missing parts and tighten any bolts that have become loose. (Users may be hurt if the geo dome is used when it is in poor condition.)

PLAYGROUND SURFACING MATERIALS INFORMATION

The following information is from Section 4 of the United States Consumer Product Safety Commission's (USCPS) Outdoor Home Playground Safety Handbook for playground surfacing material.

X3. SECTION 4 OF THE CONSUMER PRODUCT SAFETY COMMISSION'S OUTDOOR HOME PLAYGROUND SAFETY HANDBOOK

X3.1 Select Protective Surfacing — One of the most important things you can do to reduce the likelihood of serious head injuries is to install shock-absorbing protective surfacing under and around your play equipment. The protective surfacing should be applied to a depth that is suitable for the equipment height in accordance with ASTM Specification F1292. There are different types of surfacing to choose from; which ever product you select, follow these guidelines:

X3.1.1 Loose Fill Materials:

X3.1.1.1 Maintain a minimum depth of 9 inches of loose-fill materials such as wood mulch/chips, engineered woodfiber (EWF), or shredded/recycled rubber mulch for equipment up to 8 feet high; and 9 inches of sand or pea gravel for equipment up to 5 feet high. NOTE: An initial fill level of 12 inches will compress to about a 9-inch depth of surfacing over time. The surfacing will also compact, displace, and settle, and should be periodically refilled to maintain at least a 9-inch depth.

X3.1.2 Use a minimum of 6 inches of protective surfacing for play equipment less than 4 feet in height. If maintained properly, this should be adequate. (At depths less than 6 inches, the protective material is too easily displaced or compacted.) NOTE: Do not install home playground equipment over concrete, asphalt, or any other hard surface. A fall onto a hard surface can result in serious injury to the equipment user. Grass and dirt are not considered protective surfacing because wear and environmental factors can reduce their shock absorbing effectiveness. Carpeting and thin mats are generally not adequate protective surfacing. Ground level equipment such as a sandbox, activity wall, playhouse or other equipment that has no elevated play surface does not need any protective surfacing.

X3.1.3 Use containment, such as digging out around the perimeter and/or lining the perimeter with landscape edging. Don't forget to account for water drainage.

X3.1.3.1 Check and maintain the depth of the loose-fill surfacing material. To maintain the right amount of loose-fill materials, mark the correct level on play equipment support posts. That way you can easily see when to replenish and/or redistribute the surfacing.

X3.1.3.2 Do not install loose fill surfacing over hard surfaces such as concrete or asphalt.

X3.1.4 Poured-In-Place Surfaces or Pre-Manufactured Rubber Tiles — You may be interested in using surfacing other than loose-fill materials like rubber tiles or poured-in-place surfaces.

X3.1.4.1 Installations of these surfaces generally require a professional and are not "do-it-yourself" projects.

X3.1.4.2 Review surface specifications before purchasing this type of surfacing. Ask the installer/manufacturer for a report showing that the product has been tested to the following safety standard: ASTM F 1292 Standard Specification for Impact Attenuation of Surfacing Materials within the Use Zone of Playground Equipment. This report should show the specific height for which the surface is intended to protect against serious head injury. This height should be equal to or greater than the fall height – vertical distance between a designated play surface (elevated surface for standing, sitting, or climbing) and the protective surfacing below – of your play equipment.

X3.1.4.3 Check the protective surfacing frequently for wear.

X3.1.5 Placement — Proper placement and maintenance of protective surfacing is essential. Be sure to:

X3.1.5.1 Extend surfacing at least 6 feet from the equipment in all directions.

X3.1.5.2 For tire swings, extend protective surfacing in front of and behind the swing to a distance equal to twice the height of the top bar from which the swing is suspended.

X3.1.5.3 For tire swings, extend surfacing in a circle whose radius is equal to the height of the suspending chain or rope, plus 6 feet in all directions.

This information has been extracted from the CPSC publications "Playground Surfacing — Technical Information Guide" and "Handbook for Public Playground Safety." Copies of these reports can be obtained by sending a postcard to the: Office of Public Affairs, U.S. Consumer Product Safety Commission, Washington, D.C., 20207 or call the toll-free-hotline: 1-800-638-2772.

USER INSTRUCTIONS

Observing the following statement and warnings reduces the likelihood of serious or fatal injury.

1. The Geo Dome accessory is designed for up to 2 persons and has a 162 lb. total weight limit.
2. On-site adult supervision for children of all ages at all times is required.
3. Instruct children not to walk close to, in front of, behind, or between moving items. Instruct children to keep a safe distance away to keep from being struck by items in play.
4. Instruct children not to twist swing chains or ropes or loop them over the top support bar since this may reduce the strength of the chain rope.
5. Instruct children to avoid swinging empty seats. These may strike other children or come back and strike you.
6. Teach children to sit in the center of the swings with their full weight on the seats. DO NOT allow children to stand on the seats and DO NOT allow children to lean to the side or collide with other playmates.
7. Instruct children not to use the equipment in any manner other than intended.
8. Instruct children not to get off equipment while it is in motion. Do not allow children to jump from moving play items.
9. Dress children in appropriate clothing while playing on and around the equipment. Do not allow the children to wear loose fitting clothing, hood and neck drawstrings, scarves, cord-connected items, capes, and ponchos. These items can cause death by strangulation.
10. Do not allow children to play on equipment when it is wet. Injury due to slips or falls may occur.
11. Instruct children not to attach items to the playground equipment that are not specifically designed for use with the equipment, such as, but not limited to, jump ropes, clothesline, pet leashes, cables and chain as they may cause a strangulation hazard.
12. Instruct children to always grasp the Geo Dome frame rails while playing and climbing.
13. Check the openings between rollers and sliding surfaces of rollers slides for materials that could be potentially hazardous.
14. Make sure that suspended climbing ropes, chain, or cable are secured at both ends and cannot be looped back on itself.
15. Instruct children to remove their bike or other sports helmets before playing.
16. Dress children with well-fitting and full foot enclosing footwear. Do not wear clogs, flip flops, and sandals.
17. **WARNING:** Lawn swings are designed for use by children two years of age and older. The use by children under the age of two can result in entrapment between the seat and back rest because the child's body may pass through the opening, causing entrapment of the child's head. Such entrapment may result in strangulation. NEVER place children in a rearward facing position or with legs between the seat and backrest.
18. Instruct children to step on and off of the geo dome, do not jump.
19. Check bolts before every use. Tighten any bolts that have become loose before allowing children to play.

GEO DOME SAFETY INFORMATION

A Geo Dome is a recreational product.

The information on this manual identify important safety precautions. The precautions are not all-inclusive, because a geo dome can be used in ways that this manual cannot cover completely.

USING THE GEO DOME SAFELY

Adult Supervision of Children

Children using the geo dome must be supervised by adults at all times.

Adults may pay particular attention to:

- Entering and exiting the geo dome safely
- Appropriate clothing, No loose-fitting clothing, scarf's, ponchos or clothing that is potentially hazardous.
- Do not attach items to the geo dome that are not specifically designed for use with the equipment, such as but not limited to, jump ropes, clothesline, pet leashes, cables, extension cords, garden hose and chains as they may cause a strangulation hazard
- Darkness increases the chances of a fall. Do not use the geo dome unless there is plenty of lighting provided

Electrocutions Hazard Associated with the Metal Frame of the Geo Dome

The geo dome frame is made of metal. It is not grounded and will conduct electricity. For this reason, an electrocution hazard exists. No light, electric heaters, extension cords or household electrical appliances are to be permitted in or on the geo dome at any time.

Placing the Geo Dome in a Safe Place

To avoid injury, the geo dome must be kept away from objects and possible hazards including electric power wiring, tree limbs, and fences. Do not place the geo dome near any other recreational device or structures such as a swimming pool or hot tub. The geo dome must be placed on a level surface before use. The area around the geo dome must always have plenty of light.

For the Supervisor

Be familiar with the information in this manual and enforce all of the safety rules. Help new users and all user to the geo dome. All geo dome users must have someone watch them, regardless of the skill or age of the user. Keep the geo dome free of any objects that could interfere with the proper use of the geo dome such as but not limited to, jump ropes, clothesline, pet leashes, cables, extension cords, garden hose and chains as they may cause a strangulation hazard.

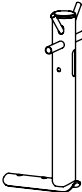
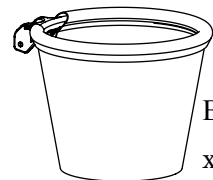
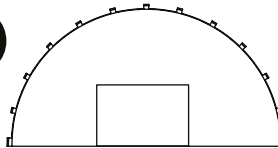




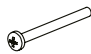

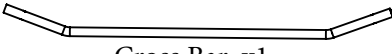


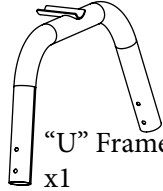
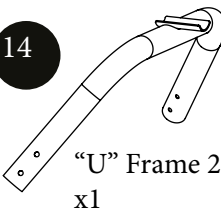
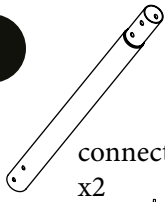
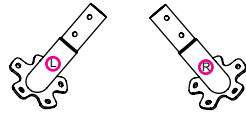
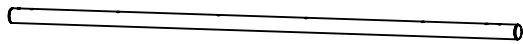
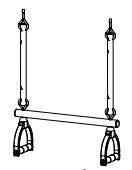
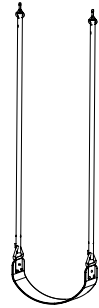
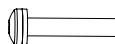

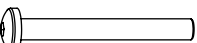
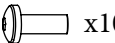

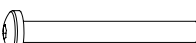
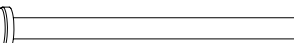
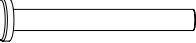





For the Geo Dome User

Do not use the geo dome when under the influence of drugs or alcohol. Do not attempt to jump onto or off of the geo dome. Wear clothing that does not have drawstrings, hooks, loops or anything else that can get caught in the geo dome.

ASSEMBLY

PARTS IDENTIFICATION

Before beginning assembly, refer to the drawings below to identify all the parts used. The numbers in the circles to the left of each part will be used to help differentiate the parts in the instructions.

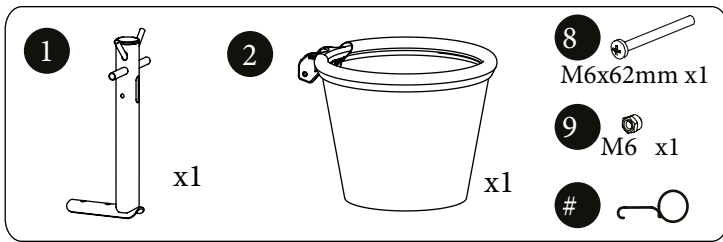
- 1  Stand x1
- 2  Basketball hoop x1
- 3  Backboard x1
- 4  Flex Rod With Connector (Φ6) x2
- 5  Flex Rod Thin (Φ6) x1
- 6  Cross Flex Rod(Thick) (Φ9.5) x2
- 7  Flex Rod With Clip End (Φ6) x2
- 8  M6x62mm Bolt x1
- 9  M6 Nut x3
- 10  Cross Bar x1
- 11  Plastic Protector x2
- 12  Upright "R" x1
- 13  "U" Frame 1 x1
- 14  "U" Frame 2 x1
- 15  connect tube x2
- 16  welded tube "L" x1 welded tube "R" x1
- 17  Top tube x1
- 18  Gymnast bar x1
- 19  Swing x1
- 20  M6x40mm Bolt x2
- 21  M8x35mm Bolt x2
- 22  M8x60mm Bolt x12
- 23  M8x15mm Bolt x10
- 24  M8x105mm Bolt x1
- 25  M8x65mm Bolt x1
- 26  M8x108mm Bolt x1
- 27  M8x68mm Bolt x1
- 28  M8 Nut x16
- 29  M6 Washer x2
- 30  M8 Washer x10
- 31  Arc washer x34
- 32  End cap x2

ASSEMBLY

PARTS LIST

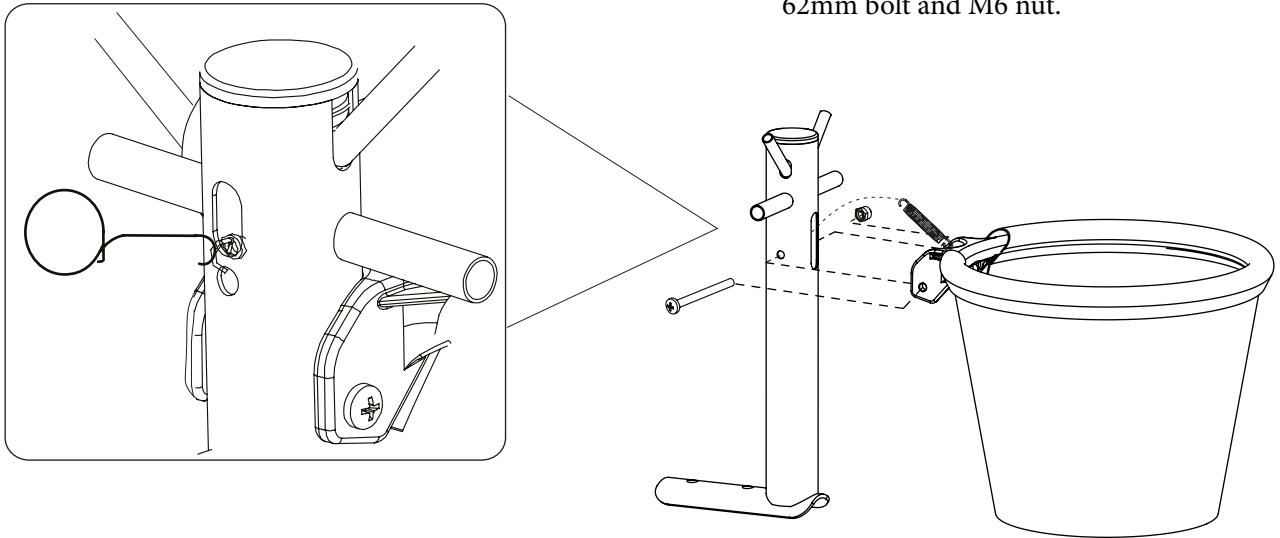
Key No.	Qty.	Description
1	1	Stand
2	1	Basketball hoop
3	1	Backboard
4	2	Flex Rod With Connector ($\Phi 6$)
5	1	Flex Rod Thin ($\Phi 6$)
6	2	Cross Flex Rod(Thick) ($\Phi 9.5$)
7	2	Flex Rod With Clip End ($\Phi 6$)
8	1	M6x62mm Bolt
9	3	M6 Nut
10	1	Cross Bar
11	2	Plastic Protector
12	2	Upright (“R”&“L”)
13	1	“U” Frame 1
14	1	“U” Frame 2
15	2	Connect tube
16	2	Welded tube (“R”&“L”)
17	1	Top tube
18	1	Gymnast bar
19	1	Swing
20	2	M6x40mm Bolt
21	2	M8x35mm Bolt
22	12	M8x60mm Bolt
23	10	M8x15mm Bolt
24	1	M8x105mm Bolt
25	1	M8x65mm Bolt
26	1	M8x108mm Bolt
27	1	M8x68mm Bolt
28	16	M8 Nut
29	2	M6 Washer
30	10	M8 Washer
31	34	Arc washer
32	2	End cap

ASSEMBLY

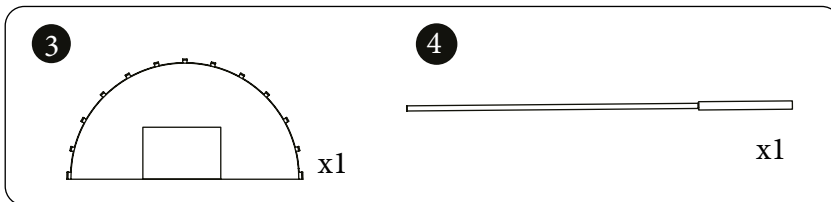


Use the parts to left for this step. Using the pictured tool, pull the spring of the basketball hoop(2) through large hole of the stand(1) and hook to the smaller hole below. Now attach the basketball hoop to the hoop stand using the M6x-62mm bolt and M6 nut.

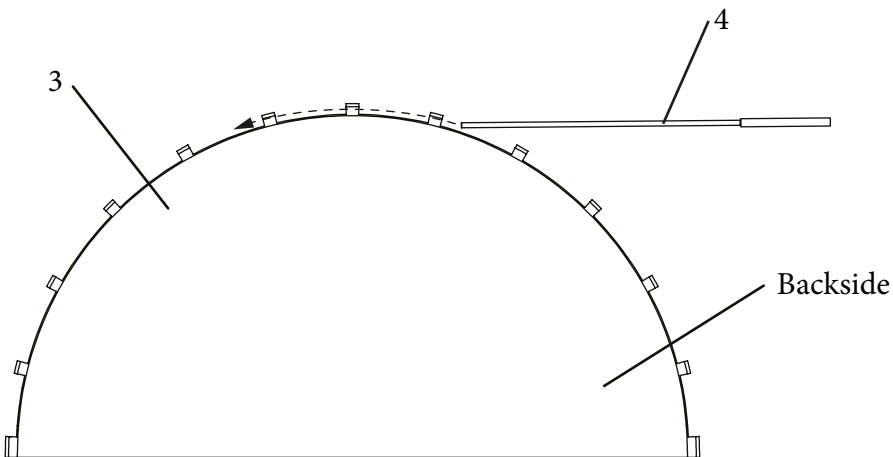
1.



2.

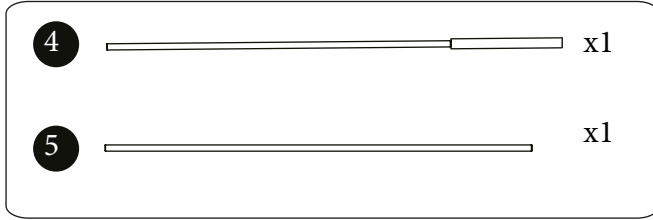


Using the the parts pictured to left, slide the flex rod with connector (4) through the tabs on the top of the backboard(3) (make sure the backside is facing you.)

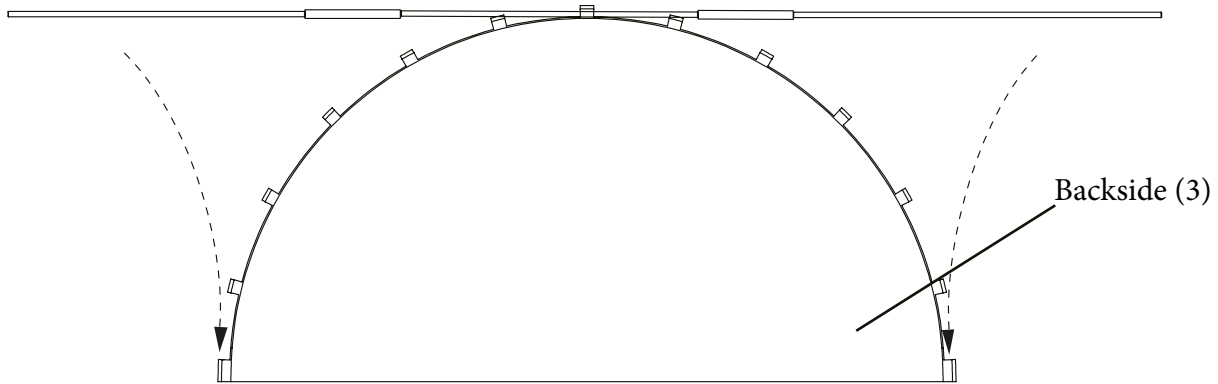
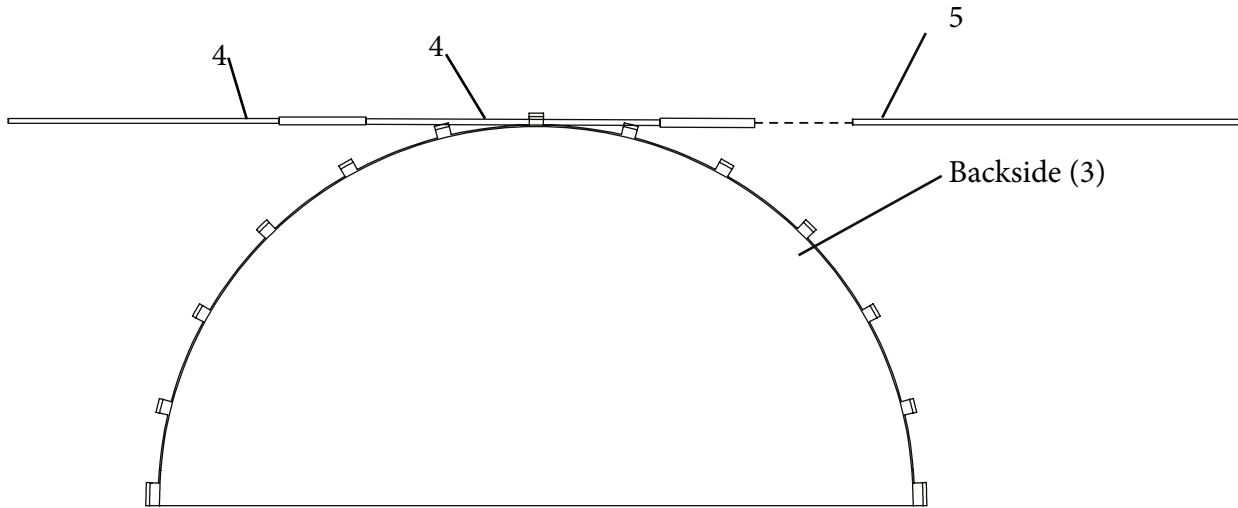


ASSEMBLY

3.



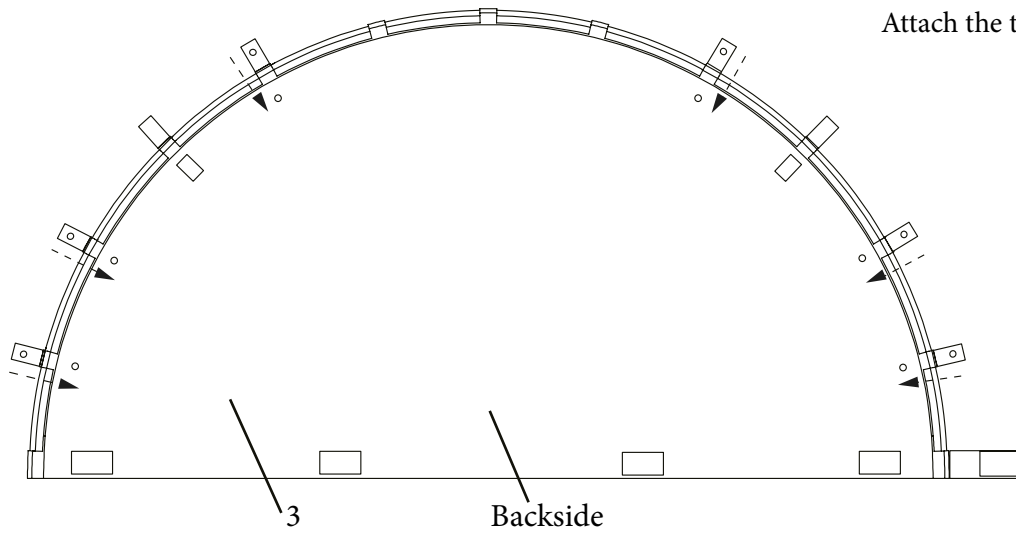
Using the parts pictured on the left, attach flex rod thin(5) to the ends of the flex rod with connector(4) placed in step 2. Then bend both rods (4 & 5) into the bottom tabs on the backboard (3).



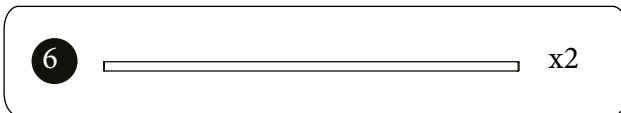
ASSEMBLY

4.

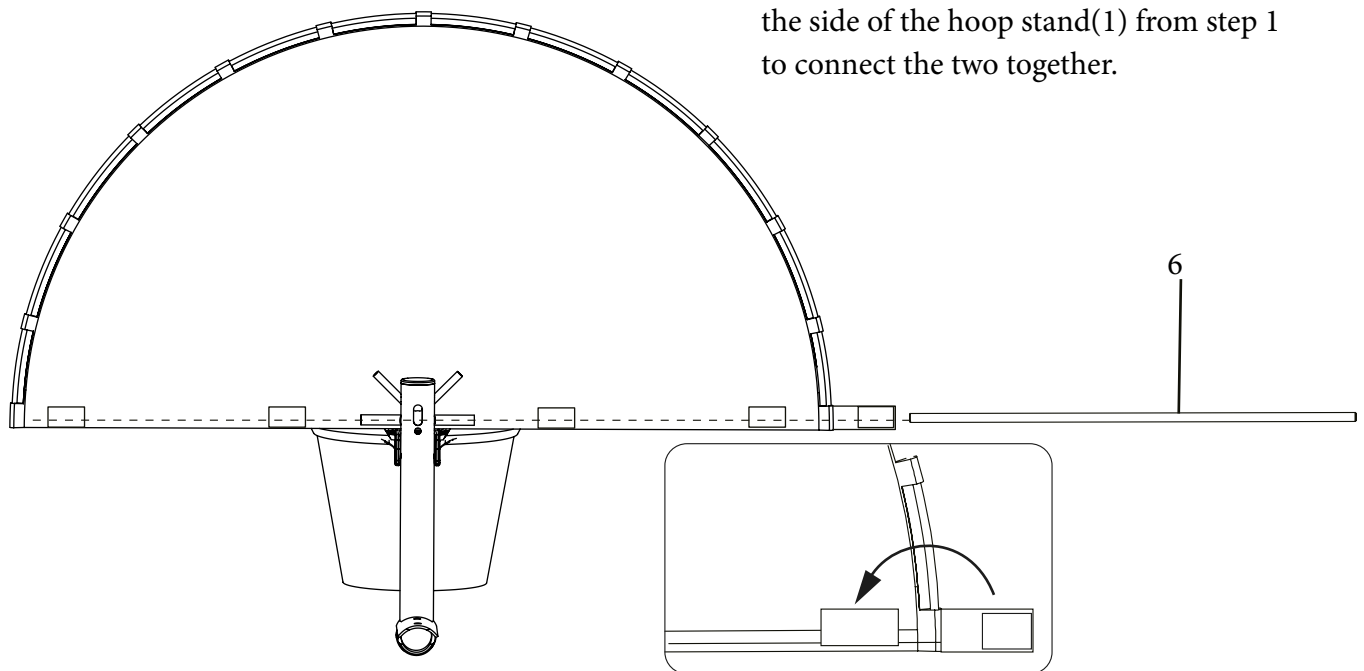
Attach the tabs around the poles.



5.

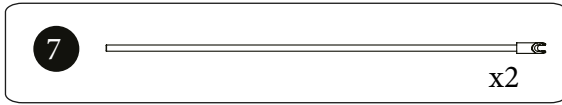


Using the Cross Flex Rod(Thick)(6) pictured to the left, slide through the bottom of the backboard, and through the side of the hoop stand(1) from step 1 to connect the two together.

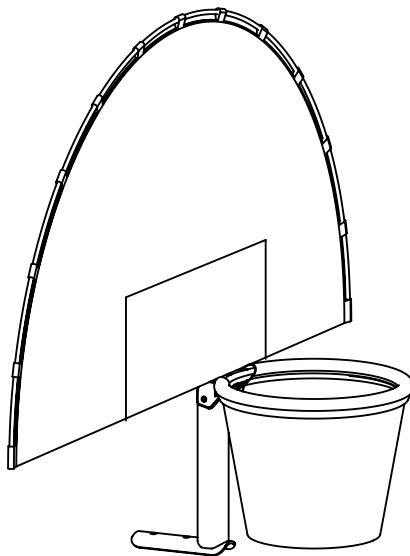
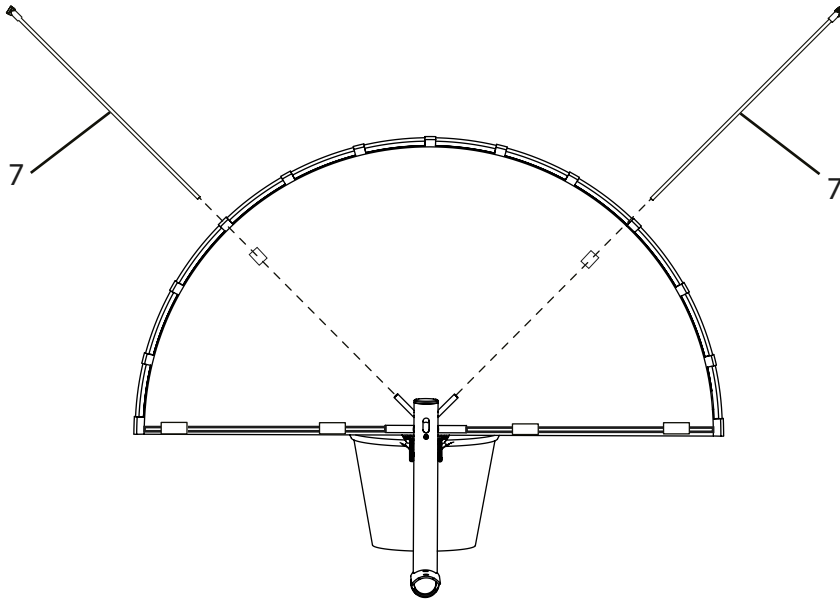


ASSEMBLY

6.

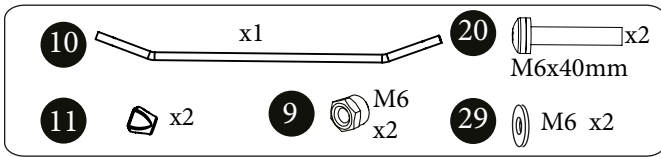


Using the flex rod with clip end (7) to the left, slide the through the back tabs of the backboard.

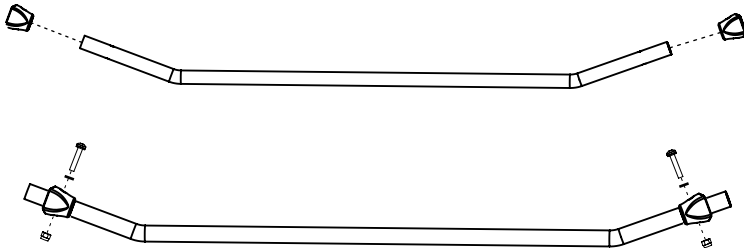


ASSEMBLY

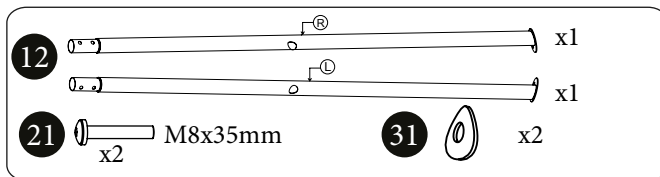
7.



Using the parts pictured to the left, connect the plastic protector (11) to the cross bar (10).

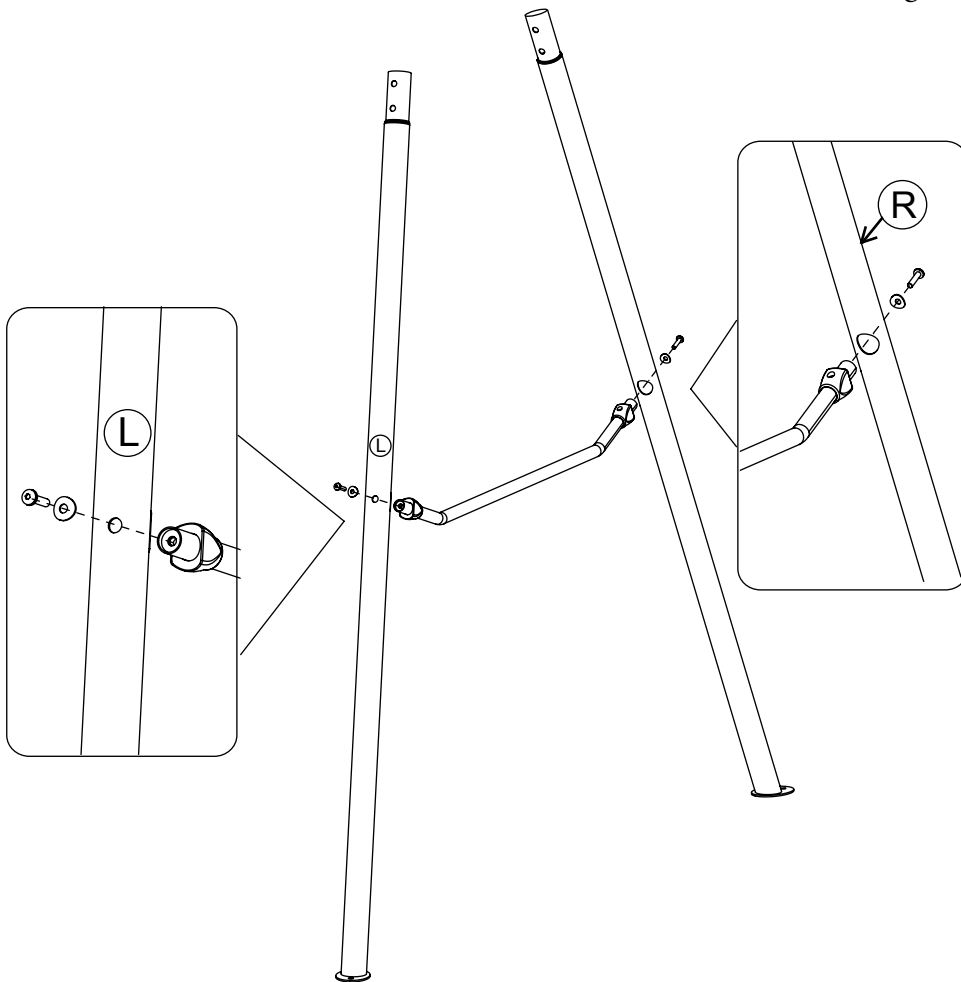


8.



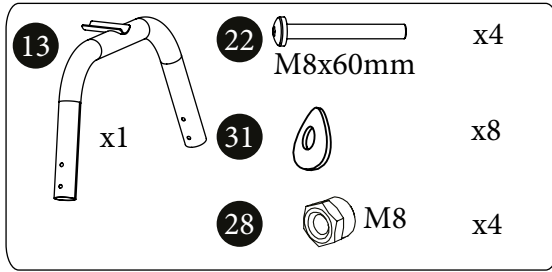
Using the parts pictured to the left, attach the cross bar from step 7 to the upright (12).

Note: Don't tighten the bolts yet!



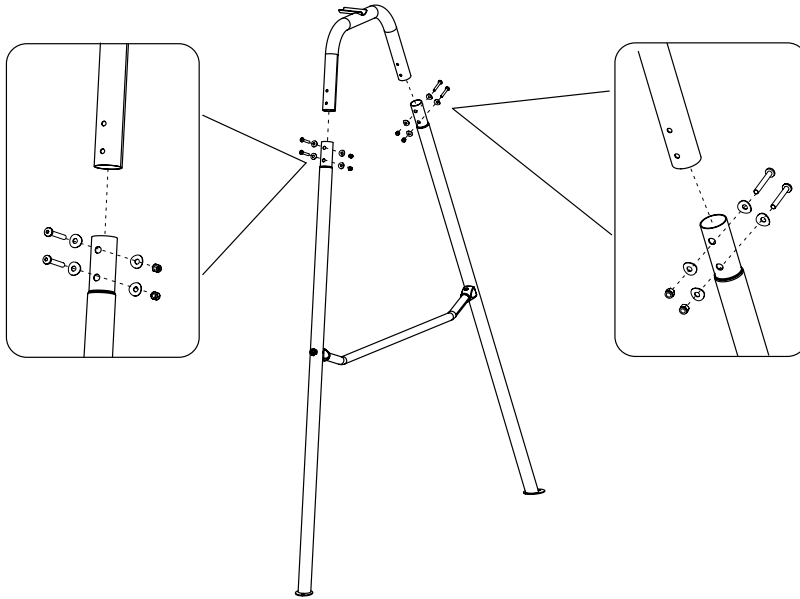
ASSEMBLY

9.

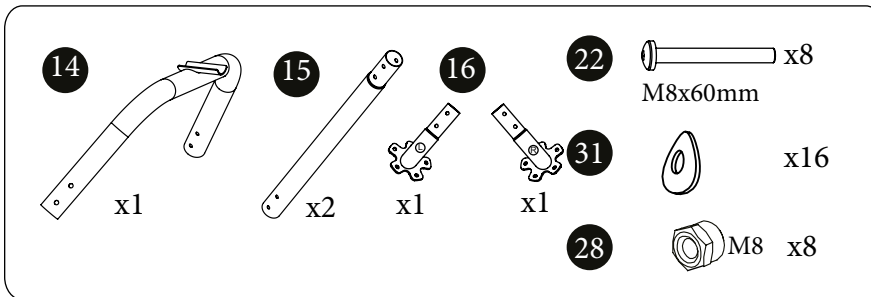


Using the parts pictured to the left, attach the "U" frame 1(13) to the poles from step 8 to complete the swing set A-frame.

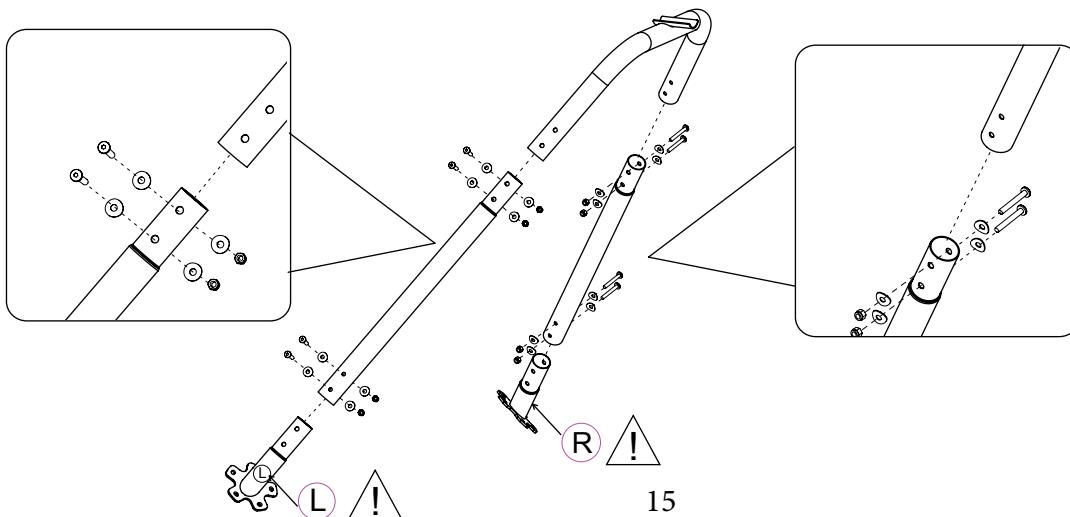
Note: Tighten all the bolts.



10.

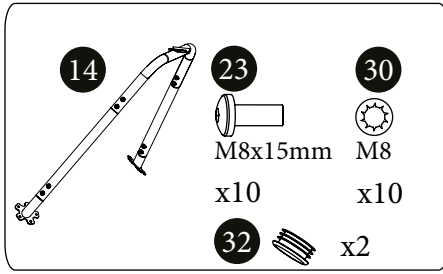


Using the parts pictured to the left connect the shorter A-frame pieces together.



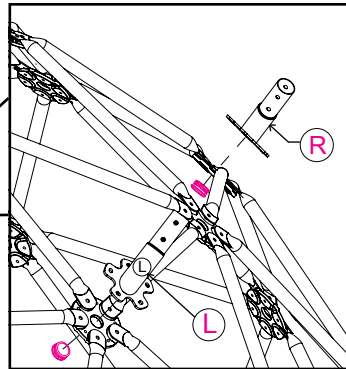
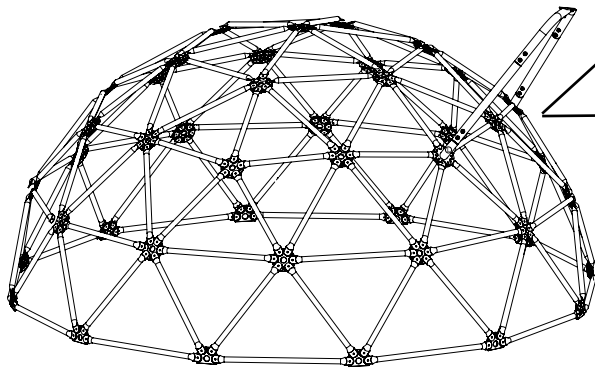
ASSEMBLY

11.

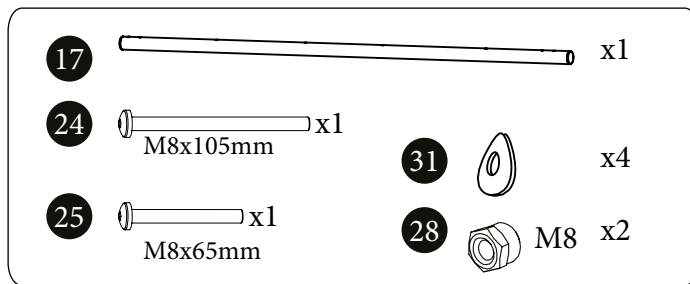


Using the parts pictured to the left, attach the "U"-frame 2 (14) to the geo dome at the two 10 hole plates. (This is the plates with the addition holes from step 5 of the geo dome assembly)

Then insert the End cap(32) into the middle hole on the Plate.

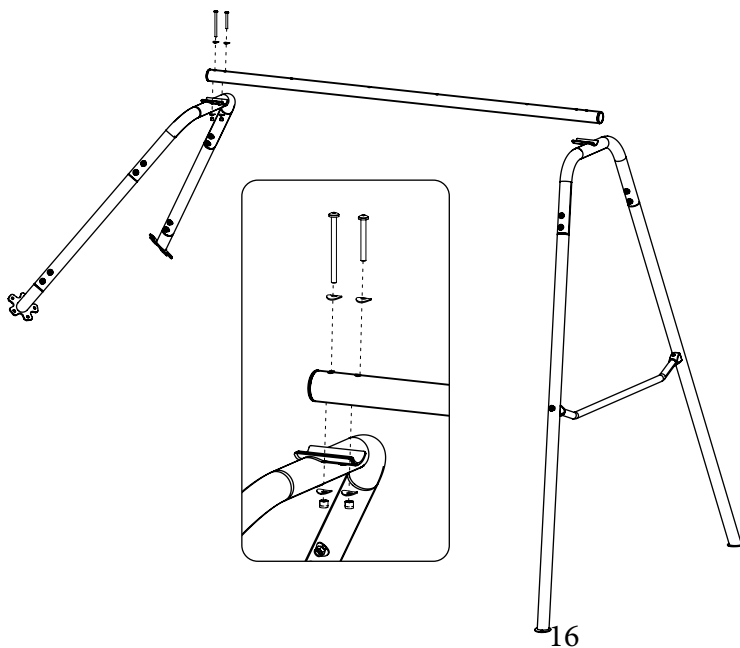


12.



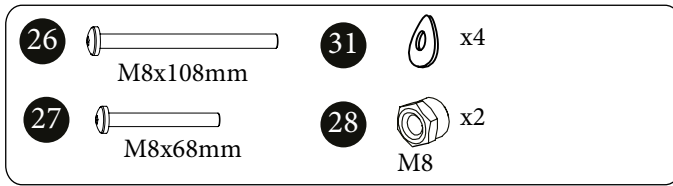
Using the parts pictured to the left, connect the top tube of the swing set(17) to the short A-frame piece that is connected to the geo dome.

Note: You will attach the other side in the next step.



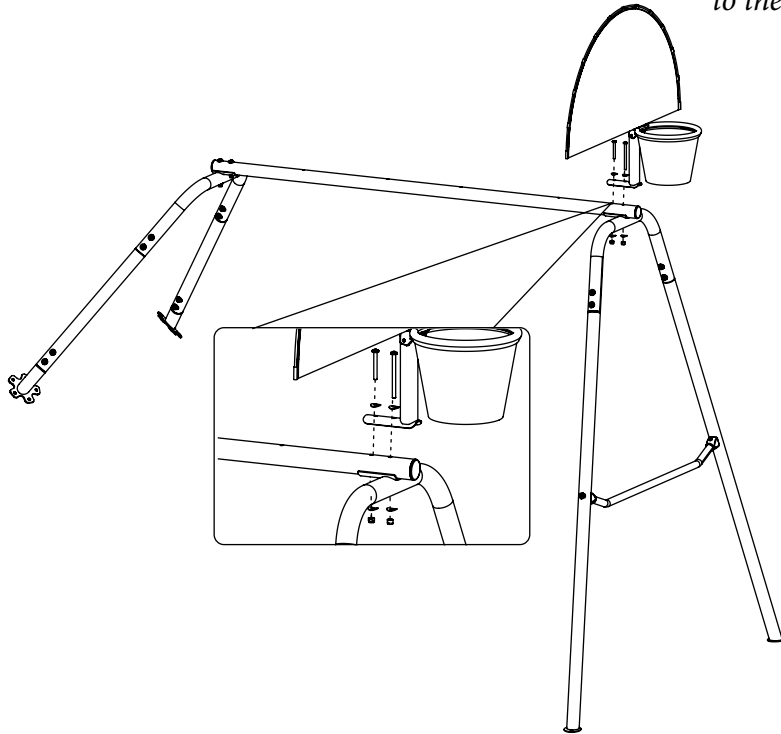
ASSEMBLY

13.

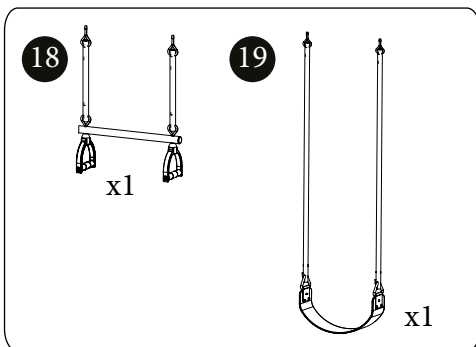


Using the parts pictured to the left, attach the basketball game to the swing set frame.

Note: This will also attach the top tube to the A-frame piece.

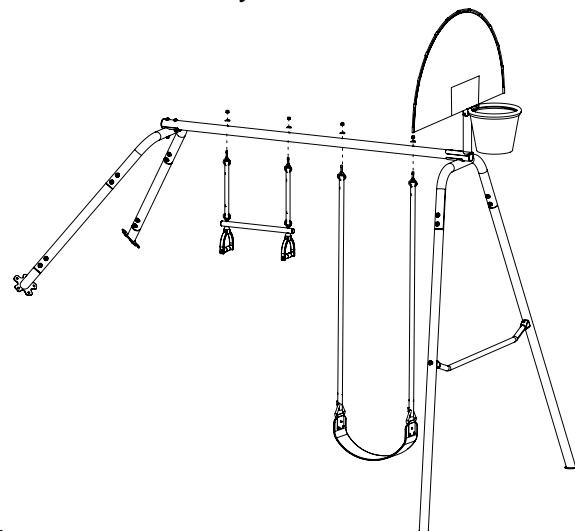


14.



Using the parts pictured to the left, now attach the swing and gymnast bar.

Note: The bolts and washers are pre-installed. Please loosen the bolts and washers first.



The assembly of your Geo Dome and Swing Set Accessory are now complete. Enjoy!

MAINTENANCE INFORMATION

This product was manufactured using quality materials and crafted to provide you and your family with many years of enjoyment and exercise. Proper maintenance care will help to prolong the life and reduce the possibility of injury. The following guidelines should be followed.

1. Tighten all hardware at the beginning of each play season.
2. Lubricate all metallic moving parts per manufacturer's instructions.
3. Check all protective coverings on bolts, pipes, edges, and corners. Replace if they are loose, cracked, or missing.
4. Check all moving parts including swing seats, ropes, cables and chains for wear, rust, or other deterioration. Replace as needed.
5. Check metal parts for rust. If found, sand and repaint using a nonlead-based paint.
6. Check all wood members for deterioration and splinters. Sand down splinters and replace deteriorating wood members.
7. Reinstall any plastic parts, such as swing seats or any other items that were removed for the cold reason.
8. Rake and check depth of loose fill protective surfacing materials to prevent compaction and to maintain appropriate depth. Replace as necessary.
9. Twice a month during play season: Tighten all hardware, check all protective coverings on bolts, pipes, edges, and corners. Replace if they are loose, cracked, or missing. Rake and check depth of loose fill protective surfacing materials to prevent compaction and to maintain appropriate depth. Replace as necessary.
10. Once a month during play season: Lubricate all metallic moving parts per manufacturer's instructions. Check all moving parts including swing seats, ropes, cables, and chains for wear, rust, or other deterioration. Replace as needed.
11. At the end of each play season or when the temperature drops below 32°F: remove plastic swing seats and other items as specified by the manufacturer and take indoors or do not use. Rake and check depth of loose fill protective surfacing materials to prevent compaction and to maintain appropriate depth. Replace as necessary. Owners shall be responsible for maintaining the legibility of the warning labels.
12. Disposal Instructions — Disassemble and dispose of the playground equipment in such a way that no unreasonable hazards will exist at the time the playground equipment is discarded.

If any these conditions exist, this product should be disassembled or otherwise protected from being used until the condition is fixed.

LIMITED WARRANTY

Skywalker Holdings, LLC warrants its products to be free from defects in material and workmanship under normal use and service conditions. The steel frame is warranted for one (1) year after the date of purchase. All other parts are warranted for ninety (90) days after the date of purchase. Wind or weather damage is not warranted.

All warranty coverage extends only to the original retail purchaser from the date of purchase. Skywalker Holdings, LLC obligation under this Warranty is limited to replacing or repairing, at Skywalker Holdings, LLC option, the product at one of this authorized service centers. All products for which a warranty claim is made must be received by Skywalker Holdings, LLC at one of its authorized locations. Preauthorization may be obtained by calling Skywalker Holding, LLC Customer Care Hot Line at 1-866-603-Jump(5867). This Warranty does not extend to any product or damage to a product caused by or attributable to freight damage, abuse, misuse, improper or abnormal usage, or repair not provided by a Skywalker Holdings, LLC authorized service center, or to products used for commercial or rental purpose. No other Warranty beyond that specifically set forth above is authorized by Skywalker Holdings, LLC.

SKYWALKER HOLDINGS, LLC IS NOT RESPONSIBLE OR LIABLE FOR INDIRECT, SPECIAL OR CONSEQUENTIAL DAMAGES ARISING OUT OF OR IN CONNECTION WITH THE USE OR PERFORMANCE OF THE PRODUCT OR OTHER DAMAGES WITH RESPECT TO ANY ECONOMIC LOSS, LOSS OF PROPERTY, LOSS OF REVENUE OR PROFITS, LOSS OF ENJOYMENT OR USE, COST OF REMOVAL, INSTALLATION OR OTHER CONSEQUENTIAL DAMAGES. SOME STATES DO NOT ALLOW THE EXCLUSION OR LIMITATION OF INCIDENTAL OR CONSEQUENTIAL DAMAGES. ACCORDINGLY, THE ABOVE LIMITATION MAY NOT APPLY TO YOU.

THE WARRANTY EXTENDED HEREUNDER IS IN LIEU OF ALL OTHER WARRANTIES AND ANY IMPLIED WARRANTY OF MERCHANTABILITY OR FITNESS FOR A PARTICULAR PURPOSE IS LIMITED IN ITS SCOPE AND DURATION TO THE TERMS SET FORTH HEREIN. SOME STATES DO NOT ALLOW LIMITATIONS ON HOW LONG AN IMPLIED WARRANTY LASTS. ACCORDINGLY, THE ABOVE LIMITATION MAY NOT APPLY TO YOU. This Warranty gives you specific LEGAL RIGHTS. You may also have other rights which vary state to state.

THIS WARRANTY IS VALID ONLY IN THE UNITED STATES.

Skywalker Holdings, LLC, PO Box 574, Brigham City, UT 84302 USA.

Printed in China © 2016 Skywalker Holdings, LLC,