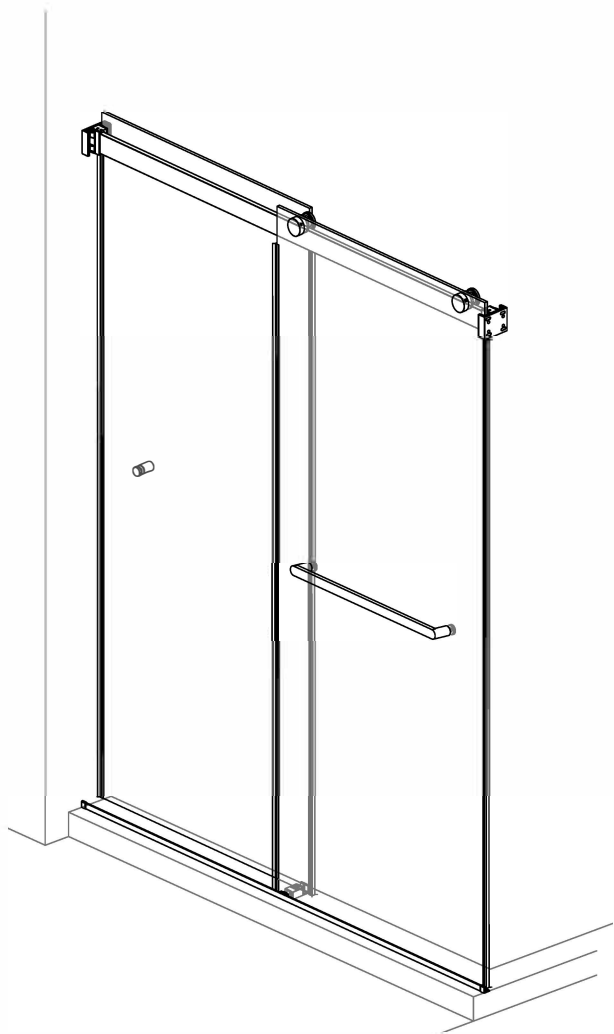
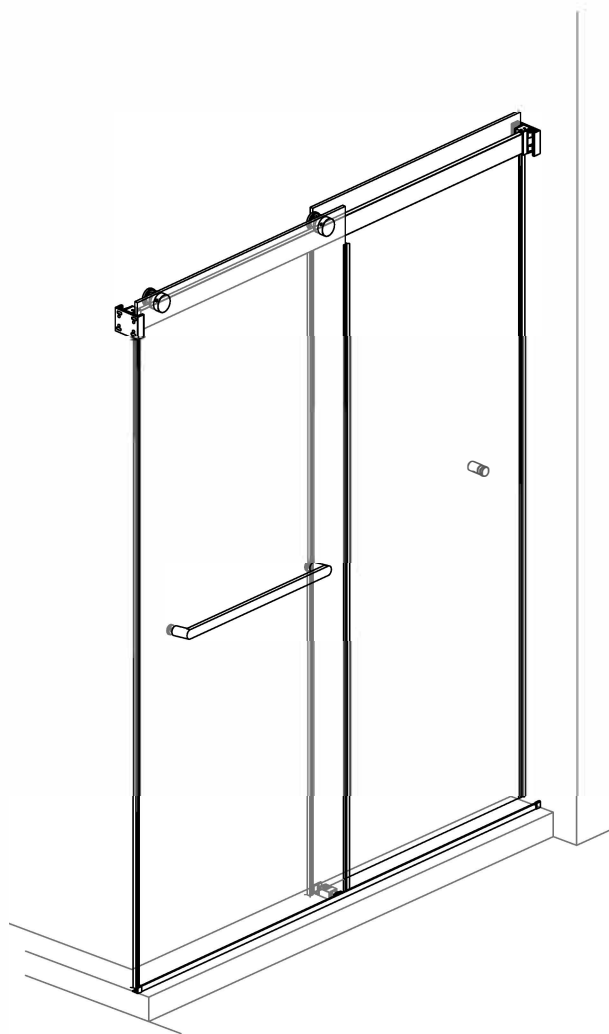


INSTALLATION INSTRUCTIONS



outside door right



outside door left

BEHL1008
ENRO1045
ENRO1046



◆ General Information

Please inspect the product immediately upon receipt for transit damage, missing packs/parts or manufacturing fault. Damage reported later cannot be accepted. Please handle the product with care avoiding knocks and shock loading to all sides and edges of the glass.

Notes: Safety glass can not be re-worked.

Please read these instructions carefully before start of installation.

Special care should be taken when drilling walls to avoid hidden pipes or electrical cables.

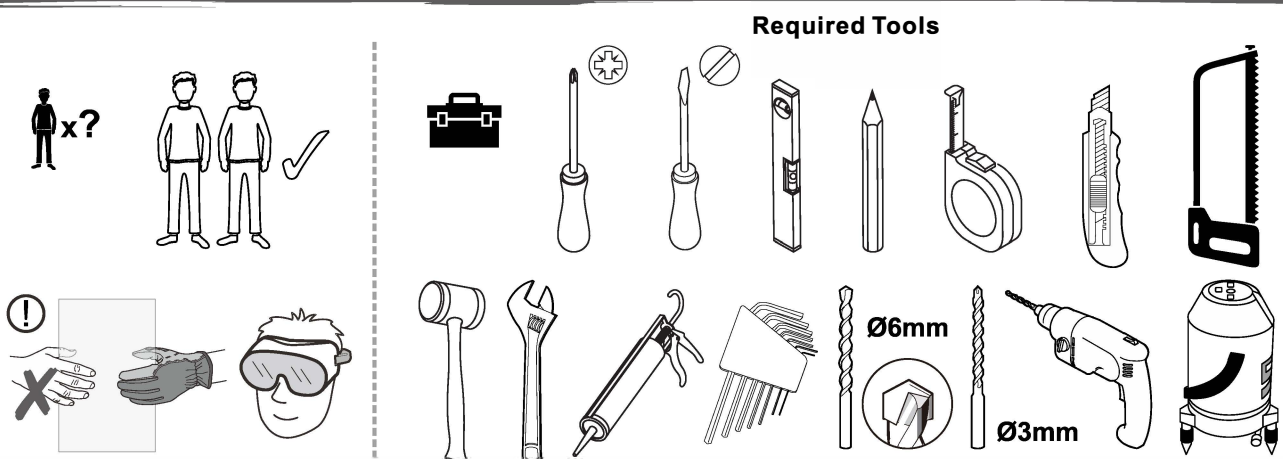
Note: This product is heavy and may require two people to install.

Aftercare instructions

After use, your shower should be cleaned with soap and water. This is particularly important in hard water districts where insoluble lime salts may be deposited and allowed to build up. Cleaners of a gritty or abrasive nature should not be used. Care should be taken to avoid contact with strong chemicals such as organic solvents and strippers.

Glass cleaners can be used but with caution, if in doubt contact the manufacturer of the cleaner in question.

Please keep these instructions for aftercare and customer service details.



1. Tools and Materials Required:

- Prepare the necessary tools, including a level, drill, screwdriver, measuring tape, safety glasses, and a rubber mallet. You will also need silicone sealant and painter's tape for final sealing.

- Check your shower area to ensure it is level and square. If there are any uneven surfaces, they may need to be corrected before proceeding.

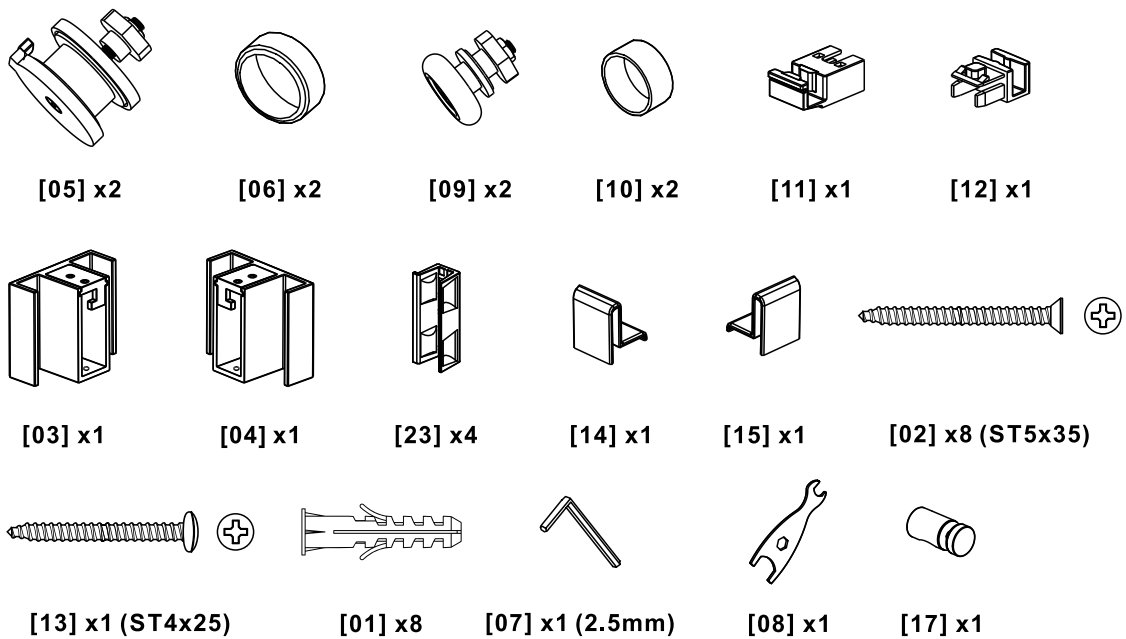
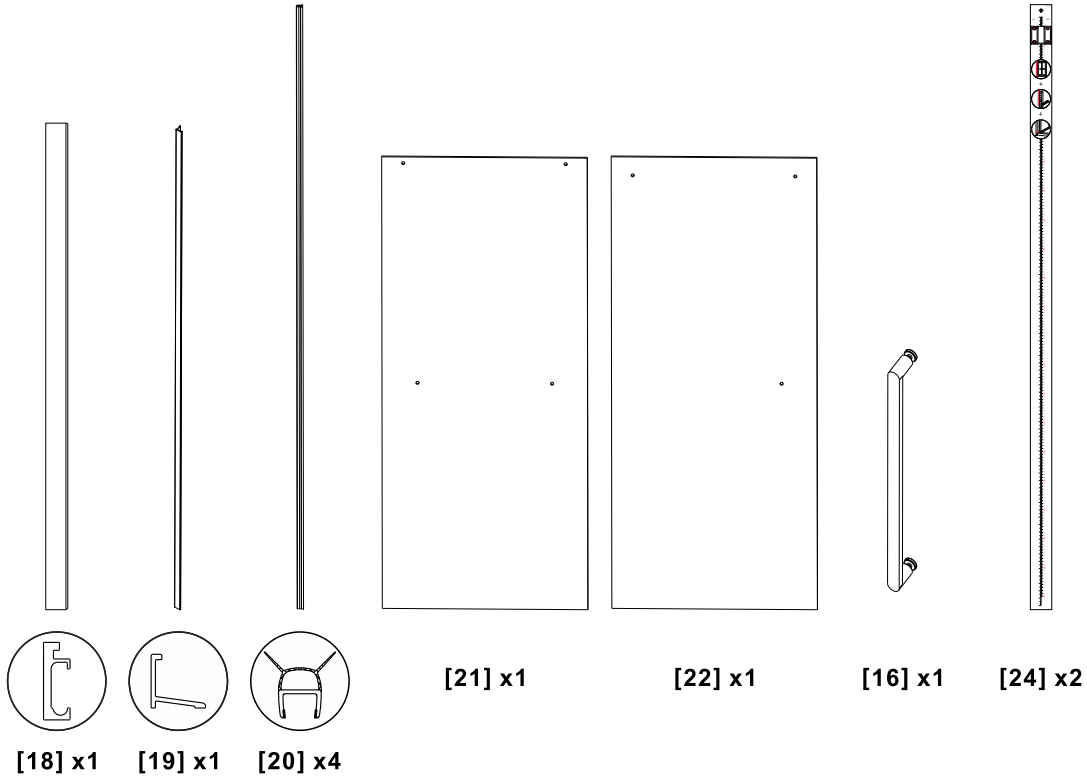


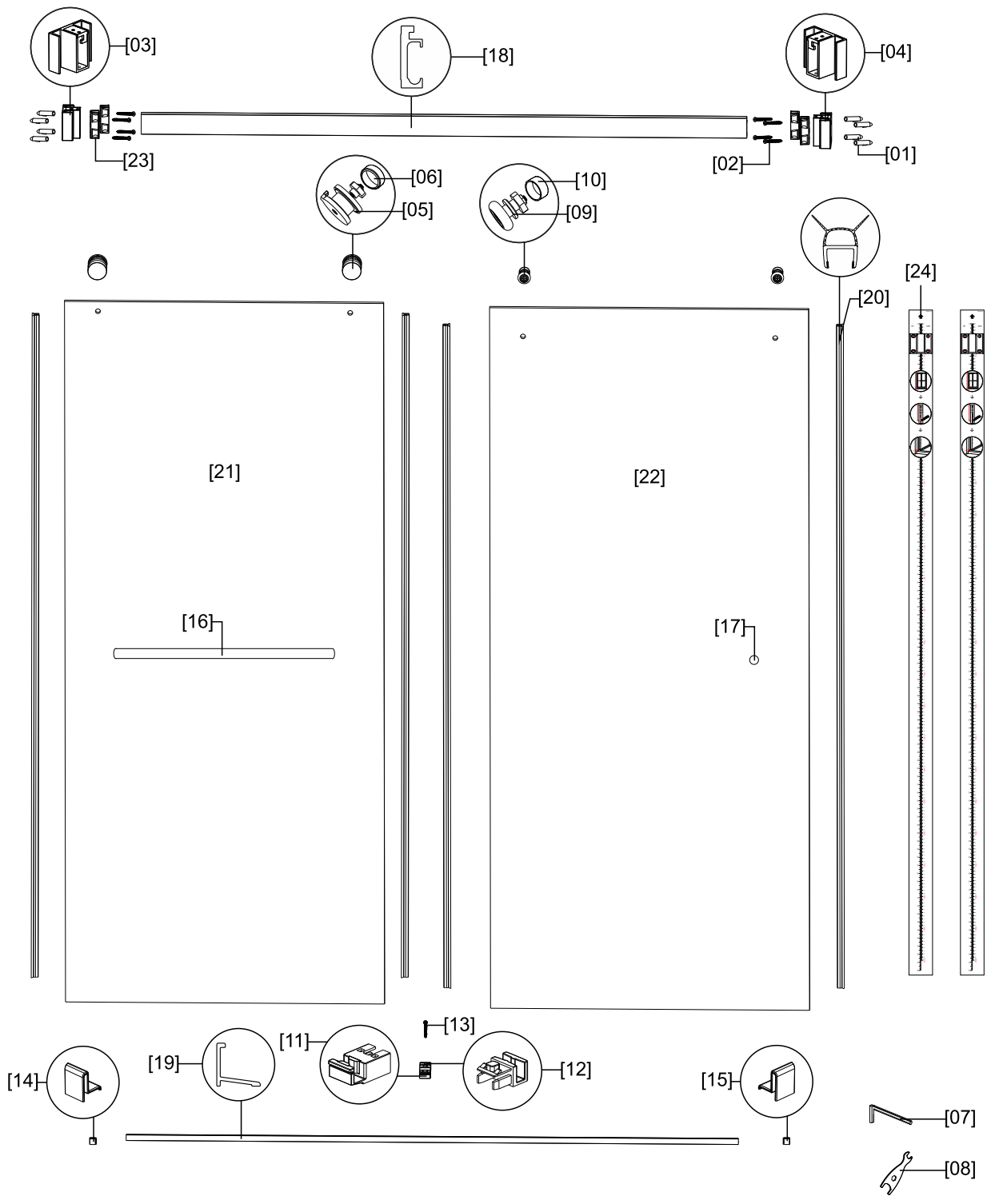
2. Unpacking the Shower Door Kit:

- Carefully remove all components from the packaging. Lay out all parts and ensure that you have all the items listed in the installation guide. Handle glass panels with care to prevent damage.
- Verify that the glass doors are free from any scratches or imperfections before starting the installation.
- If anything is missing or damaged, please contact us and we will help you.

3. Safety Precautions:

- This product is heavy and may require two people to install.
- Always wear safety glasses when drilling or handling glass.
- Ensure the installation area is clean and free of debris to prevent accidents.
- If installing over a bathtub, be cautious of the edges and surfaces to avoid chipping or cracking the enamel.

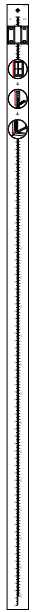






01

Determine Desired Height
Prepare to install the auxiliary parts [24] and the wall glue particles [01]

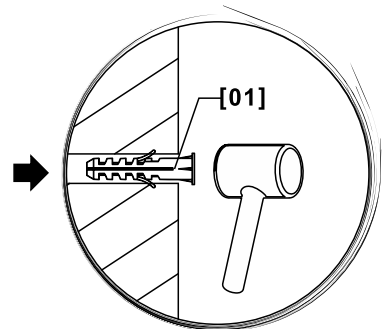
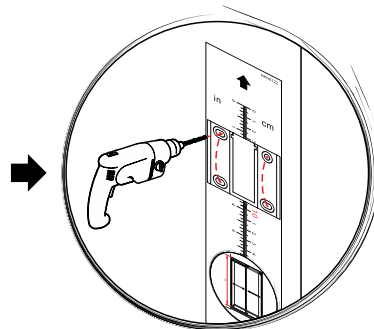
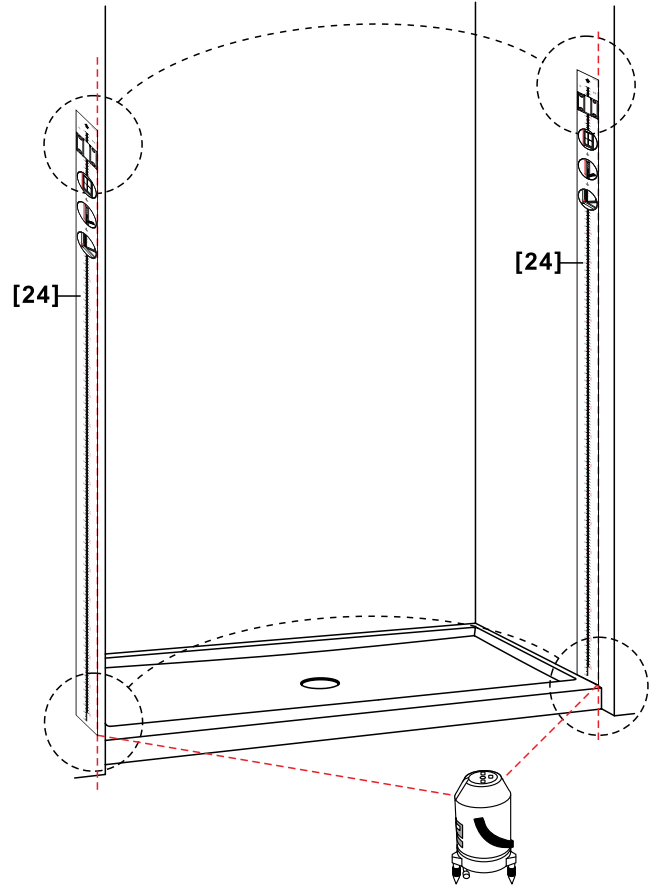
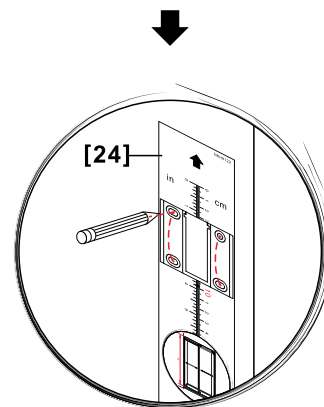
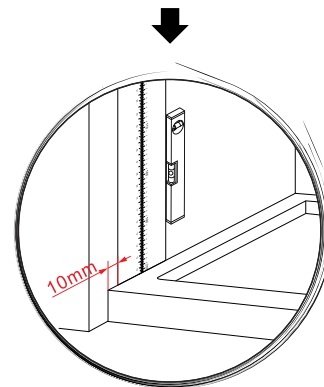
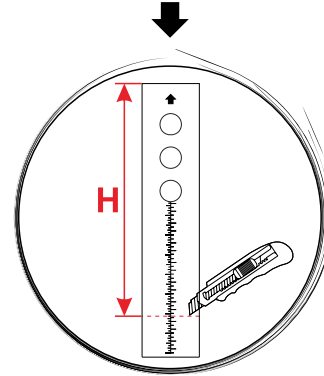
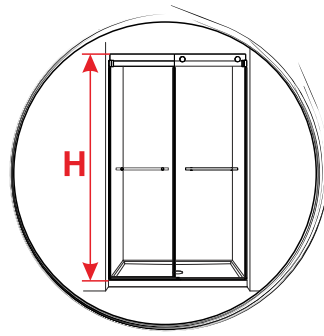


[24] x2



[01] x8

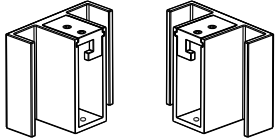
1. As shown in the figure, first use the installation auxiliary part [24] to determine the required height, and then cut the length of the installation auxiliary part; then place the installation auxiliary tool at a position 10mm from the edge, keep it vertical, and mark the drilling position with a pencil. Before continuing to drill, carefully check the calibration.
2. Drill holes and insert the wall glue particles [01].



02

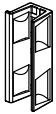
Install Wall Connector

Prepare parts [03], [04], [23], [02]



[03] x1

[04] x1

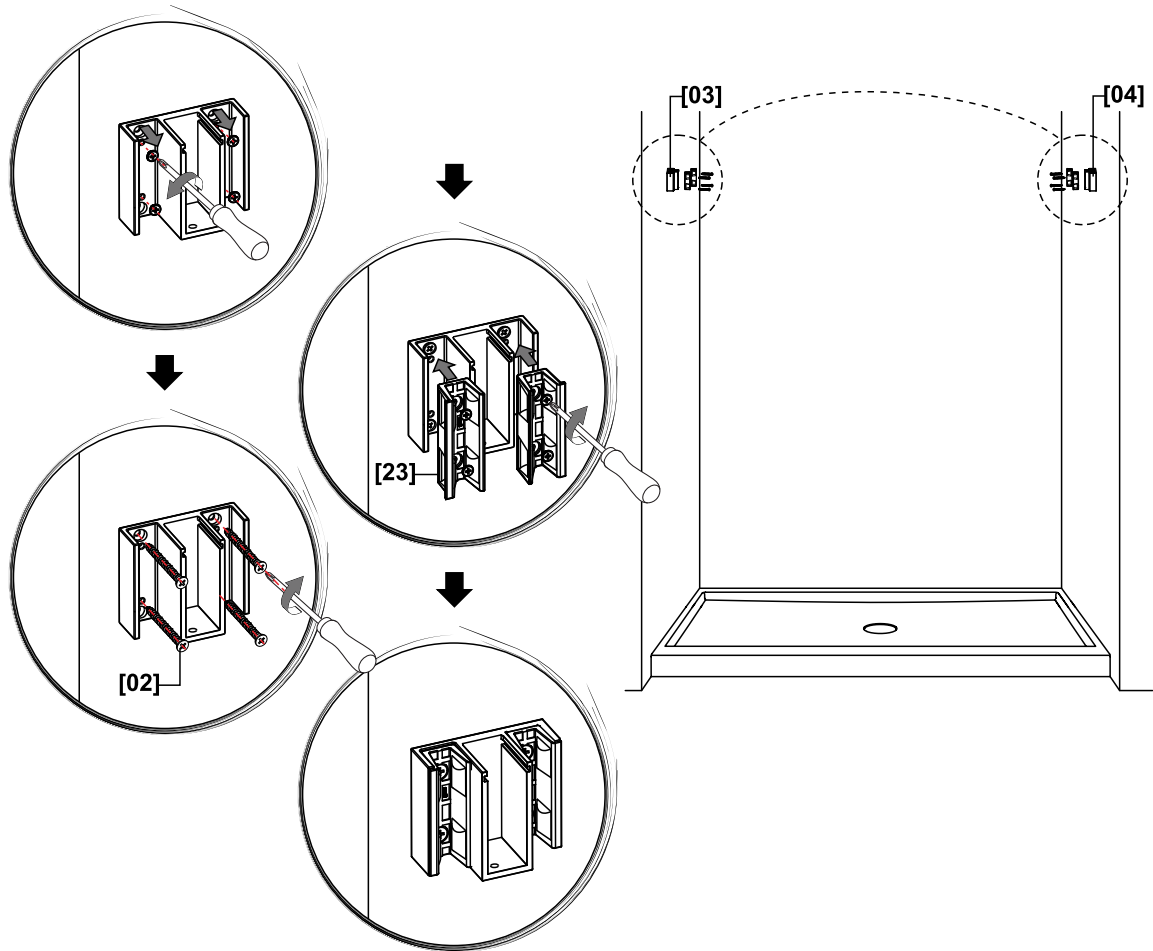


[23] x4



[02] x8 (ST5x35)

1. Align the wall post, and install the wall connector according to the direction of the arrow shown in the diagram.



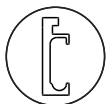
03

Install Track

Prepare parts [18] and [07]

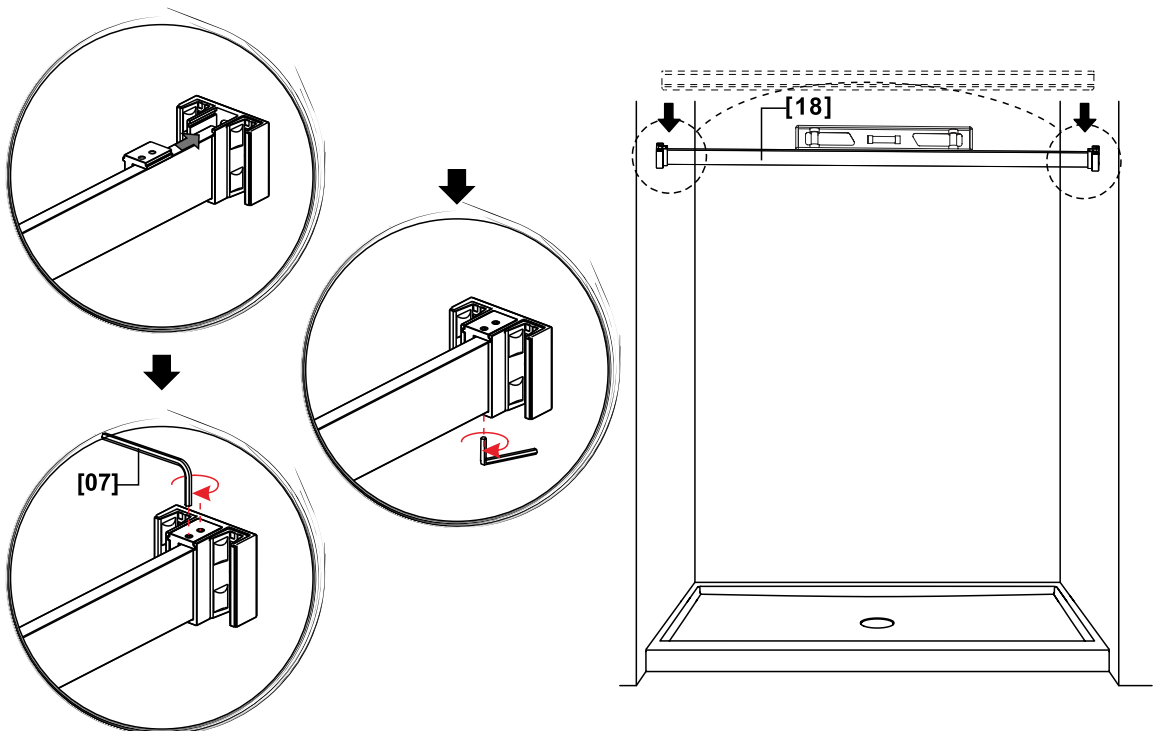


[07] x1 (2.5mm)



[18] x1

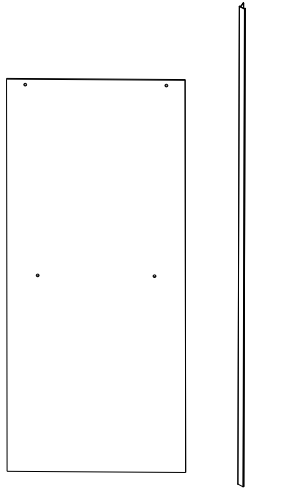
1. As shown in the diagram, install the track and tighten the set screws on the wall connector.



04

Install Outer Glass Door and Rollers

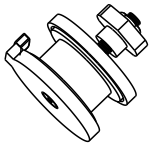
Prepare parts [21], [19], [05], [11], [08]



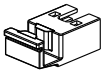
[21] x1



[19] x1



[05] x2

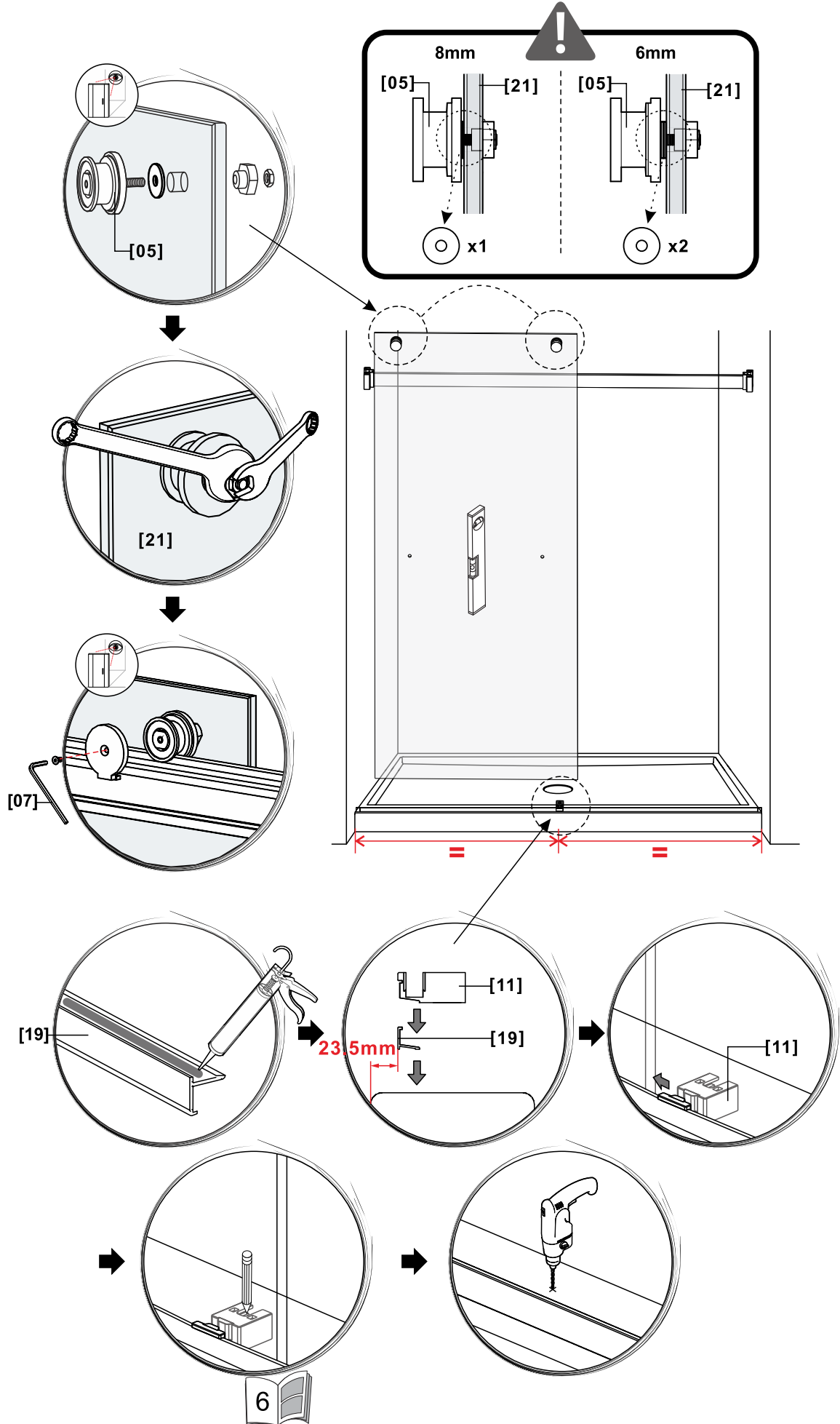


[11] x1



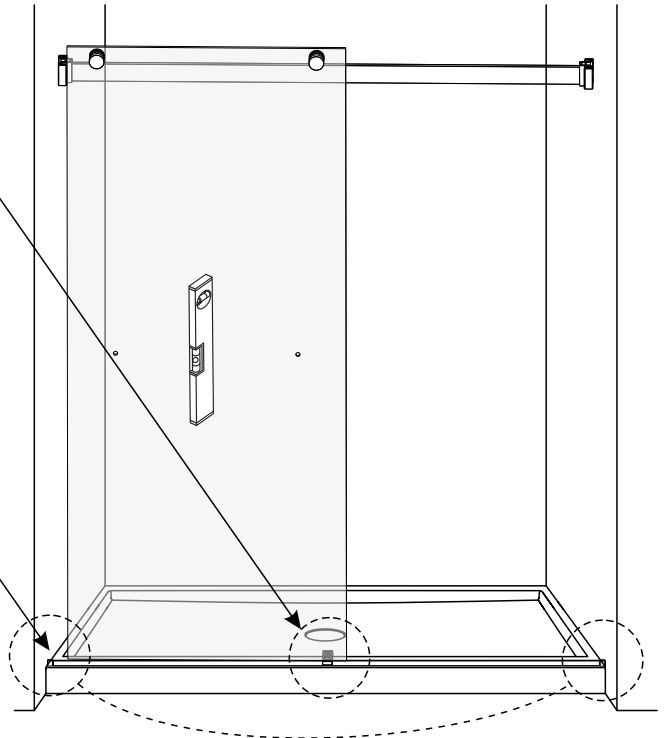
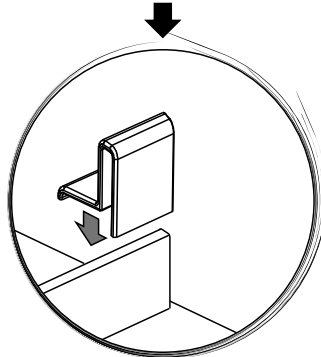
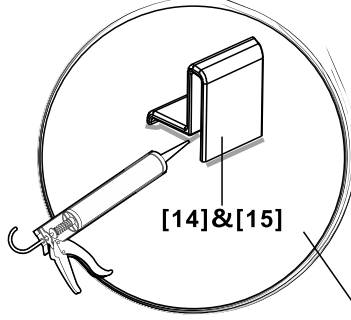
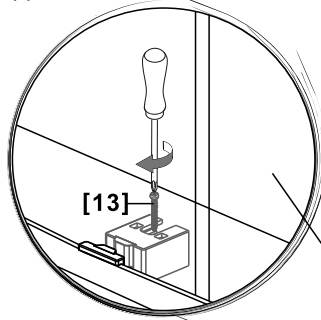
[08] x1

1. First, install the bottom aluminum profile [19] at a distance of 23.5mm from the edge, center the bottom slider [11] on the bottom aluminum profile [19], mark the hole positions, and drill holes.
2. Attach the rollers [05] to the top of the glass door [21]. Lift the door and hook the rollers onto the top track. Ensure the door slides smoothly, and check for any misalignment.



05

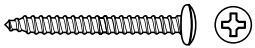
1.As shown in the diagram, tighten the screws on the bottom slider. Apply sealant to the bottom water stopper and install it on the bottom aluminum profile of the door.



Tighten Screws on Bottom Slider
Prepare parts [14], [15], [13]



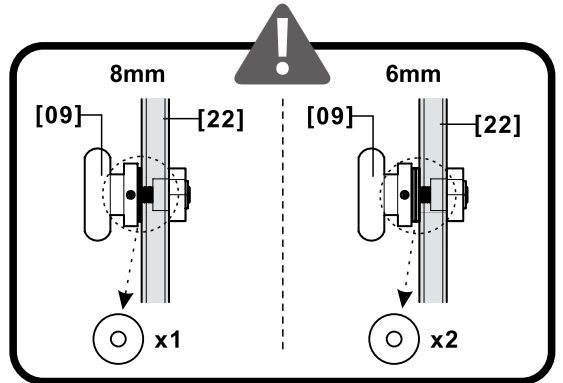
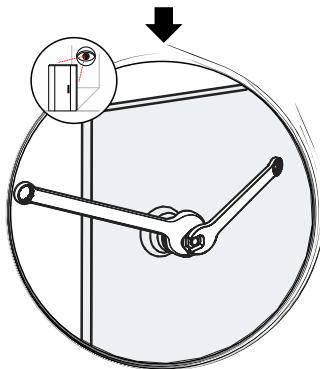
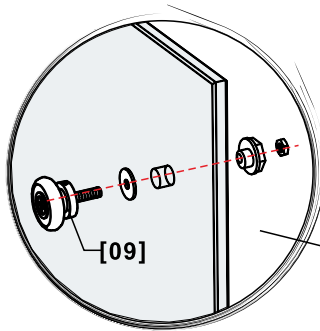
[14] x1 [15] x1



[13] x1 (ST4x25)

06

1.As shown in the diagram, install the rollers on the inner glass door.



8mm

6mm

[09]

[22]

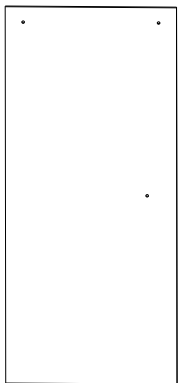
[09]

[22]

x1

x2

Install Rollers on Inner Glass Door
Prepare parts [22], [09]



[22] x1



[09] x2

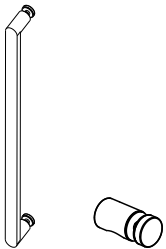
07

Install Bottom Slider and Handle

Prepare parts [12], [16], [17]



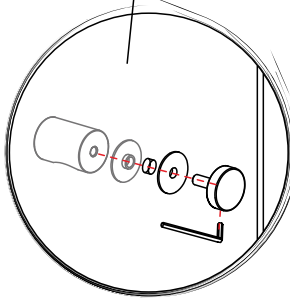
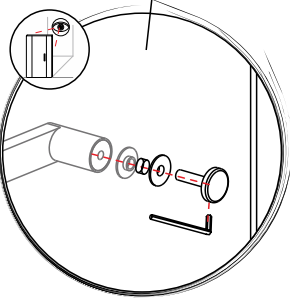
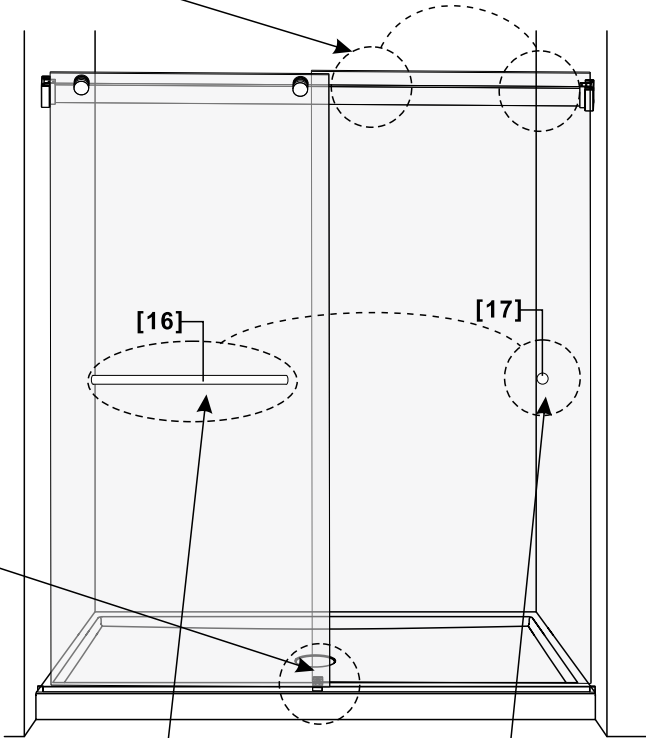
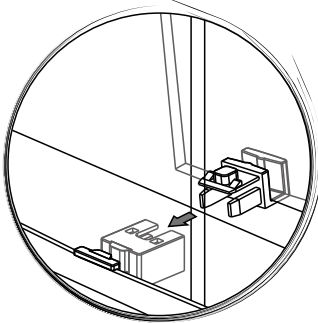
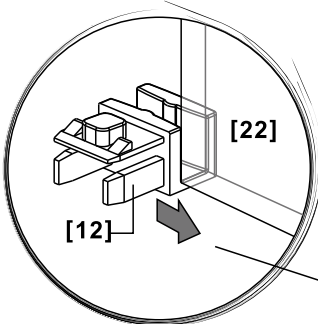
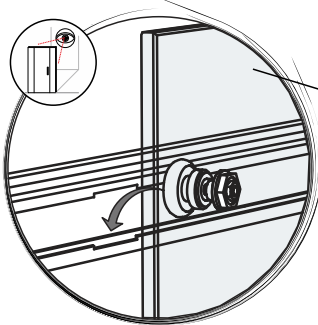
[12] x1



[16] x1 [17] x1

1.Lift the inner glass door with the rollers installed and place it into the track. Ensure the door slides smoothly and check for any misalignment.

2.Then, install the bottom slider and handle.



08

Prepare parts [20], [06], [10]



[20] x4

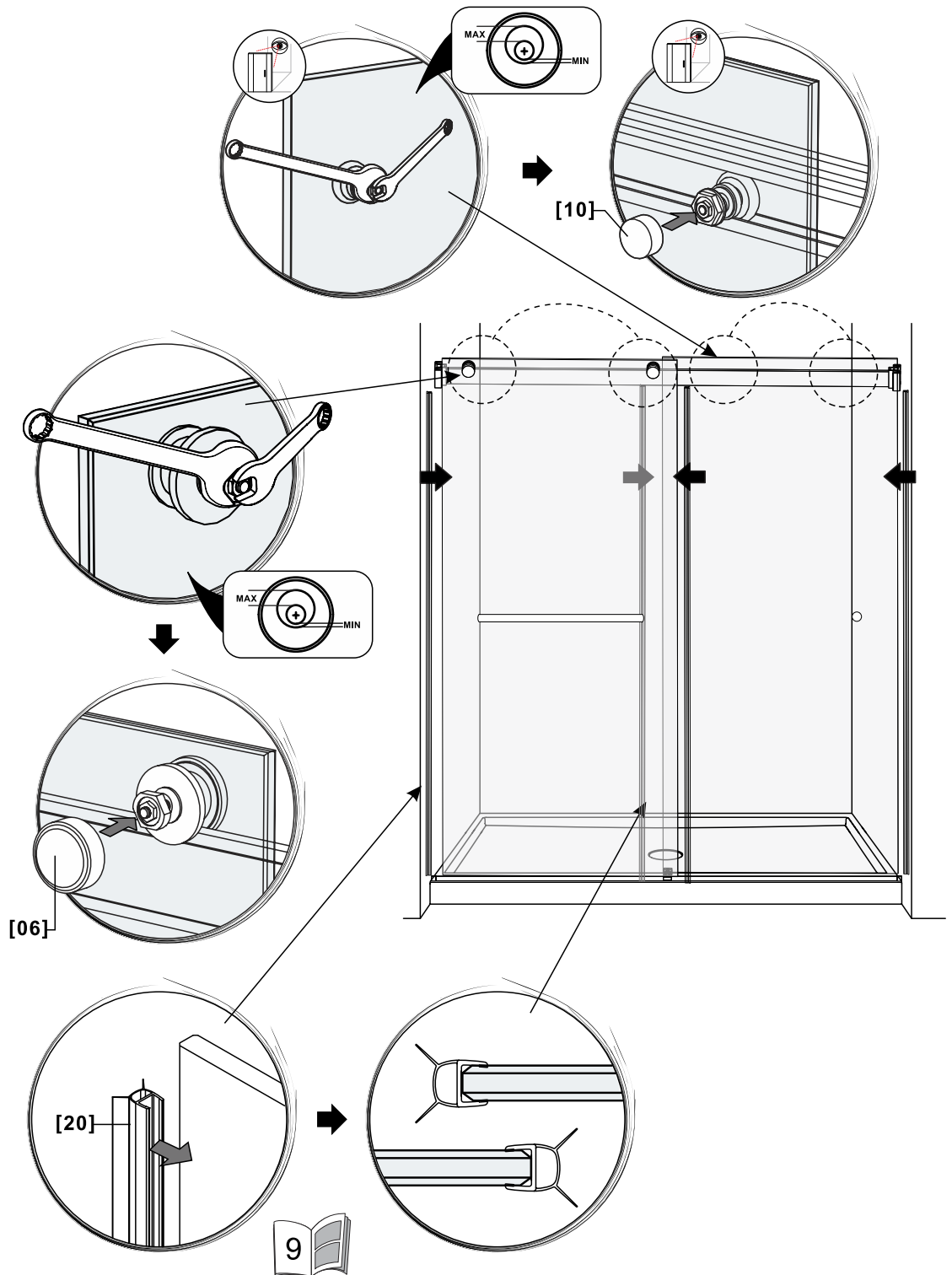
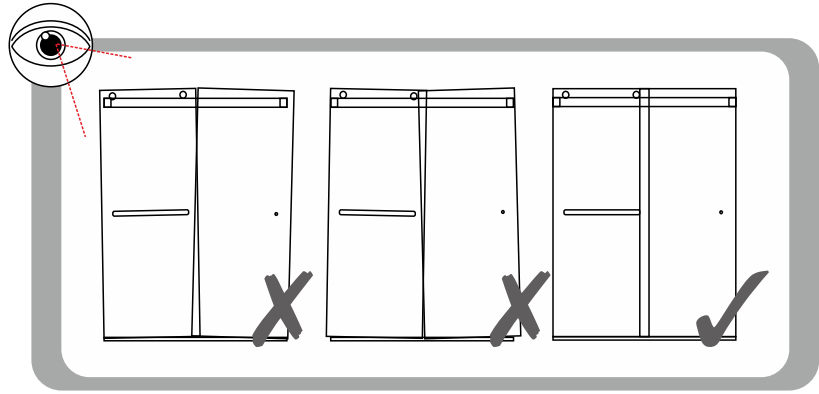


[06] x2



[10] x2

1. As shown in the diagram, visually check if the bottom glass door is vertical. If it is not vertical, use a wrench to adjust the rollers. Once the door is vertical, attach the roller covers.
2. Then, install the water-sealing strip on the glass door.



- 1.As shown in the diagram, apply silicone sealant for waterproof sealing.
- 2.Don't get wet or use it within 24 hours.

