



ASSEMBLY INSTRUCTIONS

UltraHD® Tall Storage Cabinet (Model No. 16236, 20143, 20153, 20133)

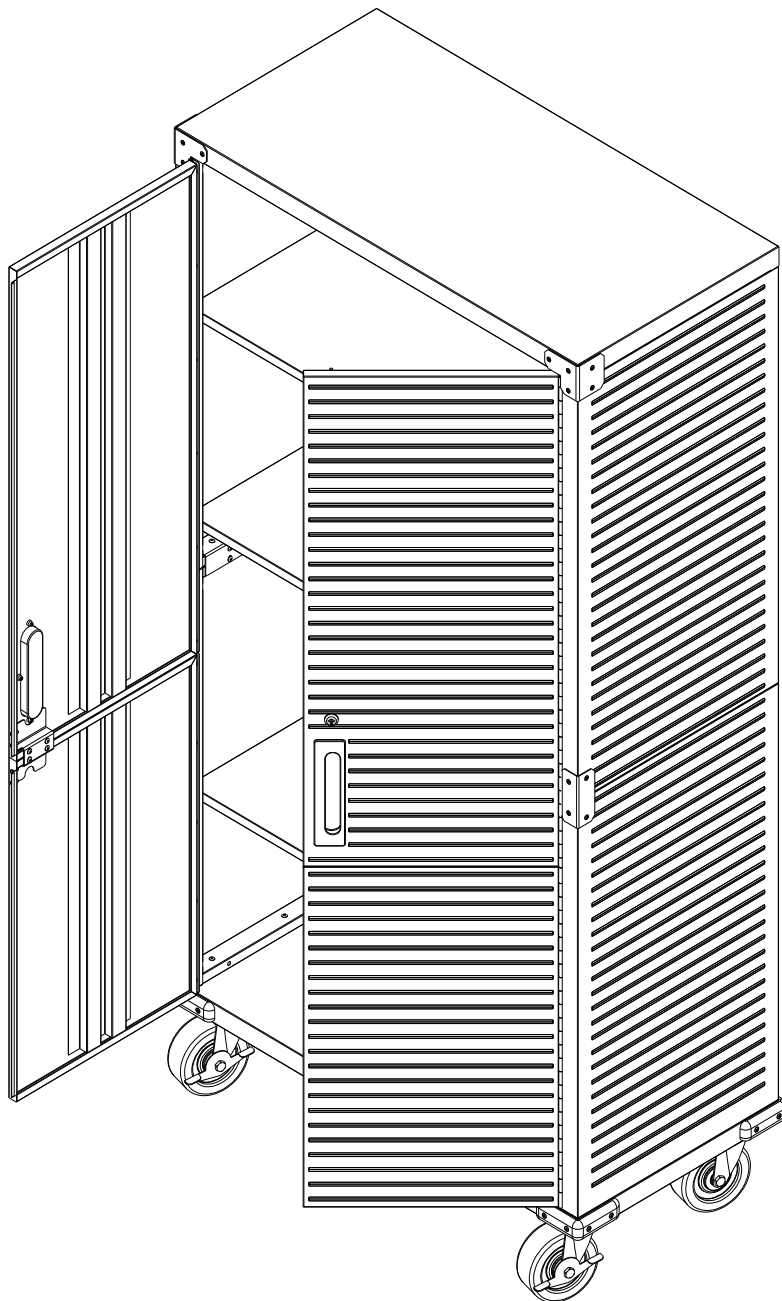
Granite Graphite Red White

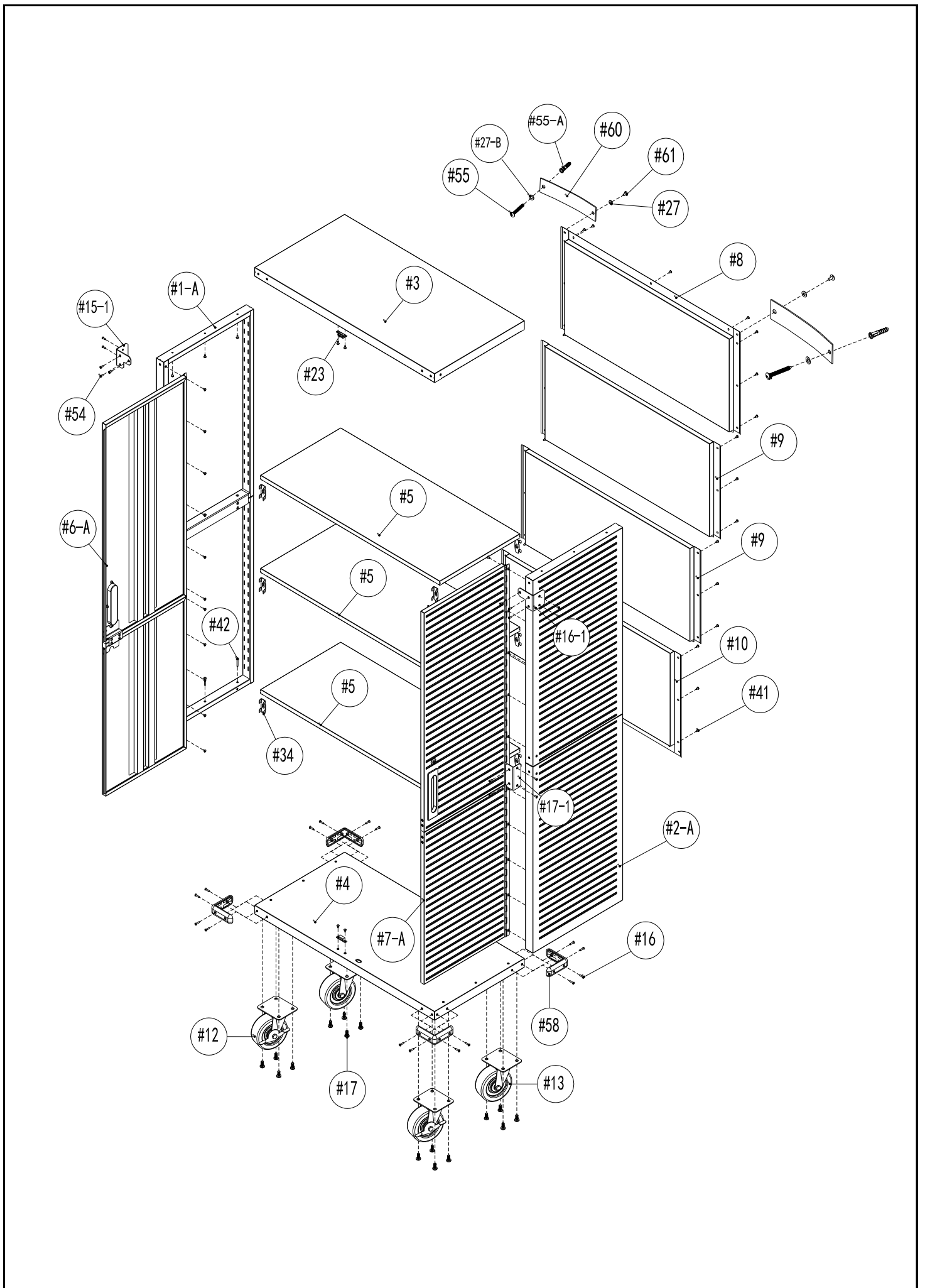
36 in. W x 18 in. x 72 in. H
(91.4 cm x 45.7 cm x 1.83 m)

ULTRAGUARD®

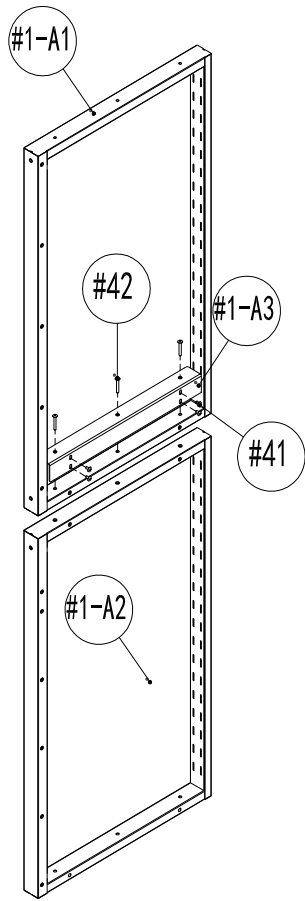
FINGERPRINT RESISTANT SURFACES
AND INCREASED DURABILITY

Reference page 12 for special care and
maintenance of stainless steel

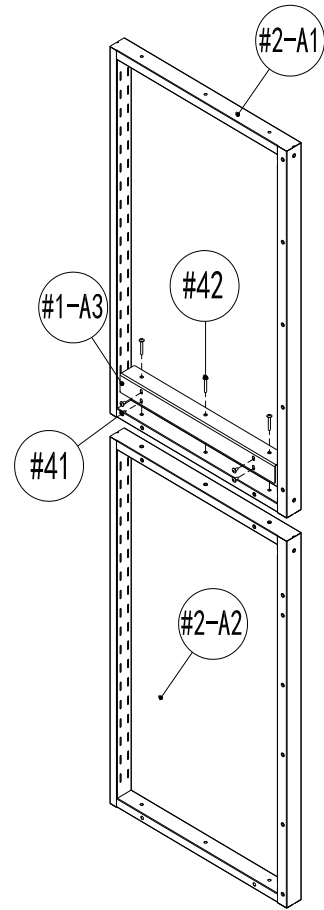




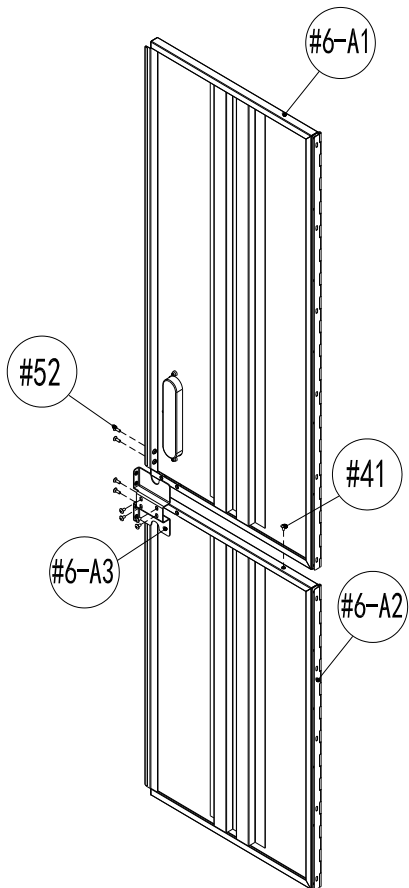
(#1-A) Left Side Panel



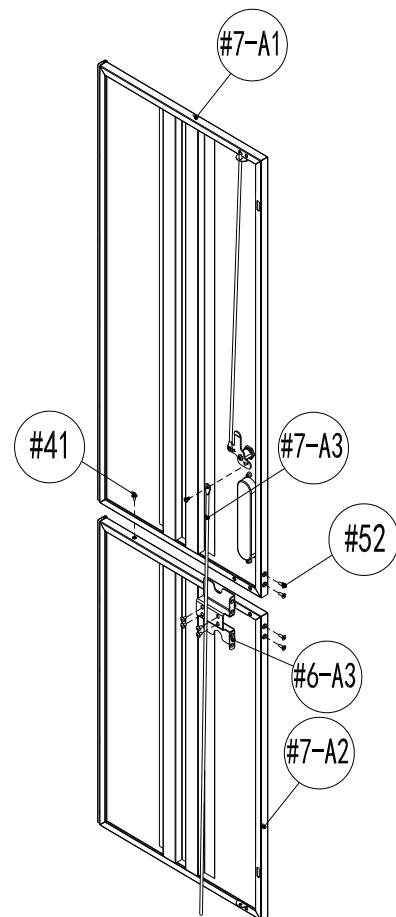
(#2-A) Right Side Panel



(#6-A) Left Door

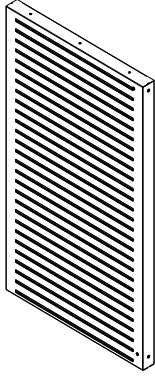


(#7-A) Right Door

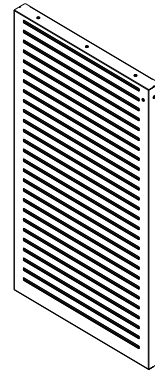


PARTS LIST

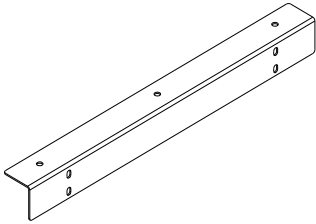
Please check the parts carefully according to the parts list. If you are missing any parts, please contact our customer service department. (Please refer to page 13)



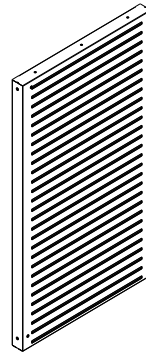
(#1-A1) Left Side - Upper Panel x 1 PC



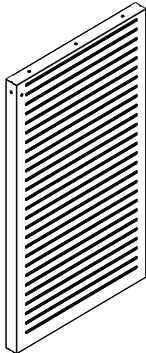
(#1-A2) Left Side - Bottom Panel x 1 PC



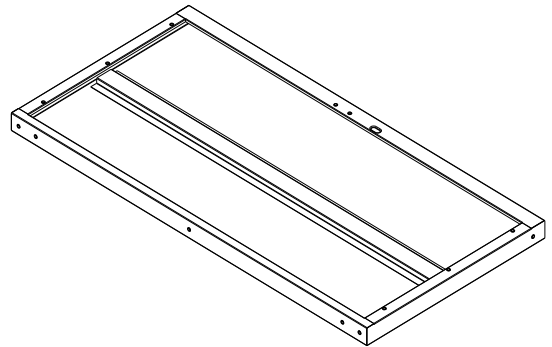
(#1-A3) Side Panel Reinforcement Connection Part x 2 PCS



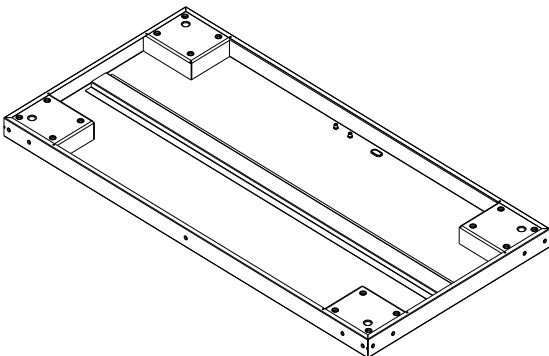
(#2-A1) Right Side - Upper Panel x 1 PC



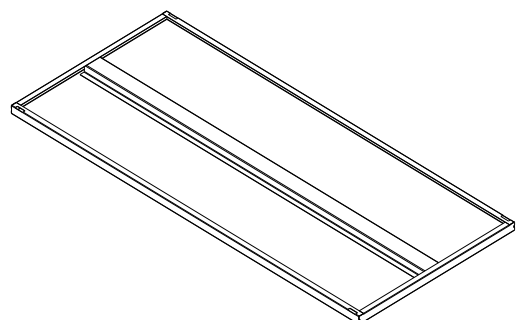
(#2-A2) Right Side - Bottom Panel x 1 PC



(#3) Top Panel x 1 PC



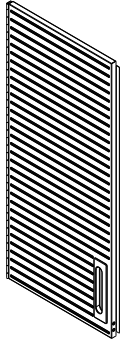
(#4) Bottom Panel x 1 PC



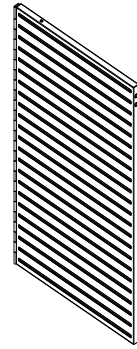
(#5) Middle Shelf x 3 PCS

PARTS LIST

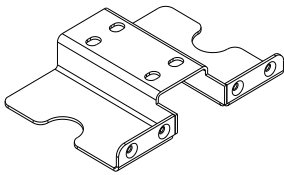
Please check the parts carefully according to the parts list. If you are missing any parts, please contact our customer service department. (Please refer to page 13)



(#6-A1) Left Door - Upper Panel x 1 PC



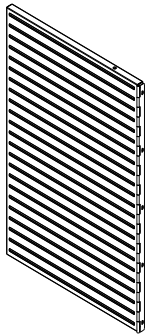
(#6-A2) Left Door - Bottom Panel x 1 PC



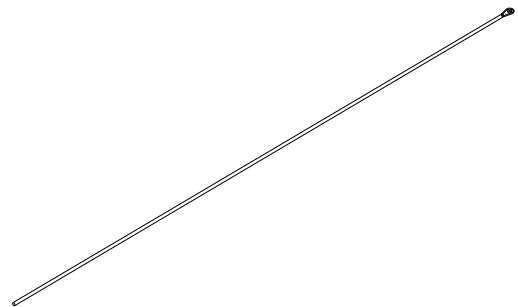
(#6-A3) Door Panel Connection Part x 2 PCS



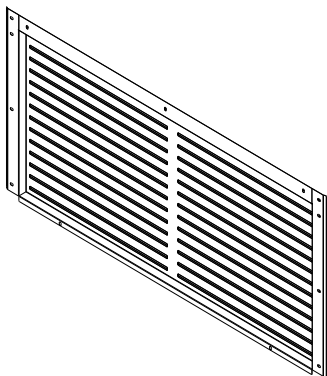
(#7-A1) Right Door - Upper Panel x 1 PC



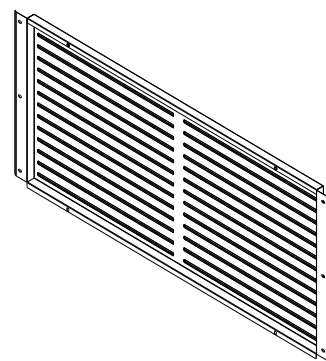
(#7-A2) Right Door - Bottom Panel x 1 PC



(#7-A3) Key Rod x 1 PC



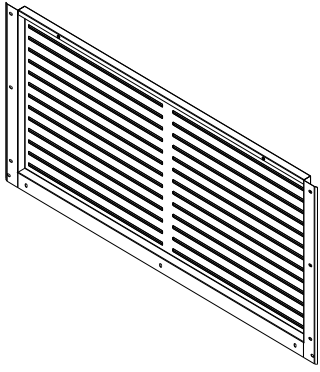
(#8) Upper Back Panel x 1 PC



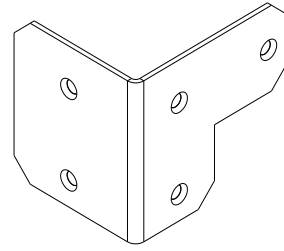
(#9) Middle Back Panel x 2 PCS

PARTS LIST

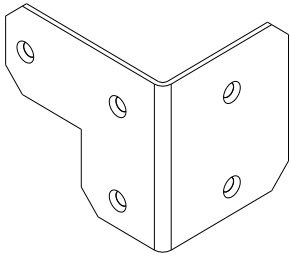
Please check the parts carefully according to the parts list. If you are missing any parts, please contact our customer service department. (Please refer to page 13)



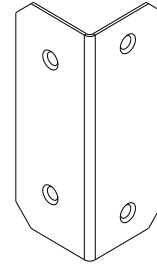
(#10) Bottom Back Panel x 1 PC



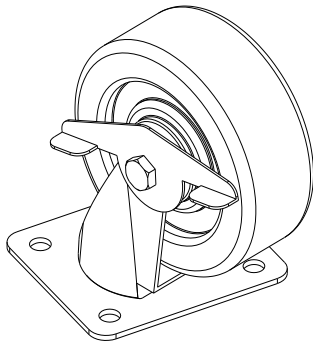
(#15-1) Corner Protection - A x 1 PC



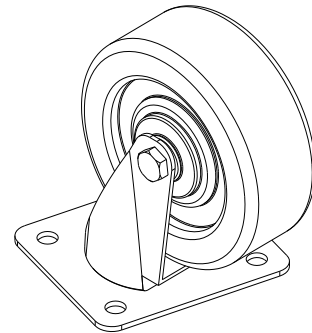
(#16-1) Corner Protection - B x 1 PC



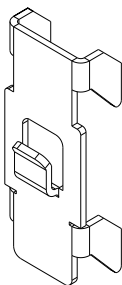
(#17-1) Middle Corner Protection x 2 PCS



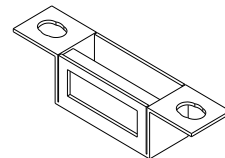
(#12) Wheel with Brake x 2 PCS



(#13) Wheel W/O Brake x 2 PCS



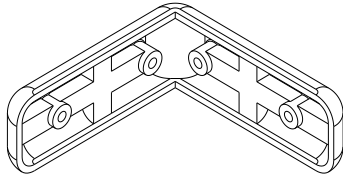
(#34) HOOK x 12 PCS



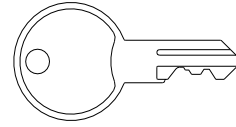
(#23) Magnet x 2 PCS

PARTS LIST

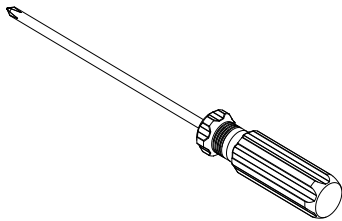
Please check the parts carefully according to the parts list. If you are missing any parts, please contact our customer service department. (Please refer to page 13)



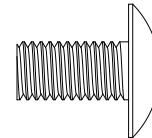
(#58) Bumper x 4 PCS



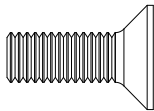
(#22) Key x 2 PCS



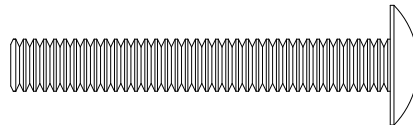
(#21) Screw Driver x 1 PC



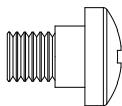
(#41) Screw F (M4 x 8L) x 86 PCS



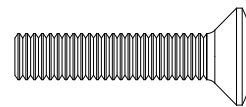
(#52) Screw K (M5 x 10L) x 8 PCS



(#42) Screw G (M4 x 30L) x 12 PCS



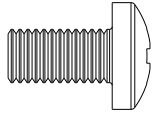
(#53) Screw L (M4 x 6L) x 1 PC



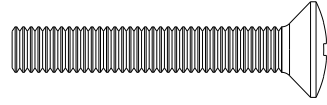
(#54) Screw N (M4 x 10L) x 18 PCS

PARTS LIST

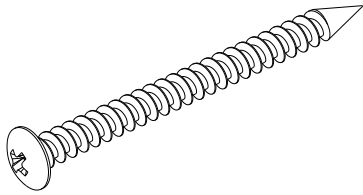
Please check the parts carefully according to the parts list. If you are missing any parts, please contact our customer service department. (Please refer to page 13)



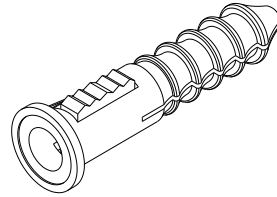
(#17) Screw D (M8x18L) x 16 PCS



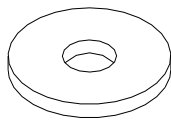
(#16) Screw C (M4x18L) x 16 PCS



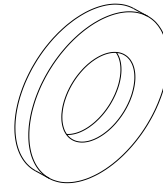
(#55) Screw M (M6 x 50L) x 2 PCS



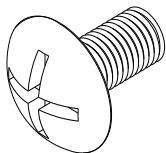
(#55-A) Wall Anchor x 2 PCS



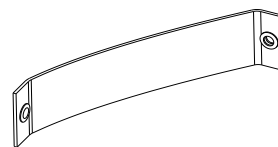
(#27) WASHER (M4) x 2 PCS



(#27-B) WASHER (M8)x 2 PCS



(#61) Screw O (M4 x 12L) x 2 PCS

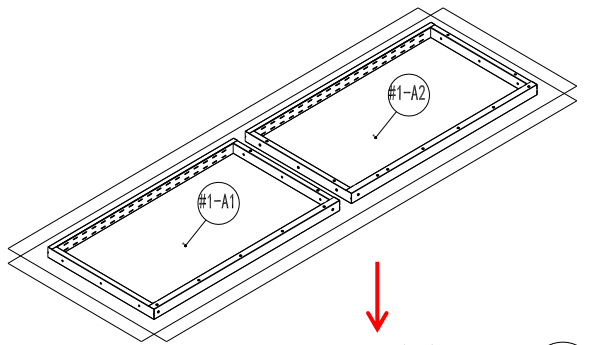


(#60) Mounting Strap x 2 PCS

UltraHD® Tall Storage Cabinet (Model No. 16236, 20143, 20153, 20133)

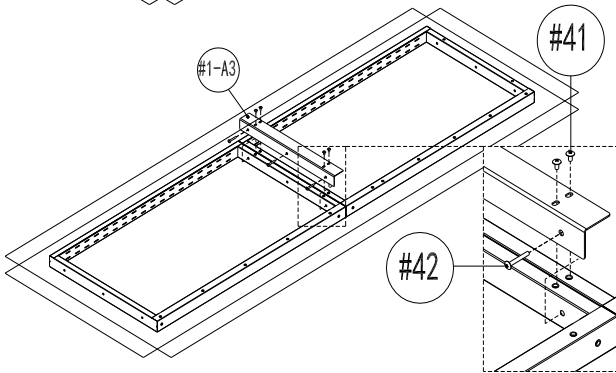


*NOTE: We recommend using TWO people to assemble the cabinet.



TIP: A magnetic screwdriver is included for your convenience. If using a power screwdriver, keep torque setting on LOW during assembly.

This package contains an updated product construction designed for easier transportation while maintaining a rigid structure. Maximum loading capacity is 600LBS.

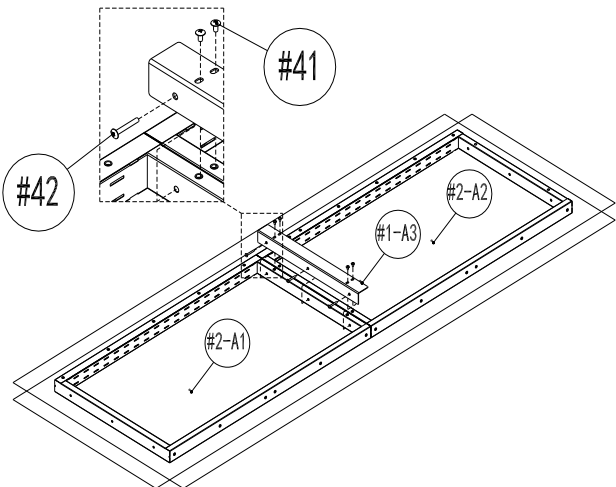


WARNING: Some parts may have sharp edges. To avoid injury, wearing gloves is recommended during assembly.

Step 1: Install (#1-A) Left Side Panel.

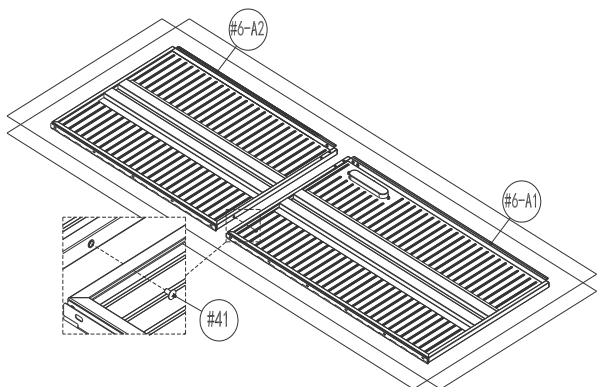
Place the (#1-A1) Left Side - Upper Panel and (#1-A2) Left Side - Bottom Panel together, place the (#1-A3) Side Panel Reinforcement Connection Part over the touching edges, line up screw holes, use 3pcs of (#42) Screw G to tighten from the side, then use 4pcs of (#41) Screw F to tighten from the top side.

Note: Make sure the (#1-A1) Left Side Upper Panel is flushed with (#1-A2) Left Side Bottom Panel.



Step 2: Install (#2-A) Right Side Panel.

Repeat **Step 1**, use (#2-A1) Right Side Upper Panel, (#2-A2) Right Side Bottom Panel, (#1-A3) Side Panel Reinforcement Connection Part 3pcs (#42) Screw G to tighten from the side, then use 4pcs (#41) Screw F to tighten from the top side.

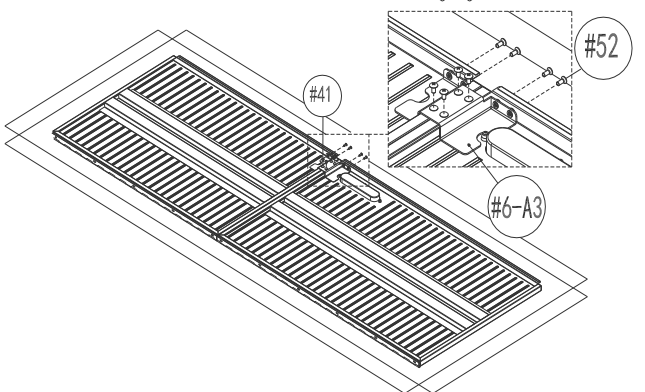


Step 3: Install (#6-A) Left Door.

1). Place (#6-A1) Left Door - Upper Panel and (#6-A2) Left Door - Bottom Panel together, line up screw holes, use 1pc (#41) Screw F to tighten from the side.

2). Place the (#6-A3) Door Panel Connection Part over the touching sides, line up the screw holes, use 4pcs (#41) Screw F to tighten from the top, and use 4pcs (#52) Screw K to tighten from outside edge.

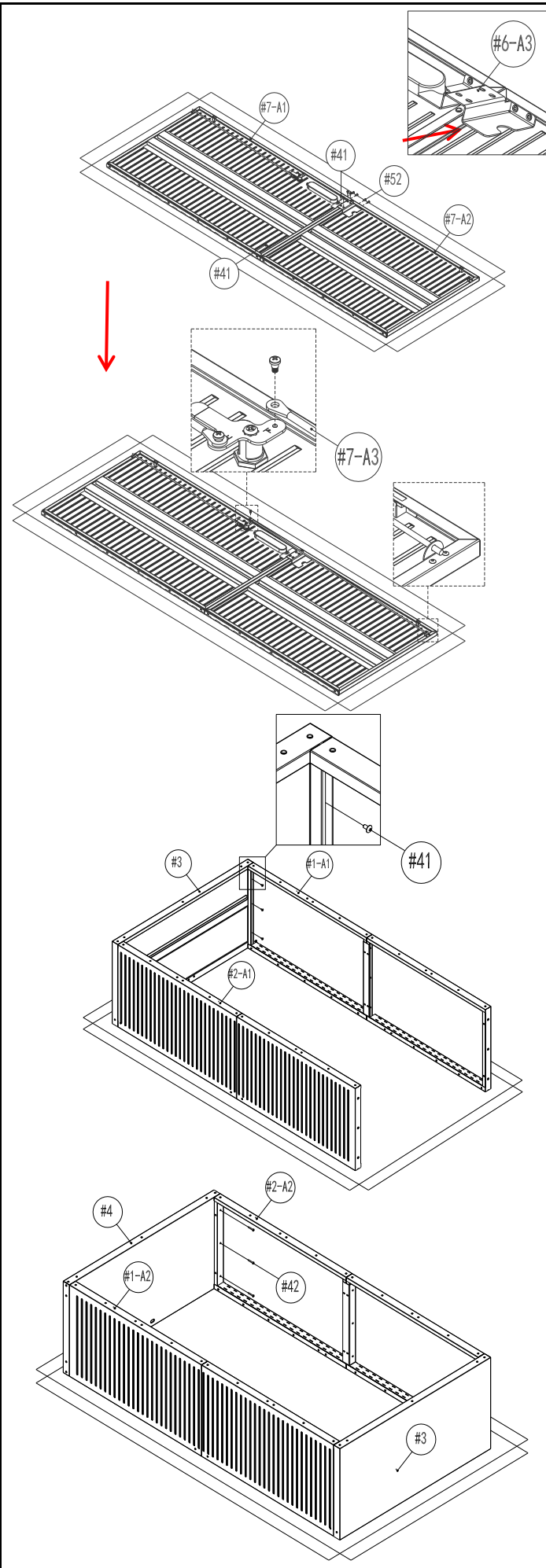
Note: Make sure the (#6-A1) Left Door - Upper Panel is flushed with (#6-A2) Left Door - Bottom Panel.



UltraHD® Tall Storage Cabinet (Model No. 16236, 20143, 20153, 20133)



*NOTE: We recommend using TWO people to assemble the cabinet.



Step 4: Install (#7-A) Right Door.

Repeat **Step 3**, use (#7-A1) Right Door - Upper Panel, (#7-A2) Right Door - Bottom Panel, (#6-A3) Door Panel Connection Part, use 1pc (#41) Screw F to tighten the touching sides, use 4pcs (#41) Screw F to tighten from the top touching side, and 4pcs (#52) Screw K to tighten from outside edge.

Note: Make sure the (#7-A1) Right Door - Upper Panel is flushed with (#7-A2) Right Door - Bottom Panel.

Step 5: Install (#7-A3) Key Rod.

Insert (#7-A3) Key Rod into the bottom tab hole of (#7-A2) Right Door - Bottom Panel, twist out the pre-assembled (#53) Screw L on the key rod linkage plate, attach (#7-A3) Key Rod by lining up the screw hole and tightening back in the (#53) Screw L.

Step 6: Install (#3) Top Panel to (#1-A1) Left Side Upper Panel and (#2-A1) Right Side Upper Panel.

Attach (#3) Top Panel to (#1-A1) Left Side Upper Panel and (#2-A1) Right Side Upper Panel. Make sure the front of the panel faces downward. Line up screw holes, use 6pcs (#41) Screw F to tighten.

Note: Before tightening screws, make sure the bottom corners of (#1-A1, #2-A1) Left Side Upper Panels are completely flushed with the back and front corners of (#3) Top Panel.

Step 7: Install (#4) Bottom Panel to (#1-A2) Left Side Bottom Panel and (#2-A2) Right Side Bottom Panel.

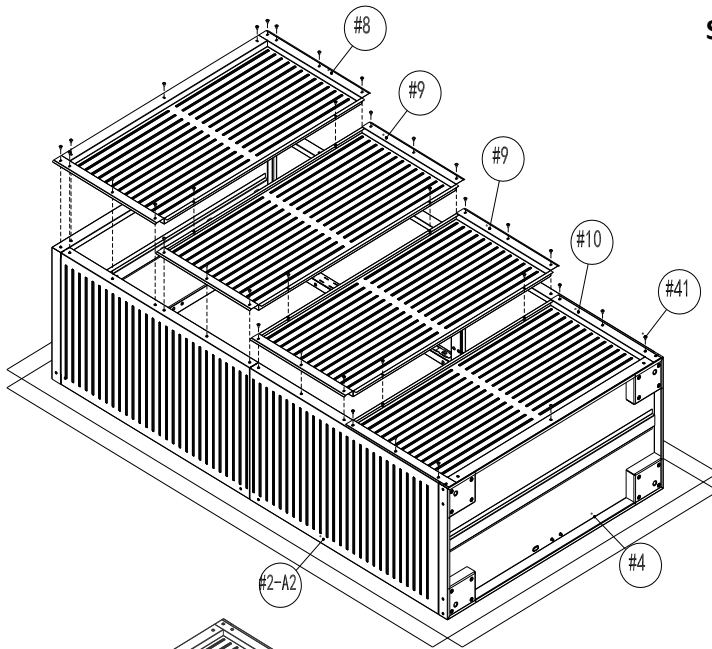
Attach (#4) Bottom Panel to (#1-A2) Left Side Bottom Panel and (#2-A2) Right Side Bottom Panel. Make sure the front of the bottom panel faces downward. Line up screw holes, use 6pcs (#42) Screw G to tighten.

Note: Before tightening screws, make sure the bottom corners of (#1-A2, #2-A2) Left Side Bottom Panel and Right Side Bottom Panels are completely flushed with the back and front corners of (#4) Bottom Panel.

UltraHD® Tall Storage Cabinet (Model No. 16236, 20143, 20153, 20133)

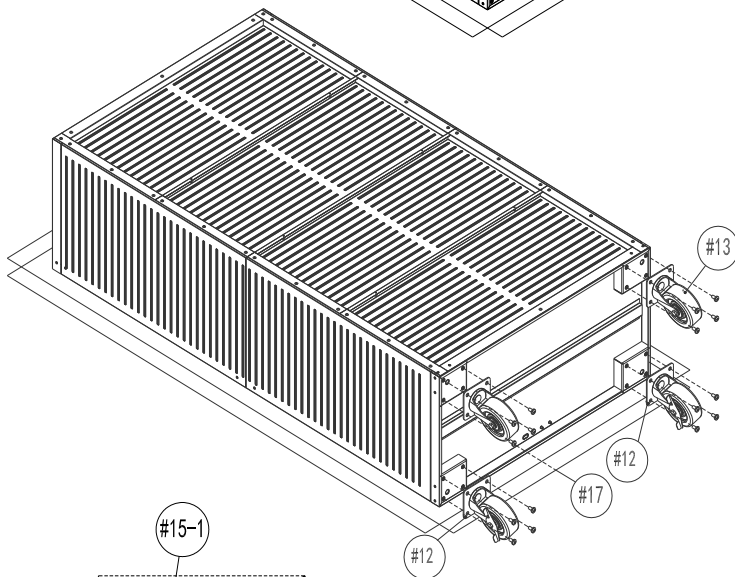


*NOTE: We recommend using TWO people to assemble the cabinet.



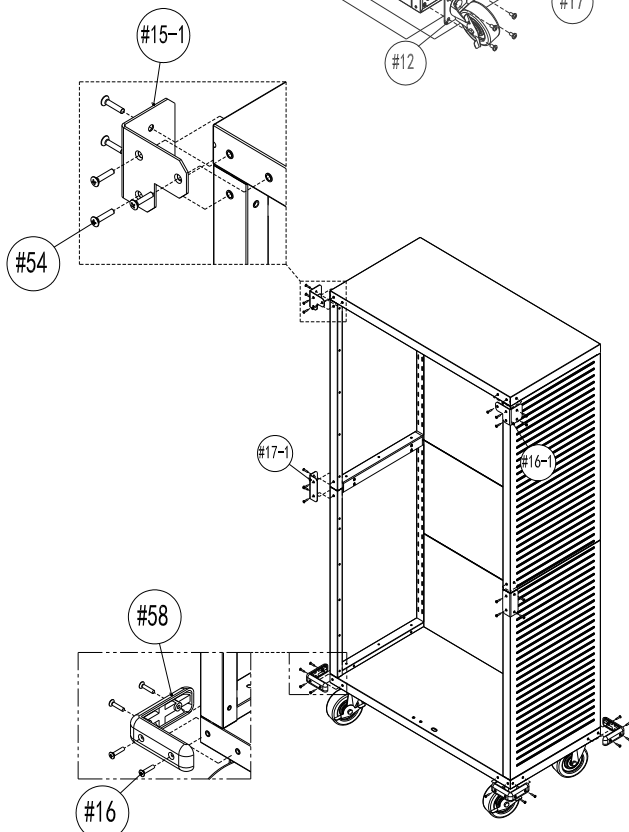
Step 8: Install (#8, #9 and #10) Back Panels.

- 1). Attach (#10) Bottom Back Panel onto both Bottom of Left and Right Side Panels (#1-A2 and #2-A2) and Bottom Panel (#4), line up screw holes, use 7pcs (#41) Screw F to tighten.
- 2). Attach both (#9) Middle Back Panel above (#10) Bottom Back Panel the same way. Place the groove of the (#9) Middle Back Panel onto the top edge of the (#10) Bottom Back Panel, use 16pcs (#41) Screw F to tighten.
- 3). Use 13pcs (#41) Screw F to install (#8) Upper Back Panel the same way.



Step 9: Install (#12 & #13) Wheels.

- Install the Wheels with Brake (#12) onto the front of the cabinet and screw the Wheels W/O Brake (#13) onto the back of the cabinet. Use 16pcs (#17) Screws D to tighten.



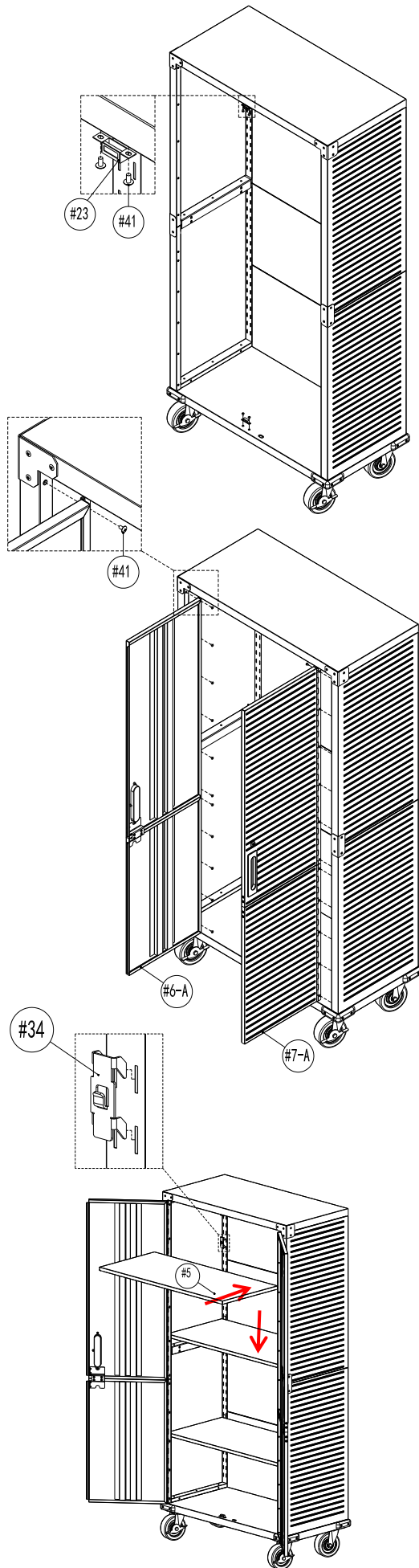
Step 10: Install (#15-1, #16-1 and #17-1) Corner Protections.

- 1). Attach (#15-1, #16-1) Corner Protection A, B onto Top of the cabinet, use 10pcs (#54) Screw N to tighten.
- 2). Attach (#17-1) Middle Corner Protection to the middle of (#1-A) Left Side Panel and (#2-A) Right Side Panel, use 8pcs (#54) Screw N to tighten.
- 3). Attach (#58) Bumper to the corner of (#4) Bottom panel, use 16pcs (#16) Screw C to tighten.

UltraHD® Tall Storage Cabinet (Model No. 16236, 20143, 20153, 20133)



*NOTE: We recommend using TWO people to assemble the cabinet.



Step 11: Install (#23) Magnet.

Place (#23) Magnet onto (#3) Top Panel and (#4) Bottom Panel facing the front, use 4pcs (#41) Screw F to tighten.

Step 12: Install (#6-A, #7-A) Left and Right Doors.

1). Attach (#6-A) Left Door to (#1-A) Left Side Panel, use 11pcs (#41) Screw F to tighten.

Note: The screw holes on the door hinge have tolerance, enabling the door to be adjusted and centered in the door frame. Place top, middle and bottom Screws first. Don't tighten screws completely - this may save time by avoiding having to make slight adjustments for leveling door panels later.

2). Install (#7-A) Right Door the same way.

Step 13: Install (#5) Middle Shelves.

1). Decide the height for the each Middle Shelf (#5). Place 1pc of (#34) Hook into the hook slot where each corner of shelf should be placed. Make sure the hooks supporting each shelf are at same height.

Note: All (#5) Middle Shelves need a hook at each corner to support it.

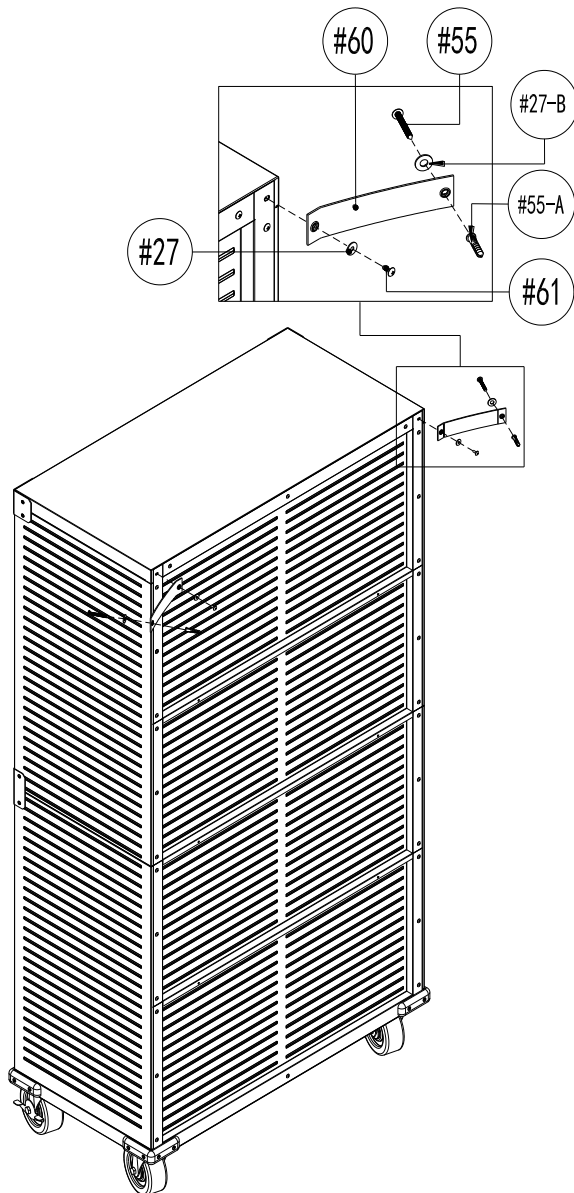
2). Place each (#5) Middle Shelf into cabinet and push down onto (#34) Hooks.

Note: 150 lbs. maximum loading for each shelf.

UltraHD® Tall Storage Cabinet (Model No. 16236, 20143, 20153, 20133)



*NOTE: We recommend using TWO people to assemble the cabinet.



Step 14: Install Mounting Strap (#60)

A. Remove 1pc Screw F (#41) from the back panel.

B. Attach the Mounting Strap (#60) to the back panel as the left photo shows using Screw O (#61) and Washer (#27).

C. Drill a hole in the wall with a 5/16" drill bit, insert the Wall Anchor (#55-A) into the hole.

D. Attach the other end of the Mounting Strap (#60) to the wall using Screw M (#55) and Washer (#27-B).

Repeat steps A through D to install the other mounting strap.

UltraHD® Stainless Steel Care Instructions

The stainless steel is protected with UltraGuard® fingerprint resistant finish.

DO NOT use traditional stainless-steel cleaners. To safely manage unwanted fingerprints and prevent new stains, perform the following steps once monthly:

- Lightly wipe with warm water and clean microfiber cloth
- Always wipe in the direction of the surface grain (NEVER ACROSS)
- Wipe away excess water with dry clean cloth

CONTACT INFORMATION

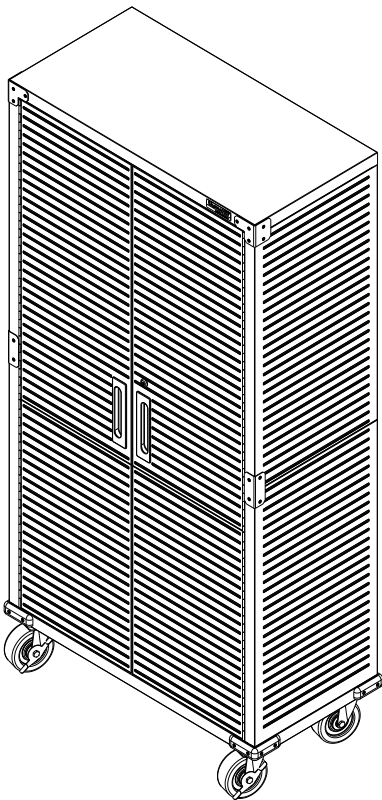
If you are missing any parts, have any questions, or need additional assistance in assembly, please contact our bilingual (English and Spanish) customer service department at:



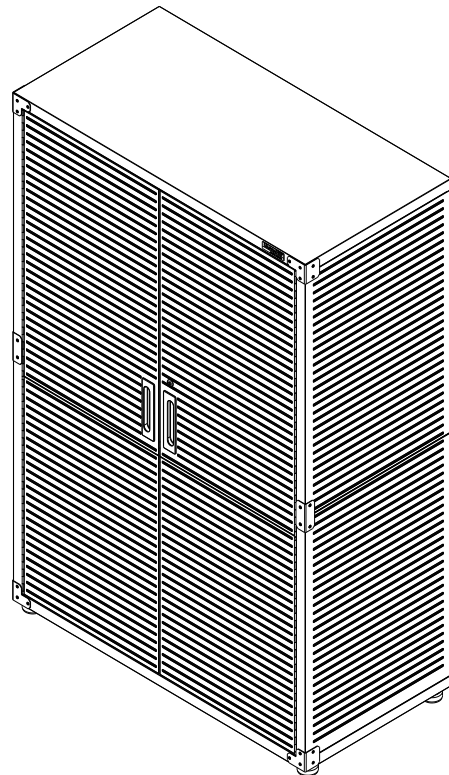
Seville Classics, Inc.
19401 Harborage Way Torrance, CA 90501 USA
Telephone: (800) 323-5565 within USA
Fax: (310) 533-3899
Hours: 9:00am - 4:30pm (Pacific Standard Time)
E-mail: support@sevilleclassics.com
Website & Online Store: www.sevilleclassics.com

*****Please visit our website or call and inquire about our additional UltraHD Line*****

UltraHD® Line

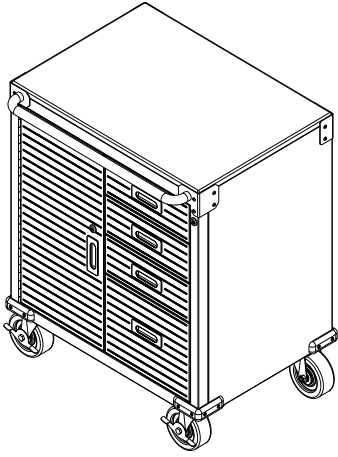


UltraHD® Tall Storage Cabinet
Model No. 16236 (Granite)
Model No. 20143 (Graphite)
Model No. 20153 (Red)
Model No. 20133 (White)

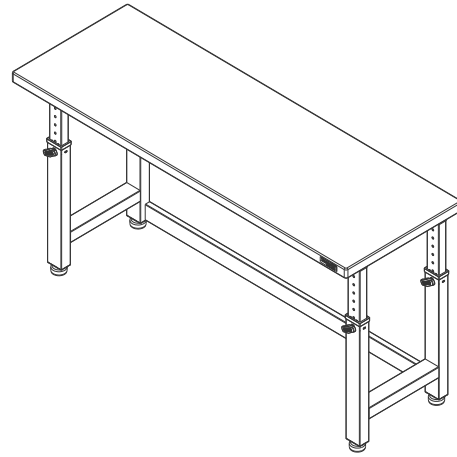


UltraHD® Mega Storage Cabinet
Model No. 16238 (Granite)
Model No. 20148 (Graphite)
Model No. 20158 (Red)

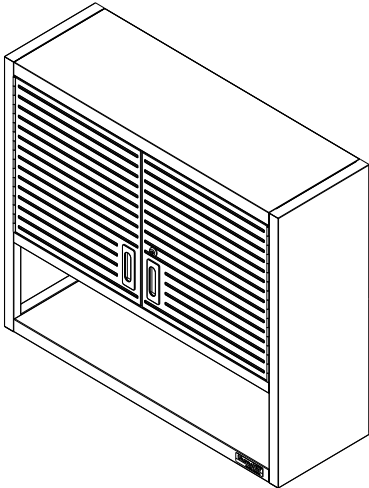
UltraHD® Line



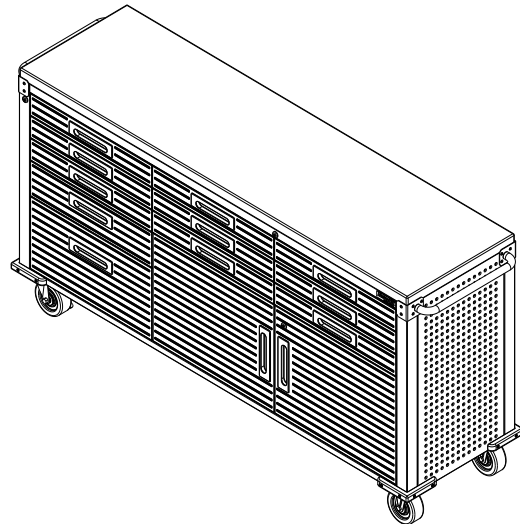
UltraHD® 4-Drawer Rolling Cabinet
Model No. 20205 (Granite)



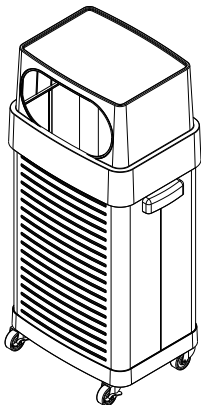
UltraHD® 6-Foot Height Adjustable Workbench
Model No. 20292 (Granite)
Model No. 20293 (Graphite)



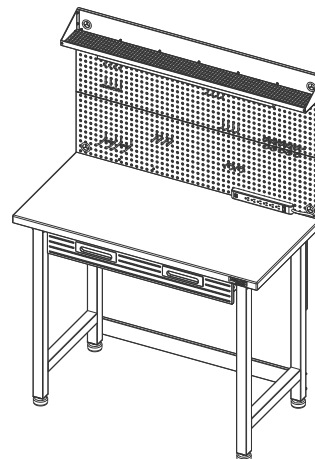
UltraHD® Wall Cabinet with Open Shelf
Model No. 20230 (Granite)
Model No. 20140 (Graphite)
Model No. 20150 (Red)



UltraHD® 2-Door Rolling Workbench
Model No. 20262 (Granite)
Model No. 20142 (Graphite)
Model No. 20152 (Red)



UltraHD® Rolling Trash Bin
Model No. 20215



UltraHD® Lighted Workcenter
Model No. 20247 (Granite)
Model No. 20246 (Graphite)
Model No. 20157 (Red)



ASSEMBLY INSTRUCTIONS

UltraHD® Cabinet Stacker

(Model No. WEB346, WEB640, UHD20153T, UHD133T)

Granite

Graphite

Red

White

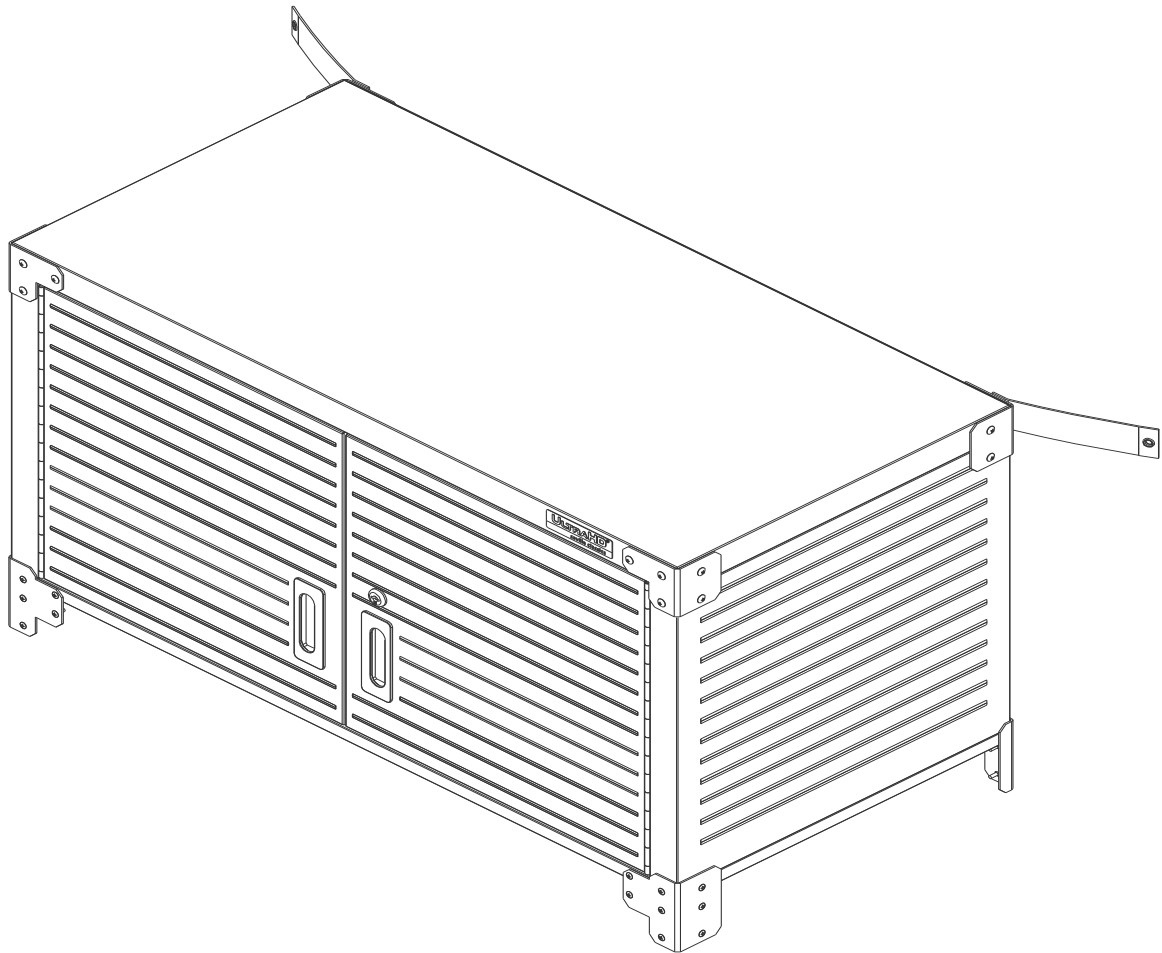
36in. W x 18in. D x 18.5in. H

(91.4cm x 45.7cm x 46.9cm H)

ULTRAGUARD®

FINGERPRINT RESISTANT SURFACES
AND INCREASED DURABILITY

Reference page 10 for special care
and maintenance of stainless steel



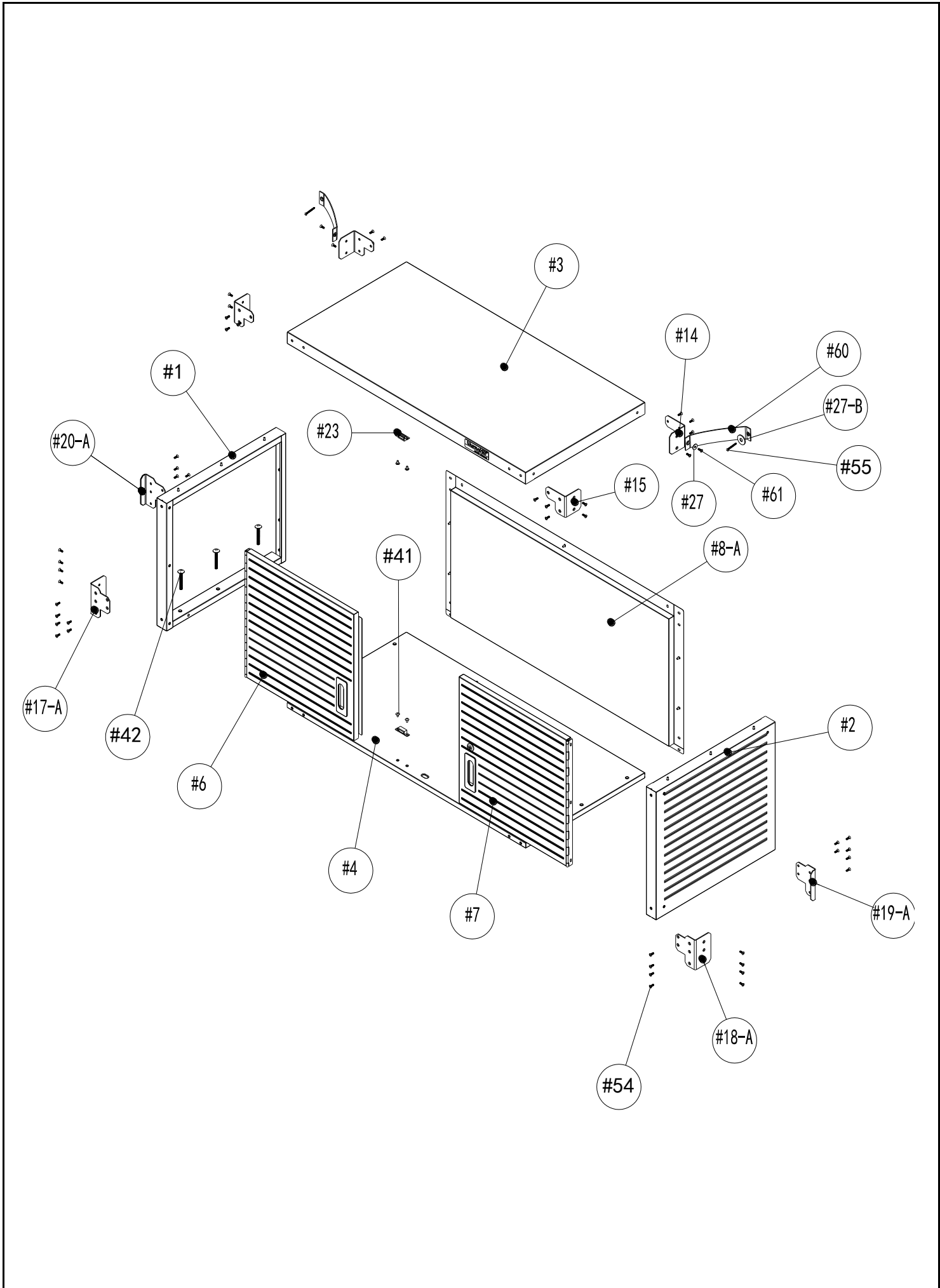
Mounts on top of UHD16236, UHD20143, UHD20153, UHD20133UltraHD Tall Cabinet

Granite

Graphite

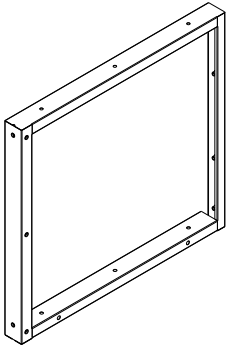
Red

White

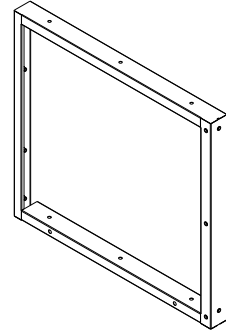


PARTS LIST

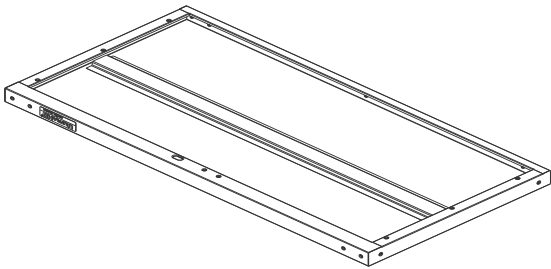
Please check the parts carefully according to the parts list. If you are missing any parts, please call our customer service department (please see page 11.)



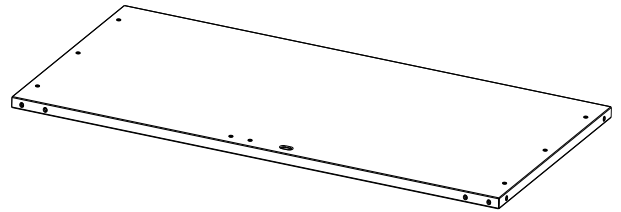
(#1) Left Panel x 1 PC



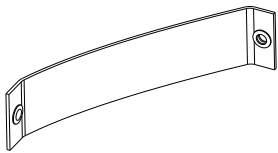
(#2) Right Panel x 1 PC



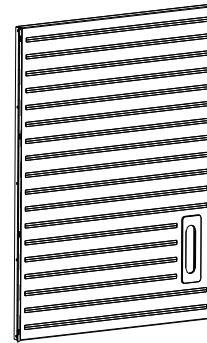
(#3) Top Panel x 1 PC



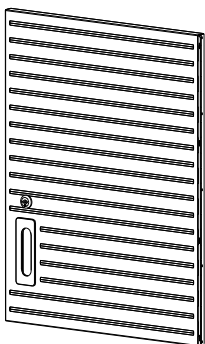
(#4) Bottom Panel x 1 PC



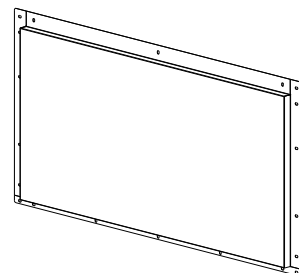
(#60) Mounting Strap x 2 PCS



(#6) Left Door x 1 PC



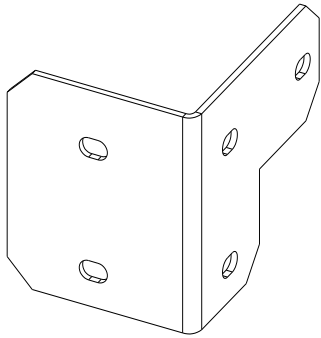
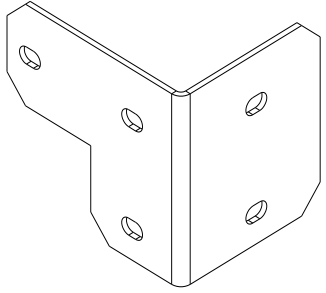
(#7) Right Door x 1 PC

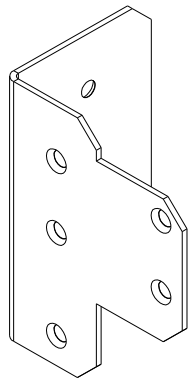
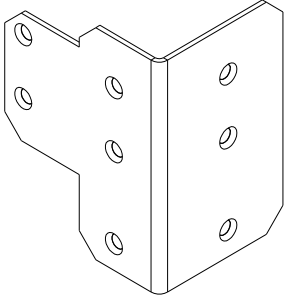


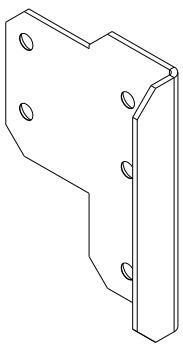
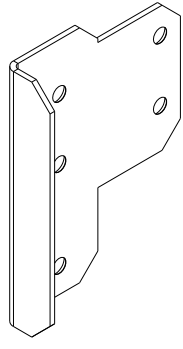
(#8-A) Back Panel x 1 PC

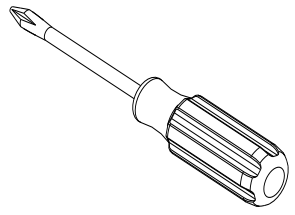
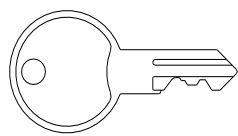
PARTS LIST

Please check the parts carefully according to the parts list. If you are missing any parts, please call our customer service department (please see page 11.)

	
<p>(#14) Corner Protection A x 2 PCS</p>	<p>(#15) Corner Protection B x 2 PCS</p>

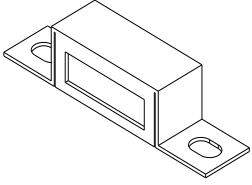
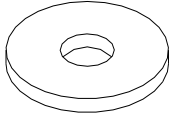
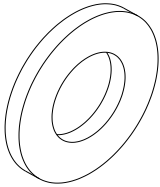
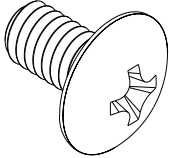
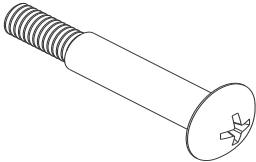
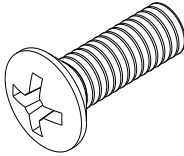
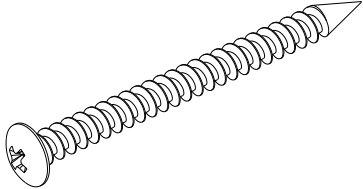
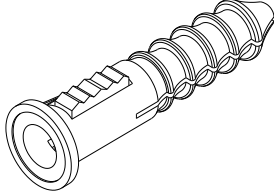
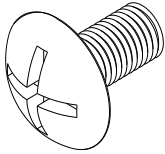
	
<p>(#17-A) Left Front Bottom Corner Protection x 1 PC</p>	<p>(#18-A) Right Front Bottom Corner Protection x 1 PC</p>

	
<p>(#19-A) Right Back Bottom Corner Protection x 1 PC</p>	<p>(#20-A) Left Back Bottom Corner Protection x 1 PC</p>

	
<p>(#21) Screw Driver x 1 PC</p>	<p>(#22) KEY x 2 PCS</p>

PARTS LIST

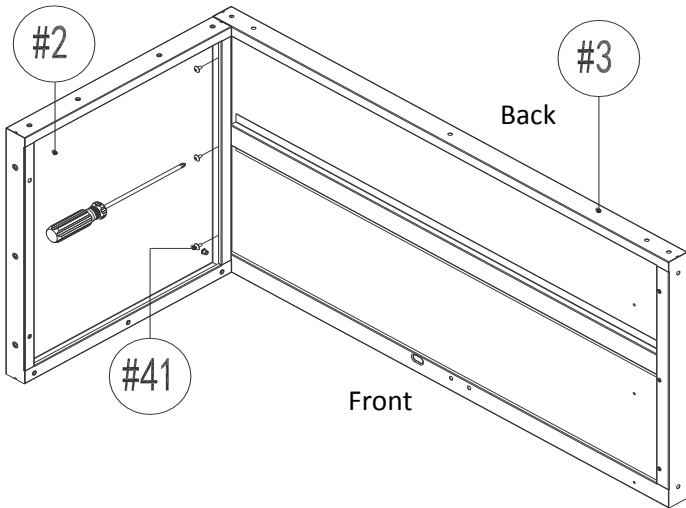
Please check the parts carefully according to the parts list. If you are missing any parts, please call our customer service department (please see page 11.)

	
(#23) Magnet x 2 PCS	(#27) WASHER (M4) x 2 PCS
	
(#27-B) WASHER (M8)x 2 PCS	(#41) Screw F (M4 x 8L) x 46 PCS
	
(#42) Screw G (M4 x 30L) x 6 PCS	(#54) Screw N (M4 x 10L) x 26 PCS
	
(#55) Screw M (M6 x 50L) x 2 PCS	(#55-A) Wall Anchor x 2 PCS
	
(#61) Screw O (M4 x 12L) x 2 PCS	

UltraHD® Cabinet Stacker (Model No. WEB346, WEB640, UHD20153T, UHD133T)



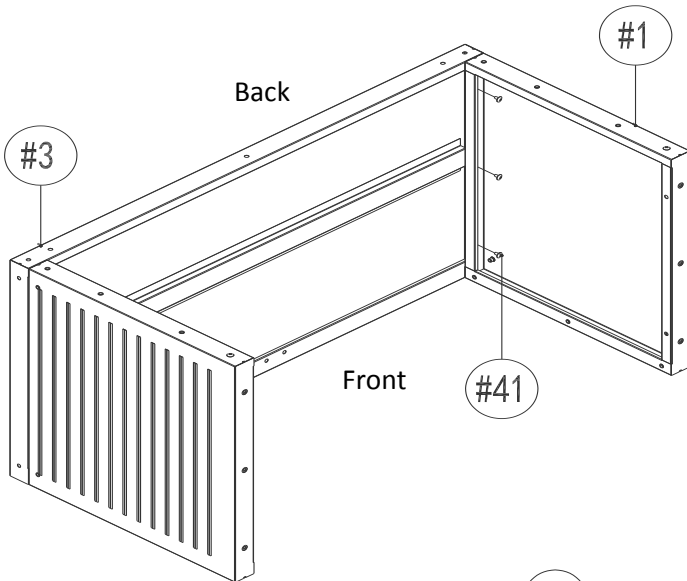
NOTE: We recommend using TWO people to assemble the cabinet



TIP: A magnetic screwdriver is included for your convenience. If a power screwdriver is used, keep on a low torque setting.

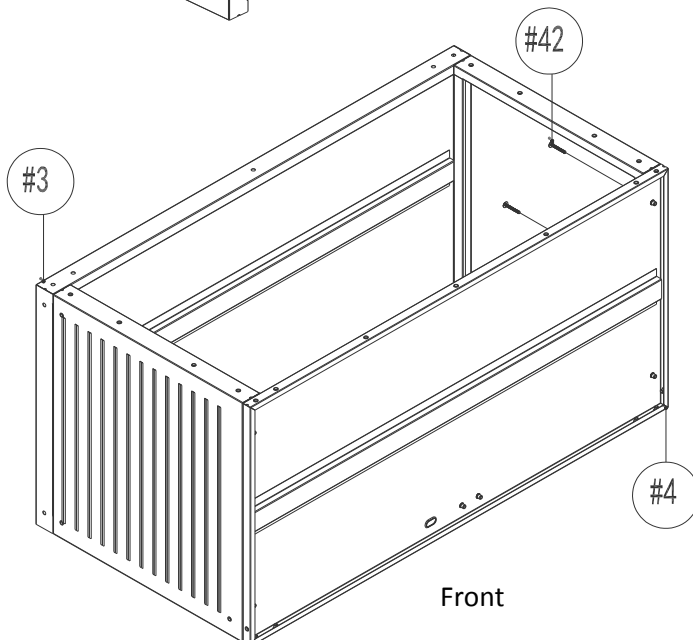
Step 1: Install Right Panel (#2) to the Top Panel (#3)

Place the Right Panel (#2) on the ground vertically. Make sure the front of the panel faces downward. Place the Top Panel (#3) next to the Right Panel (#2). Line up the screw holes, use 3 pcs of Screw F (#41) to tighten.



Step 2: Install Left Panel (#1)

Place the Top Panel (#3) and Left Panel (#1) vertically. Line up the screw holes, use 3 pcs of Screw F (#41) to tighten.



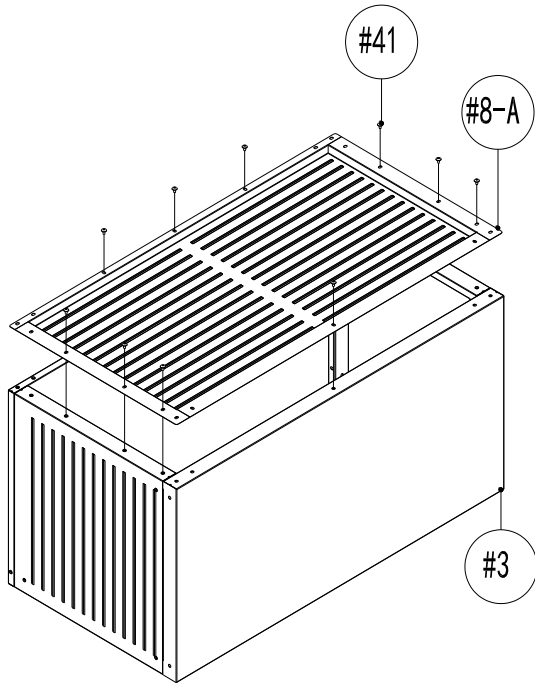
Step 3: Install Bottom Panel (#4).

Attach the Bottom Panel (#4) to the Left and Right Side Panels (#1 and #2). Make sure the front of the panel faces downward. Use 6 pcs Screws G (#42) to assemble the panels.

UltraHD® Cabinet Stacker (Model No. WEB346, WEB640, UHD20153T, UHD133T)

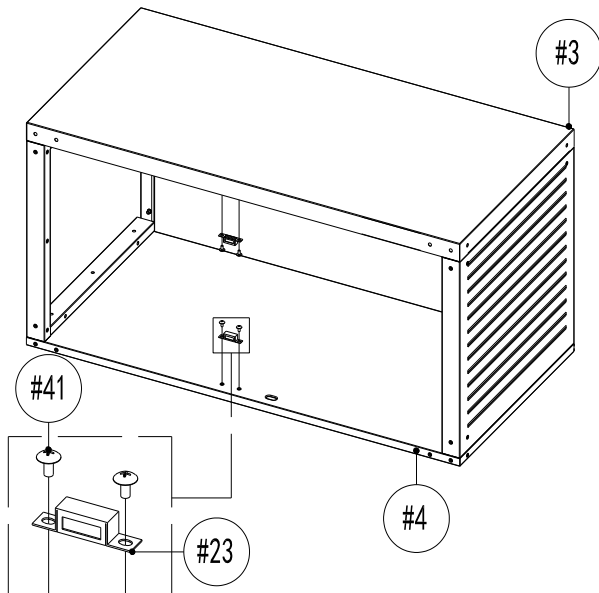


NOTE: We recommend using TWO people to assemble the cabinet



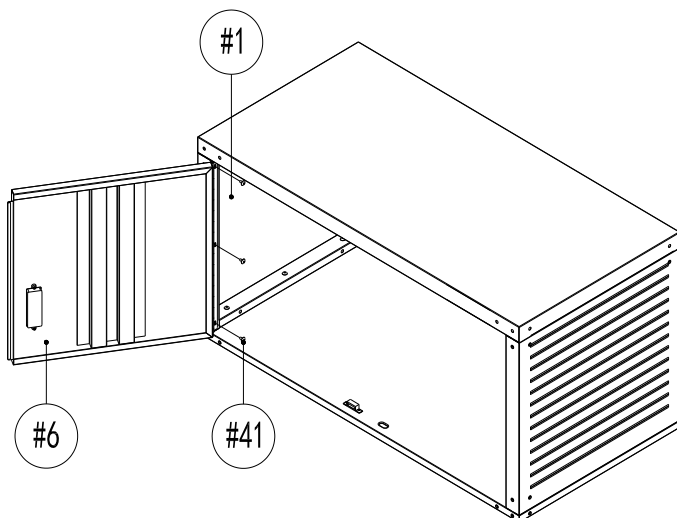
Step 4: Install Back Panel (#8-A).

Place the Back Panel (#8-A) onto both Left and Right Side Panels (#1 and # 2) and Top and Bottom Panel (#3 and 4). Use the 10 pcs of Screw F (#41) to tighten.



Step 5: Install Magnet (#23)

Use 4 pcs of Screw F (#41) to install the Magnet (#23) on the Top Panel (#3) and the Bottom Panel (#4).



Step 6: Install Left Door (#6)

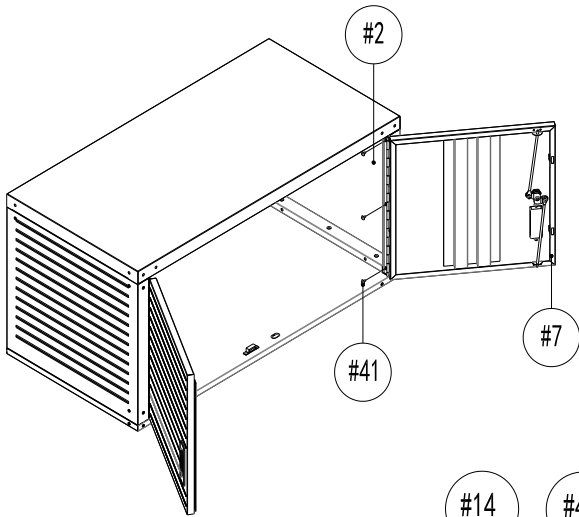
Attach the Left Door (#6) to the Left Panel (#1). Use 3 pcs Screw F (#41) to tighten the Door Panel.

Note: The screw holes on the door hinge have tolerance, enabling the door to be adjusted and centered in the door frame.

UltraHD® Cabinet Stacker (Model No. WEB346, WEB640, UHD20153T, UHD133T)



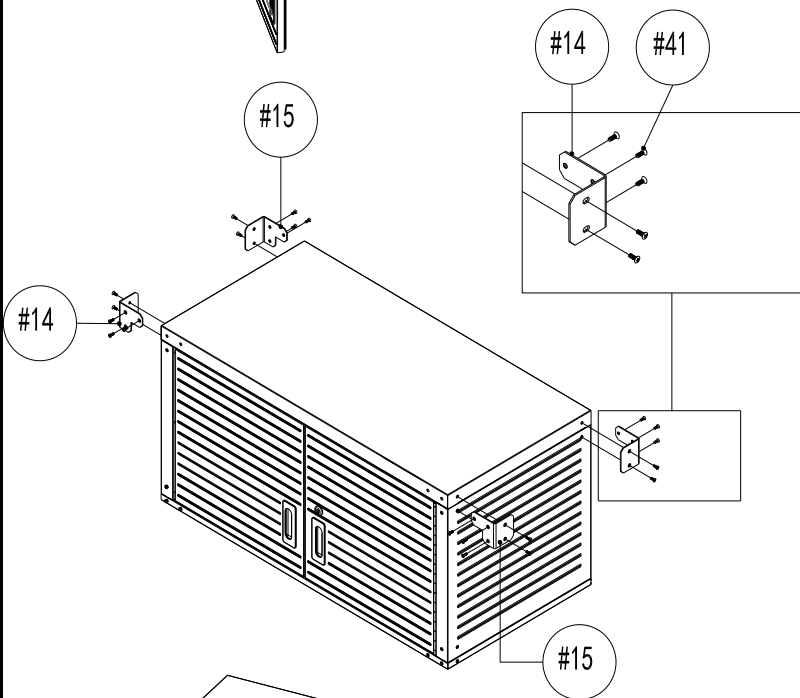
NOTE: We recommend using TWO people to assemble the cabinet



Step 7: Install Right Door (#7)

Attach the Right Door (#7) to the Right Panel (#2). Use 3 pcs Screw F (#41) to tighten the Door Panel.

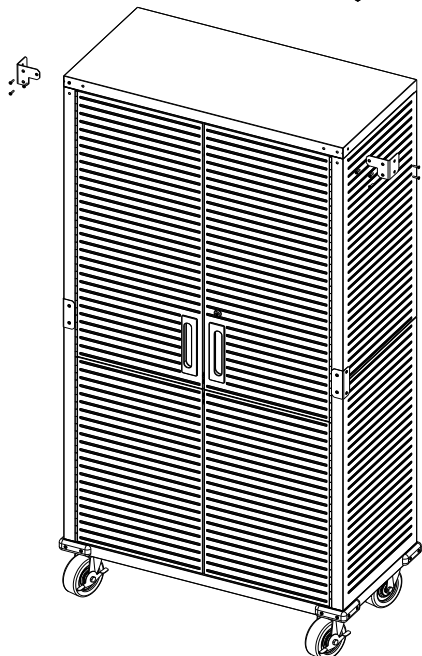
Note: The screw holes on the door hinge have tolerance, enabling the door to be adjusted and centered in the door frame.



Step 8: Install the Corner Protection A&B (#14&15)

Use 20 pcs of Screws F (#41) to install the Corner Protection A and B (#14 and #15) onto the top of the cabinet.

Note Fully tighten the screws after all the corner protections are attached.

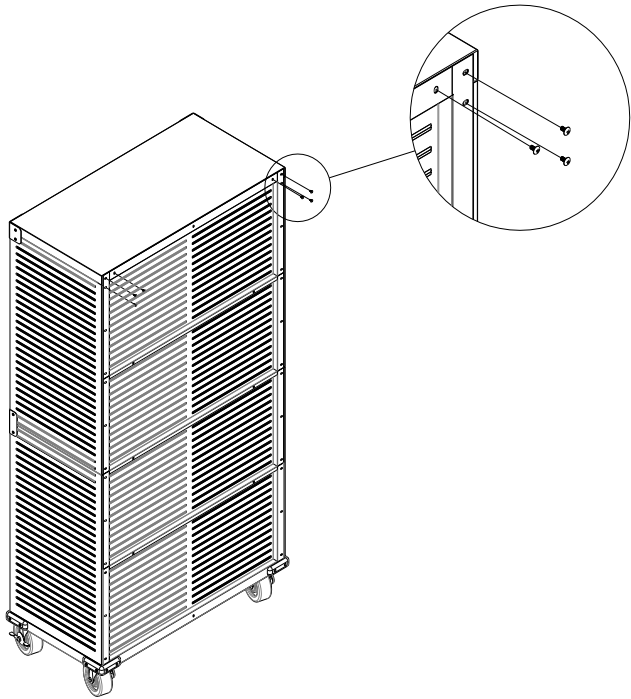


Step 9: Remove the top Corner Protection brackets from Model No. 16236 /20143B Tall Cabinet as the left photo shows.

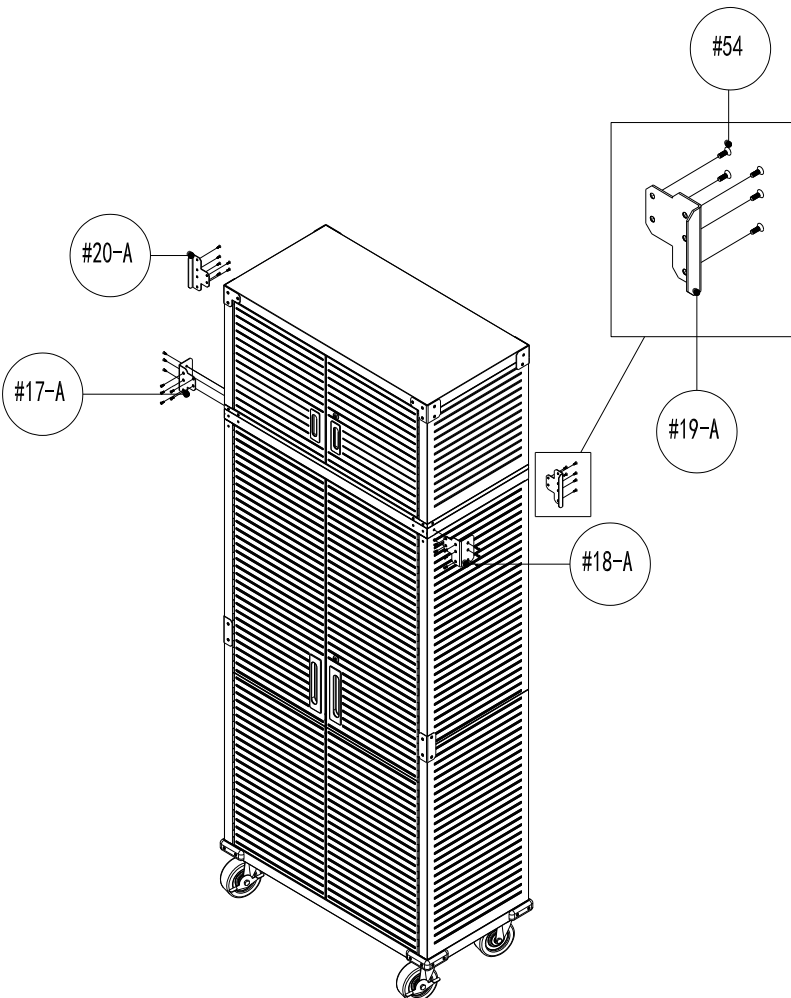
UltraHD® Cabinet Stacker (Model No. WEB346, WEB640, UHD20153T, UHD133T)



NOTE: We recommend using TWO people to assemble the cabinet



Step 10: Remove the 6 corner screws from the top back panel of 16236.



Step 11: Attach Cabinet Stacker Model No. WEB346

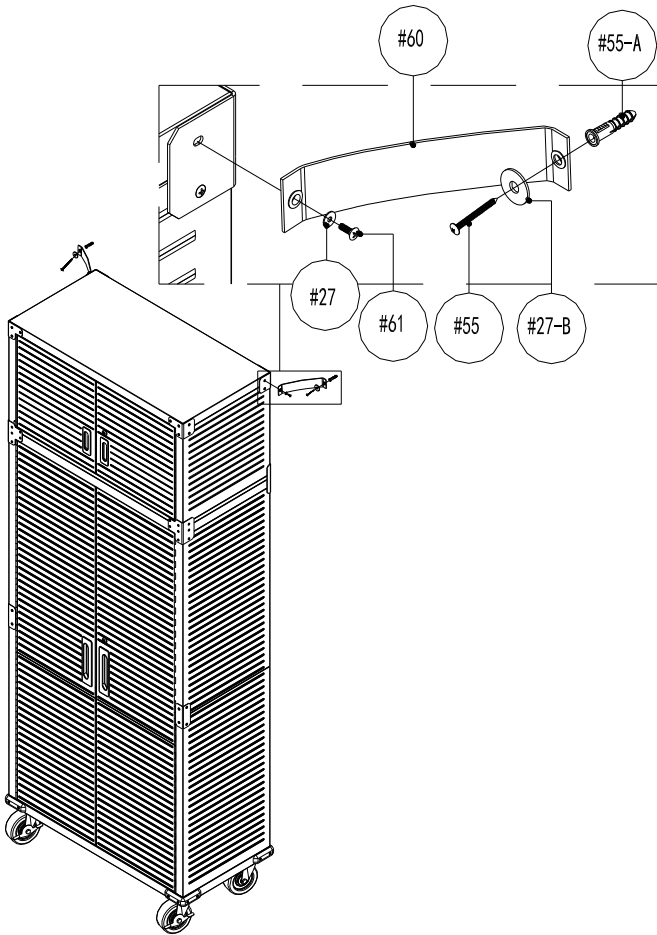
A. Place Cabinet Stacker Model No. WEB346 / WEB640 on top of 16236 / 20143B.

B. Attach the Left Front Bottom Corner Protection (#17-A), Right Front Bottom Corner Protection (#18-A), Right Back Bottom Corner Protection (#19-A), Left Back Bottom Corner Protection (#20-A) on the bottom of the cabinet, use 26 pcs of Screw N (#54) to tighten.

UltraHD® Cabinet Stacker (Model No. WEB346, WEB640, UHD20153T, UHD133T)



NOTE: We recommend using TWO people to assemble the cabinet



Step 12: Install Mounting Strap (#60)

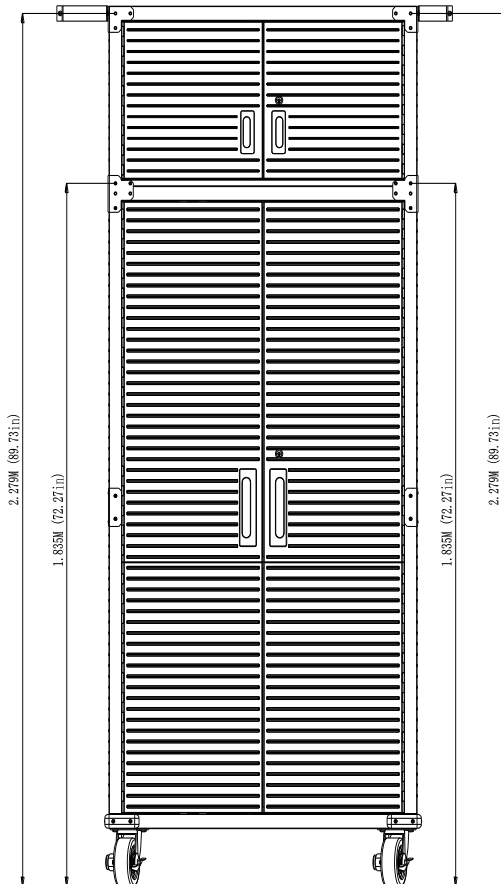
A. Remove 1 pc Screw F (#41) from the back corner protection.

B. Attach the Mounting Strap (#60) to the back Corner Protection brackets as the left photo shows using Screw O (#61) and Washer (#27).

C. Drill a hole in the wall with a 5/16" drill bit, insert the Wall Anchor (#55-A) into the hole.

D. Attach the other end of the Mounting Strap (#60) to the wall using Screw M (#55) and Washer (#27-B).

Repeat steps A through D to install the other mounting strap.



Warning: To prevent possible tipping, it is suggested that the Mounting Straps be installed. For safety, secure the mounting straps to wood studs whenever possible.

UltraHD® Cabinet Stacker (Model No. WEB346, WEB640, UHD20153T, UHD133T)



NOTE: We recommend using TWO people to assemble the cabinet



Stainless Steel Maintenance:

These parts have an UltraGuard® fingerprint resistant finish. Do not use traditional stainless steel cleaners on this unit. Lightly wipe off once a month with clean warm water and a soft cloth (preferably a micro fiber cloth). This is the safest formula to prevent new stains from appearing over time and manage unwanted fingerprints or grease marks. Remember to always wipe in the direction of the surface grain (NEVER ACROSS) and always use a lint-free cloth. Once the surface is clean, thoroughly wipe dry with a soft absorbent cloth.

CONTACT INFORMATION

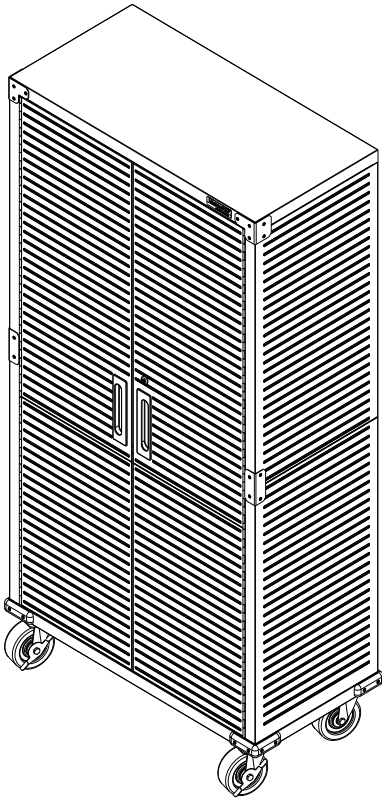
If you are missing any parts, have any questions, or need additional assistance in assembly, please contact our bilingual (English and Spanish) customer service department at:



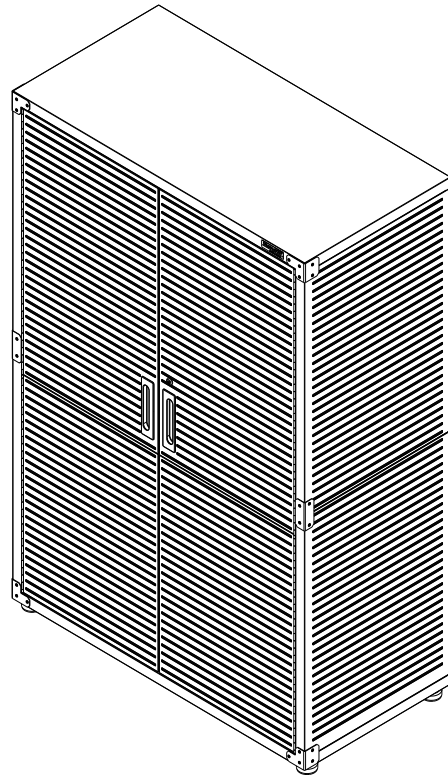
Seville Classics, Inc.
19401 Harborage Way Torrance, CA 90501 USA
Telephone: (800) 323-5565 within USA
Fax: (310) 533-3899
Hours: 9:00am - 4:30pm (Pacific Standard Time)
E-mail: support@sevilleclassics.com
Website & Online Store: www.sevilleclassics.com

*****Please visit our website or call and inquire about our additional UltraHD Line*****

UltraHD® Line

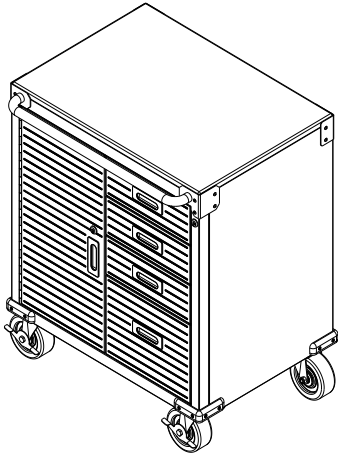


UltraHD® Tall Storage Cabinet
Model No. 16236 (Granite)
Model No. 20143 (Graphite)
Model No. 20153 (Red)
Model No. 20133 (White)

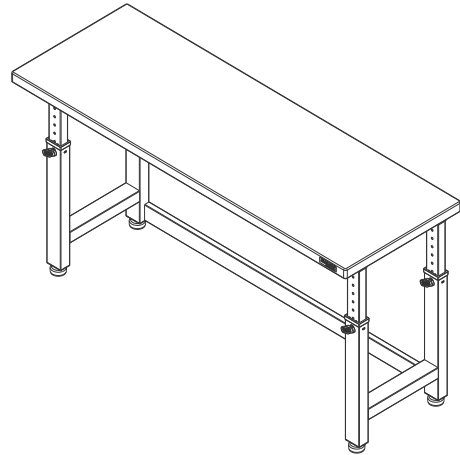


UltraHD® Mega Storage Cabinet
Model No. 16238 (Granite)
Model No. 20148 (Graphite)
Model No. 20158 (Red)
Model No. 20138 (White)

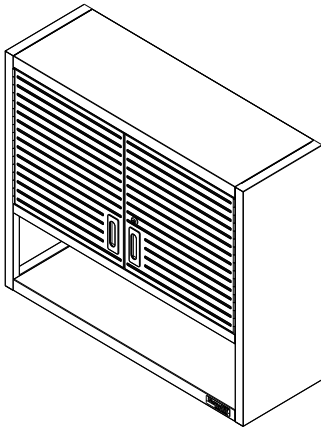
UltraHD® Line



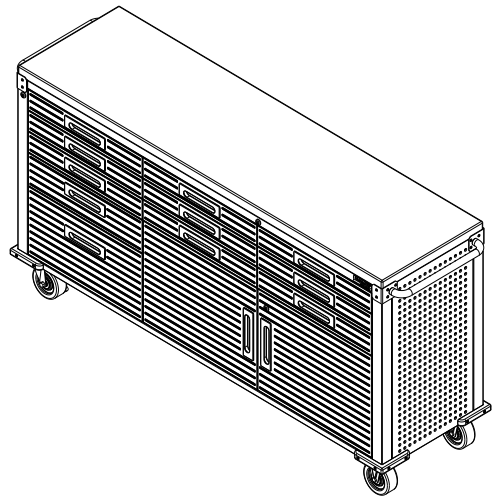
UltraHD® 4-Drawer Rolling Cabinet
Model No. 20205 (Granite)
Model No. 20258 (Graphite)
Model No. 20252 (White)



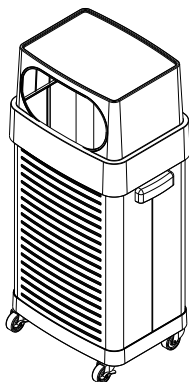
UltraHD® 6-Foot Height Adjustable Workbench
Model No. 20293 (Granite)
Model No. 20292 (Graphite)



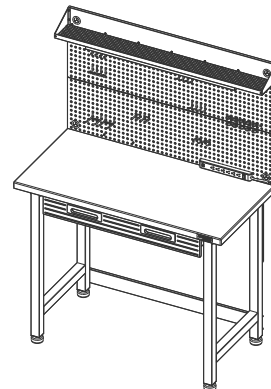
UltraHD® Wall Cabinet with Open Shelf
Model No. 20230 (Granite)
Model No. 20140 (Graphite)
Model No. 20150 (Red)



UltraHD® 2-Door Rolling Workbench
Model No. 20262 (Granite)
Model No. 20142 (Graphite)
Model No. 20152 (Red)



UltraHD® Trash Bin
Model No. 20215



UltraHD® Lighted Workcenter
Model No. 20247 (Granite)
Model No. 20246 (Graphite)
Model No. 20157 (Red)



ASSEMBLY INSTRUCTIONS

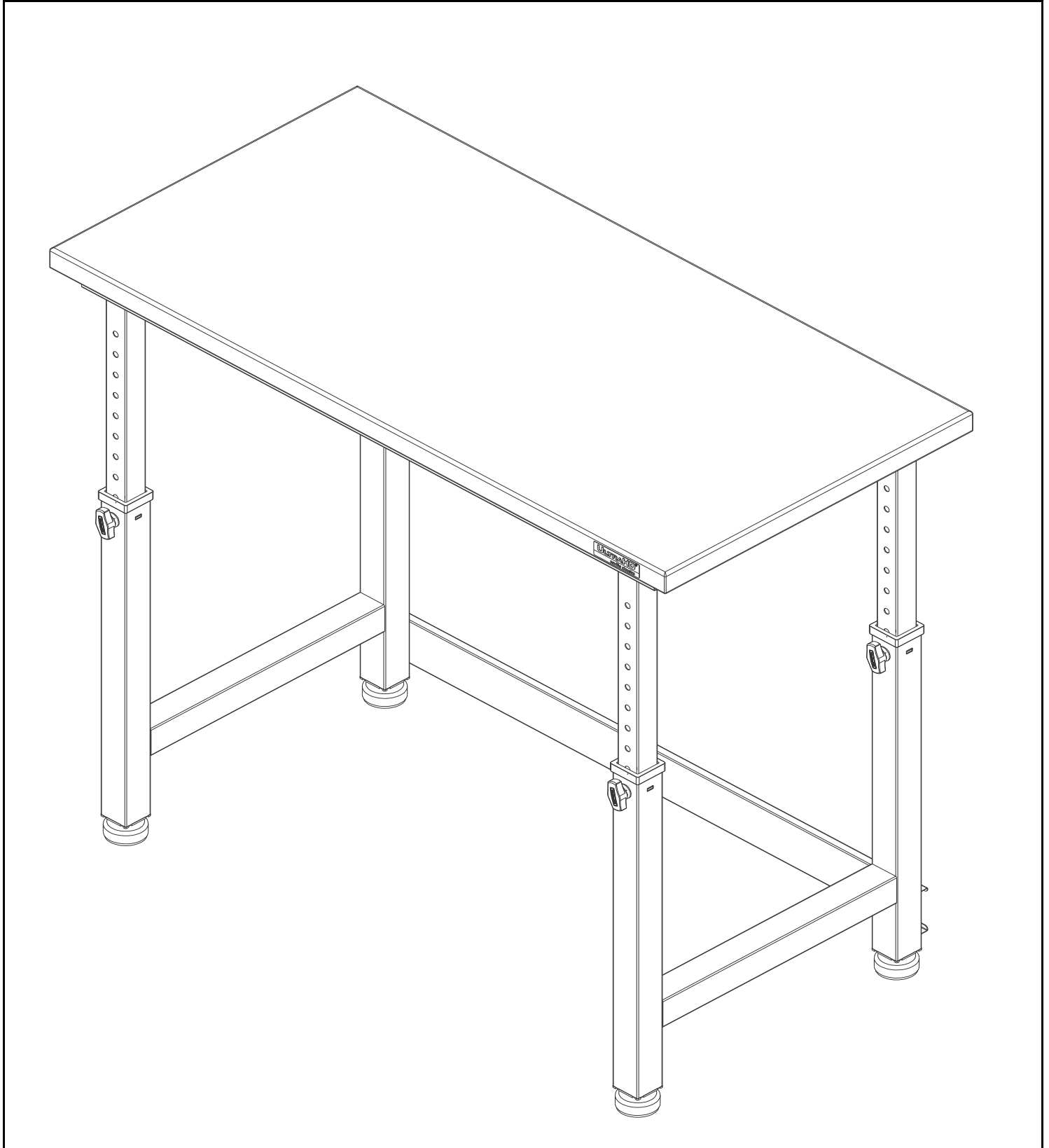
UltraHD® 4-Foot Height Adjustable Workbench

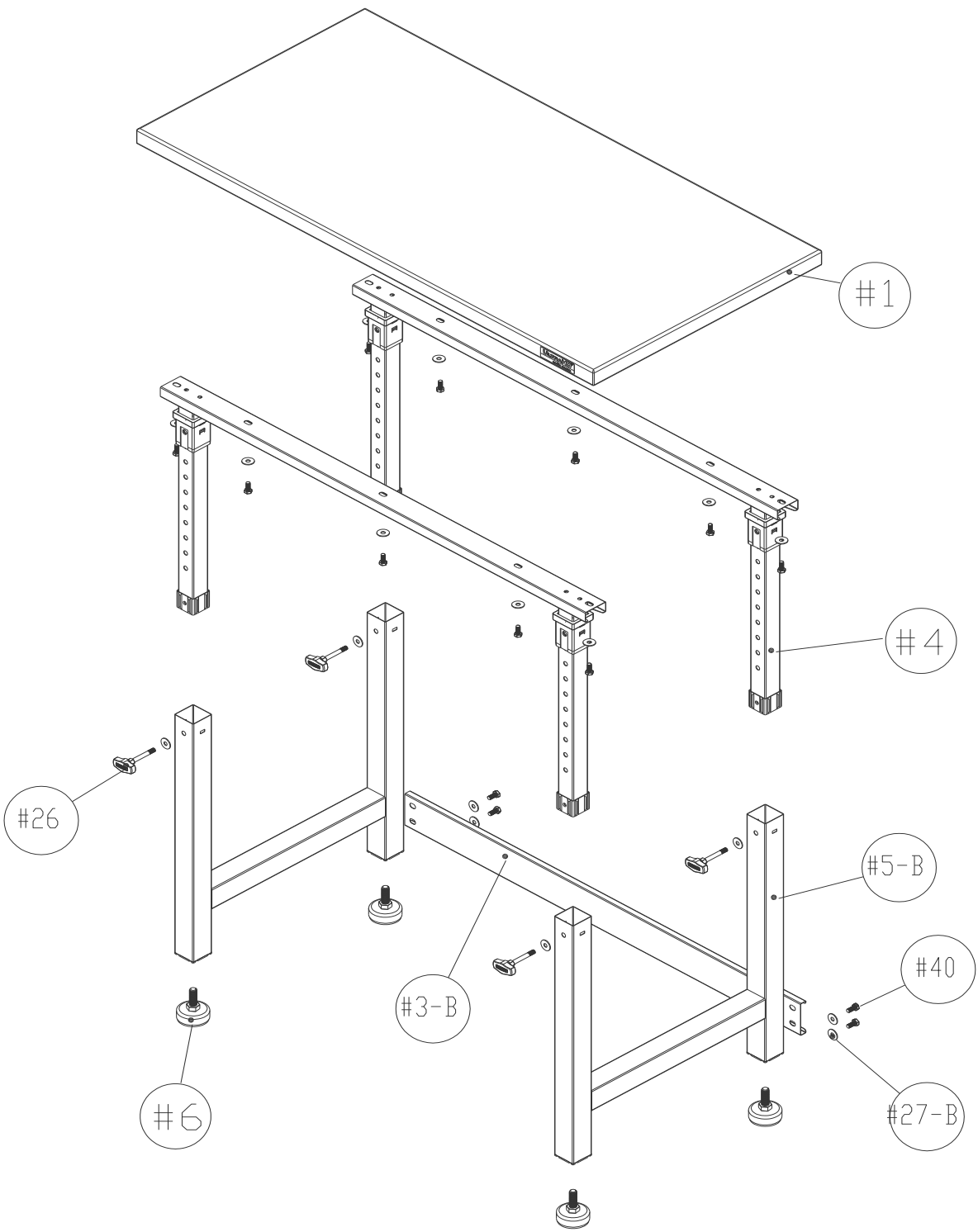
(Model No. 20288, 20182, 20139)

Granite Graphite White

48 in W X 24 in D X 28.5-42 in H

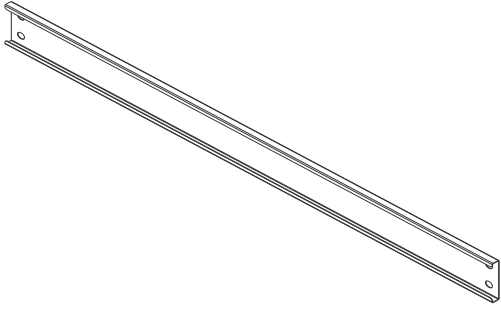
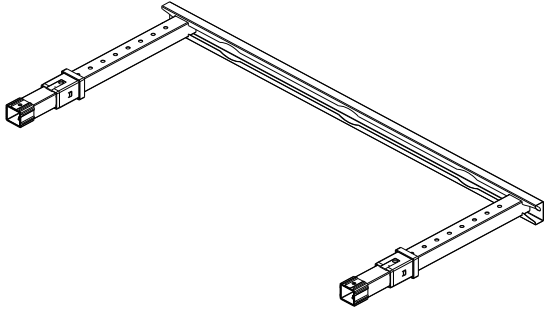
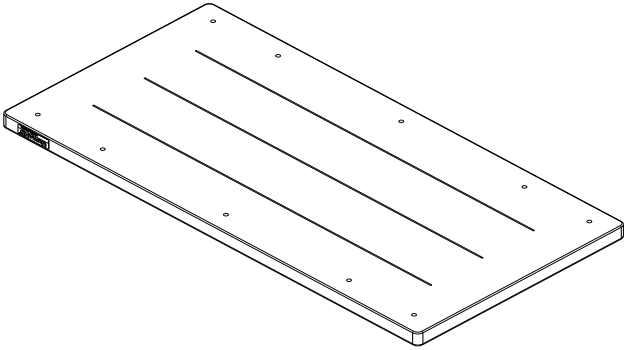
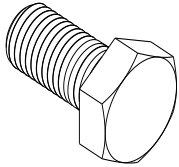
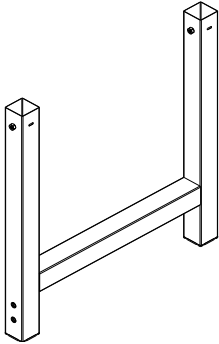
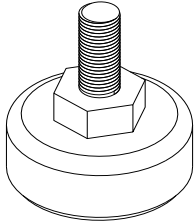
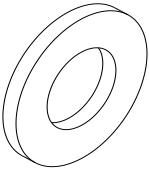
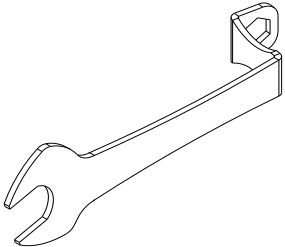
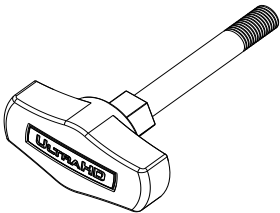
(1.21m x 60.9 cm x 72.4-106.7 cm)





PARTS LIST

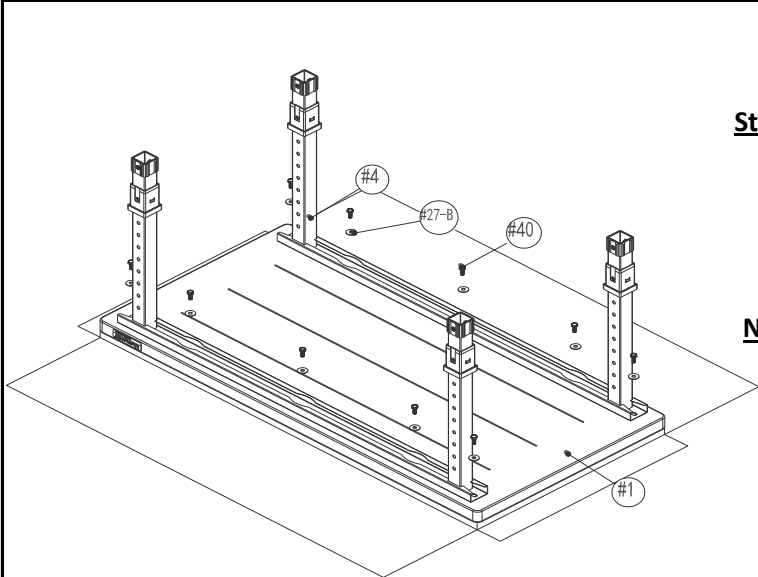
Please check the parts carefully according to the parts list. If you are missing any parts, please call our customer service department. (please refer to page 6).

	
(#3-B) Bottom Crossbar x 1 PC	(#4) Top Crossbar x 2 PCS
	
(#1) Wood Top x 1 PC	(#40) Screw E M8 x 18L 14 PCS
	
(#5-B) Leg x 2 PCS	(#6) Leveling Feet x 4 PCS
	
(#27-B) Washer x 18 PCS	(#25) Wrench x 1 PC
	
(#26) Hand Knob x 4 PCS	

UltraHD® 4-Foot Height Adjustable Workbench (Model No. 20288, 20182, 20139)



*NOTE: We recommend using TWO people to assemble the workbench.

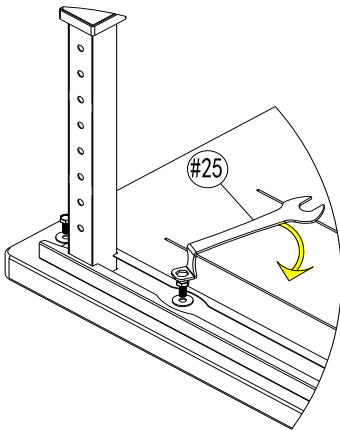


Step 1: Assemble Top Crossbar (#4)

Open the package and make sure there are no missing parts. We recommend assembling in an area with enough space to complete the unit.

NOTE: Leave the Wood Top (#1) on top of cardboard to reduce the chance of scratching during assembly.

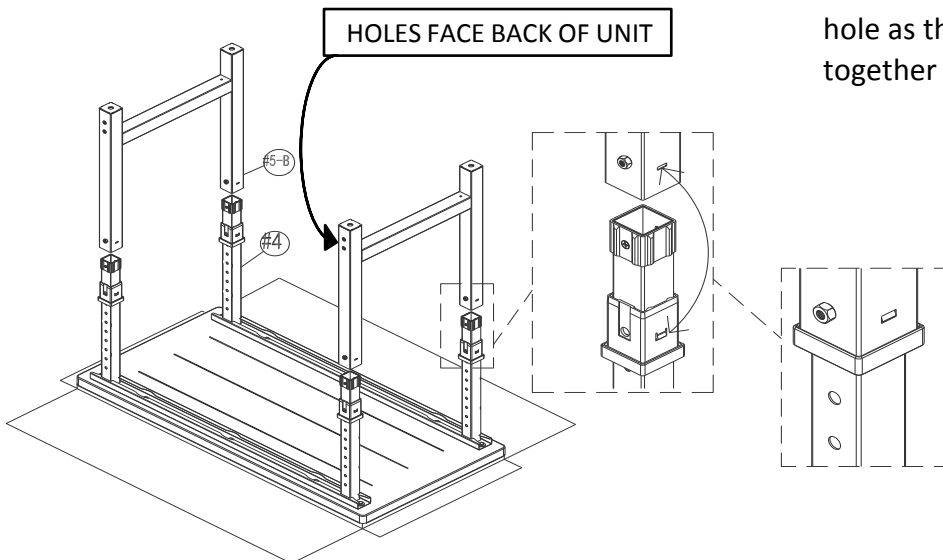
Attach both Top crossbars (#4) to the Solid Hardwood Top (#1). Use 10 pcs Screw E (#40) with Washer (#27-B) and Wrench (#25) to tighten.



Note: Do not fully tighten the screws after finish assembling Step 2.

Step 2: Assemble Leg (#5-B)

Insert the Leg (#5-B) into the tube of the Top Crossbar (#4). Make sure the plastic sleeve hole as the left picture shows attached together properly.



UltraHD® 4-Foot Height Adjustable Workbench (Model No. 20288, 20182, 20139)



*NOTE: We recommend using TWO people to assemble the workbench.



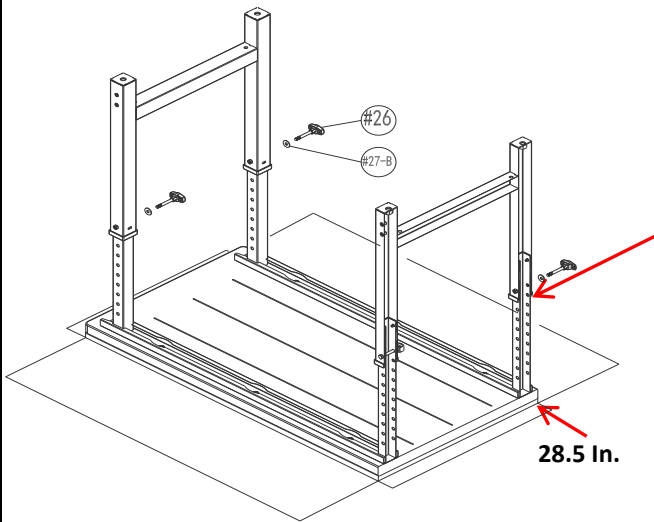
Step 3: Assemble Hand Knob (#26)

Insert 4 pcs of Hand Knob (#26) into the leg tube using Washer (#27-B).

42 In.

Note: Adjust the height of the workbench before assembling the Hand Knob (#26).
Height range is from 28.5 in. to 42 in.

DO NOT adjust height with table loaded.

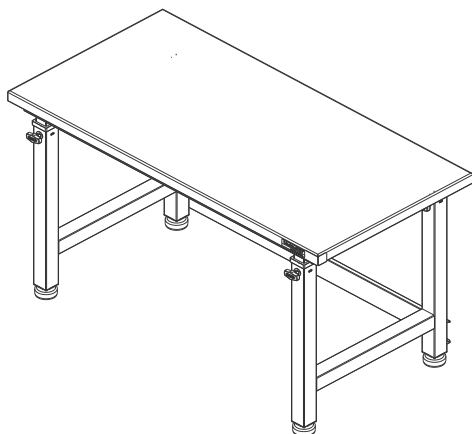
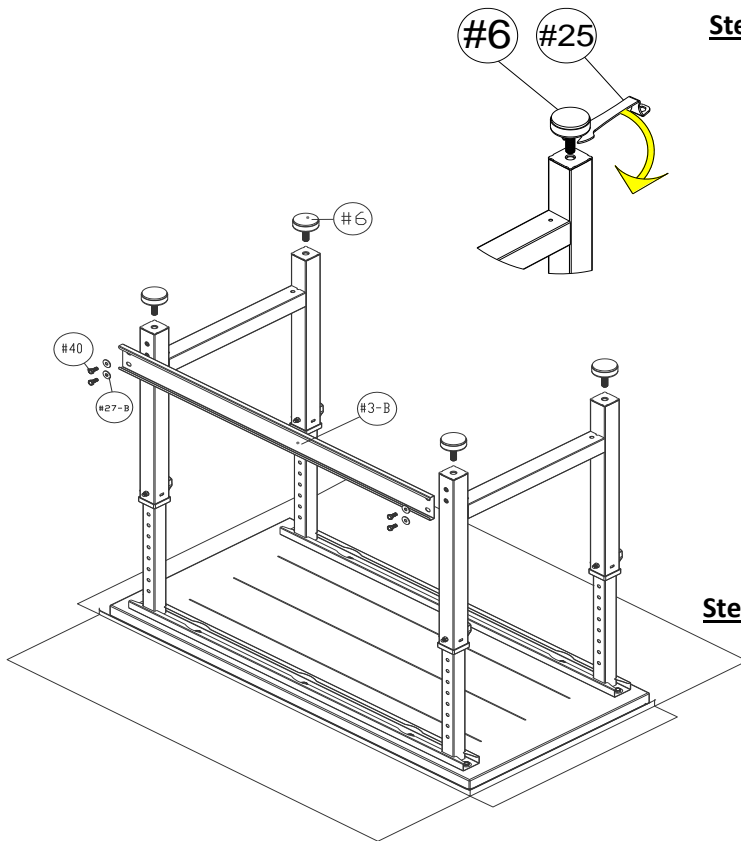


Step 4: Assemble Bottom Crossbar (#3-B) and Leveling Feet (#6)

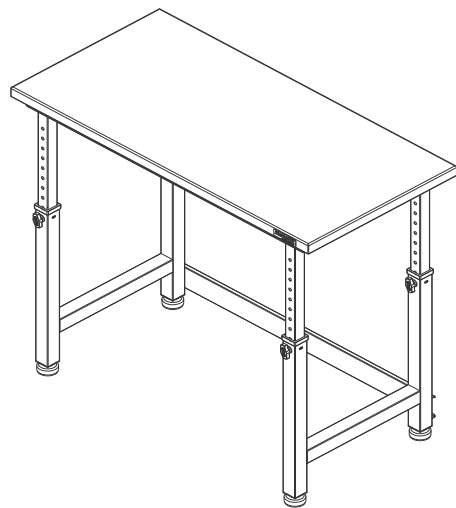
Attach the Bottom Crossbar (#3-B) to the back of (#5-B) Leg Piece, line up the screw holes, use 4 pcs Screw E (#40) with Washer (#27-B) and Wrench (#25) to tighten.

After installing Bottom Crossbar (#3-B), attach Leveling Feet (#6) to Leg Pieces (#5-B), use Wrench (#25) to tighten.

Step 5: Turn the workbench upright onto feet.
DO NOT drag the workbench into position. Lift and carry with 2-people.



28.5 In. (minumum)



42 In. (maximum)

UltraHD® 4-Foot Height Adjustable Workbench (Model No. 20288, 20182, 20139)



*NOTE: We recommend using TWO people to assemble the workbench.



UltraHD® Wood Top Care Instructions

Our tops are made with real wood, and while great care is taken to ensure consistent top color and graining, there may be natural variations between finished products. We hand select the wood for every top to ensure the material is undamaged and naturally beautiful. If the wood top is received with excessive damage or splitting, Seville Classics will guarantee replacement of the top. Variations of color, and minor scratches in the clear coat finish will not be reason for replacement.

Restore Shallow Scratches or Chips

The wood surface of this product is finished with a polyurethane coat. If the wood top becomes chipped or scratched, a polyurethane coat can be reapplied to restore a smooth texture and protect from future damage.

- Please follow the manufacturer's instruction on the product for application.

CONTACT INFORMATION

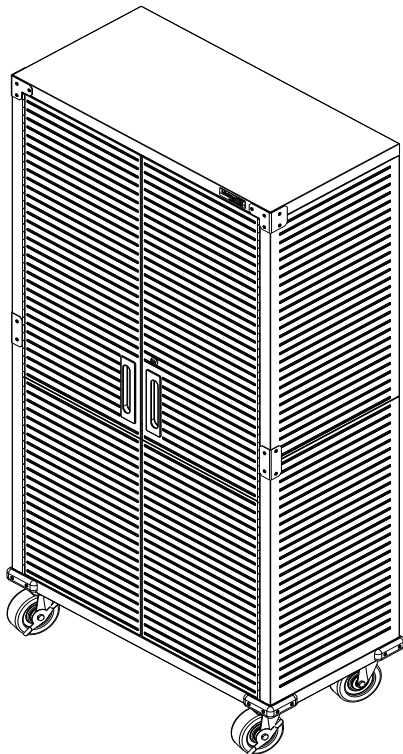
If you are missing any parts, have any questions, or need additional assistance in assembly, please contact our bilingual (English and Spanish) customer service department at:



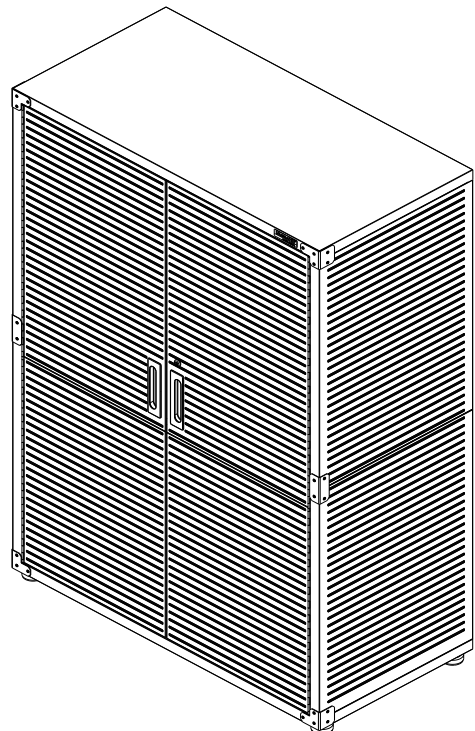
Seville Classics, Inc.
19401 Harborgate Way Torrance, CA 90501 USA
Telephone: (800) 323-5565 within USA
Fax: (310) 533-3899
Hours: 9:00am - 4:30pm (Pacific Standard Time)
E-mail: support@sevilleclassics.com
Website & Online Store: www.sevilleclassics.com

*****Please visit our website or call and inquire about our additional UltraHD Line*****

UltraHD® Line

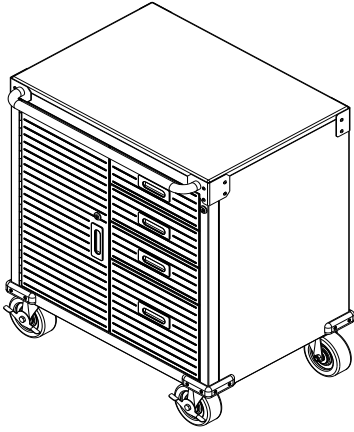


UltraHD® Tall Storage Cabinet
Model No. 16236 (Granite)
Model No. 20143 (Graphite)
Model No. 20153 (Red)
Model No. 20133 (White)

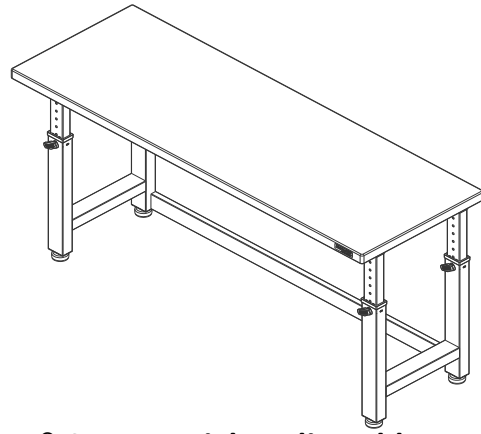


UltraHD® Mega Storage Cabinet
Model No. 16238 (Granite)
Model No. 20148 (Graphite)
Model No. 20158 (Red)

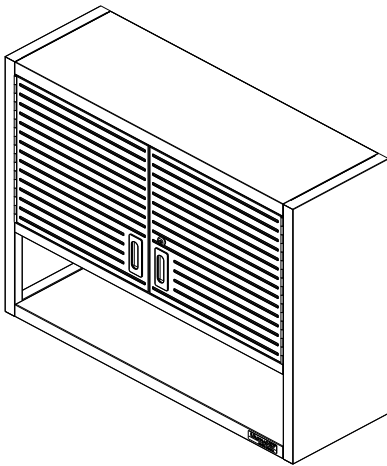
UltraHD® Line



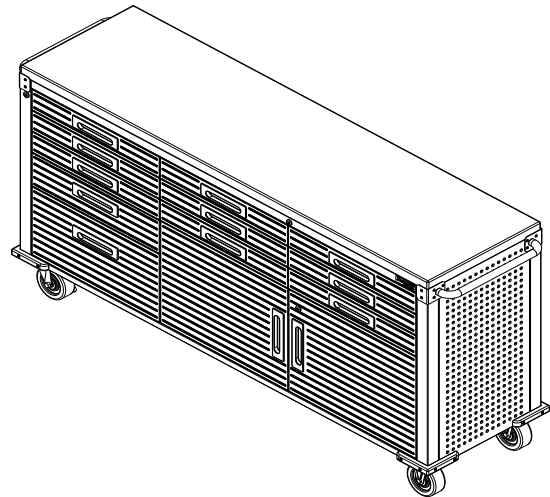
UltraHD® 4-Drawer Rolling Cabinet
Model No. 20205 (Granite)



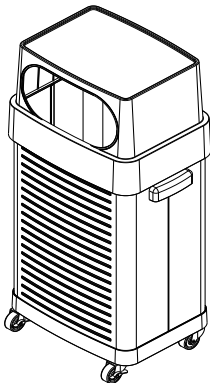
UltraHD® 6-Foot Height Adjustable Workbench
Model No. 20292 (Granite)
Model No. 20293 (Graphite)



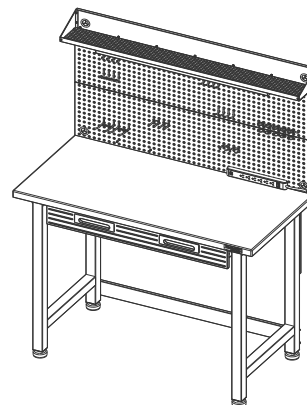
UltraHD® Wall Cabinet with Open Shelf
Model No. 20230 (Granite)
Model No. 20140 (Graphite)
Model No. 20150 (Red)



UltraHD® 2-Door Rolling Workbench
Model No. 20262 (Granite)
Model No. 20142 (Graphite)
Model No. 20152 (Red)



UltraHD® Rolling Trash Bin
Model No. 20215



UltraHD® Lighted Workcenter
Model No. 20247 (Granite)
Model No. 20246 (Graphite)
Model No. 20157 (Red)



ASSEMBLY INSTRUCTIONS

UltraHD® 24" x 24" Pegboard Set

(Model No. UHD20248, UHD20243, UHD20231, UHD20268)

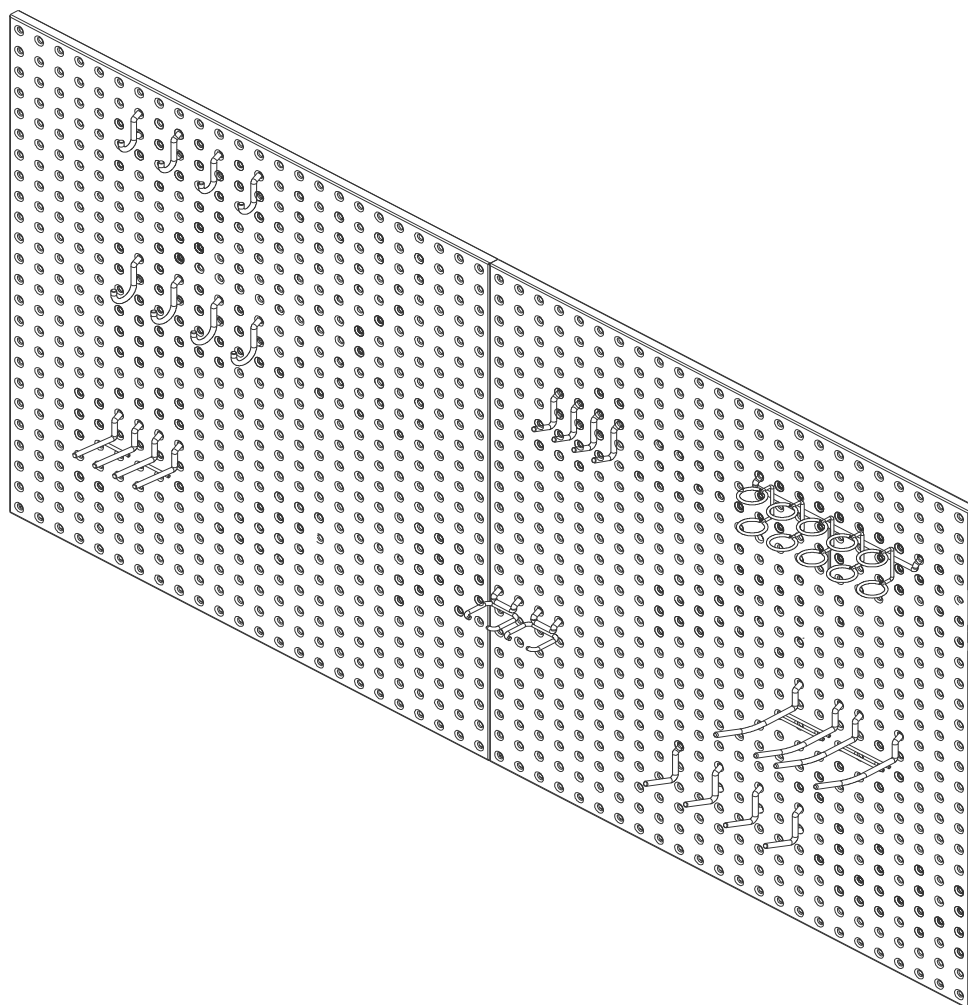
Granite

Graphite

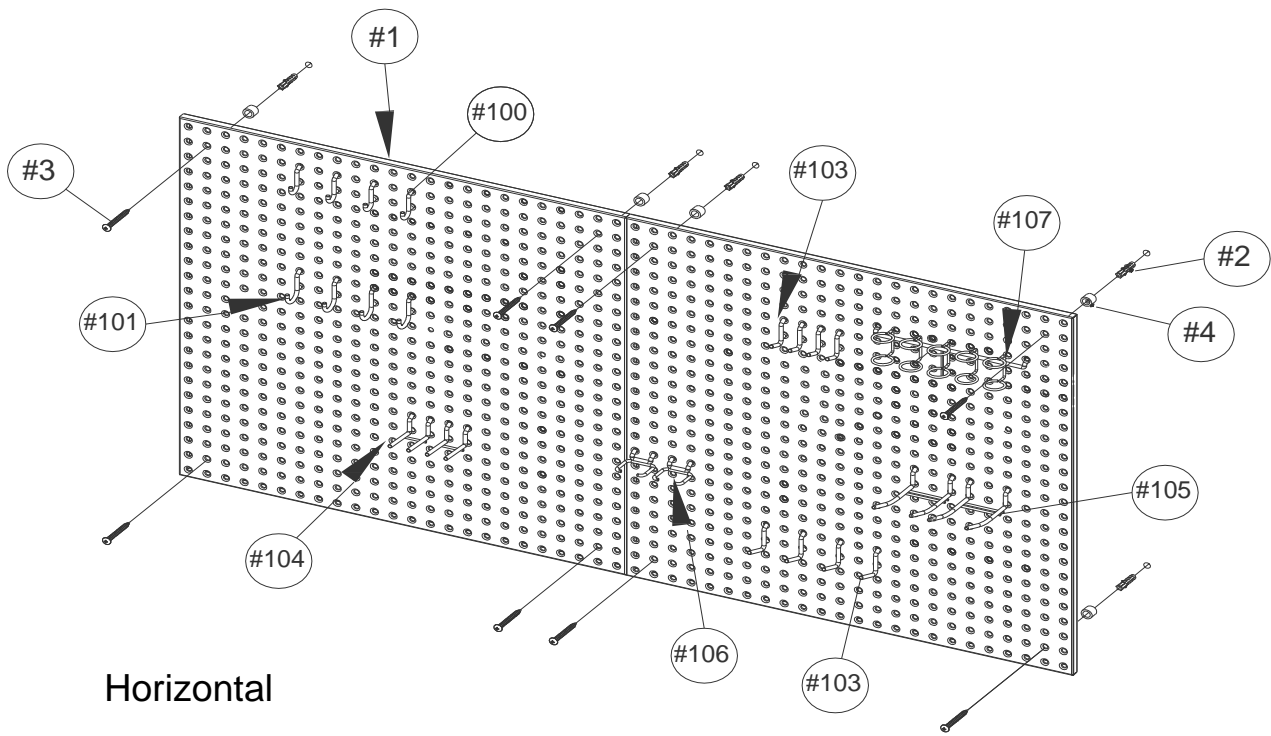
White

Red

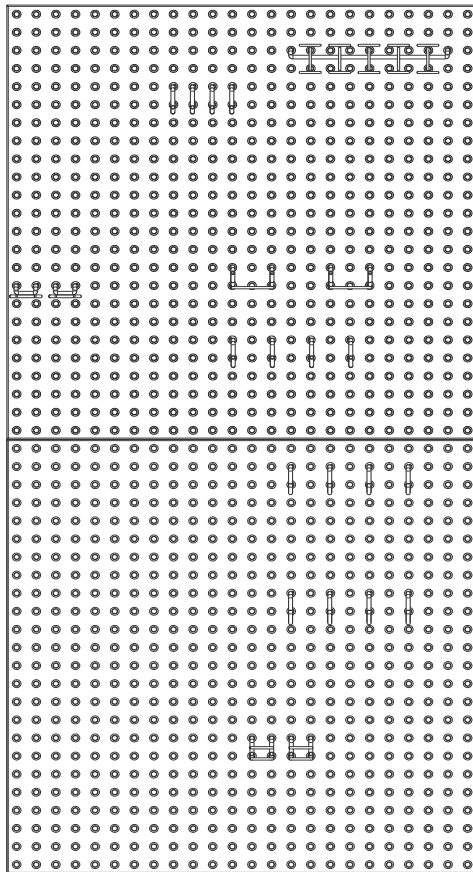
48"W x 0.5"D x 24"H (121.9cm x 1.52cm x 61cm)



Pegboard Assembly



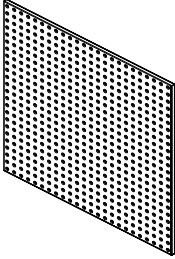


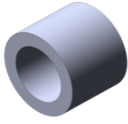


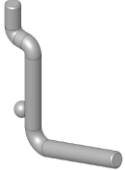
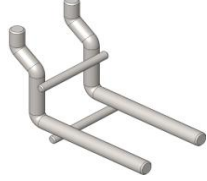
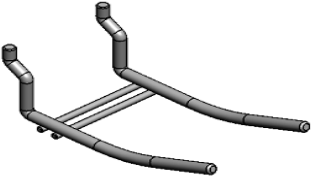
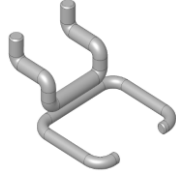

Horizontal



Vertical

PARTS LIST

Please check the parts carefully according to the parts list. If you are missing any parts, please contact our customer service department. (Please refer to page 4)

	
<p>(#1) PEGBOARD x 2 PCS</p>	<p>(#2) PLASTIC ANCHOR x 8 PCS</p>
	
<p>(#3) SCREW C (M6 x 60L) x 8 PCS</p>	<p>(#4) SPACER x 8 PCS</p>
	
<p>(#100) 1/2" CURVED x 4 PCS</p>	<p>(#101) 1" CURVED x 4 PCS</p>
	
<p>(#103) 1.5" STRAIGHT x 8 PCS</p>	<p>(#104) 2" DOUBLE PRONG x 2 PCS</p>
	
<p>(#105) 4" CURVED DOUBLE PRONG x 2 PCS</p>	<p>(#106) 2" PLIER HOLDER x 2 PCS</p>
	
<p>(#107) 2" MULTI-TOOL HOLDER x 1 PCS</p>	

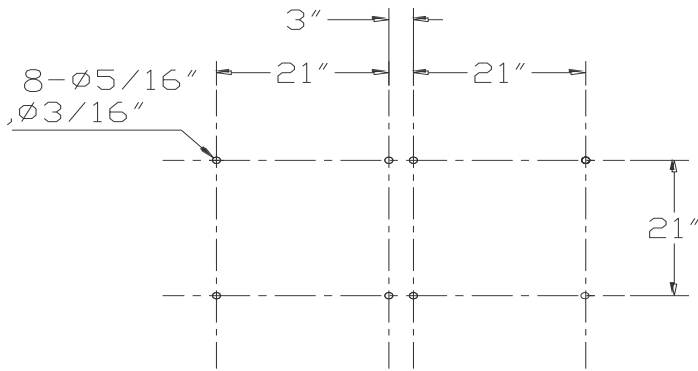
UltraHD® 24" x 24" Pegboard Set (Model No. UHD20248, UHD20243, UHD20231, UHD20268)



***NOTE: We recommend using TWO people to assemble the cabinet.**



Step 1: Mark the locations.

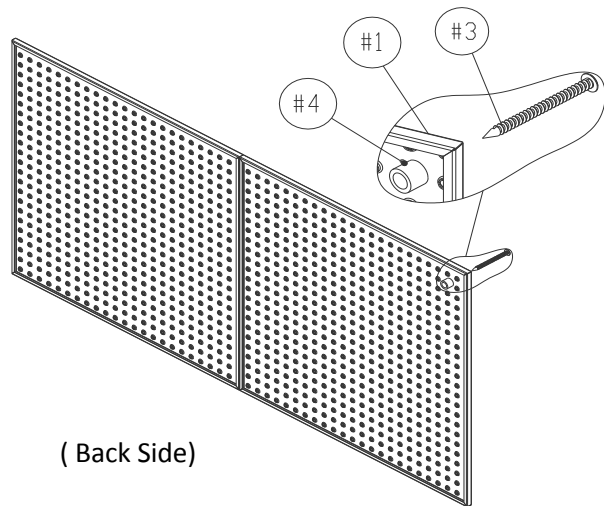


Mark the locations for drilling holes. The hole locations will vary depending on the mounting surface. For mounting onto wall studs, the holes for one piece of pegboard which are usually 21" (533.4mm) apart, the holes must also be drilled 21" (533.4mm) apart, and another pegboards holes should be 3" (76.2mm) apart nearby.

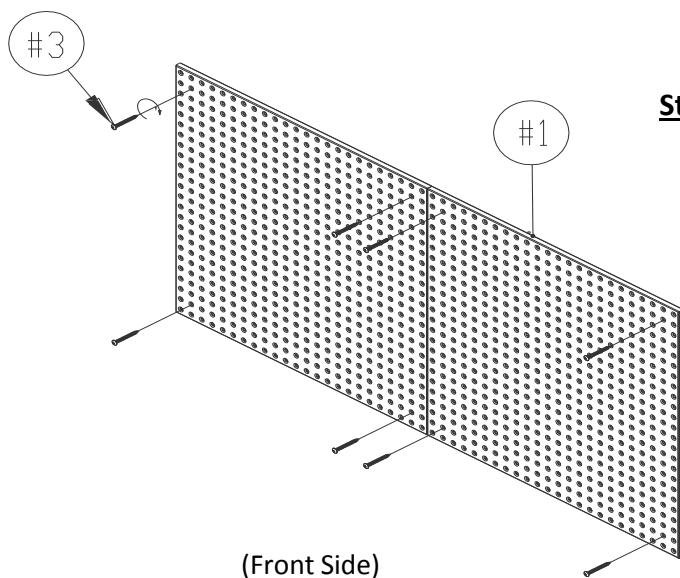
Step 2: Install the Spacers (#4)

Place the Screws (#3) into the pegboard, on the locations that you have mark in Step 1.

Then onto the BACK of the pegboards, attach the Spacers (#4) to the Screws (#3). See image on the right.



(Back Side)



(Front Side)

Step 3: Placing the pegboard

Each pegboard needs 4 pcs. of Screws (#3) and Plastic Anchors (#2). Install ONE pegboard at a time to assure level. Repeat steps for the NEXT pegboard to place next to the first one or at desired location.

Once you finish setting up the pegboards, place the Hooks (#100 - #107) as you desire.

CONTACT INFORMATION

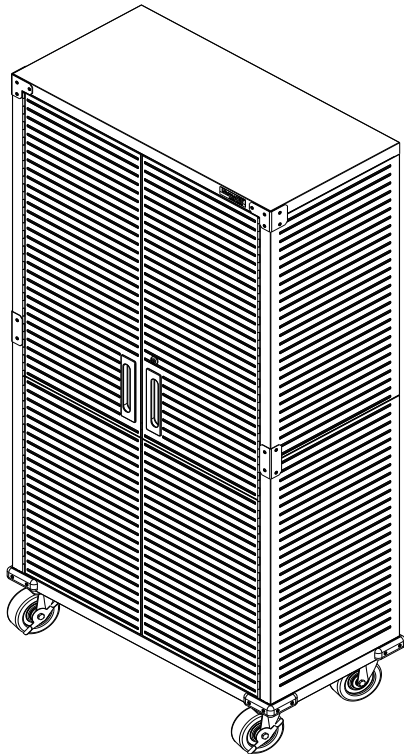
If you are missing any parts, have any questions, or need additional assistance in assembly, please contact our bilingual (English and Spanish) customer service department at:



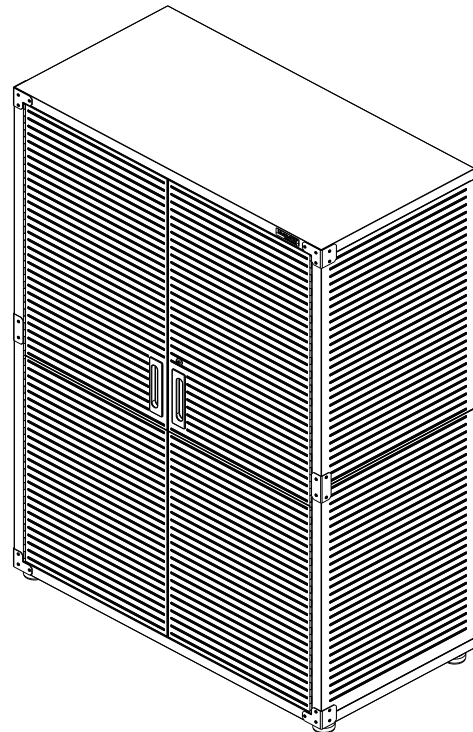
Seville Classics, Inc.
19401 Harborgate Way Torrance, CA 90501 USA
Telephone: (800) 323-5565 within USA
Fax: (310) 533-3899
Hours: 9:00am - 4:30pm (Pacific Standard Time)
E-mail: support@sevilleclassics.com
Website & Online Store: www.sevilleclassics.com

*****Please visit our website or call and inquire about our additional UltraHD Line*****

UltraHD® Line

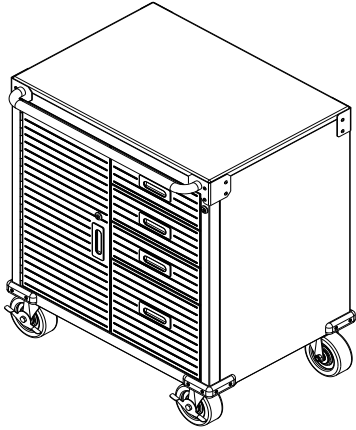


UltraHD® Tall Storage Cabinet
Model No. 16236 (Granite)
Model No. 20143 (Graphite)
Model No. 20153 (Red)
Model No. 20133 (White)

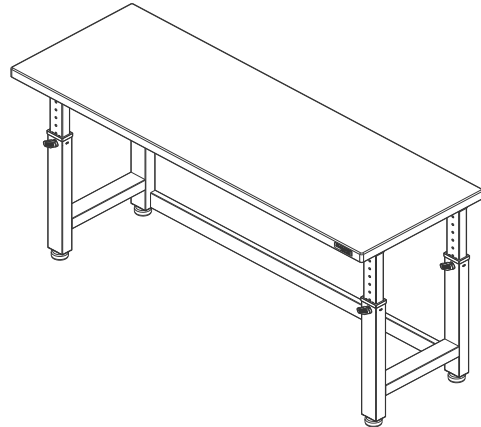


UltraHD® Mega Storage Cabinet
Model No. 16238 (Granite)
Model No. 20148 (Graphite)
Model No. 20158 (Red)

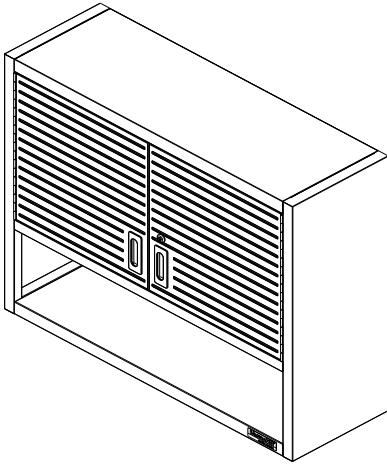
UltraHD® Line



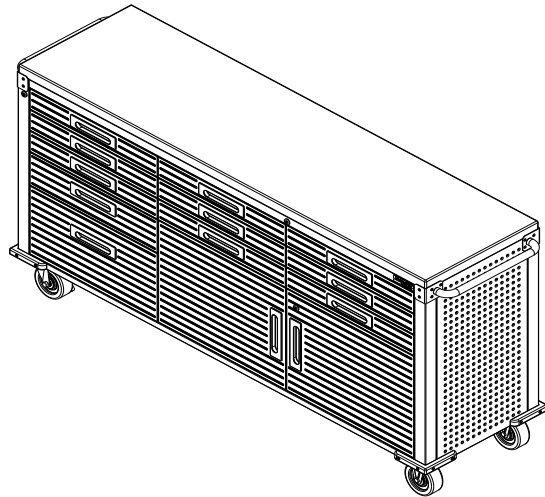
UltraHD® 4-Drawer Rolling Cabinet
Model No. 20205 (Granite)



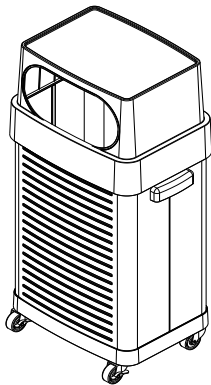
UltraHD® 6-Foot Height Adjustable Workbench
Model No. 20292 (Granite)
Model No. 20293 (Graphite)



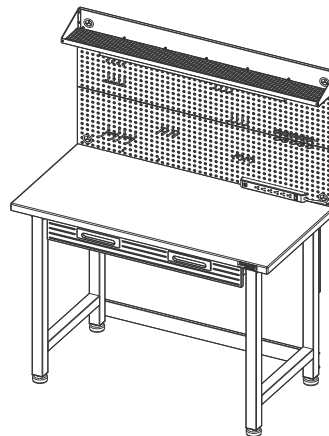
UltraHD® Wall Cabinet with Open Shelf
Model No. 20230 (Granite)
Model No. 20140 (Graphite)
Model No. 20150 (Red)



UltraHD® 2-Door Rolling Workbench
Model No. 20262 (Granite)
Model No. 20142 (Graphite)
Model No. 20152 (Red)



UltraHD® Rolling Trash Bin
Model No. 20215



UltraHD® Lighted Workcenter
Model No. 20247 (Granite)
Model No. 20246 (Graphite)
Model No. 20157 (Red)