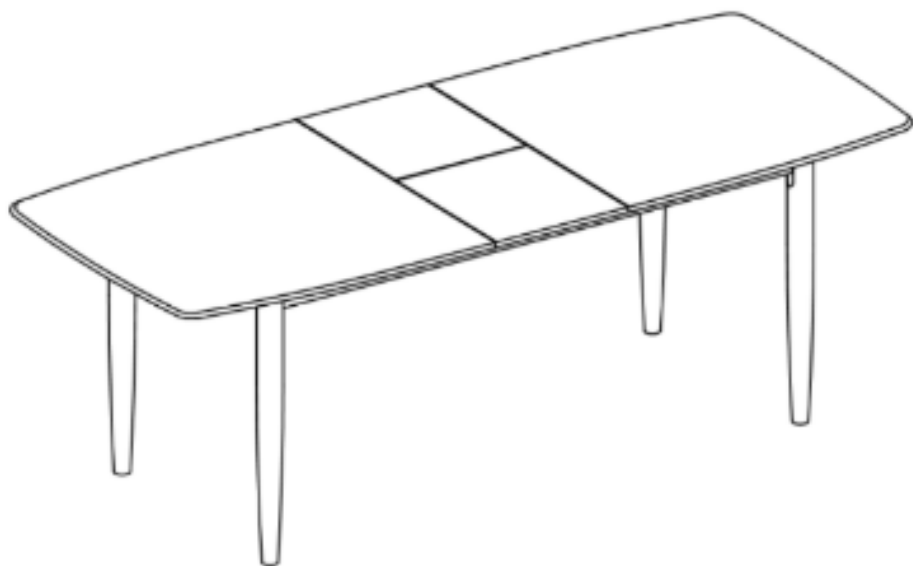


Extending Dining Table

Assembly Guide



IMPORTANT: please read these instructions fully before starting assembly



**SAFETY AND
CARE ADVICE**



NO POWER TOOLS

- Check you have all the components and tools listed
- Remove all fittings from their bags and separate into groups
- We do not recommend use of power tools - this could damage the unit. Only use hand screwdrivers and Allen keys
- Keep children and animals away from the work area, small parts could cause choking if swallowed
- Make sure you have enough space to lay out the parts before starting
- Assemble the item as close to its final position (same room) as possible
- Do not over tighten the nuts to avoid damage to the threads
- Only clean using a damp cloth and mild detergent. Do not use bleach or abrasive cleaners
- From time to time, check there are no loose screws in this unit
- This product should not be discarded with household waste. Take to your local authority waste disposal centre

IMPORTANT INFORMATION



15 Minute
Build



Two Person
Build

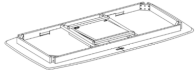
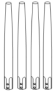


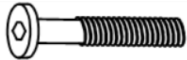



Max Weight
Capacity
100kg

Note: Assembly estimates are approximate and can differ based on the specific environment and user experience.

WHAT'S IN THE BOX

Note: the quantities are the correct amount to complete the assembly. In some cases more fixings may be supplied than are required.

Label	Part Name	Drawing	Quantity
1	Table Top (with the Butterfly Extension)		1
2	Table Legs		4

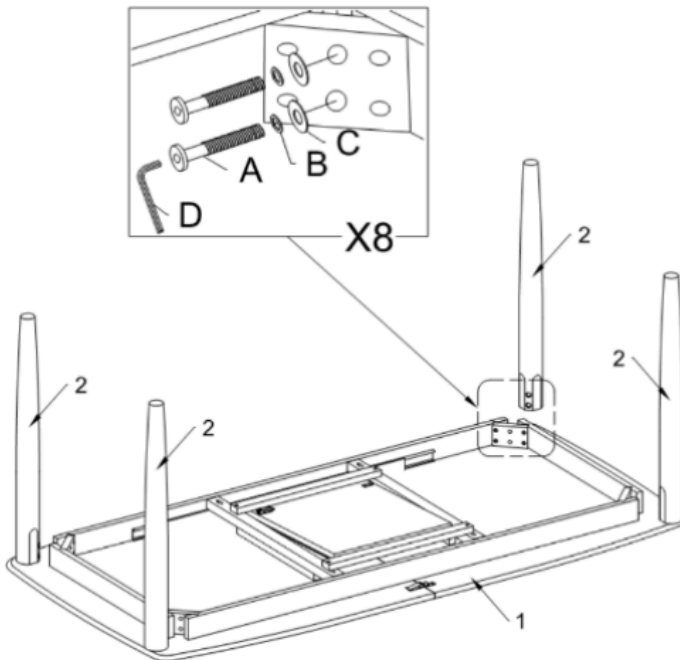
Label	Hardware Description	Drawing	Size (mm)	Quantity
A	JCBC Bolt		M8x70	8
B	Spring Washer		5/16"	8
C	Flat Washer		5/16"	8
D	Allen Key		M5	1





Note:

- Use a clear, flat surface to avoid bumps or scratches before assembling.
- Once all fixings are in place, tighten them evenly.
- Avoid over-tightening, as this may damage the parts.
- Use two people to avoid damaging the tabletop during positioning.

STEP 1

Attach 4 legs (2) to the table frame (1). Then carefully flip the table over.



A		8
B		8
C		8
D		1

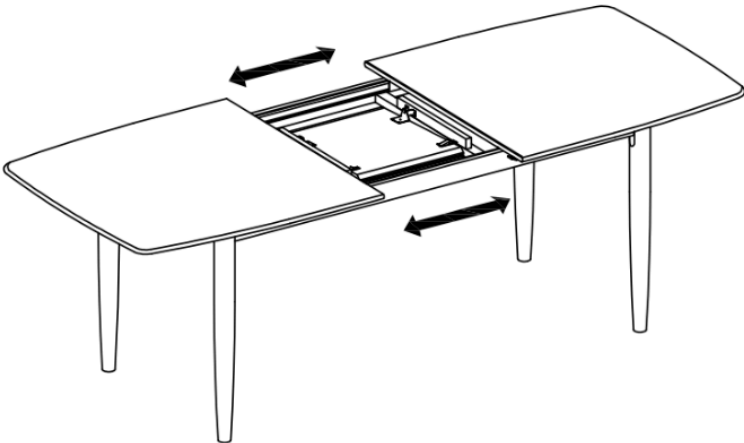
STEP 2

Unlock the lock under the table



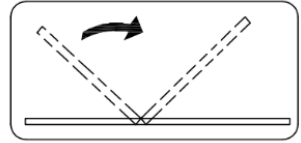
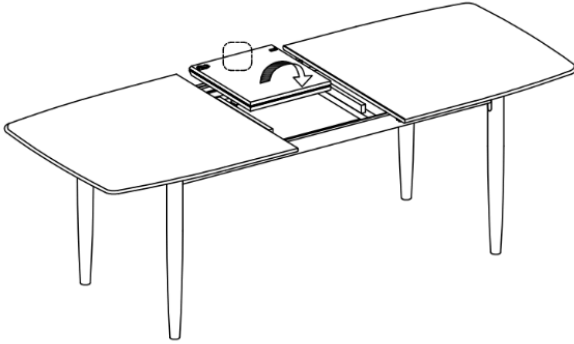
STEP 3

Pull both ends of the table apart to reveal the butterfly extension leaf.



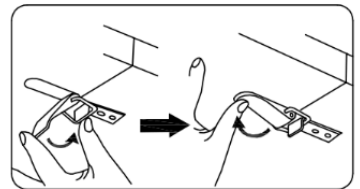
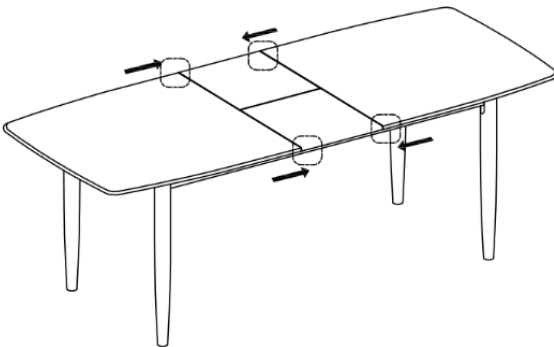
STEP 4

Lift and unfold the butterfly extension leaf from its storage position.



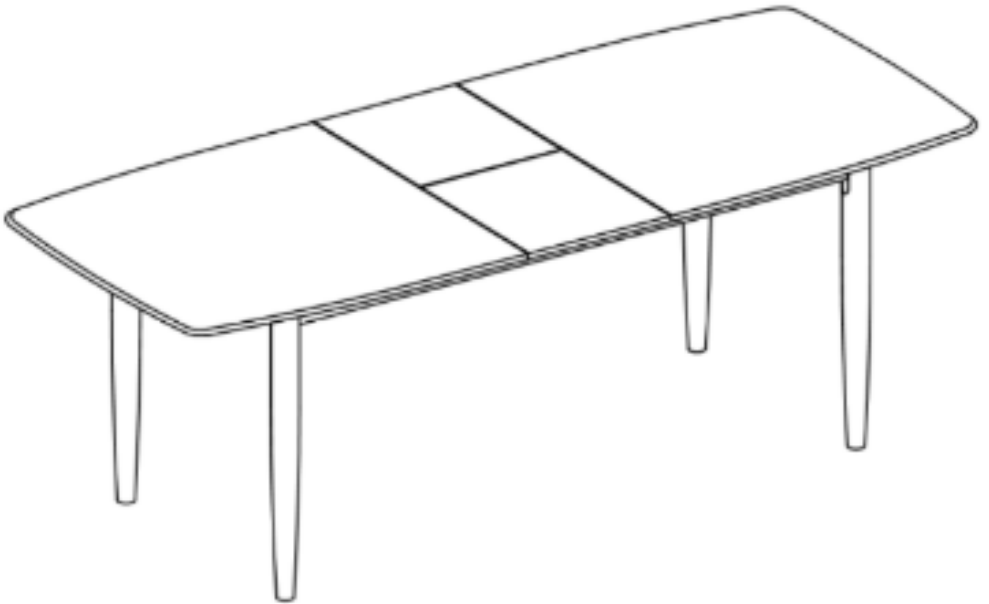
STEP 5

Make sure the leaf aligns it with the main tabletop. Push the table ends back together, ensuring everything is level and stable. Finally, close the table securely and lock it in place.



STEP 6

Your table is now fully assembled



EXTENDING THE TABLE

1. Locate and release the latches beneath the tabletop to unlock the sliding rails.
2. Gently and with help, pull both ends of the table apart until the extension panel is fully exposed.
3. Lift out the extension panel stored under the tabletop and position it over the opening.
4. Align the extension panel's edges with the tabletop.
5. With help, push both ends of the table back together until their edges meet evenly.
6. Check that the surface is level and stable, then engage the latches underneath to lock the table closed.

RETRACTING THE TABLE

1. Release the latches beneath the tabletop to unlock the sliding mechanism.
2. With help, gently pull both ends of the table apart until the extension panel is fully exposed, then guide it back into its slot beneath the main surface.
3. With help, push the table ends back together until the edges line up evenly. Ensure the top is level, then re-engage the locking catches underneath.



our 2 year GUARANTEE

Our products come with a 2 year guarantee, giving you extra peace of mind when shopping with us

What the guarantee covers



PRE-INSERTED FIXINGS



FAULTY JOINTS



EXTERNAL FIXING FAULTS



STRUCTURAL INTEGRITY
