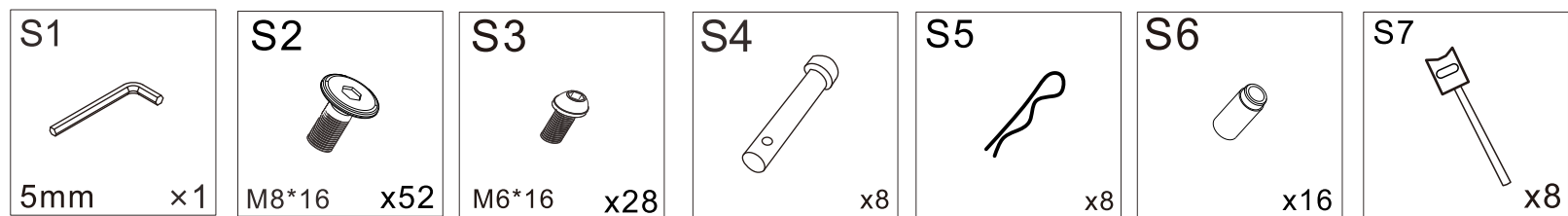
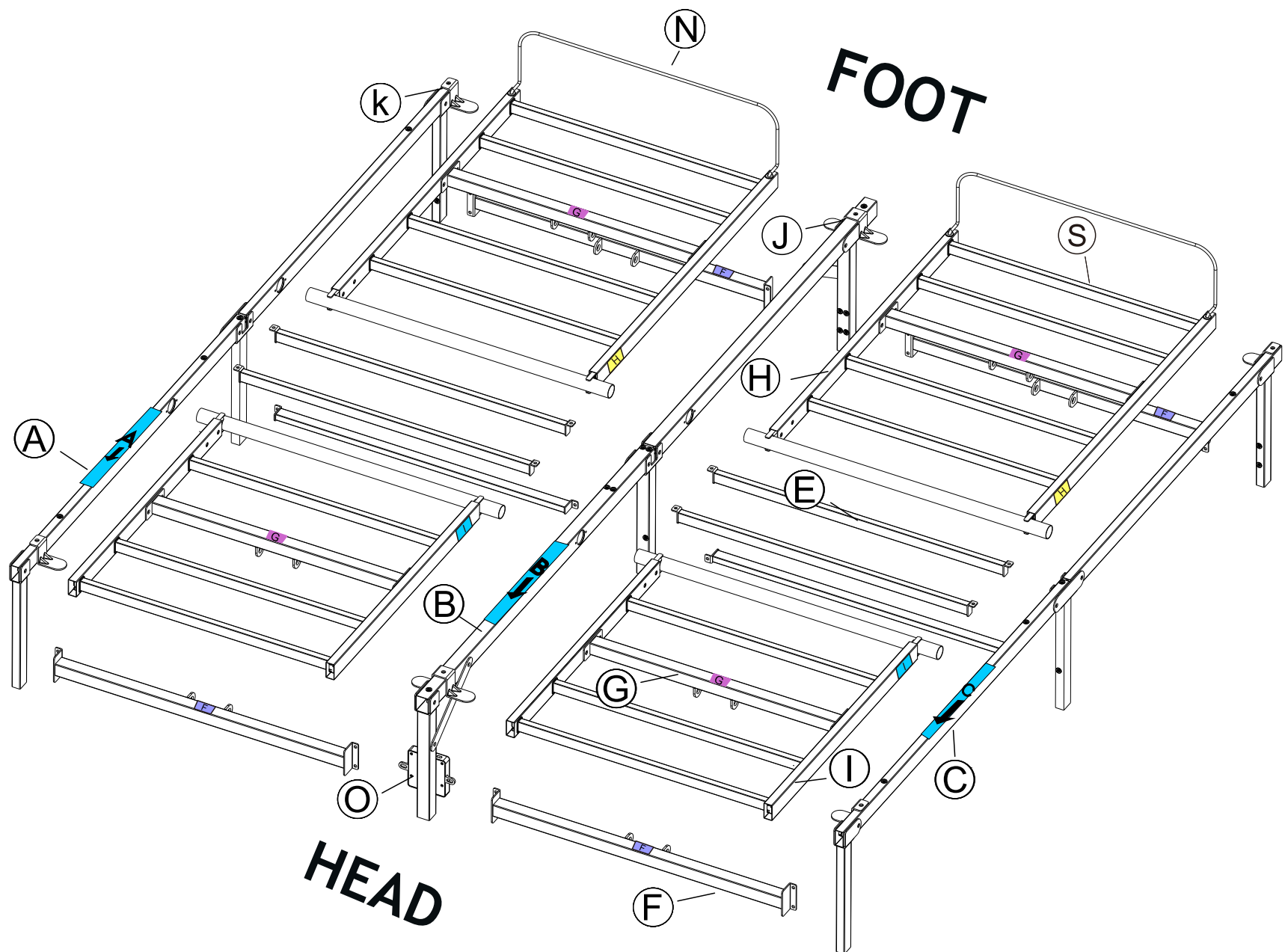
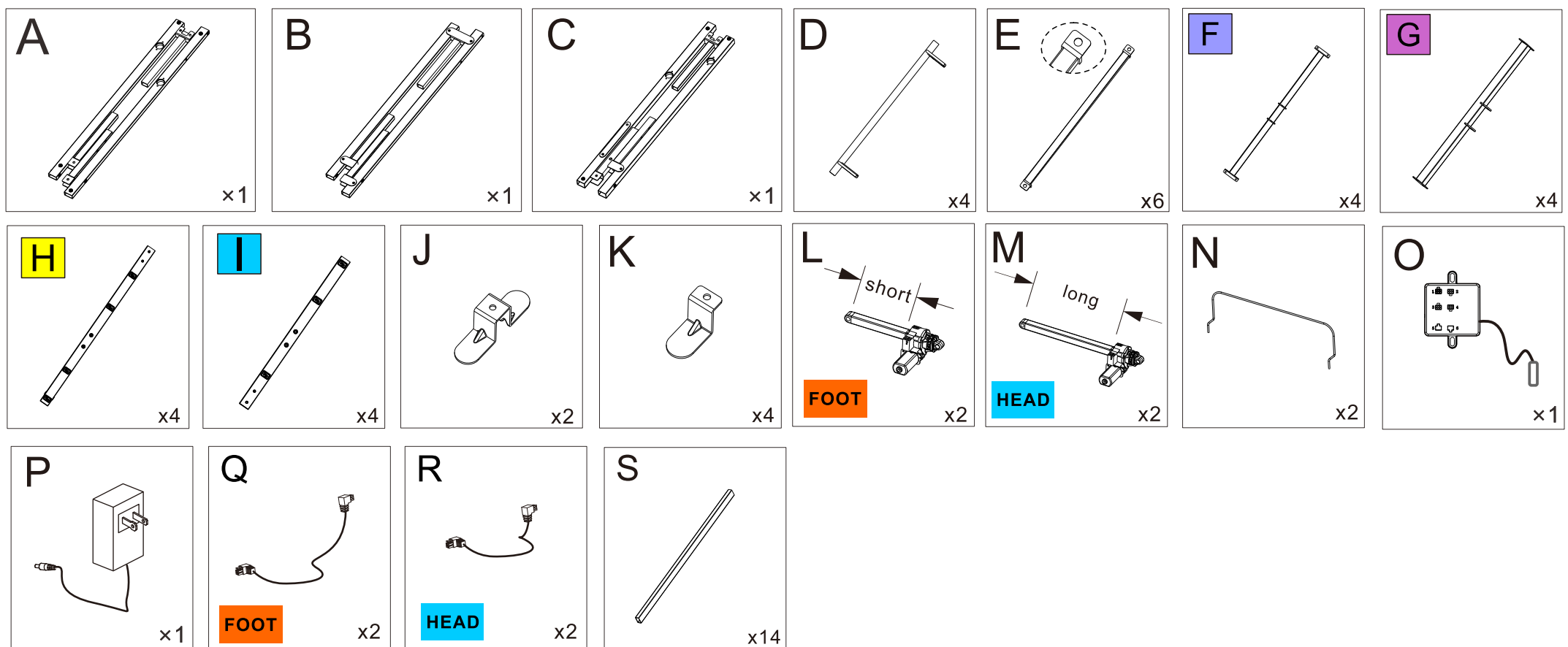


# Assembly Instruction

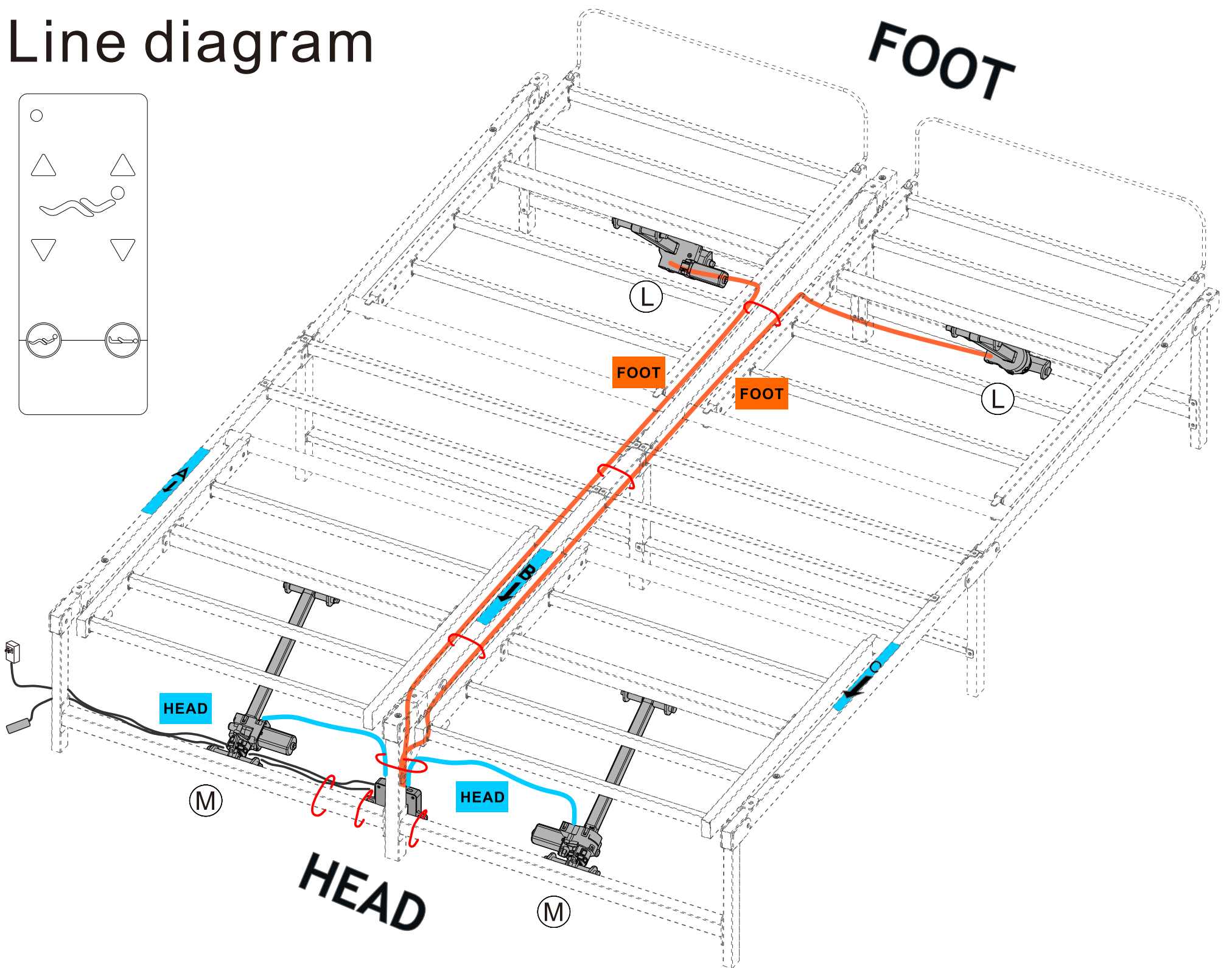
## • SCREW ACCESSORIES



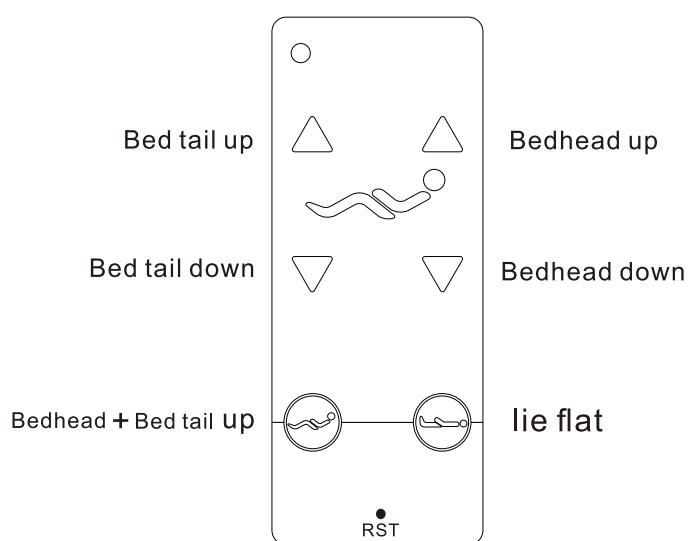
## • PARTS ACCESSORIES



# Line diagram



## Product Introduction



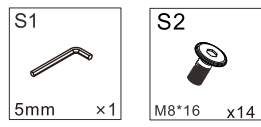
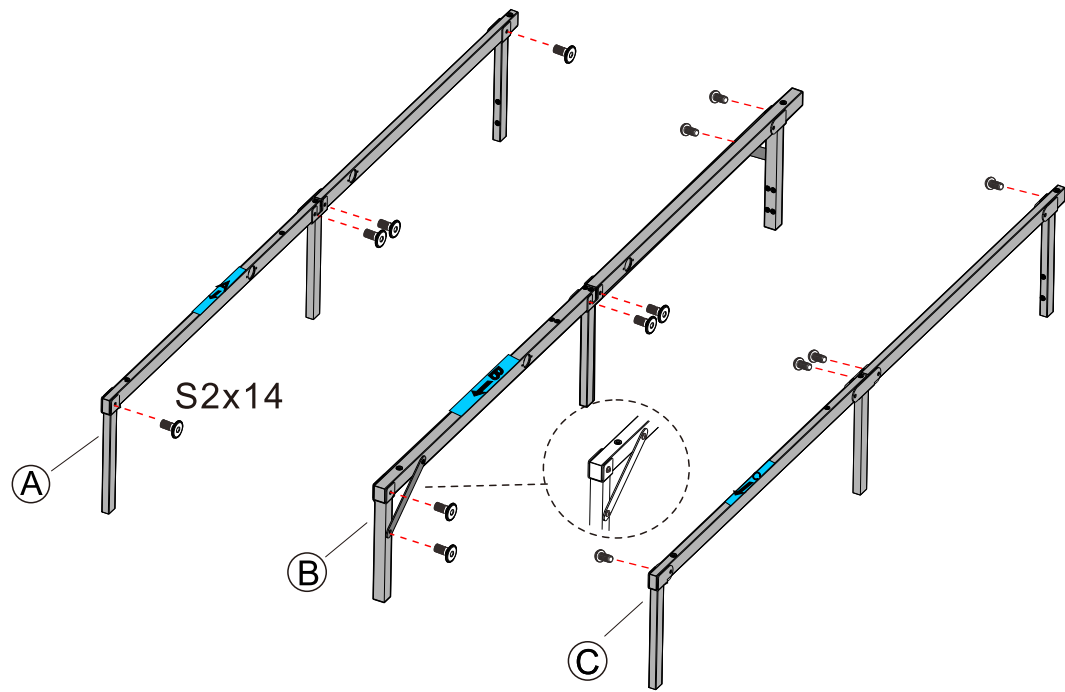
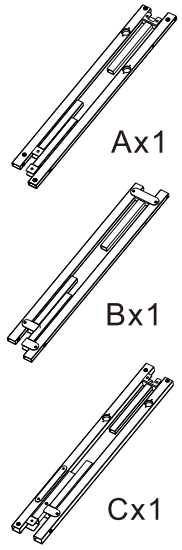
Double-clicking the button can continue the operation, and any key can interrupt the operation.

**RST**  
Reset

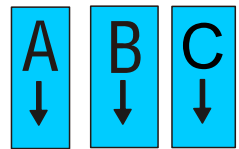
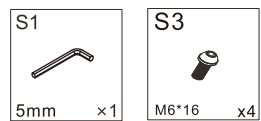
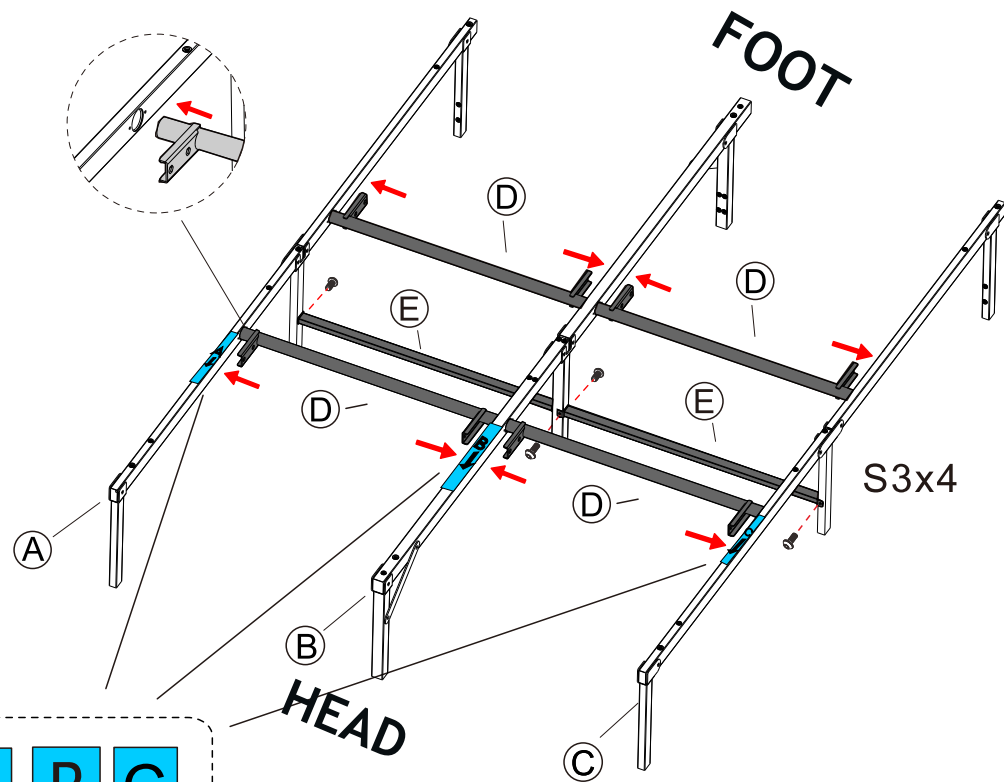
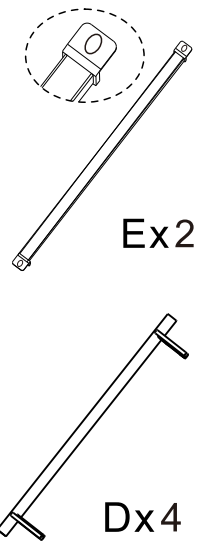
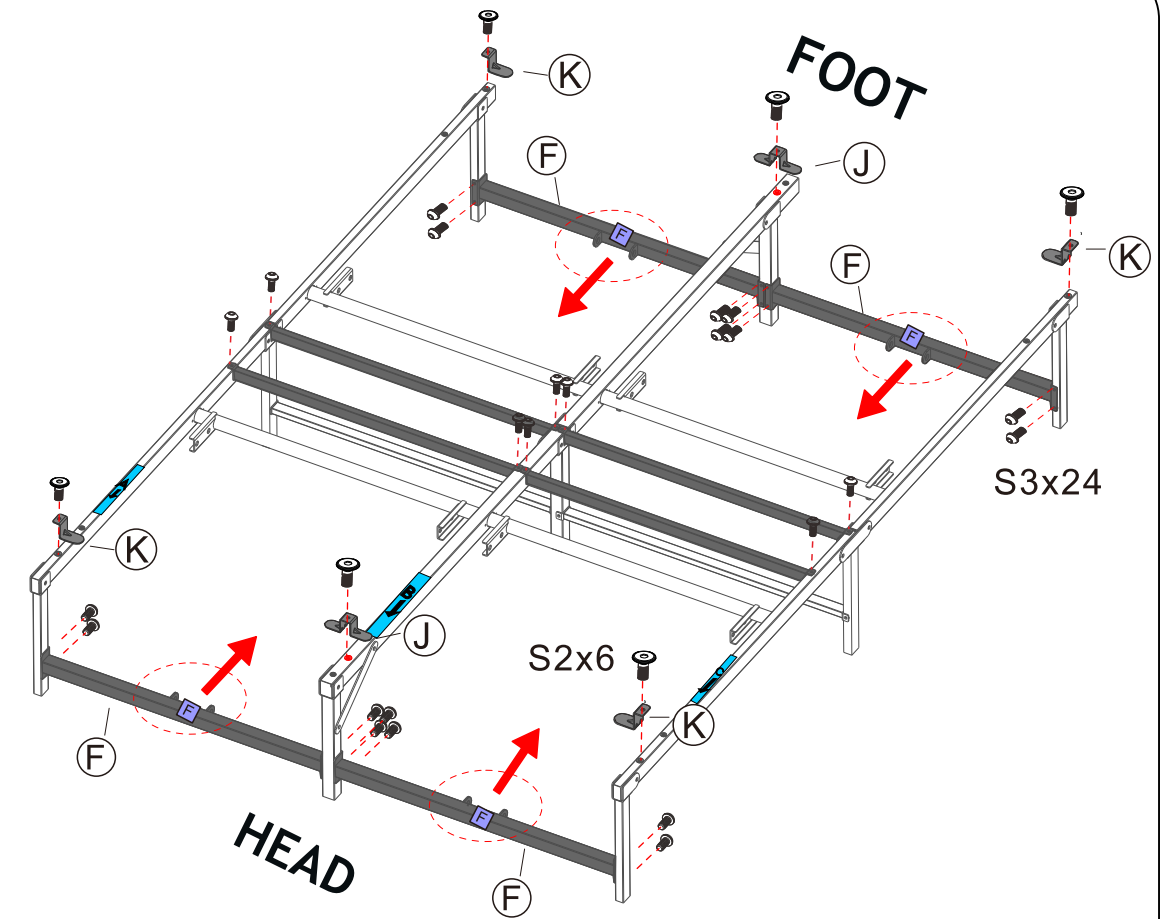
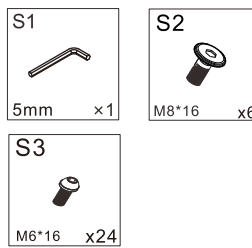
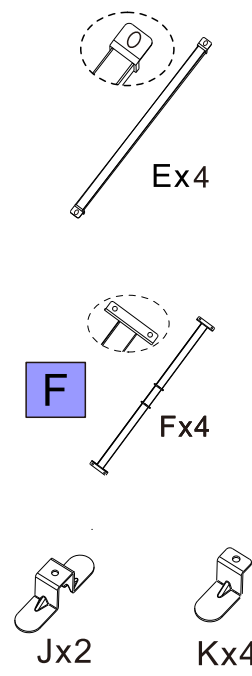
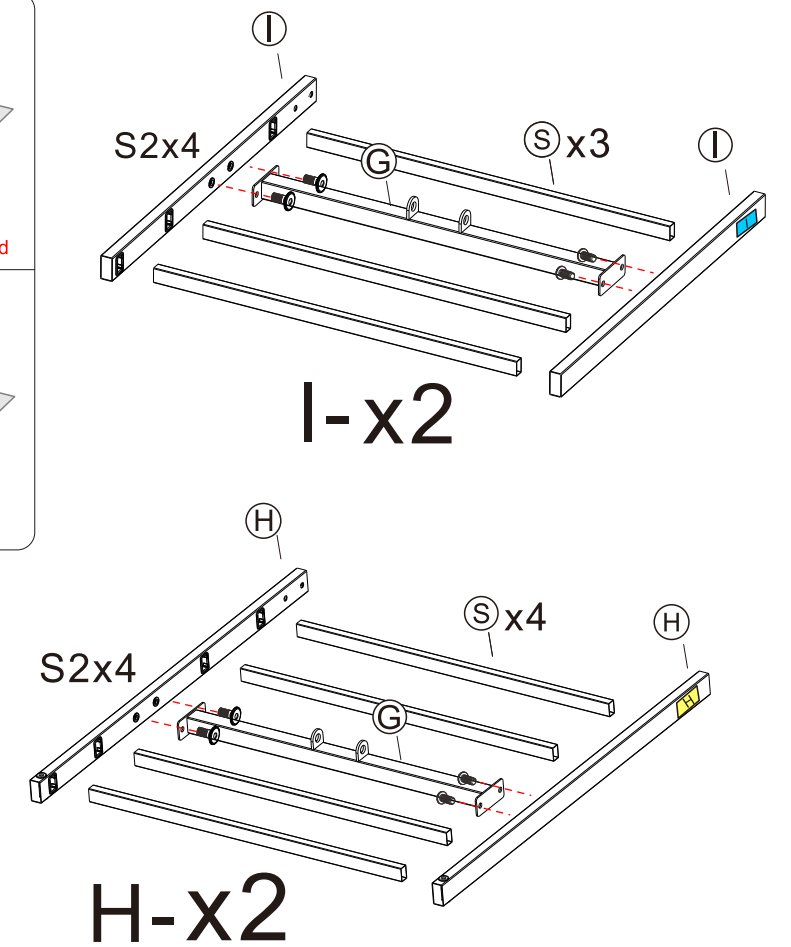
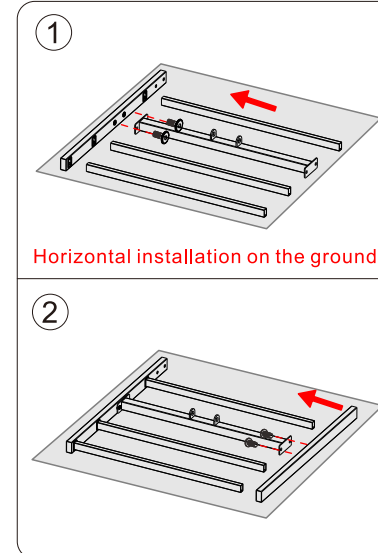
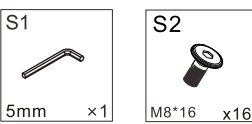
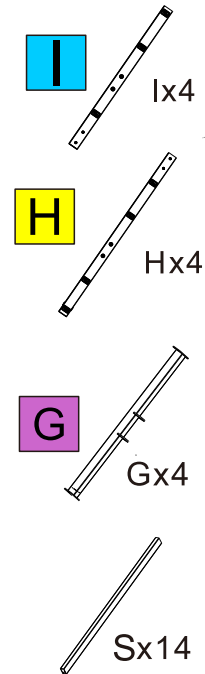
When the " RST " button is pressed, the head and tail of the bed will automatically operate. Wait for 1 minute before the operation stops. Reset completed

## Notes:

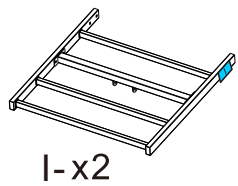
- ◆ Be sure to have two or more people assemble and flip it.
- ◆ In order to ensure the use effect, try to use a mattress that can be folded.
- ◆ Make sure all the pendants are not loose.
- ◆ Make sure there are no obstructions around the bed before use.
- ◆ Children under 12 years of age should be supervised by an adult.
- ◆ If there is a sudden power outage during use, please wait for the power to turn on and continue to use.
- ◆ The bed frame needs to be used with a mattress.

**1**

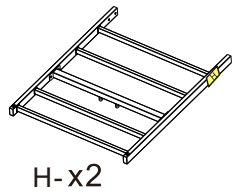
**!** After installation, please tighten all screws

**2****3****4**

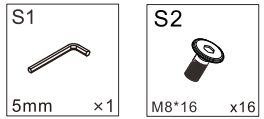
5



I-x2



H-x2



S1

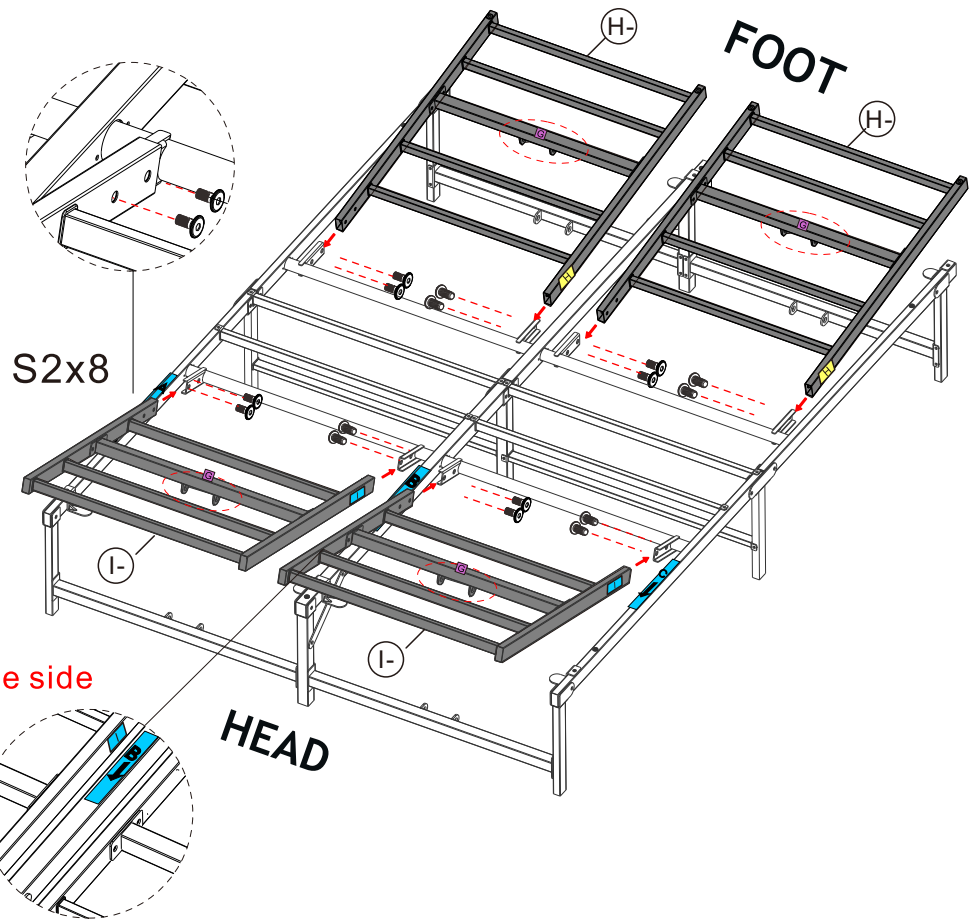
5mm

x1

S2

M8\*16

x16



same side

HEAD

FOOT

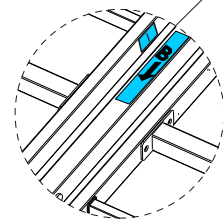
H

H

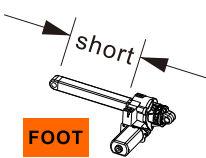
S2x8

I

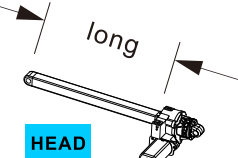
I



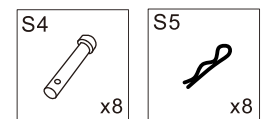
6



Lx2



Mx2



S4

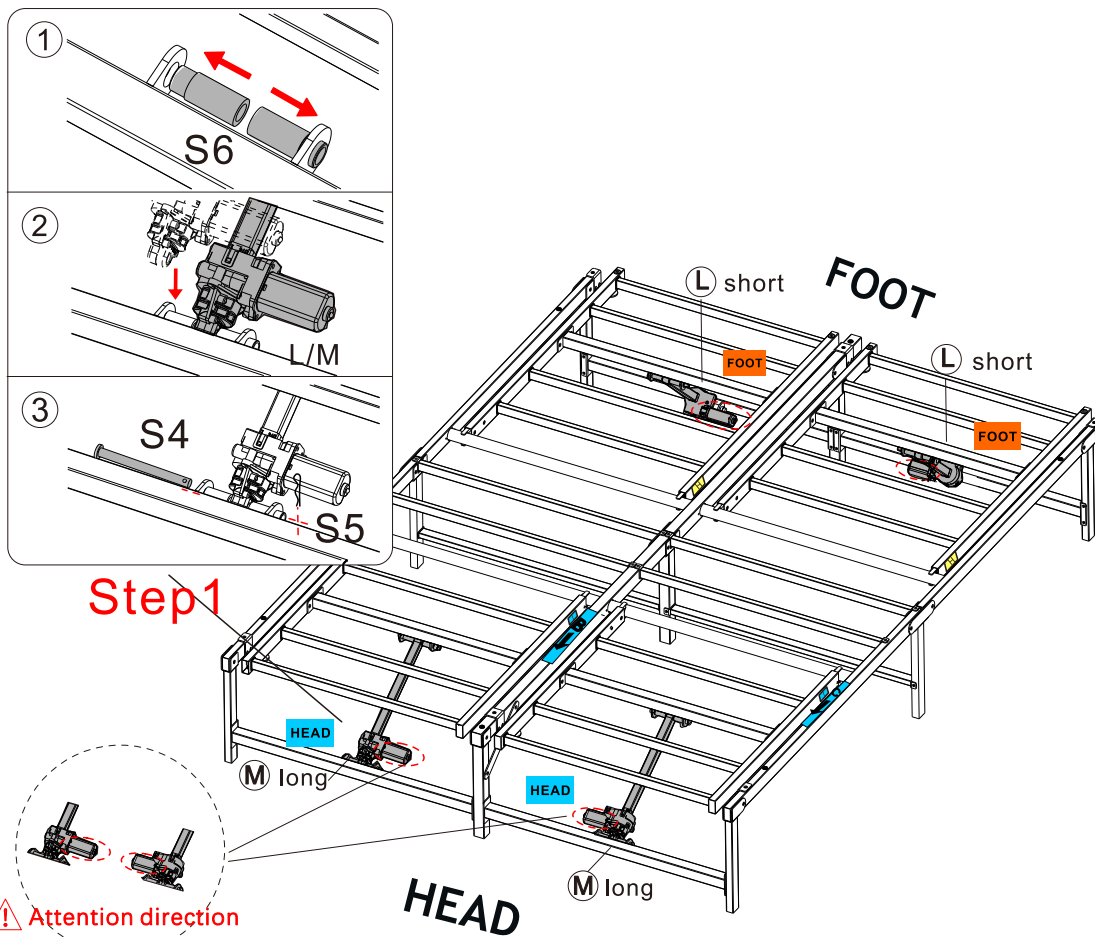
x8

S5

x8

S6

x16



Step 1

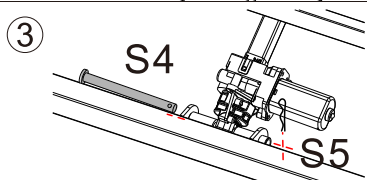
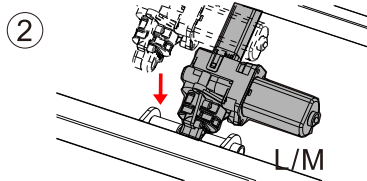
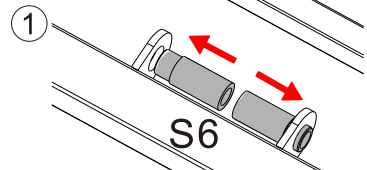
Attention direction

HEAD

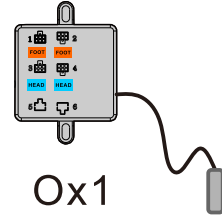
FOOT

L short

L short



7



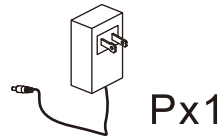
Ox1



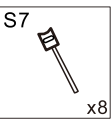
HEAD



FOOT

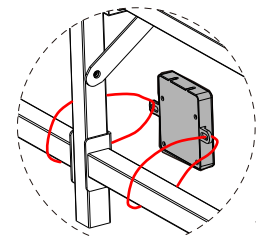
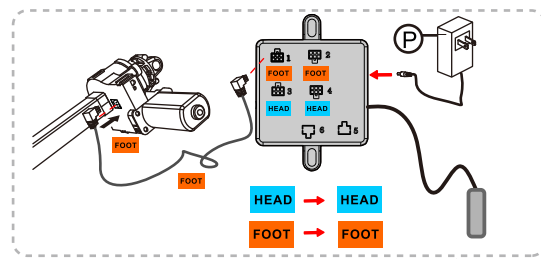


Px1

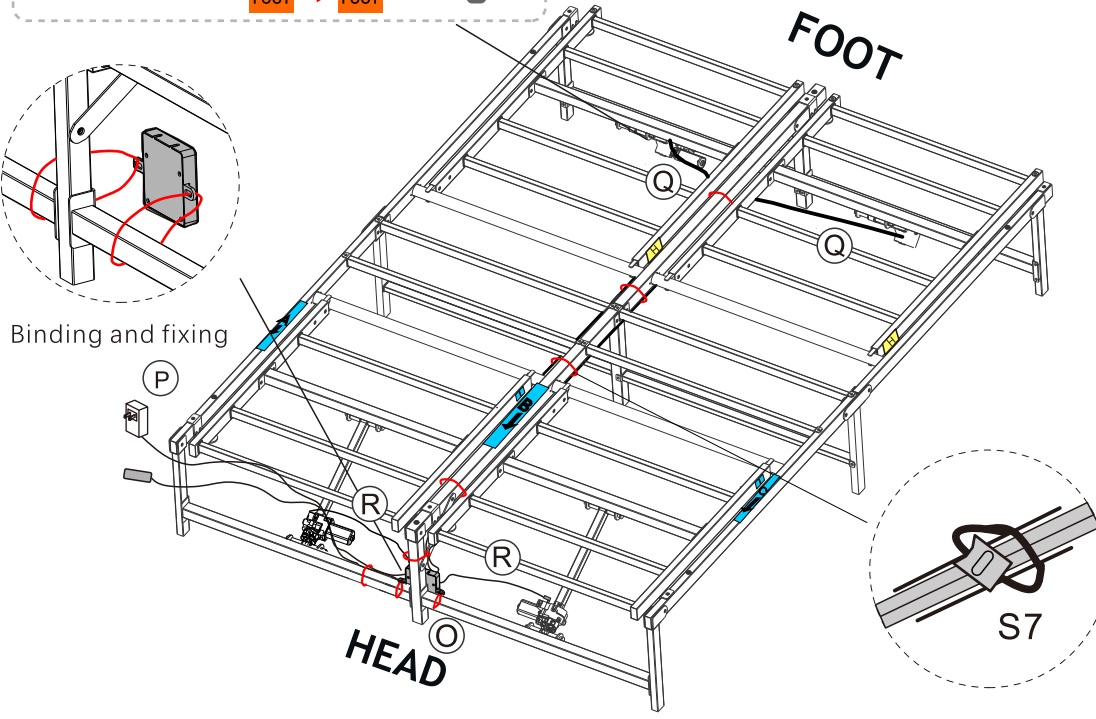


S7

x8



Binding and fixing

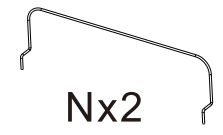


FOOT

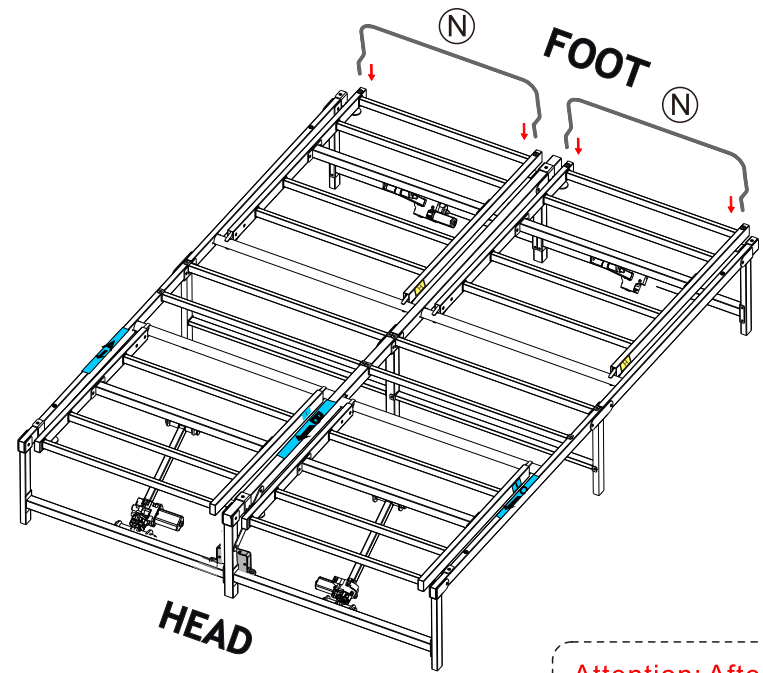
HEAD

S7

8

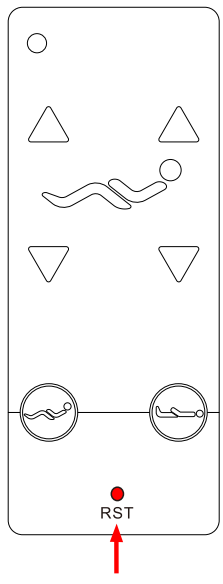


Nx2



FOOT

HEAD



RST

Attention: After installation is completed, please check if the connecting wires are properly plugged in, and then long press the reset button to start the electric bed. During the reset process, the electric bed will automatically run and wait for 1 minute until it stops running. Reset completed --Installation completed