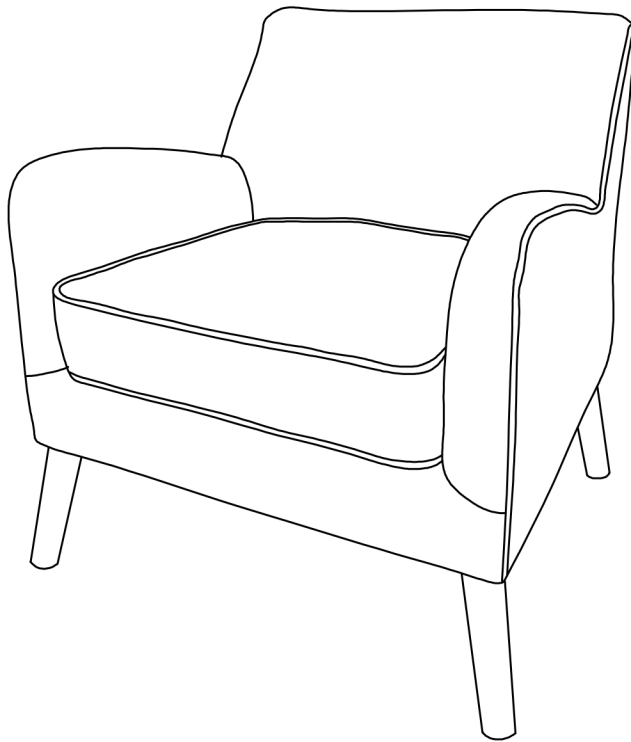


# *ASSEMBLY INSTRUCTIONS*



## *Accent Chair*

REVISION 0 : 05/28/2021  
REVISION 1: 07/18/2022

# ASSEMBLY INSTRUCTIONS

## ASSEMBLY TIPS:

1. Remove hardware from box and sort by size.
2. Please check to see that all hardware and parts are present prior start of assembly.
3. Please follow attached instructions in the same sequence as numbered to assure fast & easy assembly.



## WARNING!

1. Don't attempt to repair or modify parts that are broken or defective. Please contact the store immediately.
2. This product is for home use only and not intended for commercial establishment.

ASSEMBLY TIME

10 MINUTES

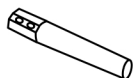
## PARTS IDENTIFICATION

A CHAIR



1PC

B LEG

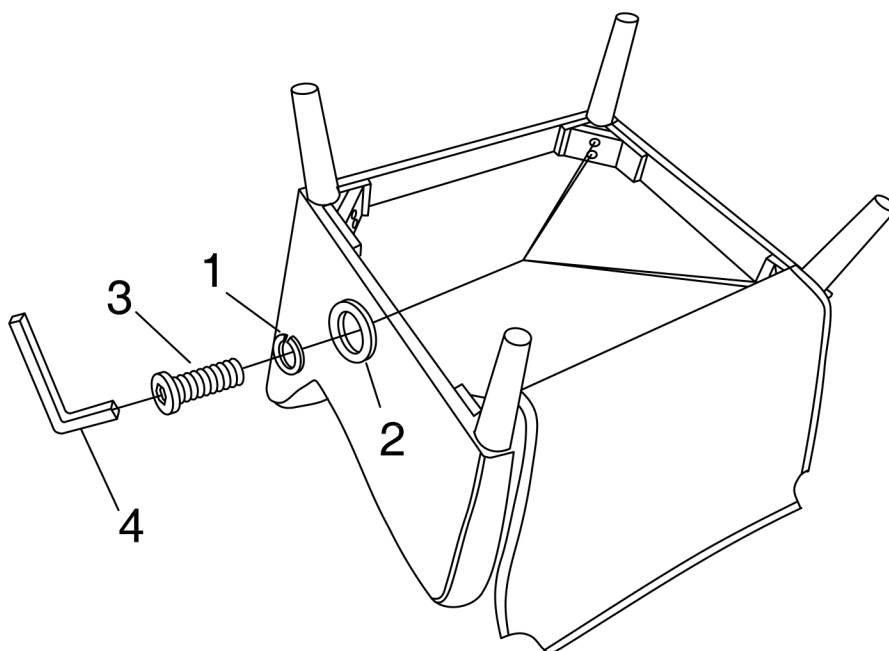


4PCS

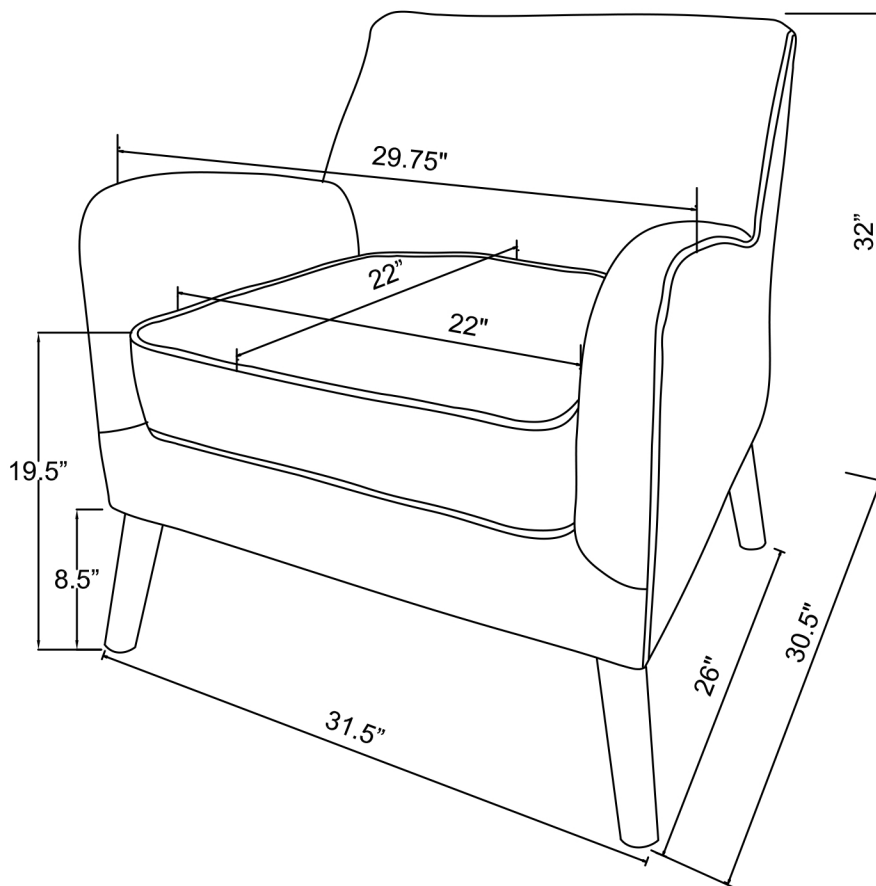
## Z HARDWARE IDENTIFICATION

NO	DESCRIPTION	FIGURE	Q' TY
1	ØLOCK WASHER 5/16"		8PCS
2	ØFLAT WASHER 5/16"		8PCS
3	ØBOLT 5/16X2-1/4"		8PCS
4	ØALLEN KEY 5mm		1PC

## STEP: 1



# ASSEMBLY INSTRUCTIONS



Note: Dimension tolerance  $\pm 5\%$