

INSTRUCTION MANUAL

©2025-2030 Eclatara All rights reserved

NS0563



ECLATARA

Eclatara is committed to creating a noble, warm, and artistic home environment for customers. Each product embodies the love of life and the pursuit of beauty. We focus on the user experience, the beauty of the product, and the artistic high-end design. Every detail reflects our unremitting pursuit of excellent quality and exquisite craftsmanship.

makes life more comfortable

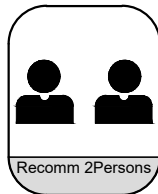
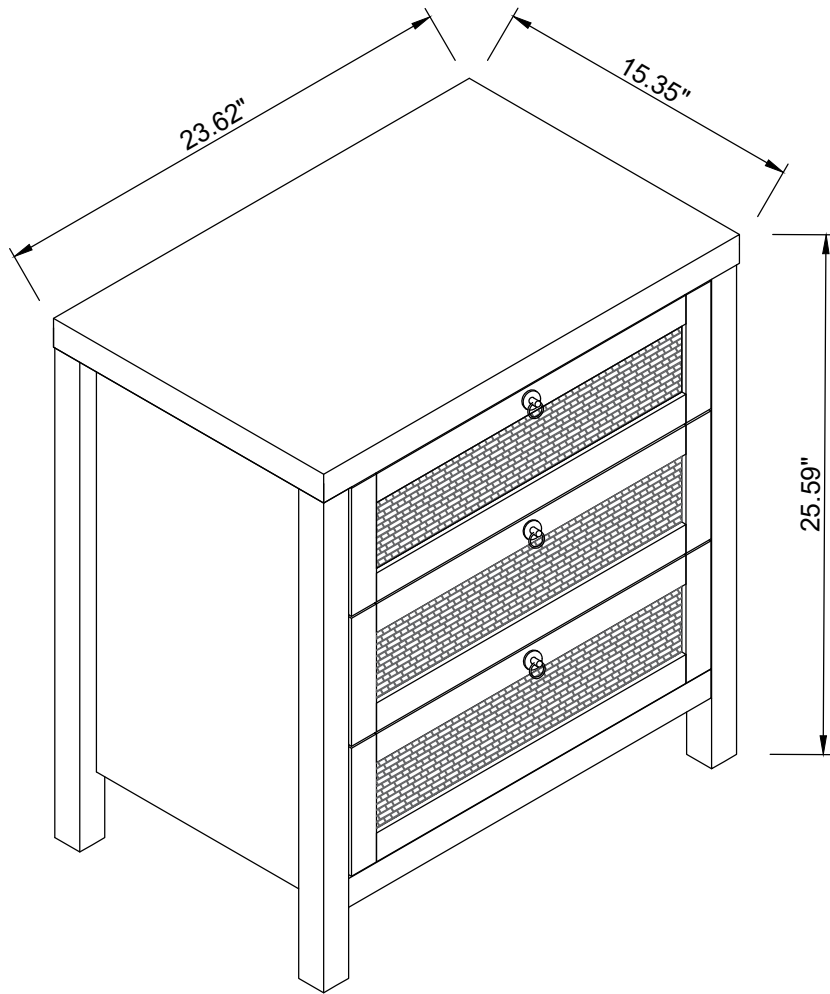
NOTES

- You need a helper to finish the installation.
- Don't over-tighten the screws until all the parts are in place. Failure to follow the instructions may cause misalignment of the screws.
- DO NOT let children climb the product.
- To avoid suffocation danger, keep small parts and package materials away from children.
- Adult assembly required. Keep children away during the installation.
- Children should not use it without parents' supervision. You could use "corner guard" to protect children from getting hurt by the product's edges.
- If any parts were missing, broken or wrong delivered, contact us immediately via Service@Eclatara.shop, we are here to help you.

24 Hours service email

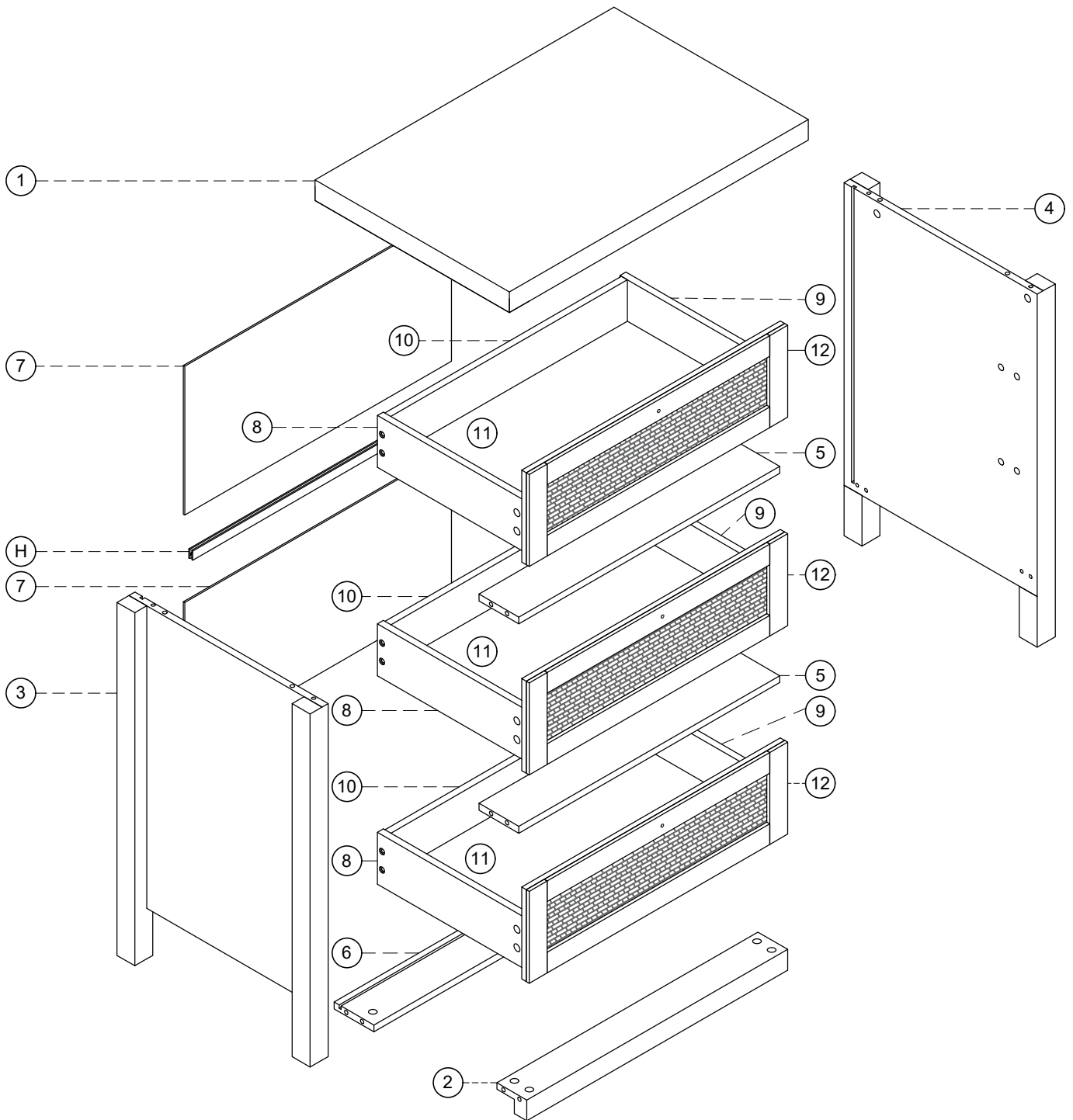


Service@Eclatara.shop



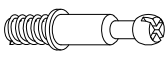
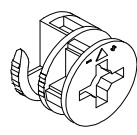
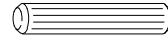
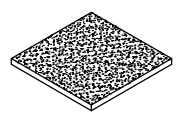
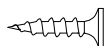
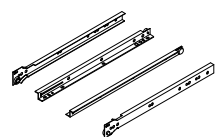


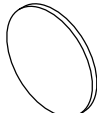
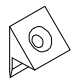
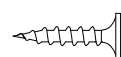

PARTS LIST

Parts

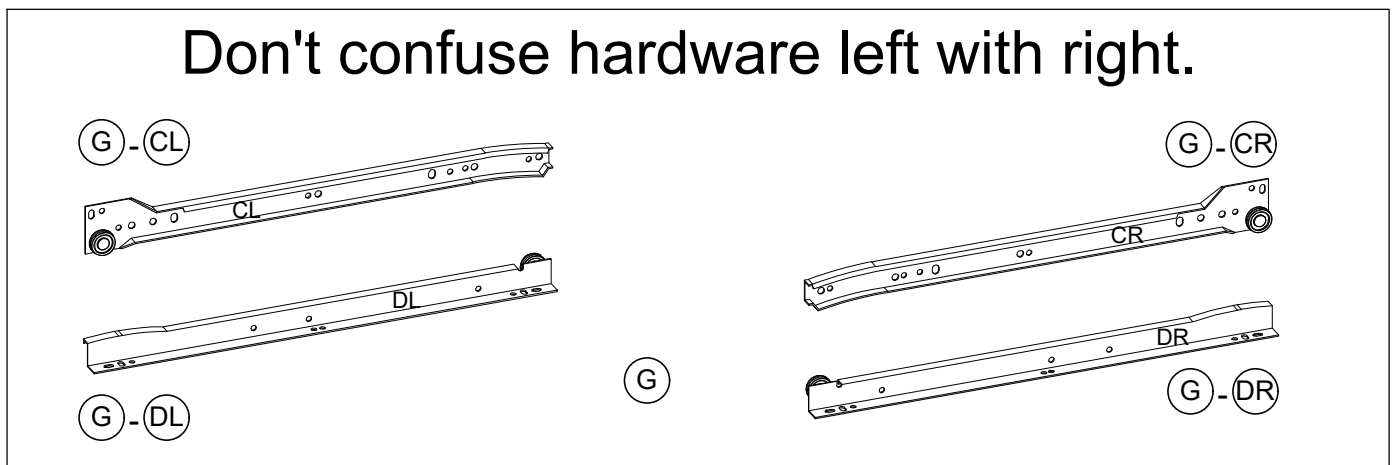


PARTS LIST


Hardware

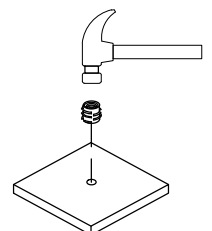
 (A) 30 pcs	 (B) 30 pcs	 (C) 6 pcs	 (E) 4 pcs
 (F) 36 pcs	 (G) 3 pcs	 (H) -1 3 pcs	 (H) -2 3 pcs
 (J) 12 pcs	 (K) -1 10 pcs	 (K) -2 10 pcs	 (L) 12 pcs

Don't confuse hardware left with right.



Value-added service packages

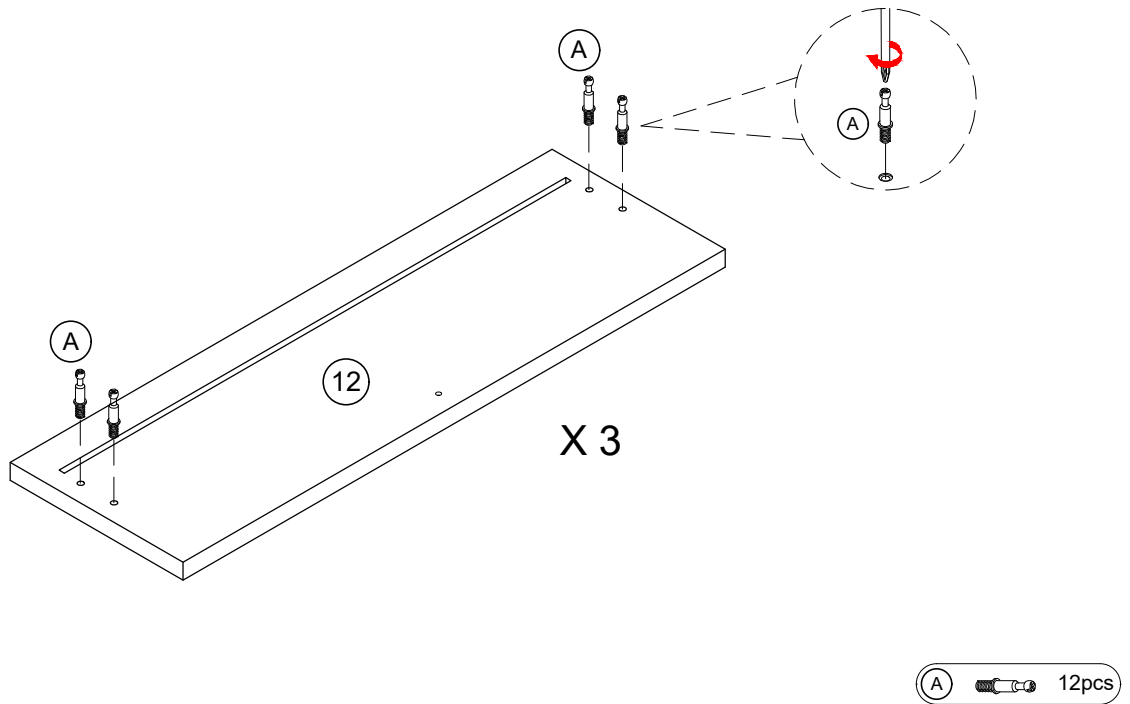
- (A) +2 pcs
- (B) +2 pcs
- (C) +1 pcs
- (E) +1 pcs
- (F) +2 pcs
- (J) +2 pcs
- (K) +2 pcs
- (L) +2 pcs
-  +5 pcs



If your order is double pcs package, the hardwares above will be double qty as well.

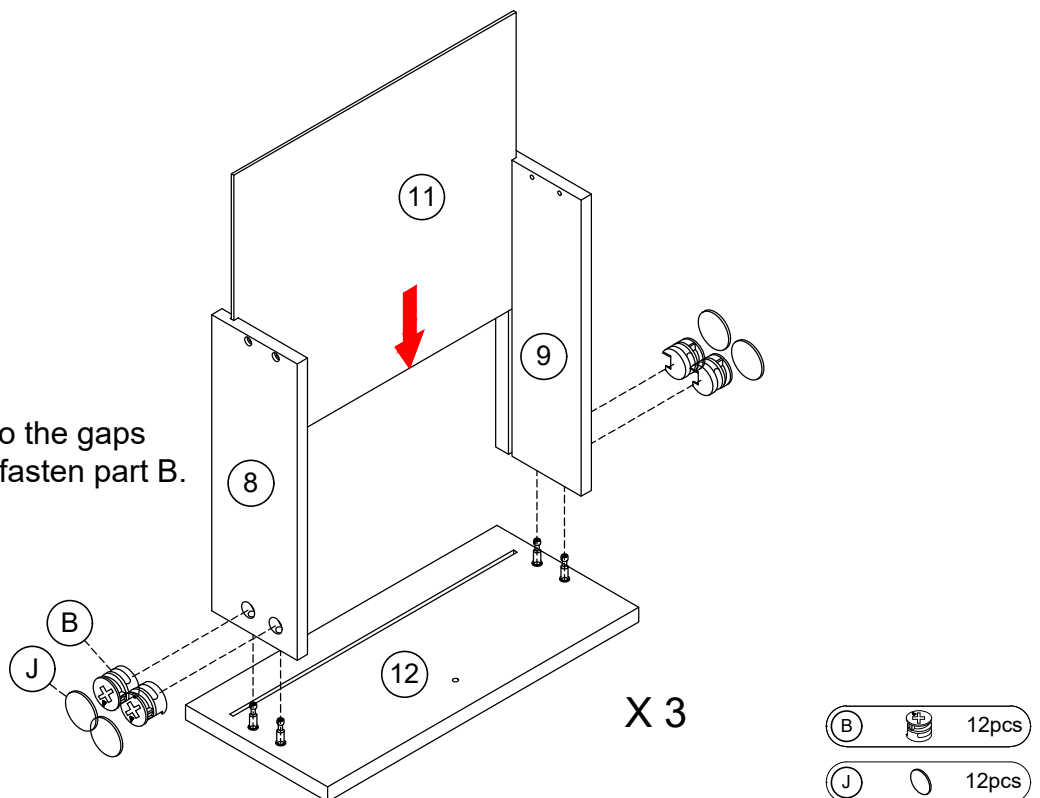
INSTALLATION STEPS

Step1



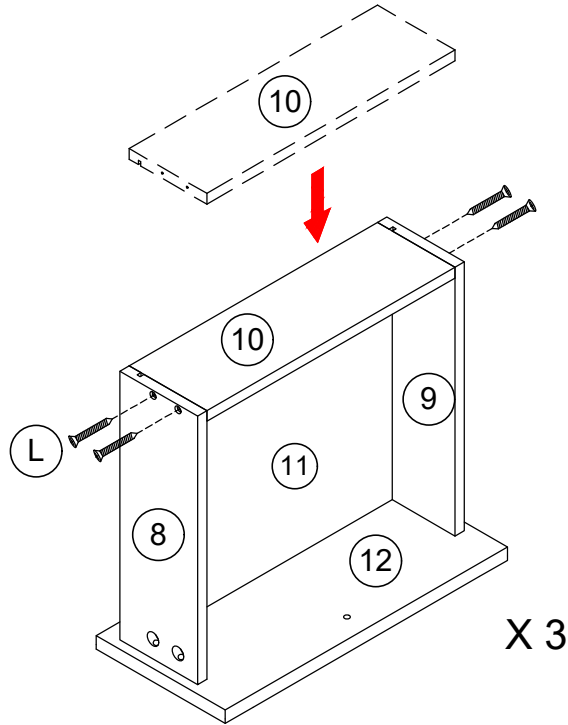
Step2

Fix board 11 into the gaps well firstly, then fasten part B.



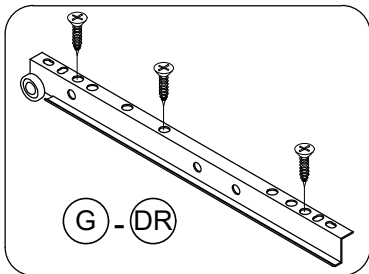
INSTALLATION STEPS

Step3

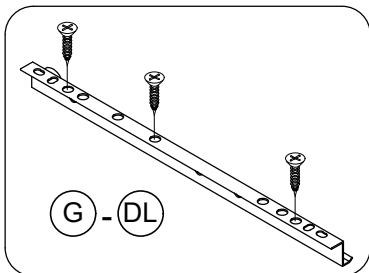


(L) ← 12pcs

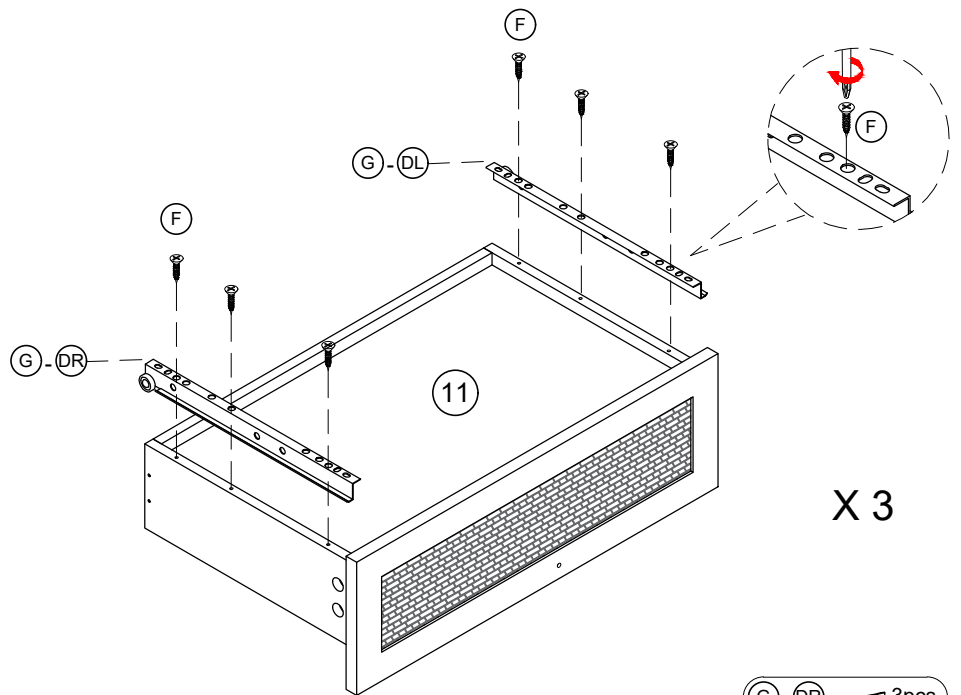
Step4



(G-DR)



(G-DL)



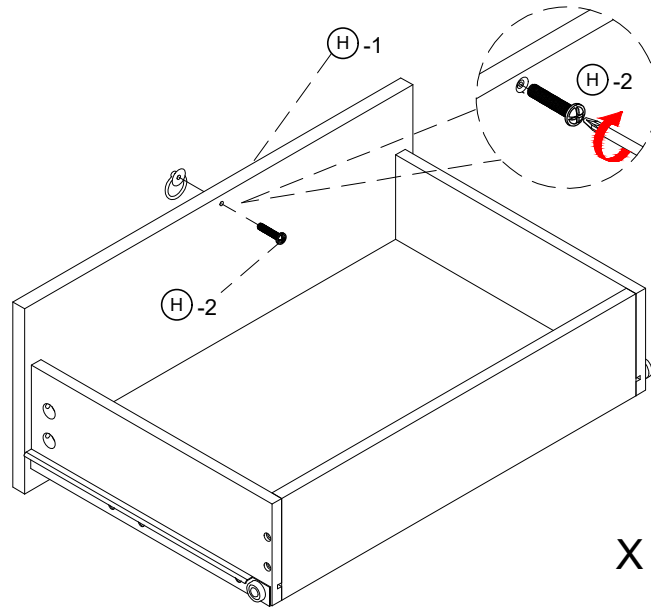
(F) ← 18pcs

(G-DR) ← 3pcs

(G-DL) ← 3pcs

INSTALLATION STEPS

Step5

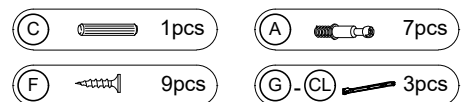
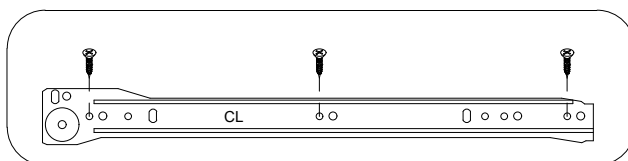
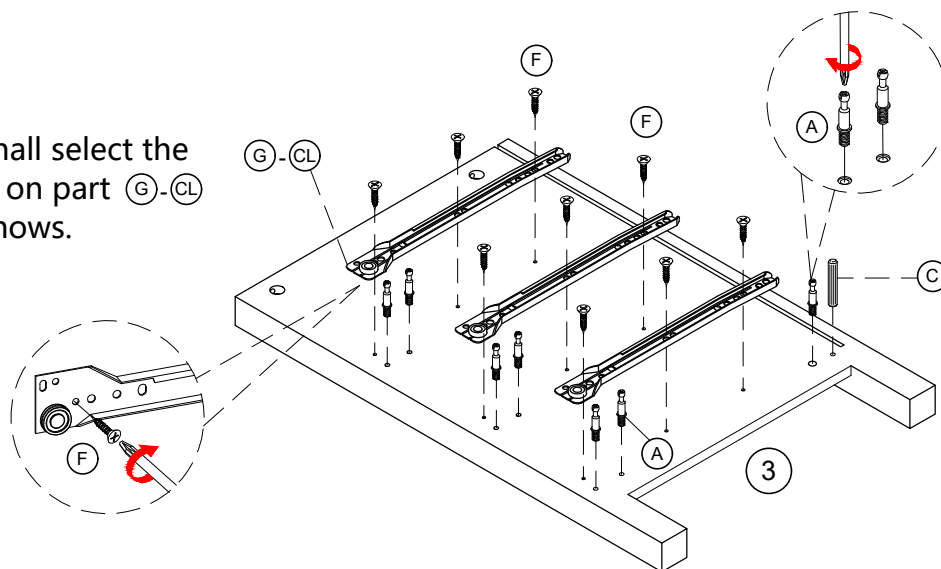


X 3



Step6

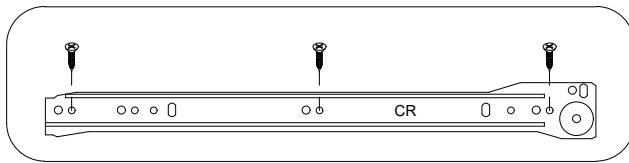
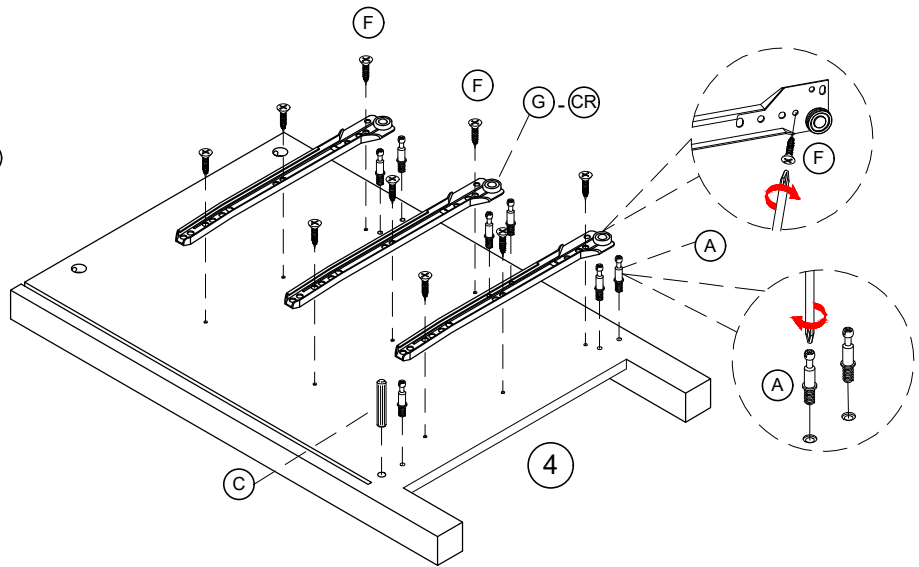
The screws shall select the correct holes on part G-CL as drawing shows.



INSTALLATION STEPS

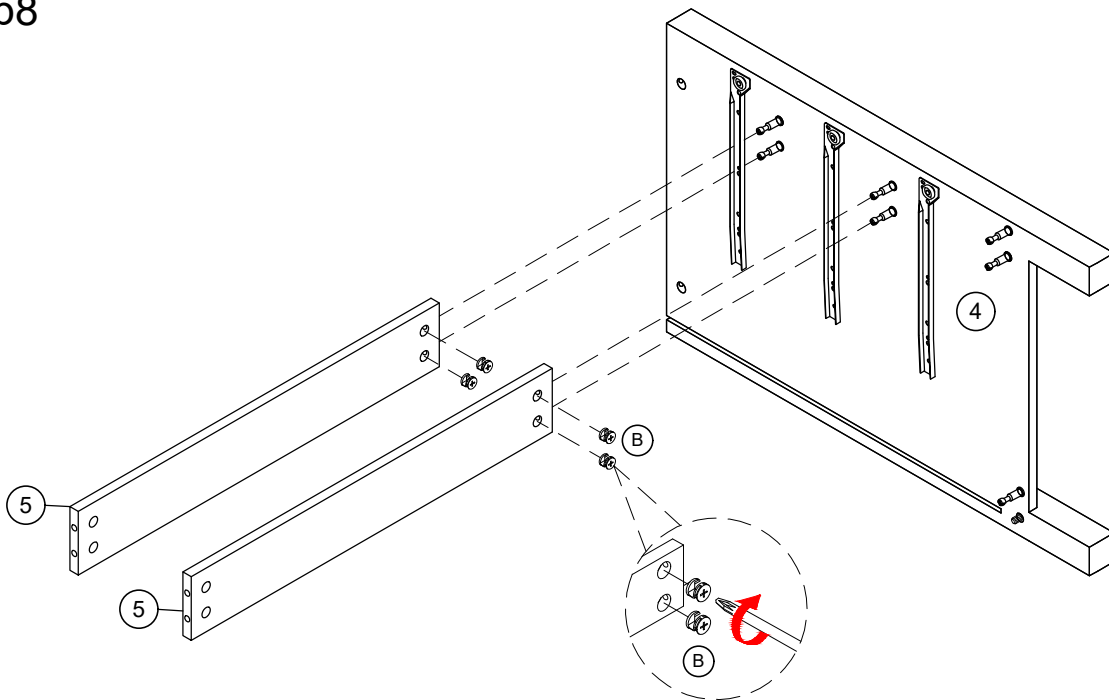
Step7

The screws shall select the correct holes on part (G-CR) as drawing shows.



- (C) 1pcs
- (A) 7pcs
- (F) 9pcs
- (G-CR) 3pcs

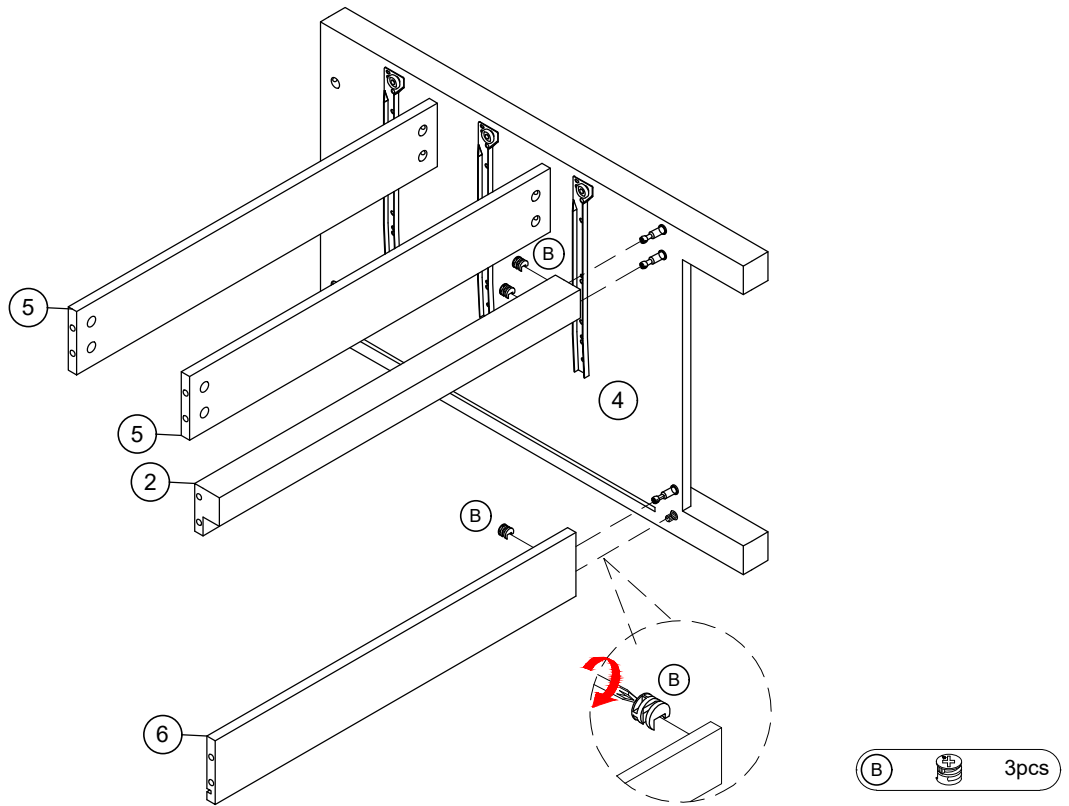
Step8



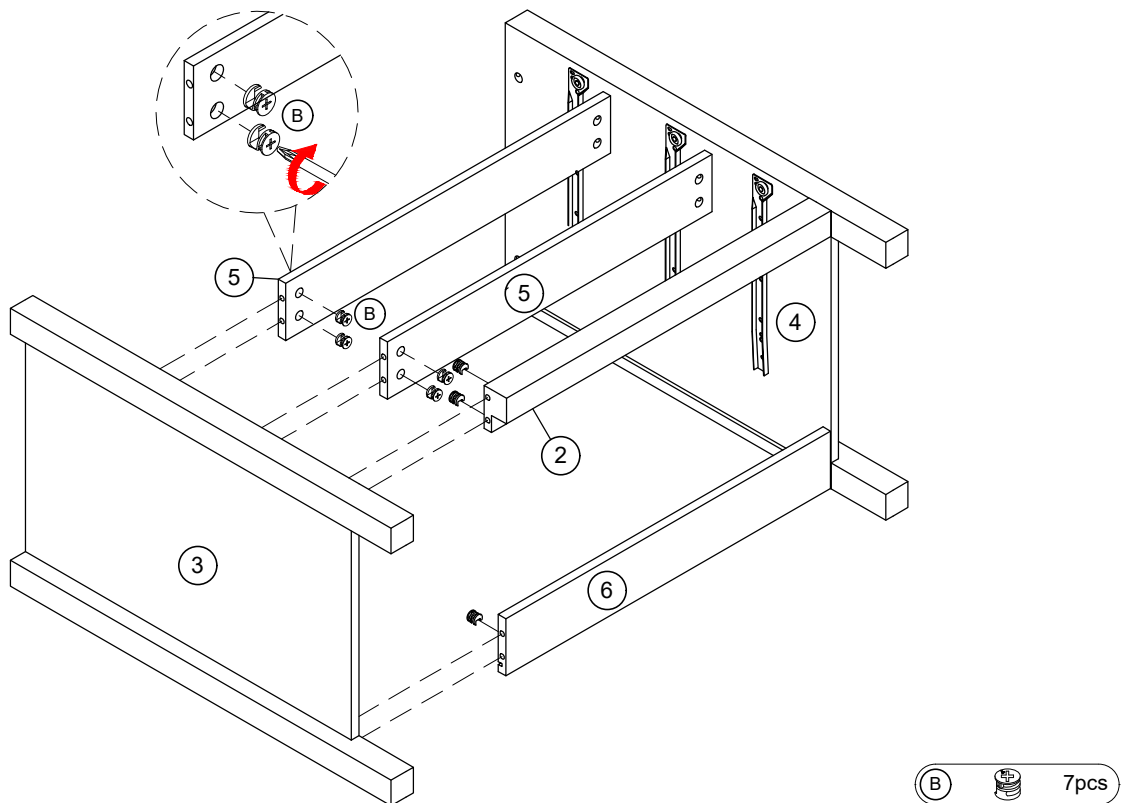
- (B) 4pcs

INSTALLATION STEPS

Step9

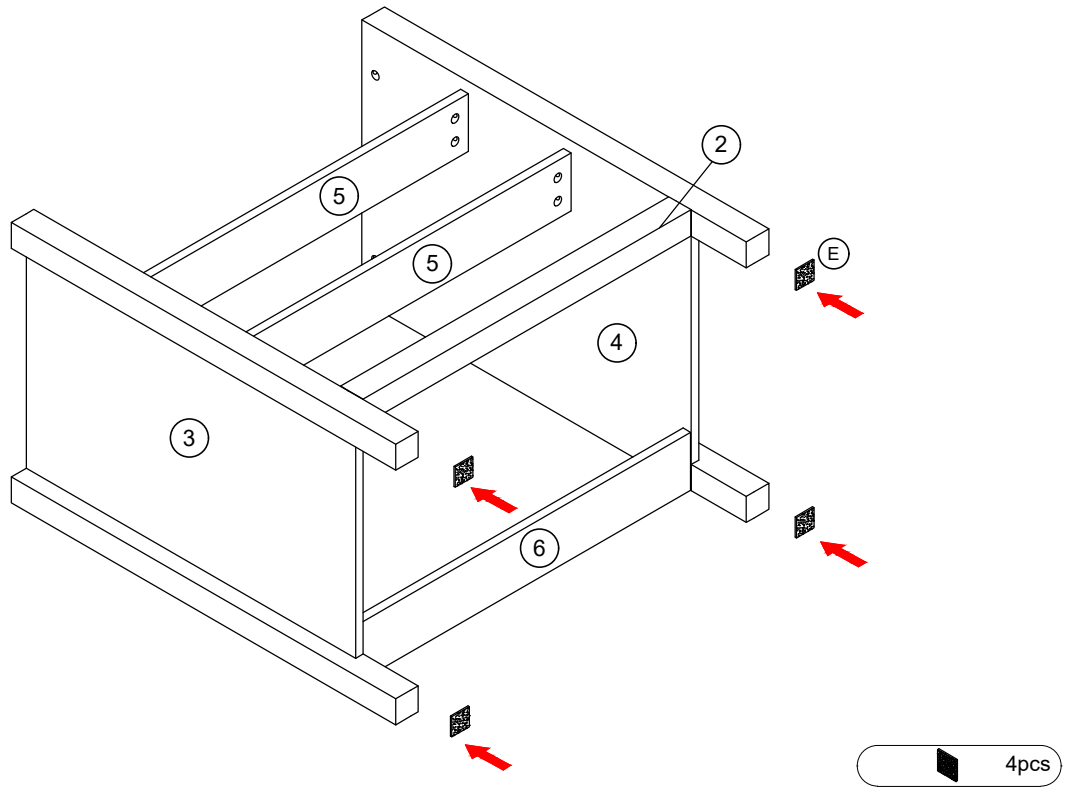


Step10

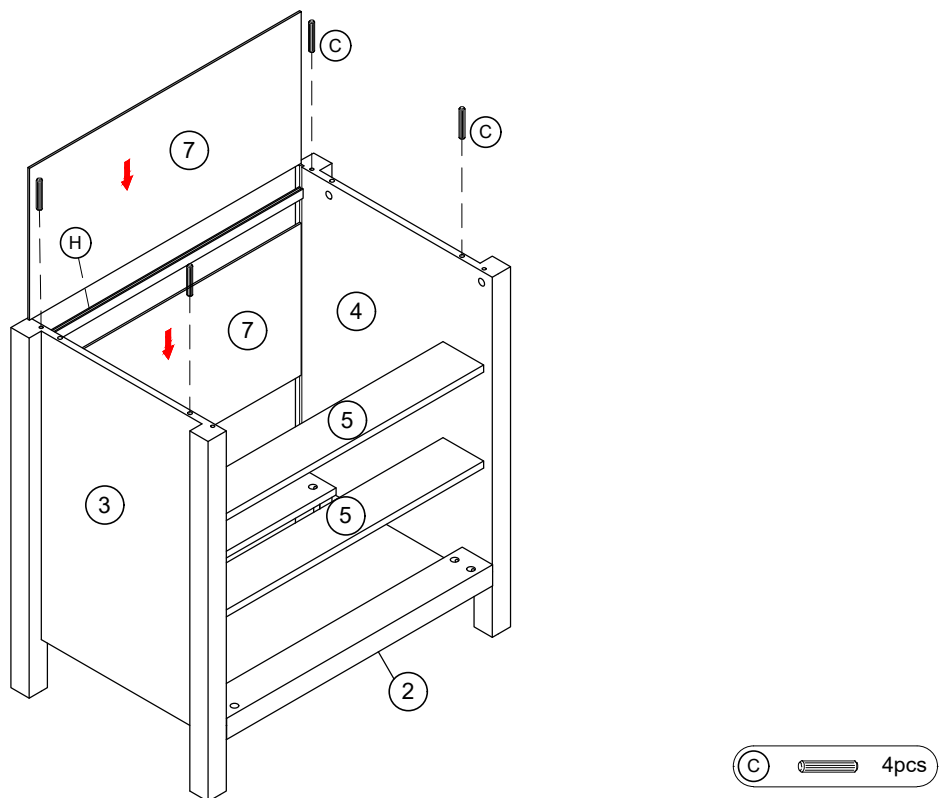


INSTALLATION STEPS

Step11

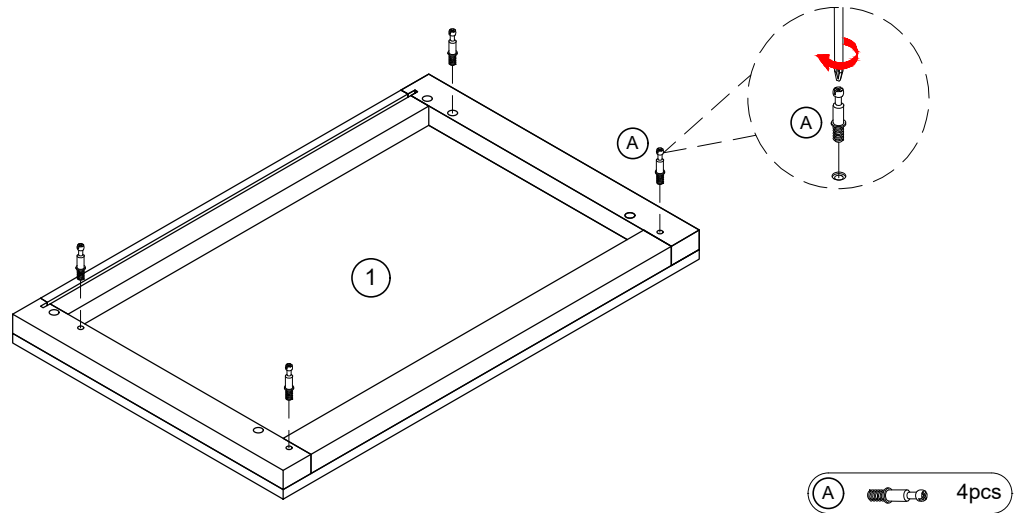


Step12



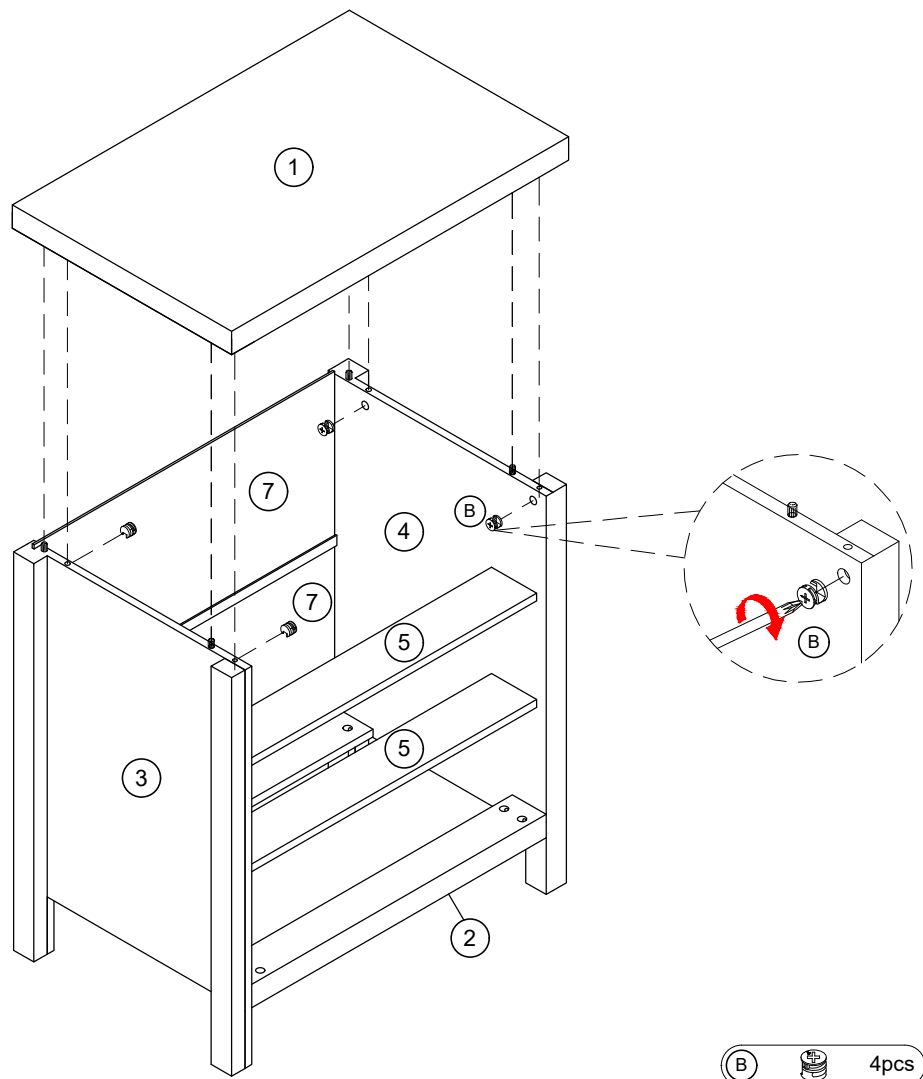
INSTALLATION STEPS

Step13



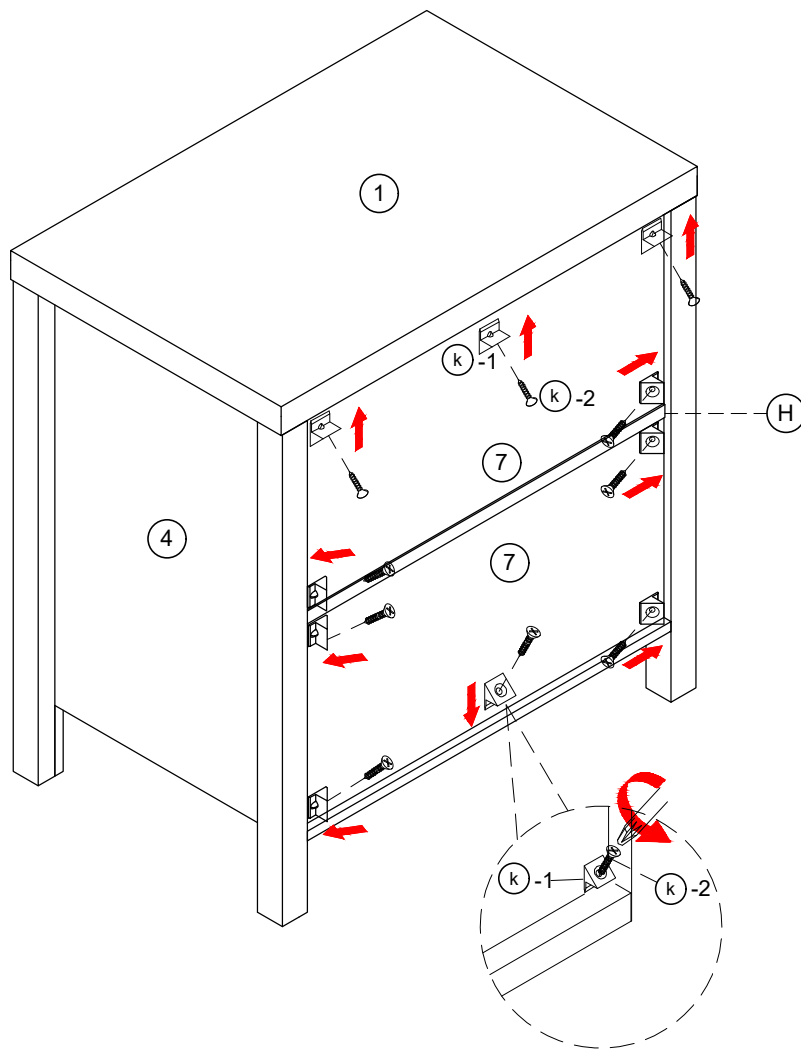
Step14

Manually balance base plate ① and achieve left, right, front, and rear symmetry before locking it.

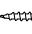


INSTALLATION STEPS

Step15

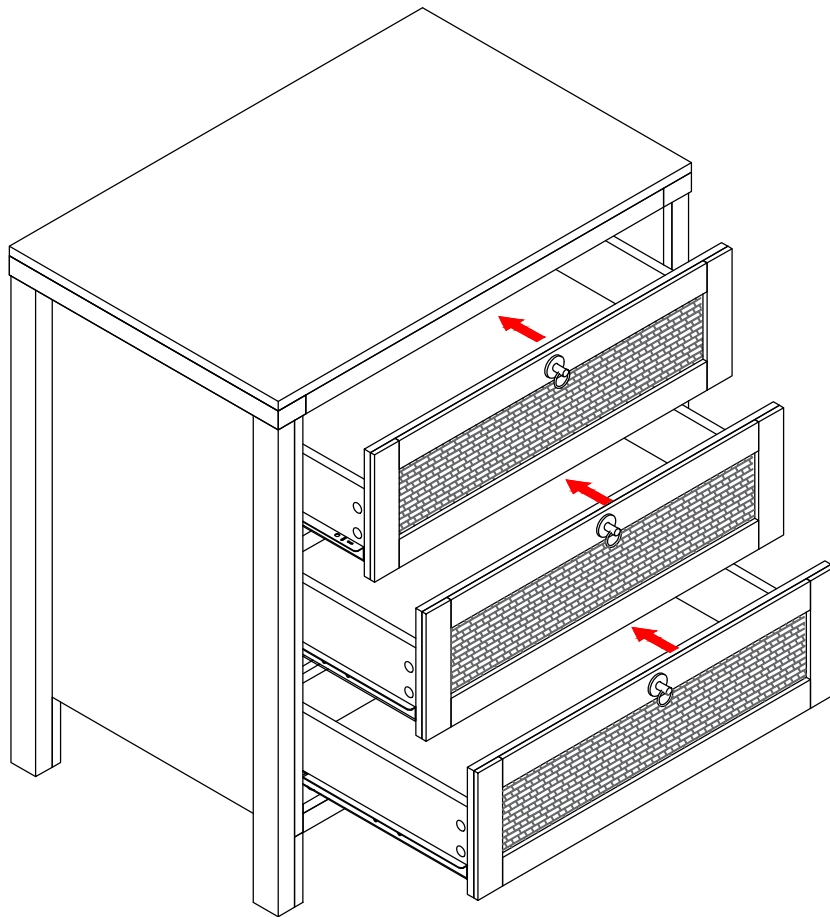


(K)-1  10pcs

(K)-2  10pcs

INSTALLATION STEPS

Step16



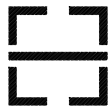
Final Assembly!

HELP CENTER

**Please contact us first
if you have any problem!**



Service@Eclatara.shop



Installation Video

<https://youtu.be/mR5ivFahXZk>

If you have any concerns, please don't hesitate to email us. We assure you that we will resolve your problems within 24 hours.