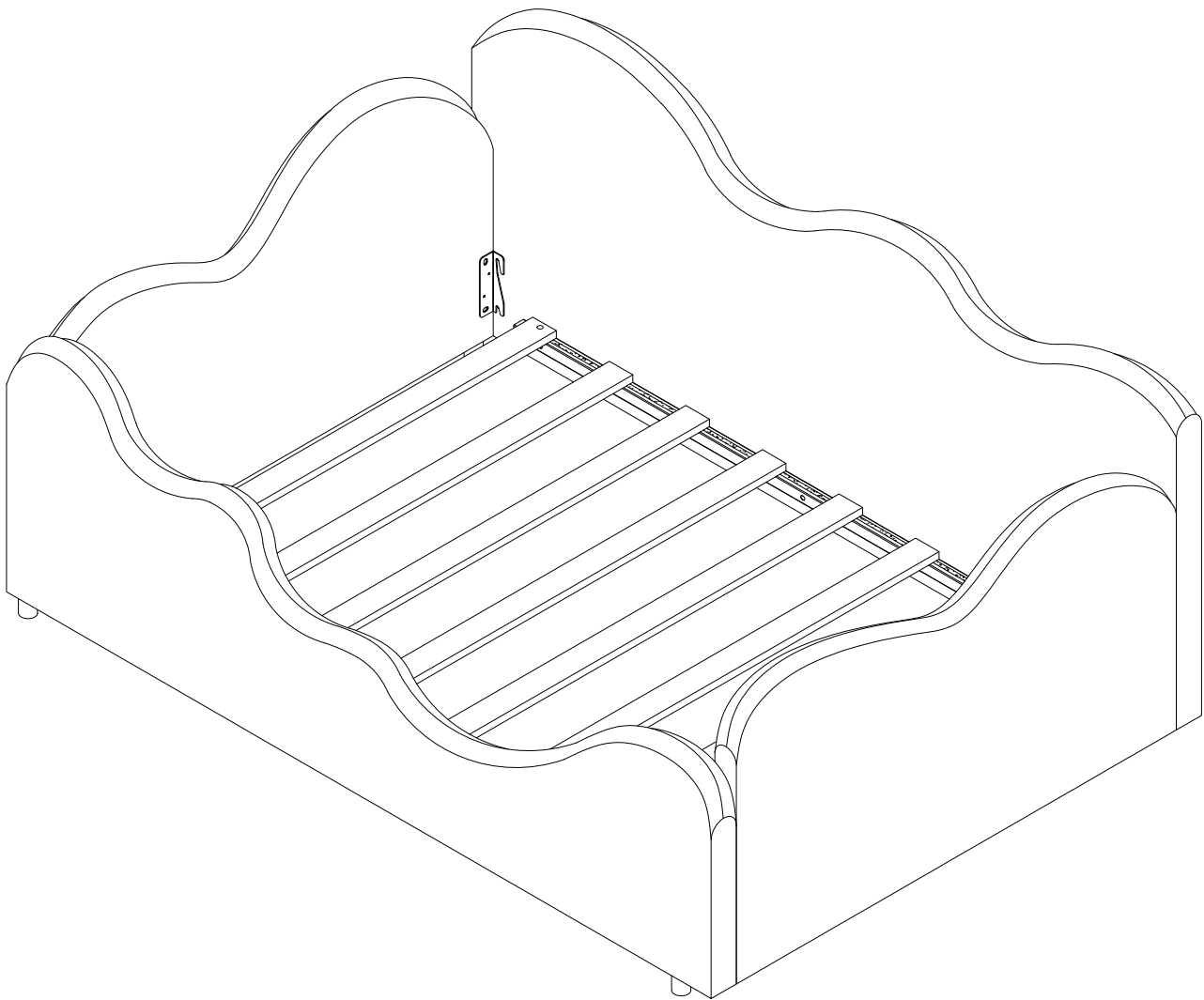


# Installation Instruction



## BED SAFETY WARNINGS

### **WARNING - STRANGULATION HAZARD**

NEVER place bed near windows where cords from blinds or drapes may strangle a child.

NEVER suspend strings over bed.

NEVER place items with a string, cord, or ribbon, such as hood strings or pacifier cords, around a child's neck. These items may catch on bed parts.

### **WARNING - ENTRAPMENT HAZARD**

INFANTS HAVE DIED IN TODDLER BEDS FROM ENTRAPMENT.

Openings in and between bed parts can entrap head and neck of a small child.

NEVER use bed with children younger than 15 months.

ALWAYS follow assembly instructions.

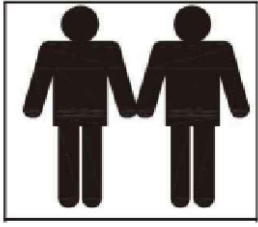
### **CAUTION - ENTRAPMENT HAZARD**

To avoid dangerous gaps, any mattress used in this bed shall be a full-size crib mattress at least 51 ¼ in.(1310 mm) in length, 27 ¼ in. (690mm) in width, and a max thickness of 5 in.(127mm).



Note:

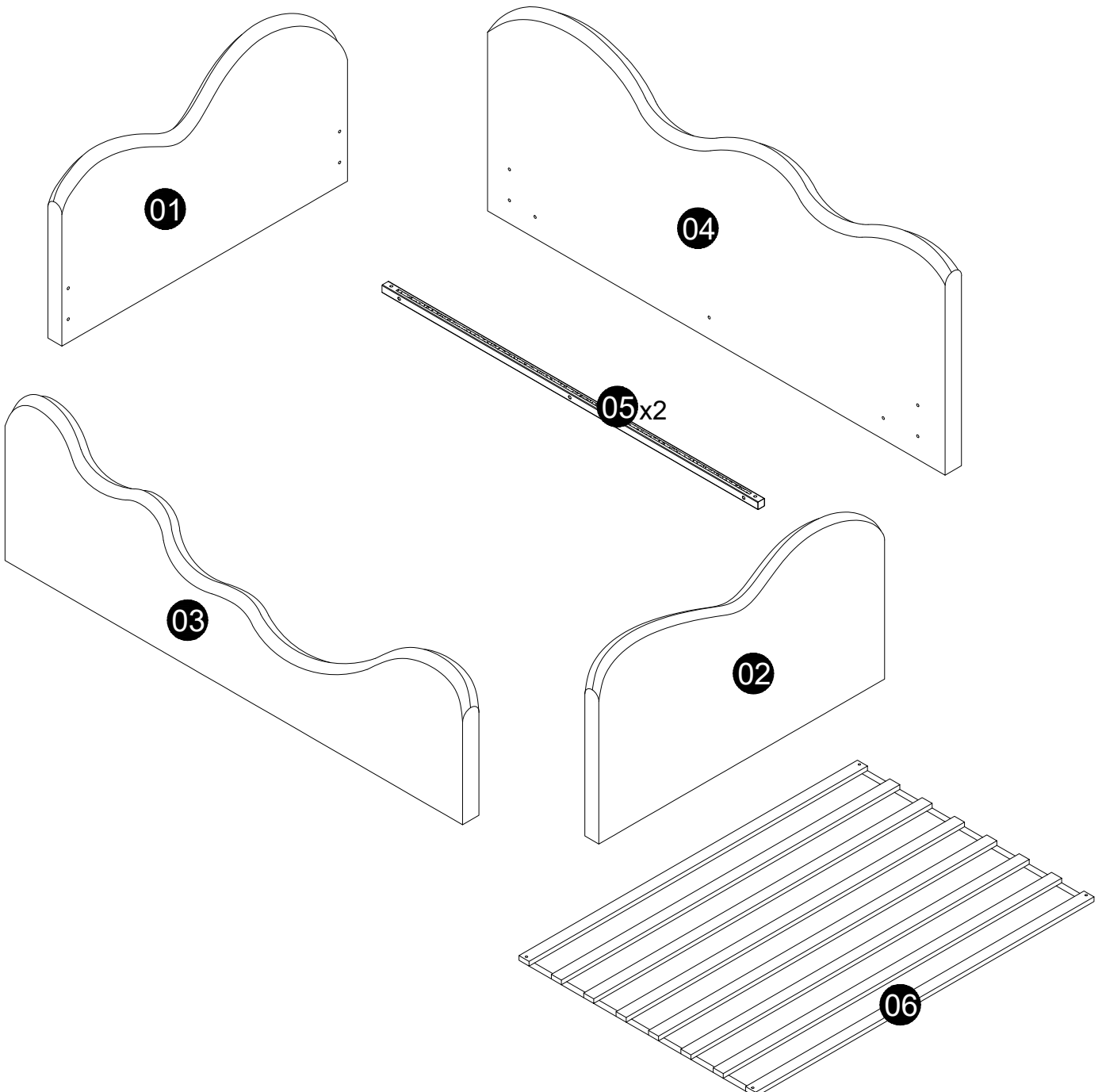
1. Should be assembled on flat ground to keep balance.
2. Before completing the installation, do not tighten the screws.



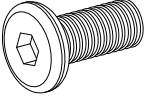
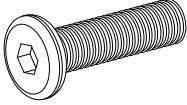
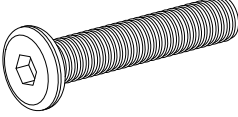
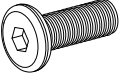
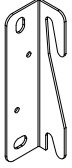


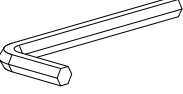
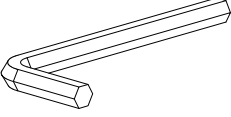
It needs at least two people  
Before starting to install.



Before starting the  
assembly, you must  
read the whole  
manual and follow  
the instructions



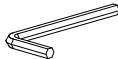


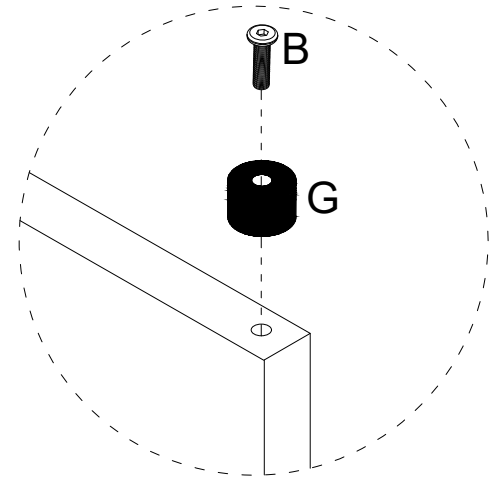
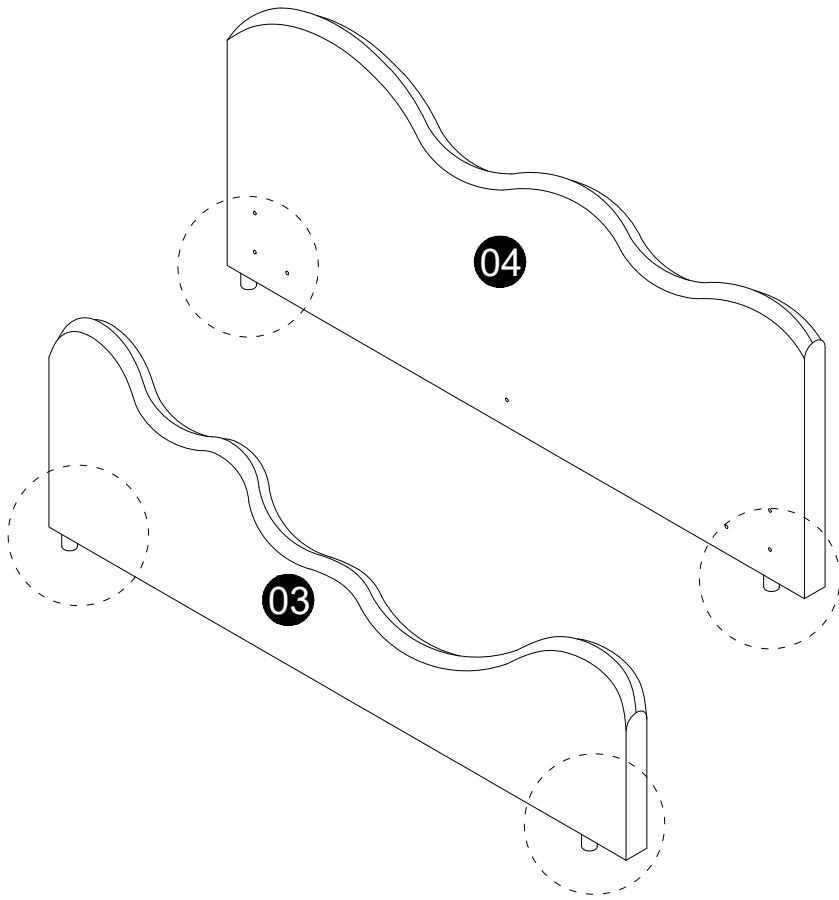
# HARDWARE LIST

<h2 style="margin: 0;">A</h2>  <p style="margin: 10px 0;">8*20mm      16PCS</p>	<h2 style="margin: 0;">B</h2>  <p style="margin: 10px 0;">8*40mm      4PCS</p>	<h2 style="margin: 0;">C</h2>  <p style="margin: 10px 0;">8*50mm      6PCS</p>	<h2 style="margin: 0;">D</h2>  <p style="margin: 10px 0;">6*25mm      4PCS</p>
<h2 style="margin: 0;">E</h2>  <p style="margin: 10px 0;">2PCS</p>	<h2 style="margin: 0;">F</h2>  <p style="margin: 10px 0;">2PCS</p>	<h2 style="margin: 0;">G</h2>  <p style="margin: 10px 0;">2.5cm      4PCS</p>	<h2 style="margin: 0;">H</h2>  <p style="margin: 10px 0;">M6      1PC</p>
<h2 style="margin: 0;">I</h2>  <p style="margin: 10px 0;">M8      1PC</p>			



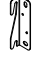
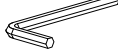
Before installation, insert the screws into the holes and tighten them, but do not tighten them to 100%, 70% to 80% is sufficient. Finally, after all screws are installed, tighten all screws to 100%. If you encounter these issues, such as if the holes cannot be aligned or some parts cannot be installed, please check if the screws are used correctly and adjust the tightness of the screws.

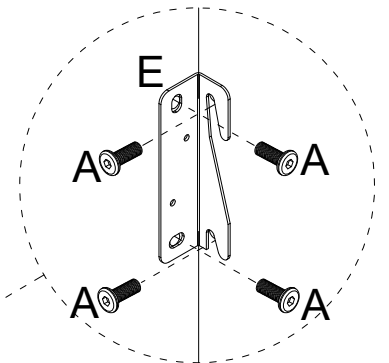
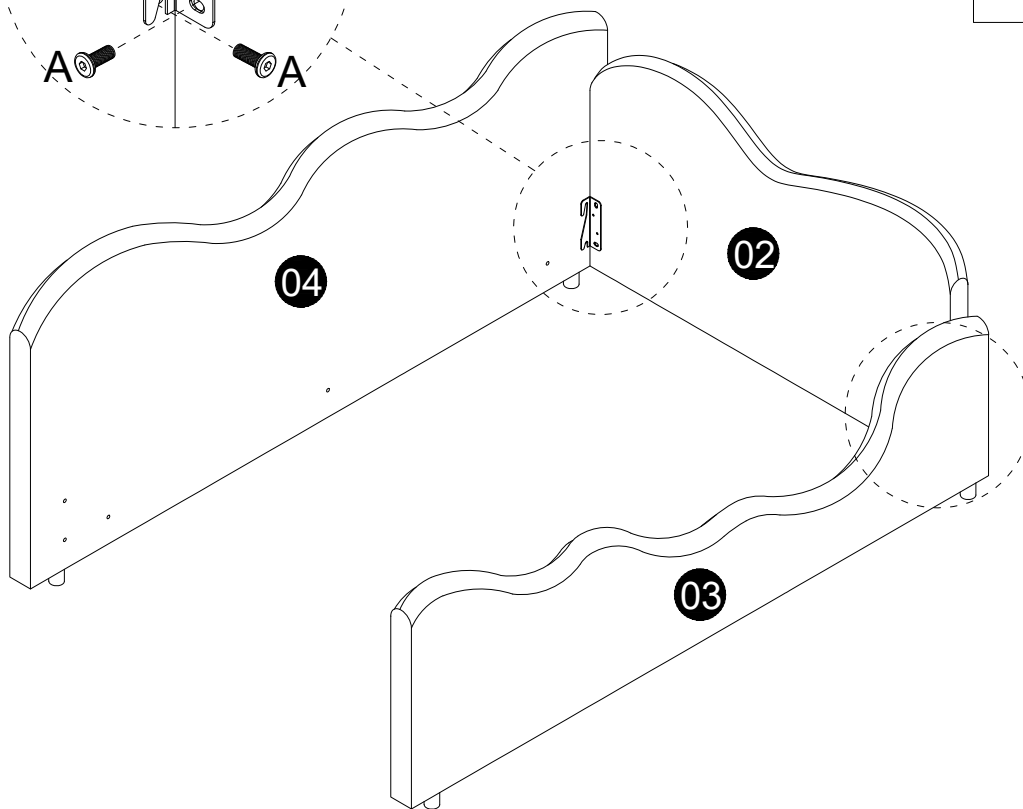
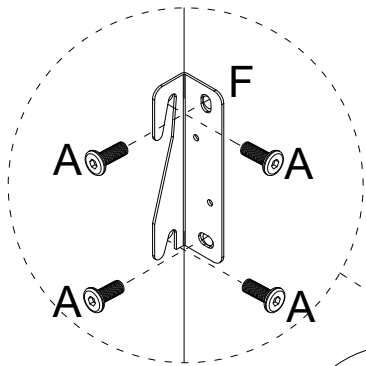
1

B		8*40mm	4pcs
G		2.5cm	4pcs
I		M8	1pc


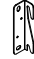

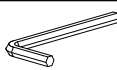


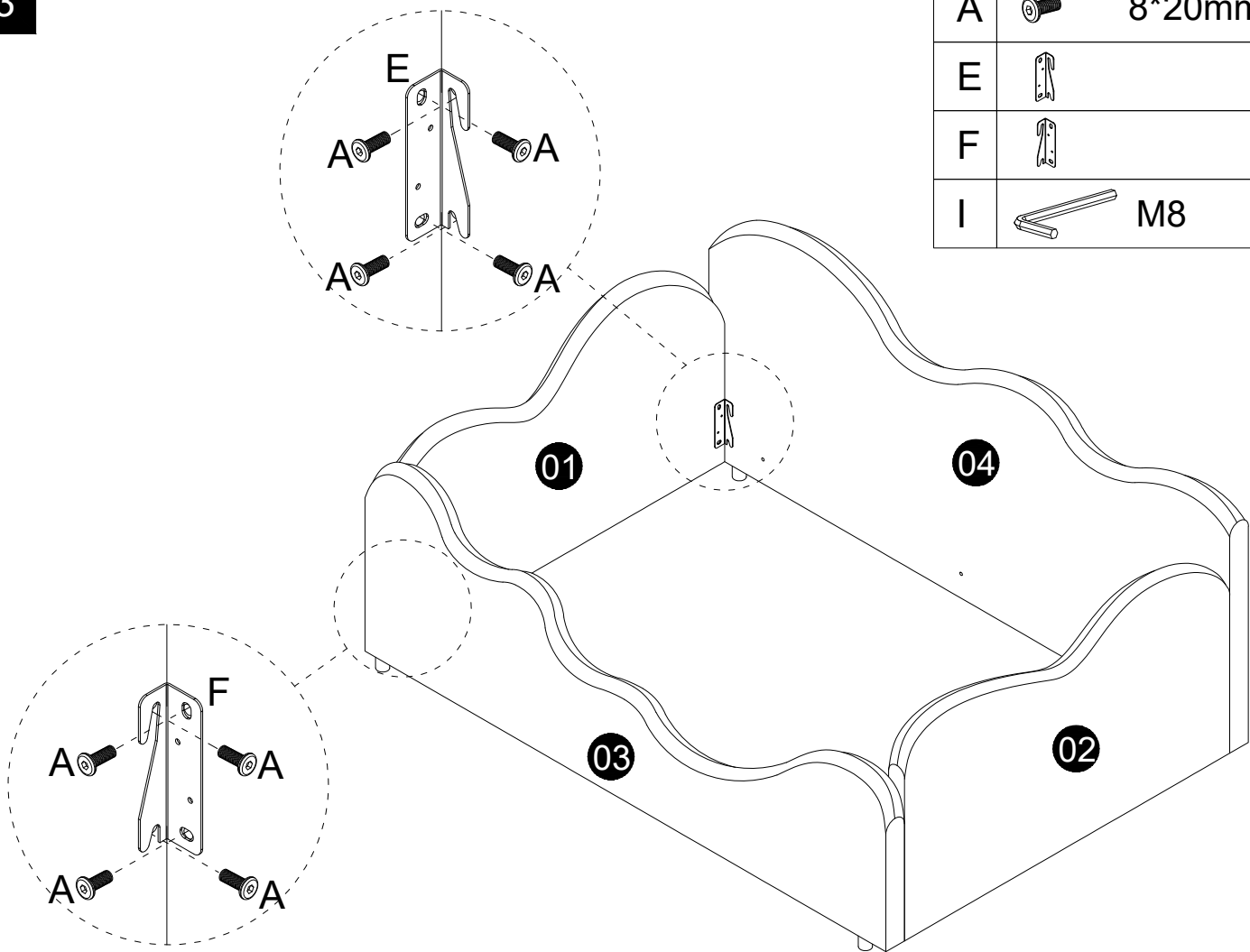
2

A		8*20mm	8pcs
E			1pc
F			1pc
I		M8	1pc


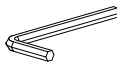


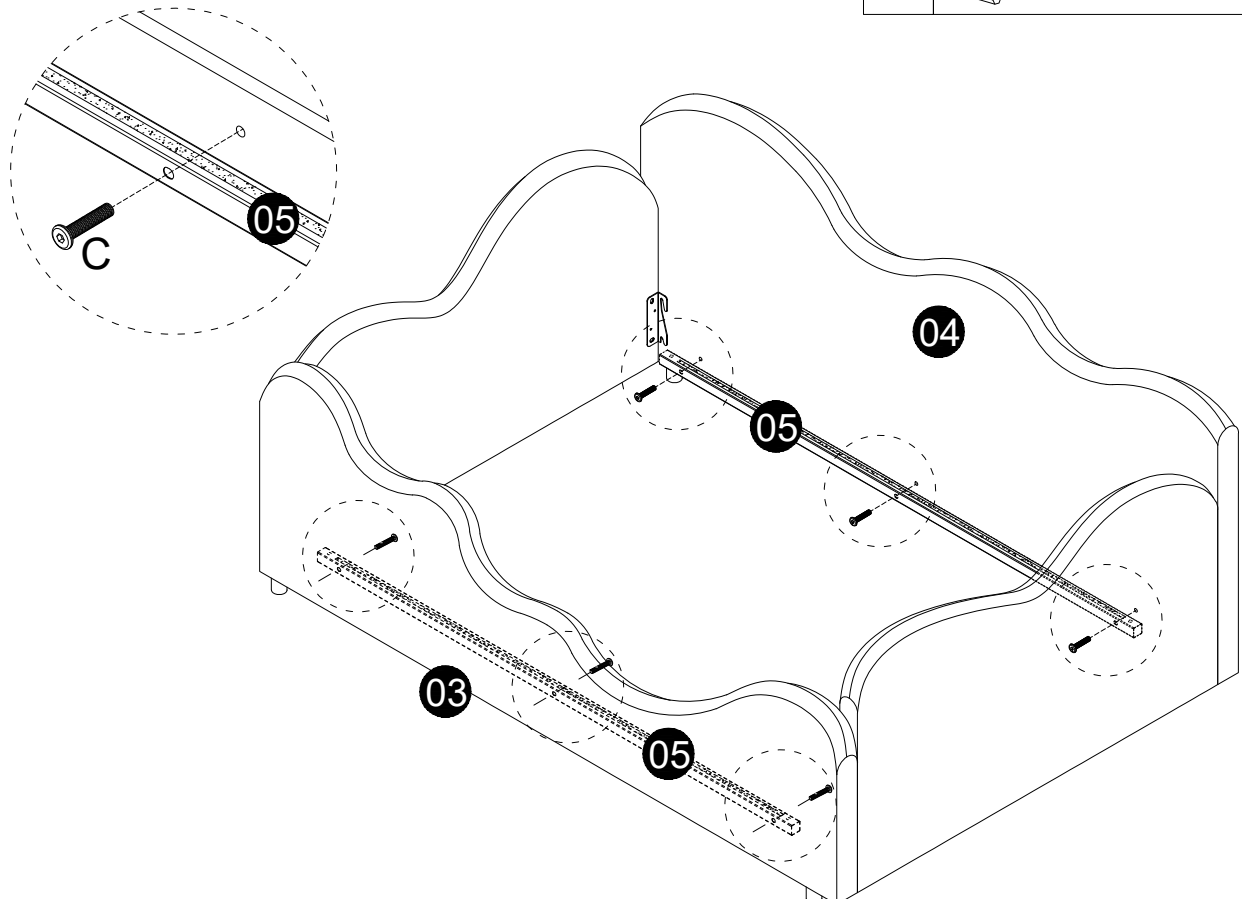
3

A		8*20mm	8pcs
E			1pc
F			1pc
I		M8	1pc

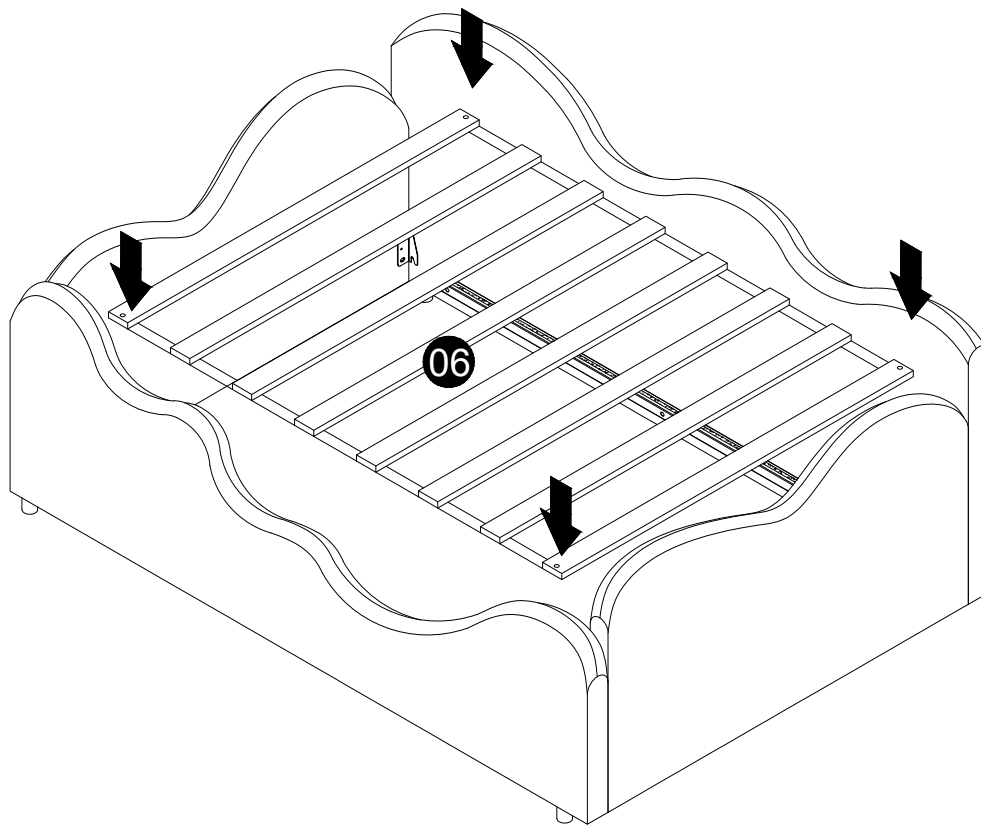


4


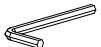
C		8*50mm	6pcs
I		M8	1pc



5



6

D		6*25mm	4pcs
H		M6	1pc

