

CAL.KG/EAST.KG BED

Assembly Instructions

A . Components :

- | | |
|--------------------|-----|
| 1. Headboard Panel | 1 x |
| 2. Footboard Panel | 1 x |
| 3. Bed Rail | 2 x |
| 4. Slat | 4 x |
| 5. Slat Support | 8 x |



a



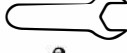
b



c



d



e

B . Hardware :

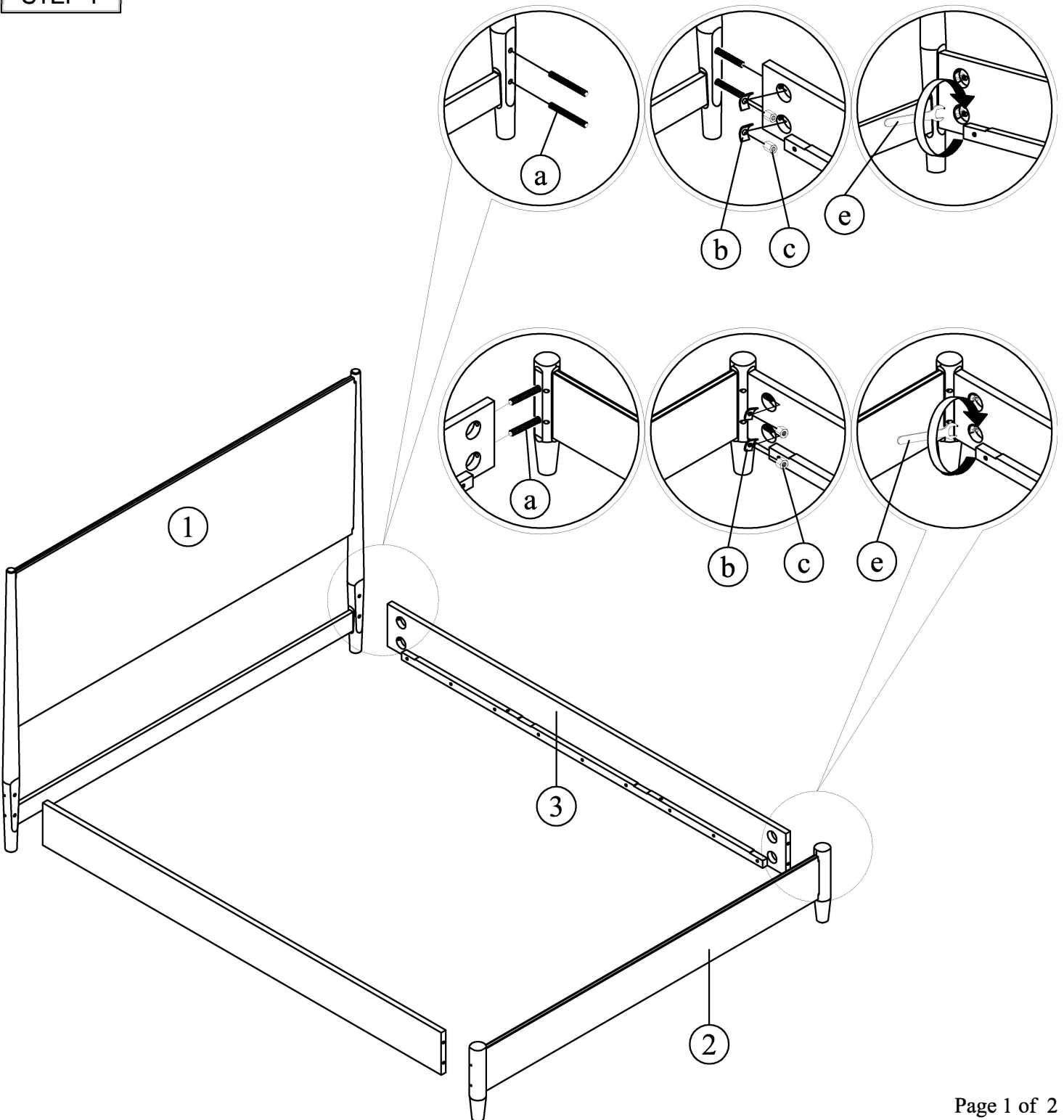
- | | |
|------------------|-----|
| a. Stud Bolt | 8 x |
| b. Square Washer | 8 x |
| c. Hex Nut | 8 x |
| d. Screw | 8 x |
| e. Wrench | 1 x |

C . Tool Required :

- Screw Driver = (not included)

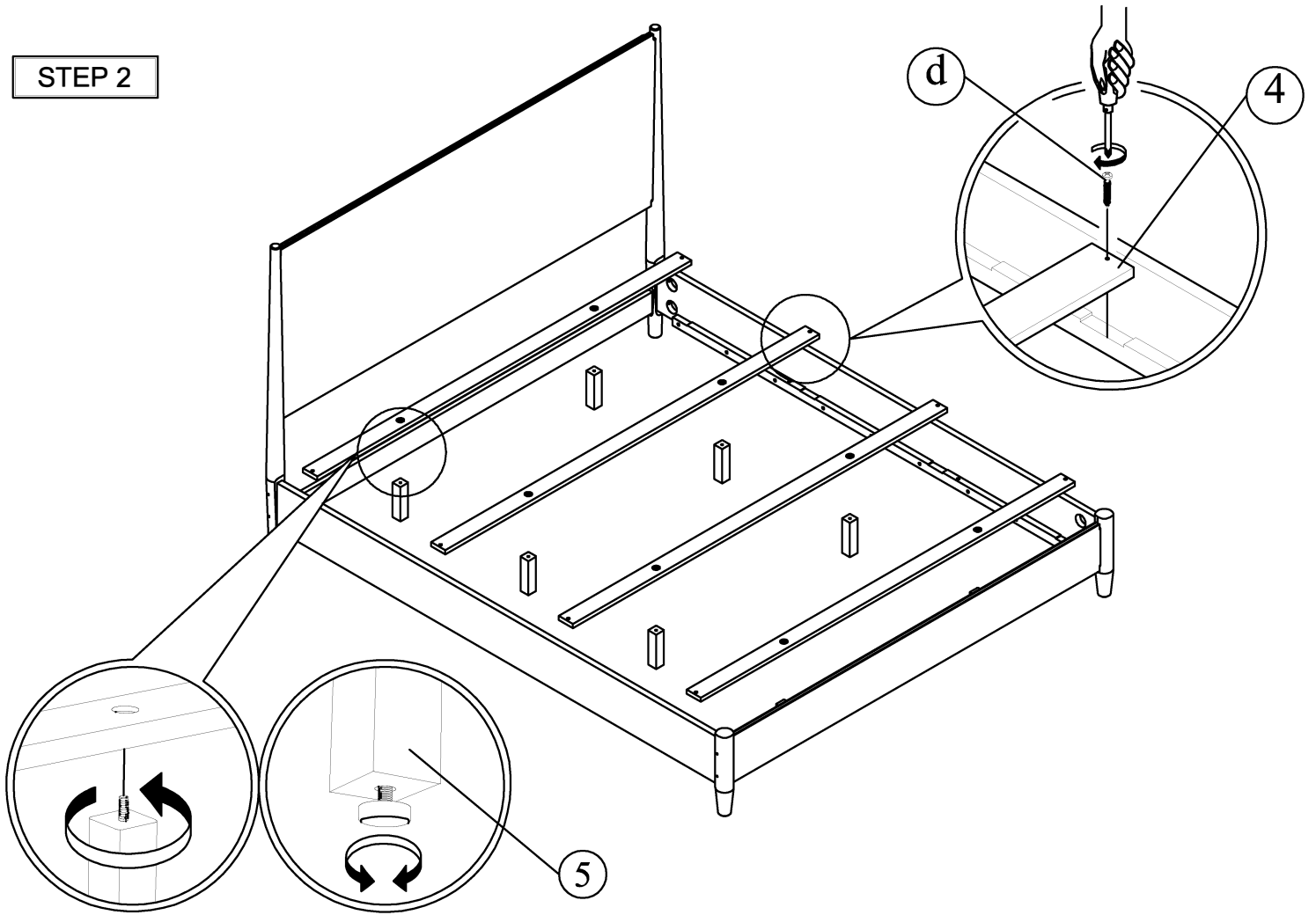


STEP 1



CAL.KG/EAST.KG BED

STEP 2



STEP 3

