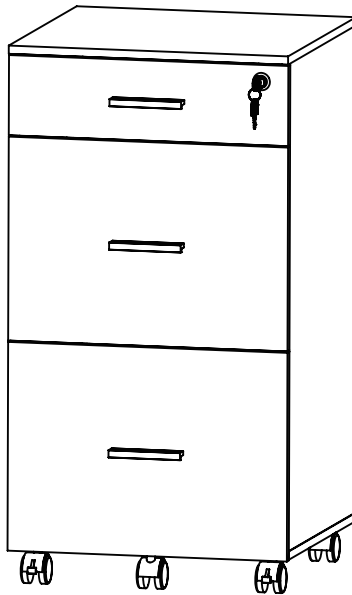




**DEVAISE**  
WWW.DEVAISE.COM



# AHDG078

Wood 3 Drawer Mobile Cabinet

V3.0



## IMPORTANT INFORMATION

READ CAREFULLY.

KEEP THIS INFORMATION FOR FURTHER REFERENCE.

## GENERAL GUIDELINES

- Please read the following instruction carefully and use the product accordingly.
- Please keep this manual and hand it over when you transfer the product.
- This summary may not include every detail of all variations and considered steps. Please **contact us** when further information and help are needed.

## NOTES

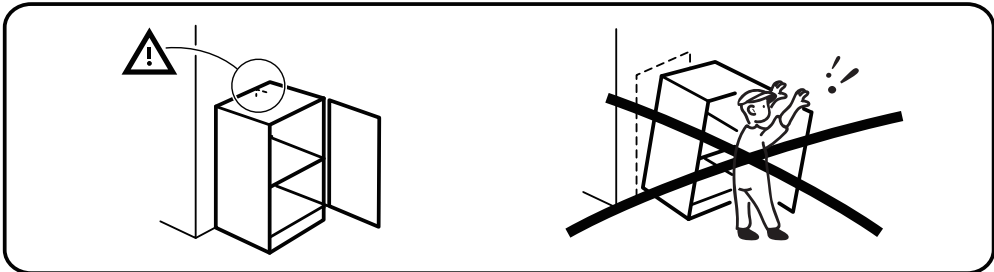
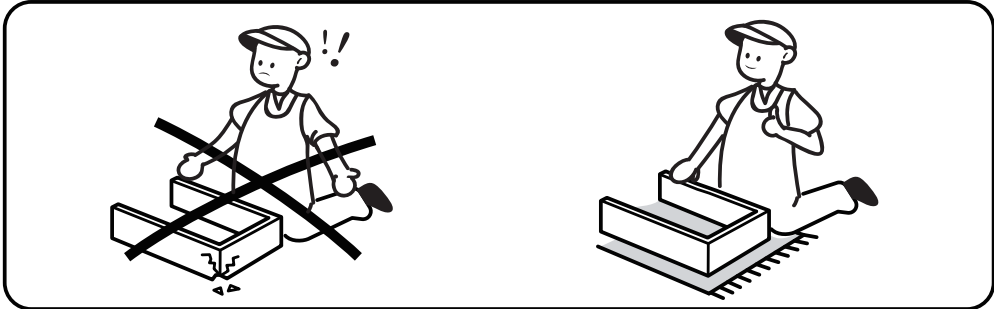
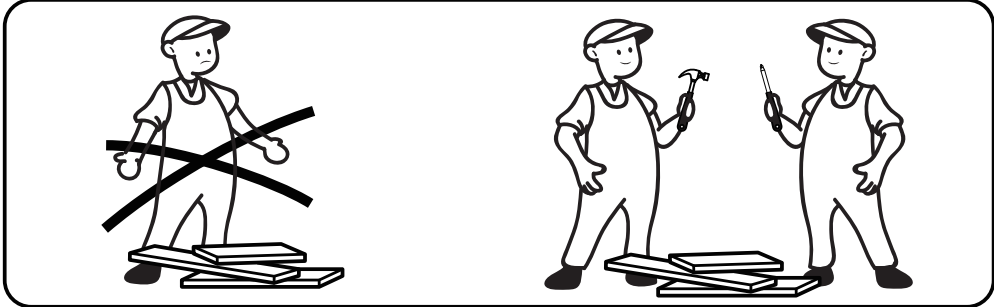
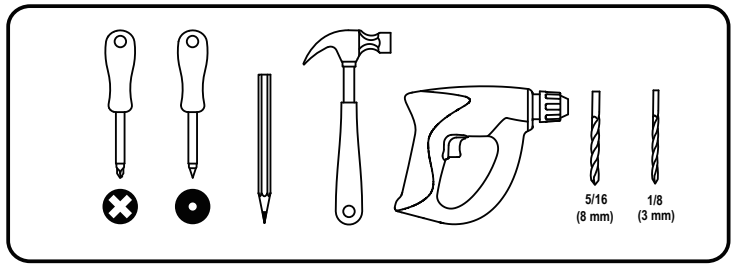
- Please follow the assembly instructions precisely and only use the product as intended.
- If an odor is present when first opening the package, please leave the unwrapped product in a shaded and ventilated area for a few days to air out.
- Prior to assembly, please check the product for defects or missing accessories. If any defects are found or accessories are missing, do not use product as damage or injury may occur; Please **contact us** for assistance and replacement.
- It is suggested you regularly check the products bolts and connections to ensure safe use.
- Assemble the item on a soft flat and clean surface to avoid scratches and damage.
- It is recommended that two people assemble this product.

## WARNINGS

- During assembly, keep parts and packaging materials away from children and pets as there could cause injury and are a potential choking hazard.
- Avoid sharp objects or corrosive chemicals to prevent damage to the product.
- Please open the item slowly and cautiously to avoid pinching your hands by metal joints, especially children.

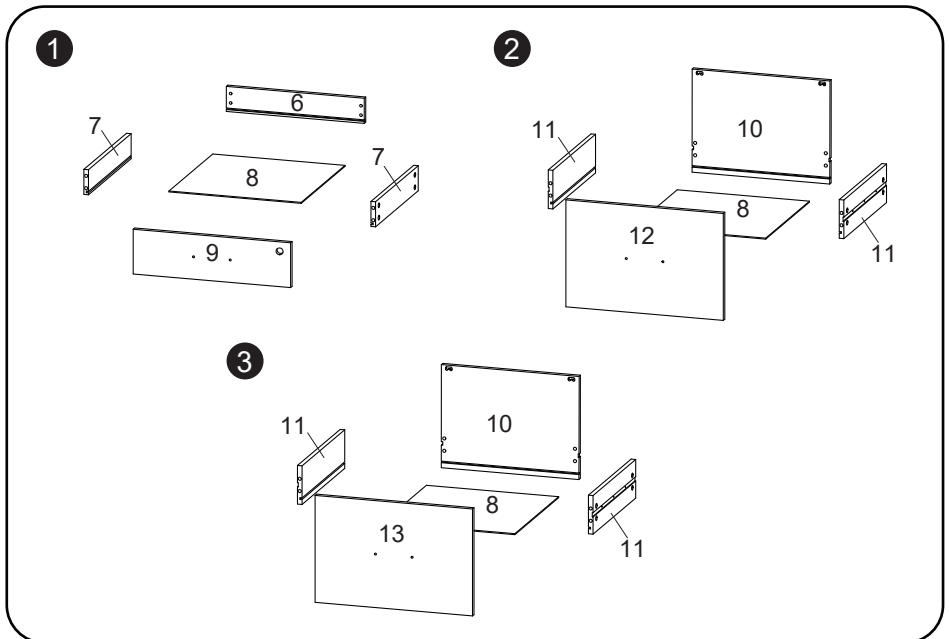
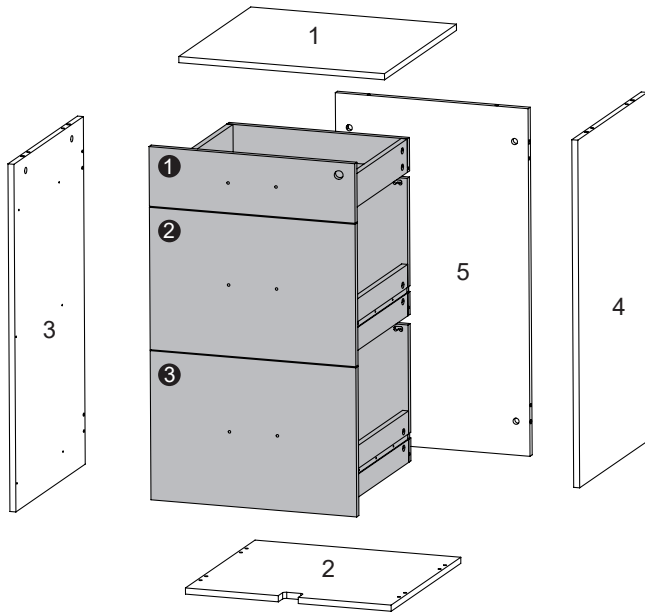
## ANTI-TIP WARNING

- Serious or fatal crushing injuries can occur from furniture tip-over. To prevent this furniture from tipping over it must be permanently fixed to the wall.
- Since different wall materials require different types of fixing device, for advice on suitable fixing systems, contact your local specialized dealer.

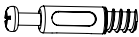


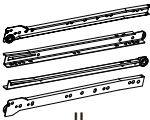







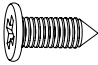













- If you have any further questions, please feel free to contact us by email or official website: [devaise-cs@devaise.com](mailto:devaise-cs@devaise.com)  
We will reply ASAP.
- Before installation, please make sure you have all the hardware, the serial numbers are properly labeled corresponding to the list, and the quantity is correct.
- Enjoy your new purchase!

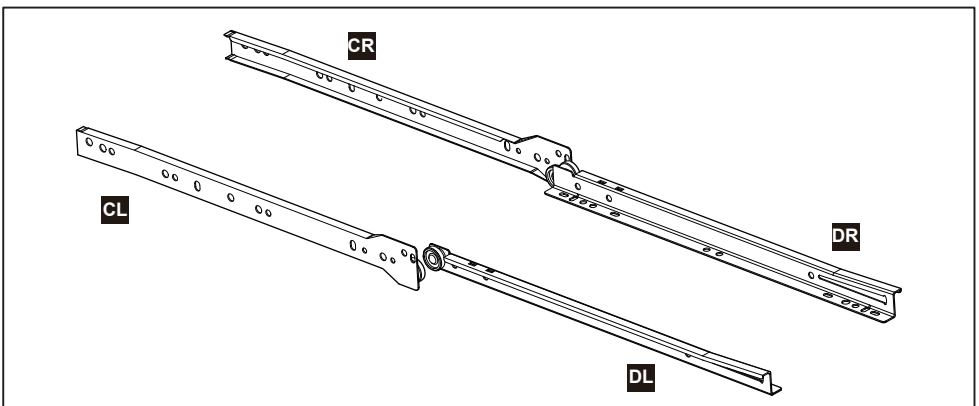
EXPLODED DRAWING



**PARTS**

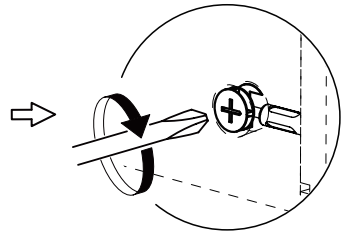
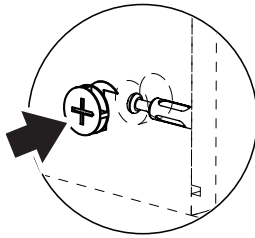
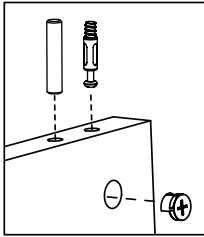
 <p><b>A</b> X32</p>	 <p><b>B</b> X16</p>	 <p><b>C</b> X32</p>	
 <p><b>D</b> X1</p> <p>II</p>  <p><b>CL</b></p> <p>+</p>  <p><b>DL</b></p> <p>+</p>  <p><b>DR</b></p> <p>+</p>  <p><b>CR</b></p>	 <p><b>E</b> X4</p>	 <p><b>F</b> X4 M5x50</p>	
 <p><b>G1</b></p>  <p><b>G2</b></p> <p><b>G</b> X3</p>	 <p><b>H</b> X42 M4x10</p>		
 <p><b>I</b> X2</p>	 <p><b>J</b> X2</p>		
 <p><b>K</b> X1</p>	 <p><b>L</b> X4</p>	 <p><b>M</b> X24</p>	
 <p><b>N1</b></p>  <p><b>N2</b></p>  <p><b>N3</b></p> <p><b>N</b> X1</p>	 <p><b>O</b> X4 M4x16</p>	 <p><b>P</b> X1</p>	 <p><b>Q</b> X1</p>

**REMARK**

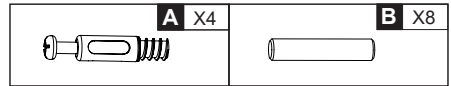


**REMARK**

**MINIFIX POSITION**

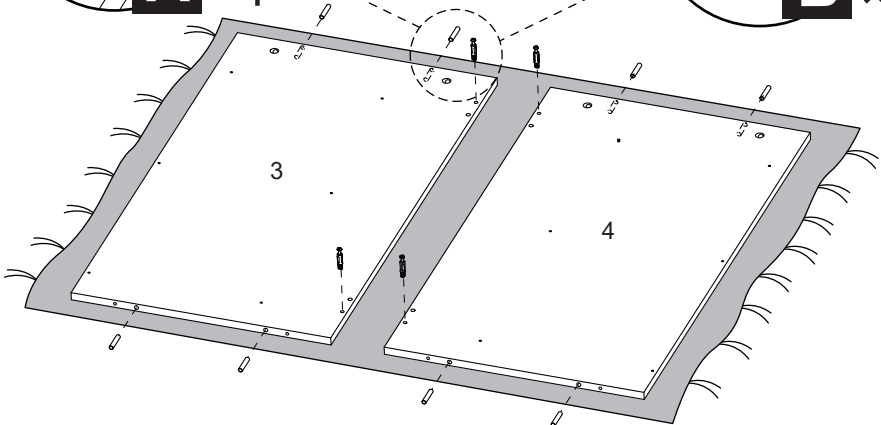
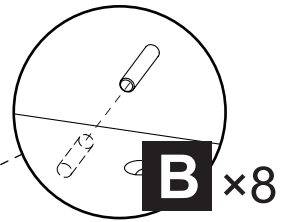
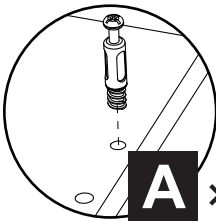
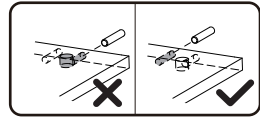
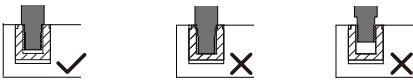


**1**






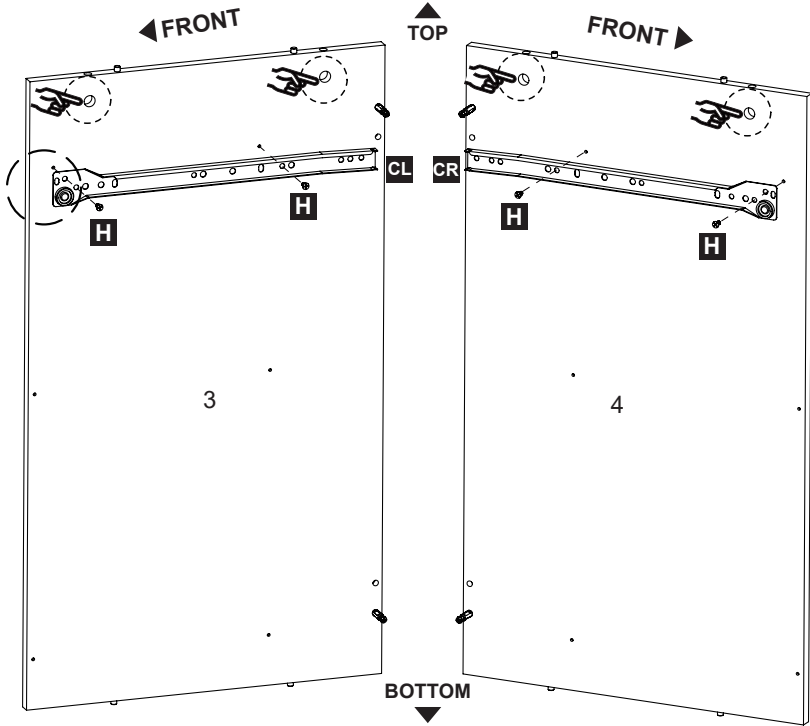
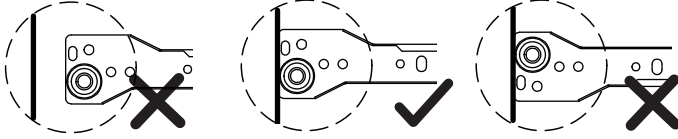
**REMARK**

1. Put a blanket under the board to avoid scratch or damage.
2. Please do not screw **A** too deep or too shallow.



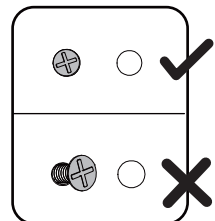
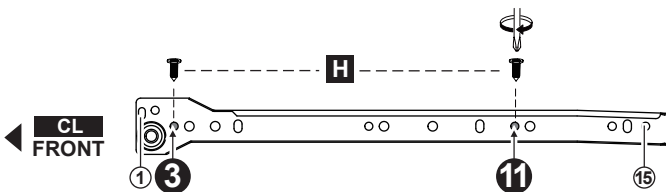
## 2

	<b>H</b> X4 M4x10		<b>CL</b> X1		<b>CR</b> X1
---	----------------------	---	--------------	---	--------------

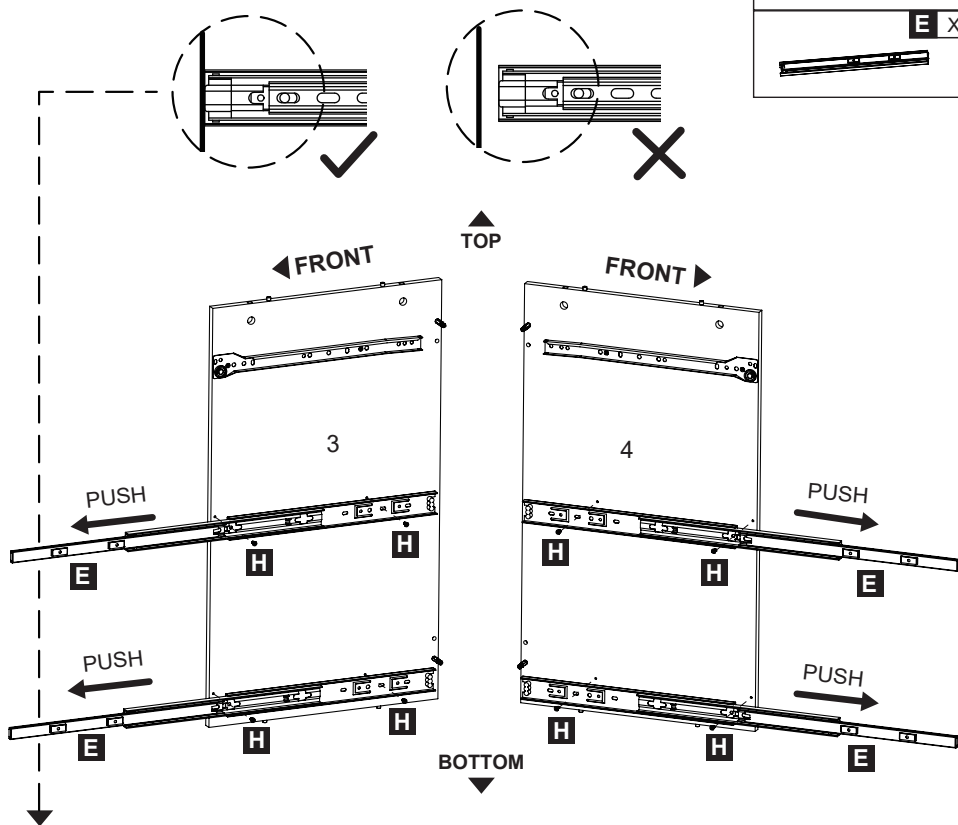
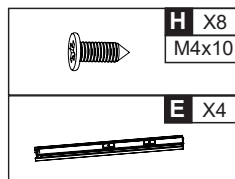


### REMARK

When installing, please make sure the screws are flattened, not crooked; Otherwise the drawers will not be installed perfectly.

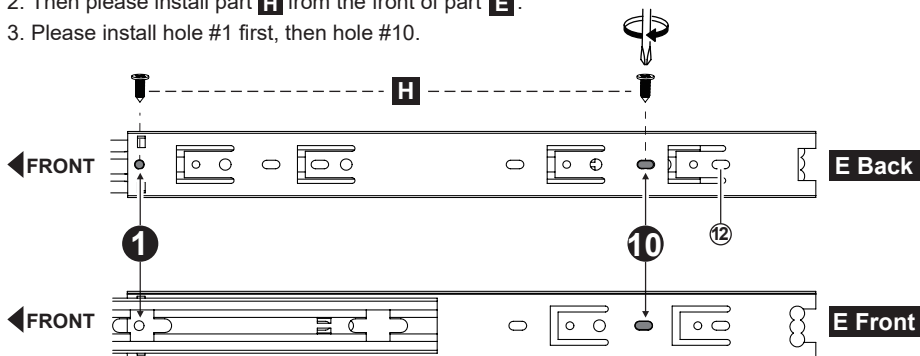


## 3

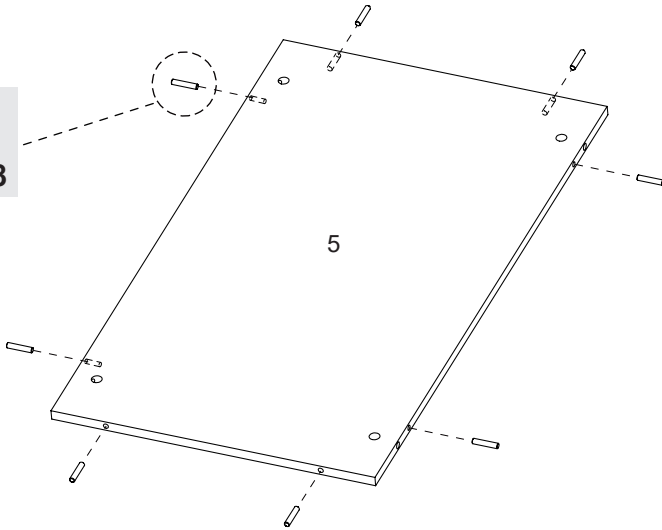
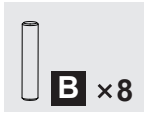
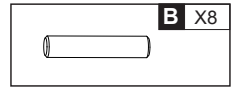


### REMARK

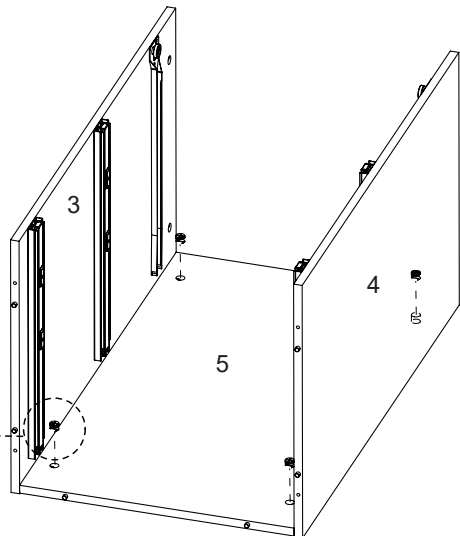
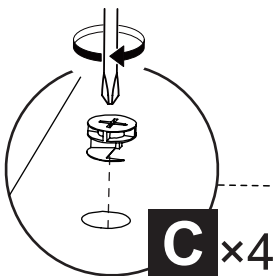
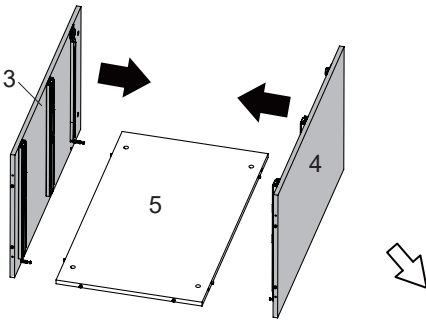
1. Please locate the holes from the back of part **E**.
2. Then please install part **H** from the front of part **E**.
3. Please install hole #1 first, then hole #10.



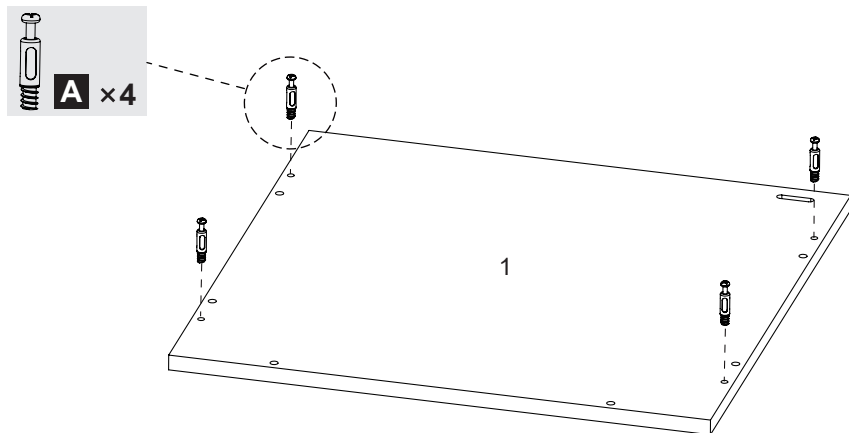
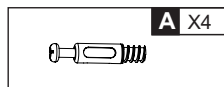
4



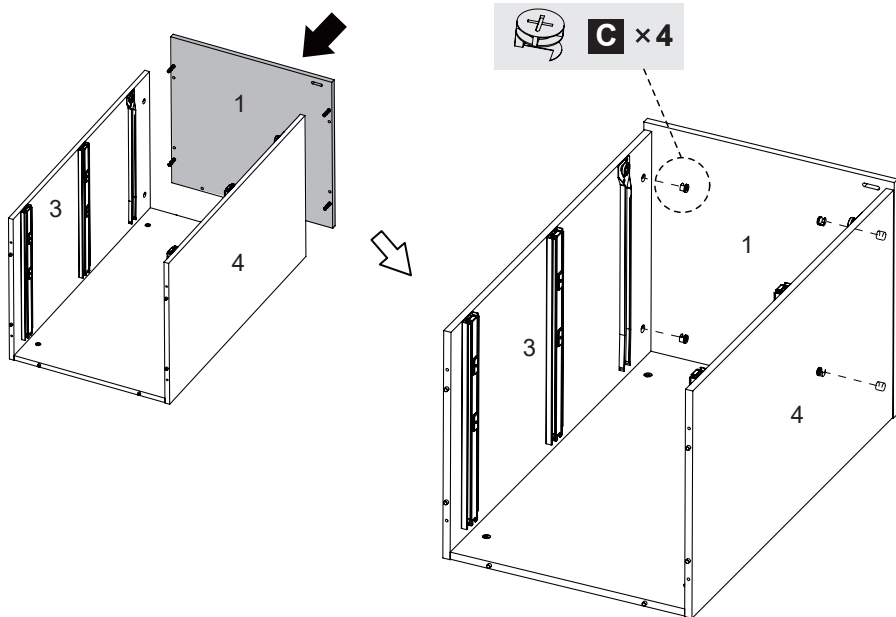
5



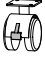

6




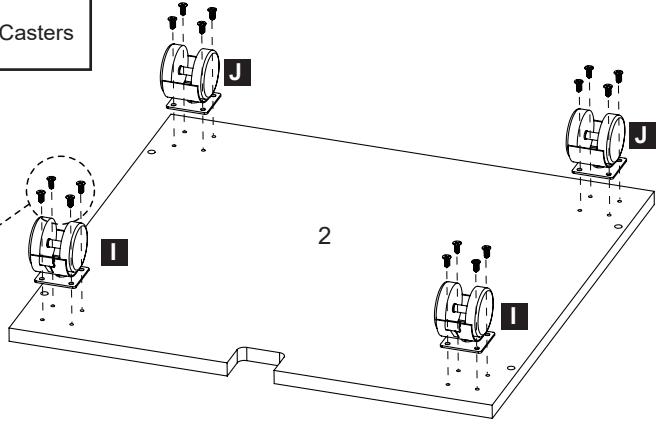
7



## 8

<b>I</b>		Lockable casters
<b>J</b>		360° Swivel Casters

	<b>H</b> X16 M4x10	<b>I</b> X2
		<b>J</b> X2

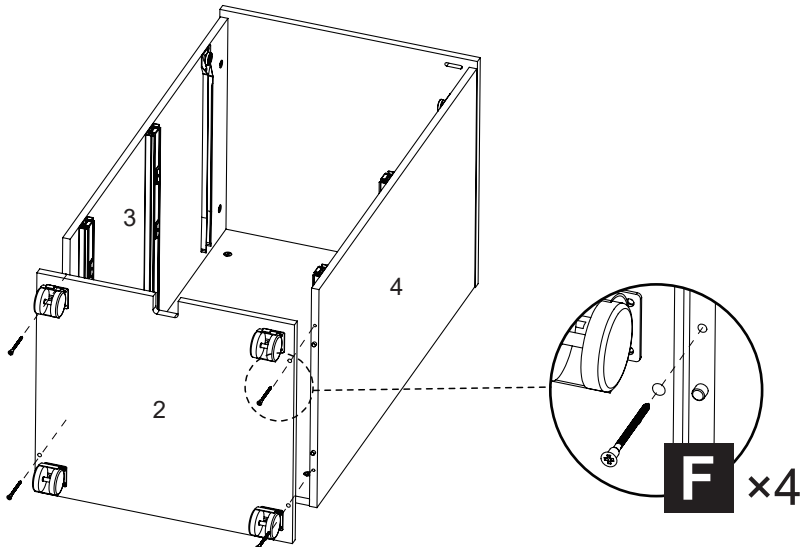


## 9

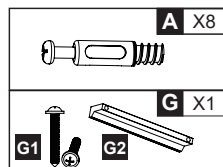
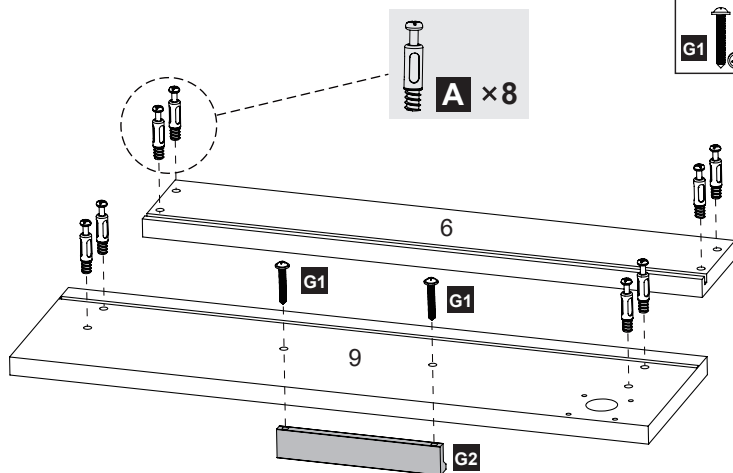
### REMARK

1. Install screw **F** after connect part **2** with part **3** and part **4**.
2. Please do not fully tighten screws until all screws are in place.

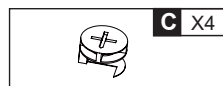
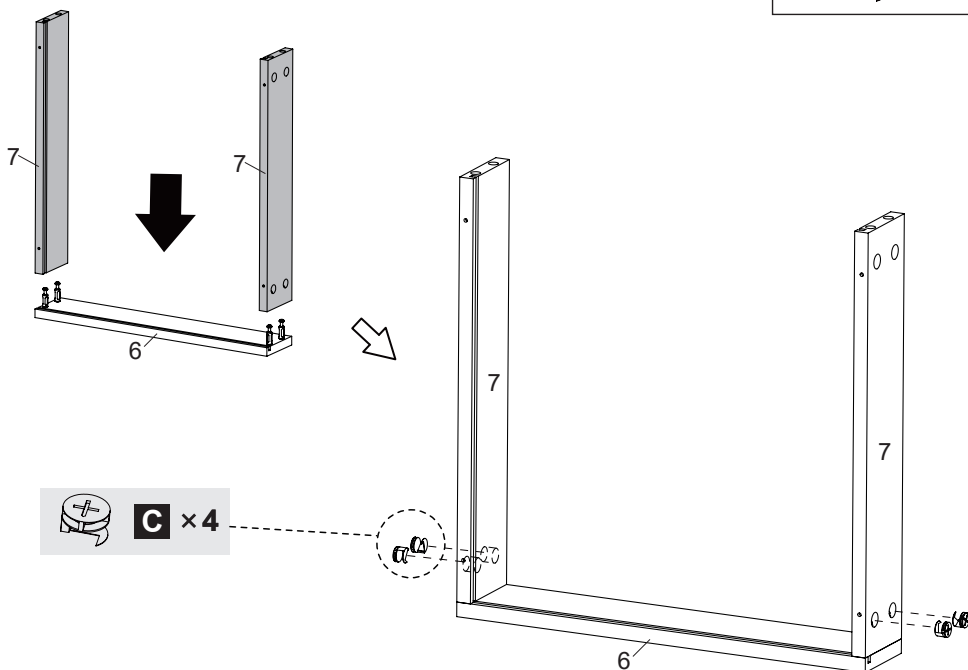
	<b>F</b> X4 M5x50
---	----------------------



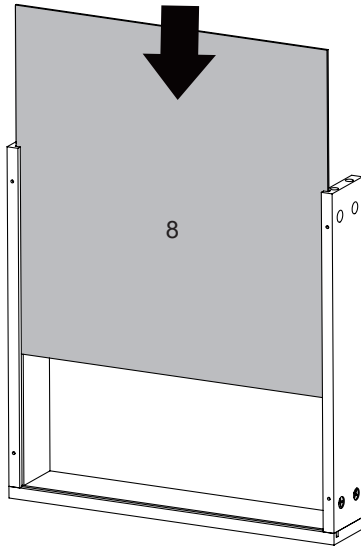
## 10



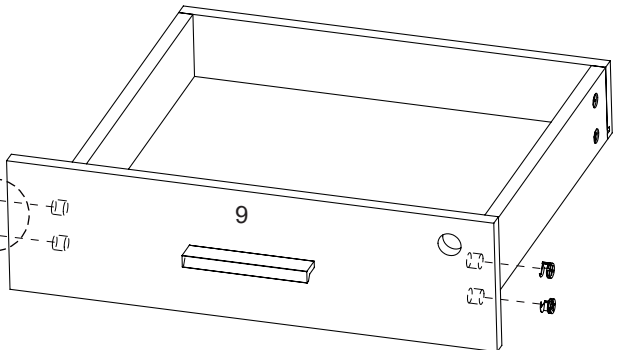
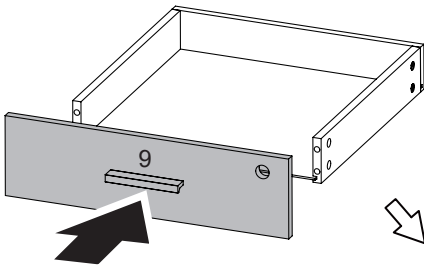
## 11



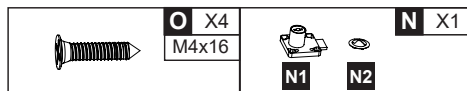
12



13

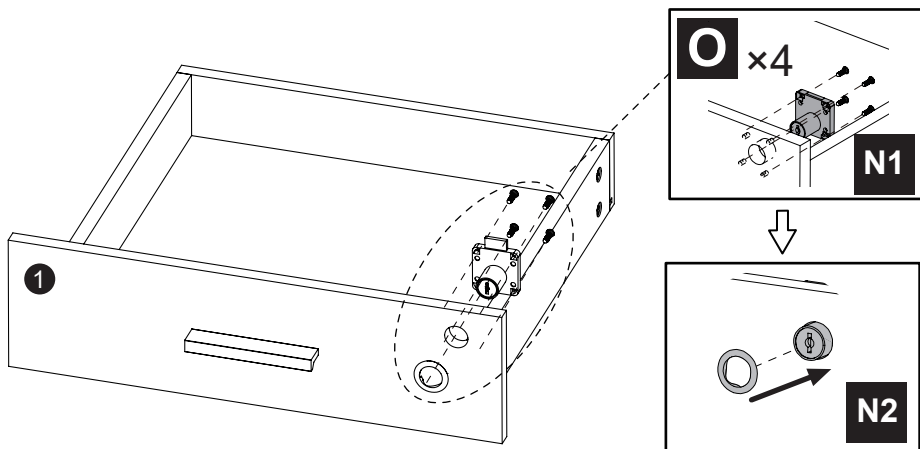


14

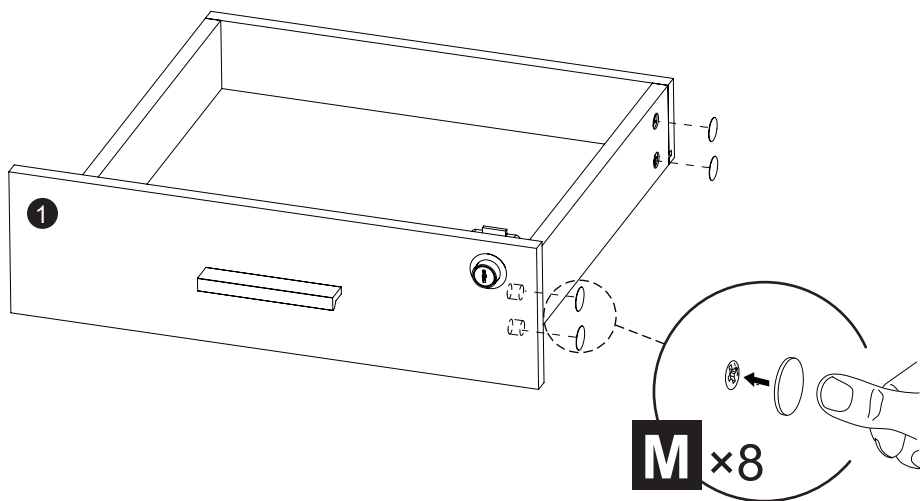
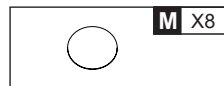


**REMARK**




Do not tighten the screws until **N2** is installed.

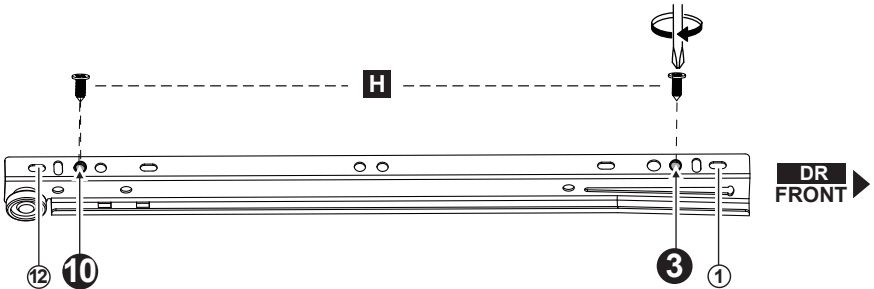
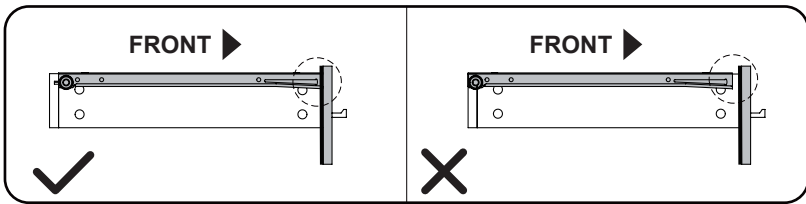
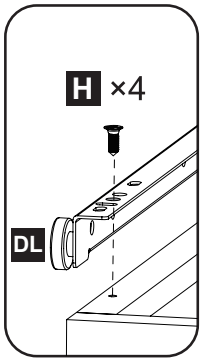
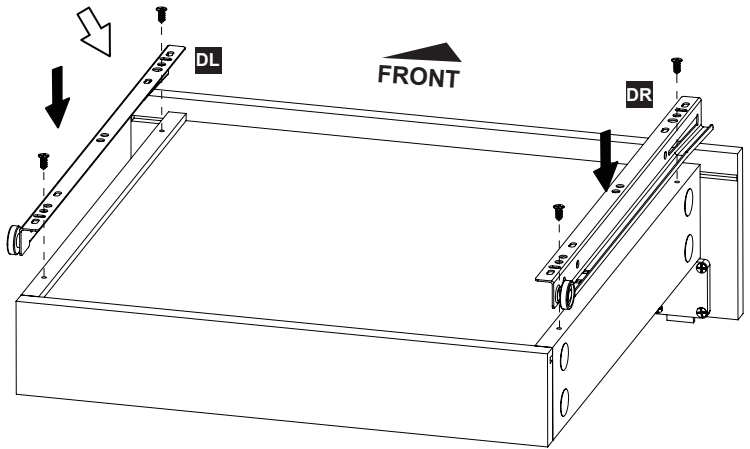
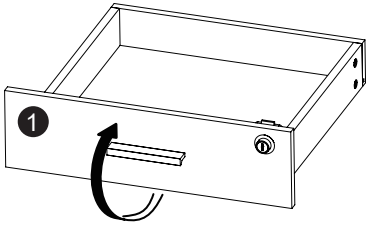


15

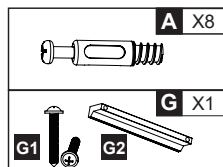
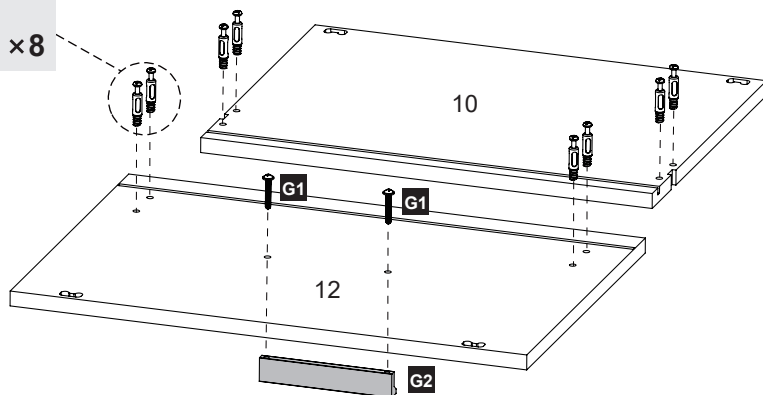
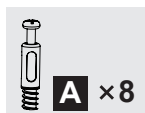


## 16

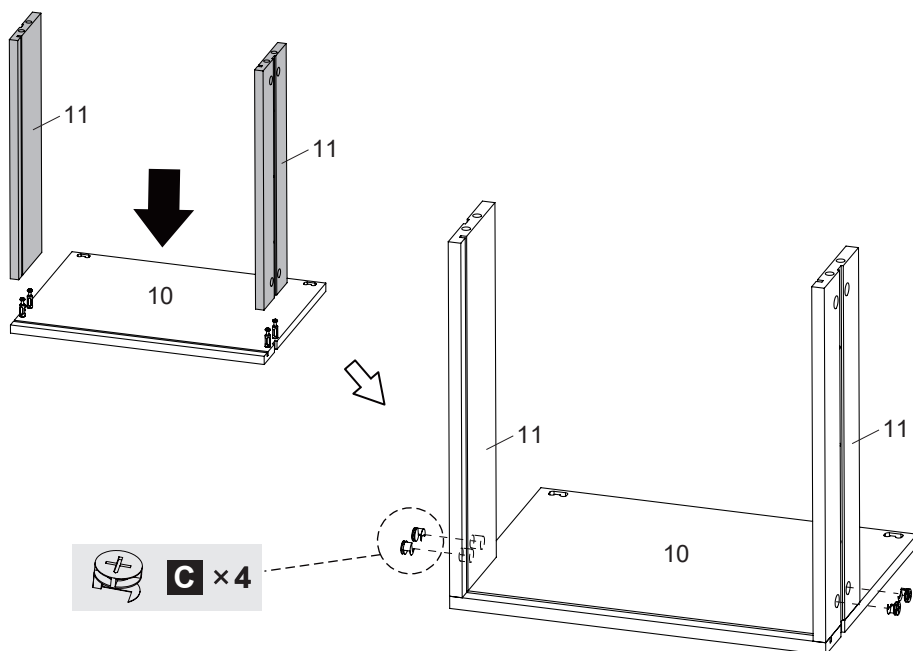
	<b>DR</b> X1		<b>H</b> X4 M4x10
	<b>DL</b> X1		



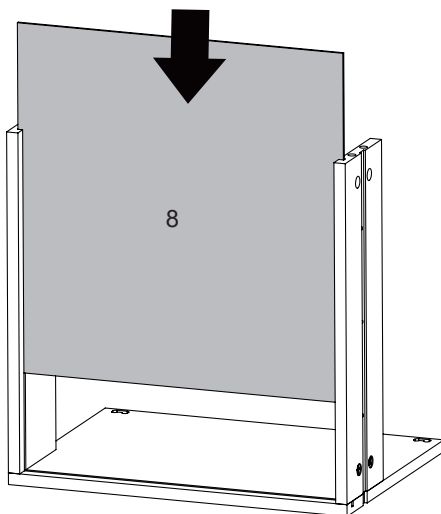
## 17



## 18



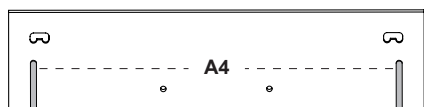
19



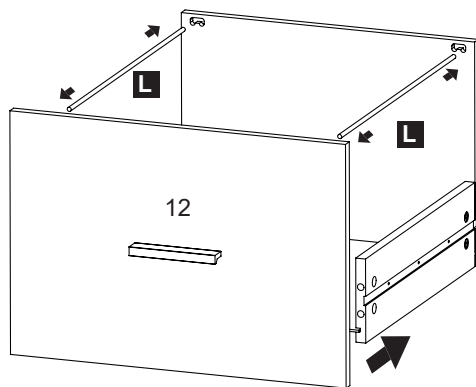
20



(1)

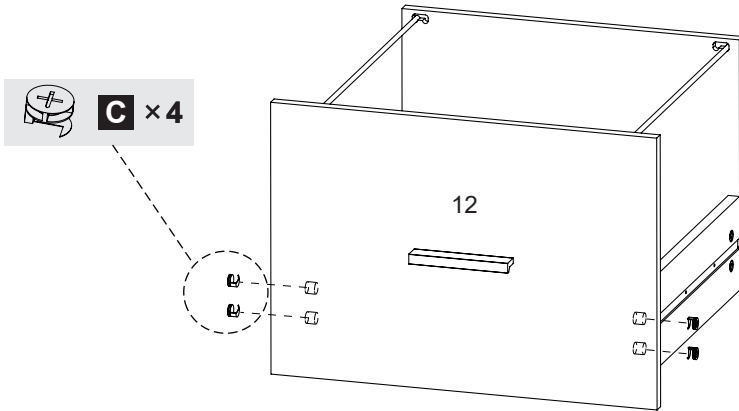


(2)

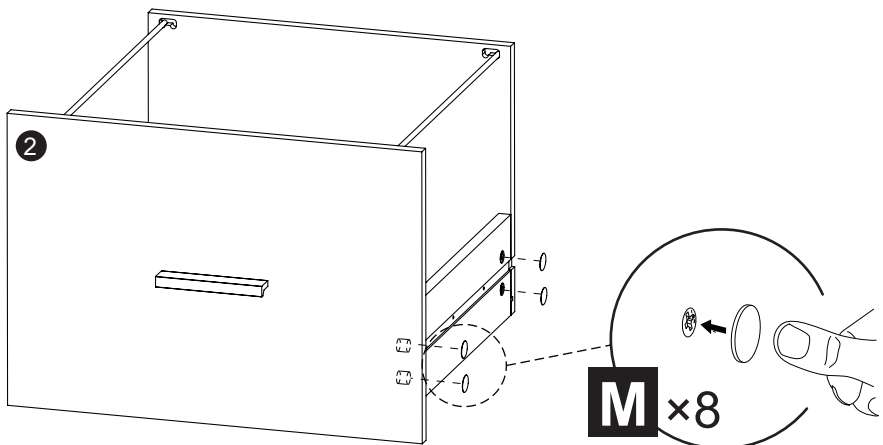


As shown in Fig. (1) installation method, the A4 Size file can be hung after installation.  
 As shown in Fig. (2) installation method, the Letter Size file can be hung after installation.

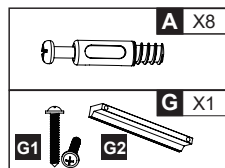
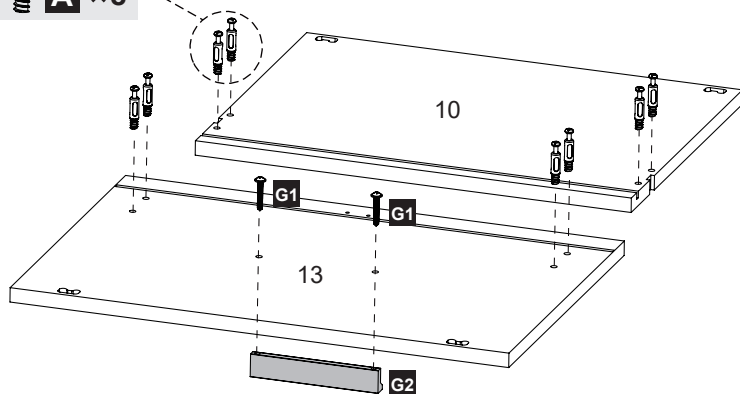
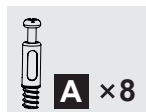
21



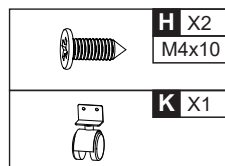
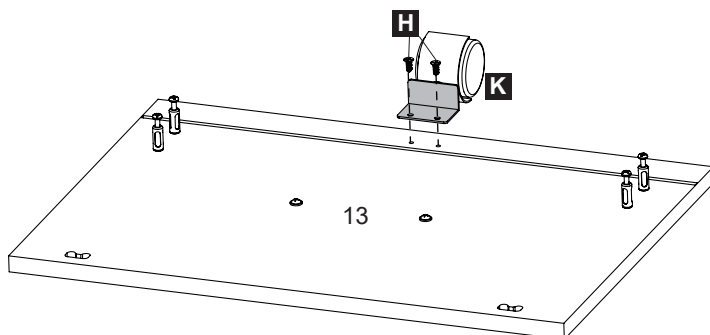
22



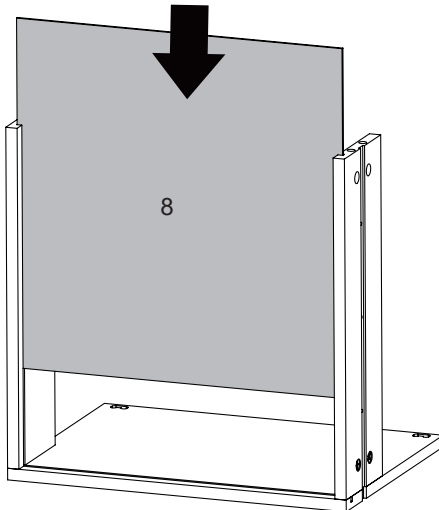
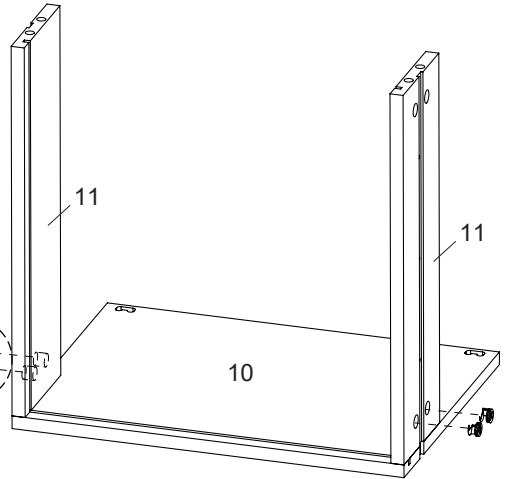
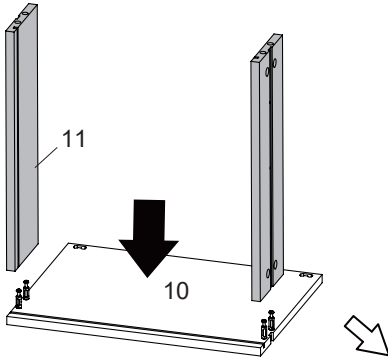
23



24



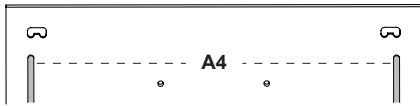
25



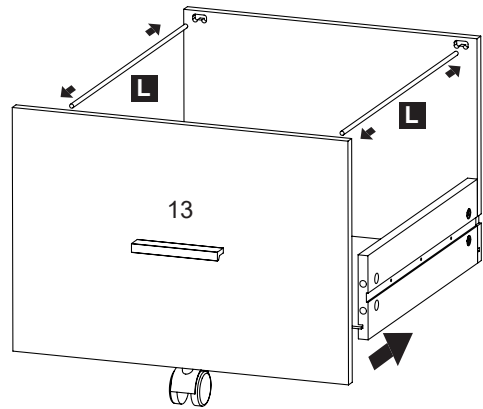
26



(1)

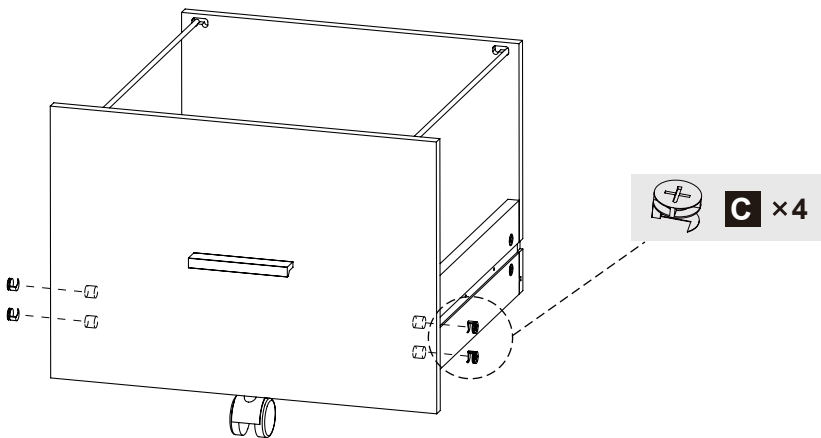


(2)

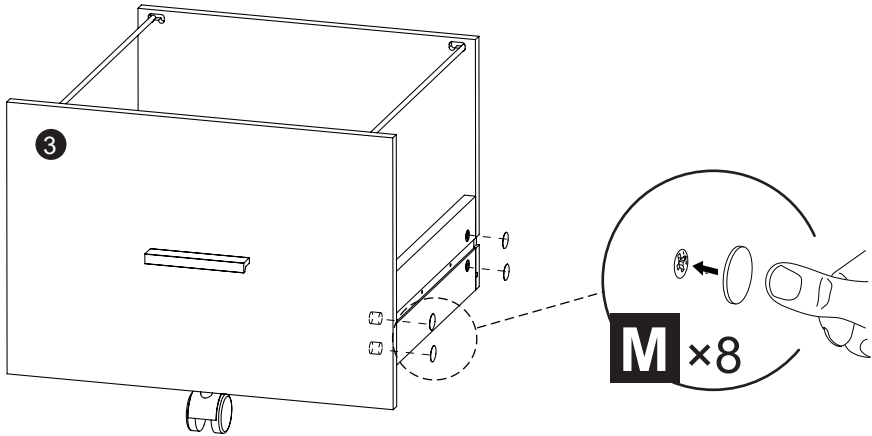


As shown in Fig. (1) installation method, the A4 Size file can be hung after installation.  
 As shown in Fig. (2) installation method, the Letter Size file can be hung after installation.

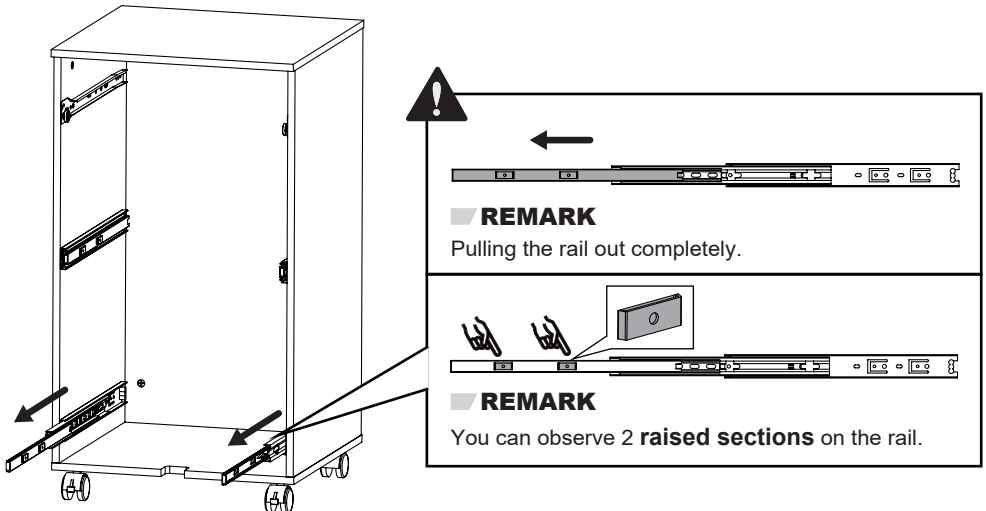
27



28



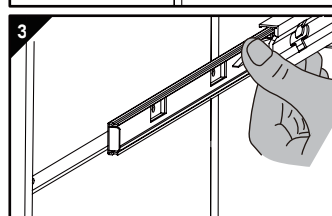
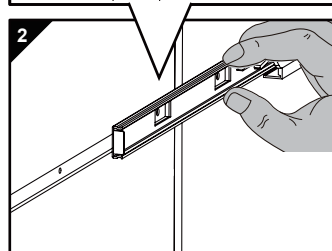
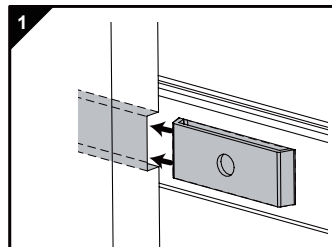
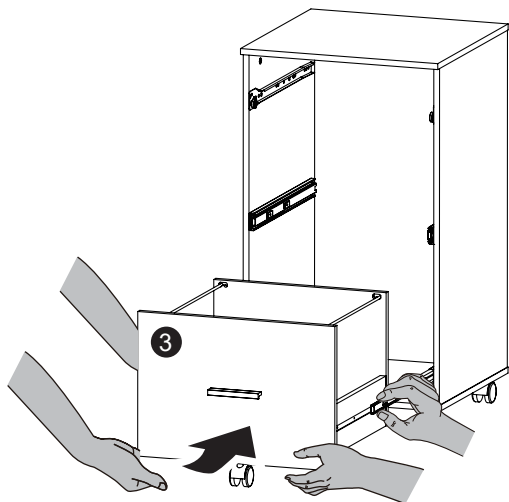
29



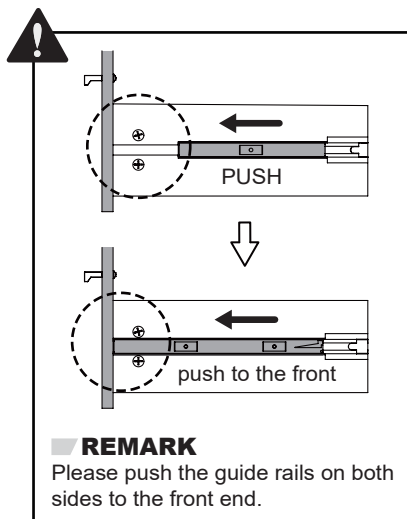
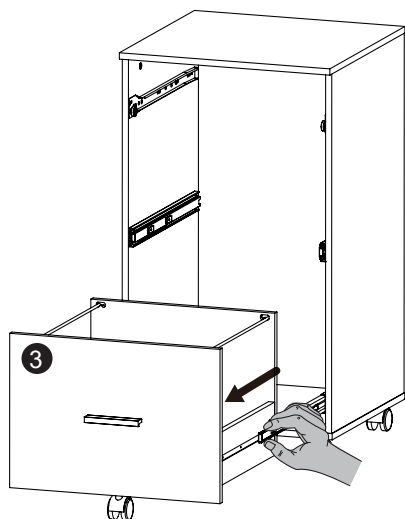
30

**REMARK**

1. It is recommended to assemble by 2 people.
2. Place the bulges on the guide rail into the groove of the drawer.



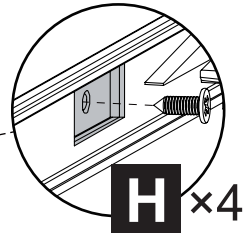
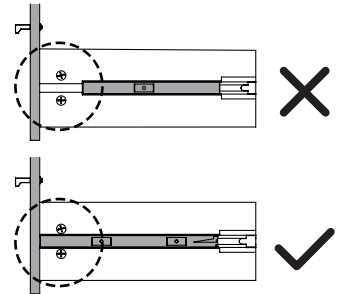
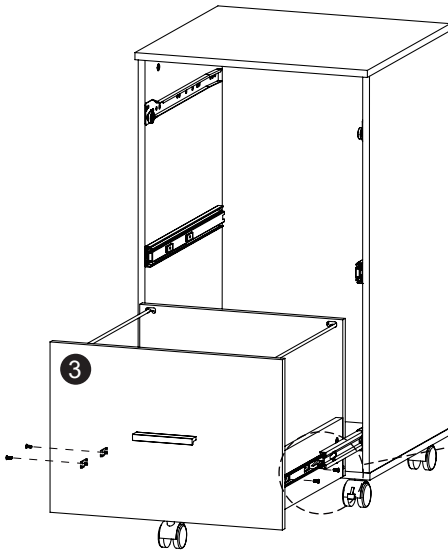
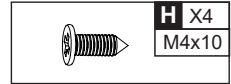
31



32

**REMARK**

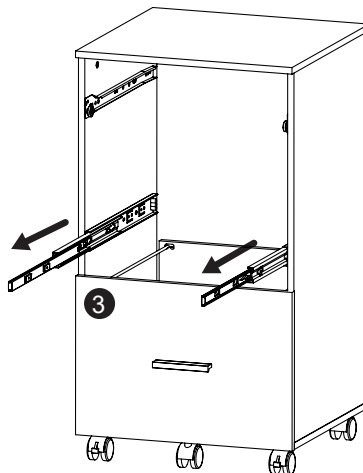
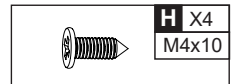
Please confirm that the guide rails on both sides are at the most forward position before tightening with screws.



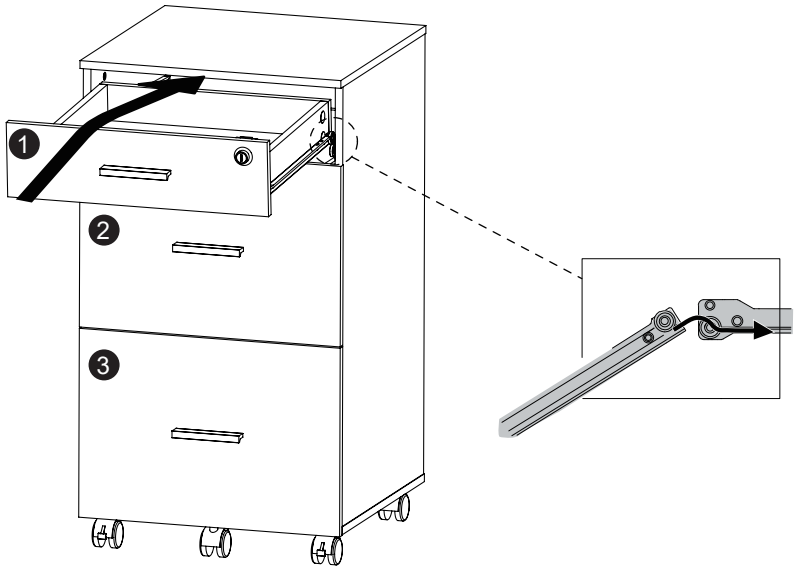
33

**REMARK**

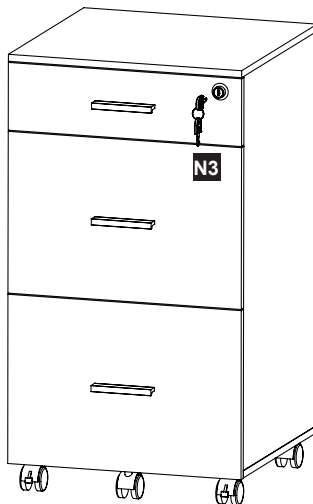
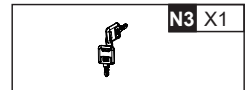
1. Pulling the rail out completely.
2. The installation method of No. 2 drawer is the same as that of No. 3 drawer , please refer to the **step 29 - step 32** for the installation method.



34



35





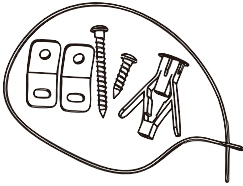
**WARNING**

**ANTI-TIPPING DEVICE**

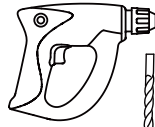
**WALL ANCHORING GUIDE**

The hardware you should use to secure your furniture to the wall depends on both the type of furniture you have and your wall material.

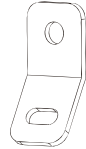
**Attaching your furniture to cavity wall with anti-tipping device**



**Anti-tipping device bag**



**Electric drill** (not provided)  
5/16" (8mm) 1/8" (3mm)

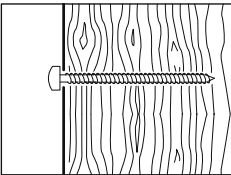


**Fixing hole** (round)  
**Threading hole** (oval)

**Type of Wall Material**

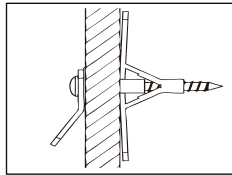
Using the guide below, identify your wall material and choose the corresponding steps.

**Mark the attachment point(s) with a pencil at the appropriate height.**



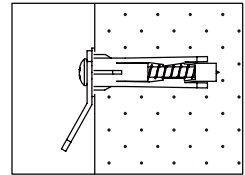
**Drywall or plaster with available wood stud**

- Drill 1/8-inch (3mm) diameter pilot hole(s) into the wood stud(s), at the height you marked with pencil.



**Drywall without available wood stud**

- Drill 5/16-inch (8mm) diameter hole(s) through the wall at the height you marked with pencil.
- Drive the plastic plug(s) into the hole(s), using a hammer if needed.



**Masonry**

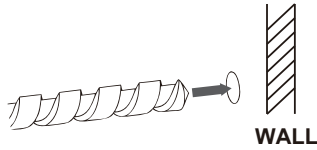
- Drill 5/16-inch (8mm) diameter hole(s) 2-inches (50mm) deep into the wall at the height you marked with pencil.
- Drive the plastic plug(s) into the hole(s), using a hammer if needed.

Follow the appropriate pictogram instructions on the following pages, drive the screw(s) with washer(s) through the brackets and tighten screw(s) firmly into the plastic plug(s) in the wall. Do not over-tighten.

**If your wall material is not listed here, or if you have any questions, consult your local hardware store.**

## STEP

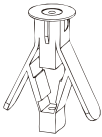
1



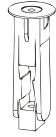
Drill a hole in the solid wall  
( Wood wall or Concrete wall )

2

PRESS



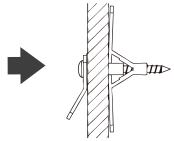
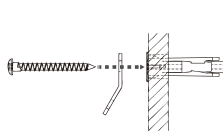
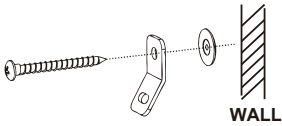
PRESS



3



4



5

