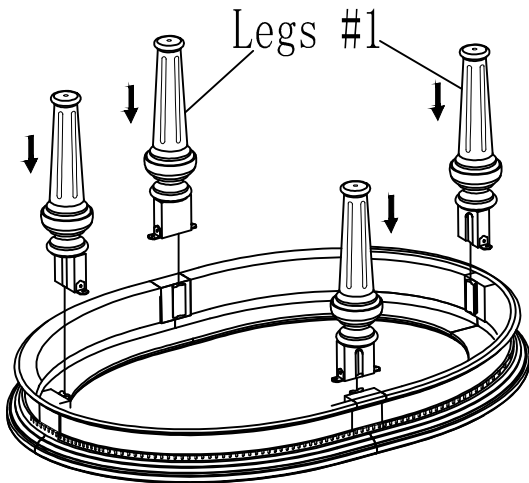
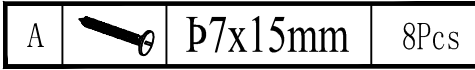


# HEKMAN

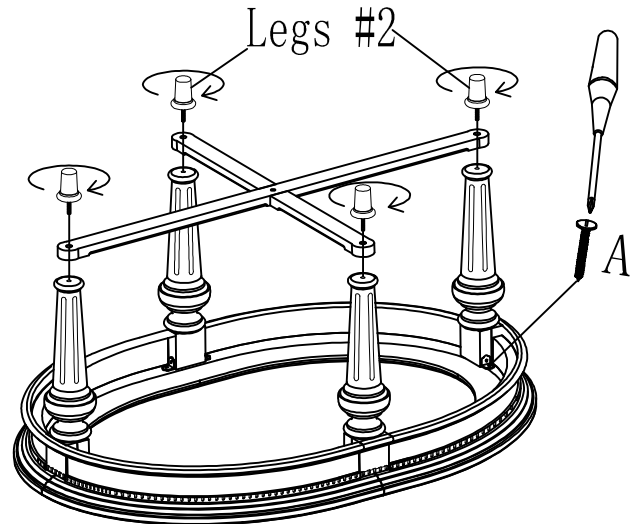
A HOWARD MILLER COMPANY

## ASSEMBLY INSTRUCTIONS

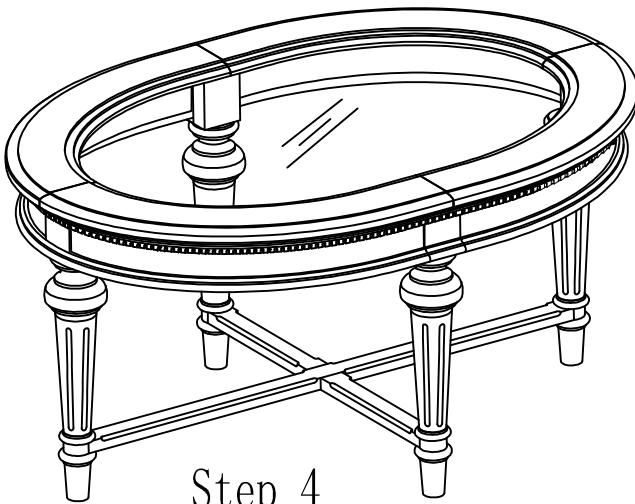
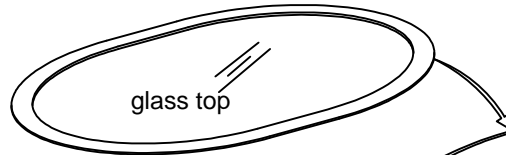
23300- Small Coffee Table



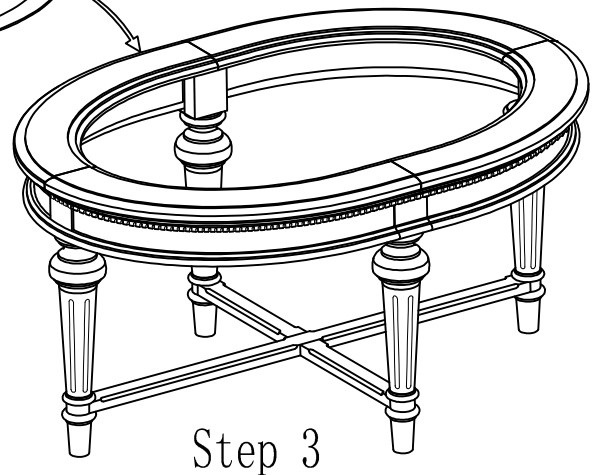
Step 1



Step 2



Step 3



Step 4

Place the small coffee table upside down on soft and clean surface to prevent scratching

Step 1: Attach the legs (#1) to the table top

Step 2: Assemble the X stretcher to 4 legs (#1), assemble legs (#2) by turning clockwise with screw (A).

Step 3: Set the small coffee table upright and put the top glass on the surface frame.

Step 4: Assembly is complete.

MADE IN VIETNAM