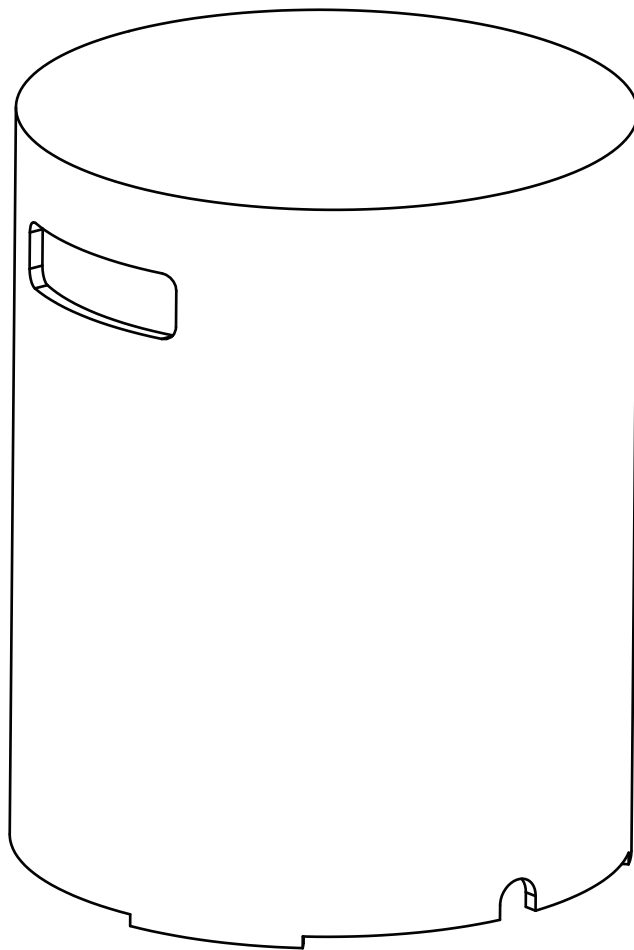


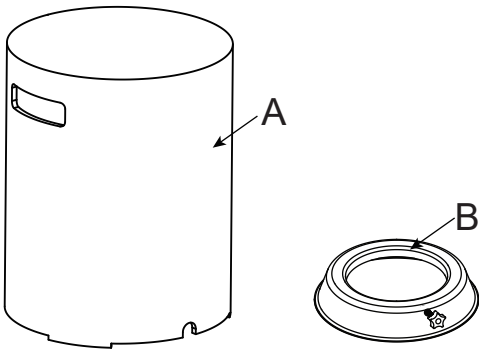
INSTRUCTION MANUAL

Tank Holder

SKU#: N772P289185G/N772P289215B/N772P289217W
N772P293120T/N772P293120W/N772P293120B



PACKAGE CONTENTS



PART	DESCRIPTION	QUANTITY
A	Propane tank cover	1
B	Tank seat	1

before you begin

1. Carefully unpack all parts from the box, compare parts with package contents, make sure all parts are present before beginning assembly of product.
2. If you have any questions or concerns, our trained staff are ready to assist you.

Contact: support@gigacloudtech.com

-1 year limited manufacturer warranty

-Wipe clean with damp cloth

ASSEMBLY INSTRUCTIONS

1. Put the propane cylinder in the tank seat (B), make sure the propane cylinder sits on the tank seat completely (see Figure 1).

NOTE: PROPANE CYLINDER IS NOT INCLUDED.

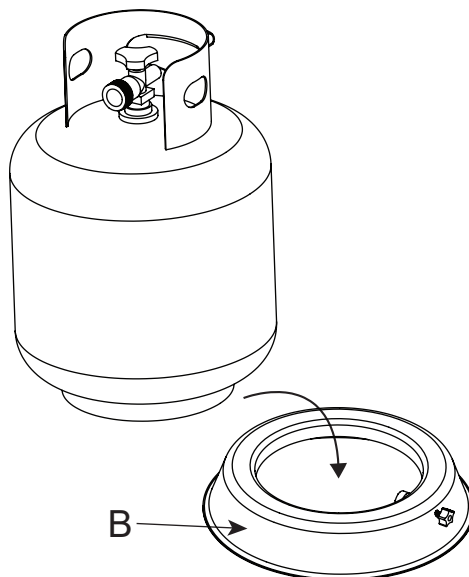


Figure 1

2. Secure the propane cylinder by tightening clockwise the retention point found on the tank seat (B), so that the propane cylinder cannot move from side to side or fall down. (see Figure 2).

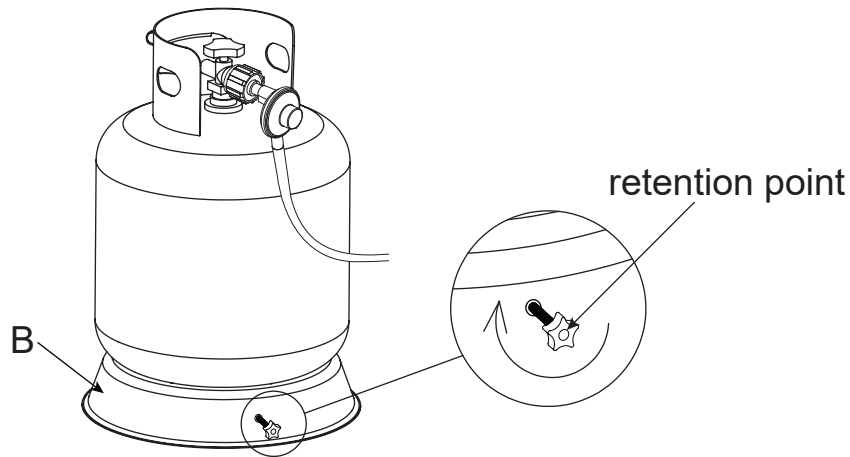


Figure 2

3. Put the propane tank cover (A) onto the tank seat carefully. Make sure the regulator hose routes through the groove hole in the tank cover body (see Figure 3).

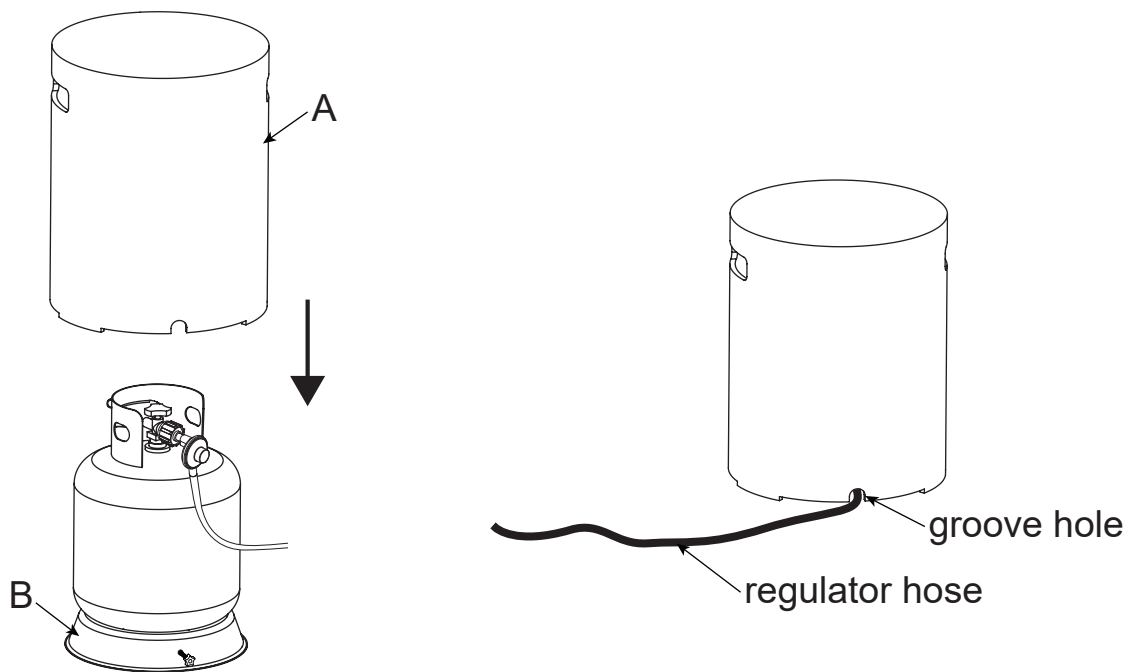


Figure 3

If you have any questions or concerns, our trained staff are ready to assist you. Contact: support@gigacloudtech.com