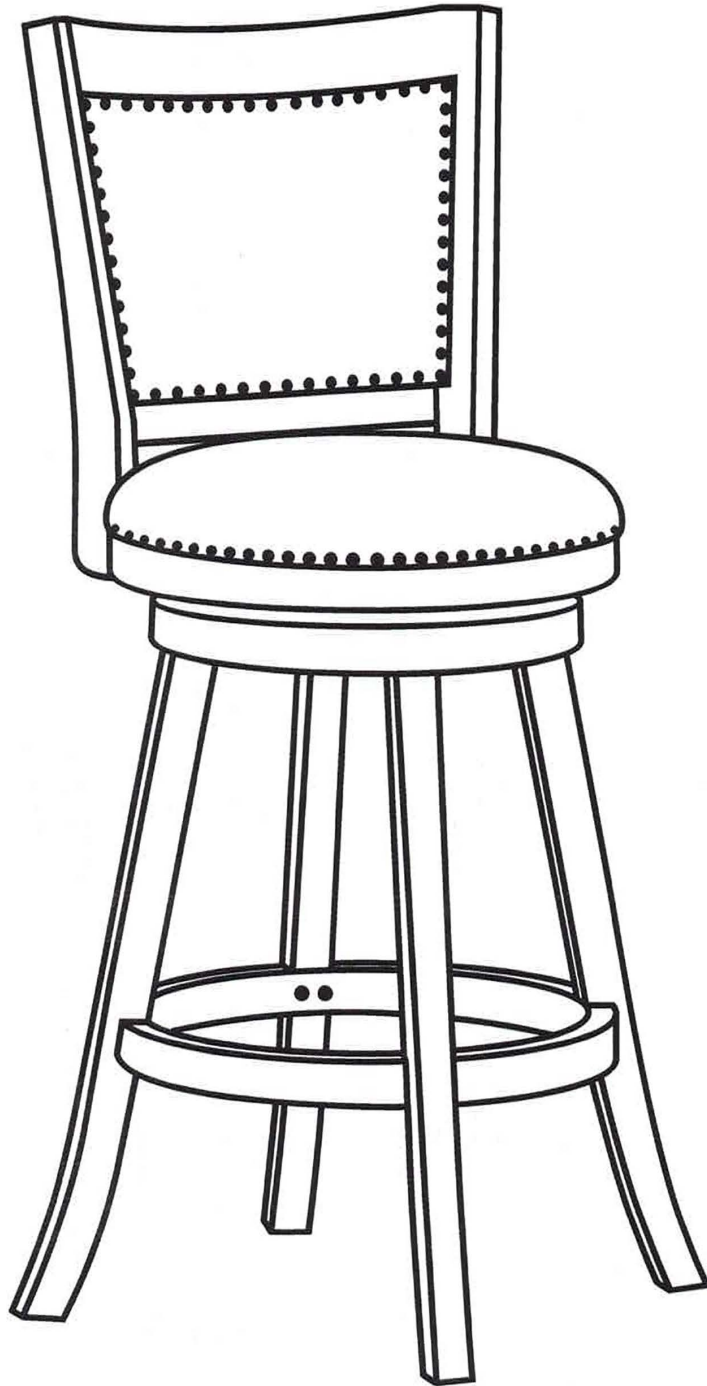
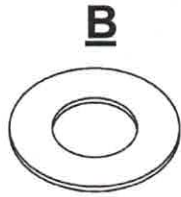


SWIVEL STOOL
ASSEMBLY INSTRUCTIONS

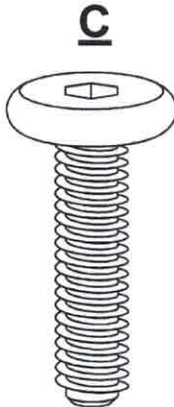




22 PCS



26 PCS



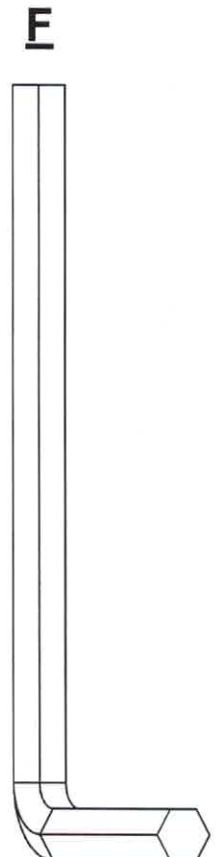
4 PCS



16 PCS

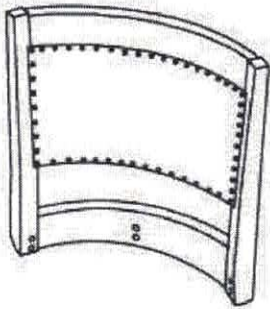


6 PCS

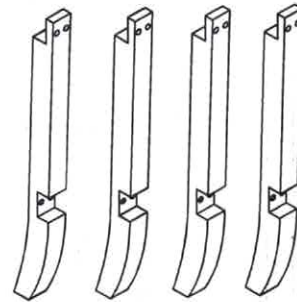


1 PC

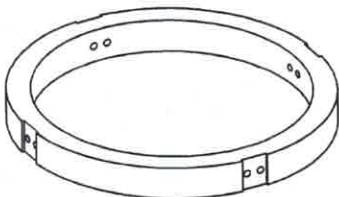
1



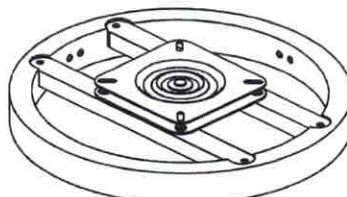
2



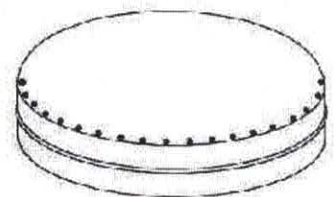
3



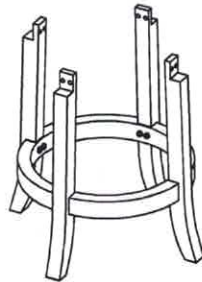
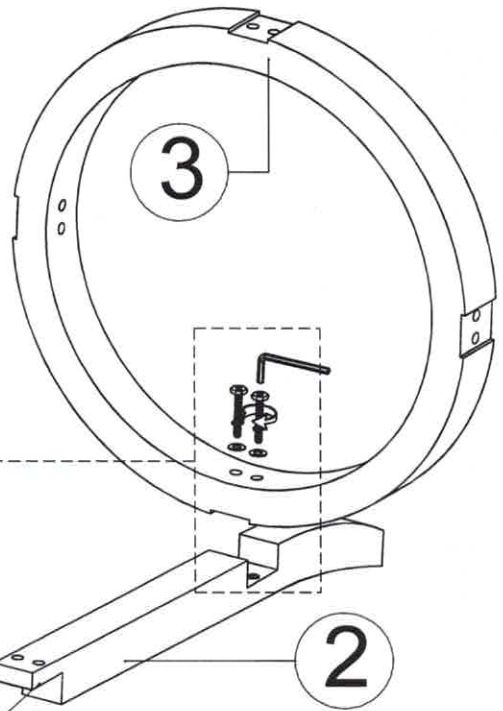
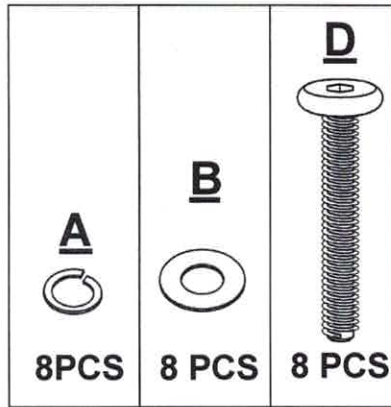
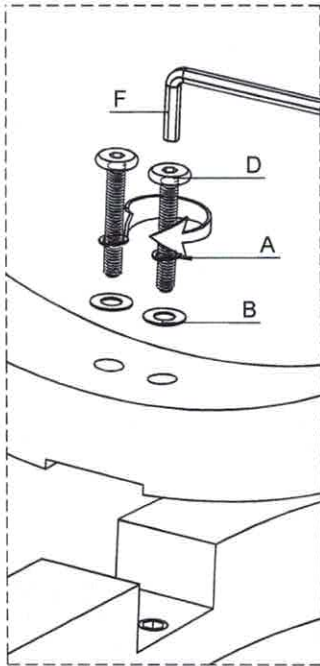
4



5

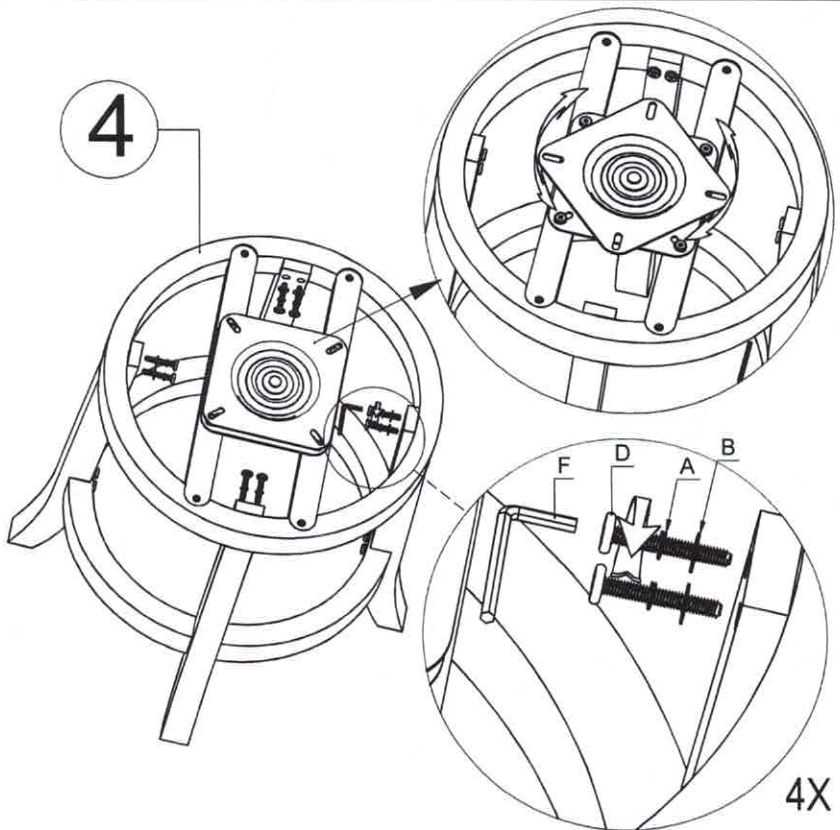
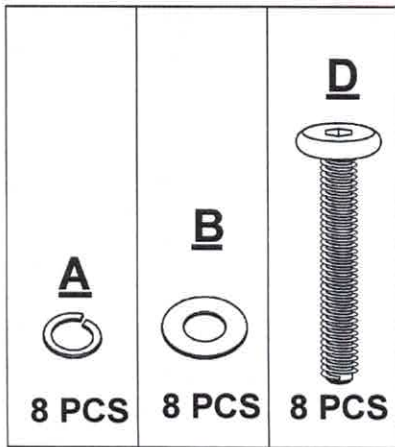


01



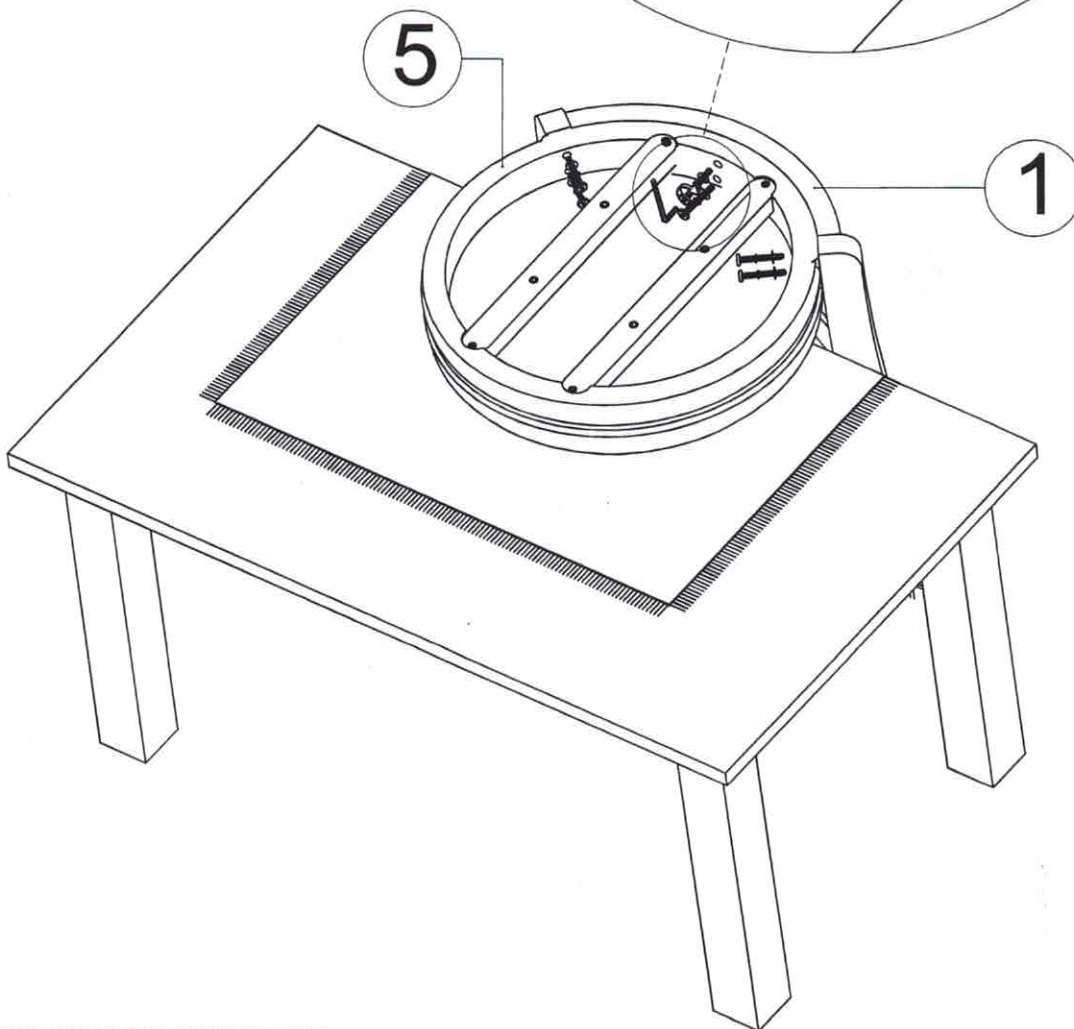
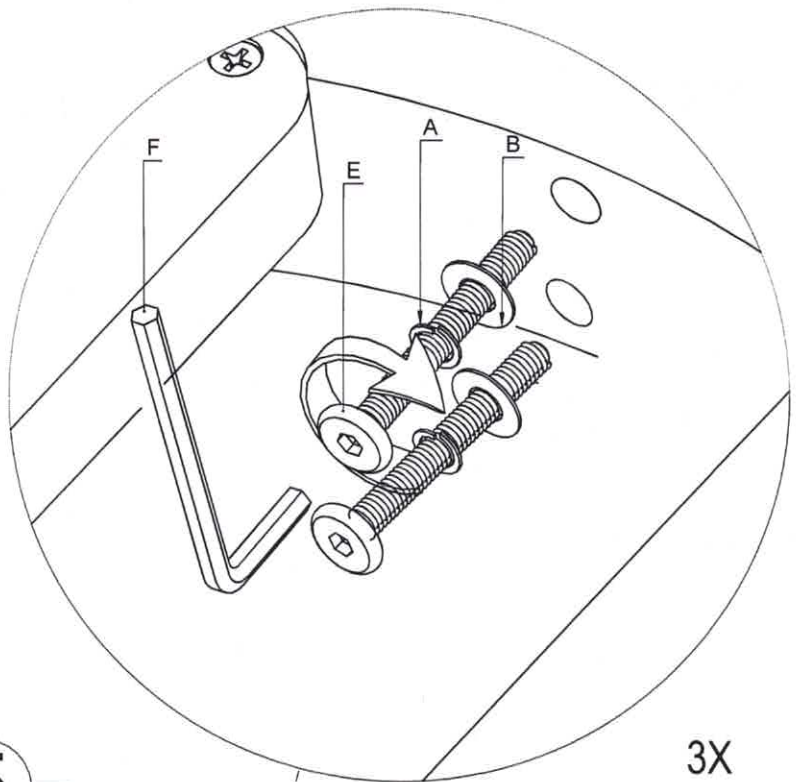
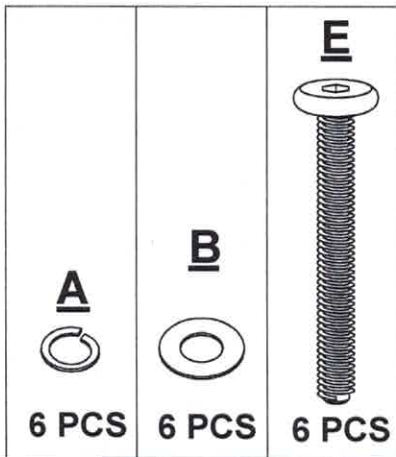
DO NOT TIGHTEN BOLT COMPLETELY.

02



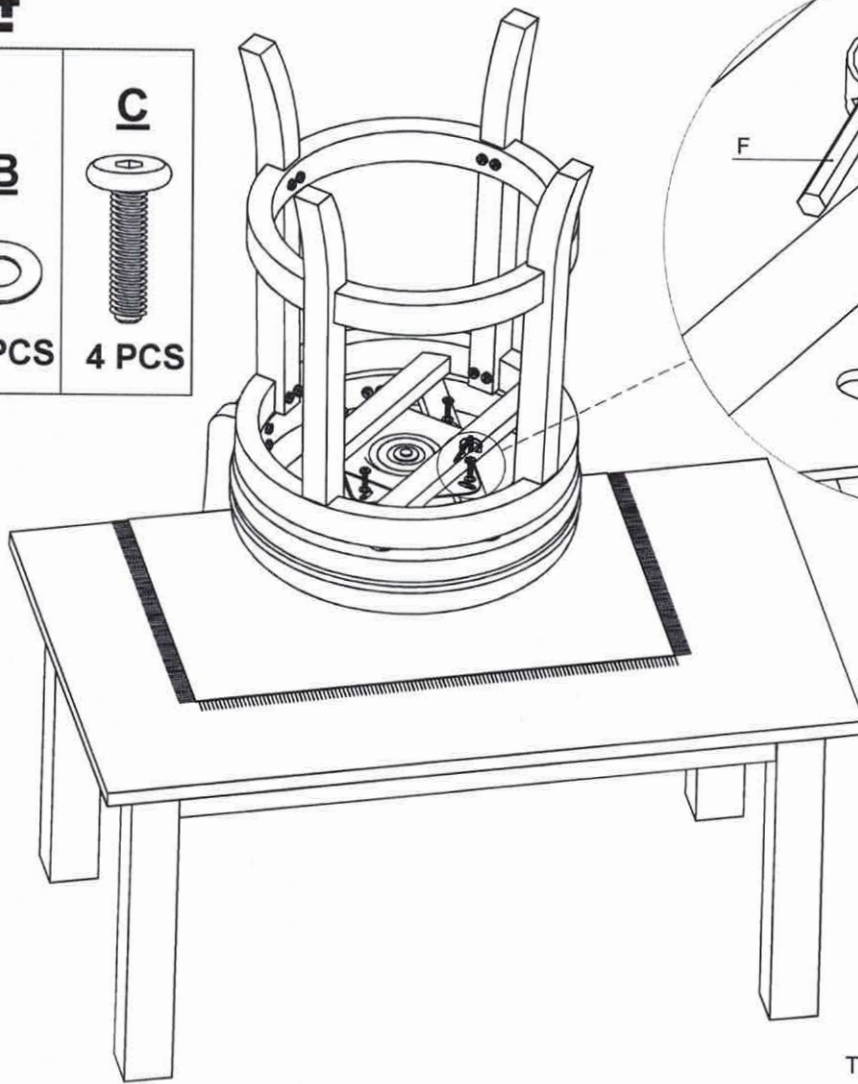
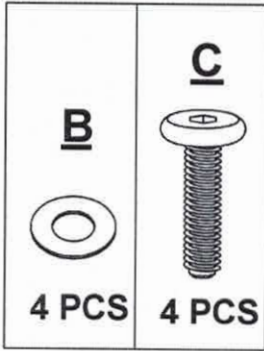
TIGHTEN BOLT COMPLETELY.

03

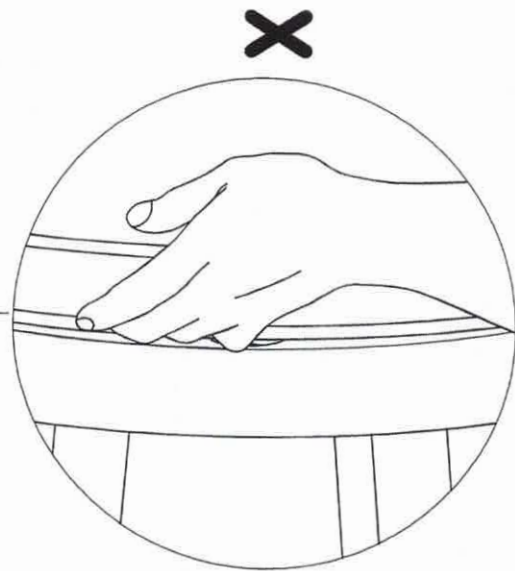
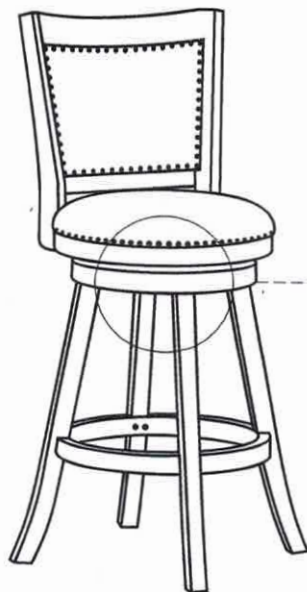


TIGHTEN BOLT COMPLETELY.

04



TIGHTEN BOLT COMPLETELY.



BE SURE TO CHECK ALL BOLTS ARE SECURELY TIGHTENED PRIOR USING THIS STOOL.