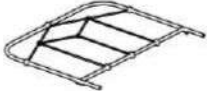




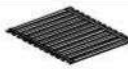

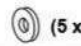
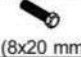





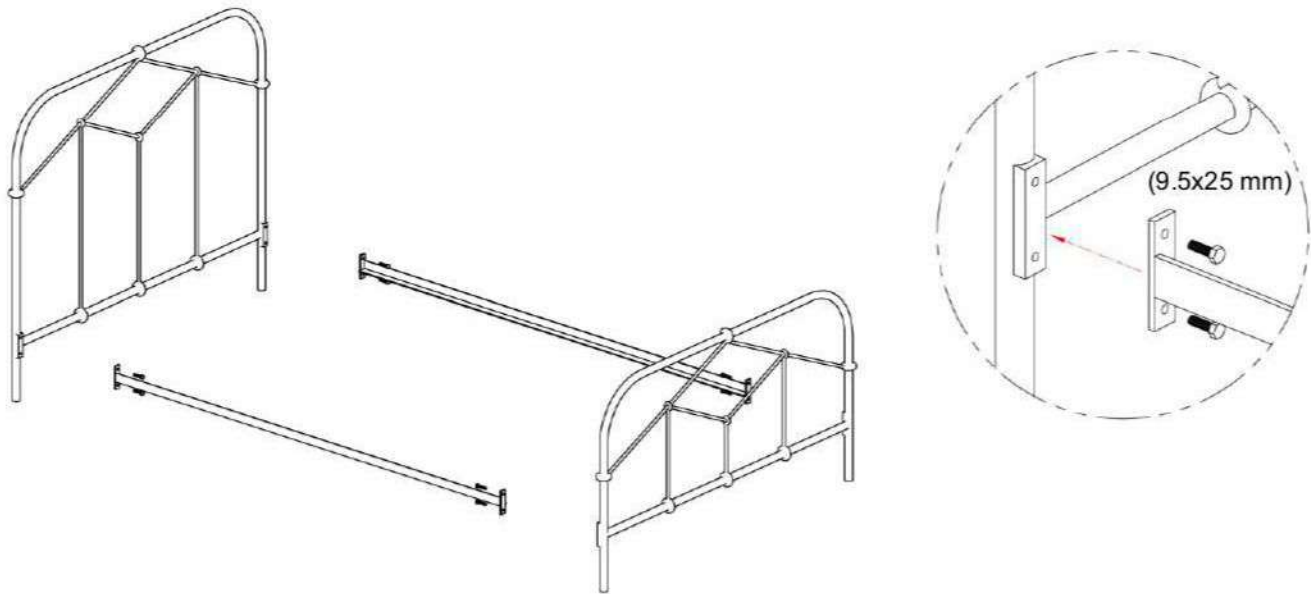


Assembly Instruction  
 Product Description: **TWIN Bed**

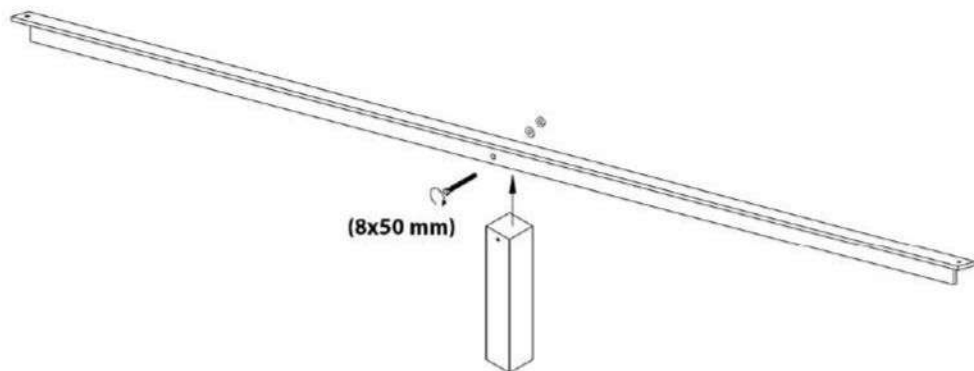
Hardware and Component List:

Hardware/Component List		Qty.	Hardware/Component List		Qty.
	Headboard	1		Footboard	1
	Side Rail	2		Center Support	1
	Center Leg	1		Slats	1
	Bolt	8		Washer	2
	Bolt	2		Nut	1
	Bolt	1		Wrench	1
	Allen Bolt	4		Allen Key	1

1



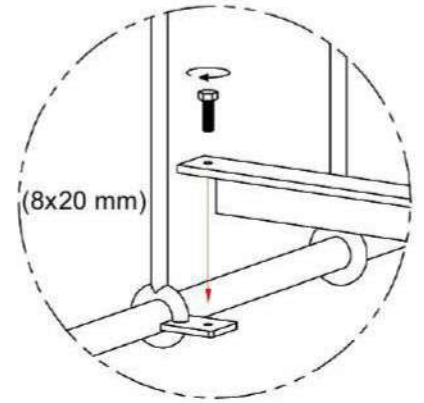
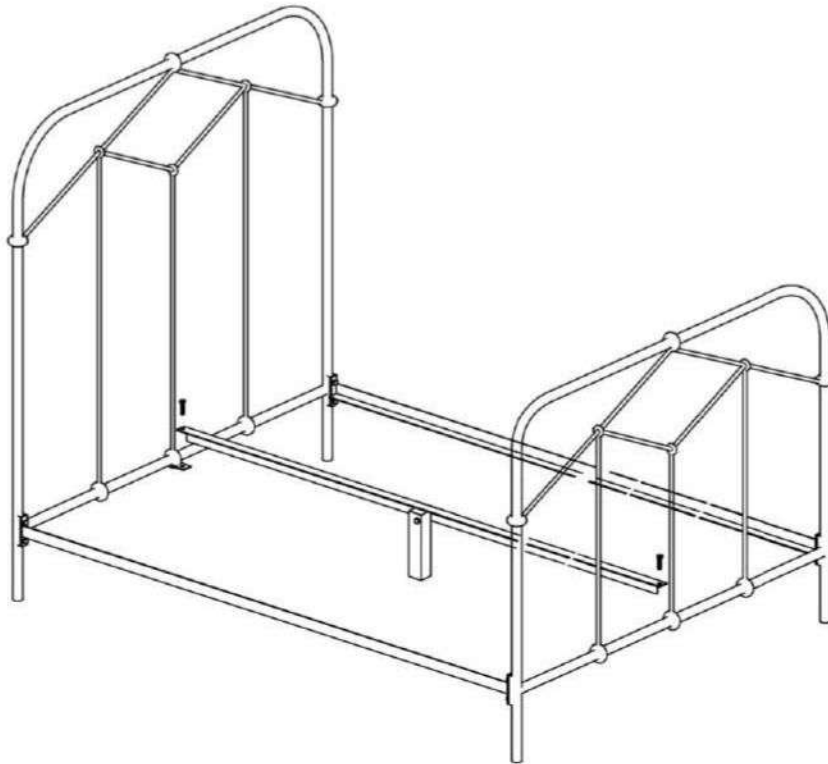
2



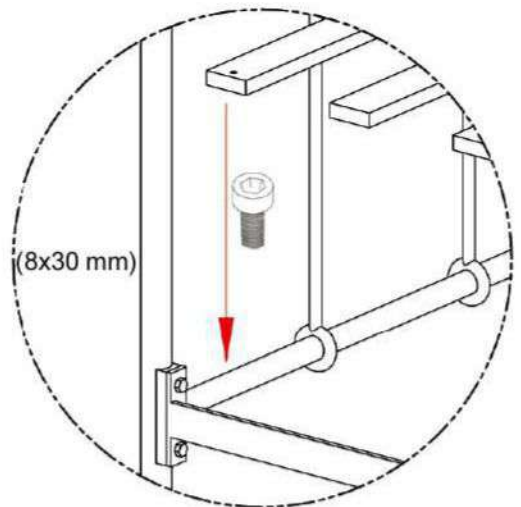
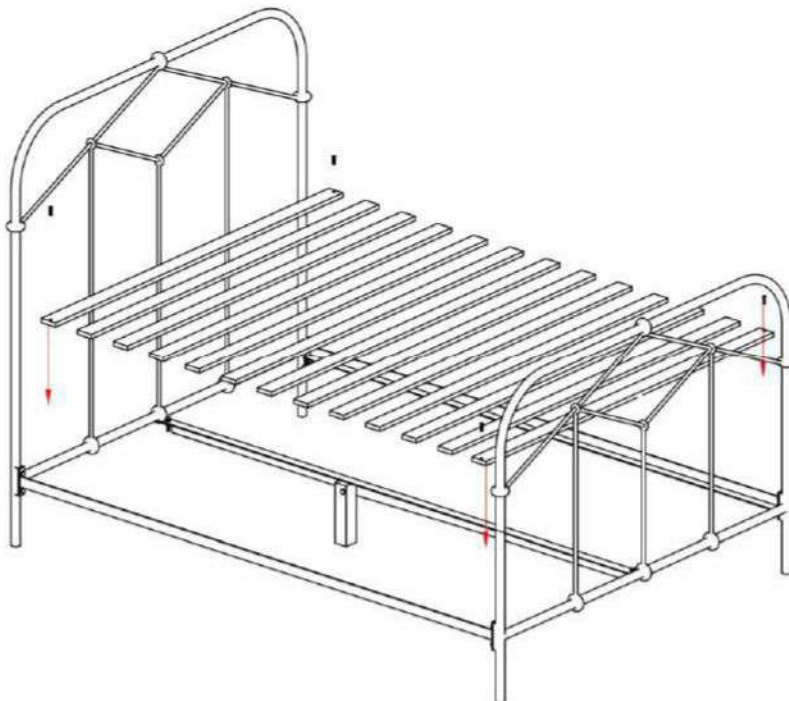
Assembly Instruction  
Product Description:

TWIN Bed

3

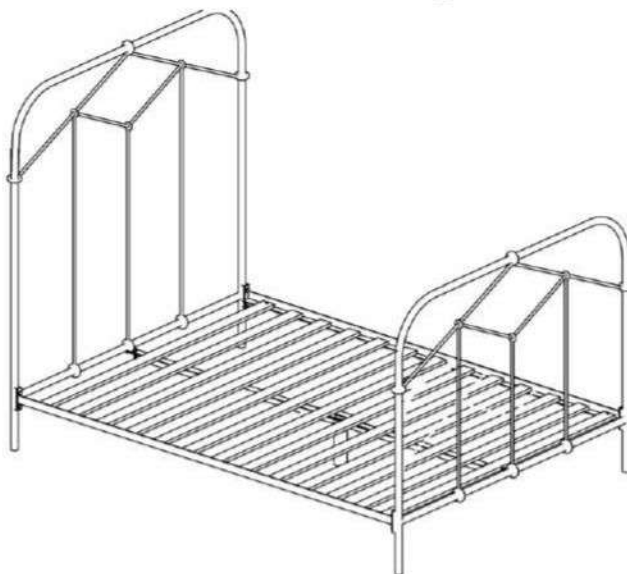
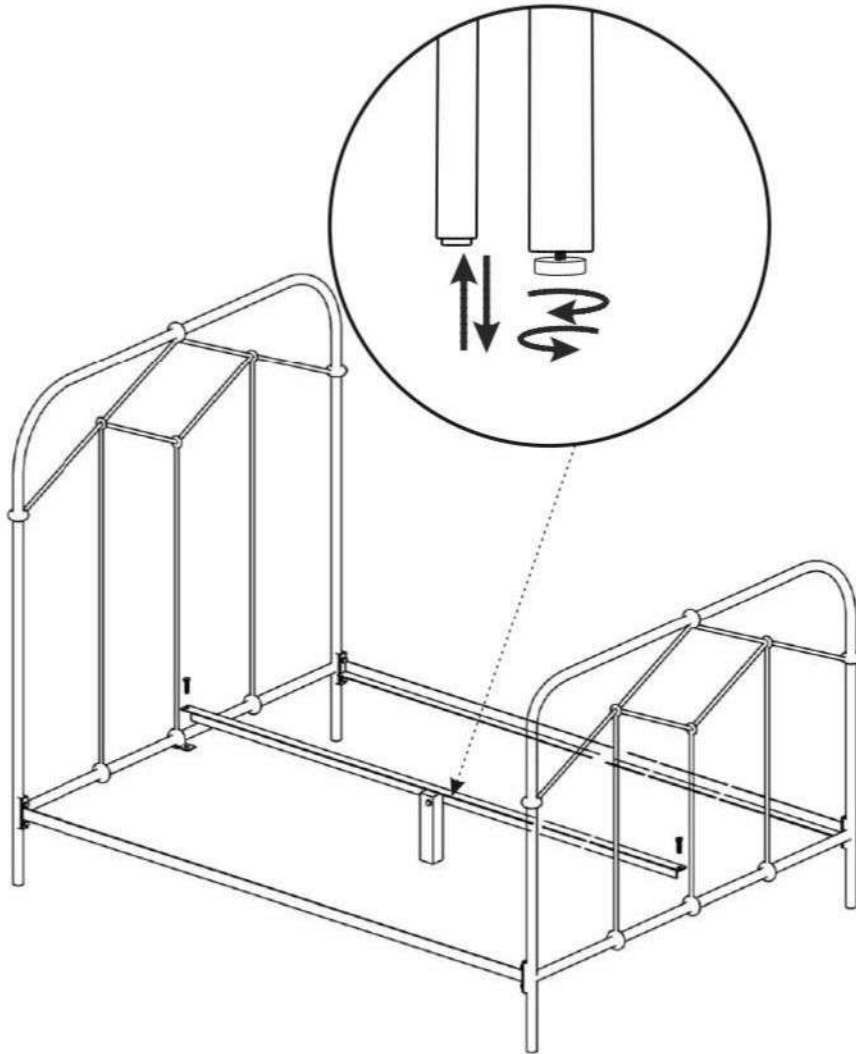


4



5

**Level Adjustment** - In case any Unalinedment , use levelars to adjust the balance of the item.



ASSEMBLED PRODUCT